

IMPORTANT:
Read Before Using

IMPORTANT :
Lire avant usage

IMPORTANTE:
Leer antes de usar

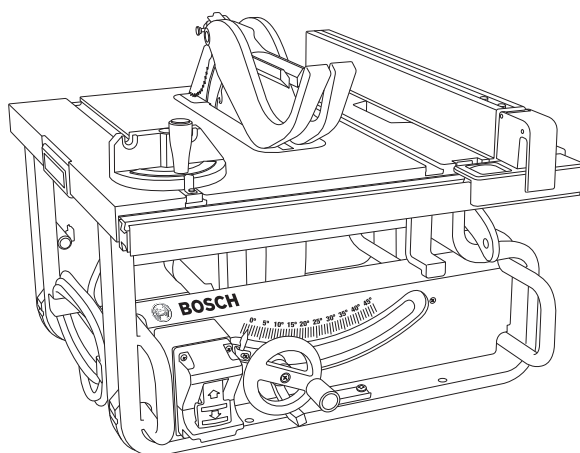


Operating/Safety Instructions

Consignes de fonctionnement/sécurité

Instrucciones de funcionamiento y seguridad

GTS1031



BOSCH

Call Toll Free for Con-
sumer Information
& Service Locations

Pour obtenir des informations
et les adresses de nos centres
de service après-vente,
appelez ce numéro gratuit

Llame gratis para
obtener información
para el consumidor y
ubicaciones de servicio

1-877-BOSCH99 (1-877-267-2499) www.boschtools.com

For English Version
See page 2

Version française
Voir page 37

Versión en español
Ver la página 72

General Safety Rules

WARNING “READ ALL INSTRUCTIONS” Failure to follow the safety rules listed below and other basic safety precautions may result in serious personal injury.

Work Area

KEEP CHILDREN AWAY

Do not let visitors contact tool or extension cord. All visitors should be kept away from work area.

KEEP WORK AREAS CLEAN

Cluttered areas and benches invite accidents.

MAKE WORKSHOP CHILD-PROOF

With padlocks, master switches.

AVOID DANGEROUS ENVIRONMENTS

Don't use power tools in damp or wet locations. Keep work area well lit. Do not expose power tools to rain. Do not use tool in presence of flammable liquids or gases.

Personal Safety

KNOW YOUR POWER TOOL

Read and understand the owner's manual and labels affixed to the tool. Learn its application and limitations as well as the specific potential hazards peculiar to this tool.

DON'T OVERREACH

Keep proper footing and balance at all times.

Stay alert. Watch what you are doing. Use common sense. Do not operate tool when you are tired. Do not operate while under medication or while using alcohol or other drug.

DRESS PROPERLY

Do not wear loose clothing or jewelry. They can be caught in moving parts. Rubber gloves and non-skid footwear are recommended when working outdoors. Wear protective hair covering to contain long hair.

USE SAFETY GOGGLES

Also face or dust mask if cutting operation is dusty, and ear plugs during extended periods of operation.

GUARD AGAINST ELECTRIC SHOCK

Prevent body contact with grounded surfaces. For example: pipes, radiators, ranges, refrigerator enclosures.

DISCONNECT TOOL FROM POWER SOURCE

When not in use, before servicing, when changing blades, bits, cutters, etc.

KEEP GUARDS IN PLACE

In working order, and in proper adjustment and alignment.

REMOVE ADJUSTING KEYS AND WRENCHES

When not in use, before servicing, when changing blades, bits, cutters, etc.

AVOID ACCIDENTAL STARTING

Make sure the switch is in the “OFF” position before plugging in tool.

NEVER STAND ON TOOL OR ITS STAND

Serious injury could occur if the tool is tipped or if the cutting tool is accidentally contacted. Do not store materials on or near the tool such that it is necessary to stand on the tool or its stand to reach them.

CHECK DAMAGED PARTS

Before further use of the tool, a guard or other part that is damaged should be carefully checked to ensure that it will operate properly and perform its intended function. Check for alignment of moving parts, mounting and any other conditions that may affect its operation. A guard or other part that is damaged should be properly replaced.

WARNING All repairs, electrical or mechanical, should be attempted only by trained repairmen. Contact the nearest Bosch Factory Service Center, Authorized Service Station or other competent repair service.

WARNING Use only Bosch replacement parts; any others may create a hazard.

WARNING Use only accessories that are recommended by the manufacturer for your model. Accessories that may be suitable for one tool, may become hazardous when used on another tool.

Tool Use

DON'T FORCE TOOL

It will do the job better and safer at the rate for which it was designed.

USE THE RIGHT TOOL

Don't force small tool or attachment to do the job of a heavy-duty tool. Don't use tool for purpose not intended — for example; don't use circular saw for cutting tree limbs or logs.

SECURE WORK

Use clamps or a vise to hold work. It's safer than using your hand and it frees both hands to operate the tool.

“SAVE THESE INSTRUCTIONS”

Additional Safety Rules

DIRECTION OF FEED

Feed work into a blade or cutter against the direction of rotation of the blade or cutter only.

NEVER LEAVE TOOL RUNNING UNATTENDED

Turn power off. Don't leave tool until it comes to a complete stop.

Tool Care

DO NOT ALTER OR MISUSE TOOL

These tools are precision built. Any alteration or modification not specified is misuse and may result in dangerous conditions.

AVOID GASEOUS AREAS

Do not operate electric tools in gaseous or explosive atmospheres. Motors in these tools normally spark, and may result in a dangerous condition.

MAINTAIN TOOLS WITH CARE

Keep tools sharp and clean for better and safer performance. Follow instructions for lubricating and changing accessories. Inspect tool cords periodically and if damaged, have repaired by authorized service facility. Inspect extension cords periodically and replace if damaged. Keep handles dry, clean and free from oil and grease.

▲ WARNING Before connecting the tool to a power source (receptacle, outlet, etc.), be sure voltage supplied is the same as that specified on the nameplate of the tool. A power source with voltage greater than that specified for the tool can result in serious injury to the user — as well as damage to the tool. If in doubt, **DO NOT PLUG IN THE TOOL**. Using a power source with voltage less than the nameplate rating is harmful to the motor.

▲ WARNING For your own safety, do not operate your table saw until it is completely assembled and installed according to the instructions ... and until you have read and understood the following:

1. General Safety Rules 2–5
2. Double Insulated Tools 6
3. Getting To Know Your Table Saw 9, 10
4. Assembly 12–16
5. Adjustments 17–21
6. Basic Table Saw Operation 22–34
7. Maintaining Your Table Saw 34–35

7. STABILITY OF SAW

Your table saw **MUST BE BOLTED** securely to a stand or workbench. In addition, if there is any tendency for the table saw to tip over or move during certain operations such as cutting long, heavy boards, use an auxiliary support.

8. LOCATION

Use the table saw in a well lit area and on a level surface, clean and smooth enough to reduce the risk of trips and falls. Use it where neither the operator nor the casual observer is forced to stand in line with the blade.

9. KICKBACK

Kickbacks can cause serious injury: A “KICKBACK” occurs when a part of the workpiece binds between the sawblade and the rip fence or other fixed object. Workpiece binding the blade due to misalignment, can also cause kickback. During kickback, workpiece rises from table and is thrown toward the operator. Keep your face and body to one side of the sawblade, out of line with a possible “KICKBACK”.

KICKBACKS AND POSSIBLE INJURY CAN USUALLY BE AVOIDED BY:

- a. Maintaining the rip fence parallel to the sawblade.
- b. Keeping the sawblade sharp. Replacing or sharpening anti-kickback pawls when points become dull.
- c. Keeping sawblade guard, spreader and anti-kickback pawls in place and operating properly. The spreader must be in alignment with the sawblade and the pawls must stop a kickback once it has started. Check their action before ripping.
- d. NOT ripping workpiece that is twisted or warped or does not have a straight edge to guide along the rip fence.
- e. NOT releasing work until you have pushed it all the way past the sawblade.
- f. Using a Push Stick for ripping widths of 2" to 6" and an auxiliary fence and Push Block for ripping widths narrower than 2" (See “Basic Saw Operation, Using The Rip Fence” section, pages 29, 30).
- g. NOT confining the cut-off piece when ripping or crosscutting.
- h. When ripping, apply the feed force to the section of the workpiece between the sawblade and the rip fence. Use Push Stick or Push Block when appropriate (See item f. above).

“SAVE THESE INSTRUCTIONS”

Additional Safety Rules

10. PROTECTION:

Eyes, hands, face, ears and body.

▲ WARNING TO AVOID BEING PULLED INTO THE SPINNING TOOL,

DO NOT WEAR: Loose Fitting Gloves

Loose Clothing

Necktie, Jewelry

DO: TIE BACK LONG HAIR

ROLL LONG SLEEVES ABOVE ELBOWS

a. If any part of your saw is missing, malfunctioning, has been damaged or broken ... such as the motor switch, or other operating control, a safety device or the power cord ... cease operating immediately until the particular part is properly repaired or replaced.

b. Wear safety goggles and a face shield if operation is dusty. Wear ear plugs or muffs during extended periods of operation. Small loose pieces of wood or other objects that contact the rear of the revolving blade can be thrown back at the operator at excessive speed. This can usually be avoided by keeping the guard and spreader in place for all "THRU-SAWING" operations (sawing entirely thru the work) AND by removing all loose pieces from the table with a long stick of wood IMMEDIATELY after they are cut off.

c. Use extra caution when the guard assembly is removed for resawing, dadoing, rabbeting or molding — replace the guard as soon as that operation is completed.

d. NEVER turn the saw "ON" before clearing the table of all tools, wood scraps, etc., except the workpiece and related feed or support devices for the operation planned.

e. NEVER place your face or body in line with the cutting tool.

- NEVER place your fingers and hands in the path of the sawblade or other cutting tool.

- NEVER reach in back of the cutting tool with either hand to hold down or support the workpiece, remove wood scraps, or for any other reason. Avoid awkward operations and hand positions where sudden slip could cause fingers or hand to move into a sawblade or other cutting tool.

- DO NOT perform any operation "FREEHAND" — always use either the rip fence or the miter gauge to position and guide the work.

- NEVER use the rip fence when crosscutting or the miter gauge when ripping. DO NOT use the rip fence as a length stop.

- NEVER hold onto or touch the "free end" of the workpiece or a "free piece" that is cut off, while power is "ON" and/or the sawblade is rotating.

- Shut "OFF" the saw and disconnect the power cord when removing the table insert, changing the cutting tool, removing or replacing the blade guard, or making adjustments.

- Provide adequate support to the rear and sides of the saw table for wider or long workpieces.

- Plastic and composition (like hardboard) materials may be cut on your saw. However, since these are usually quite hard and slippery, the anti-kickback pawls may not stop a kickback. Therefore, be especially attentive to following proper set-up and cutting procedures for ripping. Do not stand, or permit anyone else to stand, in line with a potential kickback.

f. If you stall or jam the sawblade in the workpiece, turn saw "OFF", remove the workpiece from the sawblade, and check to see if the sawblade is parallel to the table slots or grooves and if the spreader is in proper alignment with the sawblade. If ripping at the time, check to see if rip fence is parallel with the sawblade. Readjust as indicated.

g. NEVER gang crosscut — lining up more than one workpiece in front of the blade (stacked vertically, or horizontally outward on the table) and then pushing thru sawblade. The blade could pick up one or more pieces and cause a binding or loss of control and possible injury.

h. DO NOT remove small pieces of cut-off material that may become trapped inside the blade guard while the saw is running. This could endanger your hands or cause a kickback. Turn saw "OFF" and wait until blade stops.

i. Do not reach beyond table saw base. Keep your hands away from spinning blade.

11. KNOW YOUR CUTTING TOOLS

Dull, gummy or improperly sharpened or set cutting tools can cause material to stick, jam, stall the saw, or kickback at the operator. Minimize potential injury by proper cutting tool and machine maintenance. NEVER ATTEMPT TO FREE A STALLED SAWBLADE WITHOUT FIRST TURNING THE SAW OFF.

"SAVE THESE INSTRUCTIONS"

Additional Safety Rules

a. NEVER use grinding wheels, abrasive cut-off wheels, friction wheels (metal slitting blades) wire wheels or buffing wheels.

b. USE ONLY RECOMMENDED ACCESSORIES.

c. Crosscutting operations are more conveniently worked and with greater safety if an auxiliary wood facing is attached to the miter gauge. (See Page 26).

d. Make sure the top of the cutting tool rotates toward you when standing in normal operating position. Also make sure the cutting tool, arbor collars and arbor nut are installed properly. Keep the cutting tool as low as possible for the operation being performed. Keep all guards in place whenever possible.

• Do not use any blade or other cutting tool marked for an operating speed less than 5000 R.P.M. Never use a cutting tool larger in diameter than the diameter for which the saw was designed. For greatest safety and efficiency when ripping, use the maximum diameter blade for which the saw is designed, since under these conditions the spreader is nearest the blade.

e. Make sure the table insert is flush or slightly below the table surface on all sides except for rear side. NEVER operate the saw unless the proper insert is installed.

12. THINK SAFETY

SAFETY IS A COMBINATION OF OPERATOR COMMON SENSE AND ALERTNESS AT ALL TIMES WHEN THE TABLE SAW IS BEING USED.

Do not allow familiarity (gained from frequent use of

WARNING your table saw) to become commonplace. Always remember that a careless fraction of a second is sufficient to inflict severe injury.



comply with ANSI Z87.1 (shown on package) before commencing power tool operation.

The operation of any power tool can result in foreign objects being thrown into the eyes, which can result in severe eye damage. Always wear safety goggles that comply

WARNING Some dust created by power sanding, sawing, grinding, drilling, and other construction activities contains chemicals known to cause cancer, birth defects or other reproductive harm. Some examples of these chemicals are:

- Lead from lead-based paints,
- Crystalline silica from bricks and cement and other masonry products, and
- Arsenic and chromium from chemically treated lumber.

Your risk from these exposures varies, depending on how often you do this type of work. To reduce your exposure to these chemicals: work in a well ventilated area, and work with approved safety equipment, such as those dust masks that are specially designed to filter out microscopic particles.

NOTE AND FOLLOW SAFETY INSTRUCTIONS THAT APPEAR ON THE FRONT OF YOUR TABLE SAW.


WARNING For Your Own Safety - Read and Understand owner's manual before operating saw.

- Wear eye protection, earplugs and dust mask as needed. Know how to shut off tool in an emergency.
- Before starting any "thru-cutting" make sure:
 - blade guards are not locked in the "up" position, can freely move up and down and are resting on the table
 - riving knife is in the full "up" position
 - anti-kickback pawls are attached
 - depth of cut is adjusted just above workpiece thickness.
- When ripping:
 - push the workpiece only on the fence side of the blade
 - never place your non-pushing hand on the workpiece beyond the mid-point of the blade
 - fence must be parallel to blade
 - bevel cuts, use the fence only on right side of blade
 - use "Push-Stick" or "Push Block" on narrow workpieces.
- Know how to avoid risk of "Kickback". Do not press workpiece against side of spinning blade.
- Do not stand in front of spinning saw blade. Keep your body and hands to either side of blade. Never reach around or over saw blade.

- Do not reach beyond table saw base. Keep your hands away from spinning blade.
- Disconnect saw from power source before servicing or changing blade. No adjustment should be made until the tool has been stopped.
- Do not allow loose cut-off pieces to be wedged between spinning blade and fence.
- Never remove jammed or cut off pieces until blade has stopped.
- Never make cuts using the miter gauge together with fence.
- Do not perform any operation "Freehand".
- Use miter gauge for crosscutting. When miter gauge is set past 45°, the wood may force the guard into blade.
- Before "non-thru cutting", remove the guard, anti-kickback pawls, and adjust the riving knife to the position just below the height of the saw blade. For "dado-cutting", the riving knife must be set to the lowest position.
- Support wide or long workpieces with auxiliary stands.
- Securely fasten tool base to stable platform or workbench.
- Keep saw interior free of sawdust buildup to avoid fire hazard.
- When servicing, use only identical replacement parts.
- Do not expose to rain or use in damp locations.

"SAVE THESE INSTRUCTIONS"

Double Insulated Tools

Double insulation  is a design concept used in electric power tools which eliminates the need for the three wire grounded power cord and grounded power supply system. It is a recognized and approved system by Underwriter's Laboratories, CSA and Federal OSHA authorities.

IMPORTANT: Servicing of a tool with double insulation requires care and knowledge of the system and should be performed only by a qualified service technician.

WHEN SERVICING, USE ONLY IDENTICAL REPLACEMENT PARTS.

POLARIZED PLUGS. To reduce the risk of electrical shock, your tool is equipped with a polarized plug (one blade is wider than the other), this plug will fit in a polarized outlet only one way. If the plug does not fit fully in the outlet, reverse the plug. If it still does not fit, contact a qualified electrician to install the proper outlet. To reduce the risk of electrical shock, do not change the plug in any way.

EXTENSION CORDS

⚠ WARNING Replace damaged cords immediately. Use of damaged cords can shock, burn or electrocute.

⚠ WARNING If an extension cord is necessary, a cord with adequate size conductors should be used to prevent excessive voltage drop, loss of power or overheating. The table shows the correct size to use, depending on cord length and nameplate amperage rating of tool. If in doubt, use the next heavier gauge. Always use U.L. and CSA listed extension cords.

RECOMMENDED SIZES OF EXTENSION CORDS 120 VOLT ALTERNATING CURRENT TOOLS

Tool's Ampere Rating	Cord Size in A.W.G.				Wire Sizes in mm ²			
	Cord Length in Feet				Cord Length in Meters			
	25	50	100	150	15	30	60	120
3-6	18	16	16	14	0.75	0.75	1.5	2.5
6-8	18	16	14	12	0.75	1.0	2.5	4.0
8-10	18	16	14	12	0.75	1.0	2.5	4.0
10-12	16	16	14	12	1.0	2.5	4.0	—
12-16	14	12	—	—	—	—	—	—

NOTE: The smaller the gauge number, the heavier the cord.

“SAVE THESE INSTRUCTIONS”

Table of Contents

	Page		Page
General Safety Rules	2	Table Insert	9
Additional Safety Rules	3-5	Table	10
Double Insulated Tools & Extension Cords	6	Miter Gauge	10
Table of Contents	6-7	Cord Wrap	10
Glossary of Terms	7-8	Rip Fence Storage	10
Tools Needed For Assembly	8	Push Stick & Wrench Storage	10
Getting To Know Your Table Saw	9, 10	One-Handed Carry Handle	10
Power Switch	9	Smart Guard System Storage	10
Elevation Wheel	9	Dust Port/Vacuum Hook-Up	10
Blade Bevel Lock Handle	9	Anti-Kickback Device Storage	10
Blade Bevel Scale	9	Miter Gauge Storage	10
Base	9	Hex Wrench & Storage compartment	10
Table Extension Lock Handle	9	Stand Attachment Bracket	10
Push Stick	9	Unpacking and Checking Contents	11
Table Extension	9	Table of Loose Parts	11
Rip Fence	9	Assembly	12-16
Rip Fence Scale	9	Attaching Smart Guard	
Smart Guard System	9	System Components	12, 13

	Page		Page
Changing The Blade	14-15	Using Table Pointer	.24
Attaching The Rip Fence for Use & Storage	.16	Work Helpers	.25
Mounting Table Saw to Workbench	.16	Using the Miter Gauge	.26
Adjustments	.17-21	Crosscutting	.27
Adjusting 0 & 45 Degree Positive Stops	.17	Repetitive Crosscutting	.28
Adjusting Blade Parallel to the Slot Miter Gauge	.18	Miter Cutting	.28
Aligning Rip Fence	.19	Bevel Crosscutting	.28
Rip Fence Pointer Adjustment	.19	Compound Miter Cutting	.28
Table Pointer Adjustment	.20	Using the Rip Fence	.29, 31
Adjusting Riving Knife	.20-21	Ripping	.30
Adjusting Table insert	.21	Non Thru-Sawing	.31
Basic Table Saw Operation	.22-34	Rabbeting	.31
Safety Power Switch	.22	Dadoing Cutting	.32-33
Smart Guard System	.22, 23	Maintaining Your Table Saw	.34
Blade Bevel Control	.24	Clearing Dust Chute/ Scoop	.34
Extending Table Extension	.24	Lubrication	.35
Using Rip Fence Pointer	.24	Accessories	.35
		Trouble Shooting	.36

Glossary of Terms

WORKPIECE

The item on which the cutting operation is being performed. The surfaces of a workpiece are commonly referred to as faces, ends and edges.

ANTI-KICKBACK PAWLS

Device which, when properly maintained, is designed to stop the workpiece from being kicked back at the operator during operation.

ARBOR

The shaft on which a cutting tool is mounted.

BEVEL

Blade angle relative to the table surface.

CROSSCUT

A cutting or shaping operation made across the width of the workpiece cutting the workpiece to length.

DADO

A non-through cut which produces a square sided notch or trough in the workpiece.

FEATHERBOARD

A device which can help guide workpieces during rip type operation by keeping workpiece in contact with

the rip fence. It also helps prevent kickback.

FREEHAND

Performing a cut without a fence, miter gauge, fixture, hold down or other proper device to keep the workpiece from twisting during the cut.

GUM

A sticky, sap-based residue from wood products. After it has hardened, it is referred to as "RESIN".

HEEL

Misalignment of the blade which causes the trailing or outfeed side of the blade to contact the cut surface of the workpiece. Heel can cause kickback, binding, excessive force, burning of the workpiece or splintering. In general, heel creates a poor quality cut and can be a safety hazard.

KERF

The space in the workpiece where the material was removed by the blade.

KICKBACK

An uncontrolled grabbing and throwing of the workpiece back toward the front of the saw during a rip type operation.

LEADING END

The end of the workpiece which, during a rip type operation, is pushed into the cutting tool first.

MOLDING

A non-through cut which produces a special shape in the workpiece used for joining or decoration.

NON THRU-SAWING

Any cutting operation where the blade does not extend through the workpiece (e.g. Dado, Rabbet).

PUSH STICK

A device used to feed the workpiece through the saw during narrow ripping-type operation and helps keep the operator's hands well away from the blade. Use the Push Stick for rip widths less than 6 inches and more than 2 inches.

PUSH BLOCK

A device used for ripping-type operations too narrow to allow use of a Push Stick. Use a Push Block for rip widths less than 2 inches.

RABBET

A notch in the edge of a workpiece. Also called an edge dado.

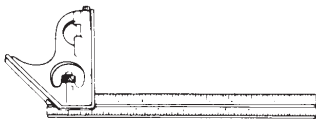
RIPPING

A cutting operation along the length of the workpiece cutting the workpiece to width.

REVOLUTIONS PER MINUTE (R.P.M.)

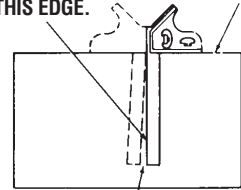
The number of turns completed by a spinning object in one minute.

Tools Needed For Assembly And Adjustment



COMBINATION SQUARE MUST BE TRUE

**STRAIGHT EDGE OF BOARD
3/4" THICK. THIS EDGE
MUST BE PERFECTLY
STRAIGHT.**
**DRAW LIGHT LINE ON
BOARD ALONG THIS EDGE.**



**SHOULD BE NO GAP OR OVERLAP
HERE WHEN SQUARE IS FLIPPED
OVER IN DOTTED POSITION.**

⚠ WARNING Disconnect plug from power source before performing any assembly, adjustment or repair to avoid possible injury.

Getting To Know Your Table Saw

1. POWER SWITCH

Switch incorporates hole for use with padlock to prevent accidental starting.

2. ELEVATION WHEEL

Elevates or lowers the blade. Also used to tilt the blade 0 to 45 degrees.

3. BLADE BEVEL LOCK HANDLE

Locks the blade to desired bevel angle.

4. BLADE BEVEL SCALE

Shows the degree the blade is tilted.

5. BASE

Supports table saw. Holes are provided in base to bolt the saw to a workbench or stand. Includes integrated carry and adjustment handles.

6. TABLE EXTENSION LOCK HANDLE

Allows you to lock the table extension at desired distances. Also prevents use of table saw with unlocked extension.

7. PUSH STICK

Allows you to rip smaller pieces of stock with a greater level of safety.

8. TABLE EXTENSION

Provides a larger work surface for wider workpieces.

9. RIP FENCE

Exclusive Self-Aligning, Squarelock rip fence can be easily moved or locked in place by simply raising or lowering lock handle.

10. RIP FENCE SCALE

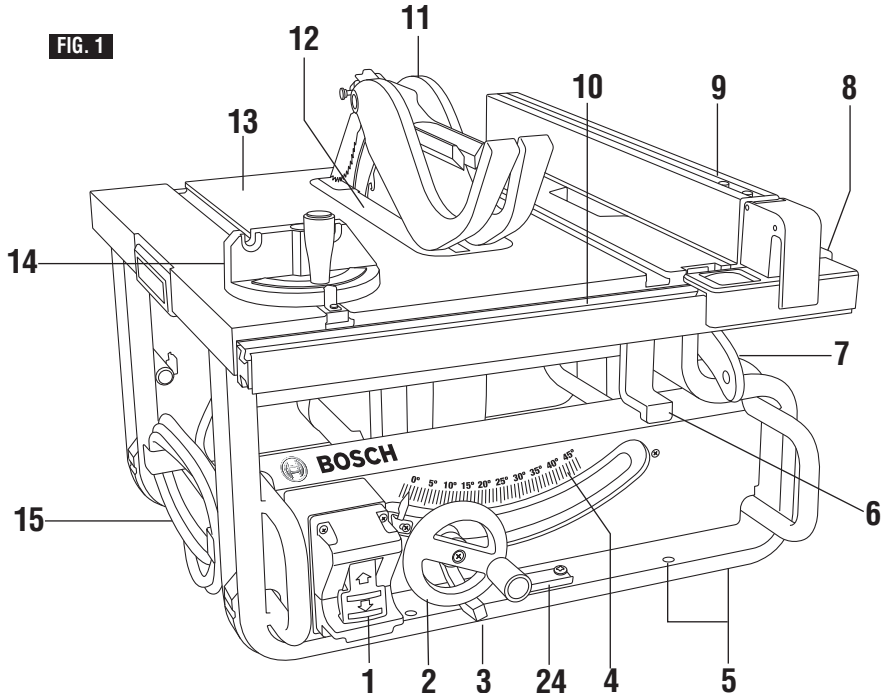
Shows the distance from the blade to rip fence through a convenient viewing and magnifying window. Lower portion of scale can be used up to 10 inches. Upper portion of scale is used for cuts beyond 10 inches.

11. SMART GUARD SYSTEM

Consists of three key elements: Adjustable (3 position) Riving Knife, Anti-Kickback Device, and Barrier Guard Device. All of these are part of a modular system that requires no tools to assemble or unassemble. This Guard System must always be in place and working properly for all thru-sawing cuts.

12. TABLE INSERT

Removable for removing or installing blade or other cutting tools.



Getting To Know Your Table Saw

13. TABLE

Provides large working surface to support work-piece.

14. MITER GAUGE

Head can be locked in desired position for crosscutting or mitering by tightening the lock knob. **ALWAYS SECURELY LOCK IT WHEN IN USE.**

15. CORD WRAP

Allows you to easily secure the cord so it's out of the way when transporting or storing.

16. RIP FENCE STORAGE

Conveniently stores rip fence when not in use.

17. PUSH STICK & WRENCH STORAGE

Allows you to store Push-stick and arbor wrenches (2).

18. ONE-HANDED CARRY HANDLE

Optimized position to carry tool at side with one hand.

19. SMART GUARD SYSTEM STORAGE

When not in use, the Main Barrier Guard Device can be stored on the right side of the saw, underneath the table. The Anti-kickback Device stores just above the Dust Chute on the back of the tool.

20. DUST PORT/VACUUM HOOK-UP

Removable; to clear large pieces of wood trapped inside. Always check to ensure dust port is securely

fastened to table saw before use. Attach 2-1/4" vacuum hose into dust port for convenient sawdust removal. An adaptor is available for use with alternate hose sizes.

21. ANTI-KICKBACK DEVICE STORAGE

Conveniently stores Anti-Kickback Device when not in use.

22. MITER GAUGE STORAGE

Conveniently stores miter gauge when not in use.

23. HEX WRENCH & STORAGE COMPARTMENT

Hex wrench for removing lower dust chute and adjusting various hex heads on the saw.

24. STAND ATTACHMENT BRACKET

Quick connect attachment point for folding leg table saw stand.

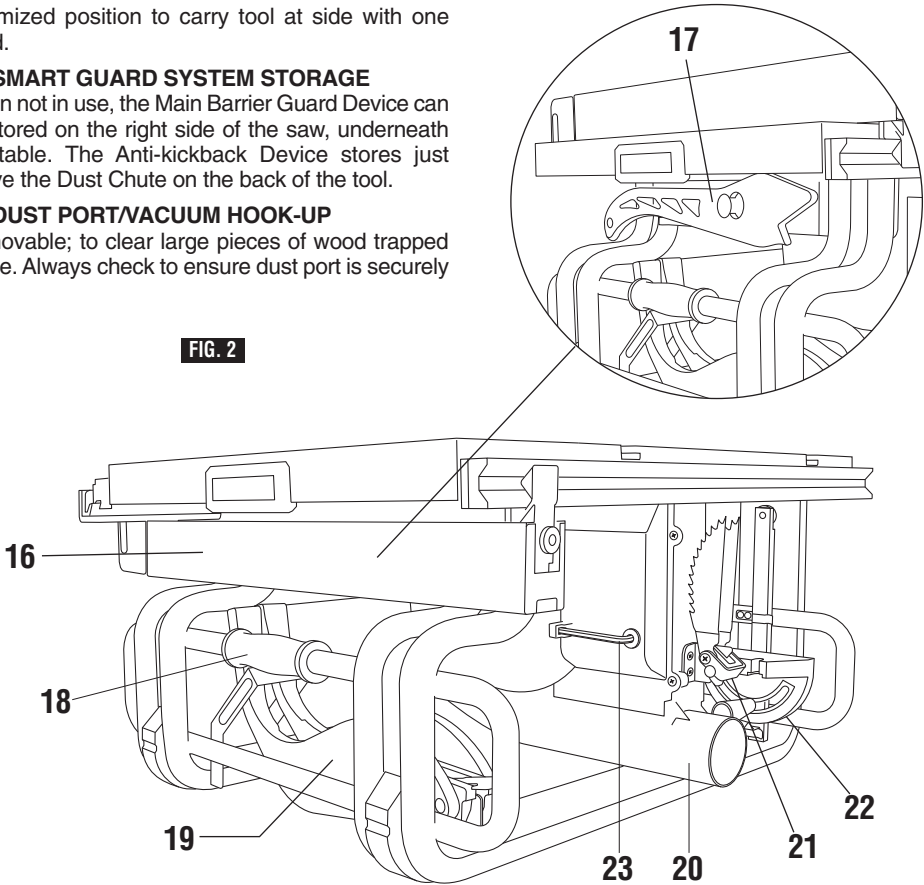


FIG. 2

Unpacking And Checking Contents

▲ WARNING To avoid injury from unexpected starting or electrical shock during unpacking and setting up, do not plug the power cord into a source of power. This cord must remain unplugged whenever you are working on the table saw.

Model GTS1031 Table Saw is shipped complete in one carton.

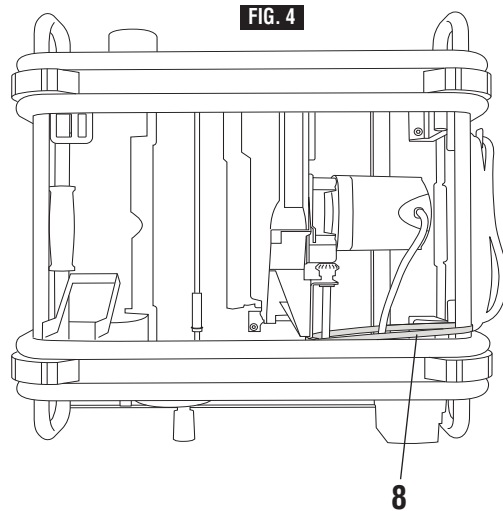
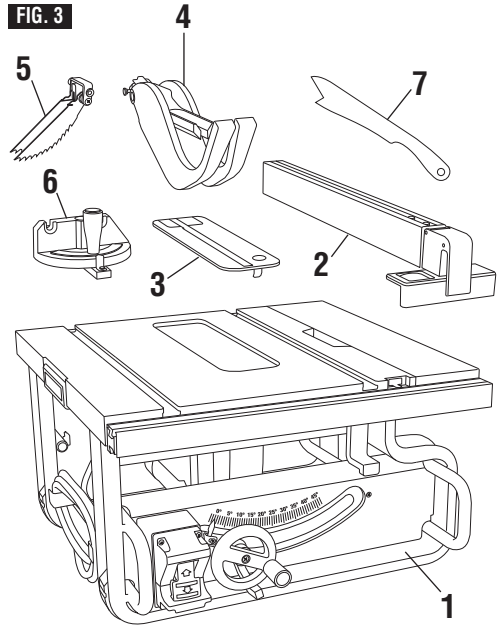
Separate all parts from packing materials and check each one with the illustration and the list of Loose Parts to make certain all items are accounted for before discarding any packing material (Fig. 3).

▲ WARNING If any parts are missing, do not attempt to assemble the table saw, plug in the power cord or turn the switch on until the missing parts are obtained and are installed correctly.

TABLE OF LOOSE PARTS

ITEM	DESCRIPTION	QTY.
1	Table Saw Assembly	1
2	Rip Fence	1
3	Table Insert	1
4	Barrier Guard Assembly	1
5	Anti-Kickback Device	1
6	Miter Gauge	1
7	Push Stick	1

NOTE: Cut cable tie **8** (for shipping purpose only) located between the saw base and under carriage (Fig. 4). You may cause damage to the blade elevation system if trying to raise blade if cable tie is not removed.



Assembly

ATTACHING THE SMART GUARD SYSTEM

⚠ WARNING To prevent personal injury, always disconnect plug from power source before attaching or removing the Smart Guard System.

POSITIONING THE RIVING KNIFE

1. Remove table insert using finger hole.
2. Raise the blade as high as it will go and set it perpendicular to table (0° on bevel scale) (Fig. 5).
3. Rotate the riving knife release lever 1 clockwise, so that it points upward (Fig. 5).
4. Pull riving knife 2 towards release lever to disengage it from the pins 3.
5. Slide the riving knife 2 up to its highest position, so that it is directly over the center of the blade (Fig. 6).
6. Align holes in riving knife with pins 3 and lock the release lever 1 by rotating it counterclockwise. Push/pull riving knife to verify that it is locked in place (Fig. 6).
7. Replace table insert (Fig. 7).

ATTACHING THE GUARD ASSEMBLY

8. With one hand, hold the front of the barrier guard assembly 4 by the metal "fork". With the other hand, hold the guard release lever 5 up (Fig. 7).
9. Lower the rear of guard assembly and slip the cross bar 6 into the rear notch 7 on top of the riving knife 2 (Fig. 7).

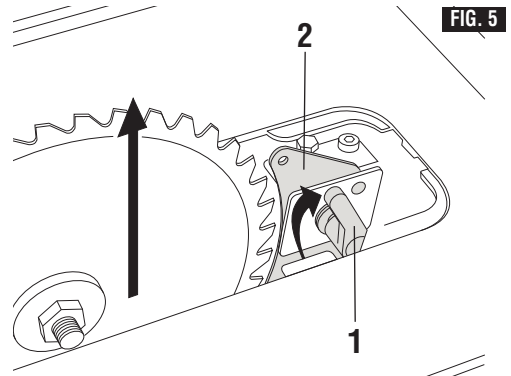


FIG. 5

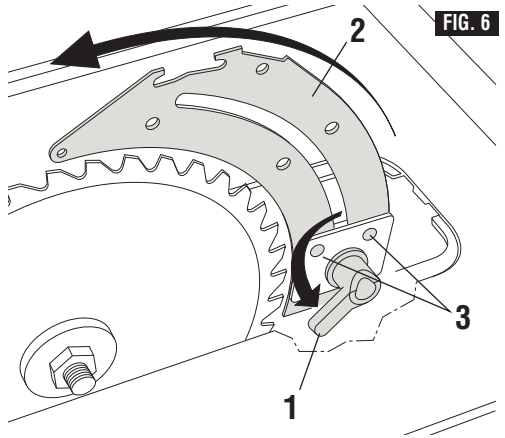


FIG. 6

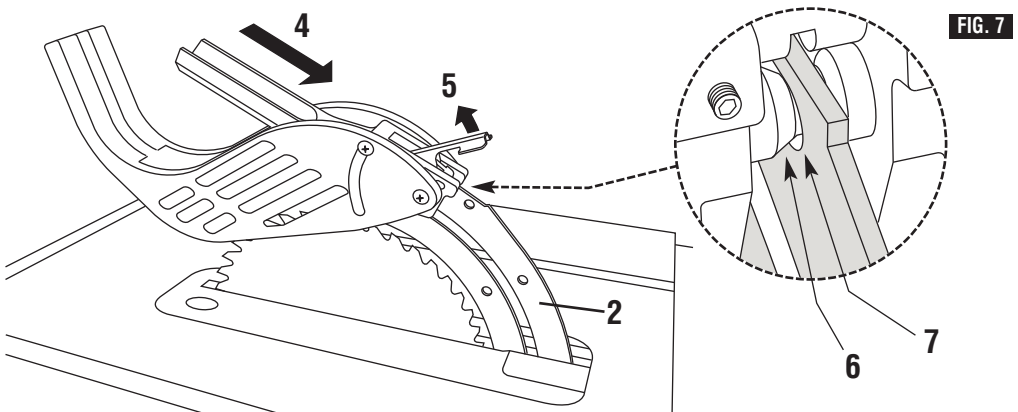


FIG. 7

10. Lower the front of the guard assembly **4** until the metal "fork" is parallel with the table (Fig. 8).
11. Press down on the guard release lever **5** until you feel and hear it snap into the locking position. Check that the guard assembly is securely connected (Fig. 8).

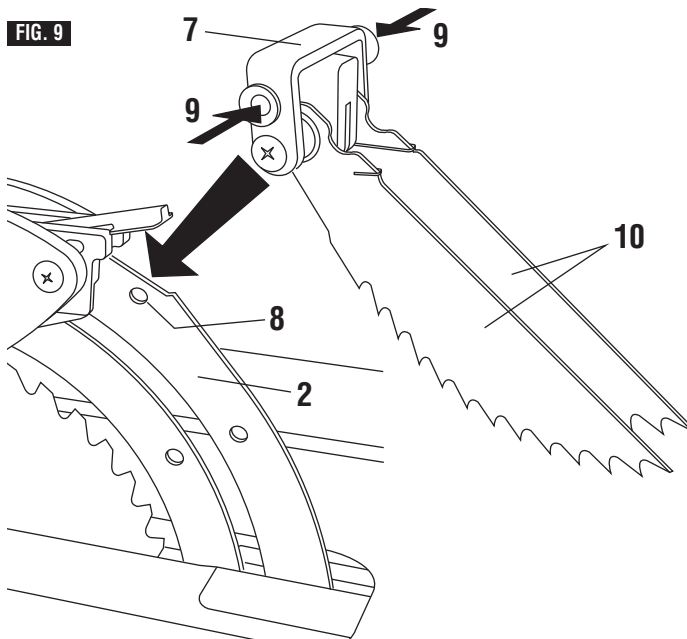
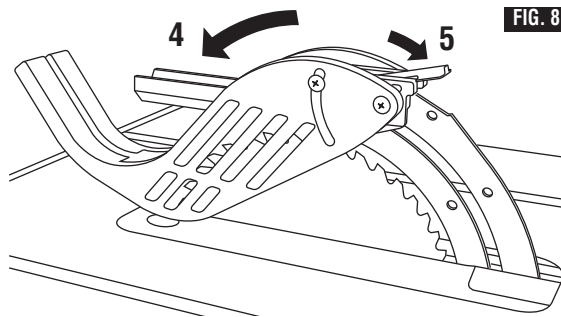
immediately behind the guard assembly. Check that the attachment pin is securely connected into locking hole. Carefully raise and lower the pawls **10** – when letting go, the spring-loaded pawls must come down and contact the table insert (Fig. 9).

ATTACHING THE ANTI-KICKBACK DEVICE

12. Attach the Anti-Kickback Device **7** into the flat recessed area **8** of the riving knife **2** (Fig. 9).
13. Squeeze the compression pads **9** while nesting the device into the flat area (Fig. 9).
14. Release the compression pads such that the Anti-Kickback Device locks onto the riving knife

Hint: Position the Anti-Kickback Device behind the flat recessed area and slide it towards the front until it drops into the recessed area – then release the compression pins.

Note: The two attachments are independant of each other, so the Anti-Kickback Device can be attached before the Guard Assembly.



REMOVAL AND INSTALLATION OF THE BLADE

⚠ WARNING Disconnect plug from power source before performing any assembly, adjustment or repair to avoid possible injury.

USING THE CORRECT BLADE

IMPORTANT: The saw blade provided on this tool has a carbide-tipped kerf width of .102" and a plate (body) thickness that is .071" thick. When looking for a replacement blade, select one with dimensions close to the original blade. This information may not be printed on the blades packaging. If not, check the manufacturers catalog or website. Bosch offers an extensive line of Premium-Quality Professional Saw Blades that match the requirements for this tool. You must select a blade with a kerf width of .092" or more and a plate (body) thickness .088" or less (Fig. 10).

⚠ WARNING To reduce the risk of injury, do not use extra thin kerf saw blades. The kerf of the blade must be wider than .092". Extra thin kerf saw blades (less than .092") may cause the work piece to bind against the riving knife during cutting. It is recommended that the kerf of the replacement blade used on this saw be .092" or more.

⚠ WARNING To reduce the risk of injury, do not use saw blades made with a thick body plate. If the replacement saw blade's plate thickness is greater than .088", the riving knife would not properly serve as an aid to reduce kick-back. The replacement blade's plate thickness must be less than .088".

⚠ WARNING To reduce the risk of injury, do not use blade "dampeners," "stabilizers," or "stiffening collars" on both sides of a replacement blade. These are metal plates positioned against the sides of the blade to reduce deflection that may occur when using thin saw blades. Use of these devices on both sides will prevent the blade from being properly aligned with the riving knife, which may bind the work piece during cutting. One "stabilizer" plate may be placed only against the outside of a thin replacement blade. These plates are not required with the supplied Bosch blade.

FIG. 10

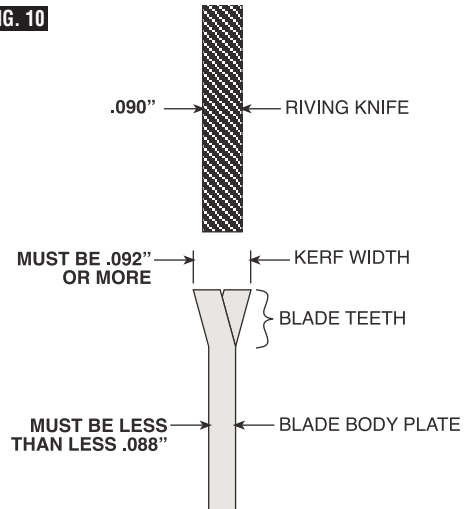
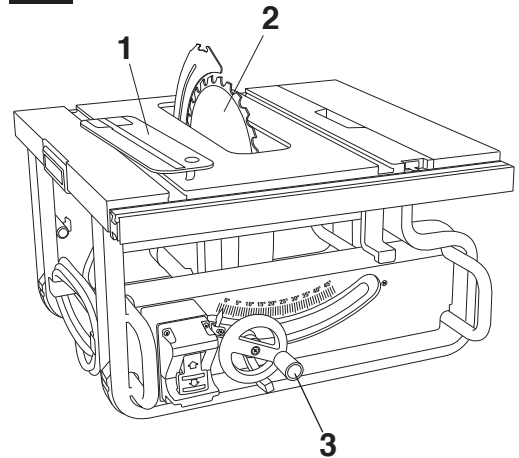


FIG. 11



CHANGING THE BLADE

NOTE: Clean blade of any excess oil before installation.

1. Remove the table insert **1** (Fig. 11).
2. Raise the blade **2** to the maximum height by turning the control wheel **3** counterclockwise (Fig. 11).
3. Remove the arbor nut **4** and flange **5** (Fig. 12).
4. To loosen the arbor nut **4**, use the open-end wrench **7** and align the wrench jaws on the flats of the flange to keep the arbor from turning. Place the box-end wrench **8** on the arbor nut **4** and turn counter-clockwise (to the front of the saw table) (Fig. 13).
5. Clean any sawdust from both blade collars before installing the blade. Install a 10" (25.4 cm) blade. Install the saw blade onto the arbor with the blade teeth pointing toward the front of the saw.

To avoid injury, do not use a blade larger or smaller than 10" diameter and 5/8" arbor.

6. Install the flange **5** against the blade **2** and thread the arbor nut **4** as far as possible by hand. Ensure that the blade is flush against the inner blade flange **6** (Fig. 12).
7. To tighten the arbor nut **4**, use the open-end wrench **7** and align the wrench jaws on the flats of the flange to keep the arbor from turning. Place the box-end wrench **8** on the arbor nut **4** and turn clockwise (to the rear of the saw table) (Fig. 13).
8. Install the table insert **1** in the table recess. (Figure 11).

To avoid injury from a thrown workpiece, blade part, or blade contact, never operate the saw without the proper insert in place. Use the table insert when sawing. Use the dado insert when using a dado blade.

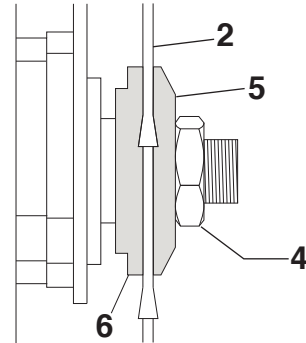
USING CARBIDE-TIPPED BLADES

Handle carbide-tipped blades carefully. Carbide is very brittle and can be easily damaged. Use caution when you install, use or store the blades. Do not use a carbide-tipped blade that is bent or has bent teeth, or if the blade has cracks, is broken, or has missing/loose carbide tips. Do not operate a carbide-tipped blade faster than its recommended speed.

Read, understand and follow all warnings and instructions provided with your carbide-tipped blades.

ATTACHING RIP FENCE FOR USE

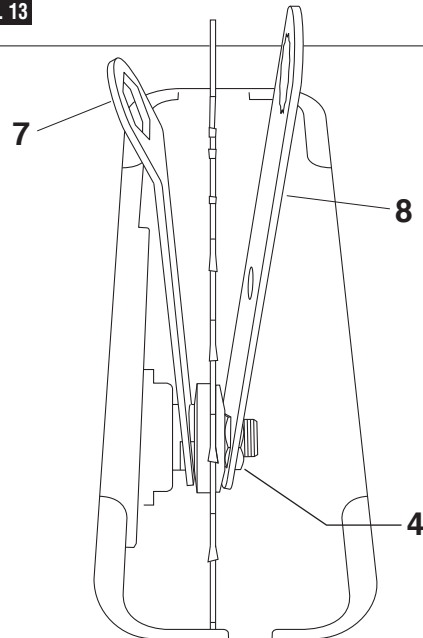
FIG. 12



AND STORAGE

1. Raise rip fence handle **1**, so holding clamp **2** is out far enough to fit on the table **3** and into "V" groove located on the back of rear rail (Fig. 14).

FIG. 13



2. Position the rip fence **4** over table **3** holding up the front end, first engage holding clamp **2** with rear rail.
3. Lower front end onto front rail **5**.
4. Lower rip fence handle to lock.

Note: To store rip fence follow same procedure as above under the table (Fig. 15).

MOUNTING THE TABLE SAW

If table saw is to be used in a permanent location, it should be fastened securely to a firm supporting surface such as a stand or workbench, using the four mounting holes **6** (Fig. 16).

1. If mounting to a workbench, the base should be bolted securely using 1/4" hex bolts (not included) through mounting holes **6**.

Hint: If workbench is 3/4" thick, bolts will have to be at least 3-1/2" long - if workbench is 1-1/2" thick, bolts should be at least 4-1/2" long.

2. Locate and mark where the saw is to be mounted, relative to holes in the base of the tool.
3. Drill four (4) 3/8" diameter holes through workbench.
4. Place table saw on workbench aligning holes in base with holes drilled in workbench.
5. Insert four (4) 1/4" dia. bolts through holes in base and supporting surface; then secure with (4) 1/4" flat washers and (4) 1/4" hex nuts.

FIG. 14

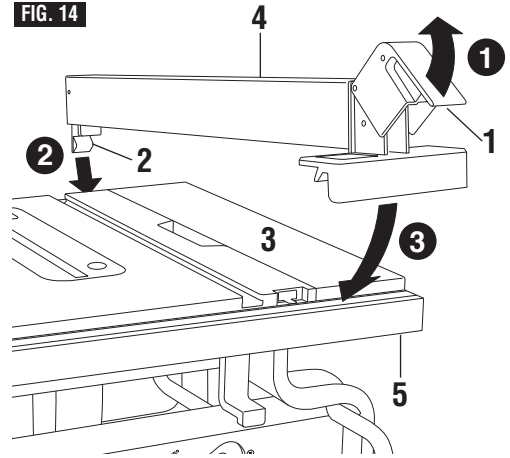


FIG. 15

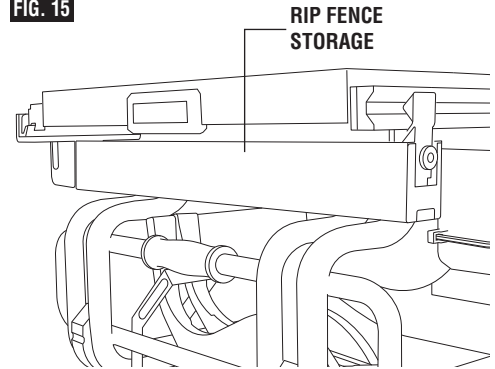
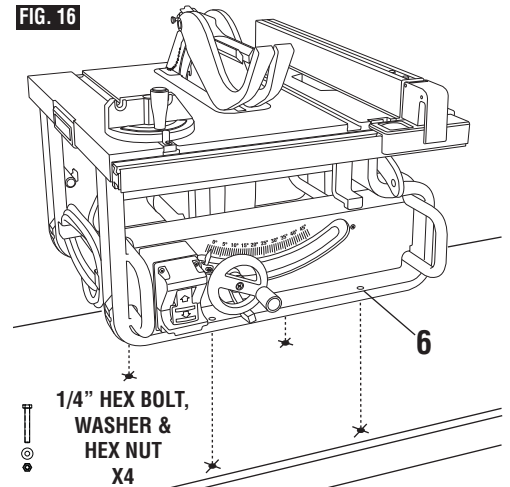


FIG. 16



Adjustments

ADJUSTING 0 AND 45 DEGREE POSITIVE STOPS

Your saw is equipped with positive stops for fast and accurate positioning of the saw blade at 90 and 45 degrees to the table.

▲ WARNING To prevent personal injury, always disconnect plug from power source when making adjustments.

1. Turn elevation wheel **2** clockwise and raise blade to maximum height (Fig. 17).

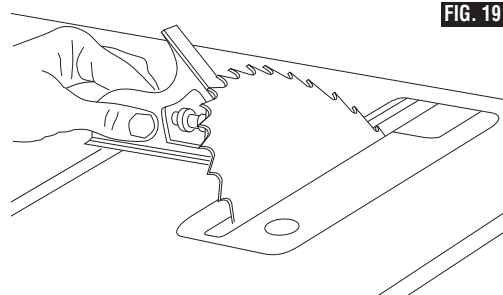
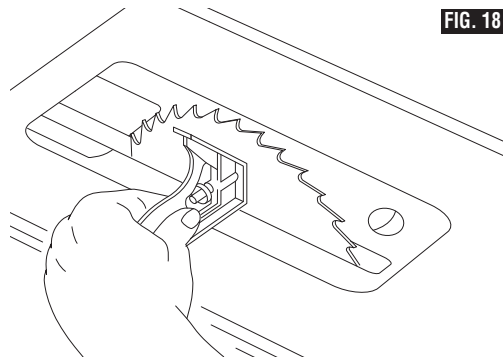
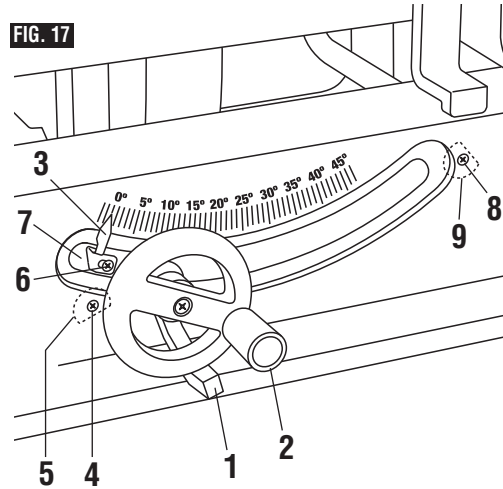
ADJUSTING 0 DEGREE POSITIVE STOP:

2. Loosen the blade tilt lock handle **1** and push the elevation wheel **2** to the left as far as possible and tighten the blade tilt lock handle **1** (Fig. 17).
3. Place a combination square on the table with one end of square against the blade as shown (Fig. 18), and check to see if the blade is 90 degrees to the table. If the blade is not 90 degrees to the table, loosen the blade tilt lock handle **1**, loosen 90 degree adjustment screw **4**, loosen 90 degree bevel stop cam **5** and push the elevation wheel until the blade is 90 degrees to the table.
4. Tighten blade tilt lock handle **1**, rotate the bevel stop cam **5** until it touches the bevel stop housing **7**, then tighten 90 degree adjustment screw **4**.
5. Loosen adjustment screw **6** and adjust pointer **3** to indicate 0 degrees on the bevel scale.

ADJUSTING 45 DEGREE POSITIVE STOP:

6. Loosen the blade tilt lock handle **1** and push the elevation wheel **2** to the right as far as possible and tighten the blade tilt lock handle **1**.
7. Place a combination square on the table with one end of square against the blade as shown (Fig. 19), and check to see if the blade is 45 degrees to the table. If the blade is not 45 degrees to the table, loosen the blade tilt lock handle **1**, loosen 45 degree adjustment screw **8**, loosen 45 degree bevel stop cam **9** and push the elevation wheel until the blade is 45 degrees to the table.
8. Tighten blade tilt lock handle **1**, rotate the 45 degree bevel stop cam **9** until it touches the bevel stop housing **7**, then tighten 45 degree adjustment screw **8**.

Note: Your GTS1031 is able to achieve a bevel up to 47 degrees left and -2 degrees right. To reach these points, follow the procedure above and reset stops as needed.



ADJUSTING BLADE PARALLEL TO THE MITER GAUGE SLOTS

The blade was adjusted parallel to the miter gauge slots at the factory. In order to insure accurate cuts and help prevent kickback, this adjustment should be rechecked. If adjustment is necessary, follow the steps below.

⚠ WARNING To prevent personal injury, always disconnect the plug from power source before making any adjustments.

1. Turn elevation wheel and raise blade as high as it will go.
2. Select a point on the body of the saw blade that is set to the left when viewing blade from the front of saw, and mark **1** with a pencil (Fig. 20).
3. Place the base of a combination square against the edge of the miter gauge slot, and extend the sliding rule of square so it just touches the marked point **1** on the body of the saw blade at the rear of the table.
4. Rotate blade and check the same marked point **1** of the saw blade at the front of the table (Fig. 20).
5. If the front and back measurements, shown in Figure 20, are not identical, loosen the four alignment bolts **2**, located on the underside of the table at the front and rear of the saw with hex wrench supplied with your saw (Fig. 21 & 22). Carefully move the saw blade until the blade is parallel to the miter gauge slot, and securely tighten all four bolts.

FIG. 20

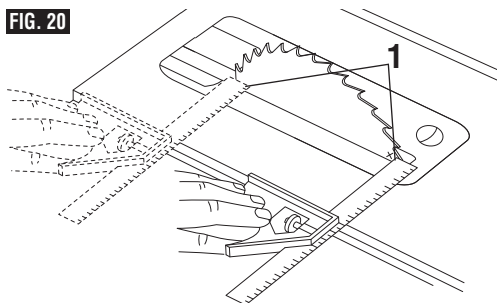


FIG. 21

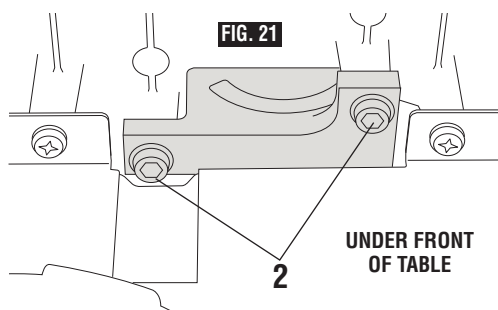
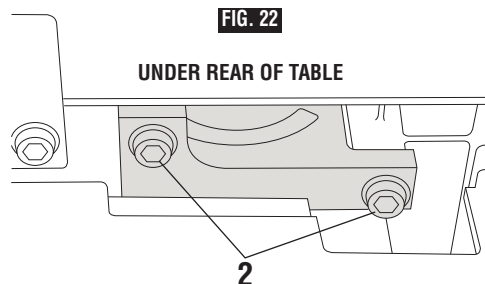


FIG. 22



ALIGNING RIP FENCE

▲ WARNING To prevent personal injury, always disconnect plug from power source before making any adjustments. The rip fence must be parallel with the SAWBLADE in order to prevent KICKBACK when ripping.

Your table saw is equipped with a Self-Aligning, Squarelock™ rip fence. Once the adjustments below have been made, the rip fence will self align when the fence is locked into position.

NOTE: The blade must be parallel with the miter gauge slots (see page 18) and be perpendicular to table before proceeding with rip fence alignment.

▲ WARNING To prevent personal injury, always make sure the rip fence is locked before making rip cuts.

1. Lift both guard barriers **2** to their up locked position.
2. Raise lock handle **1** and slide fence **3** until it is alongside the sawblade, by lifting right side pawl **4** above fence (Fig. 23).

The fence should touch the blade teeth at the front and rear of the blade. If fence does not touch the teeth at front and rear of blade continue with the following steps:

3. Loosen the two screws **5** on the top front section of the rip fence using the included 5mm hex wrench.
4. Move fence **3** until it touches the teeth and is parallel to the blade.
5. Hold fence in place and lower lock handle, check to make sure the fence stayed parallel to the blade then tighten screws (Fig. 23).
6. Clamp rip fence to check if it holds securely at front and rear. If rear is not clamped securely, unclamp fence and turn rear clamp adjustment screw **6** clockwise for increased clamping. Try clamping the fence to verify if it self aligns and clamps tightly at the front and rear. Overtightening of the rear clamp adjustment screw **6** will cause the rip fence to be non-self aligning (Fig. 23). Overtightening may cause friction or "chatter" when fence is moved side to side.

RIP FENCE POINTER ADJUSTMENT

The distance of the rip fence body from the blade when ripping on the right side of the blade is determined by lining the pointer **7** with the desired dimension on the scale **8** (Fig. 24).

TO SET THE RIP FENCE POINTER:

1. Lift both guard barriers **2** to their up locked position (Fig. 23).
2. Raise lock handle **1** and slide fence **3** until it is alongside the sawblade, by lifting right side pawl **4** above fence. Lock fence in place (Fig. 23).
3. Loosen pointer adjustment screw **9**, adjust pointer **7** to "0" mark on lower scale **8**, then re-tighten screw **9** (Fig. 24).

FIG. 23

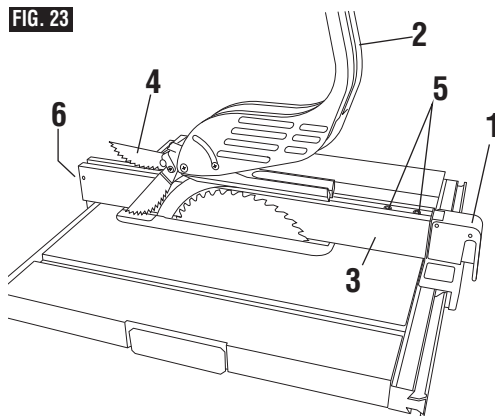


FIG. 24

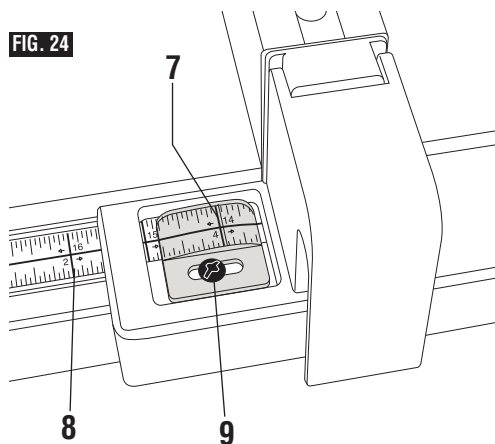


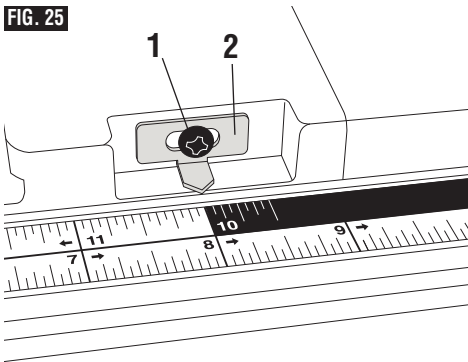
TABLE POINTER ADJUSTMENT

If an adjustment to the table pointer is necessary, loosen pointer adjustment screw **1**, adjust pointer **2** and tighten screw **1** (Fig. 25).

The table pointer should always be adjusted relative to fence pointer.

1. Adjust fence pointer to (zero) - see "Rip Fence Pointer Adjustment".
2. Make sure the table is in the closed position and slide fence to the right until the fence pointer is at 10". (Note: A portion of the fence will be off the rail.)
3. Look at fence pointer and note 10" on lower scale.
4. Adjust the table pointer **2** to the same reading on upper scale as that shown on the fence pointer. Both pointers must agree when fence is at this position.

FIG. 25



RIVING KNIFE ALIGNMENT

IMPORTANT: The Riving Knife **1** must always be in line with the Saw Blade **2**. The Riving Knife **1** is thinner than the width of the Kerf **4** by approximately five thicknesses of paper **5** on each side, depending on the thickness of paper used (Fig 26). **Note:** The Kerf is the width of the cut made by the teeth on the saw blade.

⚠ WARNING To prevent personal injury, always disconnect plug from power source before making any adjustments and when attaching or removing the Smart Guard System.

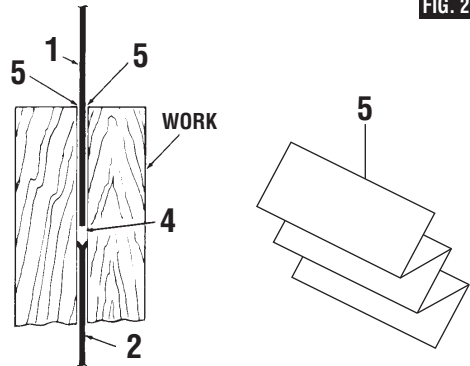
CHECKING RIVING KNIFE ALIGNMENT

NOTE: The Riving Knife has been properly aligned at the factory - Check the alignment before making any adjustments.

1. Raise the Saw Blade to maximum height and set the bevel angle to 0°.

2. Remove the Barrier Guard Assembly and Anti-Kickback Device (see manual).
3. Place the Rip Fence **3** on the right side and slide it until it touches the tips of the Saw Blade **2** - Lock fence.
4. Check the alignment:
 - A. From the top, look down over the Fence and check that the Riving Knife is in line (front to back) with the blade and parallel with the fence.
 - B. Slide the fence away from the blade. Look over the front of the blade and check that the Riving Knife is in line with the blade.
 - C. If steps A or B show misalignment, proceed to "Adjusting Riving Knife".

FIG. 26



LOOKING DOWN ON SAW

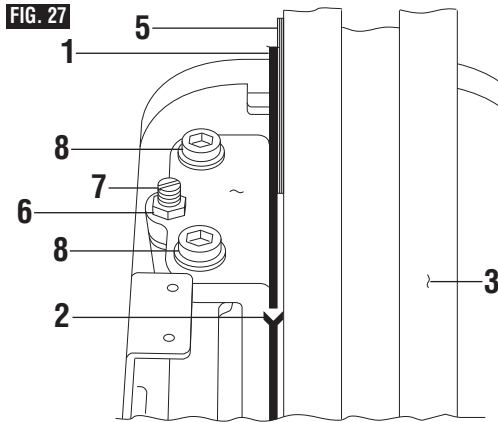
ADJUSTING RIVING KNIFE

1. Raise the Saw Blade **2** to maximum height and set the bevel angle to 0°.
2. Remove the Barrier Guard Assembly and Anti-Kickback Device (see manual).
3. Remove the Table Insert.
4. Place the Rip Fence **3** on the right side and slide it until it touches the tips of the Saw Blade **2** - Lock fence.
5. Loosen Hex Nut **6** with 10mm open end wrench (Fig. 27). Slightly loosen Clamping Screws **8** (1/4-1/2 turns) using a 5mm Allen wrench provided with table saw (stored in the rear of saw). Loosen Set Screw **7** using a flat screwdriver (Fig. 27).
6. Make four folds in a small piece of paper (6" x 6") forming five layers (Fig. 26). Paper **5** is used as a "Spacing Gauge."

NOTE: The spacing instructions are based on using the standard kerf blade supplied with your GTS1031. If a smaller or larger kerf blade is used, adjust the spacer. For instance, if the kerf of the replacement blade is larger, use 6 or more thicknesses of paper and if it is smaller, use 4 or less thicknesses. Depending on the type of paper used as a spacer, you may need to modify the number of folds for proper alignment.

7. Insert folded paper 5 between Riving Knife 1 and Fence 3.

A. Hold Riving Knife and paper firmly against Fence (Fig. 27 & 28).



- D. Slowly turn the Set Screw 7 while watching the Riving Knife tilt until it is in line with the blade.
- E. Recheck squareness of riving knife to table by sliding fence against blade. Readjust if necessary.

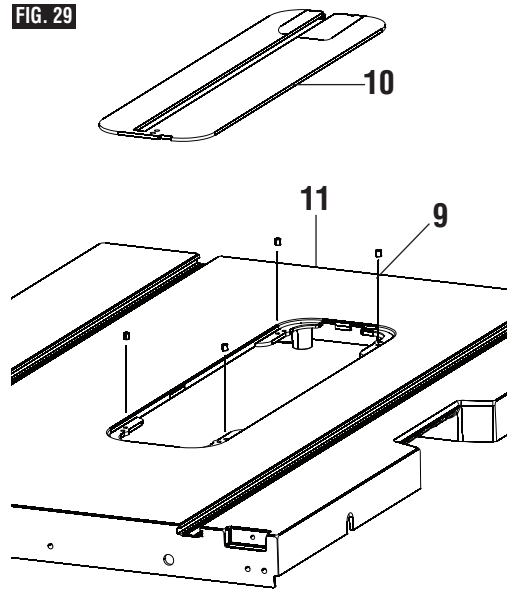
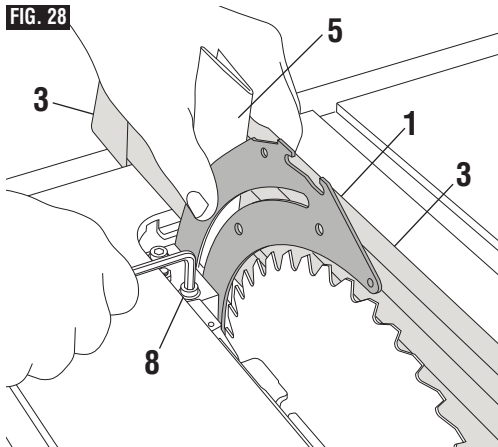
8. After completing adjustments:

- A. Lightly tighten hex nut 6 (hold set screw position with screwdriver while tightening nut).
- B. Fully tighten Clamp Screws 8 with Allen wrench. Then fully tighten the hex nut.

NOTE: Check that the riving knife stays in line with blade when the blade is tilted at any angle. Replace the Barrier Guard Assembly and Anti-Kickback Device before making cuts.

ADJUSTING THE TABLE INSERT

The GTS1031 table insert slot includes four (4) adjustment screws 9 to set the height (Fig. 29). Place the insert 10 onto the table 11. Place a straight edge (such as the metal ruler from a combination square) across the table top and insert top – the surfaces should be at the same level. If adjustment is necessary, use the included 2 mm “L wrench” (packed with the table insert) to rotate each set screw up or down.



- B. Lightly tighten the clamp screws 8.
- C. Remove the paper - Slide fence away from blade.

Basic Table Saw Operation

SAFETY POWER SWITCH

NOTE: This table saw has a safety feature that helps prevent accidental starting.

To turn saw on: lift switch lever by pinching side walls and pulling up. This action starts the saw (Fig. 30)

To turn off power: push switch lever down to its original position (Fig. 31).

To prevent unauthorized use, the switch can accommodate a padlock with a long, 3/16" or 1/4" diameter shackle (not provided with table saw), (Fig. 31).

SMART GUARD SYSTEM

The Bosch Smart Guard has been designed for modularity, enabling the use of multiple combinations of the three main components – Main barrier guards, Anti-kickback device, and riving knife. Additionally, the riving knife can be quickly adjusted to three positions (high, middle, and stored), depending on the application requirement.

COMPONENT PARTS (FIGURE 32):

1 Riving Knife

The Riving Knife is the central element of the Bosch Smart Guard blade guarding system, serving as the attachment point for both the Main Barrier Guard and the Anti-Kickback Device. In the event that the Main Barrier Guard and Anti-Kickback Device are removed, the Riving Knife maintains its functionality as material splitter, and is adjustable to three positions. Because of this adjustability, the Riving Knife can be appropriately positioned for all cutting applications.

2 Main Barrier Guard

The main guard is comprised of a pair of plastic barriers attached to the metal upper barrier guard. The side barriers (one to the left and one to the right of the blade) operate independently of one another, maintaining maximum blade coverage during cutting operations. The main guard incorporates a quick-connect attachment point and can be attached or removed from the blade guarding system independent of the Anti-Kickback Device and Riving Knife.

Note: To best secure the main guard for relocation, adjust the blade to its lowest position. This keeps the guard tight to the table surface and prevents damage related to the guard swinging during relocation. If transporting over a longer distance on/off the job, place guard in its below table storage position. (See figure 33, on page 23).

FIG. 30

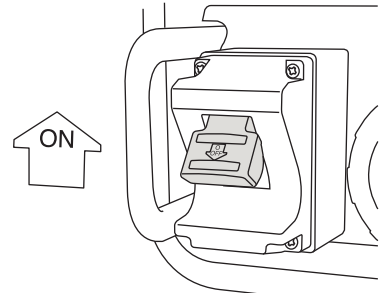


FIG. 31

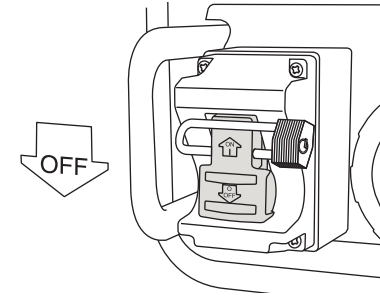
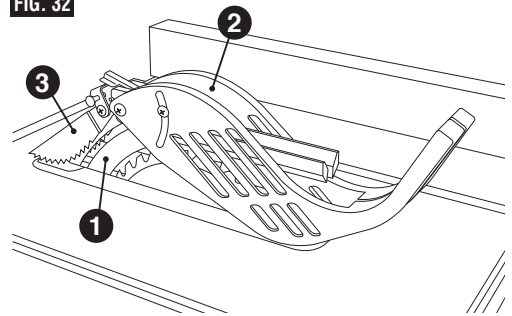


FIG. 32



3 Anti-Kickback Device

In the event of kickback, the Anti-Kickback Device, (also known as dogs, or pawls) is intended to help prevent the board from being thrown in the direction of the user. The sharp teeth of the pawls are intended to "catch" the material in the event of kickback.

ATTACHMENT/REMOVAL

(see pages 12 & 13 for detailed instructions)

The three primary components of the Smart Guard blade guarding system are designed for rapid attachment, adjustment, and/or removal without the need for additional tools.

The Main Barrier Guard component can be quickly attached and detached through the use of a quick release lever. The guard is attached by seating the crossbar into the top of the Riving Knife and engaging the locking lever. Following this process in reverse, the guard can be easily removed for special operations such as dados or rabbets.

The Anti-Kickback Device can be easily attached by aligning the attachment pin with the hole in the rear of the riving knife. It can be easily removed by depressing the compression pads on either side of the Anti-Kickback Device and lifting it away.

The Riving Knife can be easily adjusted to one of three heights by removing the table insert, raising the blade to its full height and releasing the riving knife release lever at the base of the Riving Knife. The Riving Knife should be locked in its highest position for use with the Main Barrier Guard and Anti-Kickback Device. It can be adjusted to its middle position for non-through cuts and for use as a material splitter without the Main Barrier Guard and Anti-Kickback Device.

In the event that the Riving Knife can not be used for a specific cut, it can be adjusted to its lowest position, thus placing it 1" above the surface of the table (while the blade is at its full height).

SYSTEM STORAGE

When not in use, the Main Barrier Guard and Anti-Kickback Device can be stored under the right side table extension.

▲ WARNING Use of all the components of the Smart Guard System, including Main Barrier Guard, Anti-Kickback Device, and Riving Knife is highly recommended to provide protection against accidents and injury.

1. Slide the front of the Main Barrier Guard assembly up and into the U-bracket at the front right side of the saw (Fig. 33).
2. Pivot the rear of the guard down and onto the mounting bracket.
3. Lock the Main Barrier Guard assembly into place in the same manner as you would attach it to the Riving Knife.
4. Locate the Anti-Kickback Device storage location just above the Dust Chute on the back of the tool. Attach the Anti-Kickback Device to the hanging bracket in the same manner that it attaches to the Riving Knife (Fig. 34).

FIG. 33

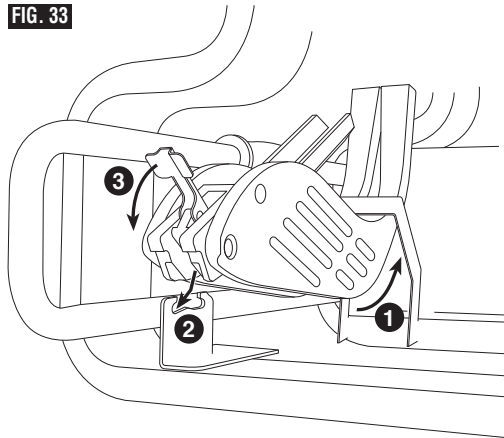
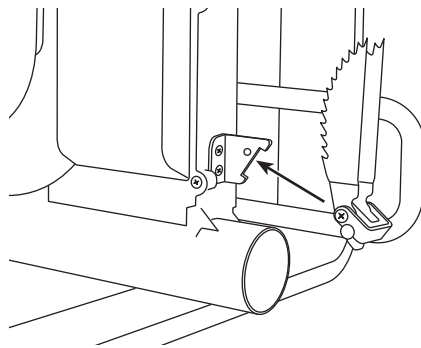


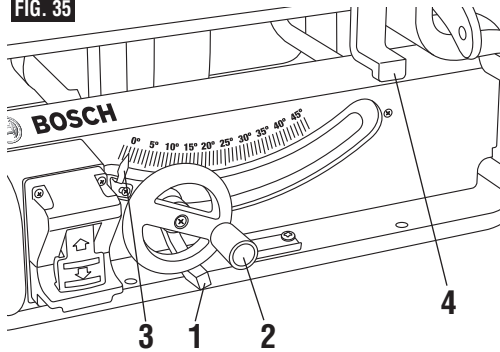
FIG. 34



BLADE BEVEL CONTROL

Loosen blade bevel lock handle **1** counterclockwise (Fig. 35), slide the elevation wheel **2** until pointer **3** is at desired angle and tighten blade tilt lock handle **1** clockwise.

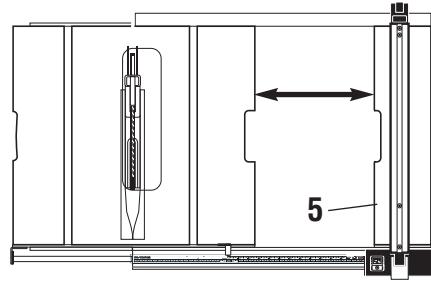
FIG. 35



EXTENDING TABLE EXTENSION

To extend the table, raise the table extension lock handle **4** (Fig. 35) and slide table extension **5** to desired width (Fig 35a). To secure table setting, lower the lock handle **4**.

FIG. 35a



USING THE RIP FENCE POINTER WHEN TABLE IS NOT EXTENDED

The rip fence pointer shows the distance from the blade to rip fence through a convenient viewing.

Align rip fence pointer **4** with lower portion of scale **5**. The lower scale can be used for widths up to 10 inches (Fig. 36).

USING THE TABLE POINTER WHEN TABLE IS EXTENDED

The upper portion of scale **6** is used for rip cut 10 to 18 inches. Align table pointer **7** with upper portion of scale **6** (Fig. 36).

NOTE: The maximum cutting capacity to the right of the blade when the extension table is closed is 10", as noted on the scale. To achieve this capacity, a portion of the fence glide pads, located underneath

the locking lever, will hang off the rail. The maximum cutting capacity to the right of the blade when the extension table is fully extended is 18". To achieve this capacity, a portion of the fence glide pads, located underneath the locking lever, will hang off the rail. In either case the rip fence pointer should never be positioned beyond 10" on the lower scale for maximum cutting capacity (Fig. 37).

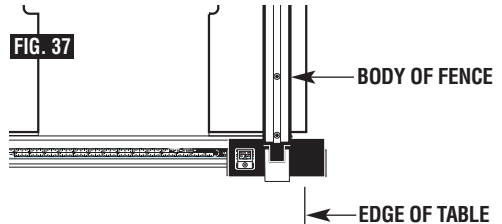
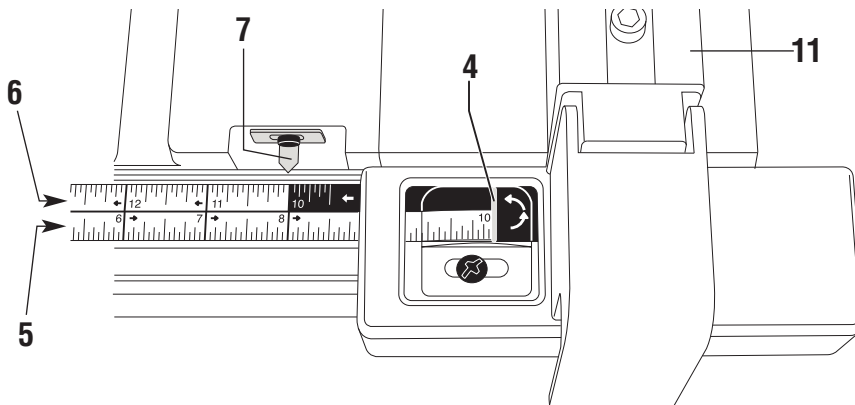


FIG. 36



WORK HELPERS

Before cutting any wood on your saw, study all of the "Basic Saw Operations".

Notice that in order to make some of the cuts, it is necessary to use certain devices, "Work Helpers", like the Push Stick, the Push Block and the Auxiliary Fence, which you can make yourself.

After you have made a few practice cuts, make these "helpers" before starting any projects. Make the "Push Stick" first. (A push stick is included standard with the GTS1031).

PUSH STICK AND PUSH BLOCK

Make the Push Stick 1 using a piece of 1 x 2 as shown (Fig. 38).

Make the Push Block 2 using pieces of 3/8" plywood 3 and 3/4" hardwood 4 (Fig. 39). For proper use of push block (see page 30).

The small piece of wood, 3/8" x 3/8" x 2-1/2", should be GLUED to the plywood... DO NOT USE NAILS. This is to prevent dulling the sawblade in the event you mistakenly cut into the Push Block.

Position the handle in the center of the plywood and fasten together with glue and woodscrews.

Use a push stick whenever the fence is 2 inches or more from the blade. Use a push block when the operation is too narrow to allow the use of a push stick. For proper use, see page 30.

Both a push stick or block should be used in the place of the user's hand to guide the material only between the fence and blade.

When using a push stick or push block, the trailing end of the board must be square. A push stick or block against an uneven end could slip off or push the work away from the fence.

AUXILIARY FENCE

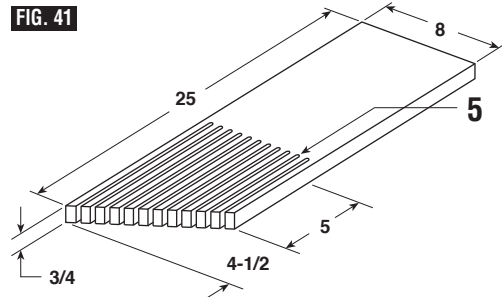
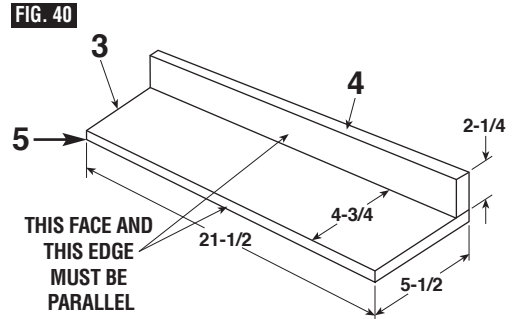
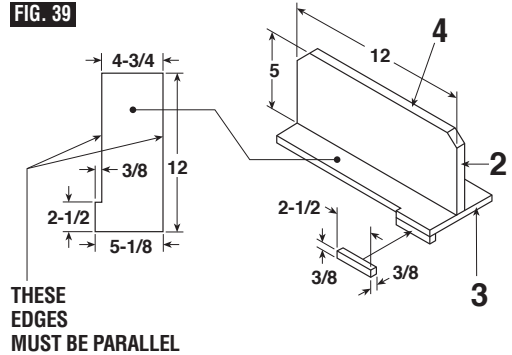
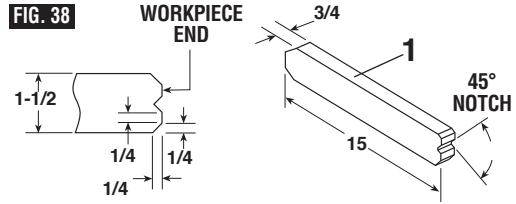
Make one using pieces of 3/8" plywood 3 and 3/4" hardwood 4. Fasten together with glue and wood-screws (Fig. 40).

NOTE: Since the Push Block 2 is used with the Auxiliary Fence 5, the 4-3/4" dimensions must be held identical on both the pieces.

MAKING A FEATHERBOARD

Figure 41 illustrates dimensions for making a typical featherboard. It should be made from a straight piece of wood that is free of knots or cracks.

Kerf 5 should be about 1/4" apart (fig. 41).



NOTE: All dimensions in inches.

USING THE MITER GAUGE

CROSSCUTTING, MITER CUTTING, BEVEL CUTTING, COMPOUND MITER CUTTING and when RABBETING across the end of a narrow workpiece, the MITER GAUGE is used.

⚠ WARNING For your own safety, always observe the following safety precautions in addition to the safety instructions on Pages 2, 3, 4 & 5.

Never make these cuts freehand (without using the miter gauge or other auxiliary devices) because the blade could bind in the cut and cause a KICKBACK or cause your fingers or hand to slip into the blade.

Always lock the miter gauge securely when in use.

Remove rip fence from table during any operations which utilize the miter gauge.

The miter includes a “T” groove disk **1** for easy insertion into table groove and quicker removal from the table (Fig 42).

When cross cutting and the blade set at 90° or 45° to the table, the miter gauge can be used in either slot on the table. When cross cutting and the blade is tilted, use slot on right side of table where the blade is tilted away from your hands and miter gauge.

To adjust the miter angle:

Loosen lock knob **2** and set the miter gauge body **3** so the pointer **4** is at desired angle, then tighten lock knob **2** (Fig. 42).

NOTE: When bevel crosscutting, attach facing so that it extends to the right of the miter gauge and use the miter gauge in the groove to the right of the blade.

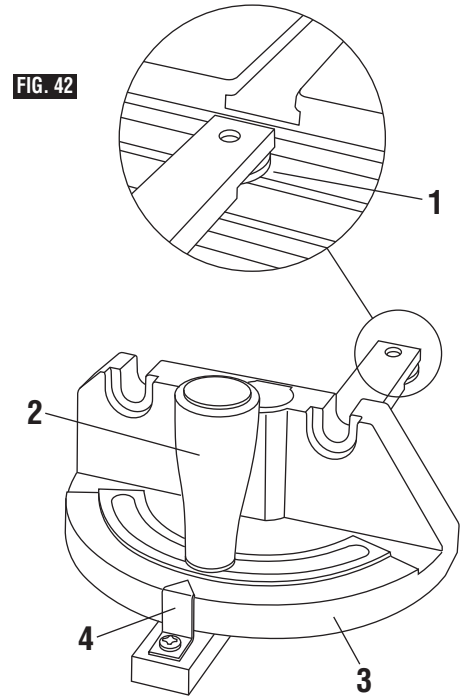


FIG. 42

MITER GAUGE AUXILIARY FACING

The GTS1031 miter gauge is designed to accept an Auxiliary Facing with pre-molded holes for fastening a suitable piece of smooth straight wood. Utilize the miter gauge as a template to attach with proper fasteners (Fig. 43).

Example:

- A. Drill 5/32" dia. holes thru (board 3/4" thick, 3" high, and desired length).
- B. Attach with two No. 12 round head wood screws 1-1/2" long, **6**, not included (Fig. 43).

Be sure screws never protrude above outside surface of facing.

Be sure facing does not interfere with the proper operation of the saw blade guard.

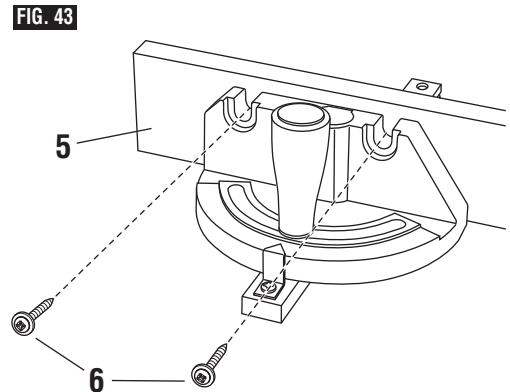


FIG. 43

CROSSCUTTING

CROSSCUTTING is known as cutting wood across the grain, at 90°, or square with both the edge and the flat side of the wood. This is done with the miter gauge set at 90° (Fig. 44).

Make sure blade guard is installed for all “thru-sawing” operations (when sawblade cuts entirely thru the thickness of the workpiece). Replace guard IMMEDIATELY after completion of dadoing or rabbeting cuts.

Have blade extend approximately 1/8" above top of workpiece. Additional blade exposure would increase the hazard potential.

Do not stand directly in front of the blade in case of a THROWBACK (small cut-off piece caught by the back of the blade and thrown toward the operator). Stand to either side of the blade.

Keep your hands clear of the blade and out of the path of the blade.

If blade stalls or stops while cutting, TURN SWITCH OFF before attempting to free the blade.

Do not reach over or behind the blade to pull the workpiece through the cut ... to support long or heavy workpieces ... to remove cut-off pieces of material or FOR ANY OTHER REASON.

Do not pick up small pieces of cut-off material from the table. REMOVE them by pushing them OFF the table with a long stick. Otherwise they could be thrown back at you by the rear of the blade.

Do not remove small pieces of cut-off material that are close to or may become TRAPPED inside the blade guard while the saw is RUNNING. THIS COULD ENDANGER YOUR HANDS or cause a KICKBACK. Turn the saw OFF. After the blade has stopped turning, lift the guard and remove the piece.

If workpiece is warped, place the CONCAVE side DOWN. This will help prevent it from rocking while it is being cut.

The graduations on the miter gauge provide accuracy for average woodworking. In some cases where extreme accuracy is required, when making angle cuts, for example, make a trial cut and then recheck it with an accurate square or protractor.

If necessary, the miter gauge head can be swiveled slightly to compensate for any inaccuracy.

TIP: The space between the miter gauge bar and the groove in the table is held to a minimum during

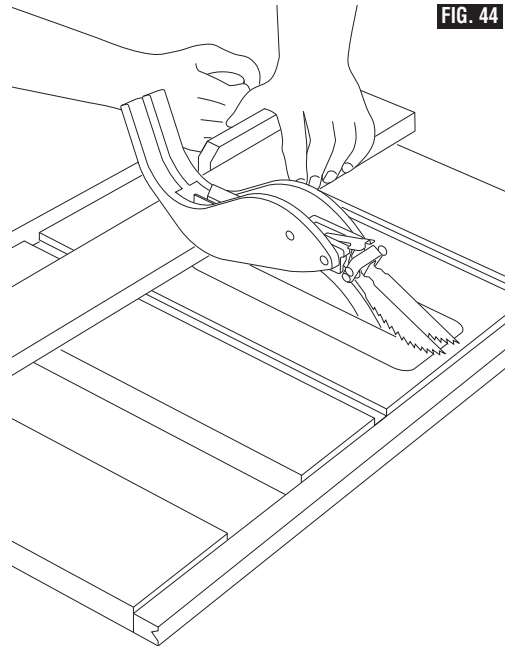
manufacturing. For maximum accuracy when using the miter gauge, always “favor” one side of the groove in the table. In other words, don’t move the miter gauge from side to side while cutting but keep one side of the bar riding against one side of the groove.

TIP: Glue a piece of sandpaper to the face of the miter gauge head. This will help prevent the workpiece from “creeping” while it is being cut.

The miter gauge may be used in either of the grooves in the table. Make sure it is locked.

When using the miter gauge in the LEFT hand groove, hold the workpiece firmly against gauge head with your left hand, and grip the lock knob with your right hand.

When using the RIGHT hand groove, hold the workpiece with your right hand and the lock knob with your left hand.



REPETITIVE CUTTING

REPETITIVE CUTTING is known as cutting a quantity of pieces the same length without having to mark each piece (Fig. 45).

When making repetitive cuts from a long workpiece, make sure it is supported.

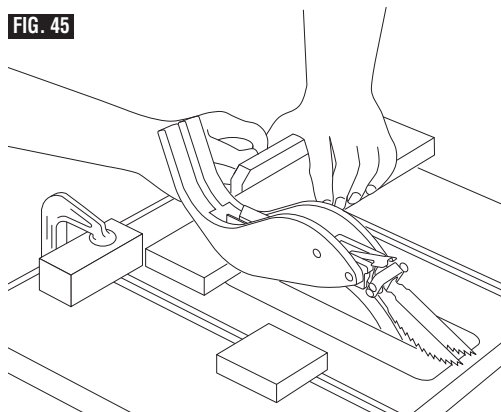
▲ WARNING Never use the rip fence as a length stop because the cutoff piece could bind between the fence and the blade causing a kick-back.

1. When making repetitive cuts, clamp a block of wood 3" long to the table at desired length to act as a length stop.

▲ WARNING When clamping the block, make sure that the end of the block is well in front of the sawblade. Be sure it is clamped securely.

2. Slide the workpiece along the miter gauge until it touches the block ... hold it securely.
3. Make the cut ... pull the workpiece back ... push the cut-off piece off the table with a long Push Stick ... **DO NOT ATTEMPT TO PICK IT UP AS THIS COULD ENDANGER YOUR HANDS.**

FIG. 45



MITER CUTTING

MITER CUTTING is known as cutting wood at an angle other than 90° with the edge of the wood. Follow the same procedure as you would for crosscutting (Fig. 46).

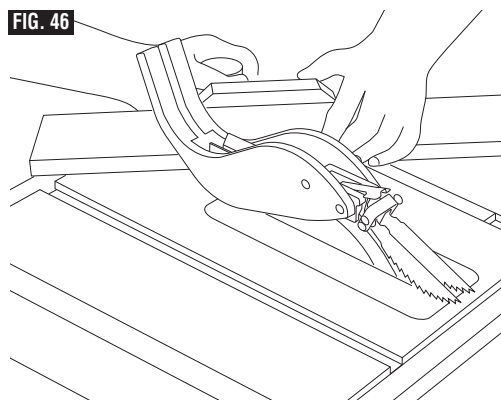
Adjust the miter gauge to the desired angle, and lock it.

The miter gauge may be used in either of the grooves in the table.

When using the miter gauge in the LEFT hand groove, hold the workpiece firmly against the miter gauge head with your left hand, and grip the lock knob with your right hand.

When using the RIGHT hand groove, hold the workpiece with your right hand and the lock knob with your left hand.

FIG. 46



BEVEL CROSSCUTTING

BEVEL CROSSCUTTING is the same as crosscutting except that the wood is also cut at a bevel angle (Fig. 47) ... other than 90° with the flat side of the wood.

Adjust the blade to the desired angle.

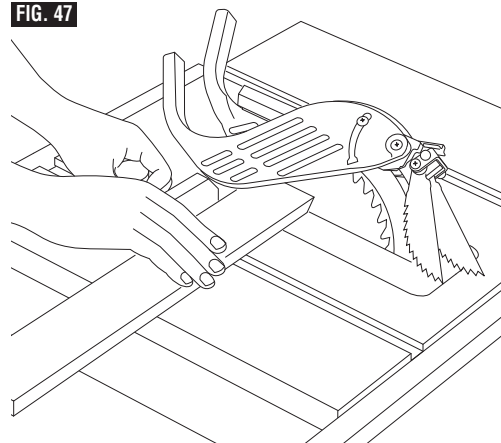
Use the Miter Gauge in the groove to the RIGHT or the LEFT of the blade.

COMPOUND MITER CUTTING

COMPOUND MITER CUTTING is a combination of miter cutting and bevel crosscutting. The cut is made at an angle other than 90° to both the edge and the flat side of the wood (Fig. 47).

Adjust the miter gauge and the blade to the desired angle and make sure miter gauge is locked.

FIG. 47



USING THE RIP FENCE

RIPPING, BEVEL RIPPING, RESAWING AND RABBETING are performed using the RIP FENCE together with the AUXILIARY FENCE / WORK SUPPORT, PUSH STICK OR PUSH BLOCK.

WARNING For your own safety, always observe the following safety precautions in addition to the safety instructions on Pages 2, 3, 4 & 5.

1. Never make these cuts FREEHAND (without using the rip fence or auxiliary devices when required) because the blade could bind in the cut and cause a KICKBACK.
2. Always lock the rip fence securely when in use.
3. Remove miter gauge from table during any operations which utilize the rip fence.
4. Make sure blade guard is installed for all thru-sawing type cuts. Replace the guard IMMEDIATELY following completion of resawing, rabbeting, or dadoing operations.

Frequently check the action of the ANTIKICKBACK PAWLS by passing the workpiece alongside of the spreader while saw is OFF.

Pull the workpiece TOWARD you. If the PAWLS do not DIG into the workpiece and HOLD it ... the pawls must be REPLACED or SHARPENED. (See "Maintenance" on Page 34 & 35).

5. Have blade extend approximately 1/8" above top of workpiece. Additional blade exposure would increase the hazard potential.
6. Do not stand directly in front of the blade in case of a KICKBACK. Stand to either side of the blade.
7. Keep your hands clear of the blade and out of the path of the blade.
8. If the blade stalls or stops while cutting, TURN SWITCH OFF before attempting to free the blade.
9. Do not reach over or behind the blade to pull the workpiece through the cut ... to support long or heavy workpieces ... to remove small cut-off pieces of material or FOR ANY OTHER REASON.
10. Do not pick up small pieces of cut-off material from the table. REMOVE them by pushing them OFF the table with a long stick. Otherwise they could be thrown back at you by the rear of the blade.

11. Do not remove small pieces of cut-off material that may become TRAPPED inside the blade guard while the saw is RUNNING. THIS COULD ENDANGER YOUR HANDS or cause a KICKBACK. Turn the saw OFF and disconnect power source. After the blade has stopped turning, lift the guard and remove the piece.
12. If workpiece is warped, place the CONCAVE side DOWN. This will prevent it from rocking while it is being ripped.

RIP FENCE AUXILIARY FACING

When using dado accessories, an auxiliary facing board should be used. This will help prevent damage to the aluminum fence. The facing should be made of 3/4 inch thick wood (Fig. 48).

Parts Required:

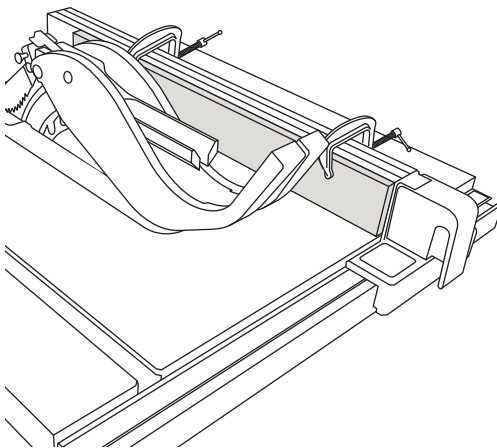
3/4" thick wood board (solid or plywood) cut to size.

Two (2) clamps.

The facing is made to the same height (2-3/4") as the fence and can work with the blade guard system in place when moving the fence to contact the blade. Use two clamps to clamp the 3/4 inch thick wood board to the rip fence.

NOTE: The auxiliary facing board, should also be used when cutting material less than 3/16" thick.

FIG. 48



RIPPING

RIPPING is known as cutting a piece of wood with the grain, or lengthwise. This is done using the rip fence. Position the fence to the desired WIDTH OF RIP and lock in place. Before starting to rip, be sure:

- A. Rip Fence is parallel to sawblade.
- B. Riving knife is properly aligned with sawblade.
- C. Antikickback pawls are functioning properly.

When ripping LONG BOARDS or LARGE PANELS, always use an auxiliary work support (Fig. 49).

When ripping a workpiece that is less than 3/16 inch thick, always use auxiliary fence described in rip fence auxiliary facing section (page 29).

BEVEL RIPPING

When bevel ripping material 6" or narrower, use fence on the right side of the blade ONLY. This will provide more space between the fence and the sawblade for use of a Push Stick. If the fence is mounted to the left, the sawblade guard may interfere with proper use of a Push Stick.

When "WIDTH OF RIP" is 6" and WIDER use your RIGHT hand to feed the workpiece, use LEFT hand ONLY to guide the workpiece ... do not FEED the workpiece with the left hand (Fig. 49).

When "WIDTH OF RIP" is 2" to 6" wide USE THE PUSH STICK 1 to feed the work (Fig. 50).

When WIDTH OF RIP is NARROWER than 2" the Push Stick CANNOT be used because the guard will interfere ... USE the AUXILIARY FENCE, and PUSH BLOCK.

Attach auxiliary fence 2 to rip fence with two "C" clamps (Fig. 51).

Feed the workpiece by hand until the end is approx. 1" from the front edge of the table. Continue to feed

using the PUSH BLOCK 3 on top of auxiliary fence UNTIL THE CUT IS COMPLETE (Fig. 52).

FIG. 49

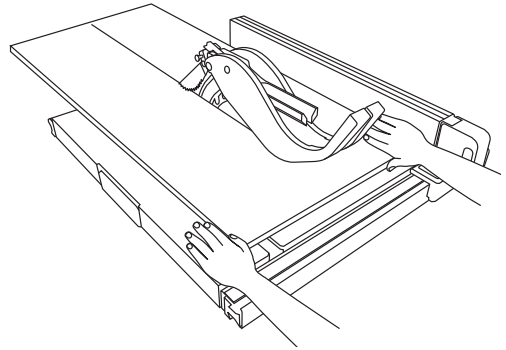


FIG. 50

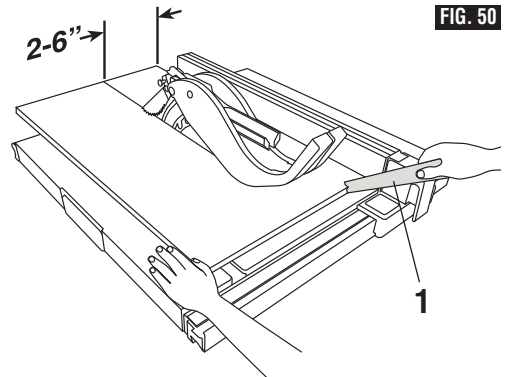


FIG. 51

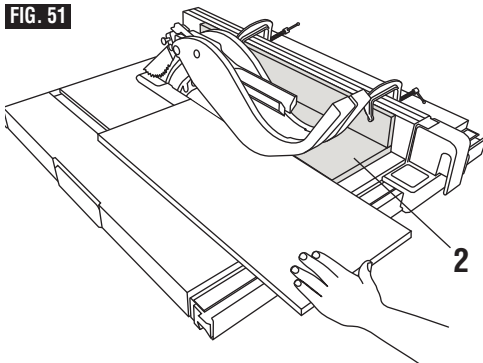
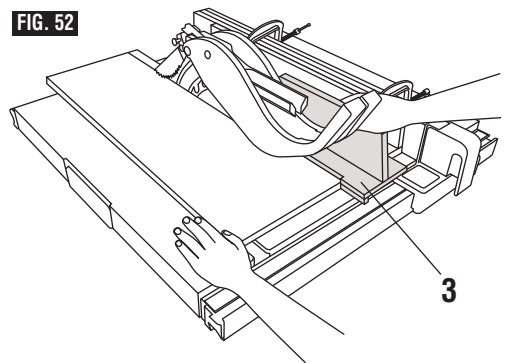


FIG. 52



NON THRU-SAWING

Add 8" high flat facing board to the fence, the full length of the fence (Fig. 53).

Use featherboards for all "Non Thru-Sawing" operations (when sawblade guard must be removed). Featherboards **1** are used to keep the work in contact with the fence and table as shown, and to stop kickbacks.

Mount featherboards **1** to fence and table as shown, so that leading edges of featherboards will support workpiece until cut is complete, and the workpiece has been pushed completely past the cutter (sawblade, dado head, etc.) with a Push Stick **2**, as in ripping.

Before starting the operation (switch saw "OFF" and set cutter below table surface):

- A. Install featherboards so they exert pressure on the workpiece; **BE POSITIVE THEY ARE SECURELY ATTACHED.**
- B. Make sure by trial that the featherboards will stop a kickback if one should occur.

Featherboards are not employed during non thru-sawing operations when using the miter gauge.

REPLACE THE SMART GUARD SYSTEM AS SOON AS THE NON THRU-SAWING OPERATION IS COMPLETE.

RABBETING

RABBETING is known as cutting out a section of the corner of a piece of material, across an end or along an edge (Fig. 54).

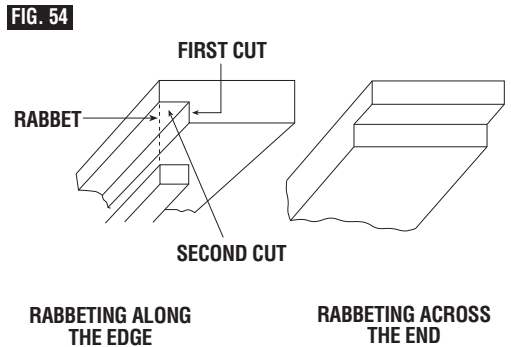
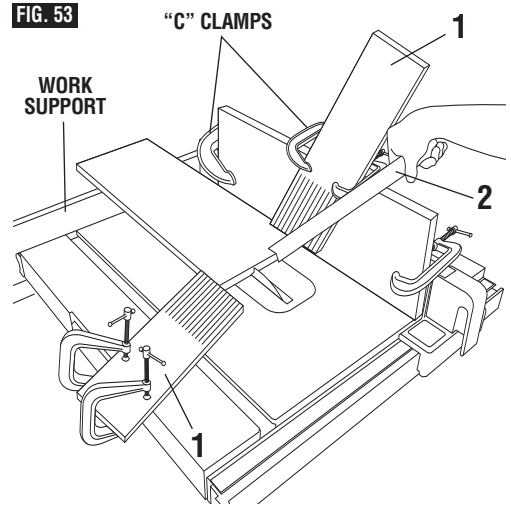
Making a RABBET requires cuts which do not go all the way through the material. Therefore the Smart Guard System must be removed.

1. Remove blade guard.
2. For rabbeting along an edge (long way of workpiece) as shown, add facing to rip fence approximately as high as the workpiece is wide. Adjust rip fence and blade to required dimensions; then make first cut with board flat on table, follow set-up Fig. 53. Make second cut with workpiece on edge. Follow all precautions, safety instructions, and operation instructions as for ripping or rip type operations, including featherboards and Push Stick, etc.
3. For rabbeting across an end, for workpiece 10-1/2" and narrower make the rabbet cut with the board flat on the table. Using the miter gauge fitted with a facing, follow the same procedures and instructions for crosscutting making successive

cuts across the width of the workpiece to obtain the desired width of cut. **DO NOT** use the rip fence for rabbeting across the end.

4. **INSTALL SMART GUARD SYSTEM IMMEDIATELY UPON COMPLETION OF RABBETING OPERATION.**

Rabbet cuts can also be made in one pass of the workpiece over the cutter using the dado head.



DADO CUTTING

Instructions for operating the saw with Dado Head sets are contained in the booklet furnished with these accessories.

ALWAYS USE AN APPROPRIATE BOSCH TABLE INSERT AND WASHERS LISTED UNDER RECOMMENDED ACCESSORIES (see page 35).

ALWAYS PLACE THE BLADE WASHERS IN THE ORIGINAL POSITIONS WHEN YOU ARE FINISHED DADO CUTTING.

INSTALLING A DADO SET

A dado set is an accessory system used to make non-thru grooves or lap cuts on work pieces. These tools are commonly used in furniture and cabinet building. After work pieces have been properly dado cut, they can be tightly joined together. The GTS1031 table saw can accommodate dado cutting up to 1/2" wide in a single pass.

⚠ WARNING To reduce the risk of injury, always disconnect plug from power source before changing blades.

⚠ WARNING To reduce the risk of injury, always use the Bosch Dado Blade Table Insert No. TS1013 (comes with a dado accessory washer). Never make dado cuts without this insert. Do not use dado sets larger than 8" diameter. Never set dado cutters to any bevel angle other than the vertical 0° angle. Follow all warnings and instructions shown here and those that accompany your dado set. Failure to comply with these warnings may result in serious bodily injuries.

⚠ WARNING To reduce the risk of injury, do not use dado sets larger than 8 inches in diameter. The saw is not designed to accept larger sized dados.

USING STACKED DADO SETS

NOTE: These instructions are based on using the Bosch 8" and 6" Professional Dado Sets: Model Nos. PRO824DADO, PRO840DADO and PRO624DADO. They also apply to most standard stacked dado sets.

1. Disconnect plug from power source.
2. Remove the Barrier Guard Assembly and Anti-Kickback Device (see pages 12 & 13). Lower and lock the Riving Knife in its lowest position.
3. Remove standard table insert plate. Raise saw blade to maximum height.
4. Remove the arbor nut, then outer washer, and saw blade, (see page 15). Note: For only dado cutting, leave the inner washer in place. The outer washer will be replaced with the combination nut/washer included with the TS1013 insert.
5. Installing a dado stack (Fig. 55)

A) Place the desired parts of the dado set onto the arbor shaft.

B) Place the desired parts of the dado set onto the arbor shaft.

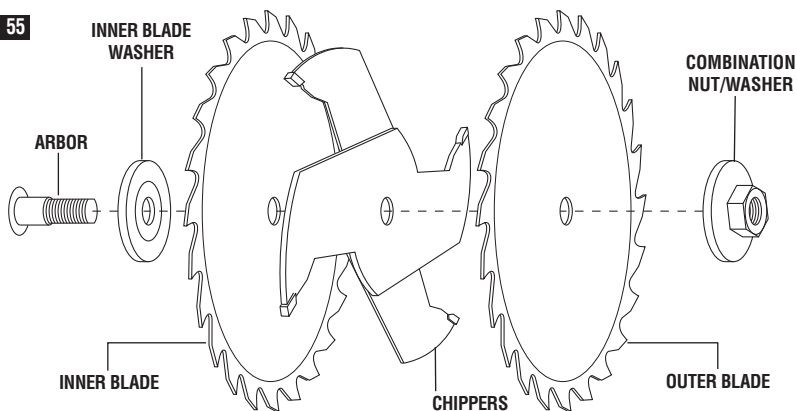
C) Place the supplied combination nut/washer from the Dado Accessory Kit (TS1013) onto the outside of the dado stack and tighten.

6. Placing dado blades and chippers: (see Fig. 55)

- For 1/4" wide cuts, place the two outside dado blades (cutters) on the shaft. The two dado outside blades may be different, check for information on the blade and the manufacturer's instructions for proper installation.

- For wider cuts (up to 1/2" maximum), chipper blades and spacers can be placed only between the outside blades (cutters).

FIG. 55



▲ WARNING To reduce the risk of injury, never use a single dado blade for normal saw thru-cutting. Never use chippers without both outside cutters. Read and follow all Operation/Safety Instructions included with the dado set.

NOTE: With this saw, do not exceed a stacked width greater than 1/2". Use combination nut/washer supplied with the TS1013

7. Lower the blades below the table top and insert the Bosch Dado Table Insert (TS1013) (Fig. 57). Raise the cutters to the desired depth of cut (above the insert). Check that the tool is not plugged into a power source; then carefully rotate the cutters by hand to make sure all components are tightly held and no interferences exist.

8. Plug saw into power source. Using scrap wood, make practice dado cuts and adjust height accordingly.

▲ WARNING To reduce the risk of injury, never pass your hands over the cutting dado blades. Dado cuts are non-thru (blind) cuts. Many times the cutters cannot be seen during cutting. See page 31 for instructions on Non Thru-sawing.

▲ WARNING To reduce the risk of injury, never make freehand cuts. The work piece must be held against the saw's fence or miter gauge as it is being fed. Whenever possible, use push sticks and push blocks for cutting (see page 30). Always use feather boards, attached to the table or fence, when rip cutting (See page 31). When cross cutting, firmly hold work piece against the miter gauge (see page 27).

NOTE: Because dado cuts are non-thru cuts, the miter gauge can be used with the fence locked in place. This is helpful when making repeat dado cross-cuts from the ends of more than one work piece. Each piece is held against the miter gauge and its end slides along the fence at a preset distance.

Depending on the final depth of cut and/or the density of the material, it may be required to make multiple cuts starting with small depths of 1/4" to 1/2" and progressing to final depth. When performing extensive repetitive dado cutting, periodically check the work pieces to see that the depth of cut is maintained.

RETURNING SAW TO NORMAL THRU-CUTTING

After completing your Dado cutting, be sure to return the inner and outer washers to the original positions (see page 15 for details). It is important that the original equipment washers are in the proper positions so that the saw blade always aligns with the permanently installed riving knife.

ADJUSTABLE OR WOBBLE DADO SETS

▲ WARNING To reduce the risk of injury, do not use adjustable or "wobble" dado sets on this saw. Adjustable dado sets can be easily set to positions that may interfere with working components of this saw.

FIG. 56

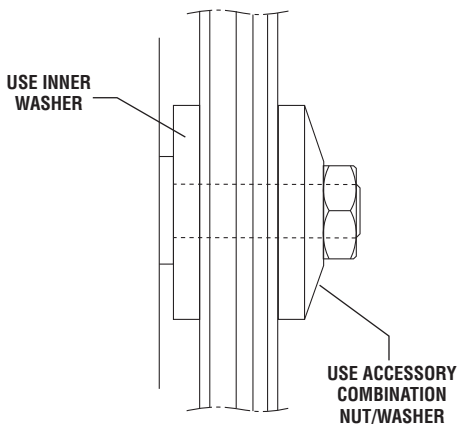
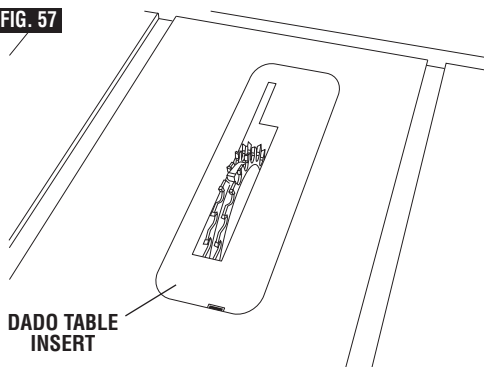


FIG. 57



SPECIAL CUTTING TECHNIQUES

⚠ WARNING This table saw is a highly versatile tool, capable of performing a wide range of highly specialized cuts that cannot be covered in this manual. Do not attempt to perform cuts not covered in this manual unless you are thoroughly familiar with procedures and fixturing.

See your local library for books on woodworking techniques, such as: *The Complete Book of Stationary Power Tool Techniques* by R.J. De Christoforo or *Table Saw Techniques* by R. Cliffe.

CUTTING METALS AND MASONRY

⚠ WARNING This table saw is not recommended for cutting metals, such as aluminum or copper, even with a special blade designed to cut these materials.

⚠ WARNING This table saw is not recommended for cutting any masonry material, even with abrasive cut-off wheels.

Maintaining Your Table Saw

MAINTENANCE

⚠ WARNING For your own safety, turn switch "OFF" and remove plug from power source outlet before maintaining or lubricating your saw.

CLEAR DUST CHUTE/SCOOP

At times, thin cut-offs may fall through the table insert and down into the dust chute. These may accumulate and hamper dust collection. Your GTS1031 is designed with a tool-free access Dust Chute/Scoop for quickly and easily clearing this space.

⚠ WARNING For your own safety, turn switch "OFF" and remove plug from power source outlet before maintaining your saw.

1. Loosen dust chute/scoop retainer 1 screw. See Fig 58.
2. Remove the 2 dust chute/scoop by sliding it away from the tool and clear any debris.
3. Reattach 2 dust chute/scoop and secure with retainer screw.

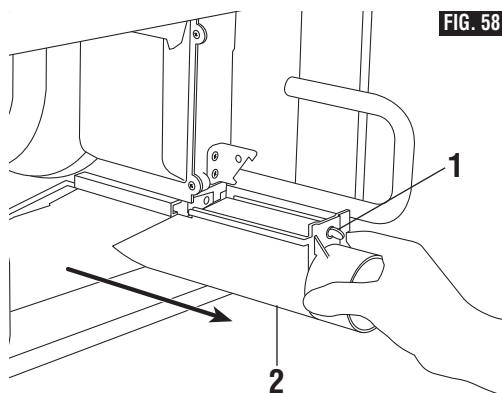


FIG. 58

⚠ WARNING Tool should not be operated without securing dust chute/scoop properly with the retainer screw.

Do not allow sawdust to accumulate inside the saw. Frequently blow out any dust that may accumulate inside the saw cabinet, motor or blade elevation gears. Clean your cutting tools (i.e. blades) with a Gum and Pitch Remover.

Periodically clean the guard. Wipe it or blow it clean with compressed air.

The cord and the tool should be wiped with a dry clean cloth to prevent deterioration from oil and grease.

⚠ CAUTION Certain cleaning agents and solvents can damage plastic parts. Some of these are: gasoline, carbon tetrachloride, chlorinated cleaning solvents, ammonia and household detergents which contain ammonia. Avoiding use of these and other types of cleaning agents will minimize the possibility of damage.

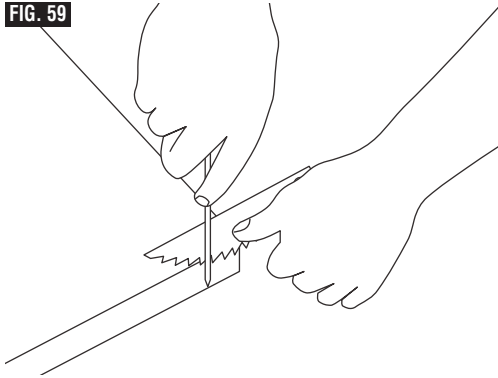
A coat of automobile-type wax applied to the table will help to keep the surface clean and allow workpieces to slide more freely.

If the power cord is worn or cut, or damaged in any way, have it replaced immediately.

Make sure the teeth of the ANTIKICKBACK pawls are always sharp. To sharpen:

1. Remove blade guard.
2. Rotate pawl toward rear of spreader so that teeth are above top of spreader.
3. Hold spreader with pawl over corner of workbench (Fig. 59).
4. Using a small round file (Smooth Cut) sharpen the teeth.

FIG. 59



⚠ WARNING

All repairs, electrical or mechanical, should be attempted only by trained repairmen. Contact the nearest Factory Service Center or Authorized Service Station or other competent repair service. Use only identical replacement parts, any other may create a hazard.

LUBRICATION

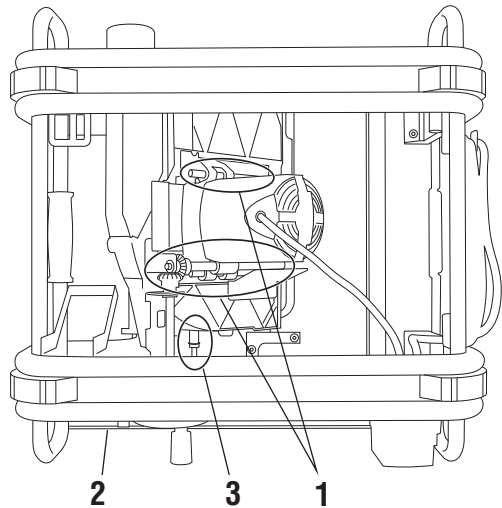
The gear case has been completely lubricated at the factory. However, after six months to one year, depending upon use, it's wise to return your tool to the nearest Service Center for the following:

- Brushes replaced.
- Parts cleaned and inspected.
- Relubricated with fresh lubricant.
- Electrical system tested.
- All repairs.

The following parts should be oiled occasionally with SAE No. 20 or No. 30 oil, or WD 40 (Fig. 60).

1. Elevation, support rods, and gears.
2. Sliding rails and supports.
3. Table locking cams (Front & Rear).

FIG. 60



Recommended Accessories

Item	Cat. No.	Item	Cat. No.
Dust bag	TS1004	Pusher Guide System	TS1010
Zero Clearance Insert	TS1012	Table Saw Stand	GTA500
Dado Insert Set	TS1013		

⚠ WARNING

Use only recommended accessories. Follow instructions that accompany accessories. Use of improper accessories may cause hazards.

Troubleshooting

▲ WARNING Turn switch “OFF” and always remove plug from the power source before trouble shooting.

TROUBLE: SAW WILL NOT START

- | | |
|----------------|--|
| PROBLEM | <ol style="list-style-type: none"> 1. Power cord is not plugged in. 2. Fuse or circuit breaker tripped. 3. Cord damaged. 4. Burned out switch. |
| REMEDY | <ol style="list-style-type: none"> 1. Plug saw in. 2. Replace fuse or reset tripped circuit breaker. 3. Have cord replaced by an Authorized Bosch Service Center or Service Station. 4. Have switch replaced by an Authorized Bosch Service Center or Service Station. |

TROUBLE: BLADE DOES NOT COME UP TO SPEED

- | | |
|----------------|---|
| PROBLEM | <ol style="list-style-type: none"> 1. Extension cord too light or too long. 2. Low house voltage. |
| REMEDY | <ol style="list-style-type: none"> 1. Replace with adequate cord. 2. Contact your electric company. |

TROUBLE: EXCESSIVE VIBRATION

- | | |
|----------------|--|
| PROBLEM | <ol style="list-style-type: none"> 1. Failure to tighten tilt lock handle. 2. Blade out of balance. 3. Saw not mounted securely to stand or workbench. 4. Arbor Nut not tight. |
| REMEDY | <ol style="list-style-type: none"> 1. See “Getting To Know Your Table Saw” section, (Page 9- 10). 2. Discard Blade and use different blade. 3. Tighten all mounting hardware, See “Mounting the Table Saw” section, (Page 16). 4. See “Assembly” section, “Changing The Blade” (Page 14-15). |

TROUBLE: CUT BINDS, BURNS, STALLS MOTOR WHEN RIPPING

- | | |
|----------------|---|
| PROBLEM | <ol style="list-style-type: none"> 1. Dull blade with improper tooth set. 2. Warped board. 3. Rip fence not parallel to blade. 4. Spreader out of alignment.. |
| REMEDY | <ol style="list-style-type: none"> 1. Sharpen or replace blade. 2. Make sure concave or hollow side is facing “DOWN” feed slowly. 3. See “Operating Adjustments” section “Aligning Rip Fence” (Page 19). 4. See “Assembly” section, “Attaching Blade Guard” (Page 12 - 13). |

TROUBLE: CUT NOT TRUE AT 90° OR 45° POSITIONS

- | | |
|----------------|--|
| PROBLEM | <ol style="list-style-type: none"> 1. Alignment screws not adjusted properly. |
| REMEDY | <ol style="list-style-type: none"> 1. See “Operating Adjustments” section, “Adjusting Blade Parallel to Miter Gauge Slots” (Page 18). |

TROUBLE: TILT LOCK HANDLE ELEVATION WHEEL HARD TO MOVE

- | | |
|----------------|--|
| PROBLEM | <ol style="list-style-type: none"> 1. Blade tilt lock handle not loosened when making tilt adjustment. 2. Saw dust on depth screw threads. |
| REMEDY | <ol style="list-style-type: none"> 1. See “Getting To Know Your Table Saw” section, “Blade Tilt Lock Knob” (9-10). 2. See “Maintaining Your Table Saw” section, “Lubrication” (Page 35). |

Consignes générales de sécurité

A AVERTISSEMENT

« LIRE TOUTES LES INSTRUCTIONS » L'utilisateur qui négligerait de suivre les consignes de sécurité énoncées ci-dessous et de prendre d'autres précautions élémentaires risquerait de subir de graves blessures.

Zone de travail

NE LAISSEZ PAS LES ENFANTS S'APPROCHER

Ne laissez aucune personne entrer en contact avec l'outil ou le cordon de rallonge. Tout visiteur doit se tenir à une distance suffisante de la zone de travail.

ASSUREZ-VOUS QUE VOTRE ZONE DE TRAVAIL EST BIEN DÉGAGÉE

Des lieux et des établis encombrés multiplient les risques d'accident.

FAITES EN SORTE QUE VOTRE ATELIER NE PRÉSENTE AUCUN DANGER POUR LES ENFANTS

en installant des cadenas et des interrupteurs généraux.

NE TRAVAILLEZ PAS DANS UN ENVIRONNEMENT DANGEREUX

Un outil électrique ne doit jamais être employé dans un endroit humide ou mouillé, ni être exposé à la pluie. Éclairiez bien les lieux où vous travaillez. N'utilisez pas l'outil en présence de liquides ou de gaz inflammables.

Sécurité de l'utilisateur

FAMILIARISEZ-VOUS AVEC VOTRE OUTIL

Lisez attentivement le manuel de l'utilisateur et les étiquettes collées sur l'outil, afin de bien les comprendre. Vous devez connaître aussi bien les possibilités et les limites de l'outil que les dangers éventuels précis qu'il présente.

GARDEZ TOUJOURS VOTRE ÉQUILIBRE

Assurez-vous que vous ne risquez pas de trébucher ou de perdre l'équilibre.

RESTEZ SUR VOS GARDES

Gardez toujours les yeux sur votre travail. Faites preuve de bon sens. N'utilisez pas l'outil quand vous êtes fatigué, ni si vous êtes sous l'effet d'un médicament, de l'alcool ou d'une autre drogue.

PORTEZ DES VÊTEMENTS APPROPRIÉS

Évitez de porter des vêtements flottants ou des bijoux qui risqueraient d'être happés par des pièces mobiles. Le port de gants en caoutchouc et de chaussures à semelle antidérapante est recommandé si vous travaillez à l'extérieur. Portez une coiffure de protection si vous avez les cheveux longs.

PORTEZ DES LUNETTES DE SÉCURITÉ

Portez également un masque facial ou un masque antipoussières si l'opération de coupe produit de la poussière, ainsi que des protège-oreilles lors de travaux de longue durée.

PROTÉGEZ-VOUS CONTRE LES CHOC ÉLECTRIQUES

Évitez d'entrer en contact avec les surfaces mises à la terre, telles que tuyaux, radiateurs, cuisinières et réfrigérateurs, quand vous utilisez l'outil.

DÉBRANCHEZ LES OUTILS

Quand ils ne servent pas ; avant l'entretien ; avant de changer les lames, les forets, les couteaux, etc.

LAISSEZ EN PLACE LES CARTERS DE PROTECTION

Ils doivent être en bon état, bien réglés et bien alignés.

ENLEVEZ LES CLÉS DE RÉGLAGE ET SERRAGE

Quand ils ne servent pas ; avant l'entretien ; avant de changer les lames, les forets, les couteaux, etc.

ÉVITEZ LES MISES EN MARCHÉ ACCIDENTELLES

Assurez-vous que l'interrupteur est en position « ARRÊT » quand vous branchez l'outil.

NE MONTEZ JAMAIS SUR L'OUTIL NI SUR SON SOCLE

L'utilisateur s'expose à de graves blessures s'il renverse l'outil ou s'il entre en contact avec l'outil de coupe. Ne pas entreposer des objets quelconques, sur l'outil ou près de celui-ci, de façon à ce qu'il faille monter sur l'outil ou sur son socle pour les atteindre.

EXAMINEZ LES PIÈCES ENDOMMAGÉES

Avant de poursuivre votre travail, examinez soigneusement toute pièce endommagée afin de vérifier si elle fonctionne toujours correctement et qu'elle remplit la fonction voulue. Vérifiez que les pièces mobiles sont correctement alignées et bien assujetties, et remédiez à tout autre problème qui risquerait d'affecter son fonctionnement. Un carter de sécurité ou toute autre pièce qui serait en mauvais état doivent être réparés.

A AVERTISSEMENT

Les réparations électriques ou mécaniques ne doivent être entreprises que par des techniciens qualifiés. Adressez-vous à votre Centre de service en usine Bosch le plus proche, à une Station-service Bosch agréée ou à un autre service de réparation compétent.

A AVERTISSEMENT

N'utilisez que des pièces de rechange Bosch; tout autre type de pièce risquerait de présenter un danger.

A AVERTISSEMENT

N'utilisez que des accessoires que le fabricant recommande pour votre modèle d'outil. Certains accessoires peuvent convenir à un outil, mais être dangereux avec un autre.

Utilisation de l'outil

N'IMPOSEZ PAS DE CONTRAINTES EXCESSIVES À L'OUTIL

Il sera plus efficace et plus sûr si vous le faites fonctionner au régime pour lequel il a été conçu.

EMPLOYEZ L'OUTIL QUI CONVIENT

N'employez pas un outil ou un accessoire de capacité réduite pour faire un travail exigeant un outil de grande puissance. N'utilisez pas l'outil pour des travaux autres que ceux pour lesquels

« CONSERVEZ CES INSTRUCTIONS »

Consignes de sécurité supplémentaires

il a été conçu. Par exemple, n'utilisez pas une scie circulaire pour couper des branches d'arbre ou des rondins.

ASSUJETTISSEZ BIEN LA PIÈCE SUR LAQUELLE VOUS TRAVAILLEZ

Maintenez-la en place avec des serre-joints ou un étau. Vous courrez moins de risques qu'en la tenant à la main, et garderez ainsi les deux mains libres pour actionner l'outil.

DIRECTION DE COUPE

Faites avancer l'ouvrage contre une lame ou autre outil de coupe uniquement dans la direction opposée au sens de rotation de ces derniers.

NE VOUS ÉLOIGNEZ JAMAIS DE L'OUTIL SANS L'ARRÊTER

Coupez le contact et ne vous éloignez pas avant que l'outil ait complètement cessé de fonctionner.

Entretien de l'outil

NE MODIFIEZ PAS L'OUTIL ET NE LE SOUMETTEZ PAS À UN USAGE ABUSIF

Cet outil a été fabriqué selon des critères de haute précision. Toute modification ou transformation non prévue constitue un usage abusif et risque de présenter un danger.

ÉVITEZ LES ENDROITS À L'ATMOSPHÈRE CONTAMINÉE PAR DES GAZ

N'employez pas d'outils électriques dans une atmosphère gazeuse ou explosive. Les moteurs de ces outils produisent normalement des étincelles qui risqueraient de présenter un danger.

PRENEZ SOIN DE VOS OUTILS ET ENTRETENEZ-LES BIEN

En les gardant bien affûtés et propres, vous en obtiendrez le rendement maximum dans des conditions optimales de sécurité. Suivez les instructions pour le graissage ou la pose et le démontage des accessoires. Inspectez les cordons d'alimentation à intervalles réguliers et, s'ils sont endommagés, faites-les réparer à un centre de service après-vente autorisé. Inspectez périodiquement les cordons de rallonge et remplacez ceux qui ont été endommagés. Gardez les poignées des outils sèches, propres et exemptes de toute trace d'huile ou de graisse.

A AVERTISSEMENT

Avant de raccorder votre outil à une source de courant (prise de courant, etc.), assurez-vous que la tension est bien la même que celle indiquée sur la plaque d'identification de l'outil. Le branchement d'un outil sur une source de courant ayant une tension supérieure à celle prescrite par le fabricant présente des risques de dommages corporels graves pour l'utilisateur et peut causer des dégâts à l'outil. En cas de doute, NE BRANCHEZ PAS L'OUTIL SUR UNE PRISE DE COURANT. L'utilisation d'une source de courant ayant une tension inférieure à celle indiquée sur la plaque d'identification peut endommager le moteur.

A AVERTISSEMENT

Pour votre sécurité, ne mettez pas en marche votre perceuse avant de l'avoir complètement assemblée et installée conformément aux instructions... et d'avoir lu et compris les chapitres suivants :

1. Consignes générales de sécurité	37-40
2. Outils à double isolation	41
3. Familiarisez-vous avec votre scie à table	44-45
4. Assemblage	47-51
5. Réglages	52-56
6. Utilisation de la scie à table	57-69
7. Entretien	69-70

7. STABILITÉ DE LA SCIE

Votre scie DOIT ÊTRE SOLIDEMENT BOULONNÉE sur un support ou établi. En outre, si elle a la moindre tendance à basculer ou à bouger lors de certaines opérations telles que la coupe de longues et lourdes planches, utilisez un support auxiliaire.

8. LIEU D'UTILISATION

Utilisez la scie dans un endroit bien éclairé et installez-la sur une surface plane, propre et suffisamment dégagée pour que vous ne risquiez pas de trébucher ou de tomber. Choisissez un endroit assez grand pour que l'utilisateur comme l'observateur ne soient pas forcés de se tenir dans l'axe longitudinal de la lame.

9. REBOND

Un rebond éventuel peut causer de graves blessures. Un « RE-BOND » se produit lorsqu'une partie de l'ouvrage se coince entre la lame et le guide de refente ou autre objet fixe. Un rebond peut aussi avoir lieu si la lame se coince dans l'ouvrage en raison d'un mauvais alignement. Lors d'un rebond, l'ouvrage est soulevé de la table de coupe et projeté en direction de l'utilisateur. Tenez-vous (votre visage y compris) de côté par rapport à la lame afin de ne pas vous trouver sur la trajectoire de l'ouvrage en cas de « REBOND ».

ON PEUT GÉNÉRALEMENT ÉVITER LES REBONDS ET D'ÉVENTUELLES BLESSURES EN PRENANT LES PRÉCAUTIONS SUIVANTES :

- Veiller à ce que le guide de refente soit parallèle à la lame.
- Garder la lame bien affûtée. Remplacer ou affûter les taquets anti-rebond lorsqu'ils sont émoussés.
- Laisser en place le protège-lame, le séparateur et les taquets anti-rebond et veiller à ce qu'ils jouent correctement leur rôle. Le séparateur doit être aligné avec la lame et les taquets doivent couper court à tout rebond éventuel. Vérifier s'ils fonctionnent avant de procéder à toute coupe en long.
- NE PAS faire de coupe en long sur une pièce voilée ou gondolée ou qui ne comporte pas de bordure rectiligne pouvant glisser convenablement contre le guide de refente.
- NE PAS relâcher la pression exercée sur l'ouvrage avant d'avoir poussé ce dernier complètement hors de la lame.
- Utiliser une baguette-poussoir pour la coupe en long de pièces de 2 à 6 po de largeur et un guide de coupe auxiliaire et un plateau-poussoir pour la coupe en long de pièces d'une largeur inférieure à 2 po (voir « Utilisation de la scie avec le guide de refente », aux pages 64-65).

« CONSERVEZ CES INSTRUCTIONS »

Consignes de sécurité supplémentaires

g. NE PAS LAISSER entre la lame et le guide de coupe la partie venant d'être coupée (coupe en long ou en travers).

h. Pour la coupe en long, faire avancer l'ouvrage en appliquant la pression sur la section de ce dernier située entre la lame et le guide de refente. Le cas échéant, se servir d'une baguette-poussoir ou d'un plateau-poussoir (voir « f », ci-dessus).

10. PROTECTION : Yeux, mains, visage, oreilles et reste du corps.

▲ AVERTISSEMENT

NE PAS PORTER DE :

POUR NE PAS ÊTRE HAPPÉ PAR L'OUTIL DE COUPE ...

**gants de trop grande taille
vêtements flottants
cravate, bijoux**

ATTACHEZ LES CHEVEUX LONGS

ROULEZ LES MANCHES LONGUES JUSQU'AU-DESSUS DES COUDES

a. Si une pièce quelconque de la scie manque, ne fonctionne pas, est endommagée ou cassée (p. ex., interrupteur du moteur, autre commande, dispositif de sécurité ou câble d'alimentation), cessez d'utiliser l'outil jusqu'à ce que la pièce en question soit correctement réparée ou remplacée.

b. Portez des lunettes de sécurité et un masque facial si la coupe produit beaucoup de sciure. Portez un serre-tête antibruit ou des bouchons d'oreilles lors d'opérations de longue durée. Des fragments de bois ou d'autres objets de petite taille qui entreraient en contact avec l'arrière de la lame en mouvement pourraient être violemment projetés en direction de l'utilisateur. On peut généralement éviter ce genre d'incident en maintenant en place le protège-lame et le séparateur pour toutes les opérations de coupe de l'ouvrage « DE PART EN PART » (d'un bord à l'autre) ET en faisant tomber tous les fragments de matériau de la table de coupe à l'aide d'un bâton, DÈS qu'ils se détachent.

c. Faites très attention lorsque vous exécutez des opérations nécessitant le démontage du protège-lame, tels que les coupes de dédoublement, le rainurage et l'exécution de feuillures ou de moulures, et remettez le protège-lame en place dès que l'opération est terminée.

d. Ne mettez JAMAIS la scie en marche avant d'avoir dégagé la table de coupe de tous outils, fragments de bois, etc. pouvant s'y trouver, exception faite de l'ouvrage et des accessoires devant servir à le faire avancer ou à le soutenir pendant l'opération prévue.

e. Ne vous tenez JAMAIS (votre visage y compris) dans l'axe longitudinal de l'outil de coupe.

- Ne mettez JAMAIS vos doigts ou mains dans une position telle qu'ils risquent de se faire happer par la lame ou tout autre outil de coupe.

- Ne tendez JAMAIS le bras par-dessus l'outil de coupe afin de maintenir ou soutenir l'ouvrage, de retirer des fragments de bois ou pour toute autre raison. Évitez les opérations et posi-

tions délicates pouvant faire que vos doigts ou mains entrent en contact avec la lame ou l'outil de coupe s'ils venaient à glisser.

- Ne travaillez JAMAIS « À MAIN LEVÉE » — servez-vous toujours soit du guide de refente, soit du guide de coupe angulaire pour positionner et guider l'ouvrage.

- N'utilisez JAMAIS le guide de refente pour pratiquer des coupes transversales, ni le guide de coupe angulaire pour exécuter des coupes en long. N'utilisez PAS le guide de refente comme butée longitudinale.

- Ne tenez ni ne touchez JAMAIS « l'extrémité libre » de l'ouvrage, ni aucun morceau de bois venant d'être coupé, alors que la machine est en marche ou que la lame tourne.

- Arrêtez la machine et débranchez le cordon d'alimentation avant d'enlever l'élément amovible de la table de coupe, de changer l'outil de coupe, de retirer ou de remettre en place le protège-lame, ou de procéder à tout réglage.

- En cas de découpage de longues pièces ou de pièces plus larges que la table de coupe, prévoyez des supports à l'arrière et sur les côtés de la scie.

- Votre scie peut couper le plastique et les matériaux composites (tels que les panneaux de fibres comprimées). Toutefois, étant donné que ces matériaux sont en général très durs et glissants, il se peut que les taquets anti-rebond ne remplissent pas leur office. Par conséquent, veillez à vous conformer absolument à la marche à suivre pour les coupes en long, aussi bien en ce qui concerne les préparatifs que la coupe proprement dite. Ne vous tenez pas, et ne laissez personne se tenir dans l'axe d'un rebond éventuel.

f. Si la lame se coince dans l'ouvrage, mettez l'interrupteur de la scie en position « ARRÊT », dégagez l'ouvrage et assurez-vous que la lame est parallèle aux fentes ou rainures de la table et que le séparateur est bien aligné avec la lame. Si la chose se produit au cours d'une opération de coupe en long, vérifiez si le guide de refente est parallèle à la lame. Le cas échéant, faites les réglages selon les instructions.

g. Ne faites JAMAIS de coupe par lots (c'est-à-dire aligner plus d'une pièce en face de la lame, verticalement ou horizontalement, et pousser le tout contre la lame). La lame pourrait se coincer dans une ou plus d'une pièce et provoquer une perte de contrôle et d'éventuelles blessures.

h. NE DÉGAGEZ PAS de fragments de matériau pouvant être emprisonnés dans le protège-lame pendant que la scie est en marche. Vous risqueriez de vous blesser les mains ou de provoquer un rebond. Mettez l'interrupteur en position « ARRÊT » et attendez que la lame s'immobilise.

i. Ne vous penchez pas au-dessus de la base de la scie à table. Gardez les mains à bonne distance de la lame en train de tourner.

« CONSERVEZ CES INSTRUCTIONS »

Consignes de sécurité supplémentaires

11. FAMILIARISEZ-VOUS AVEC VOS OUTILS DE COUPE

Si l'outil de coupe est émoussé, encrassé, mal aiguisé ou mal installé, l'ouvrage risque de provoquer un grippage, de coincer la lame ou de bloquer la machine, ou encore de donner lieu à un rebond en direction de l'utilisateur. Limitez les risques de blessures en entretenant correctement l'outil de coupe et la machine. **NE TENTEZ JAMAIS DE DÉGAGER UNE LAME QUI S'EST BLOQUÉE SANS AVOIR D'ABORD MIS L'INTERRUPTEUR EN POSITION « ARRÊT ».**

a. Ne vous servez **JAMAIS** de meules, de disques abrasifs de découpage, de roues de friction (fraises-scies), de brosses métalliques ou de disques de polissage.

b. **N'UTILISEZ QUE DES ACCESSOIRES RECOMMANDÉS.**

c. Les coupes transversales seront plus aisées et la sécurité sera meilleure si vous montez une planche de guidage auxiliaire sur le guide de coupe angulaire (voir page 61).

d. Assurez-vous que la partie supérieure de l'outil de coupe tourne dans votre direction lorsque vous vous tenez en position de coupe. Vérifiez également si l'outil de coupe, les colliers de l'arbre et l'écrou de fixation sont correctement installés. Maintenez l'outil de coupe le plus bas possible pour l'opération envisagée. Dans la mesure du possible, laissez en place tous les éléments de protection.

• N'utilisez aucune lame ou aucun autre type d'outil de coupe conçus pour une vitesse de rotation inférieure à 5000 tr/mn. N'utilisez jamais un outil de coupe d'un diamètre supérieur au diamètre maximum en fonction duquel la scie a été conçue. Pour une efficacité et une sécurité maximums lors d'opérations de coupe en long, servez-vous d'une lame du diamètre maximum autorisé; ainsi, le séparateur sera tout près de la lame.

e. Assurez-vous que l'élément amovible de la table de coupe est exactement à niveau avec la table ou légèrement en retrait par rapport à cette dernière sur tous les côtés mis à part l'arrière. N'utilisez **JAMAIS** la scie sans que l'élément approprié soit en place.

12. LA SÉCURITÉ AVANT TOUT

POUR ASSURER SA SÉCURITÉ, L'UTILISATEUR DOIT FAIRE PREUVE DE BON SENS ET DE PRUDENCE PENDANT TOUT LE TEMPS OÙ IL SE SERT DE LA SCIE À DÉCOUPER.

⚠ AVERTISSEMENT

Ne laissez pas l'habitude (découlant d'un usage fréquent de votre scie) endormir votre vigilance. N'oubliez jamais qu'une fraction de seconde d'inattention peut entraîner de graves blessures.

⚠ AVERTISSEMENT



Portez Des Lunettes De Protection

Les outils électriques peuvent projeter des corps étrangers dans les yeux de leur utilisateur et lui infliger de graves blessures oculaires. Portez toujours des lunettes de sécurité répondant aux normes ANSI Z87.1

(cette caractéristique est indiquée sur l'emballage) avant d'utiliser un outil électrique.

⚠ AVERTISSEMENT

Les travaux à la machine tel que ponçage, sciage, meulage, perçage et autres travaux du bâtiment peuvent créer des poussières contenant des produits chimiques qui sont des causes reconnues de cancer, de malformation congénitale ou d'autres problèmes reproductifs. Ces produits chimiques sont, par exemple :

- Le plomb provenant des peintures à base de plomb,
- Les cristaux de silices provenant des briques et du ciment et d'autres produits de maçonnerie, et
- L'arsenic et le chrome provenant des bois traités chimiquement

Le niveau de risque dû à cette exposition varie avec la fréquence de ces types de travaux. Pour réduire l'exposition à ces produits chimiques, il faut travailler dans un lieu bien ventilé et porter un équipement de sécurité approprié tel que certains masques à poussière conçus spécialement pour filtrer les particules microscopiques.

LISEZ ET SUIVEZ LES CONSIGNES DE SÉCURITÉ FIGURANT À L'AVANT DE VOTRE SCIE DE TABLE.

⚠ AVERTISSEMENT Pour votre propre sécurité - Lisez et comprenez le mode d'emploi avant d'utiliser la scie. • Portez des lunettes de sécurité, un dispositif de protection des oreilles et un masque antipoussière adapté aux travaux. Apprenez comment utiliser la scie, l'accessoire et les accessoires. • Avant de commencer toute coupe, lavez-vous soigneusement les mains, vérifiez ce qui suit :
- Si l'accessoire de protection de la lame est correctement installé et fonctionnel.
- Si l'accessoire de protection de la lame est correctement installé et fonctionnel.
- Si l'accessoire de protection de la lame est correctement installé et fonctionnel.
- Si l'accessoire de protection de la lame est correctement installé et fonctionnel.

- Le protègeur de coupe est ajusté juste au-dessus de l'épaisseur de l'ouvrage.
- Pour les coupes longitudinales :
- Si vous travaillez sur une surface de la lame ou sur la table de la scie.
- Si vous travaillez sur une surface qui ne présente pas l'éclairage sur ce dernier.
- Si vous travaillez sur une surface.
- Si vous travaillez sur une surface.
- Si vous travaillez sur une surface.
- Si vous travaillez sur une surface.


• Apprenez comment utiliser le cliquet de choc en milieu. • Apprenez pas l'usage correct de la scie de la lame en milieu de coupe. • Ne vous laissez pas encrasser la lame ou le mécanisme de coupe. • Vérifiez que vous n'avez pas de blessures ou de lésions de la peau avant de commencer à travailler. • Utilisez la scie avec précaution et ne laissez pas l'outil de coupe se déplacer. • Ne laissez pas les déchets de la coupe se collecter

sur la table ou la lame en train de tourner. • Ne tentez jamais de retirer des matériaux excédentaires ou excès de matière que la lame ne peut éliminer facilement. • Ne tentez jamais de couper en utilisant la table d'appui et le mécanisme de protection de la lame. • Ne tentez jamais de couper en utilisant la table d'appui et le mécanisme de protection de la lame. • Ne tentez jamais de couper en utilisant la table d'appui et le mécanisme de protection de la lame. • Ne tentez jamais de couper en utilisant la table d'appui et le mécanisme de protection de la lame.

capable d'éliminer pour le remettre en position juste au-dessus de la hauteur de la lame de coupe. • Pour les coupes de grande longueur, la machine doit être dirigée dans la position la plus basse. • Assurez-vous que la lame est correctement alignée avec la table de la scie. • Assurez-vous que la lame est correctement alignée avec la table de la scie. • Assurez-vous que la lame est correctement alignée avec la table de la scie. • Assurez-vous que la lame est correctement alignée avec la table de la scie.

« CONSERVEZ CES INSTRUCTIONS »

Double isolation

La double isolation  est utilisée dans les outils électriques pour éliminer le besoin de cordon d'alimentation trois fils, dont la prise de terre, et de dispositif d'alimentation à prise de terre. Elle est homologuée par l'Underwriter's Laboratories, l'ACNOR et l'OSHA.

IMPORTANT : L'entretien d'un outil à double isolation exige la connaissance du système et la compétence d'un technicien qualifié

EN CAS D'ENTRETIEN, N'UTILISEZ QUE DES PIÈCES DE RECHANGE IDENTIQUES.

FICHES POLARISÉES. Si votre outil est équipé d'une fiche polarisée (une lame plus large que l'autre) elle ne s'enfiche que d'une manière dans une prise polarisée. Si la fiche n'entre pas à fond dans la prise, tournez-la d'un demi-tour. Si elle refuse encore d'entrer, demandez à un électricien qualifié d'installer une prise appropriée. Pour réduire le risque de chocs électriques, ne modifiez la fiche d'aucune façon.

RALLONGES

AVERTISSEMENT Remplacez immédiatement toute rallonge endommagée. L'utilisation de rallonges endommagées risque de provoquer un choc électrique, des brûlures ou l'électrocution.

AVERTISSEMENT Toujours utiliser une rallonge appropriée. En cas de besoin d'une rallonge, utilisez un cordon de calibre satisfaisant pour éviter toute chute de tension, perte de courant ou surchauffe. Le tableau ci-contre indique le calibre des rallonges recommandées en fonction de leur longueur et de l'intensité indiquée sur la plaque du constructeur de l'outil. En cas de doute, optez pour le prochain calibre inférieur. Utilisez toujours des rallonges homologuées par l'U.L. et l'ACNOR.

DIMENSIONS DE RALLONGES RECOMMANDÉES OUTILS 120 VOLTS COURANT ALTERNATIF

Intensité nominale de l'outil	Longueur en pieds				Longueur en mètres			
	Calibre A.W.G.				Calibre en mm ²			
	25	50	100	150	15	30	60	120
3-6	18	16	16	14	0.75	0.75	1.5	2.5
6-8	18	16	14	12	0.75	1.0	2.5	4.0
8-10	18	16	14	12	0.75	1.0	2.5	4.0
10-12	16	16	14	12	1.0	2.5	4.0	—
12-16	14	12	—	—	—	—	—	—

REMARQUE : Plus le calibre est petit, plus le fil est gros.

« CONSERVEZ CES INSTRUCTIONS »

Table des matières

	Page		Page
Consignes générales de sécurité	37	Compartiment de rangement du guide de refente	45
Consignes de sécurité supplémentaires	38-40	Rangement du poussoir et des clés hexagonales	45
Double isolation et rallonges	41	Poignée de transport à une seule main	45
Table des matières	41-42	Rangement du système Smart Guard	45
Lexique	42-43	Raccord d'aspiration/orifice de dépoussiérage	45
Outils nécessaires à l'assemblage	43	Rangement du dispositif de protection contre les chocs en retour	45
Familiarisez-vous avec votre scie de table	44-45	Compartiment de rangement du guide de coupe angulaire	45
Interrupteur	44	Clé hexagonale et rangement	45
Volant de réglage de hauteur	44	Dispositif de fixation sur le support	45
Poignée de verrouillage du dispositif d'inclinaison de la lame	44	Ouverture de l'emballage et vérification du contenu	46
Échelle d'inclinaison de la lame	44	Liste des pièces fournies	46
Embase/Sous-embase	44	Assemblage	47-51
Poignée de verrouillage de la rallonge de table	44	Montage des composants du système	
Poussoir	44	Smart Guard	48-49
Rallonge de table	44	Changement de la lame	49-50
Guide de refente	44	Montage du guide de refente	51
Échelle du guide de refente	44	Installation de la scie de table	51
Système Smart Guard	44	Réglages	52-56
Élément amovible de la table de coupe	44		
Table de coupe	45		
Guide de coupe angulaire	45		
Rangement du cordon	45		

	Page		Page
Réglage des butées fixes à 90° et à 45	.52	Coupe transversale	.62
Réglage du parallélisme de la lame	.53	Coupe à répétition	.63
Alignement du guide de refente	.54	Coupe angulaire	.63
Réglage de l'indicateur du guide de refente	.54	Coupe transversale biseautée	.63
Réglage de l'indicateur de la table	.55	Coupe angulaire biseautée	.63
Alignement du Couteau Diviseur	.55	Utilisation du guide de refente	.64-66
Réglage de l'élément rapporté de la table	.56	Coupe en long	.65
Utilisation de la scie de table	.57-69	Coupe partielle	.66
Interrupteur de sécurité	.57	Feuillures	.66
Système Smart Guard	.57-58	Rainures	.67-68
Réglage de l'inclinaison de la lame	.59	Entretien de la scie de table	.69-89
Réglage de la rallonge de table	.59	Déversoir de poussière avec réceptacle	.69
Utilisation de l'indicateur du guide de refente	.59	Lubrification	.70
Utilisation de l'indicateur de la table	.59	Accessoires	.70
Accessoires de sciage	.60	Guide de diagnostic	.71
Utilisation du guide de coupe angulaire	.61		

Lexique

OUVRAGE

Pièce subissant l'opération de coupe. Les différentes surfaces de l'ouvrage sont communément appelées faces, extrémités et bords.

TAQUETS ANTI-REBOND

Système qui, lorsqu'il est correctement entretenu, sert à empêcher que l'ouvrage ne soit projeté en direction de l'utilisateur.

ARBRE

Axe sur lequel est monté l'outil de coupe.

COUPE TRANSVERSALE

Opération de coupe ou de mise en forme faite dans le sens de la largeur de l'ouvrage (mise de l'ouvrage à la longueur voulue).

RAINURE

Coupe partielle produisant une entaille ou gorge de section carrée.

PLANCHE À LANGUETTES

Accessoire contribuant à guider l'ouvrage pendant les opérations de coupe en long; maintient l'ouvrage en contact avec le guide de refente et contribue à prévenir les rebonds.

COUPE À MAIN LÈVÉE

Coupe exécutée sans l'aide d'une butée, d'un guide orientable, d'un dispositif de fixation ou de retenue, ni d'aucun autre système visant à empêcher l'ouvrage de se déplacer pendant la coupe.

GOMME

Dépôt glutineux provenant de la sève des produits à base de bois; une fois durcie, se nomme « RÉSINE ».

DÉVIATION

Mauvais alignement de la lame faisant que sa partie arrière entre en contact avec la surface de l'ouvrage venant d'être coupée. Cette déviation peut entraîner des rebonds ou le blocage de la machine, faire forcer le moteur, provoquer un échauffement excessif de l'ouvrage ou faire que l'ouvrage se fende. D'une manière générale, une déviation de la lame empêche de réaliser des coupes propres et peut donner lieu à des situations dangereuses.

TRAIT DE SCIE

Entaille pratiquée par la lame lors d'une opération de coupe de part en part ou entaille laissée par la lame lors d'une opération de coupe partielle.

VOIE

Épaisseur du trait de scie, correspond à l'épaisseur de matière enlevée par la lame.

EXTRÉMITÉ AVANT

Extrémité de l'ouvrage qui entre la première en contact avec la lame lors d'une opération de coupe en long.

MOULURE

Coupe partielle de profil particulier servant à l'assemblage ou à la décoration.

COUPE PARTIELLE

Toute opération de coupe lors de laquelle la lame ne traverse pas complètement l'ouvrage.

BAGUETTE-POUSOIR

Accessoire servant à faire avancer l'ouvrage contre la lame lors d'opérations de coupe en long de pièces étroites de façon à ce que les mains de l'utilisateur demeurent à bonne distance de la lame. Servez-vous de la baguette-poussoir lorsque la largeur de la pièce à refendre se situe entre 2 et 6 pouces.

PLATEAU-POUSOIR

Accessoire utilisé lors d'opérations de coupe en long de pièces trop étroites pour que l'on puisse utiliser une baguette-poussoir. Servez-vous d'un plateau-poussoir lorsque la largeur de la pièce à refendre est inférieure à 2 pouces.

FEUILLURE

Entaille pratiquée sur le bord de l'ouvrage. On l'appelle parfois rainure de bord.

COUPE EN LONG

Coupe pratiquée dans le sens de la longueur de l'ouvrage (coupe de l'ouvrage à la largeur voulue).

TOURS-MINUTE (TR-MN)

Nombre de révolutions accomplies par un objet rotatif en l'espace d'une minute.

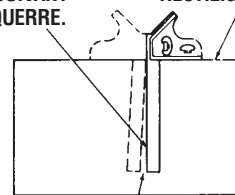
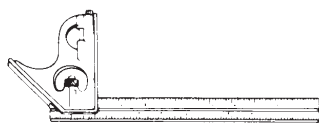
Outils nécessaires à l'assemblage et aux réglages

L'ÉQUERRE À COMBINAISON DOIT ÊTRE BIEN RÉGLÉE



TRACEZ UN TRAIT LÉGER SUR LE PANNEAU EN SUIVANT CE BORD DE L'ÉQUERRE.

PANNEAU DE 3/4 PO D'ÉPAISSEUR. CE BORD DOIT ÊTRE PARFAITEMENT RECTILIGNE.



LORSQUE L'ÉQUERRE EST POSITIONNÉE SUIVANT LE POINTILLÉ, IL NE DOIT Y AVOIR NI ÉCART, NI CHEVAUCHEMENT.

AVERTISSEMENT

Débranchez la fiche de la prise de courant avant d'effectuer tout assemblage, réglage ou réparation pour éviter d'éventuelles blessures.

Familiarisez-vous avec votre scie de table

1. INTERRUPTEUR MARCHE-ARRÊT

L'interrupteur comporte un orifice permettant d'y placer un cadenas afin d'empêcher une mise en marche accidentelle.

2. VOLANT DE RÉGLAGE DE HAUTEUR

Permet de lever ou d'abaisser la lame. Sert aussi à incliner la lame de 0° à 45°.

3. POIGNÉE DE VERROUILLAGE DU DISPOSITIF D'INCLINAISON DE LA LAME

Verrouille le mécanisme d'inclinaison après réglage de la lame dans la position voulue.

4. ÉCHELLE D'INCLINAISON DE LA LAME

Indique l'angle d'inclinaison de la lame.

5. EMBASE

Supporte la scie de table. Des orifices ont été créés dans l'embase pour boulonner la scie sur un établi ou une autre plateforme de support. Inclut des poignées intégrées pour le transport et le réglage.

6. POIGNÉE DE VERROUILLAGE DE LA RALLONGE DE TABLE

Permet de bloquer la rallonge de table à la distance désirée. Rend également impossible l'utilisation de la scie de table avec une rallonge non verrouillée.

7. POUSSOIR

Vous permet de refendre de petit morceaux de matériau avec un niveau de sécurité plus élevé.

8. RALLONGE DE TABLE

Élargit la surface de travail pour permettre de scier des pièces plus longues.

9. GUIDE DE REFENTE

Le guide de refente verrouillable et à alignement automatique exclusif peut être déplacé ou verrouillé facilement en place. Il suffit d'élever ou d'abaisser la poignée de verrouillage.

10. ÉCHELLE DU GUIDE DE REFENTE

Indique la distance entre la lame et le guide par l'intermédiaire d'un hublot pratique muni d'une loupe. Utilisez la partie inférieure de l'échelle jusqu'à 10 pouces et la partie supérieure au-delà 10 pouces.

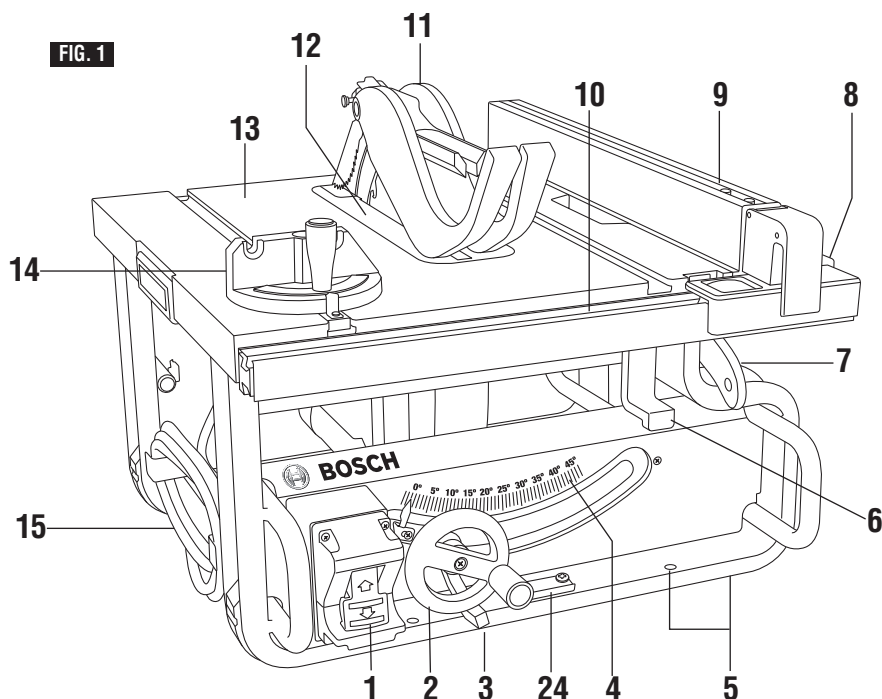
11. SYSTÈME SMART GUARD

Se compose de trois éléments principaux : couteau diviseur réglable (trois positions), dispositif de protection contre les chocs en retour et barrière de sécurité. Ces trois éléments font tous partie d'un système modulaire qui ne nécessite aucun outil pour son montage ou son démontage. Ce système Guard doit toujours être en place et doit toujours fonctionner correctement pour toutes les coupes traversantes à la scie.

12. ÉLÉMENT AMOVIBLE DE LA TABLE DE COUPE

Peut être retiré afin de démonter ou de poser une lame ou autre outil de coupe.

FIG. 1



Familiarisez-vous avec votre scie de table

13. TABLE DE COUPE

Grande surface de travail qui permet de bien soutenir l'ouvrage.

14. GUIDE DE COUPE ANGULAIRE

Le guide peut être réglé dans la position voulue pour l'exécution d'onglets ou d'autres coupes angulaires à l'aide de sa molette de verrouillage. **NE MANQUEZ JAMAIS DE BIEN LE SERRER LORSQUE VOUS VOUS SERVEZ DE CE GUIDE.**

15. RANGEMENT DU CORDON

Permet de facilement enrouler le cordon avant de transporter ou de ranger la scie.

16. COMPARTIMENT DE RANGEMENT DU GUIDE DE REFENTE

Permet de ne pas égarer le guide de refente lorsque celui-ci n'est pas en utilisation.

17. RANGEMENT DU POUSSOIR ET DES CLÉS HEXAGONALES

Vous permet de ranger le poussoir et les clés à arbres (2)

18. POIGNÉE DE TRANSPORT À UNE SEULE MAIN

Position optimisée pour transporter l'outil sur le côté avec une seule main.

19. RANGEMENT DU SYSTÈME SMART GUARD

Quand elle n'est pas utilisée, la barrière de protection principale de la lame peut être rangée du côté droit de la scie, au-dessous de la table. Le dispositif de protection contre les chocs en retour se range juste au-dessus du déversoir de poussière à l'arrière de l'outil.

20. RACCORD D'ASPIRATION/ORIFICE DE DÉPOUSSIÉRAGE

Amovible ; pour extraire de grands morceaux de bois bloqués à l'intérieur. Vérifiez toujours pour vous assurer que l'orifice de dépoussiérage est solidement attaché à la scie de table avant de vous en servir. Attachez un tuyau flexible d'aspirateur de 2 1/4 po dans l'orifice de dépoussiérage pour retirer facilement la sciure. Un adaptateur est disponible

pour emploi avec des tuyaux flexibles de diamètres différents.

21. RANGEMENT DU DISPOSITIF DE PROTECTION CONTRE LES CHOC EN RETOUR

Rangement pratique du dispositif de protection contre les chocs en retour quand il n'est pas utilisé.

22. COMPARTIMENT DE RANGEMENT DU GUIDE DE COUPE ANGULAIRE

Permet de ne pas égarer le guide de coupe angulaire lorsque celui-ci n'est pas en utilisation.

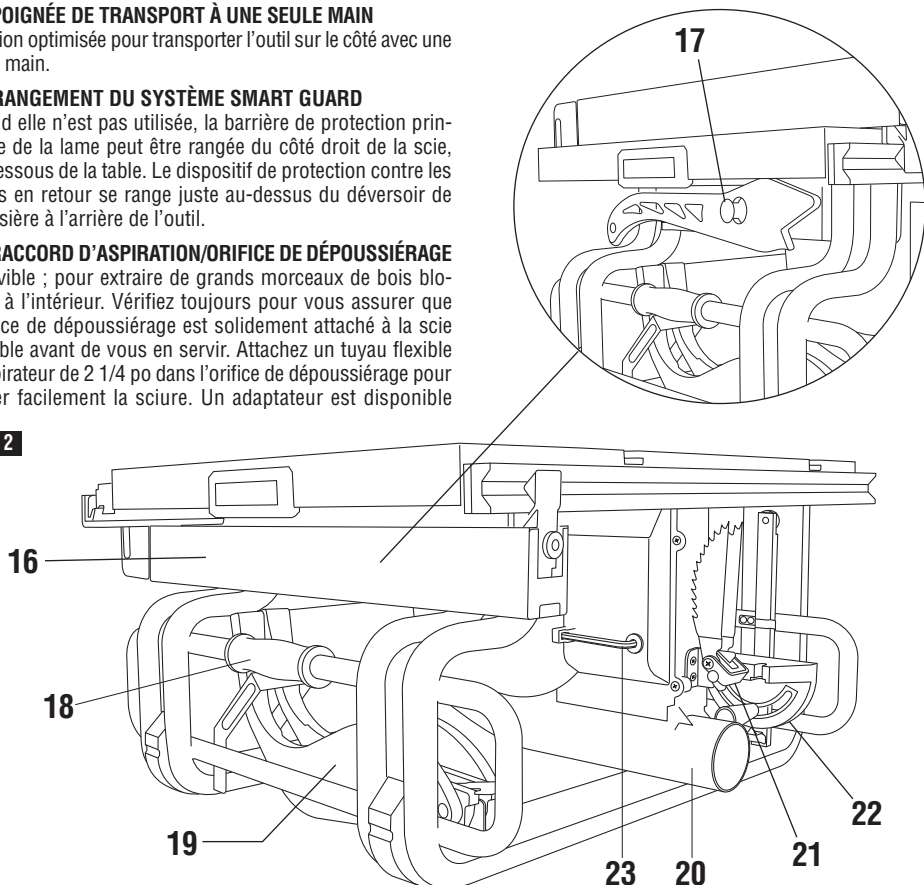
23. CLÉ HEXAGONALE & COMPARTIMENT DE RANGEMENT

Clé hexagonale pour retirer le déversoir de poussière du bas et pour ajuster divers boulons à tête hexagonale sur la scie.

24. DISPOSITIF DE FIXATION SUR LE SUPPORT

Point de fixation à connexion rapide pour la table de support de la scie à pieds qui se replie.

FIG. 2



Ouverture de l'emballage et vérification du contenu

⚠ AVERTISSEMENT Afin d'éviter les blessures causées par une mise en marche accidentelle ou un choc électrique, ne branchez pas le cordon d'alimentation sur une prise électrique. Ce cordon ne doit jamais être branché lorsque vous travaillez sur votre scie.

La scie de table modèle GTS1031 est expédiée complète dans un seul carton.

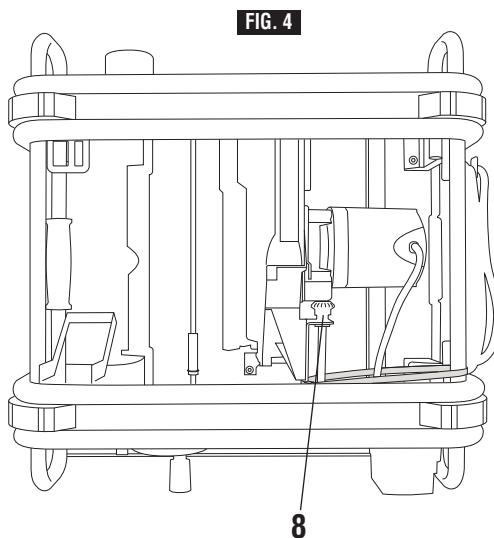
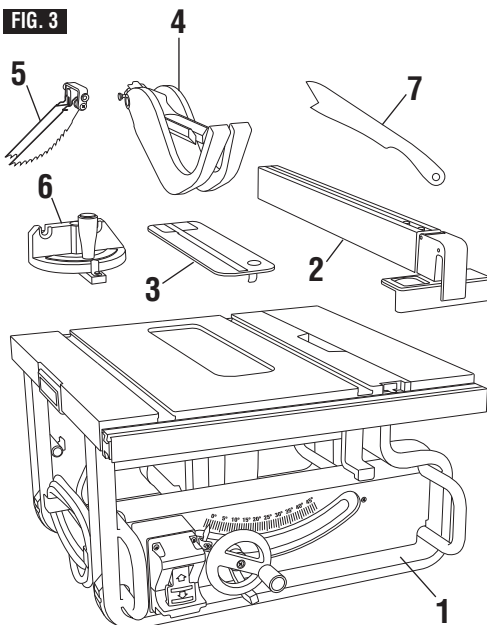
Déballez toutes les pièces et vérifiez, à l'aide de la « Liste des pièces fournies » et des illustrations, et avant de mettre l'emballage au rebut, que la scie est bien complète (Fig. 3).

⚠ AVERTISSEMENT S'il manque une ou plusieurs pièces, n'essayez pas d'assembler la scie, de brancher le cordon d'alimentation électrique ou de mettre l'interrupteur en position « MARCHE » avant de vous être procuré et d'avoir installé correctement les pièces manquantes.

LISTE DES PIÈCES FOURNIES

ARTICLE	DESCRIPTION	QUANTITÉ
1	Ensemble table et socle	1
2	Guide de refente	1
3	Élément amovible de la table de coupe	1
4	Protège-lame	1
5	Dispositif de protection contre les chocs en retour	1
6	Guide de coupe angulaire	1
7	Baguette-poussoir	1

REMARQUE : Coupez l'attache de câble **8** (qui ne servait qu'à sécuriser le matériel pendant l'expédition) située entre l'embase de la scie et au-dessous du chariot (Fig. 4). Vous risquez d'endommager le système d'élévation de la lame si vous essayez d'élever la lame sans avoir retiré l'attache du câble au préalable.



Assemblage

MONTAGE DU SYSTÈME SMART GUARD

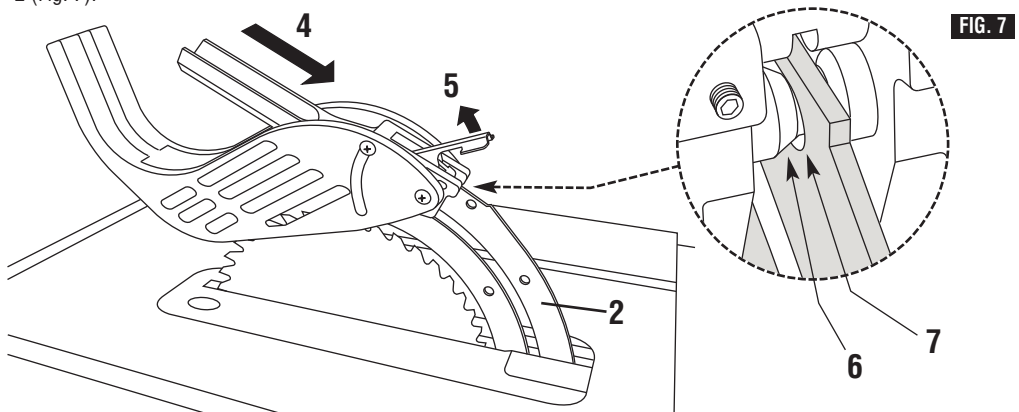
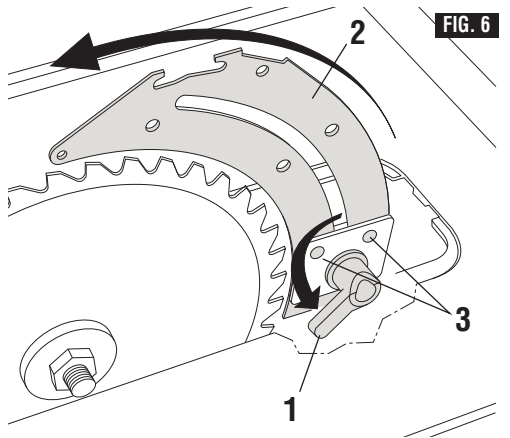
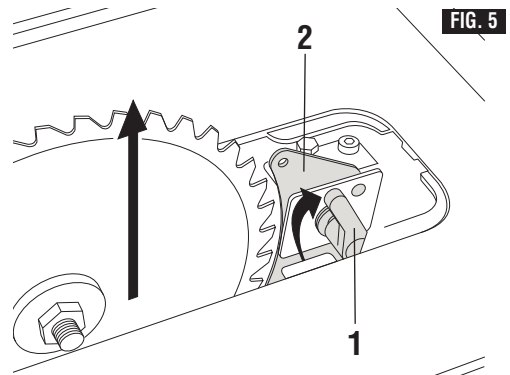
⚠ AVERTISSEMENT Pour éviter le risque de blessure, débranchez toujours la fiche de la source d'alimentation électrique avant de monter ou de démonter le système Smart Guard.

POSITIONNEMENT DU COUPEAU DIVISEUR

1. Retirez l'élément rapporté de la table de coupe en utilisant le trou pour les doigts.
2. Élevez la lame aussi haut qu'elle ira et installez-la perpendiculairement à la table (0° sur l'échelle graduée des biseaux) (Fig. 5).
3. Faites tourner le levier de relâchement du coupeau diviseur **1** dans le sens des aiguilles d'une montre de façon qu'il soit orienté vers le haut (Fig. 5).
4. Tirez le coupeau diviseur **2** vers le levier de relâchement afin de le libérer des chevilles **3**.
5. Faites glisser le coupeau diviseur **2** jusqu'à sa position la plus élevée de façon qu'il soit directement au-dessus du centre de la lame (Fig. 6).
6. Alignez les orifices dans le coupeau diviseur avec les chevilles **3** et verrouillez le levier de relâchement **1** en le faisant tourner dans le sens contraire des aiguilles d'une montre. Tirez et poussez le coupeau diviseur en alternance pour vous assurer qu'il est bien verrouillé en place (Fig. 6).
7. Remettez l'élément rapporté de la table à sa place (Fig. 7).

MONTAGE DE L'ENSEMBLE DE BARRIÈRE DE SÉCURITÉ

8. D'une main, tenez la partie avant de l'ensemble de barrière de sécurité **4** par la « fourchette » en métal. De l'autre main, tenez le levier de relâchement de la barrière de sécurité **5** vers le haut (Fig. 7).
9. Abaissez la partie arrière de l'ensemble de barrière de sécurité et faites glisser la barre transversale **6** à l'intérieur de l'encoche arrière **7** sur le dessus du coupeau diviseur **2** (Fig. 7).



10. Abaissez la partie avant de l'ensemble de barrière de sécurité **4** jusqu'à ce que la « fourchette » en métal soit parallèle à la table (Fig. 8).
11. Appuyez sur le levier de relâchement de la barrière de sécurité **5** jusqu'à ce que vous constatiez tactilement et auditivement qu'il est dans la position de verrouillage. Vérifiez que l'ensemble de barrière de sécurité est connecté solidement (Fig. 8).

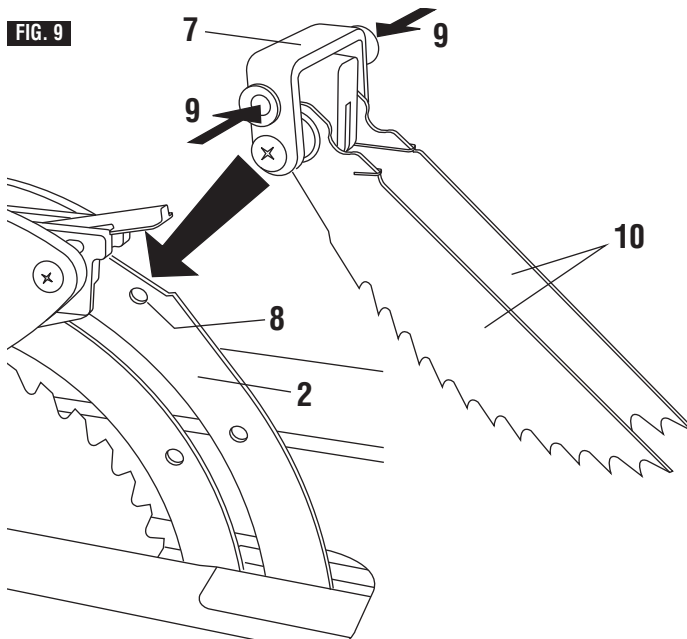
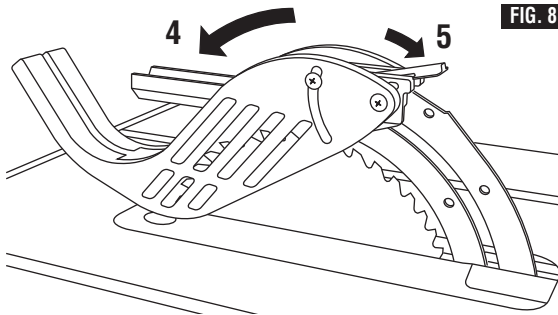
MONTAGE DU DISPOSITIF DE PROTECTION CONTRE LES CHOCS EN RETOUR

12. Attachez le dispositif de protection contre les chocs en retour **7** dans la zone plate encastrée **8** du couteau diviseur **2** (Fig. 9).
13. Comprimez les tampons de compression **9** tout en emboîtant le dispositif dans la zone plate (Fig. 9).

14. Relâchez les tampons de compression de façon que le dispositif de protection contre les chocs en retour se verrouille sur le couteau diviseur juste derrière l'ensemble de barrière de sécurité. Vérifiez que la cheville de fixation est connectée solidement dans l'orifice de verrouillage. Élevez et baissez délicatement les cliquets **10** – lorsque vous les relâchez, ces cliquets à ressort doivent tomber et entrer en contact avec l'élément rapporté de la table (Fig. 9).

Suggestion : positionnez le dispositif de protection contre les chocs en retour derrière la zone plate encastrée et faites-le glisser vers l'avant jusqu'à ce qu'il tombe dans la zone encastrée – puis relâchez les chevilles de compression.

Remarque : les deux accessoires sont indépendants l'un de l'autre. Le dispositif de protection contre les chocs en retour peut donc être monté avant l'ensemble de barrière de sécurité.



RETRAIT ET INSTALLATION DE LA LAME

⚠ AVERTISSEMENT Débranchez la fiche de la prise de courant avant de procéder à une quelconque opération d'assemblage, de réglage ou de réparation pour éviter tout risque de blessure.

UTILISER LA LAME CORRECTE

IMPORTANT : la lame de scie fournie sur cet outil a une largeur de voie à pointe au carbure de 0,102 po et une épaisseur de plaque (corps) d'une épaisseur de 0,071 po. Lorsque vous aurez besoin de remplacer une lame, sélectionnez-en une dont les dimensions sont proches de celle de la lame d'origine. Cette information n'est peut-être pas imprimée sur l'emballage des lames. Si elle ne l'est pas, consultez le catalogue ou le site web du fabricant. Bosch offre une gamme étendue de lames de scie professionnelle de qualité supérieure qui sont compatibles avec cet outil. Vous devez choisir une lame avec une largeur de voie de 0,092 po ou plus et une plaque (corps) ayant une épaisseur 0,088 po ou moins (Fig. 10).

⚠ AVERTISSEMENT pour réduire le risque de blessure, n'utilisez pas de lames de scie ayant une voie extra-fine. La voie de la lame doit être plus large que 0,092 po. Des lames de scie dont la voie est extra-fine (moins de 0,092 po) risqueraient de faire adhérer l'ouvrage au couteau diviseur pendant la coupe. Il est recommandé que la voie de la lame de remplacement utilisée sur cette scie soit de 0,092 po ou plus.

⚠ AVERTISSEMENT pour réduire le risque de blessure, n'utilisez pas de lames de scie fabriquées avec une plaque/un corps épais. Si l'épaisseur de la plaque de la lame de scie de remplacement est supérieure à 0,088 po, le couteau diviseur n'aidera pas réellement à réduire les risques de rebond. L'épaisseur de la plaque de la lame de remplacement doit être moins de 0,088 po.

⚠ AVERTISSEMENT pour réduire le risque de blessure, n'utilisez pas d'« amortisseurs », de « stabilisateurs » ou de « collets de raidissement » des deux côtés d'une lame de remplacement. Il s'agit de plaques en métal positionnées contre les côtés de la lame afin de réduire la déflexion qui pourrait se produire lors de l'utilisation de lames de scie fines. L'utilisation de tels dispositifs des deux côtés rendrait impossible un alignement correct de la lame avec le couteau diviseur, ce qui pourrait faire adhérer l'ouvrage à l'outil pendant la coupe. Une plaque de type « stabilisateur » ne peut être placée que contre l'extérieur d'une lame de remplacement fine. Il n'est pas nécessaire d'employer de telles plaques avec la lame Bosch fournie.

FIG. 10

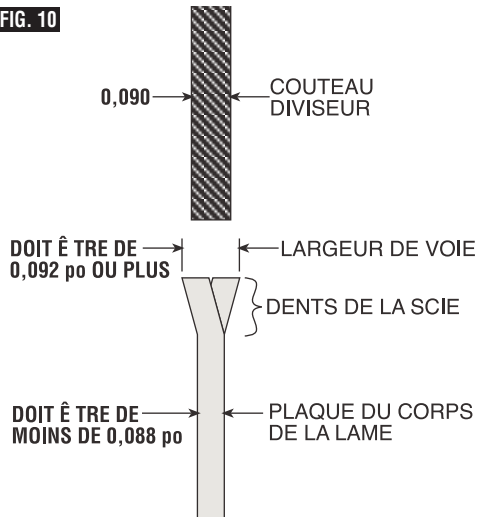
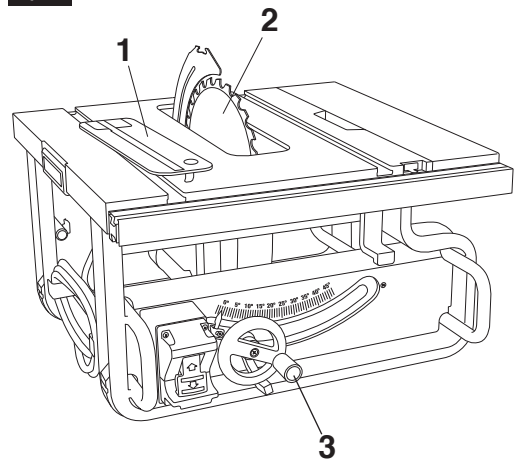


FIG. 11



CHANGEMENT DE LA LAME

REMARQUE : nettoyez toute accumulation possible d'huile sur la lame avant de l'installer.

1. Retirez la plaque amovible de la table **1** (Fig. 11).
2. Élevez la lame **2** jusqu'à la hauteur maximum en faisant tourner la roue de commande **3** dans le sens contraire des aiguilles d'une montre (Fig. 11).
3. Retirez l'écrou de fixation de l'arbre **4** et la bride **5** (Fig. 12).
4. Pour desserrer l'écrou de fixation de l'arbre **4**, utilisez la clé à ouverture variable **7** et alignez les mâchoires de la clé sur les parties plates de la bride afin d'empêcher l'arbre de tourner. Placez la clé polygonale **8** sur l'écrou de fixation de l'arbre **4** et tournez dans le sens contraire des aiguilles d'une montre (vers avant de la table) (Fig. 13).
5. Nettoyez toute accumulation possible de sciure sur les deux colliers de la lame avant d'installer la lame. Installez une lame de 10 po (25,4 cm). Installez la lame de la scie sur l'arbre de façon que les dents de la lame soient orientées vers l'avant de la scie.

Pour ne pas risquer de vous blesser, n'utilisez pas une lame plus grande ou plus petite qu'une lame de 10 po (25,4 cm) de diamètre et un arbre de 5/8 po.

6. Installez la bride **5** contre la lame **2** et enfillez l'écrou de fixation de l'arbre **4** aussi loin que possible à la main. Assurez-vous que la lame est au ras de la bride intérieure de la lame **6** (Fig. 12).
7. Pour serrer l'écrou de fixation de l'arbre **4**, utilisez la clé à ouverture variable **7** et alignez les mâchoires de la clé sur les parties plates de la bride afin d'empêcher l'arbre de tourner. Placez la clé polygonale **8** sur l'écrou de fixation de l'arbre **4** et tournez dans le sens des aiguilles d'une montre (vers l'arrière de la table) (Fig. 13).
8. Installez la plaque amovible de la table **1** dans l'encastrement de la table prévu à cet effet. (Figure 12).

Pour ne pas risquer de vous blesser en cas de projection de l'ouvrage, en conséquence d'un bris de lame ou en cas de contact avec la lame, n'utilisez jamais la scie sans que la plaque amovible appropriée ne soit en place. Utilisez la plaque amovible de la table lorsque vous sciez. Utilisez la plaque amovible pour le rainurage lorsque vous utilisez une lame à rainurer.

UTILISATION DE LAMES À POINTES AU CARBURE

Manipulez les lames à pointes au carbure avec précaution. Le carbure est très cassant et s'endommage facilement. Prenez des précautions lorsque vous installez, utilisez ou rangez les lames. N'utilisez pas une lame à pointes au carbure qui est tordue ou a des dents tordues, ou si la lame est fissurée ou cassée, ou si des pointes au carbure sont desserrées ou manquantes. Ne faites pas fonctionner une lame à pointe au carbure plus vite que sa vitesse nominale recommandée.

Lisez, comprenez et respectez tous les avertissements et toutes les instructions accompagnant vos lames à pointes au carbure.

FIG. 12

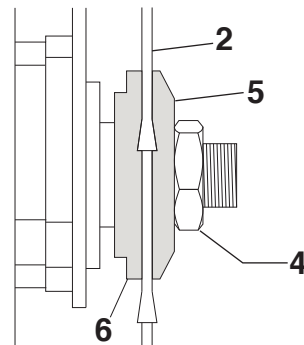
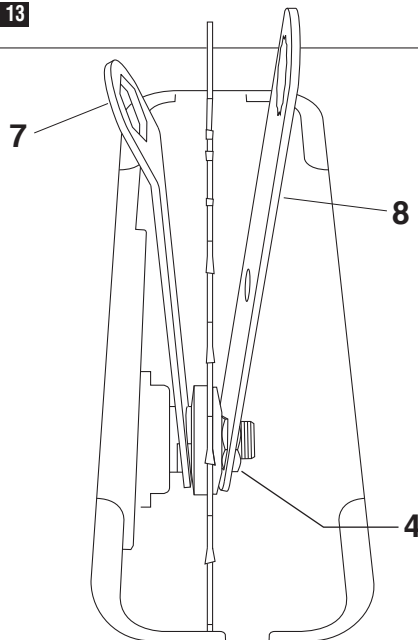


FIG. 13

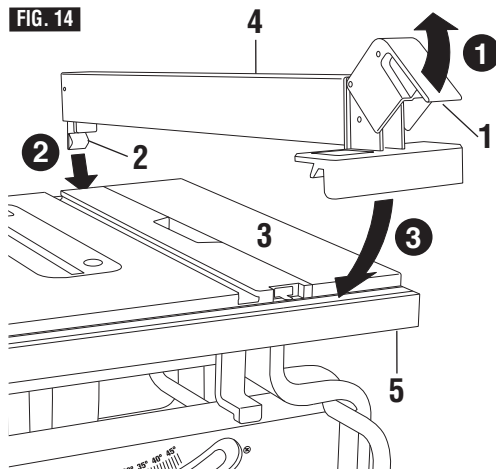


MONTAGE DU GUIDE DE REFENTE POUR EMPLOI ET RANGEMENT

1. Levez la poignée 1 du guide de refente comme indiqué (Fig. 14) de manière à ce que la mâchoire 2 soit sortie suffisamment pour se monter sur la table 3 et dans la rainure en V située au dos du rail arrière.
2. Placez le guide de refente 4 sur la table 3 en tenant son extrémité avant, enclenchez d'abord la mâchoire arrière 2 dans le rail arrière.
3. Ensuite abaissez la partie avant sur le rail avant 5.
4. Abaissez la poignée du guide de refente pour verrouiller.

Remarque : Pour ranger le guide de refente, suivez la même procédure que ci-dessus au-dessous de la table (Fig. 15).

FIG. 14



INSTALLATION DE LA SCIE DE TABLE

Si vous voulez installer la scie de façon permanente, il vous faut la fixer solidement sur une surface robuste, telle qu'un support ou un établi, à l'aide des quatre orifices 6 prévus à cet effet (deux de ces orifices sont visibles sur la fig. 16).

1. En cas de montage sur un établi, l'embase doit être boulonnée solidement avec des boulons hexagonaux de 1/4 po (non inclus) en utilisant les orifices de montage 6 fournis.

Suggestion : si l'établi a une épaisseur de 3/4 po, les boulons devront avoir une longueur d'au moins 3 1/2 po – si l'établi a une épaisseur de 1 1/2 po, les boulons devront avoir une longueur d'au moins 4 1/2 po.

2. Localisez et marquez les points de montage de la scie par rapport aux orifices dans l'embase de l'outil.
3. Percez quatre (4) orifices de 3/8 po de diamètre à travers l'établi.
4. Placez la scie de table sur l'établi en alignant les orifices de l'embase avec les orifices qui ont été percés dans l'établi.
5. Insérez quatre (4) boulons de 1/4 po de diamètre à travers les orifices dans l'embase et la surface d'appui ; puis assujettissez l'outil en utilisant (4) rondelles plates de 1/4 po et (4) écrous hexagonaux de 1/4 po.

FIG. 15

RANGEMENT DU GUIDE DE REFENTE

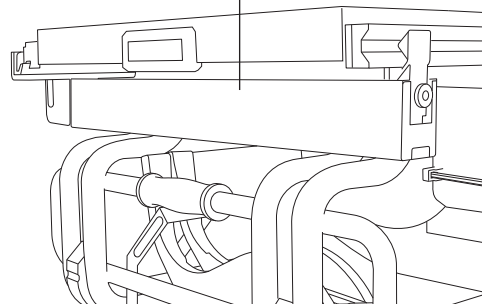
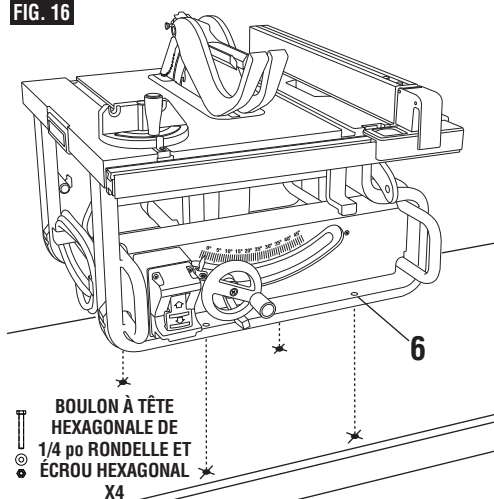


FIG. 16



Réglages

RÉGLAGE DES BUTÉES FIXES À 90° ET 45°

Votre scie est dotée de butées fixes permettant de positionner la lame à 90° et à 45° de la table avec rapidité et précision.

⚠ AVERTISSEMENT Pour éviter les blessures, débranchez toujours le cordon d'alimentation avant de procéder à des réglages.

1. Tournant le volant de réglage de la hauteur **2** dans le sens des aiguilles d'une montre et élevez la lame à la hauteur maximum (Fig. 17).

RÉGLAGE DE LA BUTÉE FIXE À 0 DEGRÉ :

2. Desserrez la poignée de verrouillage de l'inclinaison de la lame **1** et poussez le volant de réglage de la hauteur **2** aussi loin que possible vers la gauche, puis serrez la poignée de verrouillage de l'inclinaison de la lame **1** (Fig. 17).

3. Placez une équerre à combinaison sur la table avec un bout de l'équerre contre la lame comme illustré (Fig. 18) et vérifiez si la lame est à 90° par rapport à la table. Si la lame n'est pas à 90 degrés par rapport à la table, desserrez la poignée de verrouillage de l'inclinaison de la lame **1**, desserrez la vis de réglage à 90 degrés **4**, desserrez la came de butée de biseau à 90 degrés **5** et poussez le volant de réglage de la hauteur jusqu'à ce que la lame soit à 90 degrés par rapport à la table.

4. Serrez la poignée de verrouillage de l'inclinaison de la lame **1**, tournez la came de butée de biseau **5** jusqu'à ce qu'elle entre en contact avec le logement de la butée de biseau **7**, puis serrez la vis de réglage à 90 degrés **4**.

5. Desserrez la vis de réglage **6** et ajustez l'indicateur **3** pour produire une lecture de 0 degré sur l'échelle graduée des biseaux.

RÉGLAGE DE LA BUTÉE FIXE À 45 DEGRÉS :

6. Desserrez la poignée de verrouillage de l'inclinaison de la lame **1** et poussez le volant de réglage de la hauteur **2** aussi loin que possible vers la droite, puis serrez la poignée de verrouillage de l'inclinaison de la lame **1**.

7. Placez une équerre à combinaison sur la table avec un bout de l'équerre contre la lame comme illustré (Fig. 19) et vérifiez si la lame est à 45° par rapport à la table. Si la lame n'est pas à 45 degrés par rapport à la table, desserrez la poignée de verrouillage de l'inclinaison de la lame **1**, desserrez la vis de réglage à 45 degrés **8**, desserrez la came de butée de biseau à 45 degrés **9** et poussez le volant de réglage de la hauteur jusqu'à ce que la lame soit à 45 degrés par rapport à la table.

8. Serrez la poignée de verrouillage de l'inclinaison de la lame **1**, tournez la came de butée de biseau à 45 degrés **9** jusqu'à ce qu'elle entre en contact avec le logement de la butée de biseau **7**, puis serrez la vis de réglage à 45 degrés **8**.

Remarque : Votre équipement GTS1031 est capable de réaliser une coupe en biseau jusqu'à 47 degrés à gauche et -2 degrés à droite. Pour atteindre ces points, suivez la procédure ci-dessus et changez la position des butées suivant les besoins.

FIG. 17

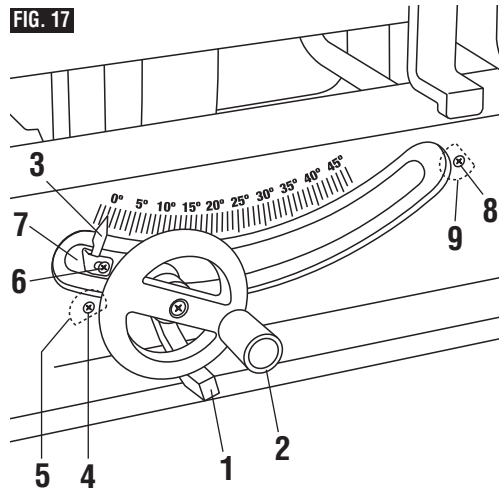


FIG. 18

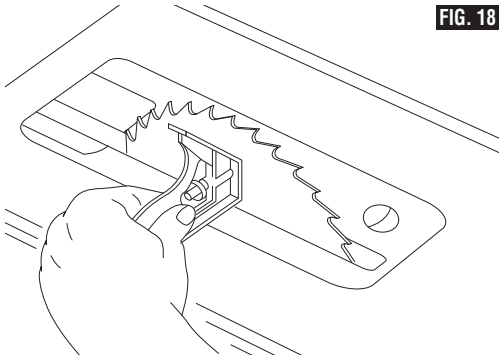
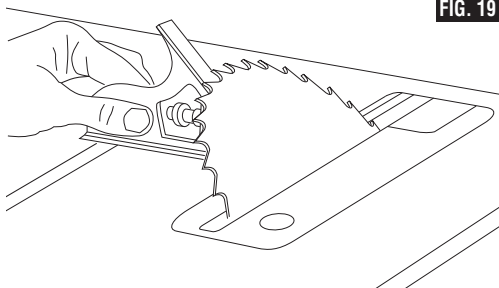


FIG. 19



RÉGLAGE DU PARALLÉLISME DE LA LAME PAR RAPPORT AUX RAINURES DU GUIDE DE COUPE ANGULAIRE

Le parallélisme de la lame a été réglé en usine. Toutefois, dans le but d'assurer la précision de la coupe et de limiter les risques de rebond, il convient de vérifier le parallélisme. S'il s'avère nécessaire de le régler à nouveau, conformez-vous à suivre ci-dessous.

⚠ AVERTISSEMENT Pour éviter de subir des blessures, débranchez toujours le cordon d'alimentation avant de procéder à des réglages.

1. Tournez le volant de réglage de hauteur afin de lever la lame au maximum.
2. Choisissez une dent, à l'arrière de la lame, qui est orientée vers la gauche lorsqu'on la regarde de l'avant de la scie et faites-y une marque **1** au crayon (Fig. 20).
3. Placez le pied de l'équerre à combinaison contre le bord de la rainure du guide de coupe angulaire et faites glisser la partie mobile de l'équerre de façon à ce qu'elle touche la dent que vous venez de marquer.
4. Faites tourner la lame à main et vérifiez la position de cette même dent à l'avant de la table (Fig. 20).
5. Si les mesures prises à l'avant et à l'arrière (voir figure 20) ne sont pas identiques, desserrez les 4 boulons d'alignement **2** qui se situent sous la table à l'avant et à l'arrière de la scie. Utilisez la clé hexagonale fournie avec votre scie (Fig. 21 et 22). Déplacez la lame avec précaution jusqu'à ce qu'elle soit parallèle à la rainure du guide de coupe angulaire. Resserrez alors fermement les quatre boulons.

FIG. 20

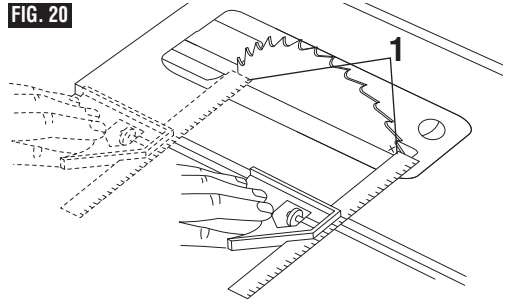


FIG. 21

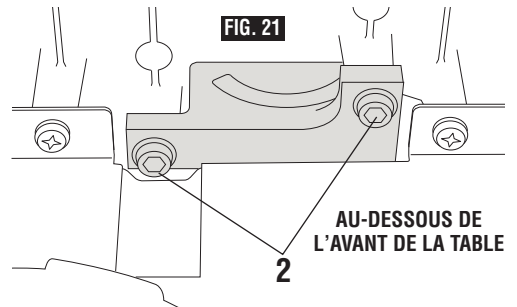
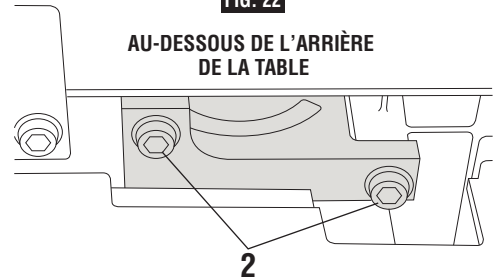


FIG. 22



ALIGNEMENT DU GUIDE DE REFENTE

⚠ AVERTISSEMENT Pour éviter de subir des blessures, débranchez toujours le cordon d'alimentation avant de procéder à des réglages. Le guide de refente doit être parallèle à la LAME afin de prévenir les REBONDS lors des opérations de coupe en long.

Votre scie est équipée d'un guide de refente à auto-alignement de réglage rapide Squarelock™. Une fois les réglages ci-dessous sont effectués, le guide d'alignera automatiquement au moment de son verrouillage en position.

Remarque : La lame doit être parallèle aux rainures du guide de coupe angulaire et perpendiculaire à la table avant de tenter d'aligner le guide de refente (voir page 53).

⚠ AVERTISSEMENT Pour éviter toute blessure corporelle, assurez-vous toujours que le guide de refente est verrouillé avant de refendre une pièce.

1. Soulevez les deux barrières de protection **2** pour les mettre dans leur position haute verrouillée.
2. Soulevez la poignée de verrouillage **1** et faites glisser le guide **3** jusqu'à ce qu'il soit placé le long de la lame de la scie, en soulevant le cliquet du côté droit **4** au-dessus du guide (Fig. 23).

Le guide doit être en contact avec les dents de la lame à l'avant et à l'arrière de la lame. Si le guide n'est pas en contact avec les dents à l'avant et à l'arrière de la lame, suivez la procédure décrite ci-dessous :

3. Desserrez les deux vis **5** situées à la partie supérieure avant du guide de refente.
4. Déplacez le guide **3** jusqu'à ce qu'il touche les dents et qu'il soit parallèle à la lame.
5. Tenez le guide en place et abaissez la poignée de verrouillage. Vérifiez que le guide n'a pas bougé, puis resserrez les vis (Fig. 23).
6. Bloquez le guide de refente pour vérifier qu'il est bien tenu à l'avant comme à l'arrière. Si il n'est pas correctement tenu à l'arrière, débloquez le guide et tournez la vis de réglage du blocage arrière **6** en sens horaire pour augmenter la force de serrage. Essayez à nouveau de bloquer le guide pour vérifier qu'il s'auto-aligne et qu'il est bien tenu à l'avant comme à l'arrière. Si la vis de réglage du blocage arrière **6** est trop serrée, le guide ne pourra pas s'auto-aligner (Fig. 23).

RÉGLAGE DE L'INDICATEUR DU GUIDE DE REFENTE

La distance entre le corps du guide de refente et la lame lors d'une coupe de refente du côté droit de la lame est déterminée en alignant l'indicateur **7** avec la dimension désirée sur l'échelle **8** (Fig. 24).

POUR RÉGLER L'INDICATEUR DU GUIDE DE REFENTE :

1. Soulevez les deux barrières de protection **2** pour les mettre dans leur position haute verrouillée (Fig. 23).
2. Soulevez la poignée de verrouillage **1** et faites glisser le guide **3** jusqu'à ce qu'il soit placé le long de la lame de la scie, en soulevant le cliquet latéral droit **4** au-dessus du guide (Fig. 23).
3. Desserrez la vis de réglage de l'indicateur **9**, réglez l'indicateur **7** sur le repère « 0 » de l'échelle inférieure **8**, puis resserrez la vis **9** (Fig. 24).

FIG. 23

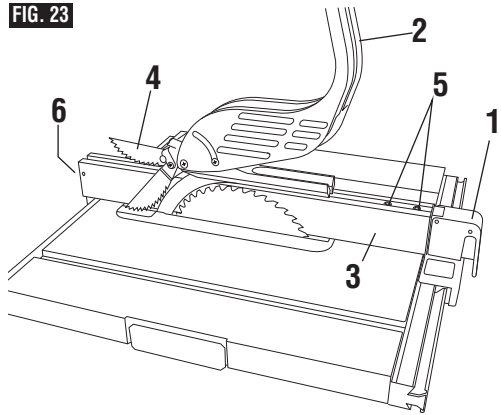
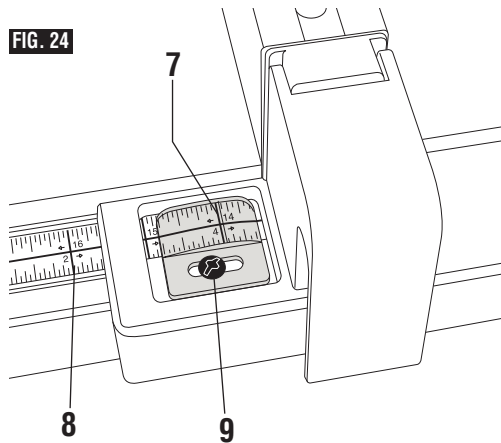


FIG. 24



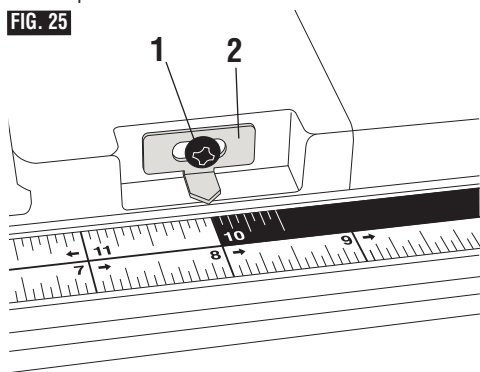
RÉGLAGE DE L'INDICATEUR DE LA TABLE

S'il est nécessaire de régler l'indicateur de la table, desserrez la vis de réglage de l'indicateur **1**, réglez l'indicateur **2** et resserrez la vis **1** (Fig. 25).

L'indicateur de la table doit toujours être réglé par rapport à celui du guide.

1. Réglez l'indicateur du guide sur zéro.
2. Assurez-vous que la table est dans la position fermée et faites coulisser le guide vers la droite jusqu'à ce que l'indicateur du guide soit à 10 po (Remarque : une partie du guide dépassera du rail.)
3. Regardez l'indicateur du guide et notez 10 po sur l'échelle inférieure.
4. Réglez l'indicateur de la table **2** pour obtenir une lecture identique sur l'échelle supérieure. Les deux indicateurs doivent produire la même lecture quand le guide est dans cette position.

FIG. 25



ALIGNEMENT DU COUTEAU DIVISEUR

IMPORTANT : le couteau diviseur **1** doit toujours être aligné avec la lame de scie **2**. Le couteau diviseur **1** est plus mince que la largeur de coupe **4** d'environ cinq épaisseurs de feuilles de papier **5** de chaque côté, en fonction de l'épaisseur du papier utilisé (Fig. 26). **Remarque** : la largeur de coupe correspond à la voie ouverte dans l'ouvrage par les dents de la lame de la scie.

⚠ AVERTISSEMENT

Pour éviter tout risque de blessure, débranchez toujours l'outil de sa source d'alimentation électrique avant de faire de quelconques réglages et lorsque vous attachez ou détachez le système Smart Guard.

VÉRIFICATION DE L'ALIGNEMENT DU COUTEAU DIVISEUR

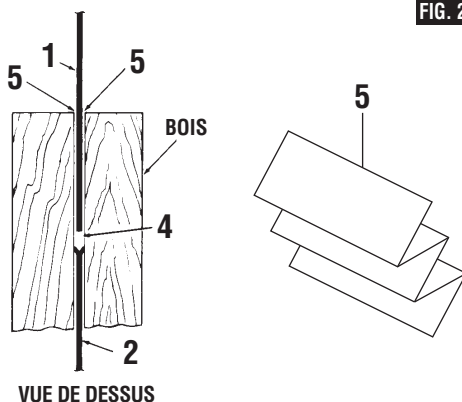
REMARQUE : le couteau diviseur a été aligné correctement à l'usine - vérifiez l'alignement avant de procéder à un quelconque réglage.

1. Élevez la lame de la scie à la hauteur maximum et réglez l'angle de biseau à 0°.
2. Retirez l'ensemble de barrière de protection et le dispositif de protection contre les chocs en retour (voir mode d'em-

ploi).

3. Placez le guide de refente **3** du côté droit et faites-le glisser jusqu'à ce qu'il entre en contact avec les pointes de la lame de scie **2** - verrouillez le guide de refente.
4. Vérifiez l'alignement :
 - A. Depuis le dessus, regardez au-dessus du guide de refente et assurez-vous que le couteau diviseur est aligné (de l'avant vers l'arrière) avec la lame et est parallèle au guide de refente.
 - B. Faites glisser le guide de refente pour l'éloigner de la lame. Regardez au-dessus du devant de la lame et assurez-vous que le couteau diviseur est aligné avec la lame.

FIG. 26



- C. Si l'étape A ou B révèle un alignement incorrect, effectuez un « Réglage du couteau diviseur ».

RÉGLAGE DU COUTEAU DIVISEUR

1. Élevez la lame de la scie **2** à la hauteur maximum et réglez l'angle de biseau à 0°.
2. Retirez l'ensemble de barrière de protection et le dispositif de protection contre les chocs en retour (voir mode d'emploi).
3. Retirez la pièce rapportée de la table.
4. Placez le guide de refente **3** du côté droit et faites-le glisser jusqu'à ce qu'il entre en contact avec les pointes de la lame de scie **2** - verrouillez le guide de refente.
5. Desserrez l'écrou hexagonal **6** avec une clé à fourche de 10 mm (Fig. 27). Desserrez légèrement les vis de serrage **8** (entre un quart de tour et un demi-tour) en utilisant une clé hexagonale de 5 mm fournie avec la scie à table (rangée à l'arrière de la scie). Desserrez la vis de pression **7** avec un tournevis à lame plate (Fig. 27).
6. Faites quatre plis dans une petite feuille de papier (de 6 po x 6 po) en formant cinq couches (Fig. 26). Le papier **5** est utilisé comme « jauge d'espacement ».

REMARQUE : Les instructions concernant l'espacement sont basées sur l'emploi de la lame à voie standard fournie avec votre équipement GTS1031. Si une lame ayant une voie plus étroite ou plus large est utilisée, il faut ajuster l'espacement. Par exemple, si la largeur de coupe de la lame de rechange est plus grande, utilisez au moins six épaisseurs de papier, et si elle est plus petite, utilisez au maximum quatre épaisseurs de papier. Selon le type de papier qui est utilisé pour l'espacement, vous aurez peut-être besoin de modifier le nombre de plis afin d'assurer l'alignement correct.

7. Insérez le papier plié **5** entre le couteau diviseur **1** et le guide de refente **3**.

A. Maintenez le couteau diviseur et le papier fermement appuyés contre le guide de refente (Fig. 27 & 28).

FIG. 27

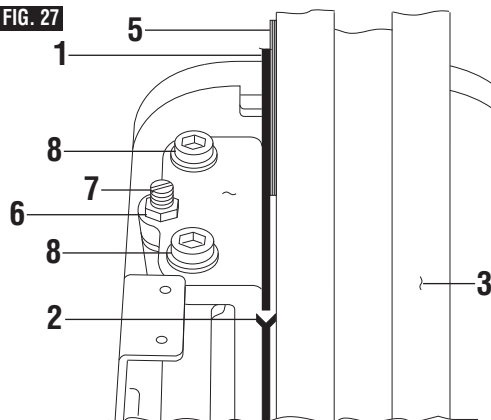
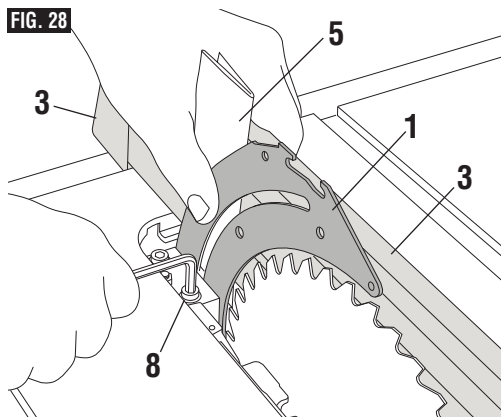


FIG. 28



- B. Serrez légèrement les vis de serrage **8**.
- C. Retirez le papier - faites glisser le guide de refente pour l'éloigner de la lame.
- D. Tournez lentement la vis de pression **7** tout en observant

le couteau diviseur pendant qu'il s'incline jusqu'à ce qu'il soit aligné avec la lame.

E. Vérifiez à nouveau que le couteau diviseur est d'équerre par rapport à la table en faisant glisser le guide de refente contre la lame. Changez le réglage si besoin est.

8. Après avoir réalisé tous les réglages :

A. Serrez légèrement l'écrou hexagonal **6** (maintenez la vis de pression en place avec un tournevis pendant que vous serrez l'écrou).

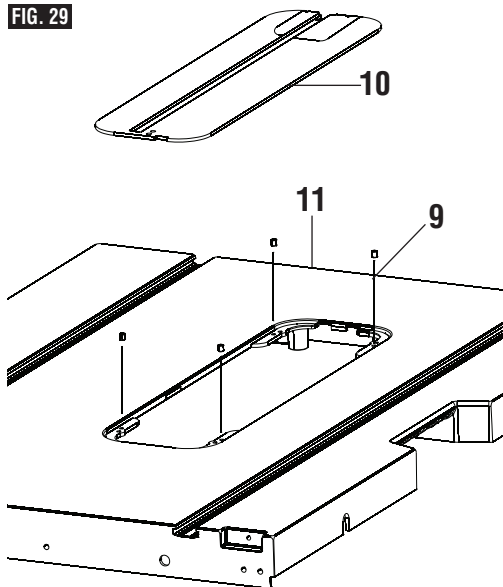
B. Serrez au maximum les vis de serrage **8** avec une clé hexagonale. Puis serrez au maximum l'écrou hexagonal.

REMARQUE : assurez-vous que le couteau diviseur est toujours aligné avec la lame lorsque la lame est inclinée à un angle quelconque. Remettez en place l'ensemble de barrière de protection et le dispositif de protection contre les chocs en retour avant de commencer à couper.

RÉGLAGE DE LA PLAQUE AMOVIBLE SUR LA TABLE

La fente d'insertion de la plaque amovible dans la table de l'équipement GTS1031 inclut quatre (4) vis de réglage **9** qui permettent de régler la hauteur (Fig. 29). Placez la plaque amovible **10** dans la table **11**. Placez un bord droit (comme la règle en métal d'une équerre combinée) à travers le dessus de la table et de la plaque amovible - les deux surfaces doivent être au même niveau. Si un réglage est nécessaire, utilisez la « clé en L » de 2 mm incluse (conditionnée avec la plaque amovible) pour faire tourner chaque vis de pression vers le haut ou vers le bas.

FIG. 29



Utilisation de la scie de table

INTERRUPTEUR DE SÛRETÉ

REMARQUE : Cette scie comporte un dispositif de sécurité qui contribue à prévenir les mises en marche accidentelles.

Pour démarrer la scie, levez l'interrupteur en pinçant ses parois latérales et en tirant vers le haut. Cette action démarre la scie (Fig. 30).

Pour arrêter la scie, poussez le levier de l'interrupteur vers le bas pour le remettre à sa position initiale (Fig. 31).

Il est possible de verrouiller l'interrupteur à l'aide d'un cadenas doté d'une longue anse de 3/16 po de diamètre (non fourni avec la scie), afin d'empêcher toute utilisation non autorisée (Fig. 31).

SYSTÈME SMART GUARD

Le système Smart Guard de Bosch a été conçu de façon modulaire, afin de permettre l'utilisation de multiples combinaisons des trois composants principaux du système – les barrières de protection principales, le dispositif de protection contre les chocs en retour et le couteau diviseur. De plus, le couteau diviseur peut être ajusté rapidement dans trois positions (haut, intermédiaire et rangé), en fonction des besoins de l'application.

Composants (Figure 32) :

1 Couteau diviseur

Le couteau diviseur est l'élément central du système de protection de la lame Smart Guard de Bosch. Il sert de point de fixation à la fois pour la barrière de sécurité principale et pour le dispositif de protection contre les chocs en retour. Au cas où la barrière de sécurité principale et le dispositif de protection contre les chocs en retour seraient retirés, le couteau diviseur maintiendrait sa fonctionnalité pour fendre des matériaux, et il peut être réglé dans trois positions. En raison de cette souplesse, le couteau diviseur peut être positionné de façon appropriée pour toutes les applications de coupe.

2 Barrière de sécurité principale

La barrière de sécurité principale se compose qu'une paire de barrières en plastique attachées à la barrière de sécurité supérieure en métal. Les barrières latérales (une à gauche et une à droite de la lame) fonctionnent indépendamment l'une de l'autre, ce qui permet d'assurer une couverture maximum de la lame pendant les opérations de coupe. La barrière principale incorpore un point de fixation à connexion rapide et peut être attachée ou retirée du système protège-lame indépendamment du dispositif de protection contre les chocs en retour et du couteau diviseur.

Remarque : Pour mieux assujettir la barrière de sécurité principale en cas de déplacement, réglez la lame dans sa position la plus basse. Ceci maintient la barrière serrée contre la surface de la table et protège contre le risque de dommage qui pourrait être causé par des mouvements de la barrière pendant le déplacement. En cas de transport sur une grande distance sur le lieu de travail ou au-delà, placez la barrière de sécurité dans sa position de rangement en dessous de la table. (Voir Figure 33, à la page 58).

FIG. 30

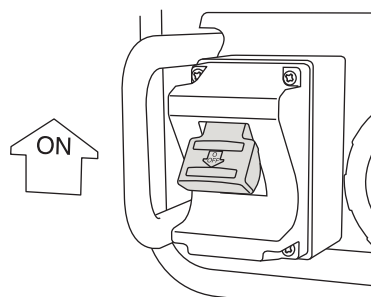


FIG. 31

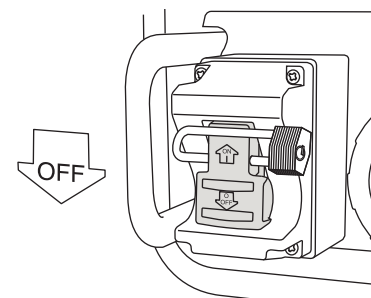
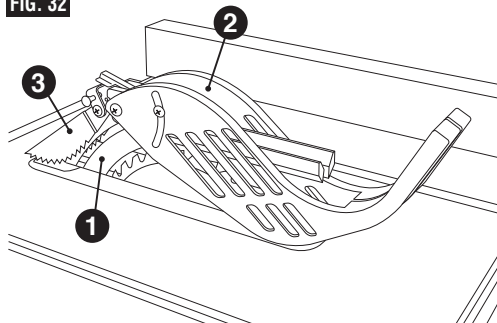


FIG. 32



3 Dispositif de protection contre les chocs en retour

En cas de choc en retour, le dispositif de protection contre les chocs en retour (également connu sous le nom de griffes de serrage ou de cliquets) a pour objet d'aider à empêcher la projection de la planche dans la direction de l'opérateur. Les dents acérées des cliquets ont pour raison d'être d'« attraper » le matériau en cas de choc en retour.

MONTAGE/DÉMONTAGE

(voir les instructions détaillées à la page 47 et 48)

Les trois principaux composants du système de protection de la lame Smart Guard sont conçus pour pouvoir être montés, ajustés et/ou démontés rapidement, sans nécessiter l'emploi d'outils additionnels.

Le composant consistant en la barrière de sécurité principale peut être monté et démonté rapidement en utilisant simplement un levier de dégagement rapide. La barrière est attachée en installant la barre transversale sur le haut du couteau diviseur et en engageant le levier de verrouillage. En suivant le même processus, mais inversé, on peut retirer facilement la barrière pour des opérations spéciales telles que des coupes de rainures ou de feuillures.

Le dispositif de protection contre les chocs en retour peut être attaché facilement en alignant la cheville de fixation avec l'orifice à l'arrière du couteau diviseur. Il peut être détaché facilement en appuyant sur les tampons de compression de l'un quelconque des côtés du dispositif de protection contre les chocs en retour et en le soulevant.

Le couteau diviseur peut facilement être ajusté à l'une des trois hauteurs en retirant l'élément rapporté de la table, en soulevant la lame à sa hauteur maximum et en relâchant le levier de relâchement du couteau diviseur à la base du couteau diviseur. Le couteau diviseur doit être verrouillé dans sa position la plus élevée pour pouvoir être utilisé conjointement avec la barrière de sécurité principale et le dispositif de protection contre les chocs en retour. Il peut être réglé sur sa position intermédiaire pour les coupes non transversantes et pour emploi afin de fendre des matériaux en l'absence de la barrière de sécurité principale et du dispositif de protection contre les chocs en retour.

Au cas où le couteau diviseur ne pourrait pas être utilisé pour une coupe particulière, il pourra être réglé sur sa position la plus basse, c. à d. qu'il serait placé à 1 po au-dessus de la surface de la table (lorsque la lame est dans sa position la plus élevée).

RANGEMENT DU SYSTÈME

Quand ils ne sont pas utilisés, la barrière de sécurité principale et le dispositif de protection contre les chocs en retour peuvent être rangés au-dessous de la rallonge de droite de la table.

AVERTISSEMENT L'utilisation de tous les composants du système Smart Guard, y compris la barrière de sécurité principale, le dispositif de protection contre les chocs en retour et le couteau diviseur, est vivement recommandée afin de fournir une protection contre les risques d'accidents et de blessures.

1. Faites glisser la partie avant de l'ensemble de barrière de sécurité principale vers le haut et à l'intérieur du support en forme de U du côté avant droit de la scie (Fig. 33).
2. Faites pivoter l'arrière de la barrière vers le bas et sur le support de montage.
3. Verrouillez l'ensemble de barrière de sécurité principale en place de la même manière que vous l'attacheriez au couteau principal.

4. Localisez l'emplacement de rangement du dispositif de protection contre les chocs en retour juste au-dessus du déversoir de poussière à l'arrière de l'outil. Attachez le dispositif de protection contre les chocs en retour au support de suspension de la même manière qu'il s'attache au couteau diviseur (Fig. 34).

FIG. 33

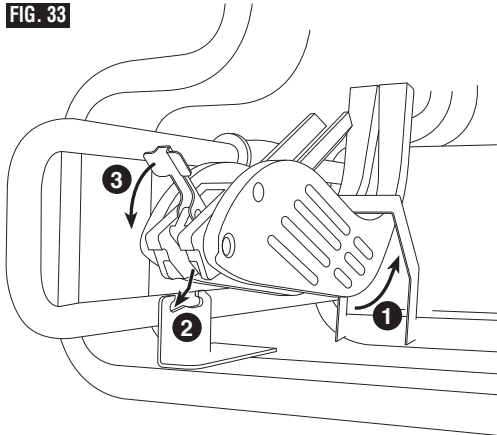
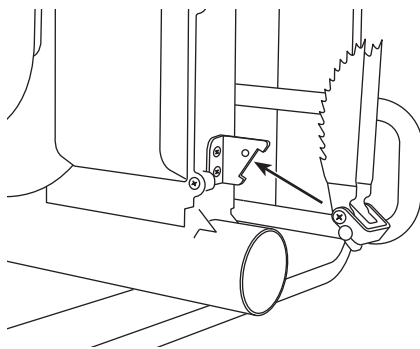


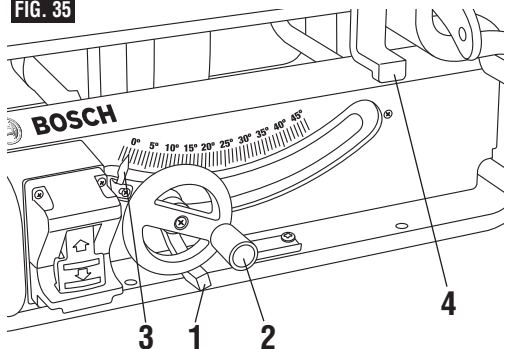
FIG. 34



RÉGLAGE DE L'INCLINAISON DE LA LAME

Desserrez la poignée de verrouillage de l'inclinaison **1** en sens anti-horaire (Fig. 35), faites coulisser le volant de réglage de hauteur **2** jusqu'à ce que l'indicateur **3** soit sur l'angle désiré et resserrer la poignée de verrouillage de l'inclinaison **1** en sens horaire.

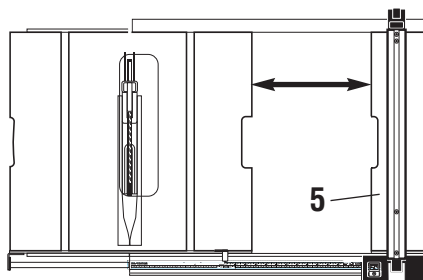
FIG. 35



RÉGLAGE DE LA RALLONGE DE TABLE

Pour rallonger la table, soulevez la poignée de verrouillage de la rallonge **4** (Fig. 35) et faites coulisser la rallonge de table **5** pour la mettre à la position désirée. Abaissez la poignée de verrouillage **4** pour bloquer le réglage (Fig. 35a).

FIG. 35a



UTILISATION DE L'INDICATEUR DU GUIDE DE REFENTE (Seulement si la rallonge n'est pas sortie)

Le guide de refente indique la distance entre la lame et le guide par l'intermédiaire d'un hublot pratique muni d'une loupe.

Mettez l'indicateur du guide de refente **4** en face de la partie inférieure de l'échelle **5**. L'échelle inférieure peut être utilisée jusqu'à 10 pouces (Fig. 36).

UTILISATION DE L'INDICATEUR DE TABLE (Seulement si la rallonge de table est sortie à fond)

La partie supérieure de l'échelle est utilisée pour refendre entre 10 et 18 po. Mettez l'indicateur de la table **7** en face de la partie supérieure de l'échelle **6** (Fig. 36).

REMARQUE : La capacité de coupe maximum vers la droite de la lame quand la rallonge de la table est fermée est de 10 po, comme indiqué sur l'échelle. Pour atteindre cette capacité, une partie des patins de glissement du guide,

situés au-dessous du levier de verrouillage, seront suspendus depuis le rail. La capacité de coupe maximum vers la droite de la lame quand la rallonge de la table est complètement ouverte est de 18 po. Pour atteindre cette capacité, une partie des patins de glissement du guide, situés au-dessous du levier de verrouillage, seront suspendus depuis le rail. Dans tous les cas, l'indicateur du guide de refente ne doit jamais être positionné au-delà de 10 po sur l'échelle du bas pour assurer la capacité de coupe maximum (Fig. 37).

FIG. 37

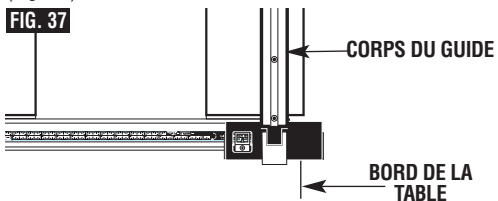
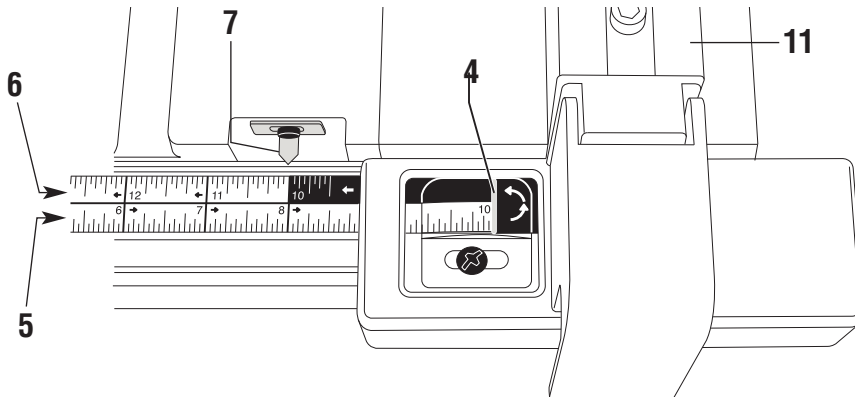


FIG. 36



ACCESSOIRES DE SCIAGE

Avant de commencer à vous servir de votre scie, commencez par lire attentivement l'ensemble du chapitre « Utilisation de la scie ».

Vous remarquerez que pour exécuter certains types de coupe, il est nécessaire d'avoir recours à certains accessoires de sciage tels que la baguette-poussoir, le plateau-poussoir et le guide de coupe auxiliaire, que vous pouvez fabriquer vous-même.

Après avoir effectué quelques coupes d'essai, fabriquez ces accessoires avant de vous lancer dans votre première réalisation. Fabriquez la baguette-poussoir en premier. (Une baguette-poussoir est fournie sans supplément de prix avec l'équipement GTS1031.)

BAGUETTE-POUSOIR ET PLATEAU-POUSOIR

Fabriquez la baguette-poussoir **1** à l'aide d'un tasseau de 1 po x 2 po, comme illustré (Fig. 38).

Fabriquez le plateau-poussoir à partir de deux morceaux de contreplaqué de 3/8 po **3** et de contreplaqué de 3/4 po **4** (Fig. 39). Pour apprendre à utiliser correctement un plateau-poussoir, voir page 65.

Le petit morceau de bois, de 3/8 po x 3/8 po x 2 1/2 po, doit être COLLÉ au contreplaqué... NE LE CLOUEZ PAS car vous risqueriez d'émauser la lame de la scie au cas où en coupant vous entreriez accidentellement en contact avec le plateau-poussoir.

Positionnez la poignée au centre du contreplaqué et assujettissez-la en utilisant de la colle des vis à bois.

Utilisez une baguette-poussoir chaque fois que le guide est à deux pouces ou plus de la lame. Utilisez un plateau-poussoir lorsque vous n'avez pas assez de place pour utiliser un plateau-poussoir. Pour apprendre à l'utiliser correctement, voir page 65.

Utilisez soit une baguette-poussoir, soit un plateau-poussoir à la place de la main de l'utilisateur afin de guider le matériau seulement entre le guide et la lame.

Lorsque vous utilisez une baguette-poussoir ou un plateau-poussoir, l'extrémité arrière de la planche doit être carrée. Une baguette-poussoir ou un plateau-poussoir contre un bord de fuite inégal risquerait de glisser ou de pousser l'ouvrage à distance du guide.

GUIDE DE COUPE AUXILIAIRE

Fabriquez cet accessoire à l'aide d'une plaque de contre-plaqué **3** de 3/8 po et d'une baguette de bois dur **4** de 3/4 po. Assemblez-les avec de la colle et des vis à bois (Fig. 40).

REMARQUE : Étant donné que le plateau-poussoir **2** et le guide de coupe auxiliaire **5** seront utilisés conjointement, les cotes de 4 po 3/4 doivent être rigoureusement identiques sur les deux pièces.

FABRICATION D'UNE PLANCHE À LANGUETTES

La figure 41 présente les cotes nécessaires à la fabrication d'une planche à languettes type. Utilisez une planchette plane ne comportant ni noeuds, ni fentes.

Le trait de scie **5** doit être d'environ 1/4 po largeur (Fig. 41).

FIG. 38 EXTRÉMITÉ CONTACT AVEC L'OUVRAGE

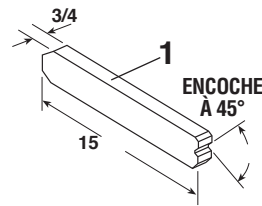
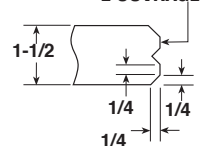
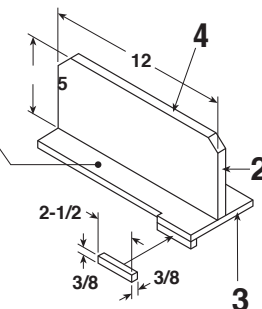
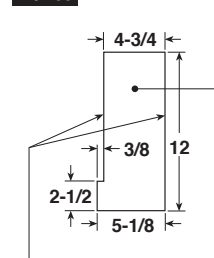
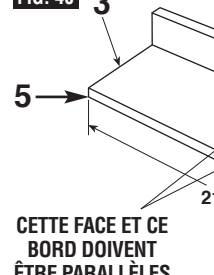


FIG. 39



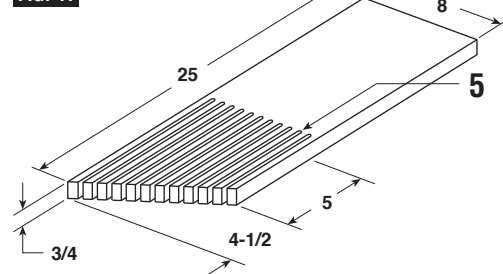
CES BORDS DOIVENT ÊTRE PARALLÈLES

FIG. 40



CETTE FACE ET CE BORD DOIVENT ÊTRE PARALLÈLES

FIG. 41



REMARQUE : Toutes les dimensions sont en pouces.

UTILISATION DU GUIDE DE COUPE ANGULAIRE

Le guide de coupe angulaire sert à exécuter les types de coupes suivantes : COUPES TRANSVERSALES, COUPES ANGULAIRES, COUPES EN BISEAU, COUPES ANGULAIRES BISEAUTÉES, ainsi que FEUILLURES sur les bords des petites pièces.

▲ AVERTISSEMENT Pour votre sécurité, prenez toujours les précautions suivantes, et conformez-vous en outre aux consignes de sécurité énoncées aux pages 37, 38, 39 et 40.

N'exécutez jamais de telles coupes à main levée (c'est-à-dire sans vous servir du guide de coupe angulaire ou d'autres accessoires) : la lame pourrait se coincer dans l'ouvrage et provoquer un REBOND ou vous happer le doigt ou la main.

Verrouillez toujours bien le guide de coupe angulaire avant de vous en servir.

Retirez le guide de refente de la table avant toute opération faisant appel au guide de coupe angulaire.

Le guide de coupe angulaire comprend un disque avec une rainure en forme de « T » **1** permettant une insertion facile dans la rainure de la table et un retrait encore plus rapide de la table (Fig. 42).

Lors d'une coupe transversale, et si la lame est réglée à un angle de 90° ou de 45° par rapport à la table, le guide de coupe angulaire peut être utilisé dans l'une quelconque des fentes sur la table. Lors d'une coupe transversale, et si la lame est inclinée, utilisez la fente du côté droit de la table, à l'endroit où la lame est inclinée dans la direction opposée à vos mains et au guide de coupe angulaire.

RÉGLAGE DU GUIDE DE COUPE ANGULAIRE

Desserrez le bouton de blocage **1** et réglez le corps du guide de coupe angulaire **2** de façon que l'indicateur **3** soit à l'angle voulu, puis serrez le bouton de blocage **1** (Fig. 42).

PIÈCE D'APPOINT AUXILIAIRE DU GUIDE DE COUPE ANGULAIRE

Le guide de coupe angulaire de l'équipement GTS1031 est conçu de façon à accepter une pièce d'appoint auxiliaire avec des trous prémoulés pour y attacher un morceau de bois droit et lisse approprié. Utilisez le guide de coupe angulaire comme gabarit pour la fixation avec des instruments appropriés (Fig. 43).

Exemple :

- Percez des trous débouchants de 5/32 po (planche de 3/4 po d'épaisseur, 3 po de hauteur et de longueur voulue).
- Fixez la planche à l'aide de deux vis N° 12 à tête ronde de 1-1/2 po de long (repère **6**), non incluses (Fig. 43).

Assurez-vous que les vis ne dépassent jamais au-dessus de la surface externe de la planche de guidage auxiliaire.

Assurez-vous que la planche de guidage auxiliaire ne gêne pas le fonctionnement du protège-lame.

REMARQUE : Lorsque vous exécutez des coupes transversales biseautées, fixez le guide auxiliaire de façon à ce qu'il dépasse du côté droit du guide de coupe angulaire et installez ce dernier dans la rainure située à droite de la lame.

FIG. 42

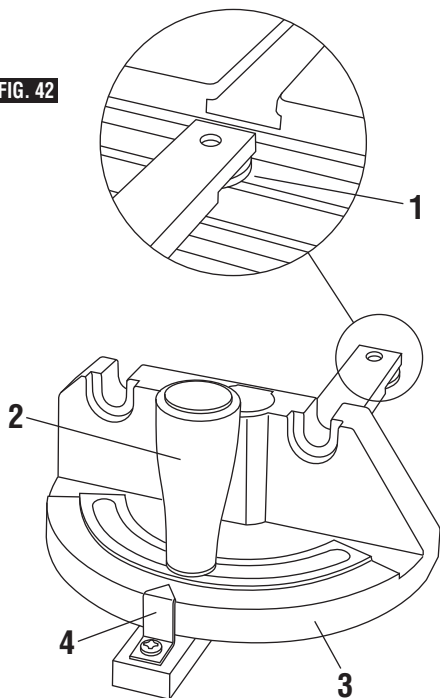
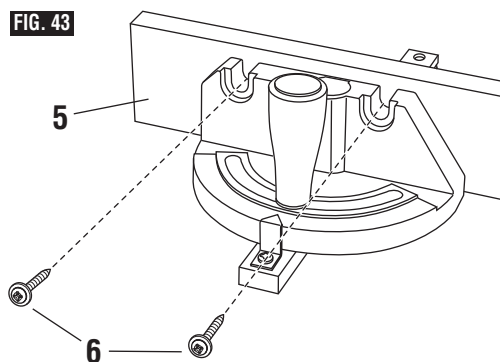


FIG. 43



COUPE TRANSVERSALE

Une coupe transversale est une coupe à 90° pratiquée à contre-fil, c'est-à-dire une coupe perpendiculaire aux deux bords et à la surface de la pièce. Elle se fait à l'aide du guide de coupe angulaire réglé à 90° (Fig. 44).

Veillez à ce que le protège-lame soit en place avant toute opération de coupe de part en part (ou coupe de bord à bord). Remettez le protège-lame en place IMMÉDIATEMENT après avoir achevé d'éventuelles rainures ou feuillures.

Régalez la lame de façon à ce qu'elle ne dépasse pas de plus d'1/8 po environ la face supérieure de l'ouvrage. L'exposition d'une partie plus longue de la lame augmenterait le risque d'accident.

Ne vous tenez pas directement en face de l'axe de coupe de la lame, en raison des risques de projection dans cette direction, par l'arrière de la lame, de fragments de matériau venant d'être découpé. Tenez-vous d'un côté ou de l'autre de la lame.

Gardez les mains à bonne distance de la lame et de son axe de coupe.

Si la lame se coince ou s'immobilise lors de la coupe, mettez l'interrupteur en position « ARRÊT » avant d'entreprendre de la dégager.

Ne tendez jamais le bras par-dessus la lame pour tirer l'ouvrage hors de la lame, soutenir des pièces longues ou lourdes, ou retirer des fragments venant d'être découpés. NI POUR AUCUNE AUTRE RAISON.

Ne ramassez pas, sur la table, les fragments de matériau venant d'être découpés. Faites-les TOMBER de la table en les poussant à l'aide d'un long bâton. Ils risqueraient sinon d'être projetés dans votre direction par l'arrière de la lame.

N'enlevez pas les petites pièces du matériau coupé qui peuvent SE LOGER à l'intérieur du protecteur de lame pendant que la scie est EN MARCHÉ. CECI POURRAIT METTRE VOS MAINS EN DANGER ou causer un REBOND. Mettez l'interrupteur en position « ARRÊT ». Une fois que la lame s'est immobilisée, relevez le protège-lame et dégagez le morceau de bois.

Si l'ouvrage est voilé, posez-le sur la scie face CONCAVE vers le BAS. Ainsi, il n'oscillera pas pendant la coupe.

L'échelle graduée du guide de coupe angulaire assure une précision suffisante pour la plupart des travaux de menuiserie. Pour des travaux de très haute précision, par exemple une coupe angulaire, faites une coupe d'essai et vérifiez-en la précision à l'aide d'une équerre juste ou d'un rapporteur.

Si nécessaire, vous pouvez modifier très légèrement l'orientation du guide de coupe angulaire afin de corriger toute imprécision.

REMARQUE : Tout est fait, lors de la fabrication, pour réduire le plus possible le jeu entre le réglé du guide de coupe angulaire et les bords de la gorge dans laquelle il coulisse. Pour une précision optimum, restez « fidèle » à l'un des bords de la gorge. Autrement dit, évitez de faire entrer alternativement le réglé en contact avec l'un puis l'autre bord de la gorge pendant la coupe; le réglé doit coulisser contre le même bord de la gorge tout au long de la coupe.

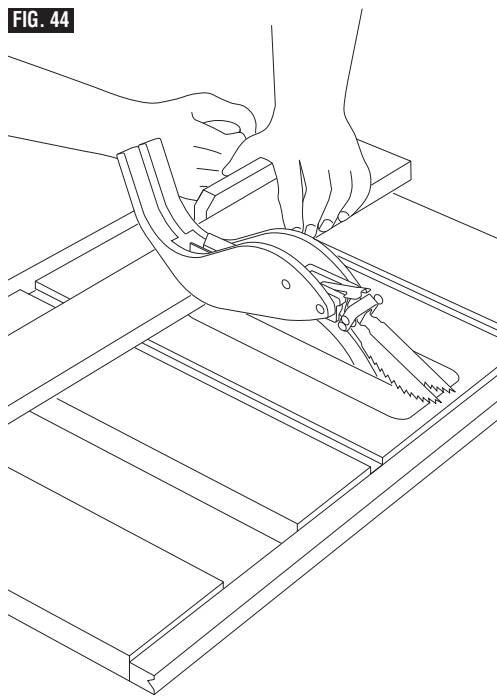
REMARQUE : Collez un morceau de papier de verre **1** sur la partie de la tête du guide qui doit entrer en contact avec l'ouvrage. Cela évitera à ce dernier de glisser pendant la coupe.

Le guide de coupe angulaire peut être utilisé dans n'importe laquelle des gorges de la table. Assurez-vous qu'il est bien verrouillé.

Lorsque vous vous servez du guide dans la gorge de GAUCHE, maintenez l'ouvrage fermement contre le guide avec votre main gauche et tenez la molette de verrouillage du guide de la main droite.

Lorsque vous vous servez du guide dans la gorge de DROITE, maintenez l'ouvrage fermement contre le guide avec votre main droite et tenez la molette de verrouillage de la main gauche.

FIG. 44



COUPE RÉPÉTITIVE

LA COUPE REPETITIVE consiste à couper plusieurs morceaux de la même longueur sans avoir à marquer chaque pièce (Fig. 45).

Avant d'effectuer des coupes répétitives dans une pièce longue, assurez-vous qu'elle est correctement soutenue.

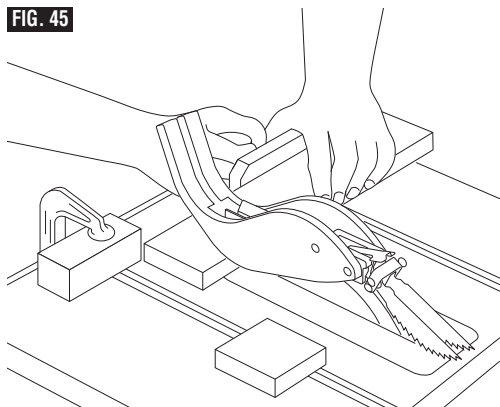
▲ AVERTISSEMENT N'utilisez jamais le guide de refente comme butée longitudinale car la pièce coupée pourrait se coincer entre le guide et la lame et provoquer un rebond.

1. Pour effectuer des coupes répétitives, calez un bloc de bois de 3 po de long sur la table à la longueur désirée pour servir de butée de longueur.

▲ AVERTISSEMENT Lorsque vous calez le bloc, assurez-vous que l'extrémité du bloc est bien en face de la lame de la scie et vérifiez qu'il est solidement fixé.

2. Faites glisser la pièce à couper le long du guide d'onglet jusqu'à ce qu'elle entre en contact avec le bloc. Maintenez-la solidement.
3. Effectuez la coupe ... tirez la pièce vers l'arrière ... dégagez la pièce coupée de la table avec une longue tige poussoir ...
D'ESSAYEZ PAS DE LA SAISIR AVEC LES MAINS CAR VOUS POURRIEZ VOUS BLESSER.

FIG. 45



COUPE ANGULAIRE

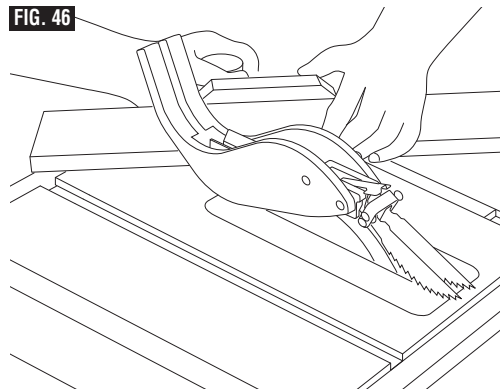
On appelle COUPE ANGULAIRE le découpage à un angle autre que 90° par rapport aux bords de la pièce. Suivez la même méthode que pour la coupe transversale (Fig. 46). Réglez le guide de coupe angulaire selon l'angle voulu et verrouillez-le.

Le guide de coupe angulaire peut être utilisé dans n'importe laquelle des deux gorges de la table de coupe.

Lorsque vous vous servez du guide dans la gorge de GAUCHE, maintenez l'ouvrage fermement contre le guide avec votre main gauche et tenez la molette de verrouillage du guide de la main droite.

Lorsque vous vous servez du guide dans la gorge de DROITE, maintenez l'ouvrage fermement contre le guide avec votre main droite et tenez la molette de verrouillage de la main gauche.

FIG. 46



COUPE TRANSVERSALE BISEAUTÉE

LA COUPE TRANSVERSALE BISEAUTÉE est une coupe transversale dans laquelle la pièce est en outre coupée à un angle autre que 90° par rapport à ses faces (Fig. 47). Réglez la lame selon l'angle voulu.

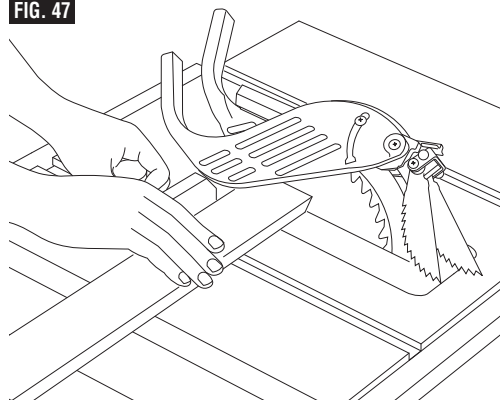
Servez-vous du guide de coupe angulaire placé dans la gorge située à DROITE de la lame.

COUPE ANGULAIRE BISEAUTÉE

LA COUPE ANGULAIRE BISEAUTÉE, comme son nom l'indique, est la combinaison d'une coupe angulaire et d'une coupe en biseau. En d'autres termes, il s'agit d'une coupe à un angle autre que 90° par rapport aux bords de la pièce comme par rapport à ses faces (Fig. 47).

Réglez le guide de coupe angulaire et l'inclinaison de la lame et assurez-vous que le guide de coupe angulaire est bien verrouillé.

FIG. 47



UTILISATION DU GUIDE DE REFENTE

Les COUPES EN LONG, COUPES EN LONG BISEAUTÉES, COUPES DE DÉDOUBLEMENT ET FEUILLURES se font à l'aide du GUIDE DE REFENTE et peuvent également nécessiter l'emploi d'un GUIDE DE COUPE AUXILIAIRE, d'un SUPPORT, d'une BAGUETTE-POUSSOIR ou d'un PLATEAU-POUSSOIR.

▲ AVERTISSEMENT Pour votre sécurité, prenez toujours les précautions suivantes, et conformez-vous en outre aux consignes de sécurité énoncées aux pages 37, 38, 39, et 40.

1. N'exécutez jamais de telles coupes À MAIN LEVÉE (c'est-à-dire sans vous servir du guide de refente ou d'autres accessoires, le cas échéant) : la lame pourrait se coincer dans l'ouvrage et provoquer un REBOND.
2. Verrouillez toujours bien le guide de refente avant de vous en servir.
3. Retirez le guide de coupe angulaire de la table avant toute opération faisant appel au guide de refente.
4. Veillez à ce que le protège-lame soit en place avant toute opération de coupe de part en part. Remettez le protège-lame en place IMMÉDIATEMENT après avoir achevé toutes coupes de dédoublement, feuillures, rainures ou moulures.

Assurez-vous fréquemment du bon fonctionnement des TAQUETS ANTI-REBOND en faisant glisser l'ouvrage le long du séparateur après avoir arrêté la scie.

Tirez l'ouvrage VERS vous. Si les TAQUETS ne MORDENT pas dans l'ouvrage et s'il ne le RETIENNENT pas, il faut les REMPLACER. Voir le chapitre « Entretien », à la page 69 et 70.

5. Réglez la lame de façon à ce qu'elle ne dépasse pas de plus d'1/8 po environ la face supérieure de l'ouvrage. Si la partie exposée de la lame était supérieure à 1/8 po, cela accroîtrait les risques liés à l'utilisation de la scie.
6. Ne vous tenez pas directement en face de l'axe de coupe de la lame, en raison des risques de REBOND. Tenez-vous d'un côté ou de l'autre de la lame.
7. Gardez les mains à bonne distance de la lame et de son axe de coupe.
8. Si la lame se coince ou s'immobilise lors de la coupe, mettez l'interrupteur en position « ARRÊT » avant d'entreprendre de dégager la lame.
9. Ne tendez jamais le bras par-dessus la lame pour tirer l'ouvrage hors de la lame, soutenir des pièces longues ou lourdes, ou retirer des fragments venant d'être découpés NI POUR AUCUNE AUTRE RAISON.
10. Ne ramassez pas, sur la table, les fragments de matériau venant d'être découpés. Faites-les TOMBER de la table en les poussant à l'aide d'un long bâton. Ils risqueraient sinon d'être projetés dans votre direction par l'arrière de la lame.
11. N'enlevez pas les petites pièces du matériau coupé qui peuvent SE LOGER à l'intérieur du protecteur de lame

pendant que la scie est EN MARCHÉ. CECI POURRAIT METTRE VOS MAINS EN DANGER ou causer un REBOND. Mettez l'interrupteur en position « ARRÊT ». Une fois que la lame s'est immobilisée, relevez le protège-lame et dégagez le morceau de bois.

12. Si l'ouvrage est voilé, posez-le sur la scie face CONCAVE vers le BAS. Ainsi, il n'oscillera pas pendant la coupe.

PIÈCE D'APPOINT AUXILIAIRE POUR LE GUIDE DE REFENTE

Lorsque vous utilisez des accessoires tels que des fers pour des rainures, il faut également utiliser une planche d'appoint. Ceci contribuera à éviter d'endommager le guide en aluminium. La planche d'appoint doit consister en un morceau de bois de 3/4 po d'épaisseur – la Figure 48 montre des plans dimensionnels permettant de fabriquer une planche d'appoint compatible avec cette scie.

Pièces requises :

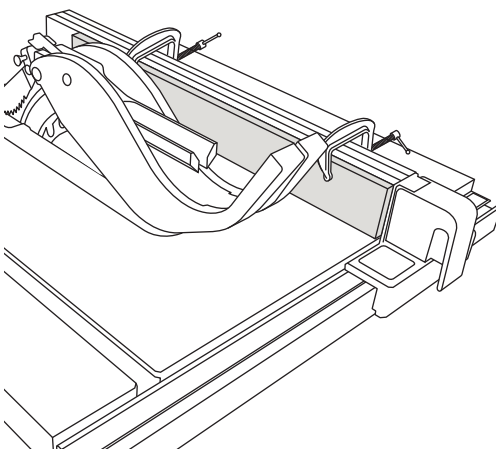
Planche en bois de 3/4 po d'épaisseur (bois à l'état naturel ou contreplaqué) coupée à la taille voulue.

Deux (2) brides de fixation.

La planche d'appoint est fabriquée à la même hauteur (2 3/4 po) que le guide et peut être utilisée avec le système de protège-lame en place lorsque le guide est déplacé pour entrer en contact avec la lame. Utilisez les deux brides pour assujettir la planche en bois de 3/4 po d'épaisseur au guide de refente.

REMARQUE : La pièce d'appoint auxiliaire doit également être utilisée pour couper des matériaux de moins de 3/16 po d'épaisseur.

FIG. 48



COUPE EN LONG

La COUPE EN LONG est la coupe d'un morceau de bois dans le sens du fil, c'est-à-dire dans le sens de la longueur. Elle s'exécute à l'aide du guide de refente. Positionnez le guide en fonction de la LARGEUR DE REFEND (largeur de la pièce résultant de la coupe en long) désirée et verrouillez-la. Avant de commencer la coupe, assurez-vous que :

- A. le guide de refente est parallèle à la lame;
- B. le séparateur est bien aligné avec la lame;
- C. les taquets anti-rebond fonctionnent correctement.

Lors de la coupe en long de PLANCHES LONGUES ou des PANNEAUX DE GRANDES DIMENSIONS, utilisez toujours un support auxiliaire pour l'ouvrage (Fig. 49).

Lorsque vous coupez en long un ouvrage qui a moins de 3/16 po d'épaisseur, utilisez toujours le guide auxiliaire décrit sous la rubrique consacrée à la pièce d'appont auxiliaire pour le guide de refente (page 64).

COUPE EN LONG BISEAUTÉE

Lorsque vous faites des coupes en long biseautées sur des pièces larges de 6 po ou moins, servez-vous du guide de refente placé du côté droit de la lame UNIQUEMENT. Vous disposerez ainsi de plus de place entre le guide et la lame pour vous servir d'une baguette-poussoir. Si le guide était monté à gauche de la lame, le protège-lame pourrait vous empêcher d'utiliser la baguette-poussoir correctement.

Si la LARGEUR DE REFEND est de 6 po ou PLUS, servez-vous de votre main DROITE pour faire avancer l'ouvrage et guidez l'ouvrage de la main GAUCHE UNIQUEMENT. NE FAITES PAS AVANCER l'ouvrage de la main gauche (Fig. 49).

Si la LARGEUR DE REFEND se situe entre 2 po et 6 po, faites avancer l'ouvrage À L'AIDE DU PLATEAU-POUSSOIR 1 (Fig. 50).

Si la LARGEUR DE REFEND est INFÉRIEURE à 2 po, il n'est pas possible de se servir de la baguette-poussoir à cause de la présence du protège-lame. SERVEZ-VOUS DU GUIDE DE COUPE AUXILIAIRE ET DU PLATEAU-POUSSOIR.

Fixez le guide de coupe auxiliaire 2 au guide de refente à l'aide de deux serre-joints en C (Fig. 51).

Faites avancer l'ouvrage à la main jusqu'à ce que son extrémité arrière soit à environ 1 po du bord avant de la table. Continuez à faire avancer l'ouvrage à l'aide du PLATEAU-POUSSOIR 3, en faisant coulisser ce dernier sur le guide de coupe auxiliaire JUSQU'À CE QUE LA COUPE DOIT ACHEVÉE (Fig. 52).

FIG. 49

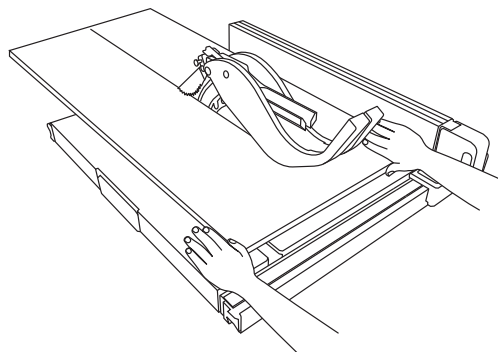


FIG. 50

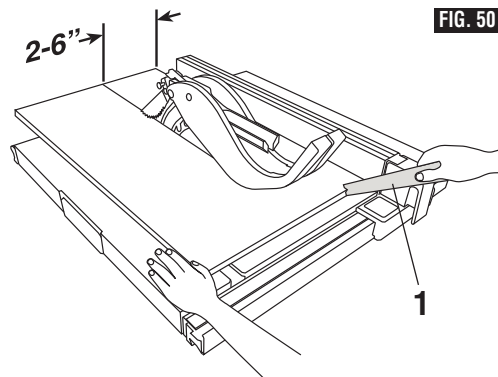


FIG. 51

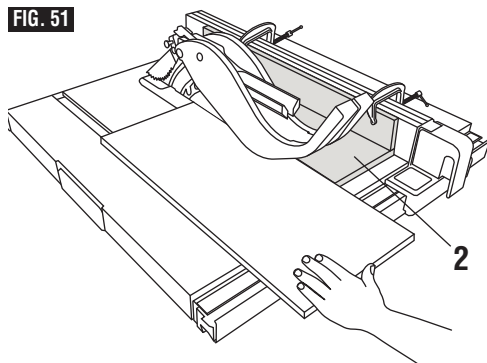
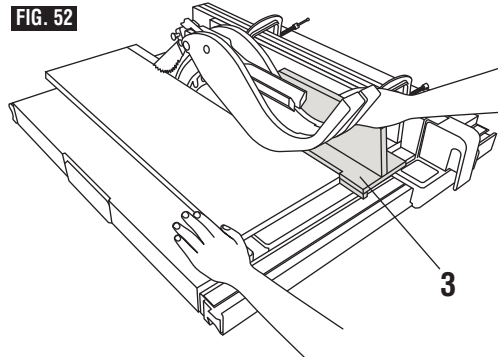


FIG. 52



COUPE PARTIELLE

Montez sur le guide de refente, sur toute sa longueur, une planche de 8 po de largeur (Fig. 53).

Servez-vous de planches à languettes pour toutes les opérations de coupe partielle (lorsqu'il faut enlever le protège-lame). Ces accessoires 1 servent à maintenir l'ouvrage en contact avec le guide et la table (voir illustration) et à prévenir les rebonds.

Fixez les planches à languettes 1 au guide et à la table suivant l'illustration, de façon à ce que les languettes maintiennent l'ouvrage pour toute la durée de la coupe, jusqu'à ce que vous ayez entièrement dégagé l'ouvrage de l'outil de coupe (lame, fer à rainurer, etc.) en le poussant à l'aide d'une baguette-poussoir 2, comme dans le cas d'une coupe en long.

Avant de commencer à scier (mettez la scie à la position « ARRÊT » (OFF) et réglez la lame en-dessous du niveau de la table) :

- A. Montez les planches à languettes de façon à ce qu'elles exercent une pression sur l'ouvrage; soyez certain qu'elles sont solidement fixées.
- B. Assurez-vous, en faisant des essais, que les languettes préviendront tout rebond éventuel.

On ne se sert pas de planches à languettes pour les opérations de coupe partielle faisant appel au guide de coupe angulaire.

REMETTEZ LE PROTÈGE-LAME EN PLACE DÈS QUE L'OPÉRATION DE COUPE PARTIELLE EST TERMINÉE.

RÉALISATION DE FEUILLURES

Une FEUILLURE est une rainure pratiquée le long du bord ou de l'extrémité d'une pièce (Fig. 54).

La réalisation d'une FEUILLURE nécessite l'exécution de coupes partielles. Le protège-lame doit donc être retiré.

1. Retirez le protège-lame.
2. Pour exécuter une feuillure le long d'un bord (sur le côté le plus long de l'ouvrage — voir illustration), montez sur le guide de refente une planche de largeur approchant celle de l'ouvrage. Réglez la position du guide de refente et de la lame, puis exécutez la première coupe, l'ouvrage étant placé à plat sur la table (voir Fig. 53). Faites la deuxième coupe en positionnant l'ouvrage verticalement. Prenez toutes les précautions et suivez toutes les instructions et consignes de sécurité applicables aux opérations de coupe en long : servez-vous de planches à languettes, d'une baguette-poussoir, etc.
3. Pour exécuter une feuillure en travers d'une extrémité large de 10 po 1/2 au maximum, positionnez l'ouvrage à plat sur la table. En vous servant du guide de coupe angulaire sur lequel vous aurez fixé une planche de guidage, suivez les instructions relatives à la coupe transversale en faisant des coupes successives en travers de la largeur de l'ouvrage afin

d'obtenir la profondeur désirée. **NE VOUS SERVEZ PAS** du guide de refente pour exécuter des feuillures d'extrémité.

4. **REMETTEZ LE PROTÈGE-LAME EN PLACE IMMÉDIATEMENT APRÈS AVOIR TERMINÉ LES FEUILLURES.**

On peut également réaliser des feuillures en une seule passe à l'aide d'un fer à rainurer.

FIG. 53

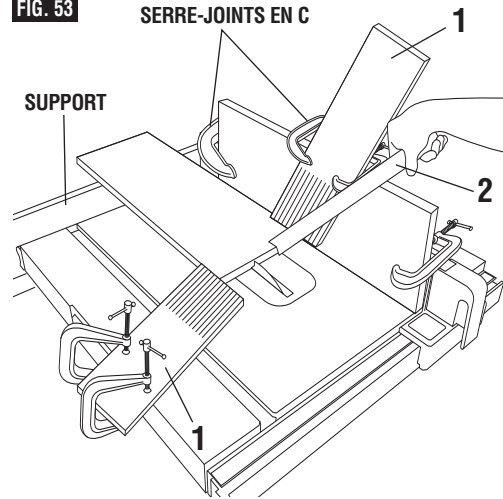
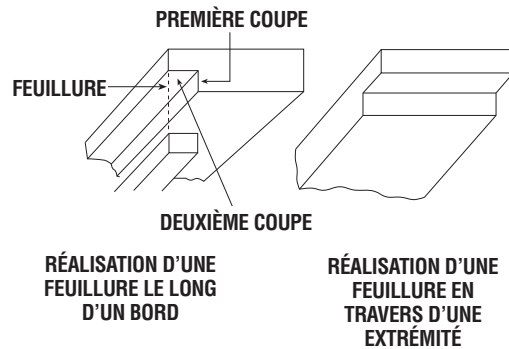


FIG. 53



COUPES DE RAINURES

Des instructions concernant l'emploi de la scie avec des fers à rainurer sont contenues dans le livret qui est fourni avec ces accessoires.

UTILISEZ TOUJOURS UNE PLAQUE AMOVIBLE APPROPRIÉE POUR UNE TABLE BOSCH ET DES RONDELLES INDICUÉES DANS LA LISTE DES ACCESSOIRES RECOMMANDÉS (voir page 70).

REMETTEZ TOUJOURS LES RONDELLES DE LAMES DANS LEURS POSITIONS INITIALES APRÈS AVOIR TERMINÉ UNE COUPE DE RAINURES.

INSTALLATION D'UN ENSEMBLE DE LAMES À RAINURER

Un ensemble de lames à rainurer est un système accessoire qui est utilisé pour créer des rainures partielles ou faire des coupes à recouvrement sur des ouvrages. Ces outils sont utilisés couramment dans le cadre de la construction de meubles et d'armoires. Après que les ouvrages ont été rainurés correctement, ils peuvent être jointoyés de façon très serrée. La scie de table GTS1031 permet de réaliser des coupes de rainures d'une largeur pouvant atteindre 1/2 po en une seule passe.

⚠ AVERTISSEMENT pour réduire le risque de blessure, débranchez toujours la fiche de la prise de courant avant de changer des lames.

⚠ AVERTISSEMENT utilisez toujours la plaque amovible de table pour rainurage Bosch N° TS1013 (fourni avec une rondelle accessoire pour coupe de rainures). Ne faites jamais de coupes de rainures sans avoir installé cette plaque amovible. N'utilisez pas de lames de coupe à rainurer de plus de 8 po de diamètre. N'inclinez jamais de lames à rainurer à un angle de biseau autre que l'angle vertical de 0°. Suivez tous les avertissements et toutes les instructions montrés ici ainsi que ceux qui accompagnent votre ensemble de lames à rainurer. Le non-respect de ces avertissements pourrait causer des blessures corporelles graves.

⚠ AVERTISSEMENT pour réduire le risque de blessure, n'utilisez pas de lames à rainurer de plus de 8 pouces de diamètre. La scie n'est pas conçue pour accepter des outils de coupe de rainure de plus grande taille.

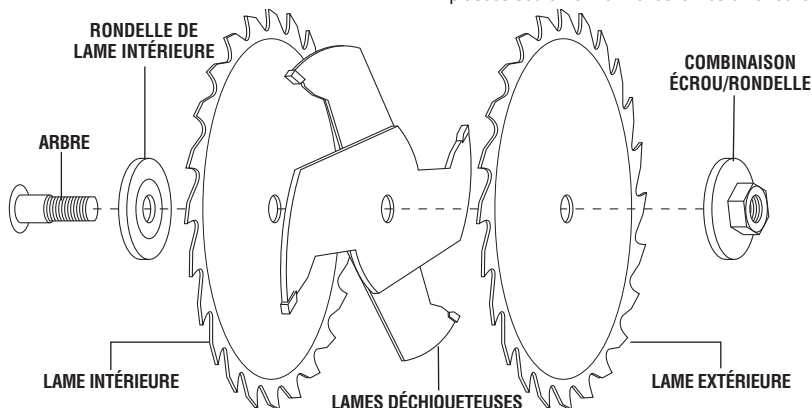
UTILISATION D'ENSEMBLES DE LAMES À RAINURER EMPILÉES

REMARQUE : ces instructions sont basées sur l'utilisation de lames à rainurer professionnelles Bosch de 8 po et de 6 po : modèles N° PRO824DADO, PRO840DADO et PRO624DADO. Elles s'appliquent aussi à la plupart des lames à rainurer empilées standard.

1. Débrancher la fiche de la prise de courant.
2. Retirez la barrière de sécurité et le dispositif de protection contre les chocs en retour (voir manuel, page 48 et 49). Abaissez le couteau diviseur et verrouillez-le dans sa position la plus basse.
3. Retirez la plaque amovible de table standard. Élevez la lame de scie à la hauteur maximum.
4. Retirez l'écrou de fixation de l'arbre, puis la rondelle extérieure et la lame de la scie (voir page 50). Remarque : si vous faites seulement des rainures, laissez la rondelle intérieure en place. La rondelle extérieure sera remplacée par la combinaison d'écrou et de rondelle accompagnant la plaque amovible de l'équipement TS1013.
5. Installation d'une pile de lames à rainurer (Fig. 55)
 - A) Placez les parties désirées de l'ensemble de lames à rainurer sur la tige de l'arbre.
 - B) Placez les composants désirés de l'ensemble de lames à rainurer sur l'arbre.
 - C) Placez la combinaison d'écrou et de rondelle provenant de la trousse d'accessoires pour les coupes de rainurage (TS1013) sur l'extérieur de la pile de lames à rainurer et serrez.
6. Placement des lames à rainurer et des lames déchiqueteuses : (voir Fig. 55)

- Pour des coupes de 1/4 po de large, placez les deux lames à rainurer extérieures (couteaux) sur l'arbre. Les deux lames à rainurer extérieures peuvent être différentes - lisez toutes les informations nécessaires sur les lames et les instructions du fabricant pour installer les lames correctement.
- Pour les coupes plus larges (jusqu'à 1/2 po au maximum), des lames déchiqueteuses et des entretoises peuvent être placées seulement entre les lames extérieures (couteaux).

FIG. 55



⚠ AVERTISSEMENT pour réduire le risque de blessure, n'utilisez jamais une seule lame à rainurer pour une coupe normale traversant tout le matériau. N'utilisez jamais de lames déchiqueteuses sans les deux couteaux extérieurs installés. Lisez et suivez toutes les instructions et consignes de sécurité accompagnant l'ensemble de lames à rainurer.

REMARQUE : Avec cette scie, ne dépassez pas une largeur empilée de plus de 1/2 po. Utilisez la combinaison d'écrou/de rondelle fournie avec l'équipement TS1013.

7. Abaissez les lames au-dessous du dessus de la table et insérez la plaque amovible de table pour rainurage Bosch (TS1013) (Fig 57). Élevez les couteaux jusqu'à la profondeur de coupe désirée (au-dessus de la plaque amovible). Assurez-vous que l'outil n'est pas branché dans une prise de courant ; puis faites tourner les couteaux à la main en prenant toutes les précautions nécessaires pour vérifier que tous les composants sont solidement en place et qu'il n'existe pas d'interférences.

8. Branchez la scie dans une prise de courant. Utilisez des morceaux de bois résiduels pour pratiquer vos coupes de rainurage, et ajustez la hauteur en conséquence.

⚠ AVERTISSEMENT pour réduire le risque de blessure, ne faites jamais passer vos mains au-dessus des lames à rainurer. Les coupes de rainurage sont des coupes partielles (aveugles). À de nombreux moments, il n'est pas possible de voir les couteaux pendant la coupe. Voir les instructions sur le sciage partiel à la page 66.

⚠ AVERTISSEMENT pour réduire le risque de blessure, ne faites jamais de coupes à main levée. L'ouvrage doit être maintenu contre le guide de refente ou le guide coupe angulaire de la scie pendant qu'on le fait avancer dans la scie. Dans la mesure du possible, utilisez des baguettes-poussoirs et des plateaux-poussoirs pour faire des coupes longitudinales (voir page 65). Utilisez toujours des planches à languettes, attachées à la table ou au guide, pour faire des coupes longitudinales (voir page 66). Lors de coupes transversales, maintenez fermement l'ouvrage contre le guide de coupe angulaire (voir page 62).

REMARQUE : étant donné que les coupes de rainures sont des coupes partielles seulement, le guide de coupe angulaire peut être utilisé avec le guide de refente verrouillé en place. Ceci est utile quand vous faites des coupes transversales de rainurage répétées depuis les extrémités de plusieurs ouvrages. Chaque ouvrage est maintenu en place contre le guide de coupe angulaire et son extrémité glisse le long du guide de refente à une distance prédéterminée.

En fonction de la profondeur finale de la coupe et/ou de la densité du matériau, il peut être nécessaire de réaliser de multiples coupes en commençant par de faibles profondeurs de 1/4 po à 1/2 po, et en progressant jusqu'à la profondeur finale. En cas de réalisation de coupes de rainurage extensives répétées, inspectez périodiquement les ouvrages pour vérifier que la profondeur de coupe n'a pas changé.

REMISE DE LA SCIE EN ÉTAT POUR DES COUPES TRAVERSANT COMPLÈTEMENT UN OUVRAGE

Après avoir réalisé votre coupe de rainurage, n'oubliez pas de remettre les rondelles intérieures et extérieures dans leurs positions d'origine (voir les détails à la page 50). Il est important que les rondelles de l'équipement d'origine soient dans leurs positions correctes pour que la lame de scie puisse toujours s'aligner avec le couteau diviseur installé de façon permanente.

ENSEMBLES DE LAMES À RAINURER RÉGLABLES OU OSCILLANTES

⚠ AVERTISSEMENT pour réduire le risque de blessure, n'utilisez pas d'ensembles de lames à rainurer réglables ou « oscillantes » sur cette scie. Les ensembles de lames à rainurer réglables peuvent être réglés facilement dans des positions qui peuvent affecter d'autres éléments de cette scie.

FIG. 56

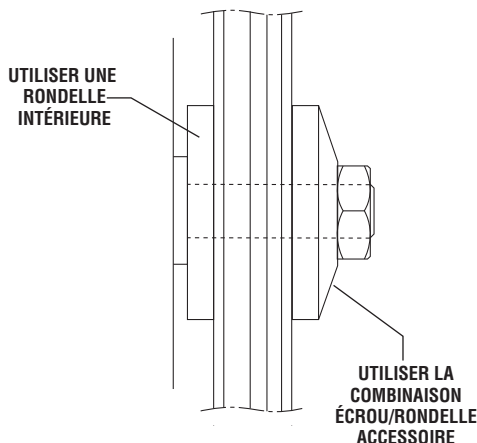
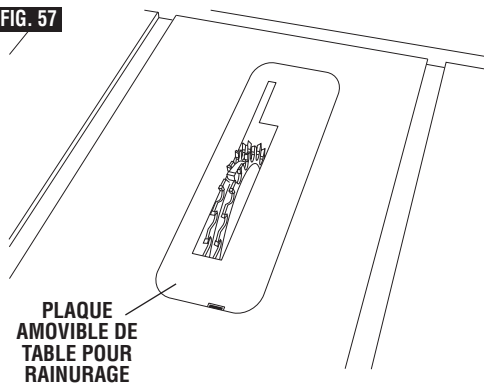


FIG. 57



TECHNIQUES DE COUPE SPÉCIALISÉES

⚠ AVERTISSEMENT Cette scie est un outil multi-usages pouvant exécuter un très grand nombre de coupes hautement spécialisées qu'il n'est pas possible d'aborder dans le présent Guide de l'utilisateur. Ne tentez pas d'exécuter des coupes dont ne parle pas ce guide à moins de très bien connaître la marche à suivre, y compris les méthodes de fixation.

Vous pouvez consulter, à votre bibliothèque locale, divers livres consacrés aux techniques de menuiserie, tels que « The Complete Book of Stationary Power Tool Techniques », de R.J. De Christoforo, ou « Table Saw Techniques », de R. Cliffe.

COUPE DE MÉTAUX ET DE MAÇONNERIE

⚠ AVERTISSEMENT Cette scie à table n'est pas recommandée pour couper des métaux tels que l'aluminium ou le cuivre, même avec une lame spéciale conçue pour couper de tels matériaux.

⚠ AVERTISSEMENT Cette scie à table n'est pas recommandée pour couper des matériaux en maçonnerie, même avec des meules de tronçonnage abrasives.

Entretien de la scie de table

ENTRETIEN

⚠ AVERTISSEMENT Pour votre sécurité, mettez l'interrupteur en position « ARRÊT » et débranchez la fiche du secteur avant toute opération d'entretien ou de lubrification de votre scie.

NETTOYAGE DU DÉVERSOIR DE POUSSIÈRE AVEC RÉCEPTACLE

À certains moments, des débris très fins peuvent tomber à travers la plaque amovible de la table et s'accumuler dans le déversoir de poussière. Cette accumulation risquerait d'entraver la collecte de poussière. Votre équipement GTS1031 est conçu avec un déversoir de poussière avec réceptacle qui permet de nettoyer rapidement et facilement cet espace.

⚠ AVERTISSEMENT Pour votre propre sécurité, mettez l'interrupteur dans la position d'arrêt (OFF) et débranchez la fiche de la prise de courant avant de procéder à toute opération de maintenance sur votre scie.

1. Desserrez la vis de fixation **1** du déversoir à poussière avec réceptacle. Voir Fig. 58.
2. Retirez le déversoir à poussière avec réceptacle **2** en le faisant glisser dans le sens opposé à celui de l'outil, et nettoyez tous les débris.
3. Rattachez le déversoir à poussière avec réceptacle **2** et assujettissez-le avec la vis de fixation.

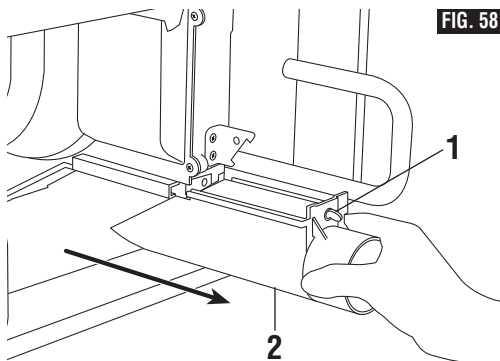


FIG. 58

⚠ AVERTISSEMENT L'outil ne doit pas être utilisé sans que le déversoir à poussière avec réceptacle n'ait été attaché correctement avec la vis de fixation.

Ne laissez pas s'accumuler la sciure à l'intérieur de la scie. Expulsez fréquemment à l'aide d'un jet d'air la poussière qui peut s'accumuler à l'intérieur du bâti de la scie, du moteur ou des engrenages d'élévation de la lame.

Nettoyez périodiquement le dispositif de protection. Essuyez-le ou nettoyez-le avec un jet d'air comprimé.

Essuyer le cordon d'alimentation et la machine à l'aide d'un chiffon propre et sec afin de prévenir toute détérioration due à de l'huile ou de la graisse.

⚠ MISE EN GARDE Certains détergents et solvants ont un effet corrosifs sur le plastique; il s'agit entre autres de l'essence, du tétrachlorure de carbone, des solvants chlorés, de l'ammoniaque et des détergents domestiques contenant de l'ammoniaque. En évitant d'utiliser ces produits, ainsi que d'autres types de produits de nettoyage, vous réduirez au minimum les risques d'endommager votre machine.

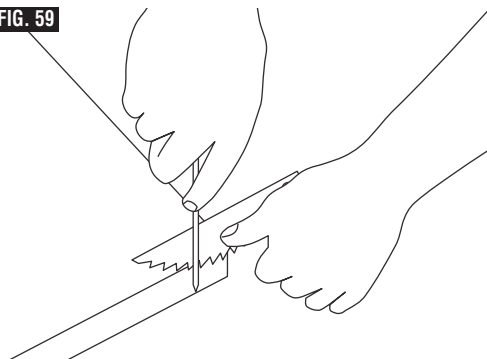
Une couche de cire de carrossier appliquée de temps à autre sur la table de coupe contribuera à la propreté de cette dernière et permettra à l'ouvrage d'y glisser facilement.

Faire remplacer immédiatement le cordon d'alimentation s'il est usé, entaillé ou endommagé de quelque façon que ce soit.

Veillez à ce que les dents des TAQUETS ANTI-REBONDS soient toujours affûtées. Marche à suivre pour l'affûtage.

1. Retirez le protège-lame.
2. Relevez les taquets en les ramenant vers l'arrière de façon à ce que leurs dents soient orientées vers le haut, au-dessus du séparateur.
3. Tenez le séparateur de la main gauche et placez le taquet contre un coin de l'établi (Fig. 59).
4. Aiguiser les dents du taquet à l'aide d'une petite lime ronde à grain fin.

FIG. 59



LUBRIFICATION

Tous les engrenages ont été lubrifiés en usine. Toutefois, après six mois à un an, selon la fréquence d'utilisation, il est bon de renvoyer votre outil au Centre de service le plus proche afin de faire procéder aux opérations suivantes :

- Remplacement des balais
- Nettoyage et inspection des différentes pièces
- Nouvelle lubrification à l'aide de lubrifiant vierge
- Vérification du système électrique
- Toutes réparations éventuelles

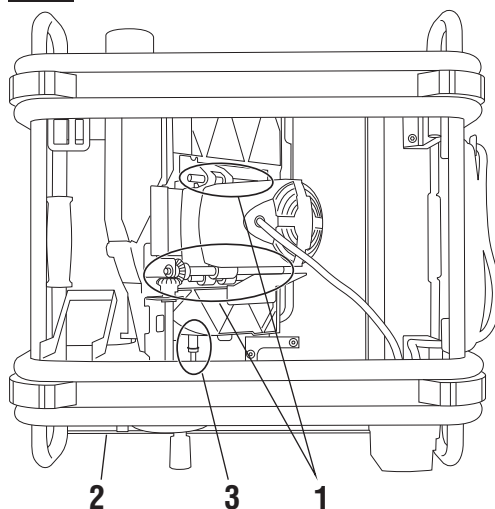
Les pièces suivantes doivent être huilées de temps en temps avec de l'huile SAE N° 20 ou N° 30, ou de la WD 40 (Fig. 60).

1. Réglage de hauteur, barres de support et engrenages.
2. Rails de coulisse et supports.
3. Cames de verrouillage de la table (avant et arrière).

⚠ AVERTISSEMENT

Toutes les réparations électriques ou mécaniques ne doivent être effectuées que par un technicien qualifié. Adressez-vous au Centre de service en usine Bosch ou à une Station-service Bosch agréée, ou à tout autre service de réparation compétent. N'utilisez que des pièces de rechange Bosch ; d'autres types de pièces pourraient présenter un danger.

FIG. 60



Accessoires recommandés

Article

Sac à poussière
Élément amovible sans jeu
Ensemble d'élément amovible pour rainurer

No. de cat.

TS1004
TS1012
TS1013

Article

Système de guide de poussoir
Support pour scie à table

No. de cat.

TS1010
GTA500

⚠ AVERTISSEMENT

N'utilisez que des accessoires recommandés. Suivez les instructions fournies avec les accessoires. L'utilisation d'accessoires inadaptés peut présenter un danger.

Guide de diagnostic

AVERTISSEMENT

Mettez l'interrupteur en position « ARRÊT » et débranchez le cordon d'alimentation avant de rechercher les causes d'une panne éventuelle.

PROBLÈME: LA SCIE NE DÉMARRE PAS

- CAUSES POSSIBLES**
1. Le cordon d'alimentation n'est pas branché.
 2. Fusible grillé ou disjoncteur déclenché.
 3. Cordon d'alimentation endommagé.
 4. Interrupteur grillé.
- SOLUTION**
1. Brancher le cordon.
 2. Remplacer le fusible ou réenclencher le disjoncteur.
 3. Faire remplacer le cordon par un Centre de service ou une Station service Bosch agréés.
 4. Faire remplacer l'interrupteur par un Centre de service ou une Station service Bosch agréés.

PROBLÈME: LA LAME NE TOURNE PAS À UNE VITESSE SUFFISANTE CAUSES POSSIBLES

- SOLUTION**
1. Rallonge d'alimentation électrique de trop faible calibre ou trop longue.
 2. Tension insuffisante du système électrique domestique.
 1. Utiliser une rallonge adaptée.
 2. Prévenir la compagnie d'électricité.

PROBLÈME: VIBRATIONS EXCESSIVES

- CAUSES POSSIBLES**
1. Poignée de verrouillage du dispositif d'inclinaison de la lame insuffisamment serrée.
 2. Lame déséquilibrée.
 3. La scie n'est pas bien fixée à son support ou à l'établi.
 4. L'écrou de fixation de l'outil de coupe n'est pas assez serré.
- SOLUTION**
1. Voir le chapitre « Familiarisez-vous avec votre scie » (pages 44-45).
 2. Mettre la lame au rebut et en installer une autre.
 3. Resserer tous les boulons de fixation; voir le chapitre « Installation de la scie » (page 51).
 4. Voir la section « Changement de la lame », au chapitre « Réglages » (page 49 et 50).

PROBLÈME: LA LAME SE COINCE OU PROVOQUE UN ÉCHAUFFEMENT EXCESSIF DE L'OUVRAGE, OU LE MOTEUR SE BLOQUE, PENDANT UNE COUPE EN LONG

- CAUSES POSSIBLES**
1. Lame émoussée et voie des dents inadaptée.
 2. Planche gondolée.
 3. Le guide de refente n'est pas parallèle à la lame.
 4. Le séparateur n'est plus aligné.
- SOLUTION**
1. Affûter ou remplacer la lame.
 2. Vérifier si vous avez placé la planche côté concave (creux) VERS LE BAS, et faire avancer lentement contre la lame.
 3. Voir la section « Alignement du guide de refente », au chapitre « Réglages » (page 54).
 4. Voir la section « Montage du système Smart Guard « Assemblage » (page 47 - 49).

PROBLÈME: LA SCIE NE DONNE PAS LES RÉSULTATS ESCOMPTÉS LORSQU'ELLE EST RÉGLÉE POUR UNE COUPE À 90° ET À 45°

- CAUSES POSSIBLES**
- SOLUTION**
1. Les vis d'alignement sont mal réglées.
 1. Se reporte à la section « Réglage du parallélisme de la lame par rapport au guide de coupe angulaire » (page 53).

PROBLÈME: LA POIGNÉE DE VERROUILLAGE DU DISPOSITIF D'INCLINAISON DE LA LAME OU LE VOLANT DE RÉGLAGE DE HAUTEUR SONT DIFFICILES À MANOEUVRER

- CAUSES POSSIBLES**
- SOLUTION**
1. La poignée de verrouillage n'était pas desserrée au moment du réglage de l'inclinaison.
 1. Il y a de la sciure sur le filetage de la vis de réglage de la profondeur.
 1. Voir la section « Poignée de verrouillage du dispositif d'inclinaison de la lame », au chapitre « Familiarisez-vous avec votre scie » (page 44-45).
 2. Voir la section « Lubrification », au chapitre « Entretien » (page 70).

Normas generales de seguridad

⚠ ADVERTENCIA

“LEA TODAS LAS INSTRUCCIONES”. El incumplimiento de las normas de seguridad indicadas a continuación y otras precauciones de seguridad básicas puede dar lugar a lesiones personales graves.

Area de trabajo

MANTENGA ALEJADOS A LOS NIÑOS

No permita que los visitantes toquen la herramienta o el cordón de extensión. Todos los visitantes deben mantenerse alejados del área de trabajo.

MANTENGA LIMPIAS LAS AREAS DE TRABAJO

Las áreas y mesas desordenadas invitan a que se produzcan accidentes.

HAGA EL TALLER A PRUEBA DE NIÑOS

Con candados e interruptores maestros.

EVITE LOS ENTORNOS PELIGROSOS

No utilice herramientas mecánicas en lugares húmedos o mojados. Mantenga el área de trabajo bien iluminada. No exponga las herramientas mecánicas a la lluvia. No utilice la herramienta en presencia de líquidos o gases inflamables.

Seguridad personal

CONOZCA SU HERRAMIENTA MECANICA

Lea y entienda el manual del usuario y las etiquetas puestas en la herramienta. Aprenda las aplicaciones y los límites, así como los peligros potenciales específicos que son propios de esta herramienta.

NO INTENTE ALCANZAR DEMASIADO LEJOS

Mantenga una posición y un equilibrio adecuados en todo momento.

MANTENGASE ALERTA

Fijese en lo que está haciendo. Use el sentido común. No utilice la herramienta cuando esté cansado. No la use cuando se encuentre bajo la influencia de medicamentos o al tomar alcohol u otras drogas.

VISTASE ADECUADAMENTE

No se ponga ropa holgada ni joyas. Pueden quedar atrapadas en las piezas móviles. Se recomiendan guantes de caucho y calzado antideslizante cuando se trabaja a la intemperie. Use cubiertas protectoras para el pelo a fin de sujetar el pelo largo.

USE GAFAS DE SEGURIDAD

Use también una careta o una máscara contra el polvo si la operación genera polvo, y protección en los oídos cuando use las herramientas mecánicas mucho rato.

PROTEJASE CONTRA LAS SACUDIDAS ELECTRICAS

Evite el contacto del cuerpo con las superficies conectadas a tierra. Por ejemplo: tuberías, radiadores, cocinas y refrigeradores.

DESCONECTE LAS HERRAMIENTAS DE LA FUENTE DE ENERGIA

Cuando no se estén utilizando, antes del servicio de ajustes y reparaciones, al cambiar hojas, brocas, cortadores, etc.

MANTENGA PUESTOS LOS PROTECTORES

En buenas condiciones de funcionamiento y con el ajuste y la alineación adecuados.

QUITTE LAS LLAVES DE AJUSTE Y LAS LLAVES DE TUERCA

Cuando no se estén utilizando, antes del servicio de ajustes y reparaciones, al cambiar hojas, brocas, cortadores, etc.

EVITE EL ARRANQUE ACCIDENTAL

Asegúrese de que el interruptor está en la posición “OFF” (desconectado) antes de enchufar la herramienta.

NUNCA SE SUBA A LA HERRAMIENTA NI A SU SOPORTE

Se podrían producir lesiones graves si la herramienta se inclina o si se toca accidentalmente la herramienta de corte. No guarde materiales sobre la herramienta ni cerca de ésta de tal manera que sea necesario subirse a la herramienta o a su soporte para llegar a ellos.

REVISE LAS PIEZAS DAÑADAS

Antes de volver a utilizar la herramienta, una protección u otra pieza que esté dañada deberá revisarse cuidadosamente para asegurarse de que funcionará adecuadamente y de que realizará la función para la cual está diseñada. Verifique la alineación de las piezas móviles, el montaje y cualquier otra situación que pueda afectar su funcionamiento. Un protector o cualquier otra pieza que presenta daños se debe sustituir adecuadamente.

⚠ ADVERTENCIA

Todas las reparaciones, eléctricas o mecánicas, deben ser realizadas únicamente por técnicos de reparación capacitados. Póngase en contacto con el Centro de servicio de fábrica Bosch más próximo, con la Estación de servicio Bosch autorizada o con otro servicio de reparaciones competente.

⚠ ADVERTENCIA

Utilice piezas de repuesto Bosch únicamente; cualquier otra puede constituir un peligro.

⚠ ADVERTENCIA

Utilice únicamente accesorios que estén recomendados por el fabricante de su modelo. Los accesorios que pueden ser adecuados para una herramienta pueden volverse peligrosos cuando se utilizan en otra herramienta.

Utilización de la herramienta

NO FUERCE LA HERRAMIENTA

La herramienta hará el trabajo mejor y con más seguridad a la capacidad para la cual fue diseñada.

UTILICE LA HERRAMIENTA ADECUADA

No fuerce una herramienta pequeña o un accesorio pequeño a realizar el trabajo de una herramienta pesada. No utilice la herramienta para funciones para las cuales no fue diseñada — por ejemplo, no use una sierra circular para cortar ramas o troncos de árboles.

“CONSERVE ESTAS INSTRUCCIONES”

Normas de seguridad adicionales

FIJE LA PIEZA DE TRABAJO

Utilice abrazaderas o un tornillo de carpintero para sujetar la pieza de trabajo cuando esto resulte práctico. Es más seguro que utilizar la mano y deja libres ambas manos para manejar la herramienta.

DIRECCION DE AVANCE

Haga avanzar la pieza de trabajo por una hoja o cortador en contra del sentido de rotación de la hoja o cortador únicamente.

NUNCA DEJE LA HERRAMIENTA FUNCIONANDO DESATENDIDA

Apague la herramienta. No deje la herramienta hasta que ésta se haya detenido por completo.

Cuidado de la herramienta

NO ALTERE NI HAGA USO INCORRECTO DE LA HERRAMIENTA

Estas herramientas están fabricadas con precisión. Cualquier alteración o modificación no especificada constituye un uso incorrecto y puede dar lugar a situaciones peligrosas.

EVITE LAS AREAS DE GASES

No utilice herramientas eléctricas en una atmósfera gaseosa o explosiva. Los motores de estas herramientas normalmente producen chispas y pueden dar lugar a una situación peligrosa.

MANTENGA LAS HERRAMIENTAS CON CUIDADO

Conserve las herramientas afiladas y limpias para que funcionen mejor y con más seguridad. Siga las instrucciones para lubricar y cambiar los accesorios. Inspeccione periódicamente los cordones de las herramientas y si están dañados hágalos reparar por un centro de servicio autorizado. Inspeccione periódicamente los cordones de extensión y sustitúyalos si están dañados. Mantenga los mangos secos, limpios y libres de aceite y grasa.

⚠ ADVERTENCIA Antes de conectar la herramienta a una fuente de energía (caja tomacorriente, tomacorriente, etc.), asegúrese de que el voltaje suministrado es el mismo que el que se indica en la placa del fabricante de la herramienta. Una fuente de energía con un voltaje superior al especificado para la herramienta puede ocasionar graves lesiones al usuario, así como daños a la herramienta. En caso de duda, **NO ENCHUFE LA HERRAMIENTA**. La utilización de una fuente de energía con un voltaje inferior a la capacidad nominal indicada en la placa del fabricante es perjudicial para el motor.

⚠ ADVERTENCIA Para su propia seguridad no haga funcionar la sierra de mesa hasta que ésta se encuentra completamente montada e instalada conforme a las instrucciones ... y hasta que haya leído y entendido lo siguiente:

1. Normas generales de seguridad72-75
2. Herramientas con aislamiento doble76
3. Familiarización con la sierra de mesa79-80
4. Ensamblaje82-86
5. Ajustes87-91
6. Funcionamiento básico de la sierra de mesa92-104
7. Mantenimiento de la sierra de mesa104-105

7. ESTABILIDAD DE LA SIERRA

La sierra de mesa DEBE ESTAR ATORNILLADA firmemente a una base o banco de trabajo. Además, si la sierra de mesa tiende a inclinarse o moverse durante ciertas operaciones tales como el corte de tablas largas y pesadas, utilice un soporte auxiliar.

8. UBICACION

Utilice la sierra de mesa en un área bien iluminada sobre una superficie nivelada, suficientemente limpia y lisa para reducir el riesgo de tropezones y caídas. Utilícela donde ni el operador ni el observador casual se vean forzados a situarse en línea con la hoja.

9. RETROCESO

El retroceso puede causar lesiones graves: Se produce "RETROCESO" cuando una parte de la pieza de trabajo se atasca entre la hoja de la sierra y el tope guía para cortar al hilo u otro objeto fijo. El que la pieza de trabajo se atasque en la hoja debido a una mala alineación también puede causar retroceso. Durante el retroceso, la pieza de trabajo se eleva respecto a la mesa y sale despedida hacia el operador. Mantenga la cara y el cuerpo a un lado de la hoja de sierra, fuera de línea con un posible "RETROCESO".

LOS RETROCESOS Y LAS POSIBLES LESIONES NORMALMENTE SE PUEDEN EVITAR:

- a. Manteniendo el tope-guía para cortar al hilo paralelo a la hoja de sierra.
- b. Manteniendo afilada la hoja de sierra. Cambiando o afilando los trinquetes antirretroceso cuando las puntas se desafilan.
- c. Manteniendo el protector de la hoja de sierra, el separador y los trinquetes antirretroceso en su sitio y funcionando adecuadamente. El separador debe estar alineado con la hoja de sierra y los trinquetes deben detener el retroceso una vez que éste haya comenzado. Compruebe el funcionamiento de éstos antes de cortar al hilo.
- d. NO cortando al hilo una pieza de trabajo que esté torcida o combada o que no tenga una regla recta para guiar a lo largo del tope-guía para cortar al hilo.
- e. NO soltando la pieza de trabajo hasta que haya sido empujada hasta pasar completamente la hoja de sierra.
- f. Utilizando un palo de empujar para cortar al hilo anchos de 2" a 6" y un tope-guía auxiliar y un bloque de empujar para cortar al hilo anchos más de menos de 2" (vea la sección "Funcionamiento básico de la sierra utilizando el tope-guía para cortar al hilo", páginas 99-100).
- g. NO confinando la pieza cortada al cortar al hilo o al cortar transversalmente.
- h. Al cortar al hilo, aplique la fuerza de avance a la sección de la pieza de trabajo entre la hoja de sierra y el tope-guía para cortar al hilo. Utilice un palo de empujar o un bloque de empujar cuando sea adecuado (vea el ítem f. más arriba).

"CONSERVE ESTAS INSTRUCCIONES"

Normas de seguridad adicionales

10. PROTECCION: Ojos, manos, cara, oídos y cuerpo.

▲ ADVERTENCIA PARA EVITAR SER ARRASTRADO HACIA LA HERRAMIENTA QUE GIRA,

NO USE: Guantes que queden holgados
Ropa holgada
Corbata, joyas

**SUJETESE EL PELO LARGO DETRAS DE LA CABEZA
SUBASE LAS MANGAS LARGAS POR ENCIMA DE LOS CODOS**

a. Si cualquier pieza de la sierra falta, funciona mal, ha sido dañada o rota ... tal como el interruptor del motor u otro control de funcionamiento, un dispositivo de seguridad o el cordón de energía ... deje de utilizar la herramienta inmediatamente hasta que la pieza específica se repare o sustituya adecuadamente.

b. Use gafas de seguridad y máscara si la operación genera polvo. Use protectores para los oídos u orejeras durante los períodos de funcionamiento prolongados. Pequeños pedazos de madera sueltos u otros objetos que hacen contacto con la parte posterior de la hoja que gira pueden salir despedidos hacia el operador a una velocidad excesiva. Normalmente esto se puede evitar manteniendo el protector de la hoja y el separador en su sitio para todas las operaciones de "ASERRADO PAS-ANTE" (aserrado atravesando por completo la pieza de trabajo) Y retirando de la mesa todos los pedazos sueltos con un palo de madera largo INMEDIATAMENTE después de que son cortados.

c. Utilice precaución adicional cuando se quita el ensamblaje del protector para reaserrar, cortar mortajas, cortar rebajos o moldear — vuelva a colocar el protector en cuanto se termine de realizar la operación.

d. NUNCA encienda la sierra (posición "ON") antes de retirar de la mesa todas las herramientas, desechos de madera, etc., excepto la pieza de trabajo y los dispositivos de avance o soporte relacionados para la operación planeada.

e. NUNCA sitúe la cara o el cuerpo en línea con la herramienta de corte.

- NUNCA ponga los dedos ni las manos en la trayectoria de la hoja de sierra ni de ninguna otra herramienta de corte.

- NUNCA ponga ninguna de las manos detrás de la herramienta de corte para sujetar o soportar la pieza de trabajo, retirar desechos de madera o por ninguna otra razón. Evite las operaciones extrañas y las posiciones difíciles de las manos en las cuales un resbalón repentino podría hacer que los dedos o la mano se movieran hasta entrar en contacto con la hoja de sierra u otra herramienta de corte.

- NO realice ninguna operación "A PULSO" — utilice siempre el tope-guía para cortar al hilo o el calibre de ingletes para posicionar y guiar la pieza de trabajo.

- NUNCA utilice el tope-guía para cortar al hilo al realizar cortes transversales ni el calibre de ingletes al cortar al hilo. NO utilice el tope-guía para cortar al hilo como tope de longitud.

- NUNCA agarre ni toque el "extremo libre" de la pieza de trabajo o "un pedazo libre" que se ha cortado mientras la herramienta está encendida y/o la hoja de sierra está girando.

- Apague la sierra y desconecte el cordón de energía al quitar el accesorio de inserción de la mesa, cambiar la herramienta de corte, quitar o cambiar el protector de la hoja, o realizar ajustes.

- Proporcione un soporte adecuado para la parte posterior y los lados de la mesa de sierra para piezas de trabajo más anchas o más largas.

- El plástico y los materiales de composición (como el tablero de aglomerado) se pueden cortar con la sierra. Sin embargo, como éstos suelen ser bastante duros y resbaladizos, es posible que los trinquetes antirretroceso no puedan detener el retroceso. Por lo tanto, preste atención especial a seguir los procedimientos adecuados de preparación y corte para realizar cortes al hilo. No se sitúe, ni permita que nadie se sitúe, en línea con un posible retroceso.

f. Si la hoja de corte se detiene o trava en la pieza de trabajo, apague la sierra, retire la pieza de trabajo de la hoja de sierra y compruebe si la hoja de sierra se encuentra paralela a las ranuras o acanaladuras de la mesa y si el separador se encuentra alineado adecuadamente con la hoja de sierra. Si en ese momento está cortando al hilo, compruebe si el tope-guía para cortar al hilo se encuentra paralelo a la hoja de sierra. Reajústelo tal como se indica.

g. NUNCA haga agrupaciones transversalmente al corte — alineando más de un pieza de trabajo frente a la hoja (apiladas vertical u horizontalmente hacia afuera sobre la mesa) y empujándolas luego a través de la hoja de sierra. La hoja podría enganchar una o más piezas y causar un atasco o pérdida de control y posibles lesiones.

h. NO retire pedazos pequeños de material cortado que puedan quedar atrapados dentro del protector de la hoja mientras la sierra está en marcha. Esto podría poner en peligro las manos o causar retroceso. APAGUE la sierra y espere hasta que la hoja se detenga.

i. No ponga las manos más allá de la base de la sierra de mesa.

11. CONOZCA SUS HERRAMIENTAS DE CORTE

Las herramientas de corte desafiladas, gomosas o inadecuadamente afiladas o triscadas pueden hacer que el material se adhiera, trabe, detenga la sierra o experimente retroceso hacia el operador. Minimice los posibles peligros mediante el mantenimiento adecuado de la herramienta de corte y la máquina. NUNCA INTENTE LIBERAR UNA HOJA DE SIERRA DETENIDA SIN APAGAR LA SIERRA PRIMERO.

a. NUNCA utilice ruedas de amolar, ruedas abrasivas de corte, ruedas de fricción (hojas de cortar metal en tiras), ruedas con rayos de alambre o ruedas de bruñir.

b. UTILICE ÚNICAMENTE ACCESORIOS RECOMENDADOS.

"CONSERVE ESTAS INSTRUCCIONES"

Normas de seguridad adicionales

c. Las operaciones de corte transversal se realizan de manera más conveniente y con mayor seguridad si se coloca un refrentado de madera auxiliar en el calibre de ingletes. (Vea las páginas 96.)

d. Asegúrese de que la parte superior de la herramienta de corte gira hacia usted cuando se encuentra situado en una posición normal de operación. Asegúrese también de que la herramienta de corte, los collarines del eje portaherramienta y la tuerca del eje portaherramienta están instalados adecuadamente. Mantenga la herramienta de corte tan baja como sea posible para la operación que se está realizando. Mantenga todos los protectores colocados en su sitio siempre que sea posible.

OBSERVE Y SIGA LAS INSTRUCCIONES DE SEGURIDAD QUE APARECEN EN LA PARTE DELANTERA DE LA SIERRA DE MESA.

- No utilice ninguna hoja u otra herramienta de corte marcada para una velocidad de funcionamiento inferior a 5000 R.P.M. Nunca utilice una herramienta de corte con un diámetro superior al diámetro para el cual se diseñó la sierra. Para máxima seguridad y eficacia al cortar al hilo, utilice la hoja de diámetro máximo para la cual se diseñó la sierra, ya que bajo estas condiciones el separador se encuentra más próximo a la hoja.

e. Asegúrese de que el accesorio de inserción de la mesa se encuentra la ras con la superficie de la mesa o ligeramente por debajo de dicha superficie en todos los lados excepto el posterior. NUNCA haga funcionar la sierra a menos que el accesorio de inserción adecuado se encuentre instalado.

12. PIENSE EN LA SEGURIDAD

LA SEGURIDAD ES UNA COMBINACION DE SENTIDO COMUN POR PARTE DEL OPERADOR Y DE ESTAR ALERTA EN TODO MOMENTO CUANDO SE ESTA UTILIZANDO LA SIERRA DE MESA.

ADVERTENCIA No deje que el trabajar de manera confiada debido a la familiarización con la

herramienta (adquirida con el uso frecuente de la sierra de mesa) se convierta en algo habitual. Recuerde siempre que un descuido de una fracción de segundo es suficiente para causar lesiones graves.



ANSI Z87.1 (mostradas en el paquete) antes de comenzar a utilizar la herramienta mecánica.

ADVERTENCIA Cierto polvo generado por el lijado, aserrado, amolado y taladrado mecánicos, y por otras actividades de construcción, contiene agentes químicos que se sabe que causan cáncer, defectos de nacimiento u otros daños sobre la reproducción. Algunos ejemplos de estos agentes químicos son:

- Plomo de pinturas a base de plomo,
- Sílice cristalina de ladrillos y cemento y otros productos de mampostería, y
- Arsénico y cromo de madera tratada químicamente.

Su riesgo por causa de estas exposiciones varía, dependiendo de con cuánta frecuencia realice este tipo de trabajo. Para reducir su exposición a estos agentes químicos: trabaje en un área bien ventilada y trabaje con equipo de seguridad aprobado, como por ejemplo máscaras antipolvo que estén diseñadas especialmente para impedir mediante filtración el paso de partículas microscópicas.



ADVERTENCIA Para su propia seguridad: Lea y entienda el manual del usuario antes de utilizar la sierra. • Use protección de los ojos. Taponos de oídos y máscara antipolvo según sea necesario. Sepa cómo apagar la herramienta en una emergencia. • Antes de comenzar cualquier "corte pasante", asegúrese de que:

- Los protectores de la hoja no estén bloqueados en la posición hacia "arriba", que se puedan mover libremente hacia arriba y hacia abajo y que estén descansados sobre la mesa.

- la cuchilla separadora esté en la posición completamente hacia "arriba".
- los triángulos antirretroceso estén instalados.
- la profundidad de corte esté ajustada justo por encima del grosor de la pieza de trabajo.
- Cuando corte al hilo:
 - empuje la pieza de trabajo solamente sobre el lado de la hoja correspondiente al tope-guía.
 - no ponga nunca más allá del punto central de la hoja la mano que no esté usando para empujar.

- el tope-guía debe estar paralelo a la hoja.
- para realizar cortes en bisel, use el tope-guía solamente en el lado derecho de la hoja.
- use un "palo de empujar" o un "bloque de empujar" en el caso de piezas de trabajo estrechas.
- Sepa cómo evitar el riesgo de "retroceso". No presione la pieza de trabajo contra el lado de la hoja que gira.
- No se sitúe delante de la hoja de sierra que gira.
- Mantenga el cuerpo y las manos en cualquiera de los dos lados de la hoja.

ADVERTENCIA No ponga nunca las manos alrededor de la hoja de sierra ni sobre ella. • No ponga las manos más allá de la base de la sierra de mesa. Mantenga las manos alejadas de la hoja que gira. • Desconecte la sierra de la fuente de energía antes de realizar servicio de ajustes y reparaciones o de cambiar la hoja. No se debe hacer ningún ajuste hasta que la herramienta se haya detenido. • No deje que las piezas de cortadas sueltas queden en cuña entre la hoja que gira y el tope-guía. • No retire nunca las piezas ataradas o cortadas hasta que la hoja se haya detenido.


- No haga nunca cortes utili zando el calibre de ingletes junto con el tope-guía. • No realice ninguna operación "a pulsos". • Use el calibre de ingletes para cortar transversalmente. Cuando el calibre de ingletes esté ajustado más allá de 45 grados, la madera podría forzar el protector hacia la hoja. • Antes de realizar "cortes no pasantes", quite el protector y los triángulos antirretroceso, y ajuste la cuchilla separadora a la posición justo debajo de la altura de la hoja de sierra. Para "cortar ranuras", la cuchilla separadora se debe ajustar a la posición más baja.
- Soporte las piezas de trabajo anchas o largas con bases de

soporte auxiliares. • Sujete firmemente la base de la herramienta a una plataforma estable o un banco de trabajo estable. • Mantenga el interior de la sierra libre de acumulación de aserrín para evitar el peligro de incendio. • Cuando haga servicio de ajustes y reparaciones de la herramienta, utilice únicamente piezas de repuesto idénticas. • No exponga la herramienta a la lluvia ni la use en lugares húmedos.

"CONSERVE ESTAS INSTRUCCIONES"

Herramientas con aislamiento doble

HERRAMIENTAS CON AISLAMIENTO DOBLE

El aislamiento doble  es un concepto de diseño utilizado en las herramientas mecánicas eléctricas que elimina la necesidad de un cordón de energía de tres cables conectado a tierra y de un sistema de fuente de energía conectado a tierra. Es un sistema reconocido y aprobado por Underwriter's Laboratories, la CSA y las autoridades federales de la OSHA.

IMPORTANTE: El servicio de ajustes y reparaciones de una herramienta con aislamiento doble requiere cuidado y conocimiento del sistema y deberá ser realizado únicamente por un técnico de servicio competente.

DURANTE EL SERVICIO DE AJUSTES Y REPARACIONES, UTILICE ÚNICAMENTE PIEZAS DE REPUESTO IDENTICAS.

ENCHUFES POLARIZADOS. Para reducir el riesgo de sacudidas eléctricas, su herramienta está equipada con un enchufe polarizado (una terminal es más ancha que la otra), este enchufe entrará en un tomacorriente polarizado solamente de una manera. Si el enchufe no entra por completo en el tomacorriente, déle la vuelta. Si sigue sin entrar, póngase en contacto con un electricista competente para instalar el tomacorriente adecuado. Para reducir el riesgo de sacudidas eléctricas, no haga ningún tipo de cambio en el enchufe.

CORDONES DE EXTENSION

ADVERTENCIA Sustituya los cordones dañados inmediatamente. La utilización de cordones dañados puede causar sacudidas, quemar o electrocutar.

ADVERTENCIA Si se necesita un cordón de extensión, se debe utilizar un cordón con conductores de tamaño adecuado para prevenir caídas de tensión excesivas, pérdidas de potencia o sobrecalentamiento. La tabla muestra el tamaño correcto a utilizar, según la longitud del cordón y la capacidad nominal en amperios indicada en la placa del fabricante de la herramienta. En caso de duda, utilice la medida más gruesa siguiente. Utilice siempre cordones de extensión catalogados por U.L. y la CSA.

TAMAÑOS RECOMENDADOS DE CORDONES DE EXTENSION HERRAMIENTAS DE 120 V CORRIENTE ALTERNA

Capacidad nominal en amperios de la herramienta	Tamaño del cordón en A.W.G.				Tamaños del cable en mm ²			
	Longitud del cordón en pies				Longitud del cordón en metros			
	25	50	100	150	15	30	60	120
3-6	18	16	16	14	0,75	0,75	1,5	2,5
6-8	18	16	14	12	0,75	1,0	2,5	4,0
8-10	18	16	14	12	1,0	1,0	2,5	4,0
10-12	16	16	14	12	1,0	2,5	4,0	—
12-16	14	12	—	—	—	—	—	—

NOTA: Cuanto más pequeño es el número de calibre, más grueso es el cordón.

“CONSERVE ESTAS INSTRUCCIONES”

Indice

Normas generales de seguridad	Página	72	Calibre de ingletes	Página	80
Normas de seguridad adicionales	73-75	Enrollador del cordón	80	Área para guardar el tope-guía para cortar al hilo	80
Herramientas con aislamiento doble y cordones de extensión	76	Área de almacenamiento del palo de empujar y las llaves de ajustee	80	Mango de transporte con una mano	80
Índice	76-77	Almacenamiento del sistema de protector inteligente Smart Guard	80	Orificio para polvo / Conexión de aspiración	80
Glosario de términos	77-78	Área de almacenamiento del dispositivo antirretroceso	80	Área para guardar el calibre de ingletes	80
Herramientas necesarias para el ensamblaje	78	Llave hexagonal y área de almacenamiento	80	Soporte de instalación de la base de soporte	80
Familiarización con la sierra de mesa	79-80	Desempaquetado y comprobación del contenido	81	Tabla de piezas sueltas	81
Interruptor de encendido	79	Ensamblaje	82-86	Instalación de los componentes del sistema Smart Guard	82-83
Rueda de elevación	79	Instalación de los componentes del sistema Smart Guard	82-83	Cambio de la hoja	84-85
Mango de fijación de la inclinación de la hoja	79				
Escala de inclinación de la hoja	79				
Base/subbase	79				
Mango de fijación de la extensión de la mesa	79				
Palo de empujar	79				
Extensión de la mesa	79				
Tope-guía para cortar al hilo	79				
Escala del tope-guía para cortar al hilo	79				
Sistema de protector inteligente Smart Guard	79				
Accesorio de inserción de la mesa	79				
Mesa	80				

	Página		Página
Colocación del tope-guía para cortar al hilo.....	86	Utilización del indicador de la mesa.....	94
Montaje de la sierra de mesa.....	86	Ayudantes de trabajo.....	95
Ajustes de funcionamiento.....	87–91	Utilización del calibre de ingletes.....	97
Ajuste de los topes positivos de 0 y 45 grados.....	87	Corte transversal.....	99
Ajuste de la hoja paralela a la ranura del calibre de ingletes.....	88	Corte repetitivo.....	98
Alineación del tope-guía para cortar al hilo.....	89	Corte a inglete.....	98
Ajuste del indicador del tope-guía para cortar al hilo.....	89	Corte transversal en bisel.....	98
Ajuste del indicador de la mesa.....	90	Corte a inglete compuesto.....	98
Alineación de la Cuchilla Separadora.....	90–91	Utilización del tope-guía para cortar al hilo.....	99–100
Ajuste del accesorio de inserción de la mesa.....	91	Corte al hilo.....	100
Control de inclinación de la hoja.....	91	Corte al hilo bisel.....	100
Funcionamiento básico de la sierra de mesa.....	92–104	Aserrado no pasante.....	101
Interruptor de encendido de seguridad.....	92	Corte de rebajos.....	101
Sistema de protector inteligente Smart Guard.....	92–93	Corte de mortajas.....	102–103
Ajuste de la extensión de la mesa.....	94	Mantenimiento de la sierra de mesa.....	104
Control de inclinación de la hoja.....	94	Despeje del conducto / recogedor de polvo.....	105
Utilización del indicador del tope-guía para cortar al hilo.....	94	Lubricación.....	105
		Accesorios.....	105
		Localización y reparación de averías.....	106

Glosario de términos

PIEZA DE TRABAJO

El objeto en el cual se está realizando la operación de corte. Las superficies de una pieza de trabajo se conocen comúnmente como caras, extremos y bordes.

TRINQUETES ANTIRRETROCESO

Dispositivo que, cuando se mantiene adecuadamente, está diseñado para evitar que la pieza de trabajo experimente retroceso hacia el operador durante la operación.

EJE PORTAHERRAMIENTA

El eje sobre el cual se monta una herramienta de corte.

CORTE TRANSVERSAL

Una operación de corte o de dar forma que se realiza transversalmente al ancho de la pieza de trabajo cortando la pieza de trabajo con la longitud que se necesita.

MORTAJA

Un corte no pasante que produce una muesca o acanaladura de lados en ángulo recto en la pieza de trabajo.

TABLA CON CANTO BISELADO

Un dispositivo que puede ayudar a guiar piezas de trabajo durante una operación del tipo de corte al hilo manteniendo la pieza de trabajo en contacto con el tope-guía para cortar al hilo. También ayuda al prevenir el retroceso.

A PULSO

La realización de un corte sin utilizar un tope-guía, un calibre de ingletes, un dispositivo de fijación, un accesorio de sujeción u otro dispositivo adecuado para evitar que la pieza de trabajo se tuerza durante el corte.

GOMA

Un residuo pegajoso basado en savia de productos de madera. Después de endurecerse se le conoce como "RESINA".

TALONAJE

Desalineación de la hoja que hace que el lado posterior o de salida de la hoja entre en contacto con la superficie cortada de la pieza de trabajo. El talonaje puede causar retroceso, atasco, fuerza excesiva, quemadura de la pieza de trabajo o astillado. En general, el talonaje produce un corte de mala calidad y puede constituir un peligro para la seguridad.

SEPARACION DE CORTE

El espacio entre la pieza de trabajo de donde la hoja quitó el material.

RETROCESO

Un agarre y lanzado incontrolados de la pieza de trabajo hacia la parte delantera de la sierra durante una operación del tipo de corte al hilo.

EXTREMO DE AVANCE

El extremo de la pieza de trabajo que durante una operación del tipo de corte al hilo es empujado primero hacia la herramienta de corte.

MOLDURA

Un corte no pasante que produce una forma especial en la pieza de trabajo utilizada para unión o decoración.

ASERRADO NO PASANTE

Toda operación de corte en la cual la hoja no atraviesa completamente la pieza de trabajo.

PALO DE EMPUJAR

Un dispositivo utilizado para hacer avanzar la pieza de trabajo a través de la sierra durante una operación del tipo de corte al hilo estrecha y que ayuda a mantener las manos del operador bien alejadas de la hoja. Utilice el palo de empujar para anchos de corte al hilo de menos de 6 pulgadas y más de 2 pulgadas.

BLOQUE DE EMPUJAR

Un dispositivo utilizado para operaciones del tipo de corte al hilo demasiado estrechas para permitir el uso de un palo de empujar. Utilice un bloque de empujar para anchos de corte al hilo de menos de 2 pulgadas.

REBAJO

Una muesca en el borde de una pieza de trabajo. También se le llama mortaja de borde.

CORTE AL HILO

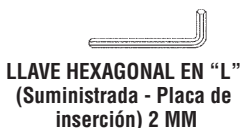
Una operación de corte a lo largo de la longitud de la pieza de trabajo cortándola con el ancho que se necesita.

REVOLUCIONES POR MINUTO (R.P.M.)

El número de vueltas completadas en un minuto por un objeto que gira.

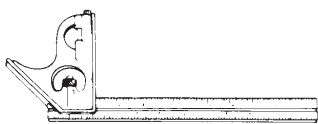
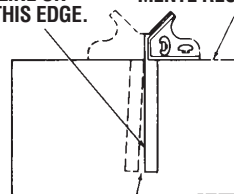
Herramientas necesarias para el ensamblaje y el ajuste

LA ESCUADRA DE COMBINACION DEBE ESTAR ALINEADA



DRAW LIGHT LINE ON BOARD ALONG THIS EDGE.

BORDE RECTO DE LA TABLA DE 3/4" DE GROSOR. ESTE BORDE DEBE SER PERFECTAMENTE RECTO.



NO DEBE HABER ESPACIO NI SUPERPOSICION AQUI CUANDO SE DE LA VUELTA A LA ESCUADRA EN LA POSICION DE LA LINEA DE PUNTOS.

ADVERTENCIA

Desconecte el enchufe de la fuente de energía antes de realizar cualquier ensamblaje, ajuste o reparación para evitar posibles lesiones.

Familiarización con la sierra de mesa

1. INTERRUPTOR DE ENCENDIDO

El interruptor incorpora un agujero para utilizarlo con un candado con el fin de evitar el arranque accidental.

2. RUEDA DE ELEVACION

Sube o baja la hoja. También se utiliza para inclinar la hoja desde 0 hasta 45 grados.

3. MANGO DE FIJACION DE LA INCLINACION DE LA HOJA

Fija el mecanismo de inclinación después que se ha ajustado la hoja en la posición deseada.

4. ESCALA DE INCLINACION DE LA HOJA

Muestra el grado de inclinación de la hoja.

5. BASE

Soporta la sierra de mesa. La base cuenta con agujeros para empinar la sierra a un banco de trabajo o una base de soporte. Incluye mangos integrados de transporte y ajuste.

6. MANGO DE FIJACION DE LA EXTENSION DE LA MESA

Permite fijar la extensión de la mesa a las distancias deseadas. También impide el uso de la sierra de mesa con la extensión desbloqueada.

7. PALO DE EMPUJAR

Permite cortar al hilo piezas más pequeñas de material con un mayor nivel de seguridad.

8. EXTENSION DE LA MESA

Proporciona una superficie de trabajo más grande para piezas de trabajo más largas.

9. TOPE-GUIA PARA CORTAR AL HILO

El exclusivo tope-guía para cortar al hilo Squarelock™ de alineación automática se puede mover o fijar fácilmente en su sitio, simplemente subiendo o bajando el mango de fijación.

10. ESCALA DEL TOPE-GUIA PARA CORTAR AL HILO

Muestra la distancia desde la hoja hasta el tope-guía para cortar al hilo a través de una conveniente ventana de visualización y aumento. La porción inferior de la escala puede utilizarse hasta 10 pulgadas. La porción superior de la escala se utiliza para hacer cortes más allá de 10 pulgadas.

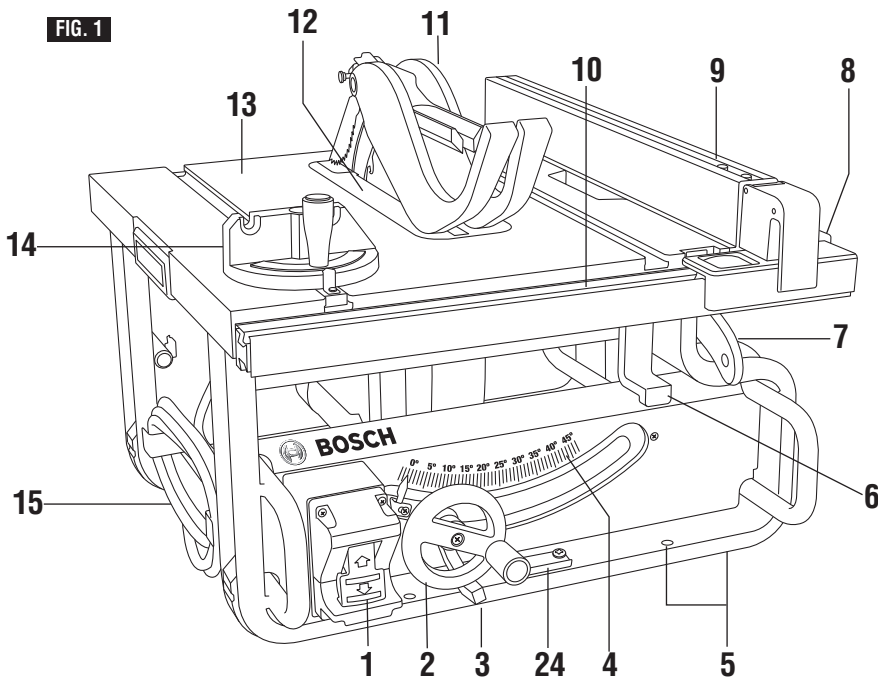
11. SISTEMA DE PROTECTOR INTELIGENTE SMART GUARD

Consiste en tres elementos clave: Cuchilla separadora ajustable (3 posiciones), dispositivo antirretroceso y dispositivo de protector de barrera. Todos estos elementos son parte de un sistema modular que no requiere herramientas para ensamblarlo o desensamblarlo. Este sistema de protector debe estar colocado siempre y funcionar correctamente para todos los cortes de aserrado pasante.

12. ACCESORIO DE INSERCIÓN DE LA MESA

Es extraíble para quitar o instalar la hoja u otras herramientas de corte.

FIG. 1



Familiarización con la sierra de mesa

13. MESA

Proporciona una superficie de trabajo grande para apoyar la pieza de trabajo.

14. CALIBRE DE INGLETES

La cabeza se puede fijar en la posición deseada para cortar transversalmente o para cortar a inglete apretando el pomo fijación. FIJELO FIRMEMENTE SIEMPRE QUE LO UTILICE.

15. ENROLLADOR DEL CORDON

Permite enrollar fácilmente el cordón de manera que no estorbe durante el transporte o almacenamiento de la herramienta.

16. AREA PARA GUARDAR EL TOPE-GUIA PARA CORTAR AL HILO

Guarda de manera práctica el tope-guía para cortar al hilo cuando no se está utilizando.

17. ÁREA DE ALMACENAMIENTO DEL PALO DE EMPUJAR Y LAS LLAVES DE AJUSTE

Le permite almacenar el palo de empujar y las llaves de ajuste para el eje portaherramienta (2).

18. MANGO DE TRANSPORTE CON UNA MANO

Posición optimizada para transportar la herramienta en un lado cuando una mano.

19. ÁREA DE ALMACENAMIENTO DEL SISTEMA DE PROTECTOR INTELIGENTE

Cuando no se está utilizando, el dispositivo protector de barrera principal se puede almacenar en el lado derecho de la sierra, debajo de la mesa. El dispositivo antirretroceso se almacena justo encima del conducto para polvo ubicado en la parte trasera de la herramienta.

20. ORIFICIO PARA POLVO / CONEXIÓN DE ASPIRACIÓN

Retirable para despejar pedazos de madera grandes atrapados en el interior. Haga siempre una comprobación para asegurarse de que el orificio para polvo esté sujeto de manera segura con sujetadores en la mesa de sierra antes de la utilización.

Conecte la manguera de aspiración de 2-1/4 pulgadas al orificio para polvo con el fin de lograr una remoción de aserrín conveniente. Hay un adaptador disponible para utilizarse con tamaños de manguera alternativos.

21. ÁREA DE ALMACENAMIENTO DEL DISPOSITIVO ANTIRRETROCESO

Almacena convenientemente el dispositivo antirretroceso cuando éste no se está utilizando.

22. AREA PARA GUARDAR EL CALIBRE DE INGLETES

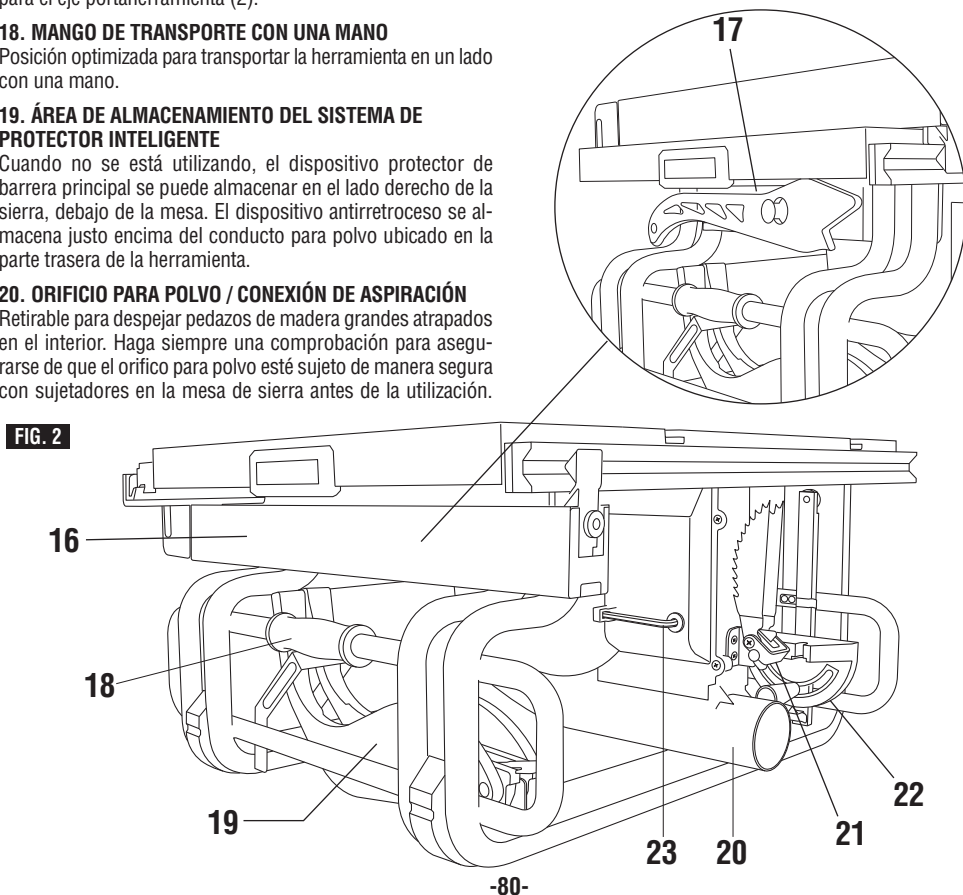
Guarda de manera práctica el calibre de ingletes cuando no se está utilizando.

23. LLAVE HEXAGONAL Y COMPARTIMIENTO DE ALMACENAMIENTO

Llave hexagonal para retirar el conducto para polvo inferior y ajustar diversas cabezas hexagonales en la sierra.

24. SOPORTE DE INSTALACIÓN DE LA BASE DE SOPORTE

Punto de sujeción de conexión rápida para la base de soporte con patas plegables para sierras de mesa.



Desempaquetado y comprobación del contenido

ADVERTENCIA Para evitar lesiones debidas al arranque inesperado o a sacudidas eléctricas, no enchufe el cordón de energía en una fuente de energía. Este cordón debe permanecer desenchufado cuando usted esté trabajando en la sierra de mesa.

La sierra de mesa modelo GTS1031 se envía completa en una caja de cartón.

Separe todas las piezas sueltas de los materiales de empaquetamiento y compruebe cada una utilizando la ilustración y la lista de piezas sueltas para asegurarse de que no falta ningún artículo antes de tirar cualquier material de empaquetamiento (Fig. 3).

ADVERTENCIA Si falta alguna pieza, no intente ensamblar la sierra de mesa, enchufar el cordón de energía ni encender el interruptor (posición "ON") hasta que las piezas que faltan hayan sido obtenidas e instaladas correctamente.

TABLA DE PIEZAS SUeltas

ARTICULO	DESCRIPCION	CANT.
1	Ensamblaje de la sierra de mesa	1
2	Tope-guía para cortar al hilo	1
3	Accesorio de insercion de la mesa	1
4	Protector de la hoja	1
5	Dispositivo antirretroceso	1
6	Calibre de ingletes	1
7	Palo de empujar	1

NOTA: Corte el amarre del cable **8** (que es sólo para propósitos de envío) ubicado entre la base de la sierra y la parte de debajo del carro (Fig. 4). Es posible que usted cause daños al sistema de elevación de la hoja si intenta subir la hoja sin haber retirado el amarre del cable.

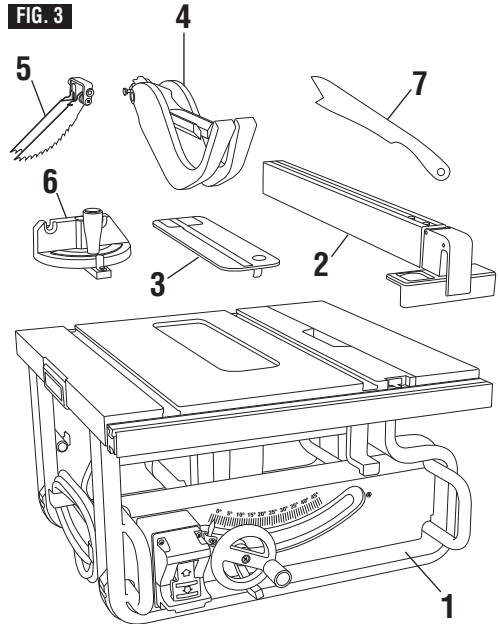
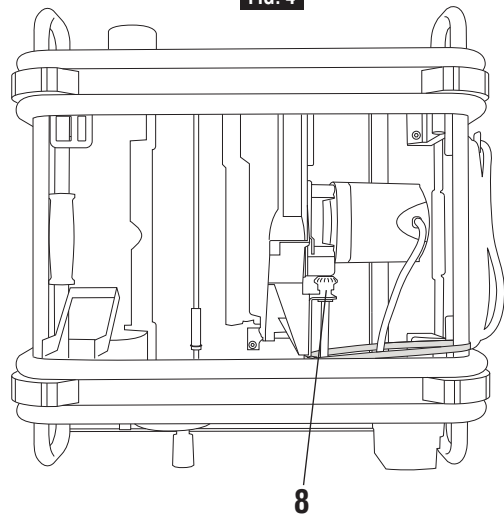


FIG. 4



Ensamblaje

INSTALACIÓN DEL SISTEMA DE PROTECTOR INTELIGENTE SMART GUARD

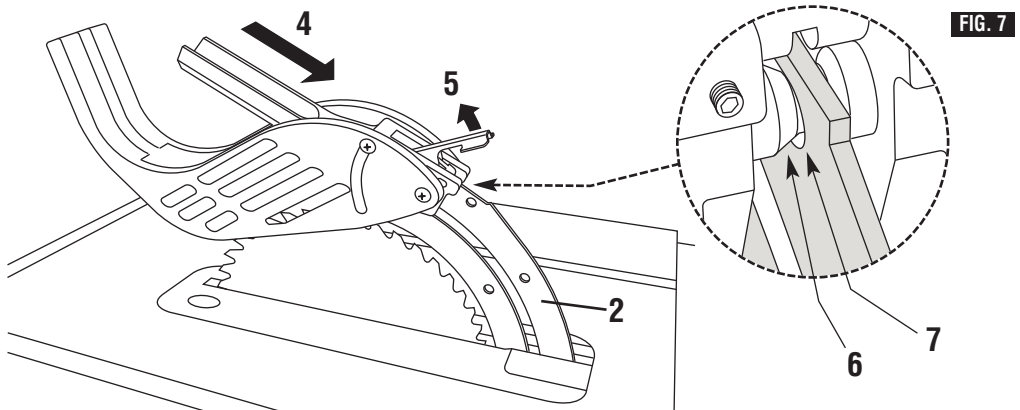
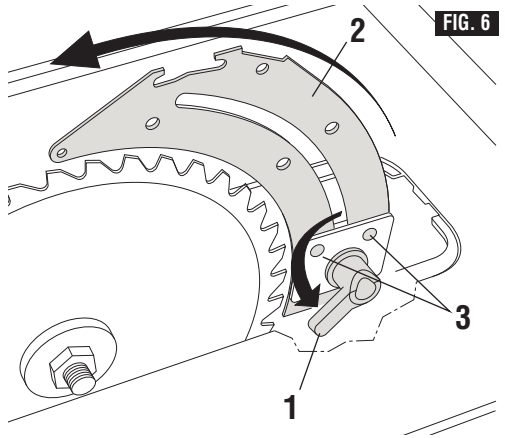
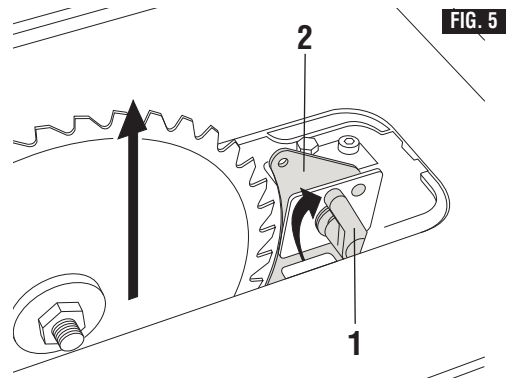
Para evitar lesiones corporales, desconecte siempre el enchufe de la fuente de energía antes de instalar o retirar el sistema de protector inteligente Smart Guard.

POSICIONAMIENTO DE LA CUCHILLA SEPARADORA

1. Retire el accesorio de inserción de la mesa utilizando el agujero para el dedo.
2. Suba la hoja tanto como se pueda y ajústela perpendicular a la mesa (0° en la escala de bisel) (Fig. 5).
3. Gire la palanca de liberación de la cuchilla separadora **1** en el sentido de las agujas del reloj para que señale hacia arriba (Fig. 5).
4. Tire de la cuchilla separadora **2** hacia la palanca de liberación para desacoplarla de las espigas **3**.
5. Deslice la cuchilla separadora **2** hacia arriba hasta su posición más alta, de manera que esté directamente sobre el centro de la hoja (Fig. 6).
6. Alinee los agujeros de la cuchilla separadora con las espigas **3** y bloquee la palanca de liberación **1** girándola en sentido contrario al de las agujas del reloj. Empuje la cuchilla separadora y tire de ella para verificar que está bloqueada en la posición correcta (Fig. 6).
7. Coloque de nuevo el accesorio de inserción de la mesa (Fig. 7).

INSTALACIÓN DEL ENSAMBLAJE DEL PROTECTOR

8. Con una mano, sujete la parte delantera del ensamblaje del protector de barrera **4** por la "horquilla" metálica. Con la otra mano, sujete la palanca de liberación del protector **5** hacia arriba (Fig. 7).
9. Baje la parte trasera del ensamblaje del protector y deslice la barra transversal **6** al interior de la muesca trasera **7** ubicada en la parte de arriba de la cuchilla separadora **2** (Fig. 7).



10. Baje la parte delantera del ensamble del protector **4** hasta que la "horquilla" metálica esté paralela a la mesa (Fig. 8).
11. Presione hacia abajo sobre la palanca de liberación del protector **5** hasta que note y oiga que se acopla a presión en la posición de fijación. Asegúrese de que el ensamble del protector esté conectado de manera segura (Fig. 8).

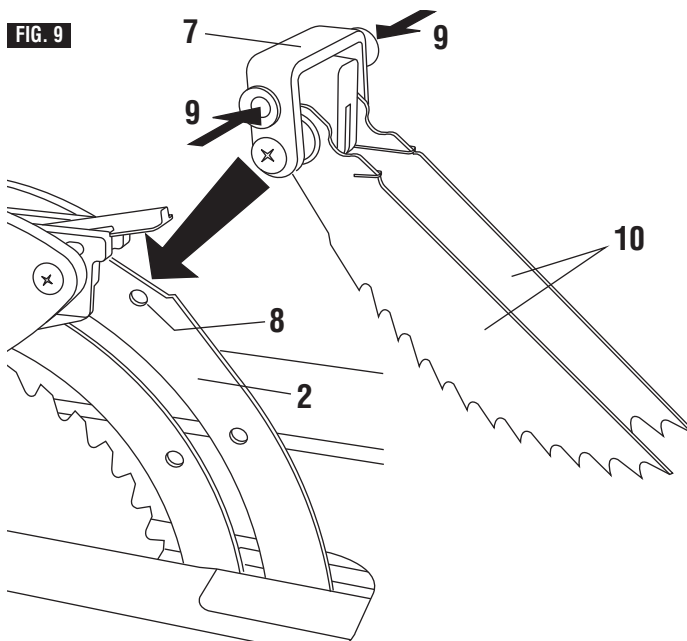
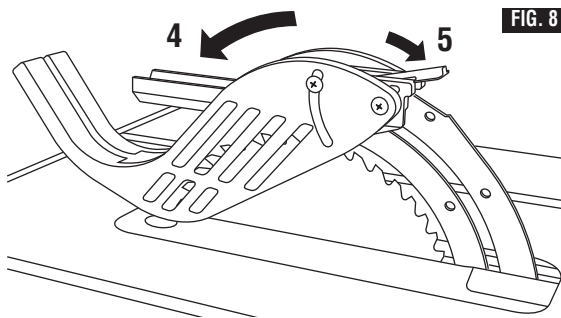
INSTALACIÓN DEL DISPOSITIVO ANTIRRETROCESO

12. Instale el dispositivo antirretroceso **7** en el área rebajada plana **8** de la cuchilla separadora **2** (Fig. 9).
13. Oprima las almohadillas de compresión **9** mientras acomoda el dispositivo en el área plana (Fig. 9).

14. Suelte las almohadillas de compresión para que el dispositivo antirretroceso se bloquee sobre la cuchilla separadora inmediatamente detrás del ensamble del protector. Asegúrese de que la espiga de sujeción esté conectada de manera segura en el agujero de fijación. Suba y baje cuidadosamente los trinquetes **10**. Cuando los suelte, los trinquetes accionados por resorte deben bajar y entrar en contacto con el accesorio de inserción de la mesa (Fig. 9).

Consejo: Posicione el dispositivo antirretroceso detrás del área rebajada plana y deslícelo hacia la parte delantera hasta que caiga en el área rebajada. Luego, suelte las espigas de compresión.

Nota: Las dos instalaciones son independientes una de la otra, por lo que el dispositivo antirretroceso se puede instalar antes que el ensamble del protector.



REMOCIÓN E INSTALACIÓN DE LA HOJA

ADVERTENCIA Desconecte el enchufe de la fuente de alimentación antes de realizar cualquier ensamblaje, ajuste o reparación, para evitar posibles lesiones.

UTILIZACIÓN DE LA HOJA CORRECTA

IMPORTANTE: La hoja de sierra suministrada en esta herramienta tiene una anchura de sección de corte de 0.102 pulgadas en las puntas de carburo y un grosor de placa (cuerpo) de 0.071 pulgadas. Cuando busque una hoja de repuesto, seleccione una que tenga dimensiones próximas a las de la hoja original. Es posible que esta información no esté impresa en el paquete de la hoja. Si no lo está, consulte el catálogo o el sitio Web del fabricante. Skil ofrece una extensa línea de hojas de sierra profesionales de alta calidad que cumplen con los requisitos de esta herramienta. Usted debe seleccionar una hoja con una anchura de sección de corte de 0,092 pulgadas o más y un grosor de placa (cuerpo) de 0.088 pulgadas o menos (Fig. 10).

ADVERTENCIA Para reducir el riesgo de lesiones, no utilice hojas de sierra con sección de corte extradelgada. La sección de corte de la hoja debe ser más ancha que 0.092 pulgadas. Las hojas de sierra con sección de corte extradelgada (menos de 0.092 pulgadas) pueden hacer que la pieza de trabajo se atore contra la cuchilla separadora durante la realización del corte. Se recomienda que la sección de corte de la hoja de repuesto utilizada en esta sierra sea de 0.092 pulgadas o más.

ADVERTENCIA Para reducir el riesgo de lesiones, no use hojas de sierra hechas con una placa de cuerpo gruesa. Si el grosor de la placa de la hoja de sierra de repuesto es mayor de 0.088 pulgadas, la cuchilla separadora no serviría adecuadamente como un auxiliar para reducir el retroceso. El grosor de la placa de la hoja de repuesto debe ser menos de 0.088 pulgadas.

ADVERTENCIA Para reducir el riesgo de lesiones, no use "amortiguadores," "estabilizadores" o "collarines rigidizadores" de la hoja a ambos lados de una hoja de repuesto. Estos dispositivos son placas metálicas que se posicionan contra los lados de la hoja para reducir la desviación que puede ocurrir cuando se utilizan hojas de sierra delgadas. La utilización de estos dispositivos a ambos lados evitará que la hoja se alinee apropiadamente con la cuchilla separadora, lo cual puede atorar la pieza de trabajo durante la realización del corte. Se puede colocar una placa "estabilizadora" solamente contra el lado exterior de una hoja de repuesto delgada. Estas placas no se requieren con la hoja Skil suministrada.

FIG. 10

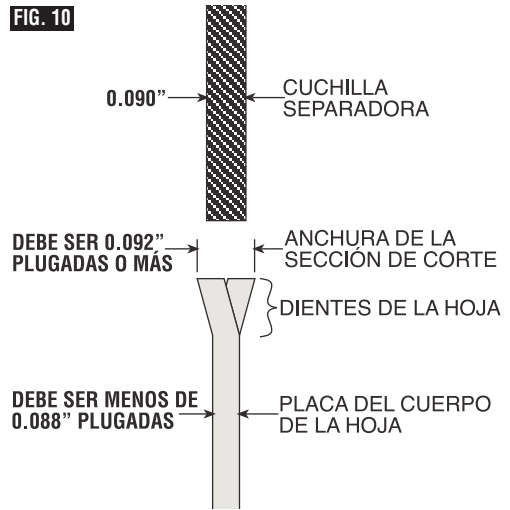
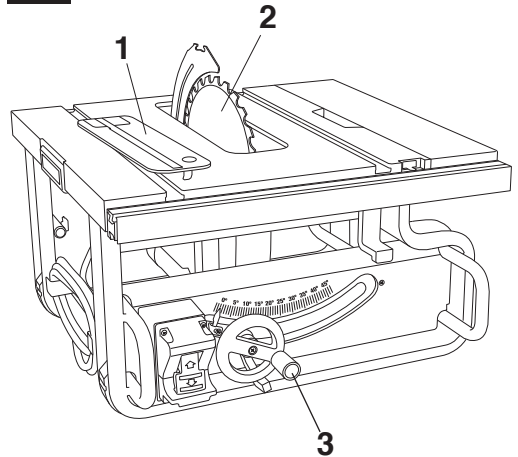


FIG. 11



CAMBIO DE LA HOJA

NOTA: Antes de instalar la hoja, límpiela para quitar todo exceso de aceite.

1. Retire el accesorio de inserción de la mesa **1** (Fig. 11).
2. Suba la hoja **2** hasta la altura máxima girando la rueda de control **3** en sentido contrario al de las agujas del reloj (Fig. 11).
3. Retire la tuerca del eje portaherramienta **4** y la pestaña **5** (Fig. 12).
4. Para afloje la tuerca del eje portaherramienta **4**, use la llave de boca **7** y alinee las mandíbulas de dicha llave sobre las superficies planas de la pestaña, para evitar que el eje portaherramienta gire. Coloque la llave de cubo **8** sobre la tuerca del eje portaherramienta **4** y gírela en el sentido contrario al de las agujas del reloj (hacia la parte delantera de la sierra) (Fig. 13).
5. Quite todo el aserrín de ambos collarines de la hoja antes de instalar la hoja. Instale una hoja de 10 pulgadas (25.4 cm). Instale la hoja de sierra en el eje portaherramienta con los dientes de la hoja orientados hacia la parte delantera de la sierra.

Para evitar lesiones, no utilice una hoja cuyo diámetro sea superior o inferior a 10 pulgadas, ni que sea para un eje portaherramienta superior o inferior a 5/8 de pulgada.

6. Instale la pestaña **5** contra la hoja **2** y enrosque la tuerca del eje portaherramienta **4** tanto como sea posible con la mano. Asegúrese de que la hoja esté al ras contra la pestaña interior de la hoja **6** (Fig. 12).
7. Para apretar la tuerca del eje portaherramienta **4**, use la llave de boca **7** y alinee las mandíbulas de dicha llave sobre las superficies planas de la pestaña, para evitar que el eje portaherramienta gire. Coloque la llave de cubo **8** sobre la tuerca del eje portaherramienta **4** y gírela en el sentido de las agujas del reloj (hacia la parte trasera de la sierra mesa) (Fig. 13).
8. Instale el accesorio de inserción de la mesa **1** en el entrante de la mesa. (Figura 11).

Para evitar lesiones por causa de una pieza de trabajo que salga despedida o una parte de la hoja que sea lanzada, o debido a contacto con la hoja, no utilice nunca la sierra sin tener el accesorio de inserción apropiado colocado en su sitio. Utilice el inserto de inserción de la mesa cuando aserre. Use el accesorio de inserción de mortajar cuando utilice una hoja de mortajar.

UTILIZACIÓN DE HOJAS CON PUNTA DE CARBURO

Maneje con cuidado las hojas con puntas de carburo. El carburo es muy frágil y se puede dañar fácilmente. Tenga precaución cuando instale, utilice o almacene las hojas. No utilice una hoja con puntas de carburo que esté doblada o

tenga dientes doblados, o si la hoja tiene grietas, está rota, le faltan puntas de carburo o tiene puntas de carburo flojas. No utilice una hoja con puntas de carburo a una velocidad mayor que la recomendada para dicha hoja.

Lea, entienda y siga todas las advertencias e instrucciones suministradas con las hojas con puntas de carburo.

FIG. 12

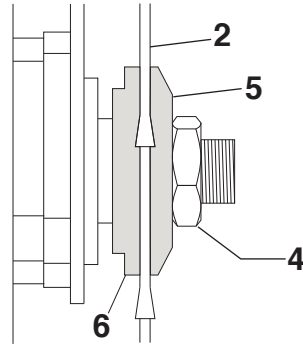
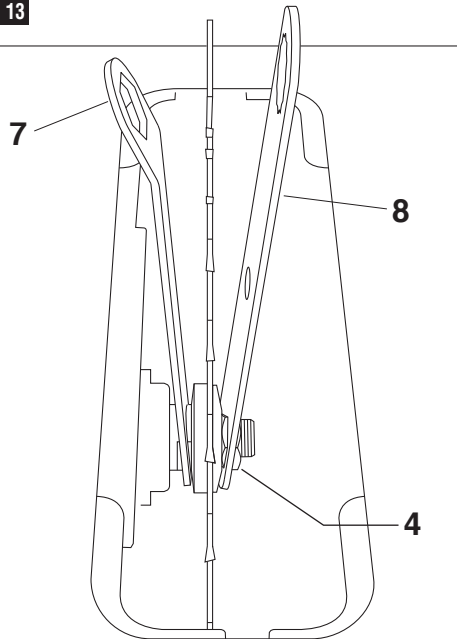


FIG. 13



INSTALACIÓN DEL TOPE-GUÍA PARA CORTAR AL HILO PARA UTILIZACIÓN Y ALMACENAMIENTO

1. Suba el mango del tope-guía para cortar al hilo **1** tal como se muestra en la ilustración (Fig. 14), de manera que la abrazadera de sujeción **2** quede lo suficientemente hacia afuera como para acoplarse sobre la mesa **3** y en la ranura en "V" ubicada en la parte posterior del riel trasero.
2. Posicione el tope-guía para cortar al hilo **4** sobre la mesa **3** sujetando hacia arriba el extremo delantero, acople primero la abrazadera de sujeción **2** con el riel trasero
3. Luego baje el extremo delantero hasta el riel delantero **5**.
4. Baje el mango del tope-guía para cortar al hilo para bloquearlo.

Nota: Para almacenar el tope-guía para cortar al hilo, siga el mismo procedimiento descrito anteriormente para debajo de la mesa (Fig. 15).

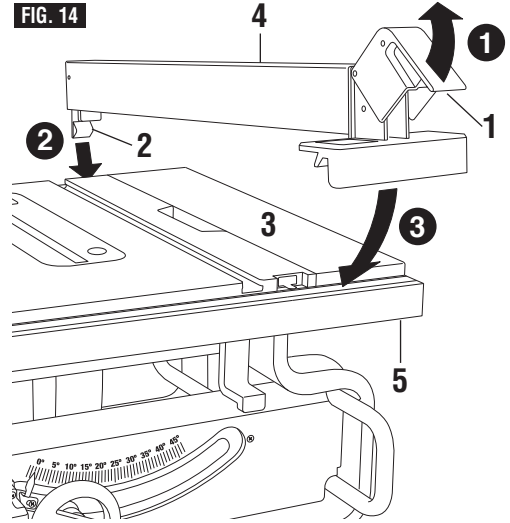
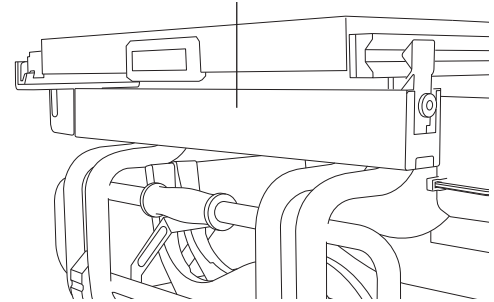


FIG. 15 ÁREA DE ALMACENAMIENTO DEL TOPE-GUÍA PARA CORTAR AL HILO



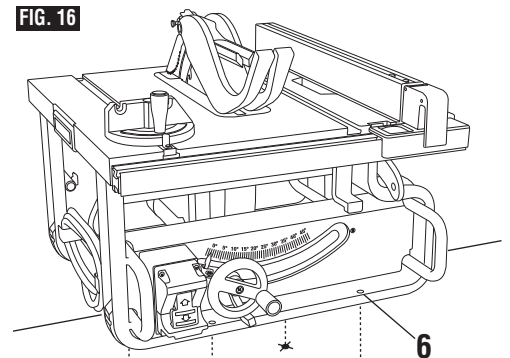
MONTAJE DE LA SIERRA DE MESA

Si la sierra de mesa se va a utilizar en un lugar permanente, se debe sujetar firmemente a una superficie de soporte firme tal como una base o un banco de trabajo utilizando los cuatro agujeros de montaje **6**, dos de los cuales se muestran (Fig. 16).

1. Si va a montar la sierra de mesa en un banco de trabajo, la base se debe empernar firmemente utilizando pernos hexagonales de 1/4" (no incluidos) a través de los agujeros de montaje **6** provistos.

Consejo: Si el banco de trabajo mide 3/4" de grosor, los pernos tendrán que medir al menos 3-1/2" de longitud. Si el banco de trabajo mide 1-1/2" de grosor, los pernos deberán medir al menos 4-1/2" de longitud.

2. Localice y marque la ubicación en la que se va a montar la sierra, relativa a los agujeros de la base de la herramienta.
3. Taladre cuatro (4) agujeros de 3/8" de diámetro que atraviesen el banco de trabajo.
4. Coloque la sierra de mesa sobre el banco de trabajo, alineando los agujeros de la base con los agujeros taladrados en el banco de trabajo.
5. Inserte cuatro (4) pernos de 1/4" de diámetro a través de los agujeros de la base y la superficie de soporte; luego, sujételos firmemente con (4) arandelas planas de 1/4" y (4) tuercas hexagonales de 1/4".



PERNO HEXAGONAL DE 1/4 DE PULGADA, ARANDELA Y TUERCA HEXAGONAL X4

Ajustes

AJUSTE DE LOS TOPES POSITIVOS DE 90 Y 45 GRADOS

La sierra está equipada con topes positivos para posicionar rápidamente y con precisión la hoja de sierra a 90 y 45 grados respecto a la mesa.

⚠ ADVERTENCIA Para evitar lesiones personales, desconecte siempre el enchufe de la fuente de energía al realizar ajustes.

1. Gire la rueda de elevación **2** en el sentido de las agujas del reloj y suba la hoja hasta la altura máxima (Fig. 17).

AJUSTE DEL TOPE POSITIVO DE 0 GRADOS:

2. Afloje el mango de fijación de la inclinación de la hoja **1**, empuje la rueda de elevación **2** hacia la izquierda tanto como sea posible y apriete el mango de fijación de la inclinación de la hoja **1** (Fig. 17).

3. Coloque una escuadra de combinación sobre la mesa con un extremo de la escuadra contra la hoja, de la manera que se muestra en la ilustración (Fig. 18), y compruebe si la hoja está a 90 grados respecto a la mesa. Si la hoja no está a 90 grados respecto a la mesa, afloje el mango de fijación de la inclinación de la hoja **1**, afloje el tornillo de ajuste de 90 grados **4**, afloje la leva del tope de bisel de 90 grados **5** y empuje la rueda de elevación hasta que la hoja esté a 90 grados respecto a la mesa.

4. Apriete el mango de fijación de la inclinación de la hoja **1**, gire la leva del tope de bisel **5** hasta que toque la carcasa del tope de bisel **7** y luego apriete el tornillo de ajuste de 90 grados **4**.

5. Afloje el tornillo de ajuste **6** y ajuste el indicador **3** para que señale 0 grados en la escala de bisel.

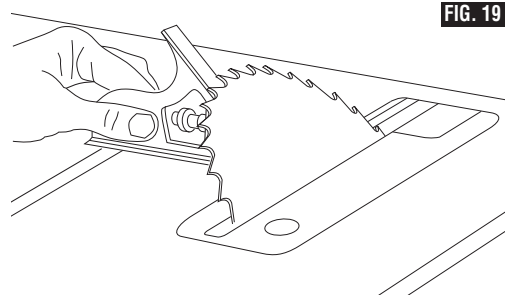
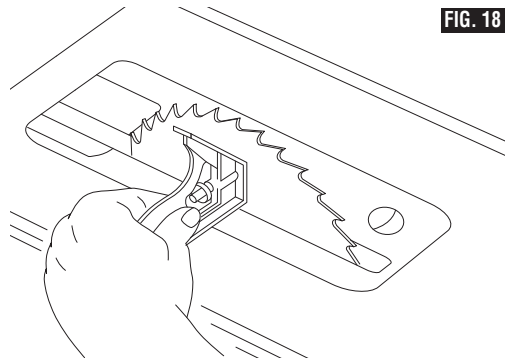
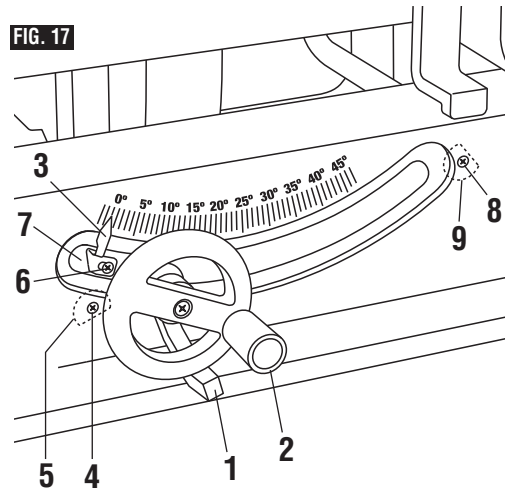
AJUSTE DEL TOPE POSITIVO DE 45 GRADOS:

6. Afloje el mango de fijación de la inclinación de la hoja **1**, empuje la rueda de elevación **2** hacia la derecha tanto como sea posible y apriete el mango de fijación de la inclinación de la hoja **1**.

7. Coloque una escuadra de combinación sobre la mesa con un extremo de la escuadra contra la hoja, de la manera que se muestra en la ilustración (Fig. 19) y compruebe si la hoja está a 45 grados respecto a la mesa. Si la hoja no está a 45 grados respecto a la mesa, afloje el mango de fijación de la inclinación de la hoja **1**, afloje el tornillo de ajuste de 45 grados **8**, afloje la leva del tope de bisel de 45 grados **9** y empuje la rueda de elevación hasta que la hoja esté a 45 grados respecto a la mesa.

8. Apriete el mango de fijación de la inclinación de la hoja **1**, gire la leva del tope de bisel de 45 grados **9** hasta que toque la carcasa del tope de bisel **7** y luego apriete el tornillo de ajuste de 45 grados **8**.

Nota: La GTS1031 es capaz de realizar un bisel de hasta 47 grados a la izquierda y -2 grados a la derecha. Para alcanzar estos puntos, siga el procedimiento que antecede y reajuste los topes según sea necesario.



AJUSTE DE LA HOJA PARALELA A LAS RANURAS DEL CALIBRE DE INGLETES

La hoja se ajustó en fábrica paralela a las ranuras del calibre de ingletes. Para asegurarse de que se realizan cortes precisos y para ayudar a evitar el retroceso, este ajuste se debe volver a comprobar. Si se necesita realizar un ajuste, siga los pasos que se indican a continuación.

⚠ ADVERTENCIA Para evitar lesiones personales, desconecte siempre el enchufe de la fuente de energía antes de realizar cualquier ajuste.

1. Gire la rueda de elevación y suba la hoja tan alto como se pueda.
2. Seleccione un diente en la parte posterior de la hoja de sierra que se encuentre triscado hacia la izquierda según se mira a la hoja desde la parte delantera de la sierra y marque **1** este diente con un lápiz (Fig. 20).
3. Coloque la base de una escuadra de combinación contra el borde de la ranura del calibre de ingletes y extienda la regla corrediza de la escuadra de manera que apenas toque el diente marcado.
4. Gire la hoja y compruebe el mismo diente marcado de la hoja en la parte delantera de la mesa de sierra (Fig. 20).
5. Si las medidas delantera y trasera, que se muestran en la Figura 20, no son idénticas, afloje los cuatro pernos de alineación **2**, ubicados en el lado inferior de la mesa, en la parte delantera y trasera de la sierra, con la llave hexagonal suministrada con la sierra (Fig. 21 y 22). Mueva cuidadosamente la hoja de sierra hasta que esté paralela a la ranura del calibre de ingletes y apriete firmemente los cuatro pernos.

FIG. 20

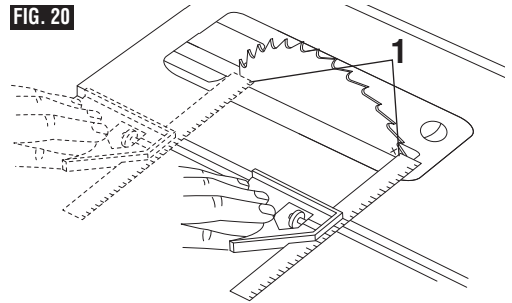


FIG. 21

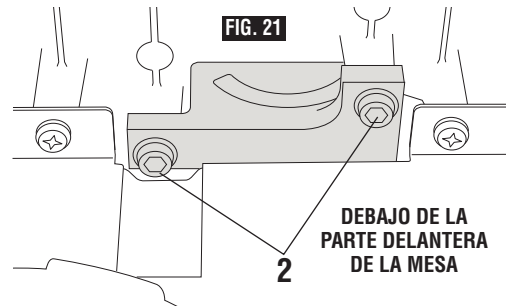
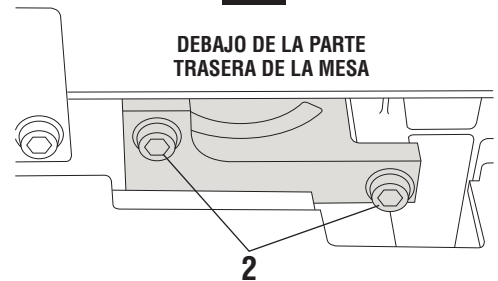


FIG. 22



ALINEACIÓN DEL TOPE-GUÍA PARA CORTAR AL HILO

Para evitar lesiones personales, desconecte siempre el enchufe de la fuente de energía antes de realizar cualquier ajuste. El tope-guía para cortar al hilo debe estar paralelo a la HOJA DE SIERRA para evitar el RETROCESO al cortar al hilo.

La sierra de mesa está equipada con un tope-guía para cortar al hilo de alineación automática y colocación rápida Square-lock™. Una vez que se han realizado los ajustes que se describen a continuación, el tope-guía para cortar al hilo se autoalineará cuando el tope-guía se encuentre fijo en su posición.

NOTA: La hoja debe estar paralela a las ranuras del calibre de ingleses y perpendicular a la mesa (consulte la página 88) antes de proceder a realizar la alineación del tope-guía para cortar al hilo.

Para evitar lesiones personales, asegúrese siempre de que el tope-guía para cortar al hilo esté fijo antes de utilizarlo cuando vaya a hacer cortes al hilo.

1. Levante ambas barreras del protector 2 hasta su posición bloqueada hacia arriba.
2. Suba el mango de fijación 1 y deslice el tope-guía 3 hasta que esté junto a la hoja de sierra, levantando el trinquete del lado derecho 4 por encima del tope-guía (Fig. 23).

El tope-guía debe tocar los dientes de la hoja en la parte delantera y en la parte trasera de la hoja. Si el tope-guía no toca los dientes en la parte delantera y en la parte trasera de la hoja, continúe con los pasos siguientes:

3. Afloje los dos tornillos 5 que están en la sección delantera superior del tope-guía para cortar al hilo.
4. Mueva el tope-guía 3 hasta que toque los dientes y esté paralelo a la hoja.
5. Sujete el tope-guía en su sitio, baje el mango de fijación, asegúrese de que el tope-guía haya permanecido paralelo a la hoja y luego apriete los tornillos (Fig. 23).
6. Fije con abrazaderas el tope-guía para cortar al hilo con el fin de comprobar si se mantiene sujeto firmemente en las partes anterior y posterior. Si la parte anterior no está sujeta firmemente, suelte el tope-guía y gire el tornillo de ajuste de la abrazadera posterior 6 en el sentido de las agujas del reloj para aumentar la sujeción. Intente fijar el tope-guía para verificar si se alinea automáticamente y se fija firmemente en las partes anterior y posterior. El apretar demasiado el tornillo de ajuste de la abrazadera trasera 6 hará que el tope-guía para cortar al hilo no se alinee automáticamente (Fig. 23).

AJUSTE DEL INDICADOR DEL TOPE-GUÍA PARA CORTAR AL HILO

La distancia desde el cuerpo del tope-guía para cortar al hilo hasta la hoja cuando se corte al hilo en el lado derecho de la hoja se determina alineando el indicador 7 con la dimensión

deseada en la escala 8 (Fig. 24).

PARA AJUSTAR EL INDICADOR DEL TOPE-GUÍA PARA CORTAR AL HILO:

1. Suba ambos protectores de barrera 2 hasta su posición bloqueada hacia arriba (Fig. 23).
2. Suba el mango de fijación 1 y deslice el tope-guía 3 hasta que esté junto a la hoja de sierra, subiendo el trinquete del lado derecho 4 por encima del tope-guía (Fig. 23).
3. Afloje el tornillo de ajuste del indicador 9, ajuste el indicador 7 a la marca de "0" de la escala inferior 8 y luego reapriete el tornillo 9 (Fig. 24).

FIG. 23

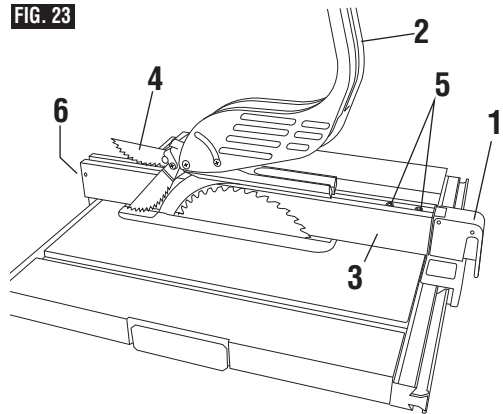
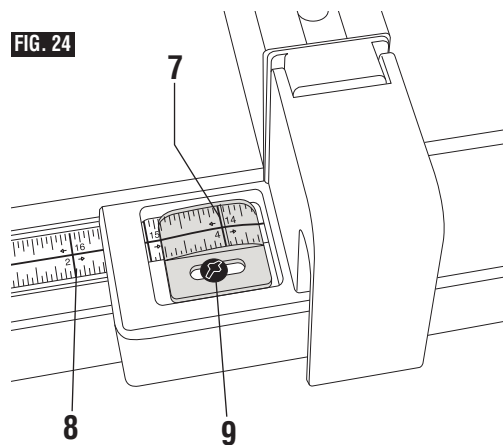


FIG. 24



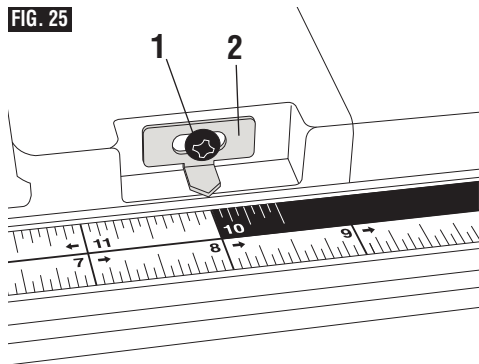
AJUSTE DEL INDICADOR DE LA MESA

Si es necesario hacer algún ajuste del indicador de la mesa, afloje el tornillo de ajuste del indicador 1, ajuste el indicador 2 y apriete el tornillo 1 (Fig. 25).

El indicador de la mesa debe estar ajustado siempre relativo al indicador del tope-guía.

1. Ajuste el indicador del tope-guía a cero.
2. Asegúrese de que la mesa esté en la posición cerrada y deslice el tope-guía hacia la derecha hasta que el indicador de dicho tope-guía esté a 10 pulgadas. (Nota: Una parte del tope-guía estará fuera del riel.)
3. Mire al indicador del tope-guía y fíjese en 10 pulgadas en la escala inferior.
4. Ajuste el indicador de la mesa 2 para que tenga la misma lectura en la escala superior que la que se muestra en el indicador del tope-guía. Ambos indicadores deben coincidir cuando el tope-guía esté en esta posición.

FIG. 25



ALINEACIÓN DE LA CUCHILLA SEPARADORA

IMPORTANTE: La cuchilla separadora 1 debe estar siempre en línea con la hoja de sierra 2. La cuchilla separadora 1 es más delgada que la anchura de la sección de corte 4 en aproximadamente cinco grosores de papel 5 a cada lado, dependiendo del grosor del papel que se utilice (Fig. 26).

Nota: La sección de corte es la anchura del corte hecho por los dientes de la hoja de sierra.

⚠ ADVERTENCIA Para evitar lesiones corporales, desconecte siempre el enchufe de la fuente de alimentación antes de hacer cualquier ajuste y cuando instale o retire el sistema de protector inteligente Smart Guard.

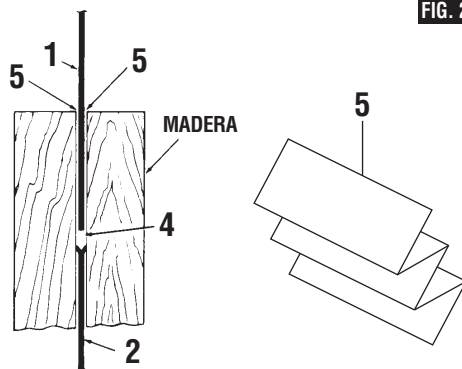
COMPROBACIÓN DE LA ALINEACIÓN DE LA CUCHILLA SEPARADORA

NOTA: La cuchilla separadora ha sido alineada apropiadamente en la fábrica. Compruebe la alineación antes de realizar cualquier ajuste.

1. Suba la hoja de la sierra hasta la altura máxima y ajuste el ángulo de bisel a 0°.

2. Retire el ensamblaje del protector de barrera y el dispositivo antirretroceso (consulte el manual).
3. Coloque el tope-guía para cortar al hilo 3 en el lado derecho y deslícelo hasta que toque las puntas de la hoja de la sierra.
 2. Bloquee el tope-guía.
4. Compruebe la alineación:
 - A. Desde la parte de arriba, mire hacia abajo sobre el tope-guía y asegúrese de que la cuchilla separadora esté en línea (de delante atrás) con la hoja y paralela al tope-guía.
 - B. Deslice el tope-guía alejándolo de la hoja. Mire sobre la parte delantera de la hoja y compruebe que la cuchilla separadora esté en línea con la hoja.

FIG. 26



VISTA HACIA ABAJO SOBRE LA SIERRA

- C. Si los pasos A o B muestran desalineación, vaya a "Ajuste de la cuchilla separadora".

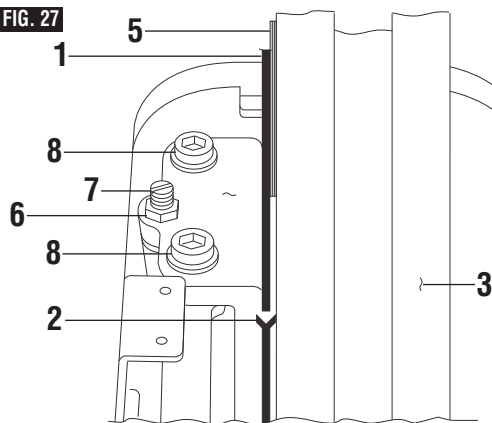
AJUSTE DE LA CUCHILLA SEPARADORA

1. Suba la hoja de la sierra 2 hasta la altura máxima y ajuste el ángulo de bisel a 0°.
2. Retire el ensamblaje del protector de barrera y el dispositivo antirretroceso (consulte el manual).
3. Retire el inserto de la mesa.
4. Coloque el tope-guía para cortar al hilo 3 en el lado derecho y deslícelo hasta que toque las puntas de la hoja de sierra.
 2. Bloquee el tope-guía.
5. Afloje la tuerca hexagonal 6 con la llave de boca abierta de 10 mm (Fig. 27). Afloje ligeramente los tornillos de sujeción 8 (de 1/4 de vuelta a 1/2 vuelta) utilizando una llave Allen de 5 mm suministrada con la sierra de mesa (almacenada en la parte trasera de la sierra). Afloje el tornillo de ajuste 7 utilizando un destornillador plano (Fig. 27).
6. Haga cuatro pliegues en un pedazo de papel pequeño (6 x 6 pulgadas), formando cinco capas (Fig. 26). El papel 5 se utiliza como "calibre de separación".

NOTA: Las instrucciones de separación se basan en utilizar la hoja de sección de corte estándar suministrada con la GTS1031. Si se utiliza una hoja con una sección de corte más pequeña o más grande, ajuste el separador. Por ejemplo, si la sección de corte de la hoja de repuesto es más grande, utilice seis o más grosores de papel, y si es más pequeña, utilice cuatro o menos grosores. Dependiendo del tipo de papel utilizado como separador, es posible que usted tenga que modificar el número de pliegues para lograr una alineación correcta.

7. Inserte el papel doblado **5** entre la cuchilla separadora **1** y el tope-guía **3**.

FIG. 27



- D. Gire lentamente el tornillo de ajuste **7** mientras observa como la cuchilla separadora se inclina hasta que esté en línea con la hoja.
- E. Compruebe de nuevo si la cuchilla separadora está en ángulo recto con la mesa, deslizando el tope-guía contra la hoja. Si es necesario, reajuste la cuchilla.
8. Después de completar los ajustes:

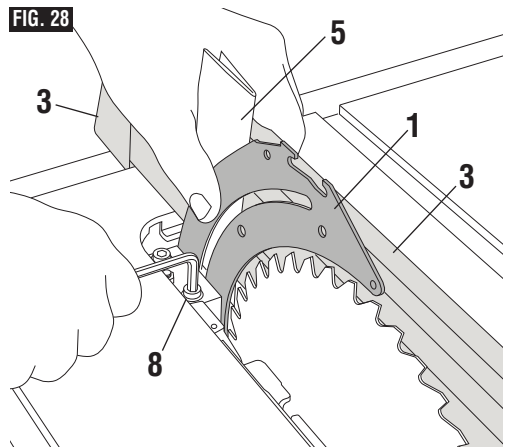
- A. Apriete ligeramente la tuerca hexagonal **6** (mantenga la posición del tornillo de ajuste con el destornillador mientras aprieta la tuerca).
- B. Apriete completamente los tornillos de sujeción **8** con la llave Allen. Luego, apriete completamente la tuerca hexagonal.

NOTA: Asegúrese de que la cuchilla separadora permanezca en línea con la hoja cuando ésta se encuentre inclinada a cualquier ángulo. Reemplace el ensamblaje del protector de barrera y el dispositivo antirretroceso antes de realizar cortes.

AJUSTE DEL ACCESORIO DE INSERCIÓN DE LA MESA

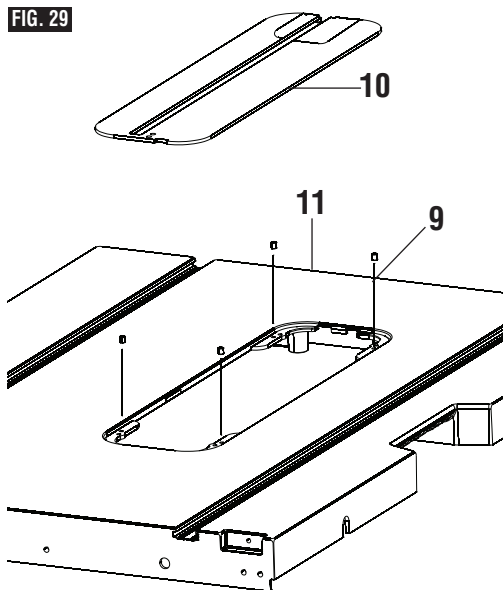
La ranura para el accesorio de inserción de la mesa GTS1031 incluye cuatro (4) tornillos de ajuste **9** para graduar la altura (Fig. 29). Coloque el accesorio de inserción **10** sobre la mesa **11**. Coloque un borde recto (como por ejemplo una regla metálica de una escuadra de combinación) a través del tablero de la mesa y la parte de arriba del accesorio de inserción; las superficies deberían estar al mismo nivel. Si es necesario realizar un ajuste, utilice la "llave en "L" de 2 mm incluida (empacada con el accesorio de inserción de la mesa) para rotar cada tornillo hacia arriba o hacia abajo.

FIG. 28



- A. Sujete la cuchilla separadora y el papel firmemente contra el tope-guía (Fig. 27 y 28).
- B. Apriete ligeramente los tornillos de sujeción **8**.
- C. Retire el papel. Deslice el tope-guía alejándolo de la hoja.

FIG. 29



Funcionamiento básico de la sierra de mesa

INTERRUPTOR DE ENCENDIDO DE SEGURIDAD

NOTA: Esta sierra de mesa tiene un dispositivo de seguridad que ayuda a evitar el arranque accidental.

Para encender la sierra, suba la palanca del interruptor pellizcando las paredes laterales y tirando hacia arriba. Esta acción arranca la sierra (Fig. 30).

Para apagar la sierra, empuje la palanca del interruptor hacia abajo hasta su posición original (Fig. 31).

El interruptor puede acomodar un candado con una barra larga de 3/16" de diámetro (no suministrado con la sierra de mesa) para evitar el uso no autorizado (Fig. 31).

SISTEMA DE PROTECTOR INTELIGENTE SMART GUARD

El sistema de protector inteligente Smart Guard de Bosch ha sido diseñado para brindar modularidad, lo cual permite usar múltiples combinaciones de los tres componentes principales: Los protectores de barrera principales, el dispositivo antirretroceso y la cuchilla separadora. Además, la cuchilla separadora se puede ajustar rápidamente a tres posiciones (alta, intermedia y almacenada), dependiendo del requisito de la aplicación.

PIEZAS COMPONENTES (FIGURA 32):

1 Cuchilla separadora

La cuchilla separadora es el elemento central del sistema de protección de la hoja Smart Guard de Bosch y sirve como punto de sujeción tanto para el protector de barrera principal como para el dispositivo antirretroceso. En caso de que el protector de barrera principal y el dispositivo antirretroceso se hayan quitado, la cuchilla separadora mantiene su funcionalidad como separadora de material y es ajustable en tres posiciones. Debido a esta ajustabilidad, la cuchilla separadora se puede posicionar apropiadamente para todas las aplicaciones de corte.

2 Protector de barrera principal

El protector principal comprende un par de barreras de plástico sujetas al protector de barrera superior de metal. Las barreras laterales (una a la izquierda y una a la derecha de la hoja) funcionan independientemente una de otra, manteniendo la máxima cobertura de la hoja durante las operaciones de corte. El protector principal incorpora un punto de sujeción de conexión rápida y se puede instalar en el sistema de protección de la hoja o se puede desinstalar del mismo independientemente del dispositivo antirretroceso y la cuchilla separadora.

Nota: Para sujetar al máximo el protector principal con el fin de reubicar la unidad, ajuste la hoja a su posición más baja. Esto mantiene el protector firmemente ajustado contra la superficie de la mesa y evita los daños relacionados con el balanceo del protector durante la reubicación. Si transporta la unidad una distancia más larga tanto en el trabajo como fuera de éste, coloque el protector en su posición de almacenamiento debajo de la mesa (vea la figura 33 en la página 93).

FIG. 30

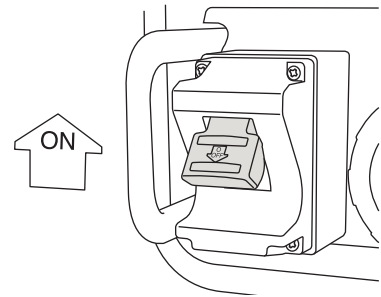


FIG. 31

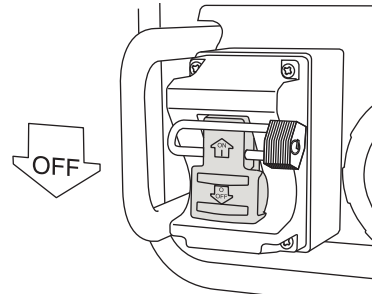
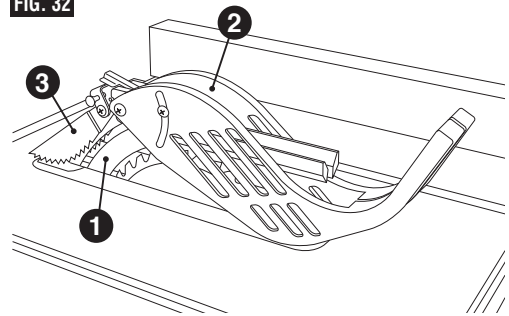


FIG. 32



3 Dispositivo antirretroceso

En caso de retroceso, el dispositivo antirretroceso (que se conoce también como retenedores o trinquetes) está diseñado para ayudar a evitar que la tabla sea lanzada en dirección al usuario. Los dientes afilados de los trinquetes están diseñados para "atrapar" el material en caso de retroceso.

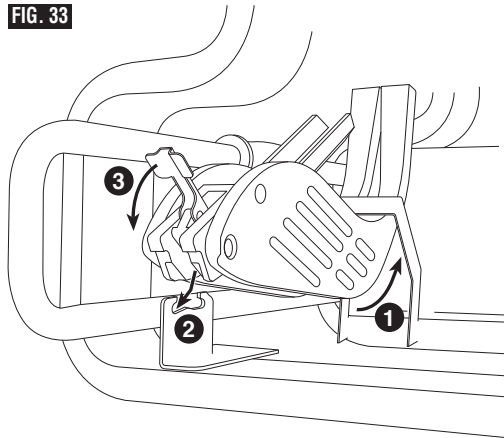
INSTALACIÓN/DESINSTALACIÓN

(consulte la página 82 & 83 para obtener instrucciones detalladas)

Los tres componentes principales del sistema de protección de la hoja Smart Guard están diseñados para instalarse, ajustarse y/o retirarse rápidamente sin necesidad de herramientas adicionales.

El componente que consiste en el protector de barrera principal se puede instalar y desinstalar rápidamente mediante el uso de una palanca de liberación rápida. El protector se instala asentando la barra transversal en la parte de arriba de la cuchilla separadora y acoplando la palanca de fijación. Siguiendo este proceso a la inversa, el protector se puede retirar fácilmente para realizar operaciones especiales, tales como cortar mortajas o rebajos.

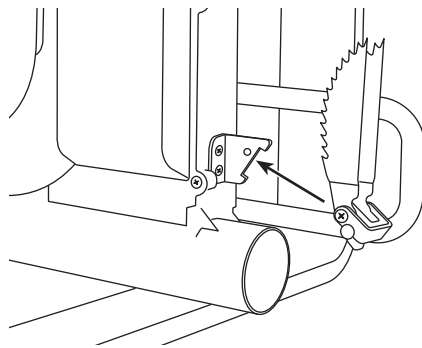
FIG. 33



El dispositivo antirretroceso se puede instalar fácilmente alineando la espiga de sujeción con el agujero ubicado en la parte de atrás de la cuchilla separadora. Dicho dispositivo se puede quitar fácilmente oprimiendo las almohadillas de compresión ubicadas a ambos lados del dispositivo antirretroceso y levantando el dispositivo.

La cuchilla separadora se puede ajustar fácilmente en una de tres alturas retirando el accesorio de inserción de la mesa, subiendo la hoja hasta su altura máxima y soltando la palanca de liberación de la cuchilla separadora ubicada en la base de dicha cuchilla. La cuchilla separadora se debe bloquear en su posición más alta para utilizarla con el protector de barrera principal y el dispositivo antirretroceso. Se puede ajustar hasta su posición intermedia para realizar cortes no pasantes y para utilizarse como separadora de material sin el protector de barrera principal y sin el dispositivo antirretroceso.

FIG. 34



En caso de que la cuchilla separadora no se pueda utilizar para realizar un corte específico, se puede ajustar en su posición más baja, con lo que quedará colocada 1 pulgada por encima de la superficie de la mesa (mientras la hoja está a su altura máxima).

ALMACENAMIENTO DEL SISTEMA

Cuando no se estén utilizando, el protector de barrera principal y el dispositivo antirretroceso se pueden almacenar debajo de la extensión de la mesa del lado derecho.

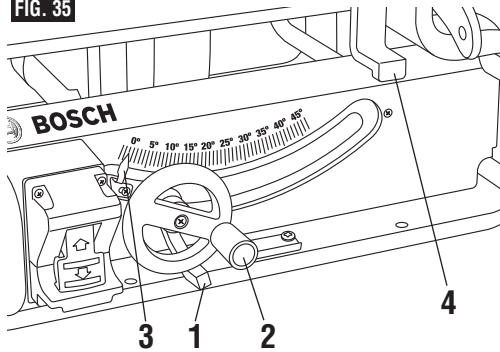
ADVERTENCIA Se recomienda enfáticamente utilizar todos los componentes del sistema Smart Guard, incluyendo el protector de barrera principal, el dispositivo antirretroceso y la cuchilla separadora, para proporcionar protección contra accidentes y lesiones.

1. Deslice la parte delantera del ensamblaje del protector de barrera principal hacia arriba y hacia el interior del soporte en U ubicado en el lado delantero derecho de la sierra (Fig. 33).
2. Pivote la parte trasera del protector hacia abajo y sobre el soporte de montaje.
3. Bloquee el ensamblaje del protector de barrera principal en esa posición de la misma manera en que lo sujetaría a la cuchilla separadora (Fig. 34).
4. Localice la ubicación de almacenamiento del dispositivo antirretroceso justo encima del conducto para polvo ubicado en la parte trasera de la herramienta. Sujete el dispositivo antirretroceso al soporte colgante de la misma manera en que se sujeta a la cuchilla separadora.

CONTROL DE INCLINACIÓN DE LA HOJA

Afloje el mango de fijación de la inclinación de la hoja **1** en sentido contrario al de las agujas del reloj (Fig. 35), deslice la rueda de elevación **2** hasta que el indicador **3** esté en el ángulo deseado y apriete el mango de fijación de la inclinación de la hoja **1** en el sentido de las agujas del reloj.

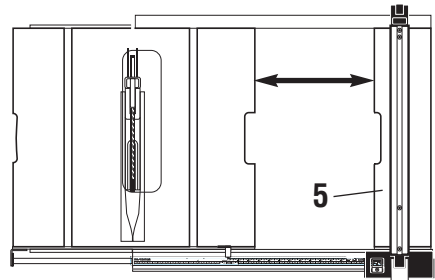
FIG. 35



AJUSTE DE LA EXTENSIÓN DE LA MESA

Para extender la mesa, suba el mango de fijación de la extensión de la mesa **4** (Fig. 35) y deslice la extensión de la mesa **5** hasta el ancho deseado (Fig. 35a). Para fijar el ajuste de la mesa, baje el mango de fijación **4**.

FIG. 35a



UTILIZACIÓN DEL INDICADOR DEL TOPE-GUÍA PARA CORTAR AL HILO (SÓLO SI LA MESA NO ESTÁ EXTENDIDA)

El tope-guía para cortar al hilo muestra la distancia desde la hoja hasta el tope-guía para cortar al hilo a través de una práctica ventana de visualización y aumento.

Alinee el indicador del tope-guía para cortar al hilo **5** con la porción inferior de la escala **6**. La escala inferior puede utilizarse hasta 10 pulgadas (Fig. 36).

UTILIZACIÓN DEL INDICADOR DE LA MESA (SÓLO SI LA MESA ESTÁ EXTENDIDA AL MÁXIMO)

La porción superior de la escala se utiliza para hacer cortes al hilo de 10 a 18 pulgadas. Alinee el indicador de la mesa **7** con la porción superior de la escala **6** (Fig. 36)

NOTA: La máxima capacidad de corte a la derecha de la hoja cuando la mesa de extensión está cerrada es de 10 pulgadas, tal y como se indica en la escala. Para lograr esta capacidad, una parte de las almohadillas de deslizamiento

del tope-guía, ubicadas debajo de la palanca de fijación, colgará del riel. La máxima capacidad de corte a la derecha de la hoja cuando la mesa de extensión está completamente extendida es de 18 pulgadas. Para lograr esta capacidad, una parte de las almohadillas de deslizamiento del tope-guía, ubicadas debajo de la palanca de fijación, colgará del riel. En cualquiera de los dos casos, el indicador del tope-guía para colgar al hilo nunca se debe posicionar más allá de 10 pulgadas en la escala inferior para lograr la máxima capacidad de corte (Fig. 37).

FIG. 37

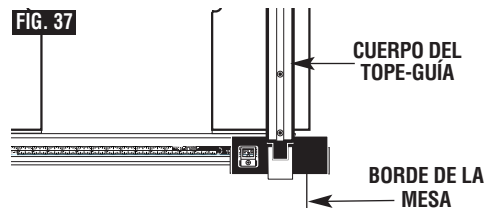
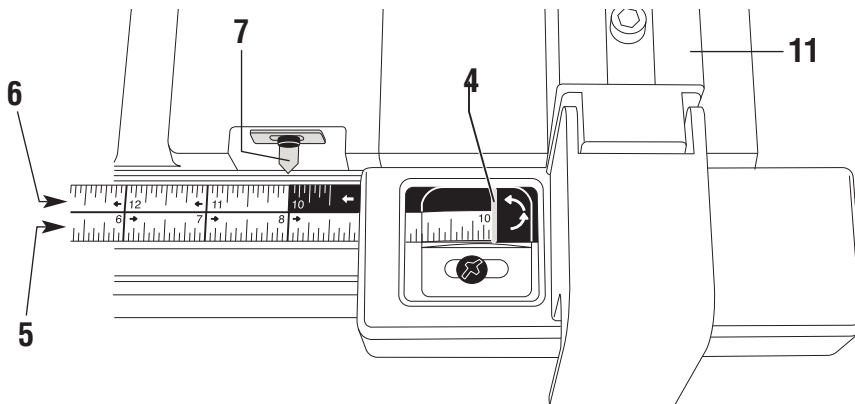


FIG. 36



AYUDANTES DE TRABAJO

Antes de cortar cualquier madera en la sierra, estudie el "Funcionamiento básico de la sierra".

Observe que para hacer algunos de los cortes es necesario utilizar ciertos dispositivos, "ayudantes de trabajo", como el palo de empujar, el bloque de empujar y el tope-guía auxiliar, que se puede hacer usted mismo.

Después de realizar unos cuantos cortes de práctica, haga estos "ayudantes" antes de comenzar cualquier proyecto. Haga primero el palo de empujar. (Con la GTS1031 se incluye un palo de empujar estándar).

PALO DE EMPUJAR Y BLOQUE DE EMPUJAR

Haga un palo de empujar **1** usando un pedazo de madera de 1 x 2, de la manera que se muestra en la ilustración (Fig. 38).

Haga el bloque de empujar **2** utilizando pedazos de madera contrachapada 3/8", **3**, y de madera dura de 3/4", **4**, (Fig. 39). Para obtener información sobre cómo utilizar apropiadamente el bloque de empujar, consulte la página 99.

El pedazo pequeño de madera de 3/8" x 3/8" x 2-1/2" se debe **ENCOLAR** a la madera contrachapada... **NO USE CLAVOS**. Esto tiene como fin evitar mellar la hoja de sierra en caso de que usted corte por error en el bloque de empujar.

Posicione el mango en el centro de la madera contrachapada y sujete el mango a la madera usando adhesivo y tornillos para madera.

Use un palo de empujar siempre que el tope-guía esté a 2 pulgadas o más de la hoja. Utilice un bloque de empujar cuando la operación sea demasiado estrecha como para permitir el uso de un palo de empujar. Para obtener información sobre cómo utilizar apropiadamente el palo de empujar, consulte la página 99.

Se deben usar tanto un palo de empujar como un bloque de empujar en lugar de la mano del usuario para guiar el material solamente entre el tope-guía y la hoja.

Cuando utilice un palo de empujar o un bloque de empujar, el extremo de salida de la tabla debe estar en ángulo recto. Un palo de empujar o un bloque de empujar contra un extremo desigual podría resbalar o empujar la pieza de trabajo alejándola del tope-guía.

TOPE-GUÍA AUXILIAR

Haga uno utilizando pedazos de madera contrachapada de 3/8" **3** y de madera dura de 3/4" **4**. Fije los pedazos uno a otro con cola y tornillos para madera (Fig. 40).

NOTA: Como el bloque de empujar **2** se utiliza con el tope-guía auxiliar **5**, las dimensiones de 4-3/4" se deben mantener idénticas en ambos pedazos.

CÓMO HACER UNA TABLA CON CANTO BISELADO

La figura 41 ilustra las dimensiones para hacer una tabla con canto biselado típica. Se debe hacer utilizando un pedazo recto de madera que esté libre de nudos o grietas.

La separación de corte **5** debe ser de 1/4" (Fig. 41).

FIG. 38 EXTREMO DE LA PIEZA DE TRABAJO

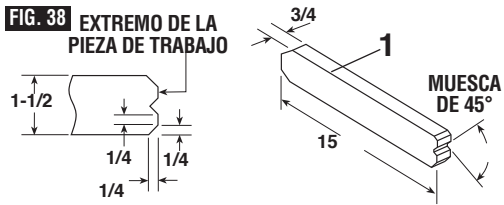
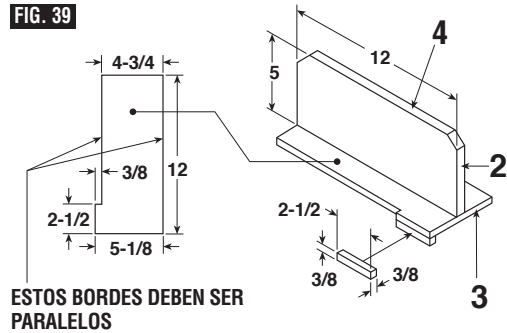
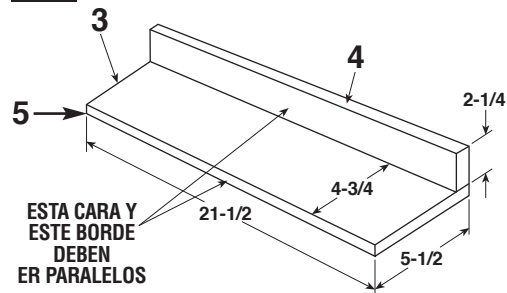


FIG. 39



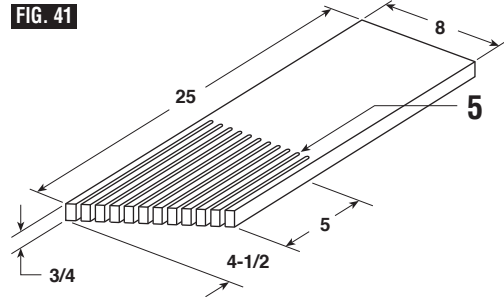
ESTOS BORDES DEBEN SER PARALELOS

FIG. 40



ESTA CARA Y ESTE BORDE DEBEN SER PARALELOS

FIG. 41



NOTA: Todas las dimensiones están en pulgadas.

UTILIZACIÓN DEL CALIBRE DE INGLETES

DURANTE EL CORTE TRANSVERSAL, EL CORTE A INGLETE, EL CORTE EN BISEL, EL CORTE A INGLETE COMPUESTO y al CORTAR REBAJOS transversalmente al extremo de una pieza de trabajo estrecha se utiliza el CALIBRE DE INGLETES.

Para su propia seguridad, siga siempre las siguientes precauciones de seguridad además de las instrucciones de seguridad de las páginas 72, 73, 74 y 75.

⚠ ADVERTENCIA Nunca haga estos cortes a pulso (sin utilizar el calibre de ingletes u otros dispositivos auxiliares) porque la hoja podría atascarse en el corte y causar RETROCESO o hacer que los dedos o la mano resbalen y entren en contacto con la hoja.

Fije siempre el calibre de ingletes firmemente cuando se esté utilizando.

Retire de la mesa el tope-guía para cortar al hilo durante toda operación que utilice el calibre de ingletes.

El calibre de ingletes incluye un disco con ranura en "T" 1 para facilitar su inserción en la ranura de la mesa y su remoción rápida de la mesa (Fig. 42).

Cuando realice un corte transversal y la hoja esté ajustada a 90° ó 45° respecto a la mesa, el calibre de ingletes se puede utilizar en cualquiera de las dos ranuras de la mesa. Cuando realice un corte transversal y la hoja esté inclinada, use la ranura del lado derecho de la mesa donde la hoja se inclina alejándose de las manos del usuario y del calibre de ingletes.

PARA AJUSTAR EL ÁNGULO DE INGLETE:

Afloje el pomo de fijación 1 y ajuste el cuerpo del calibre de ingletes 2 de manera que el indicador 3 esté en el ángulo deseado y luego apriete el pomo de fijación 1 (Fig. 42).

CALIBRE DE INGLETES

El calibre de ingletes de la GTS1031 está diseñado para aceptar un refrentado auxiliar con agujeros premoldeados para fijar con sujetadores un pedazo adecuado de madera recta y lisa. Utilice el calibre de ingletes como plantilla para realizar la instalación con los sujetadores apropiados (Fig. 43).

Ejemplo:

A. Haga agujeros de 5/32" de diámetro a través de la tabla (de 3/4" de grosor, 3" de altura y la longitud deseada).

B. Coloque la tabla en el calibre de ingletes con dos tornillos de cabeza redonda No. 12 de 1-1/2" de longitud 6, no incluidos (Fig. 43).

Asegúrese de que los tornillos nunca sobresalgan por encima de la superficie exterior del refrentado.

Asegúrese de que el refrentado no interfiera con el funcionamiento apropiado del protector de la hoja de sierra.

NOTA: Al realizar cortes transversales en bisel, coloque el refrentado de manera que sobresalga por la derecha del calibre de ingletes y utilice el calibre de ingletes en la ranura que se encuentra a la derecha de la hoja.

FIG. 42

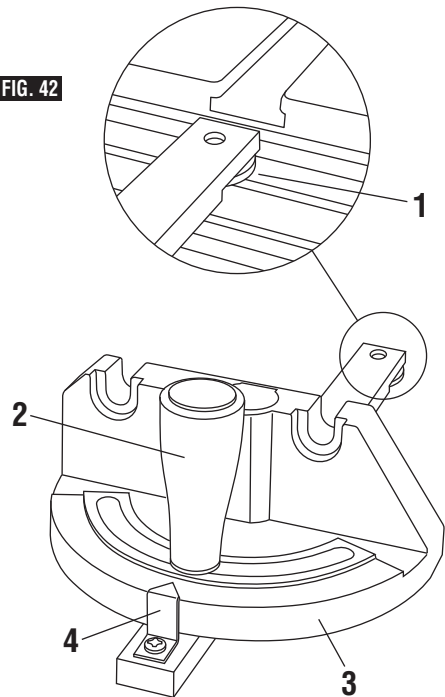
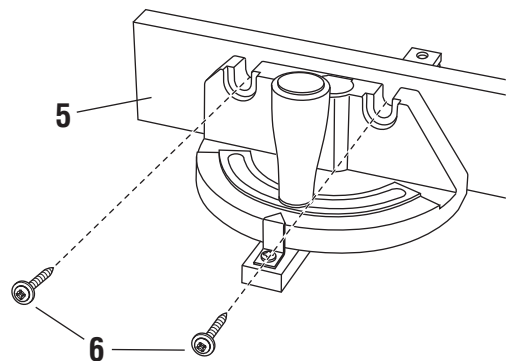


FIG. 43



CORTE TRANSVERSAL

Se conoce como CORTE TRANSVERSAL a cortar madera en dirección transversal a la veta, a 90°, o en ángulo recto tanto con el borde como con el lado plano de la madera. Esto se hace con el calibre de ingletes ajustado a 90° (Fig. 44).

Asegúrese de que el protector de la hoja está instalado para todas las operaciones de "aserrado pasante" (cuando la hoja de sierra corta completamente a través del grosor de la pieza de trabajo). Vuelva a colocar el protector INMEDIATAMENTE después de terminar cortes de mortajas o rebajos.

Haga que la hoja sobresalga aproximadamente 1/8" por encima de la parte superior de la pieza de trabajo. Una exposición adicional de la hoja aumentaría el potencial de peligros.

No se sitúe directamente delante de la hoja en caso de RECHAZO (un pequeño pedazo cortado enganchado por la parte posterior de la hoja y lanzado hacia el operador). Sitúese en cualquiera de los lados de la hoja.

Mantenga las manos alejadas de la hoja y fuera de la trayectoria de la hoja.

Si la hoja se atasca o detiene durante el corte, APAGUE EL INTERRUPTOR (posición "OFF") antes de intentar liberar la hoja.

No ponga las manos encima o detrás de la hoja para tirar de la pieza de trabajo a través del corte ... para sujetar piezas de trabajo largas o pesadas. ... para retirar pedazos cortados de material ni POR NINGUNA OTRA RAZON.

No recoja de la mesa pequeños pedazos de material cortado. RETIRELOS empujándolos FUERA de la mesa con un palo largo. De lo contrario podrían ser arrojados hacia usted por la parte posterior de la hoja.

No retire pequeños pedazos de material cortado que puedan quedar ATRAPADOS dentro del protector de la hoja mientras la sierra está EN MARCHA. ESTO PODRIA PONER EN PELIGRO LAS MANOS o causar un RETROCESO. Apague la sierra. Después de que la hoja haya dejado de girar, suba el protector y retire el pedazo.

Si la pieza de trabajo está combada, coloque el lado CONCAVO hacia ABAJO. Esto evitará que oscile mientras se está cortando.

Las graduaciones del calibre de ingletes proporcionan precisión para el trabajo corriente de madera. En algunos casos en los que se requiere máxima precisión, al hacer cortes angulares, por ejemplo, haga un corte de prueba y luego compruébelo con una escuadra precisa o un transportador de ángulos.

Si es necesario, la cabeza del calibre de ingletes se puede inclinar ligeramente para compensar cualquier imprecisión.

NOTA: El espacio entre la barra del calibre de ingletes y la ranura de la mesa se mantiene al mínimo durante la fabricación.

Para obtener máxima precisión al utilizar el calibre de ingletes, "favorezca" siempre un lado de la ranura de la mesa. En otras palabras, no mueva el calibre de ingletes de lado a lado mientras corta, pero mantenga un lado de la barra desplazándose contra un lado de la ranura.

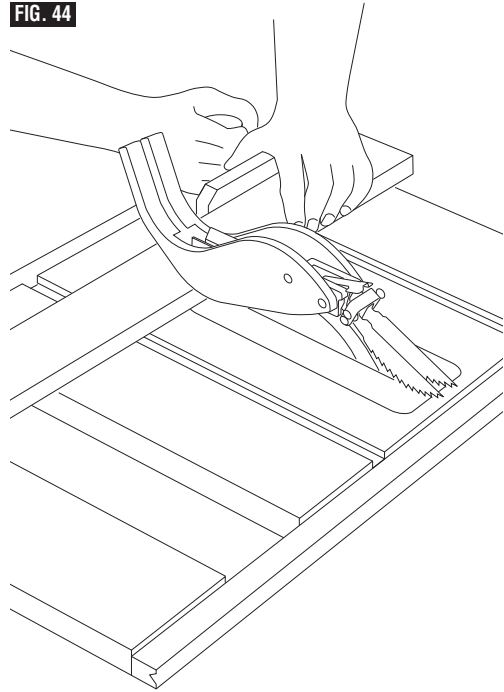
NOTA: Encole un pedazo de papel de lija 1 en la cara de la cabeza del calibre de ingletes. Esto ayudará a evitar que la pieza de trabajo se desplace mientras es cortada.

El calibre de ingletes se puede utilizar en cualquiera de las ranuras de la mesa. Asegúrese de que se encuentra fijo.

Al utilizar el calibre de ingletes en la ranura de la IZQUIERDA, sujete la pieza de trabajo firmemente contra la cabeza del calibre con la mano izquierda y agarre el pomo de fijación con la mano derecha.

Al utilizar la ranura de la DERECHA, sujete la pieza de trabajo con la mano derecha y el pomo de fijación con la mano izquierda.

FIG. 44



CORTES REPETITIVOS

Se conocen como CORTES REPETITIVOS a los cortes de varias piezas del mismo largo sin necesidad de marcar cada una (Fig. 45).

Cuando haga cortes repetitivos de una pieza larga, verifique que esté apoyada.

ADVERTENCIA Nunca use la guía para cortar al hilo como tope largo porque el trozo cortado se puede atorar entre la guía y la hoja causando un contragolpe.

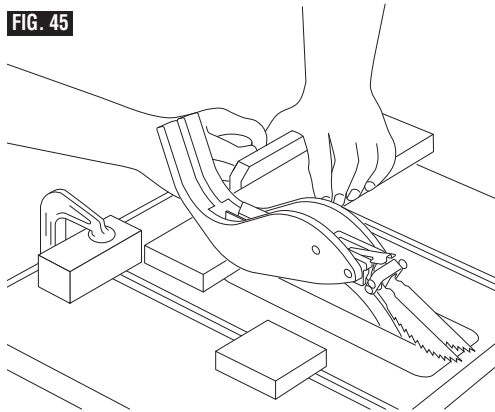
1. Cuando haga cortes repetitivos, fije a la mesa un bloque de madera de 3 pulgadas de largo a la distancia deseada para que actúe como tope largo.

ADVERTENCIA Al fijar el bloque, compruebe que el extremo del bloque se encuentra bien adelante de la hoja de la sierra. Asegúrese de fijarlo bien firme.

2. Deslice la pieza de trabajo a lo largo del calibre del inglete hasta que toque el bloque ... sujételo bien firme.

3. Haga el corte ... corra la pieza hacia atrás ... empuje el trozo cortado fuera de la mesa con un empujador largo ... NO INTENTE RECOGERLO PORQUE PONDRÁ EN PELIGRO LAS MANOS.

FIG. 45



CORTE A INGLETE

Se conoce como CORTE A INGLETE a cortar madera a un ángulo distinto a 90° con el borde de la madera. Siga el mismo procedimiento que seguiría para cortar transversalmente (Fig. 46).

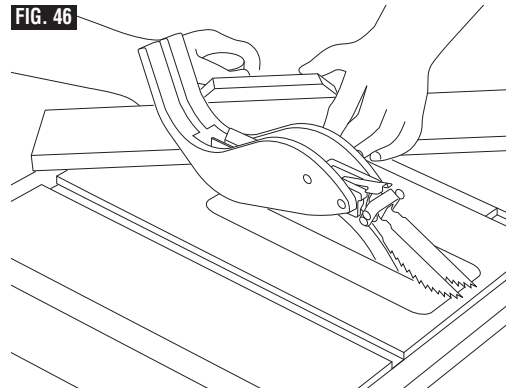
Ajuste el calibre de ingletes al ángulo deseado y fíjelo.

El calibre de ingletes se podrá utilizar en cualquiera de las ranuras de la mesa.

Al utilizar el calibre de ingletes en la ranura de la IZQUIERDA, sujete la pieza de trabajo firmemente contra la cabeza del calibre de ingletes con la mano izquierda y agarre el pomo de fijación con la mano derecha.

Al utilizar la ranura de la DERECHA, sujete la pieza de trabajo con la mano derecha y el pomo de fijación con la mano izquierda.

FIG. 46



CORTE TRANSVERSAL EN BISEL

EL CORTE TRANSVERSAL EN BISEL es lo mismo que el corte transversal, excepto que la madera también se corta en un ángulo ... distinto a 90° con el lado plano de la madera (Fig. 47).

Ajuste la hoja al ángulo deseado.

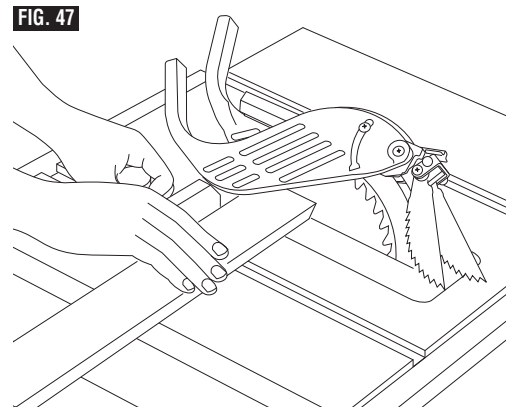
Utilice el calibre de ingletes en la ranura que se encuentra a la DERECHA de la hoja.

CORTE A INGLETE COMPUESTO

EL CORTE A INGLETE COMPUESTO es una combinación del corte a inglete y el corte transversal en bisel. El corte se hace a un ángulo distinto de 90° respecto al borde y a la superficie plana de la madera (Fig. 47).

Ajuste el calibre de ingletes y la hoja al ángulo deseado ... Asegúrese de que el calibre de ingletes está fijo.

FIG. 47



UTILIZACIÓN DEL TOPE-GUÍA PARA CORTAR AL HILO

EL CORTE AL HILO, EL CORTE AL HILO EN BISEL, EL REASERRADO Y EL CORTE DE REBAJOS se realizan utilizando el TOPE-GUÍA PARA CORTAR AL HILO junto con el TOPE-GUÍA AUXILIAR / APOYO DE LA PIEZA DE TRABAJO, EL PALO DE EMPUJAR O EL BLOQUE DE EMPUJAR.

Para su propia seguridad, siga siempre las siguientes precauciones de seguridad además de las instrucciones de seguridad de las páginas 72, 73, 74 y 75.

1. Nunca haga estos cortes A PULSO (sin utilizar el tope-guía para cortar al hilo o los dispositivos auxiliares cuando sea necesario) porque la hoja podría atascarse en el corte y causar RETROCESO.
2. Fije siempre el tope-guía para cortar al hilo firmemente cuando se esté utilizando.
3. Retire de la mesa el calibre de ingletes durante toda operación que utilice el tope-guía para cortar al hilo.
4. Asegúrese de que el protector de la hoja está instalado para todos los cortes del tipo de aserrado pasante. Vuelva a colocar el protector INMEDIATAMENTE después de terminar las operaciones de reaserrado, corte de rebajos y mortajas.

Compruebe frecuentemente el funcionamiento de los TRINQUETES ANTIRRETROCESO pasando la pieza de trabajo junto al separador cuando la sierra está APAGADA.

Tire de la pieza de trabajo HACIA usted. Si los TRINQUETES no PENETRAN en la pieza de trabajo y la SUJETAN... hay que CAMBIAR o AFILAR los trinquetes. (Vea "Mantenimiento" en la página 104 y 105).

5. Haga que la hoja sobresalga aproximadamente 1/8" por encima de la parte superior de la pieza de trabajo. Una exposición adicional de la hoja aumentaría la posibilidad de peligro.
6. No se sitúe directamente delante de la hoja en caso de RETROCESO. Sitúese en cualquiera de los lados de la hoja.
7. Mantenga las manos alejadas de la hoja y fuera de la trayectoria de la hoja.
8. Si la hoja se atasca o se detiene durante el corte, APAGUE EL INTERRUPTOR (posición "OFF") antes de intentar liberar la hoja.
9. No ponga las manos encima o detrás de la hoja para tirar de la pieza de trabajo a través del corte ... para sujetar piezas de trabajo largas o pesadas ... para retirar pequeños pedazos cortados de material ni POR NINGUNA OTRA RAZON.
10. No recoja de la mesa pequeños pedazos de material cortado. RETIRELOS empujándolos FUERA de la mesa con un palo largo. De lo contrario podrían ser arrojados hacia usted por la parte posterior de la hoja.

11. No retire pequeños pedazos de material cortado que puedan quedar ATRAPADOS dentro del protector de la hoja mientras la sierra está EN MARCHA. ESTO PODRIA PONER EN PELIGRO LAS MANOS o causar RETROCESO. APAGUE la sierra. Después de que la hoja haya dejado de girar, suba el protector y retire el pedazo.

12. Si la pieza de trabajo está combada, coloque el lado CONCAVO hacia ABAJO. Esto evitará que oscile mientras se esté cortando.

REFRENTADO AUXILIAR PARA EL TOPE-GUÍA PARA CORTAR AL HILO

Cuando utilice fresas de mortajar accesorias, se debe utilizar una tabla de refrentado auxiliar. Esto ayudará a evitar dañar el tope-guía de aluminio. El refrentado se debe hacer con madera de 3/4 de pulgada de grosor (Fig. 48).

Piezas necesarias:

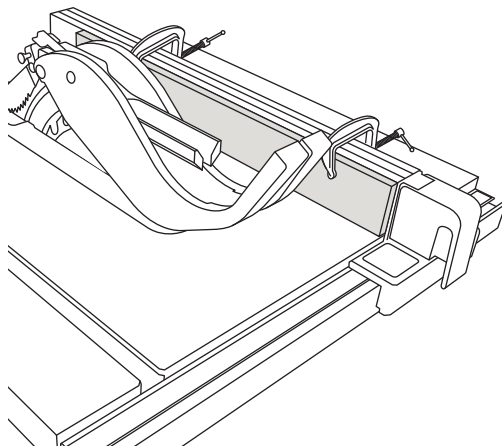
Tabla de madera de 3/4" de grosor (maciza o de madera contrachapada) cortada con el tamaño deseado.

Dos (2) abrazaderas.

El refrentado se hace con la misma altura (2-3/4") que el tope-guía y puede funcionar con el sistema de protector de la hoja colocado en su sitio cuando se mueve el tope-guía para entrar en contacto con la hoja. Utilice dos abrazaderas para sujetar la tabla de madera de 3/4 de pulgada de grosor al tope-guía para cortar al hilo.

NOTA: La tabla de refrentado auxiliar también se debe utilizar cuando se corte material de menos de 3/16 de pulgada de grosor.

FIG. 48



CORTE AL HILO

Se conoce como CORTE AL HILO a cortar un pedazo de madera siguiendo la veta, o longitudinalmente. Esto se hace utilizando el tope-guía para cortar al hilo. Posicione el tope-guía para el ANCHO DE CORTE AL HILO deseado y fíjelo en su sitio. Antes de comenzar a cortar al hilo, asegúrese de que:

- A. El tope-guía para cortar al hilo esté paralelo a la hoja de sierra.
- B. El separador esté adecuadamente alineado con la hoja de sierra.
- C. Los trinquetes antirretroceso funcionen adecuadamente.

Cuando corte al hilo TABLAS LARGAS o PANELES GRANDES, utilice siempre un soporte auxiliar para la pieza de trabajo (Fig. 49).

Cuando corte al hilo una pieza de trabajo que mida menos de 3/16 de pulgada de grosor, utilice siempre el tope-guía auxiliar descrito en la sección sobre el refrentado auxiliar para el tope-guía para cortar al hilo (página 99).

CORTE AL HILO EN BISEL

Al cortar al hilo en bisel material de 6" o más estrecho, utilice el tope-guía en el lado derecho de la hoja ÚNICAMENTE. Esto proporcionará más espacio entre el tope-guía y la hoja de sierra para utilizar un palo de empujar. Si el tope-guía se monta a la izquierda, el protector de la hoja de sierra puede interferir con el uso adecuado de un palo de empujar.

Cuando el "ANCHO DEL CORTE AL HILO" es de 6" y MAS, utilice la mano DERECHA para hacer avanzar la pieza de trabajo y utilice la mano IZQUIERDA ÚNICAMENTE para guiar la pieza de trabajo ... no HAGA AVANZAR la pieza de trabajo con la mano izquierda (Fig. 49).

Cuando el "ANCHO DE CORTE AL HILO" es de 2" a 6", UTILICE EL PALO DE EMPUJAR 1 para hacer avanzar la pieza de trabajo (Fig. 50).

Cuando el ANCHO DE CORTE AL HILO es MAS ESTRECHO de 2", NO SE PUEDE utilizar el palo de empujar porque el protector interferirá ... UTILICE el TOPE-GUIA AUXILIAR y el BLOQUE DE EMPUJAR.

Sujete el tope-guía auxiliar 2 al tope-guía para cortar al hilo con dos abrazaderas en "C" (Fig. 51).

Haga avanzar la pieza de trabajo a mano hasta que el extremo se encuentre aproximadamente a 1" del borde delantero de la mesa. Continúe haciendo avanzar la pieza de trabajo utilizando el BLOQUE DE EMPUJAR 3 en la parte superior del tope-guía auxiliar HASTA QUE SE TERMINE DE REALIZAR EL CORTE (Fig. 52).

FIG. 49

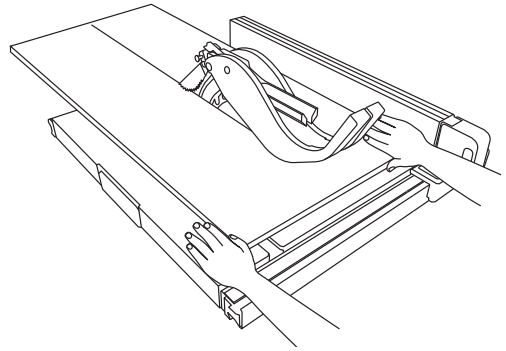


FIG. 50

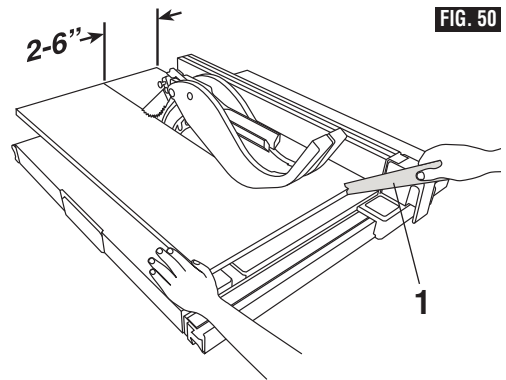


FIG. 52

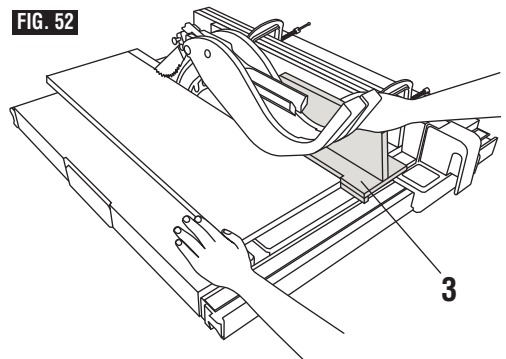
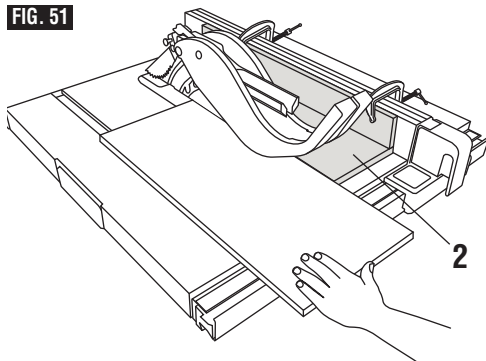


FIG. 51



ASERRADO NO PASANTE

Añada una tabla de refrentado plano de 8" de altura al tope-guía a lo largo de toda la longitud del tope-guía (Fig. 53).

Utilice tablas con canto biselado para todas las operaciones de "aserrado no pasante" (cuando haya que retirar el protector de la hoja de sierra). Las tablas con canto biselado **1** se utilizan para mantener la pieza de trabajo en contacto con el tope-guía y la mesa tal como se muestra en la ilustración y para detener retrocesos.

Monte las tablas con canto biselado **1** en el tope-guía y en la mesa tal como se muestra en la ilustración, de manera que los bordes de avance de las tablas con canto biselado soporten la pieza de trabajo hasta que se termine de realizar el corte y la pieza de trabajo haya sido empujada por completo pasado el cortador (hoja de sierra, fresa rotativa de cortar mortajas, etc.) con un palo de empujar **2**, igual que al cortar al hilo.

Antes de comenzar la operación, apague la sierra y ajuste el cortador por debajo de la superficie de la mesa.

- A. Instale las tablas con canto biselado para que ejerzan presión sobre la pieza de trabajo; asegúrese de que están colocadas firmemente.
- B. Asegúrese mediante la realización de pruebas de que las tablas con canto biselado detendrán el retroceso en caso de que éste se produzca.

Las tablas con canto biselado no se emplean durante las operaciones de aserrado no pasante cuando se utiliza el calibre de ingletes.

VUELVA A COLOCAR EL PROTECTOR DE LA HOJA DE SIERRA EN CUANTO TERMINE DE REALIZAR LA OPERACIÓN DE ASERRADO NO PASANTE.

CORTE DE REBAJOS

Se conoce al CORTE DE REBAJOS como el corte de una sección de la esquina de un pedazo de material transversalmente a un extremo o a lo largo de un borde (Fig. 54).

La realización de un CORTE DE REBAJO requiere cortes que no atraviesen completamente el material. Por lo tanto, hay que quitar el protector de la hoja.

1. Quite el protector de la hoja.
2. Para cortar rebajos a lo largo de un borde (el lado largo de la pieza de trabajo) tal como se muestra en la ilustración, añada un refrentado al tope-guía para cortar al hilo a una altura aproximadamente igual al ancho de la pieza de trabajo. Ajuste el tope-guía para cortar al hilo y la hoja a las dimensiones requeridas; luego, haga el primer corte con la tabla en posición horizontal sobre la mesa; siga la preparación de la Fig. 53. Haga un segundo corte con la pieza de trabajo en el borde. Siga todas las precauciones, instrucciones de seguridad e instrucciones de funcionamiento de la misma manera que para cortar al hilo o para operaciones del tipo de corte al hilo, incluyendo tablas con canto biselado y palo de empujar, etc.

3. Para cortar rebajos transversalmente a un extremo, para piezas de trabajo de 10-1/2" y más estrechas, haga el corte de rebajo con la tabla en posición horizontal sobre la mesa. Utilizando el calibre de ingletes equipado con un refrentado, siga

los mismos procedimientos e instrucciones que para cortar transversalmente realizando cortes sucesivos transversalmente al ancho de la pieza de trabajo para obtener el ancho de corte deseado. NO use el tope-guía para cortar al hilo para cortar rebajos transversalmente al extremo.

4. INSTALE EL PROTECTOR DE LA HOJA INMEDIATAMENTE DESPUES DE TERMINAR LA OPERACION DE CORTE DE REBAJOS.

Los cortes de rebajos también se pueden realizar en una pasada de la pieza de trabajo sobre el cortador utilizando la fresa rotativa de cortar mortajas.

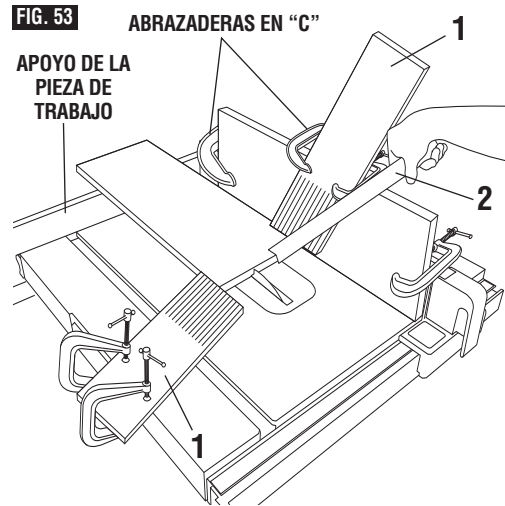


FIG. 53

ABRAZADERAS EN "C"

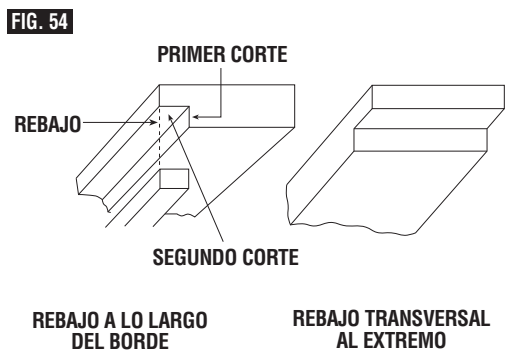


FIG. 54

PRIMER CORTE

REBAJO

SEGUNDO CORTE

REBAJO A LO LARGO DEL BORDE

REBAJO TRANSVERSAL AL EXTREMO

CORTE DE MORTAJAS

Las instrucciones para utilizar la sierra con juegos de fresas de mortajar y moldurar están contenidas en el folleto suministrado con estos accesorios.

UTILICE SIEMPRE UN ACCESORIO DE INSERCIÓN DE LA MESA BOSCH APROPIADO Y LAS ARANDELAS INDICADAS EN ACCESORIOS RECOMENDADOS (consulte la página 105).

COLOQUE SIEMPRE LAS ARANDELAS DE LA HOJA EN LAS POSICIONES ORIGINALES CUANDO HAYA ACABADO DE CORTAR MORTAJAS.

INSTALACIÓN DE UN JUEGO DE MORTAJAR

Un juego de mortajar es un sistema accesorio que se utiliza para hacer ranuras no pasantes o cortes de superposición en piezas de trabajo. Estas herramientas se utilizan comúnmente en la construcción de muebles y gabinetes. Después de que se hayan hecho apropiadamente los cortes de mortajas en las piezas de trabajo, éstas se pueden unir compactamente. La mesa de sierra GTS1031 puede acomodar el corte de mortajas hasta 1/2 de pulgada de ancho en una sola pasada.

⚠ ADVERTENCIA Para reducir el riesgo de lesiones, desconecte siempre el enchufe de la fuente de energía antes de cambiar las hojas.

⚠ ADVERTENCIA Utilice siempre el accesorio de inserción de la mesa de hoja de mortajar Bosch No. TS1013 (viene con una arandela accesorio para mortajar). No haga nunca cortes de mortajas sin este accesorio de inserción. No use juegos de mortajar de más de 8 pulgadas de diámetro. No ajuste nunca los cortadores de mortajar a cualquier ángulo de bisel que no sea el ángulo de 0° vertical. Haga caso de todas las advertencias e instrucciones mostradas aquí y las que acompañan al juego de mortajar. Si no se hace caso de estas advertencias, el resultado podría ser lesiones corporales graves.

⚠ ADVERTENCIA Para reducir el riesgo de lesiones, no utilice juegos de mortajar de más de 8 pulgadas de diámetro. La sierra no está diseñada para aceptar fresas de mortajar de tamaños más grandes.

UTILIZACIÓN DE JUEGOS DE MORTAJAR APILADOS

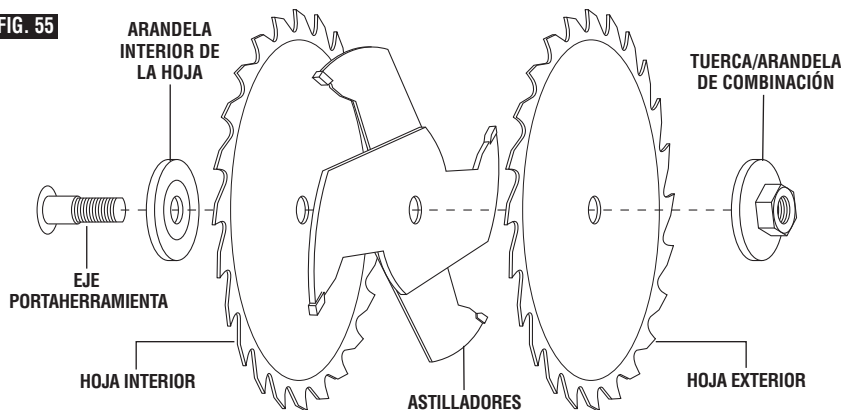
NOTA: Estas instrucciones se basan en la utilización de juegos

de mortajar profesionales Bosch de 8 y 6 pulgadas: Nos. de modelo PRO824DADO, PRO840DADO y PRO624DADO. También se aplican a la mayoría de los juegos de mortajar apilados estándar.

1. Desconecte el enchufe de la fuente de energía.
2. Retire el ensamblaje del protector de barrera y el dispositivo antirretroceso (consulte la página 85 del manual). Baje la cuchilla separadora a su posición más baja y bloquéela.
3. Retire la placa de inserción de la mesa estándar. Suba la hoja de sierra hasta la altura máxima.
4. Retire la tuerca del eje portaherramienta y luego la arandela exterior y la hoja de sierra (consulte la página 85). Nota: Sólo para cortar mortajas, deje la arandela interior instalada en su sitio. La arandela exterior se reemplazará con la tuerca/arandela de combinación incluida con el accesorio de inserción TS1013.
5. Instalación de un apilamiento de mortajar (Fig. 55)
 - A) Coloque las piezas deseadas del juego de mortajar en el eje portaherramienta.
 - B) Coloque las piezas deseadas del juego de mortajar en el eje portaherramienta.
 - C) Coloque la tuerca/arandela de combinación suministrada con el juego de accesorios de mortajar (TS1013) en el exterior del apilamiento de mortajar y apriétela.
 - D) Coloque de nuevo la tuerca del eje portaherramienta en dicho eje y apriétela.
6. Colocación de las hojas de mortajar y los astilladores: (vea la Fig. 55)

- Para realizar cortes de más de 1/4 de pulgada de ancho, coloque las dos hojas (cortadores) exteriores de mortajar en el eje. Las dos hojas exteriores de mortajar pueden ser diferentes. Consulte la información sobre la hoja y las instrucciones del fabricante para realizar una instalación correcta.
- Para realizar cortes más anchos (de hasta 1/2 de pulgada como máximo), se pueden colocar hojas astilladoras y espaciadores solamente entre las hojas (cortadores) exteriores.

FIG. 55



⚠ ADVERTENCIA Para reducir el riesgo de lesiones, no utilice nunca una sola hoja de mortajiar para realizar cortes de aserrado pasante normal. No utilice nunca astilladores sin ambos cortadores exteriores. Lea y siga las instrucciones de utilización y seguridad incluidas con el juego de mortajiar.

NOTA: Con esta sierra, no exceda una anchura apilada mayor de 1/2 pulgada. Utilice la tuerca/arandela de combinación suministrada con el TS1013.

7. Baje las hojas por debajo del tablero de la mesa e inserte el accesorio de inserción de la mesa de mortajiar Bosch (TS1013) (Fig. 70). Suba los cortadores hasta la profundidad de corte deseada (por encima del accesorio de inserción). Asegúrese de que la herramienta no esté enchufada en una fuente de energía y luego gire cuidadosamente a mano los cortadores para asegurarse de que todos los componentes estén firmemente sujetos y que no haya interferencias.

8. Enchufe la sierra en la fuente de energía. Utilizando madera de desecho, haga cortes de mortajas de práctica y ajuste la altura según corresponda.

⚠ ADVERTENCIA Para reducir el riesgo de lesiones, no pase nunca las manos sobre las hojas de mortajiar cuando estén cortando. Los cortes de mortajas son cortes no pasantes (ciegos). Muchas veces los cortadores no se pueden ver durante la realización del corte. Consulte la página 101 para obtener instrucciones sobre el aserrado no pasante.

⚠ ADVERTENCIA Para reducir el riesgo de lesiones, no haga nunca cortes a pulso. La pieza de trabajo se debe sostener contra el tope-guía o el calibre de ingletes de la sierra mientras se hace que dicha pieza avance. Siempre que sea posible, use palos de empujar o bloques de empujar para realizar cortes al hilo (consulte la página 100). Utilice siempre tablas de canto biselado, acopladas a la mesa o al tope-guía, cuando corte al hilo (consulte la página 101). Cuando corte transversalmente, sujete firmemente la pieza de trabajo contra el calibre de ingletes (consulte la página 97).

NOTA: Como los cortes de mortajas son cortes no pasantes, el calibre de ingletes se puede utilizar con el tope-guía bloqueado en su sitio. Esto es útil cuando se realizan cortes transversales repetitivos de mortajas desde los extremos de más de una pieza de trabajo. Cada pieza se sujeta contra el calibre de ingletes y su extremo se desliza a lo largo del tope-guía a una distancia prefijada.

Dependiendo de la profundidad de corte final y/o la densidad del material, es posible que sea necesario realizar múltiples cortes, comenzando con profundidades pequeñas de 1/4 a 1/2 pulgada y progresando hasta la profundidad final. Cuando realice muchos cortes repetitivos de mortajas, compruebe periódicamente las piezas de trabajo para asegurarse de que se mantenga la profundidad de corte.

REGRESO DE LA SIERRA A CORTE PASANTE NORMAL

Después de completar el corte de ranuras, asegúrese de devolver las arandelas interior y exterior a las posiciones origi-

nales (consulte la página 30 para obtener detalles). Es importante que las arandelas de equipo original estén en las posiciones correctas para que la hoja de sierra se alinee siempre con la cuchilla separadora instalada permanentemente.

JUEGOS DE MORTAJAR AJUSTABLES U OSCILANTES

⚠ ADVERTENCIA Para reducir el riesgo de lesiones, no use juegos de mortajiar ajustables u “oscilantes” en esta sierra. Los juegos de mortajiar ajustables se pueden ubicar fácilmente en posiciones que podrían interferir con los componentes de trabajo de esta sierra.

FIG. 56

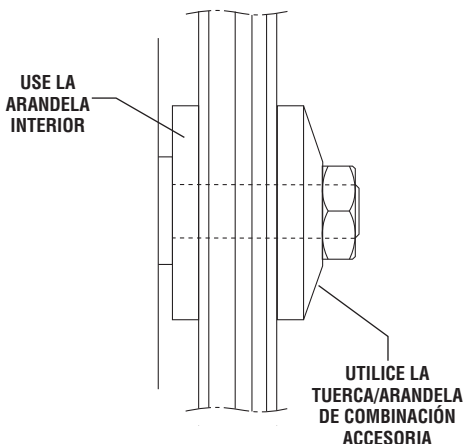
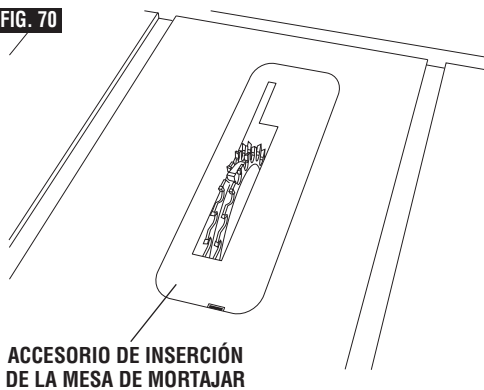


FIG. 70



TÉCNICAS DE CORTE ESPECIALES

▲ ADVERTENCIA Esta sierra de mesa es una herramienta de gran versatilidad, capaz de realizar una amplia gama de cortes altamente especializados que no se pueden cubrir en este manual. No intente realizar cortes no cubiertos en este manual, a menos que esté muy familiarizado con las procedimientos y la utilización de dispositivos de fijación.

Vaya a la biblioteca local para obtener libros sobre técnicas de trabajo en madera tales como: The Complete Book of Stationary Power Tool Techniques (El Libro completo de técnicas para herramientas mecánicas estacionarias) de R.J. De Christoforo o Table Saw Techniques (Técnicas para sierras de mesa) de R. Cliffe.

CORTE DE METALES Y MAMPOSTERÍA

▲ ADVERTENCIA Esta sierra de mesa no se recomienda para cortar metales tales como aluminio o cobre, incluso con una hoja especial diseñada para cortar estos materiales.

▲ ADVERTENCIA Esta sierra de mesa no se recomienda para cortar material de mampostería, incluso con ruedas de corte abrasivas.

Mantenimiento de la sierra de mesa

MANTENIMIENTO

▲ ADVERTENCIA Para su propia seguridad, apague el interruptor (posición "OFF") y saque el enchufe del tomacorriente de la fuente de energía antes de realizar mantenimiento de la sierra o de lubricarla.

DESPEJE EL CONDUCTO / RECOGEDOR DE POLVO

A veces, los pedazos delgados cortados pueden caer a través del accesorio de inserción de la mesa hasta el conducto para polvo. Estos pedazos se pueden acumular y dificultar la recolección de polvo. La GTS1031 está diseñada con un conducto / recogedor de polvo con acceso sin necesidad de herramientas, para despejar rápida y fácilmente este espacio.

▲ ADVERTENCIA Para su propia seguridad, ponga el interruptor en la posición de "APAGADO" y retire el enchufe del tomacorriente de la fuente de energía antes de hacer mantenimiento de la sierra.

1. Afloje el tornillo del retenedor **1** del conducto / recogedor de polvo. Vea la Fig. 58.
2. Retire el conducto / recogedor de polvo **2** deslizándolo de manera que se aleje de la herramienta y retire todos los residuos.
3. Reinstale el conducto / recogedor de polvo **2** y asegúrelo con el tornillo del retenedor.

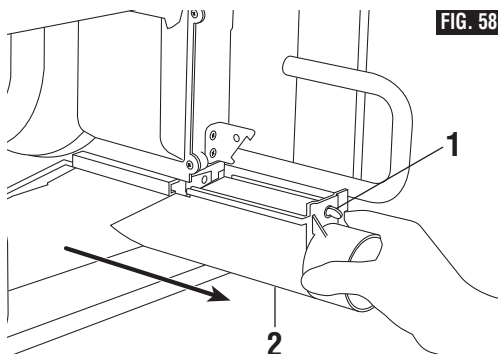


FIG. 58

▲ ADVERTENCIA La herramienta no se debe utilizar sin sujetar correctamente el conducto / recogedor de polvo con el tornillo del retenedor.

No permita que se acumule serrín dentro de la sierra. Sople frecuentemente con aire comprimido todo el polvo que se acumule en el interior del gabinete de la sierra, el motor o los engranajes de elevación de la hoja. Limpie sus herramientas de corte con un quitagomas y quitaresinas.

Limpie periódicamente el protector. Límpielo con un paño o con aire comprimido.

Hay que limpiar el cordón y la herramienta con un paño limpio y seco para evitar el deterioro debido al aceite y la grasa.

▲ PRECAUCION Ciertos agentes de limpieza y disolventes pueden dañar las piezas de plástico. Algunos de estos son: gasolina, tetracloruro de carbono, disolventes de limpieza clorados, amoníaco y detergentes domésticos que contienen amoníaco. El evitar utilizar estos y otros tipos de agentes de limpieza minimizará la posibilidad de que se produzcan daños.

Une couche de cire de carrossier appliquée de temps à autre sur la table de coupe contribuera à la propreté de cette dernière et permettra à l'ouvrage d'y glisser facilement.

Faire remplacer immédiatement le cordon d'alimentation s'il est usé, entaillé ou endommagé de quelque façon que ce soit.

Veillez à ce que les dents des TAQUETS ANTI-REBONDS soient toujours affûtées. Marche à suivre pour l'affûtage.

1. Retirez le protège-lame.
2. Relevez les taquets en les ramenant vers l'arrière de façon à ce que leurs dents soient orientées vers le haut, au-dessus du séparateur.
3. Tenez le séparateur de la main gauche et placez le taquet contre un coin de l'établi (Fig. 59).
4. Aiguissez les dents du taquet à l'aide d'une petite lime ronde à grain fin.

⚠ ADVERTENCIA Toutes les réparations électriques ou mécaniques ne doivent être effectuées que par un technicien qualifié. Adressez-vous au Centre de service en usine Bosch ou à une Station-service Bosch agréée, ou à tout autre service de réparation compétent. N'utilisez que des pièces de rechange Bosch ; d'autres types de pièces pourraient présenter un danger.

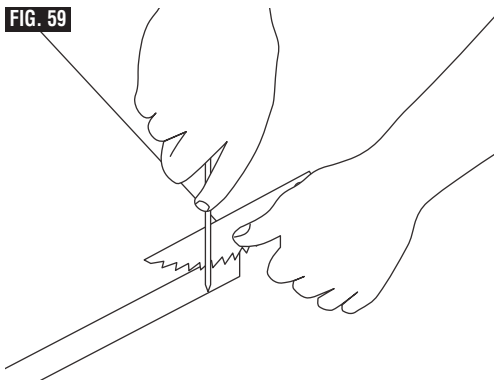


FIG. 59

LUBRICACIÓN

La caja de engranajes ha sido completamente lubricada en fábrica. Sin embargo, después de seis meses a un año, según el uso, es aconsejable llevar la herramienta al Centro de servicio más cercano para hacer lo siguiente:

- Cambiar las escobillas.
- Limpiar e inspeccionar piezas.
- Relubricar con lubricante nuevo.
- Comprobar el sistema eléctrico
- Todas las reparaciones.

Las piezas siguientes deben engrasarse de vez en cuando con aceite SAE No. 20 ó No. 30, o WD 40 (Fig. 60).

1. Varillas de soporte de elevación y engranajes
2. Rieles deslizantes y soportes
3. Levas de fijación de la mesa (delantera y trasera)

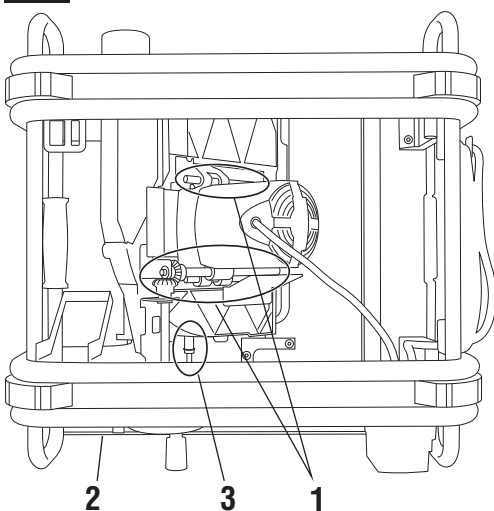


FIG. 60

Accesorios recomendados

Artículo	No. de cat.	Artículo	No. de cat.
Bolsa para polvo	TS1004	Sistema de guía de empuje	TS1010
Accesorio de inserción de holgura cero	TS1012	Base de soporte para sierras de mesa	GTS500
Juego de accesorio de inserción de mortajar	TS1013		

⚠ ADVERTENCIA Utilice únicamente accesorios recomendados. Siga las instrucciones que acompañan a los accesorios. La utilización de accesorios inadecuados puede ocasionar peligros.

Localización y reparación de averías



WARNING

Apague el interruptor (posición "OFF") y saque siempre el enchufe de la fuente de energía antes de localizar y reparar averías.

AVERIA: LA SIERRA NO ARRANCA

- PROBLEMA**
1. El cordón de energía no está enchufado.
 2. El fusible o el cortacircuito ha saltado.
 3. Cordón dañado.
 4. Interruptor quemado.
- REMEDIO**
1. Enchufe la sierra.
 2. Cambie el fusible o reajuste el cortacircuito que ha saltado.
 3. Haga cambiar el cordón en un Centro de servicio Bosch autorizado o en una Estación de servicio Bosch autorizada.
 4. Haga cambiar el interruptor en un Centro de servicio Bosch autorizado o en una Estación de servicio Bosch autorizada.

AVERIA: LA HOJA NO ALCANZA TODA SU VELOCIDAD

- PROBLEMA**
1. Cordón de extensión demasiado ligero o demasiado largo.
 2. Voltaje de red bajo.
- REMEDIO**
1. Sustitúyalo con un cordón adecuado.
 2. Póngase en contacto con la compañía eléctrica.

AVERIA: VIBRACION EXCESIVA

- PROBLEMA**
1. No se ha apretado el mango de fijación de la inclinación.
 2. Hoja desequilibrada.
 3. Sierra no montada firmemente en un apoyo o banco de trabajo.
 4. Tuerca del eje portaherramienta no apretada.
- REMEDIO**
1. Vea la sección "Familiarización con la sierra de mesa", (páginas 79 - 80).
 2. Tire la hoja y use una hoja distinta.
 3. Apriete todas las piezas de montaje. Vea la sección "Montaje de la sierra de mesa", (página 86).
 4. Vea la sección "Ensamblaje", "Cambio de la hoja" (página 84 y 85).

AVERIA: EL CORTE SE ATASCA, QUEMA, DETIENE EL MOTOR AL CORTAR AL HILO

- PROBLEMA**
1. Hoja desafilada con triscado inadecuado de los dientes.
 2. Tabla combada.
 3. Tope-guía para cortar al hilo no paralelo a la hoja.
 4. Separador desalineado.
- REMEDIO**
1. Afile o cambie la hoja.
 2. Asegúrese de que el lado cóncavo o ahuecado está orientado HACIA ABAJO y haga avanzar lentamente.
 3. Vea la sección "Ajustes de funcionamiento", "Alineación del tope-guía para cortar al hilo" (página 89).
 4. Vea la sección "Ensamblaje", "Colocación del protector de la hoja" (página 82 - 83).

AVERIA: CORTE NO ALINEADO EN LAS POSICIONES DE 90° O 45°

- PROBLEMA**
1. Tornillos de ajuste no ajustados adecuadamente.
- REMEDIO**
1. Vea la sección "Ajustes de funcionamiento", "Ajuste de la hoja paralela al calibre de ingletes" (página 88).

AVERIA: RUEDA DE ELEVACION DEL MANGO DE FIJACION DE LA INCLINACION DIFICIL DE MOVER

- PROBLEMA**
1. Mango de fijación de la inclinación no aflojado al realizar el ajuste de inclinación.
 2. Serrín en las roscas del tornillo de profundidad.
- REMEDIO**
1. Vea la sección "Familiarización con la sierra de mesa", "Pomo de fijación de la inclinación de la hoja" (página 79- 80).
 2. Vea la sección "Mantenimiento de la sierra de mesa", "Lubricación" (página 104 y 105).

Notes:

Remarques :

Notas:

LIMITED WARRANTY OF BOSCH PORTABLE AND BENCHTOP POWER TOOLS

Robert Bosch Tool Corporation ("Seller") warrants to the original purchaser only, that all BOSCH portable and benchtop power tools will be free from defects in material or workmanship for a period of one year from date of purchase. SELLER'S SOLE OBLIGATION AND YOUR EXCLUSIVE REMEDY under this Limited Warranty and, to the extent permitted by law, any warranty or condition implied by law, shall be the repair or replacement of parts, without charge, which are defective in material or workmanship and which have not been misused, carelessly handled, or misrepaired by persons other than Seller or Authorized Service Station. To make a claim under this Limited Warranty, you must return the complete portable or benchtop power tool product, transportation prepaid, to any BOSCH Factory Service Center or Authorized Service Station. For Authorized BOSCH Power Tool Service Stations, please refer to your phone directory.

THIS LIMITED WARRANTY DOES NOT APPLY TO ACCESSORY ITEMS SUCH AS CIRCULAR SAW BLADES, DRILL BITS, ROUTER BITS, JIGSAW BLADES, SANDING BELTS, GRINDING WHEELS AND OTHER RELATED ITEMS.

ANY IMPLIED WARRANTIES SHALL BE LIMITED IN DURATION TO ONE YEAR FROM DATE OF PURCHASE. SOME STATES IN THE U.S., SOME CANADIAN PROVINCES DO NOT ALLOW LIMITATIONS ON HOW LONG AN IMPLIED WARRANTY LASTS, SO THE ABOVE LIMITATION MAY NOT APPLY TO YOU.

IN NO EVENT SHALL SELLER BE LIABLE FOR ANY INCIDENTAL OR CONSEQUENTIAL DAMAGES (INCLUDING BUT NOT LIMITED TO LIABILITY FOR LOSS OF PROFITS) ARISING FROM THE SALE OR USE OF THIS PRODUCT. SOME STATES IN THE U.S. AND SOME CANADIAN PROVINCES DO NOT ALLOW THE EXCLUSION OR LIMITATION OF INCIDENTAL OR CONSEQUENTIAL DAMAGES, SO THE ABOVE LIMITATION OR EXCLUSION MAY NOT APPLY TO YOU.

THIS LIMITED WARRANTY GIVES YOU SPECIFIC LEGAL RIGHTS, AND YOU MAY ALSO HAVE OTHER RIGHTS WHICH VARY FROM STATE TO STATE IN THE U.S., PROVINCE TO PROVINCE IN CANADA AND FROM COUNTRY TO COUNTRY.

THIS LIMITED WARRANTY APPLIES ONLY TO PORTABLE AND BENCHTOP ELECTRIC TOOLS SOLD WITHIN THE UNITED STATES OF AMERICA, CANADA AND THE COMMONWEALTH OF PUERTO RICO. FOR WARRANTY COVERAGE WITHIN OTHER COUNTRIES, CONTACT YOUR LOCAL BOSCH DEALER OR IMPORTER.

GARANTIE LIMITÉE DES OUTILS ÉLECTRIQUES PORTATIFS ET D'ÉTABLI BOSCH

Robert Bosch Tool Corporation (le « vendeur ») garantit à l'acheteur initial seulement que tous les outils électriques portatifs et d'établi BOSCH seront exempts de vices de matériaux ou d'exécution pendant une période d'un an depuis la date d'achat. LA SEULE OBLIGATION DU VENDEUR ET LE SEUL RECOURS DE L'ACHETEUR sous la présente garantie limitée, et en autant que la loi le permette sous toute garantie ou condition implicite qui en découlerait, sera l'obligation de remplacer ou réparer gratuitement les pièces défectueuses matériellement ou comme fabrication, pourvu que lesdites défectuosités ne soient pas attribuables à un usage abusif ou à quelque réparation bricolée par quelqu'un d'autre que le vendeur ou le personnel d'une station-service agréée. Pour présenter une réclamation en vertu de cette garantie limitée, vous devez renvoyer l'outil électrique portatif ou d'établi complet, port payé, à tout centre de service agréé ou centre de service usine. Veuillez consulter votre annuaire téléphonique pour les adresses.

LA PRÉSENTE GARANTIE NE S'APPLIQUE PAS AUX ACCESSOIRES TELS QUE LAMES DE SCIES CIRCULAIRES, MÊCHES DE PERCEUSES, FERS DE TOUPIES, LAMES DE SCIES SAUTEUSES, COURROIES DE PONÇAGE, MEULES ET AUTRES ARTICLES DU GENRE.

TOUTE GARANTIE IMPLICITE SERA LIMITÉE COMME DURÉE À UN AN À COMPTER DE LA DATE D'ACHAT. CERTAINS ÉTATS AMÉRICAINS, CERTAINES PROVINCES CANADIENNES N'ADMETTANT PAS LE PRINCIPE DE LA LIMITATION DE LA DURÉE DES GARANTIES IMPLICITES, IL EST POSSIBLE QUE LES LIMITATIONS CI-DESSUS NE S'APPLIQUENT PAS À VOTRE CAS.

EN AUCUN CAS LE VENDEUR NE SAURAIT ÊTRE TENU POUR RESPONSABLE DES INCIDENTS OU DOMMAGES INDIRECTS (INCLUANT, MAIS NE SE LIMITANT PAS AUX PERTES DE PROFITS) CONSÉCUTIFS À LA VENTE OU L'USAGE DE CE PRODUIT. CERTAINS ÉTATS AMÉRICAINS ET CERTAINES PROVINCES CANADIENNES N'ADMETTANT PAS LE PRINCIPE DE LA LIMITATION NI L'EXCLUSION DES DOMMAGES INDIRECTS ET CONSÉQUENTIELS, IL EST POSSIBLE QUE LES LIMITATIONS OU EXCLUSIONS CI-DESSUS NE S'APPLIQUENT PAS À VOTRE CAS.

LA PRÉSENTE GARANTIE VOUS ACCORDE DES DROITS BIEN DÉTERMINÉS, Y COMPRIS POSSIBLEMENT CERTAINS DROITS VARIABLES DANS LES DIFFÉRENTS ÉTATS AMÉRICAINS, PROVINCES CANADIENNE ET DE PAYS À PAYS.

CETTE GARANTIE LIMITÉE NE S'APPLIQUE QU'AUX OUTILS ÉLECTRIQUES PORTATIFS ET D'ÉTABLI VENDUS AUX ÉTATS-UNIS D'AMÉRIQUE, AU CANADA ET AU COMMONWEALTH DE PORTO RICO. POUR COUVERTURE DE GARANTIE DANS LES AUTRES PAYS, CONTACTEZ VOTRE IMPORTATEUR OU REVENDEUR BOSCH LOCAL.

GARANTIA LIMITADA PARA HERRAMIENTAS MECANICAS PORTATILES Y PARA TABLERO DE BANCO BOSCH

Robert Bosch Tool Corporation ("el Vendedor") garantiza, únicamente al comprador original, que todas las herramientas mecánicas portátiles y para tablero de banco BOSCH estarán libres de defectos de material o de fabricación durante un período de un año a partir de la fecha de compra. LA ÚNICA OBLIGACION DEL VENDEADOR Y EL RECURSO EXCLUSIVO QUE USTED TIENE bajo esta Garantía Limitada y, hasta donde la ley lo permita, bajo cualquier garantía o condición implicita por ley, consistirá en la reparación o sustitución sin costo de las piezas que presenten defectos de material o de fabricación y que no hayan sido utilizadas incorrectamente, manejadas descuidadamente o reparadas incorrectamente por personas que no sean el Vendedor o una Estación de servicio autorizada. Para efectuar una reclamación bajo esta Garantía Limitada, usted debe devolver el producto, que consiste en la herramienta mecánica portátil o para tablero de banco completa, con el transporte pagado, a cualquier Centro de servicio de fábrica o Estación de servicio autorizada. Para Estaciones de servicio autorizadas de herramientas mecánicas BOSCH, por favor, consulte el directorio telefónico.

ESTA GARANTIA LIMITADA NO SE APLICA A ARTICULOS ACCESORIOS TALES COMO HOJAS PARA SIERRAS CIRCULARES, BROCAS PARA TALADROS, BROCAS PARA FRESADORAS, HOJAS PARA SIERRAS DE VAIVEN, CORREAS PARA LIJAR, RUEDAS DE AMOLAR Y OTROS ARTICULOS RELACIONADOS.

TODAS LAS GARANTIAS IMPLICITAS TENDRAN UNA DURACION LIMITADA A UN AÑO A PARTIR DE LA FECHA DE COMPRA. ALGUNOS ESTADOS DE LOS EE.UU. Y ALGUNAS PROVINCIAS CANADIENSES NO PERMITEN LIMITACIONES EN CUANTO A LA DURACION DE UNA GARANTIA IMPLICITA, POR LO QUE ES POSIBLE QUE LA LIMITACION ANTERIOR NO SEA APLICABLE EN EL CASO DE USTED.

EL VENDEADOR NO SERA RESPONSABLE EN NINGUN CASO DE NINGUN DAÑO INCIDENTAL O EMERGENTE (INCLUYENDO PERO NO LIMITADO A RESPONSABILIDAD POR PERDIDA DE BENEFICIOS) QUE SE PRODUZCA COMO CONSECUENCIA DE LA VENTA O UTILIZACION DE ESTE PRODUCTO. ALGUNOS ESTADOS DE LOS EE.UU. Y ALGUNAS PROVINCIAS CANADIENSES NO PERMITEN LA EXCLUSION O LIMITACION DE LOS DAÑOS INCIDENTALES O EMERGENTES, POR LO QUE ES POSIBLE QUE LA LIMITACION O EXCLUSION ANTERIOR NO SEA APLICABLE EN EL CASO DE USTED.

ESTA GARANTIA LIMITADA LE CONFIERE A USTED DERECHOS LEGALES ESPECIFICOS Y ES POSIBLE QUE USTED TAMBIEN TENGA OTROS DERECHOS QUE VARIAN DE ESTADO A ESTADO EN LOS EE.UU., DE PROVINCIA A PROVINCIA EN CANADA Y DE UN PAIS A OTRO.

ESTA GARANTIA LIMITADA SE APLICA SOLAMENTE A HERRAMIENTAS ELECTRICAS PORTATILES Y PARA TABLERO DE BANCO VENDIDAS EN LOS ESTADOS UNIDOS DE AMERICA, CANADA Y EL ESTADO LIBRE ASOCIADO DE PUERTO RICO. PARA COBERTURA DE GARANTIA EN OTROS PAISES, PONGASE EN CONTACTO CON SU DISTRIBUIDOR O IMPORTADOR LOCAL DE BOSCH.

© Robert Bosch Tool Corporation 1800 W. Central Road Mt. Prospect, IL 60056-2230

Exportado por: Robert Bosch Tool Corporation Mt. Prospect, IL 60056-2230, E.U.A.

Importado en México por: Robert Bosch, S.A. de C.V., Calle Robert Bosch No. 405, Zona Industrial, Toluca, Edo. de México, C.P. 50070, Tel. (722) 2792300



2 6 1 0 0 1 4 4 1 5