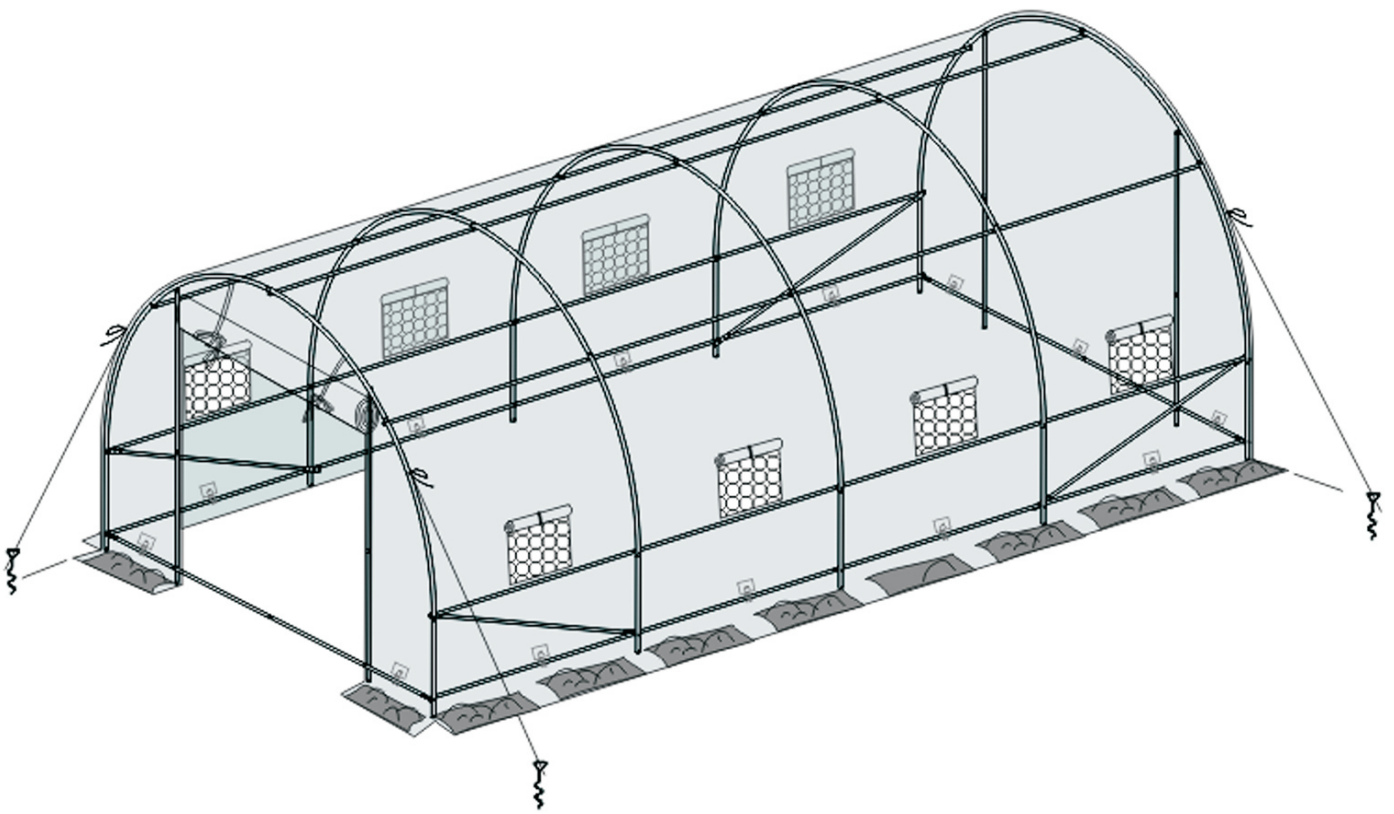




845-233

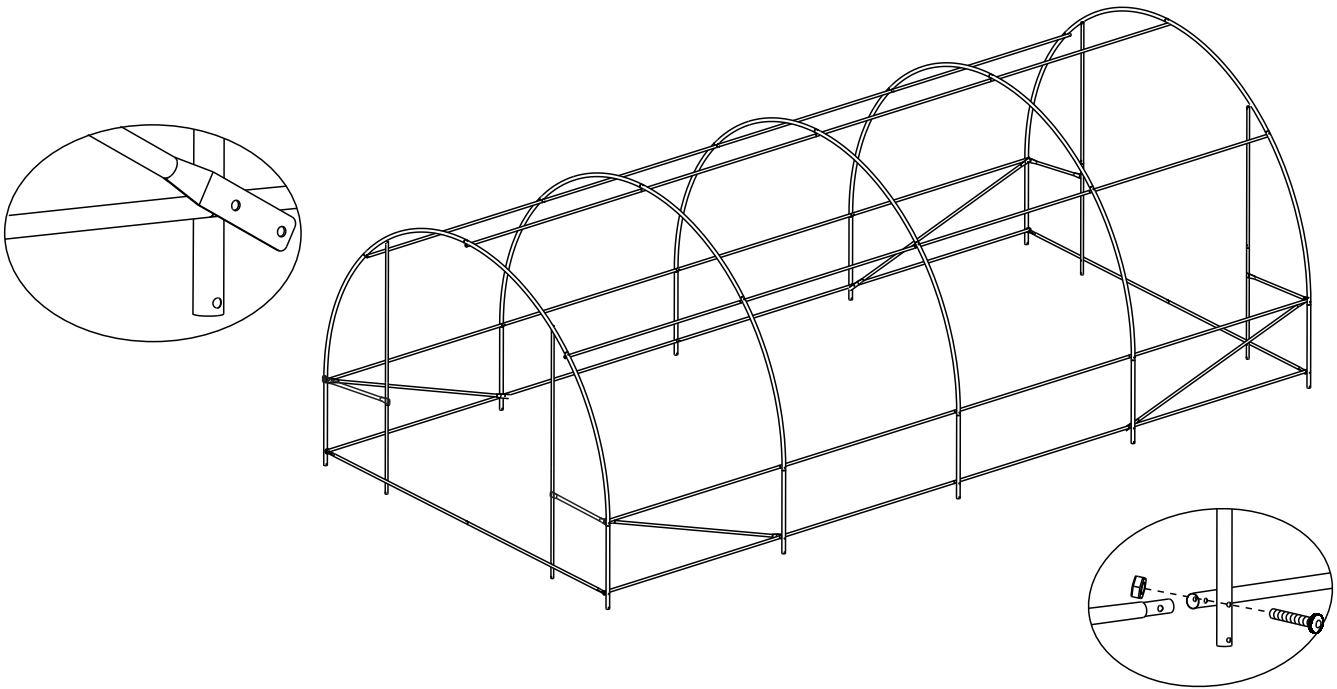


Please read these instructions and warranty information carefully before use and keep them properly for future reference.

OPERATING INSTRUCTIONS

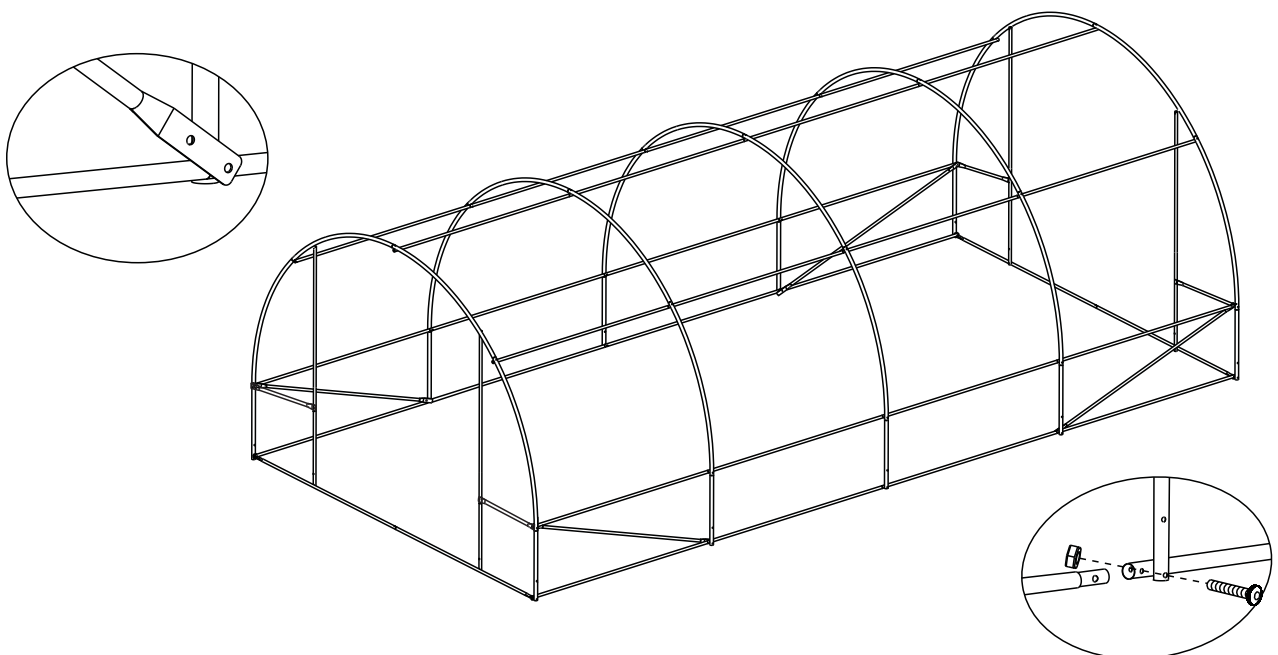
TYPE A

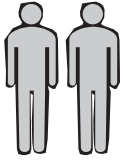
TYPE A: IT'S SUITABLE FOR BUILDING ON LAWN.



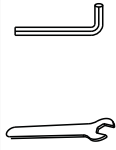
TYPE B



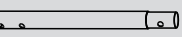

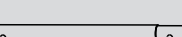
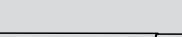
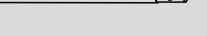
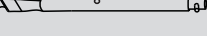
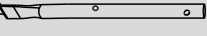

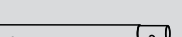
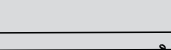




TYPE B: IT'S SUITABLE FOR BUILDING ON GROUND.







ASSEMBLY REQUIRED
2 PERSONS X 2HRS



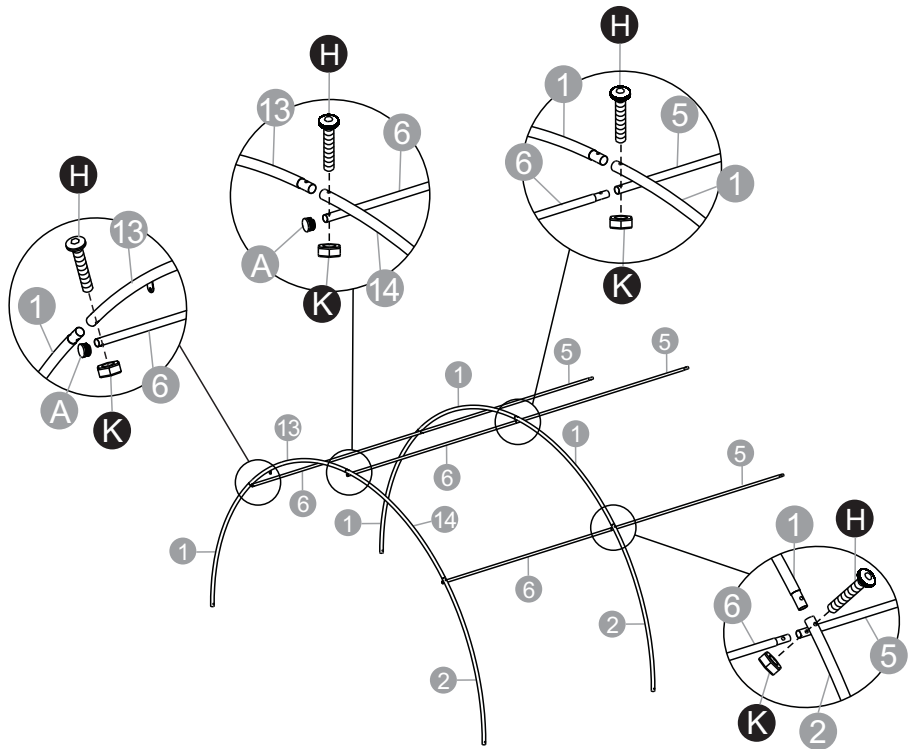
- 1  x11
- 2  x5
- 3  x10
- 4  x7
- 5  x14
- 6  x7
- 7  x2
- 8  x2
- 10  x4
- 11  x4
- 12  x4
- 13  x1
- 14  x1
- 15  x1
- 16  x1
- 17  x4

H  x39 **K**  x47
M6*50mm

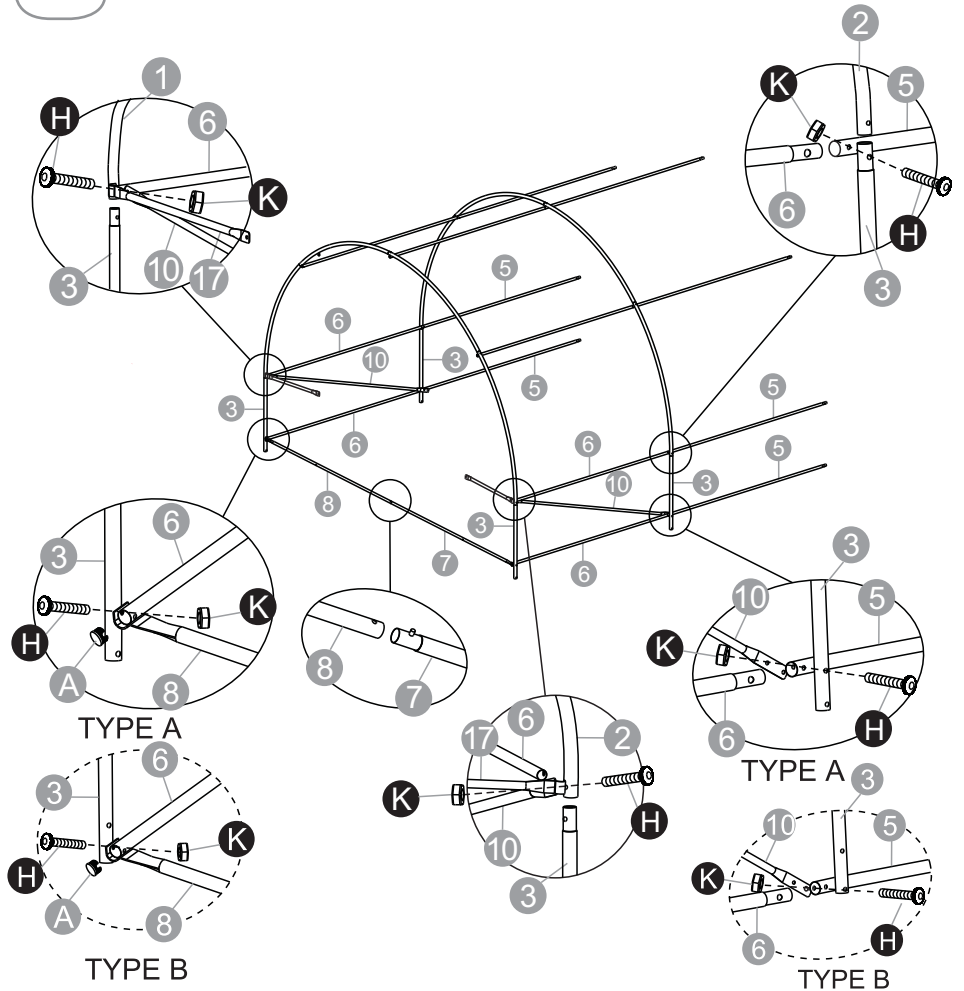
H1  x8
M6*25mm

- A**  x14
- B**  x4
- C**  x4
- D**  x1
- E**  x13
- F**  x13
- G**  x2

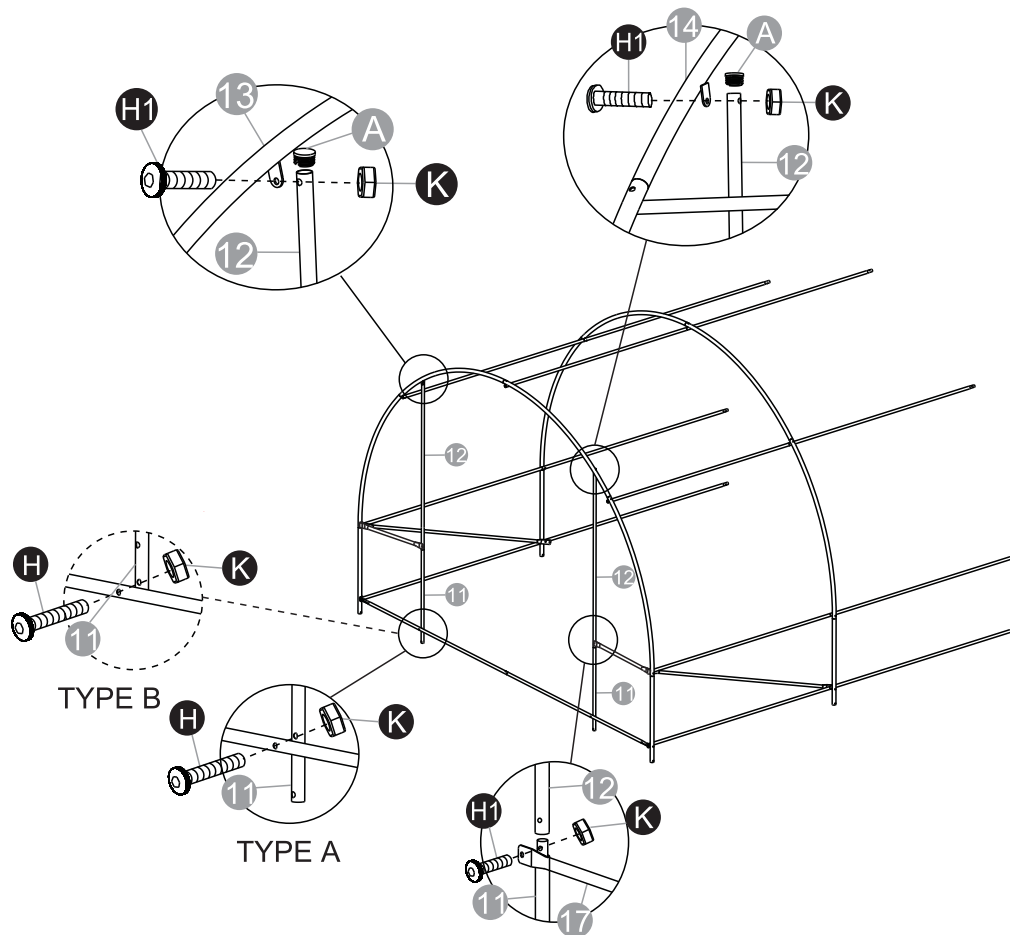
STEP 1



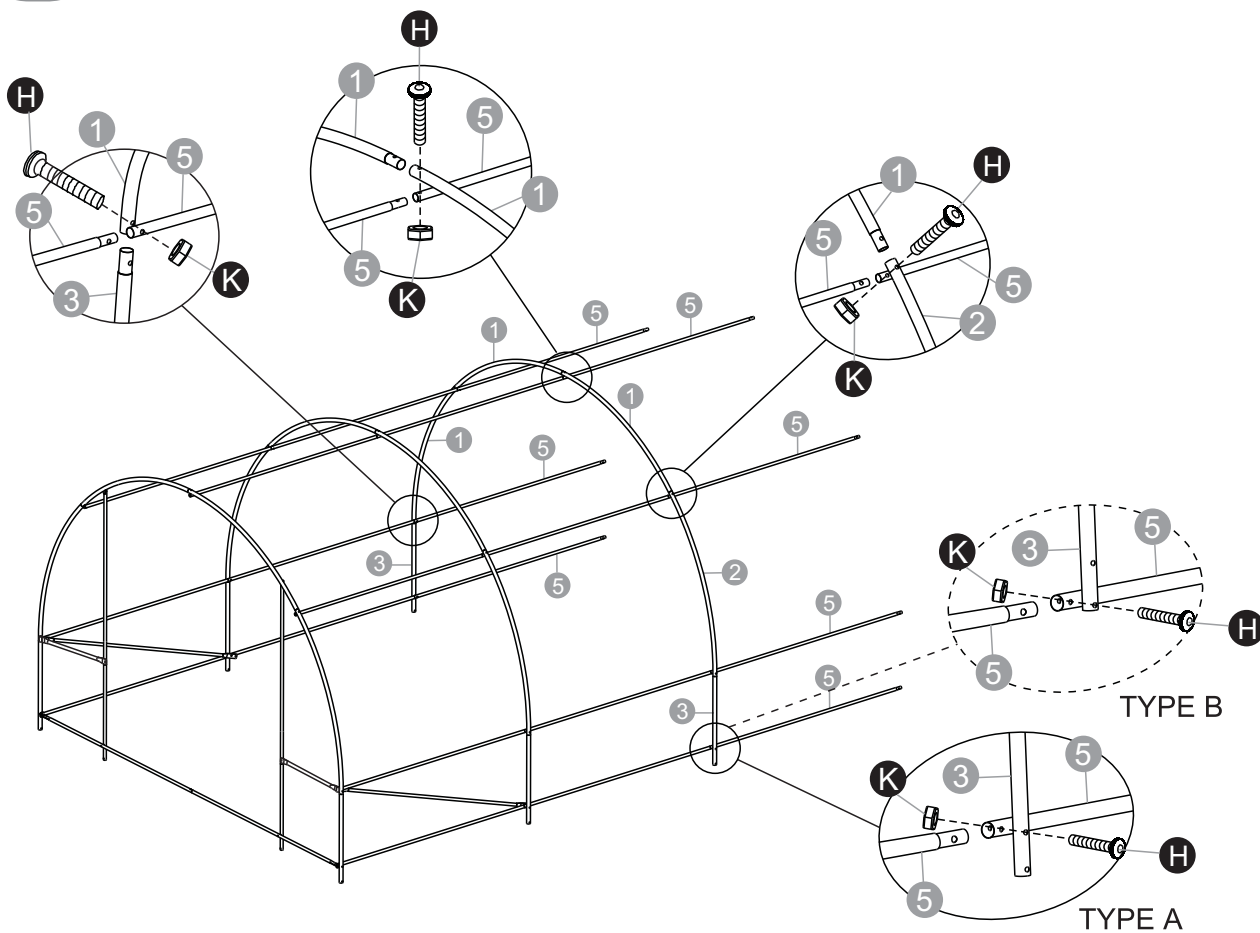
STEP 2



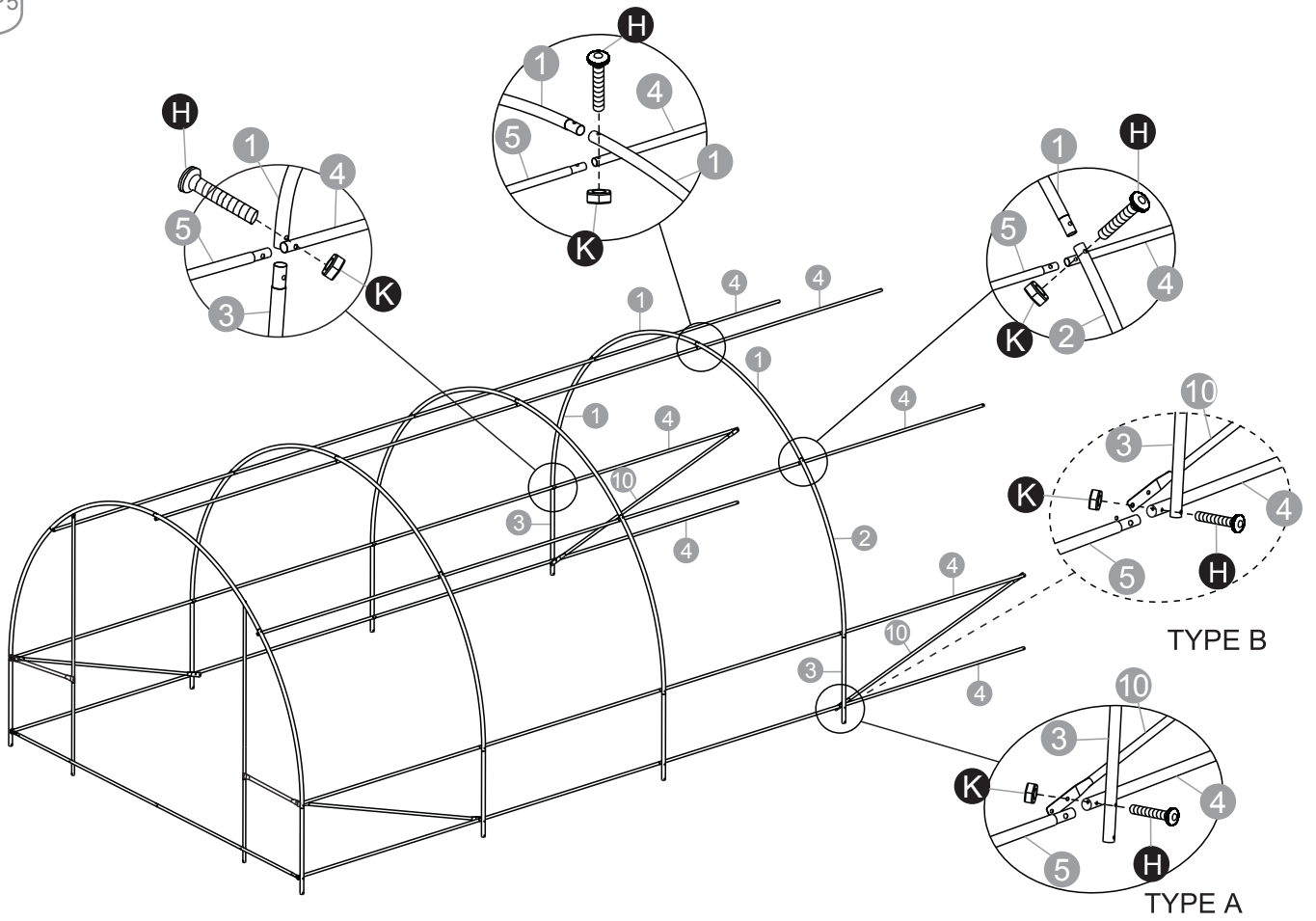
STEP3



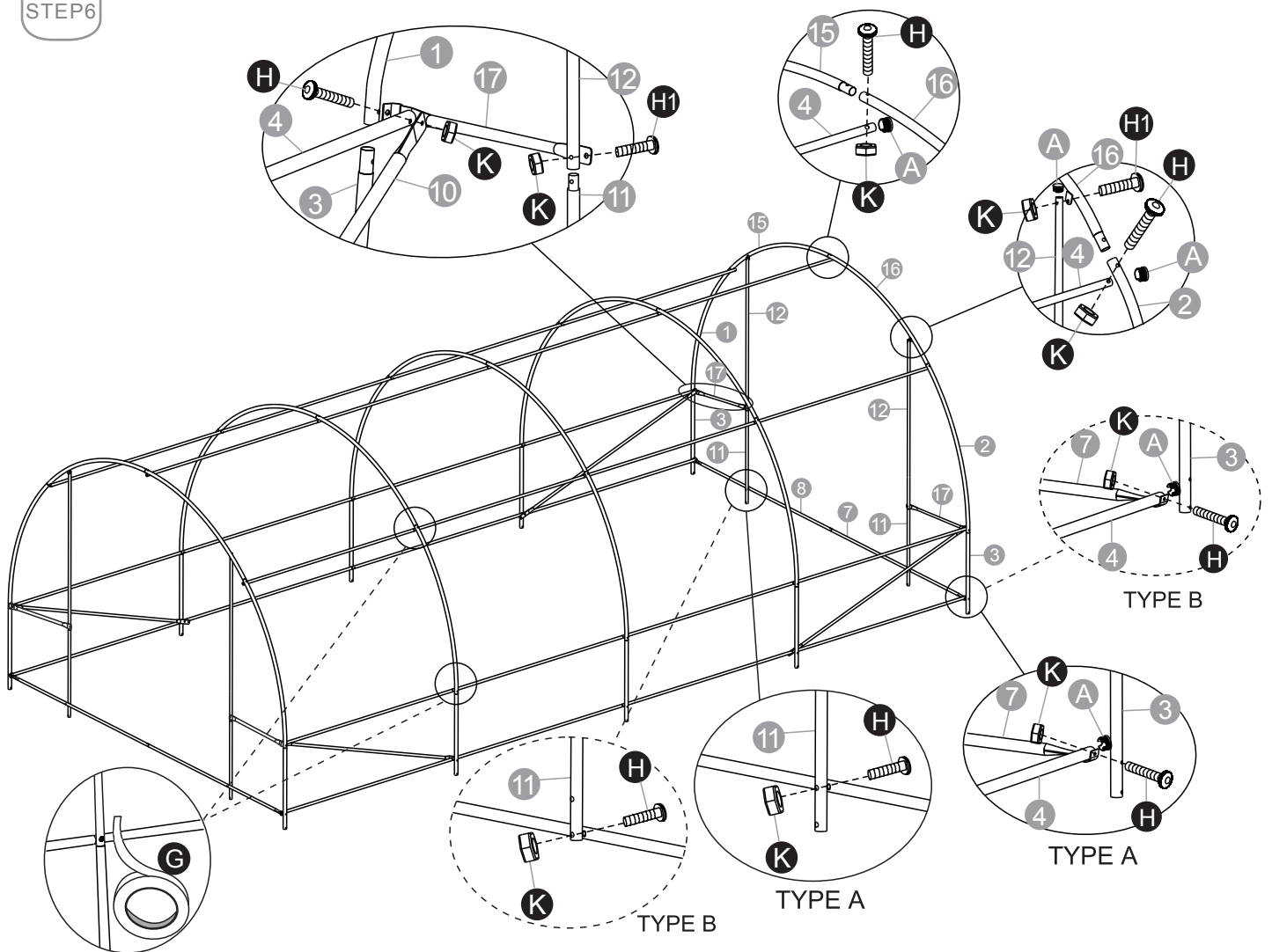
STEP4



STEP5

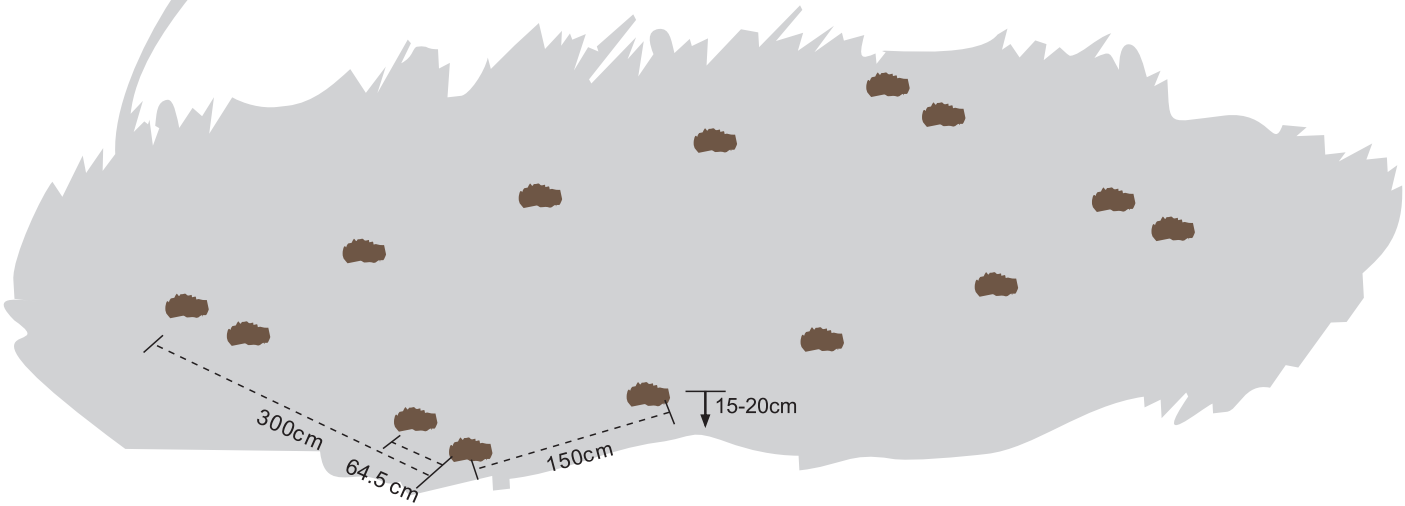
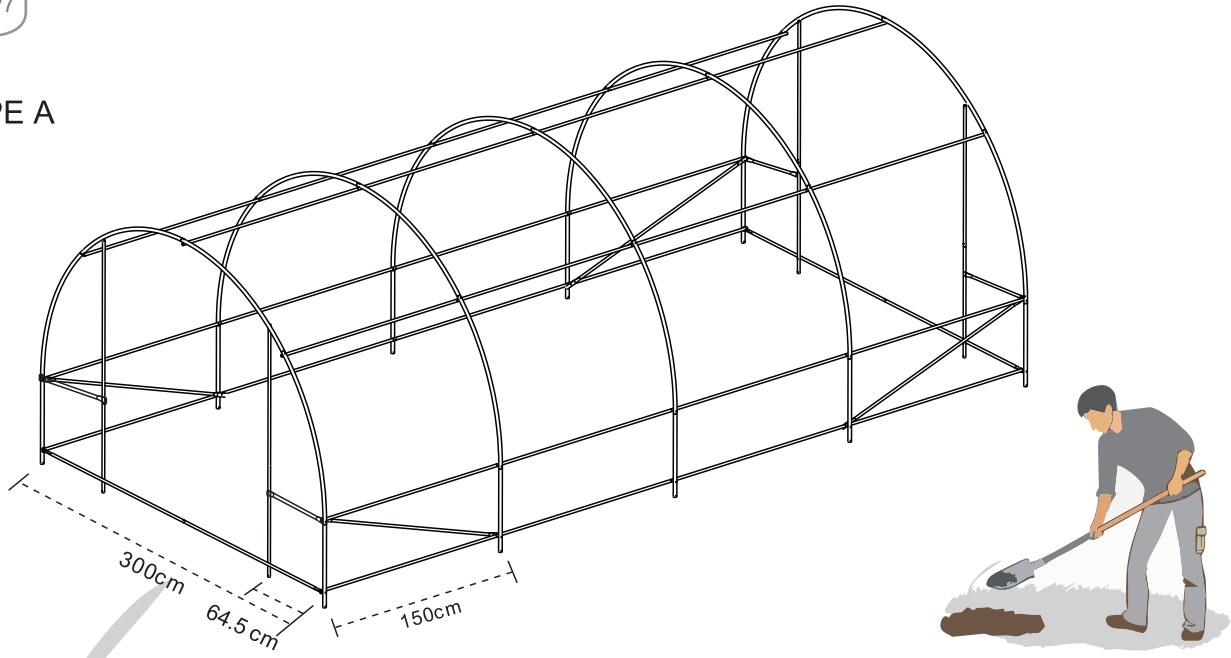


STEP6



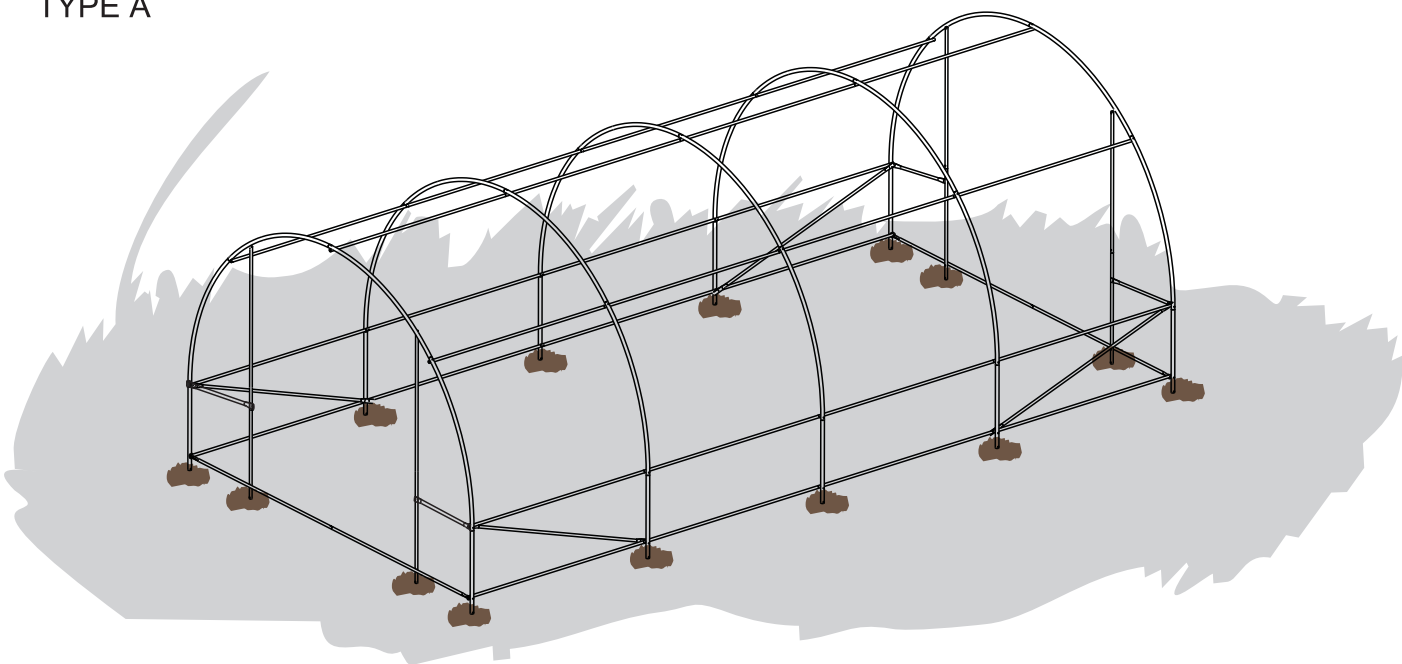
STEP7

TYPE A

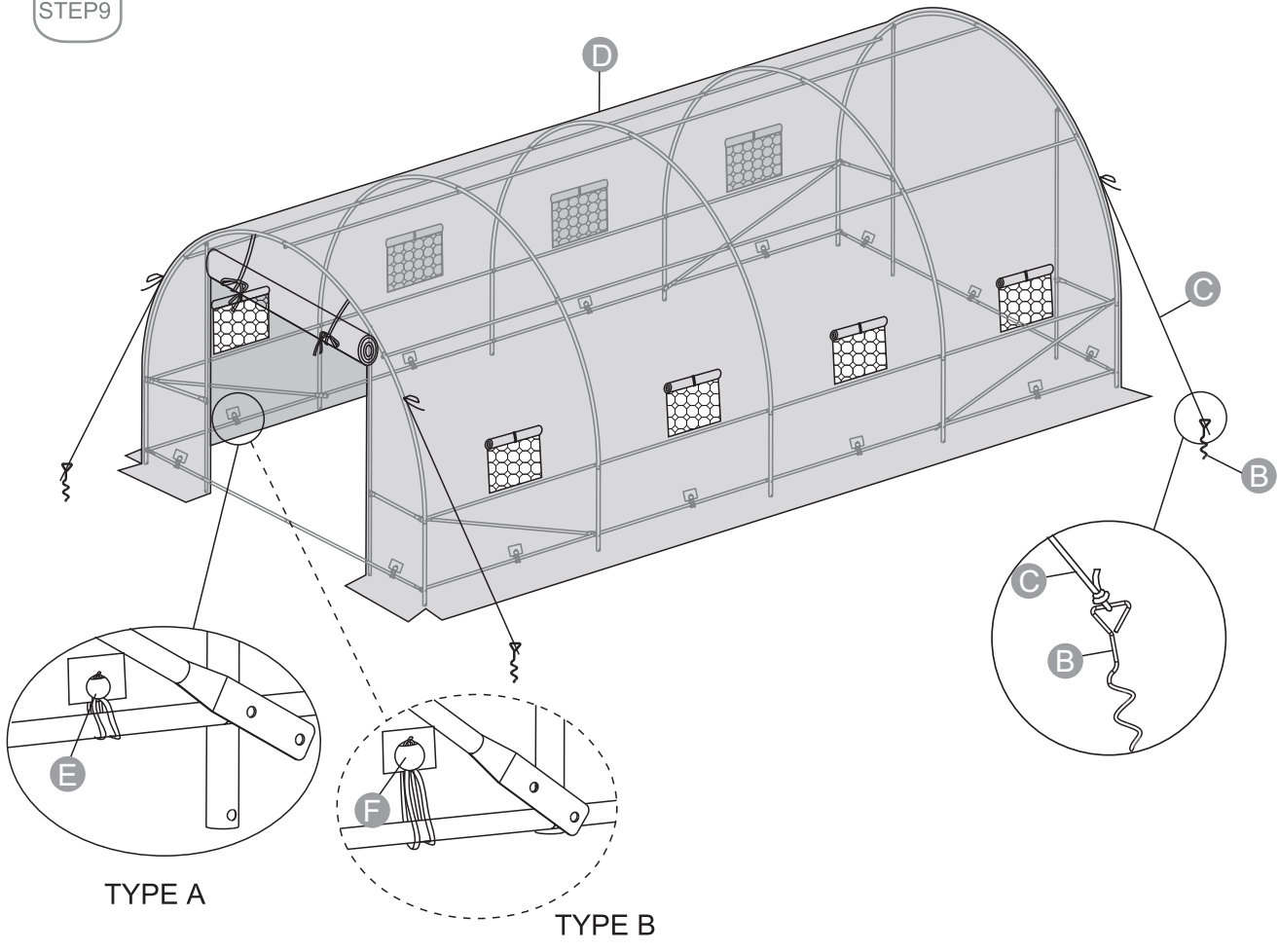


STEP8

TYPE A



STEP9



STEP10

