



# OPERATOR'S MANUAL

## MANUEL D'UTILISATION

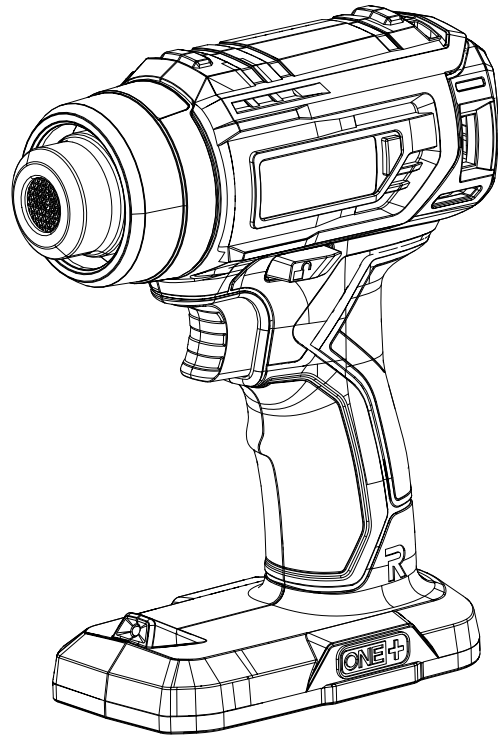
## MANUAL DEL OPERADOR

### 18 VOLT HEAT GUN

### PISTOLET THERMIQUE DE 18 V

### PISTOLA DE AIRE CALIENTE DE 18 V

### P3150



**INCLUDES:** Heat Gun, Concentrator Nozzle, Deflector Nozzle, Operator's Manual

**INCLUT :** Pistolet thermique, embout concentrateur, embout déflecteur, manuel d'utilisation

**INCLUYE:** Pistola de aire caliente, boquilla concentradora, boquilla deflector, manual del operador

#### TABLE OF CONTENTS

\*\*\*\*\*

- General Safety Warnings.....2-3
- Heat Gun Safety Warnings.....3-4
- Symbols.....5
- Features.....6
- Assembly.....6
- Operation.....6-7
- Maintenance.....8
- Illustrations.....9
- Parts Ordering and Service .....Back page

#### TABLE DES MATIÈRES

\*\*\*\*\*

- Avertissements de sécurité générales.....2-3
- Avertissements de sécurité relatifs pistolet thermique.....3-4
- Symboles.....5
- Caractéristiques .....6
- Assemblage.....6
- Utilisation .....6-7
- Entretien .....8
- Illustrations .....9
- Commande de pièces et dépannage .....Page arrière

#### ÍNDICE DE CONTENIDO

\*\*\*\*\*

- Advertencias de seguridad generales .....2-3
- Advertencias de seguridad pistola de aire caliente.....3-4
- Símbolos.....5
- Características.....6
- Armado .....6
- Funcionamiento .....6-7
- Mantenimiento.....8
- Ilustraciones.....9
- Pedidos de piezas y servicio .....Pág. posterior

**⚠ WARNING:** To reduce the risk of injury, the user must read and understand the operator's manual before using this product.

**⚠ AVERTISSEMENT :** Pour réduire les risques de blessures, l'utilisateur doit lire et veiller à bien comprendre le manuel d'utilisation avant d'employer ce produit.

**⚠ ADVERTENCIA:** Para reducir el riesgo de lesiones, el usuario debe leer y comprender el manual del operador antes de usar este producto.

**SAVE THIS MANUAL FOR FUTURE REFERENCE**

**CONSERVER CE MANUEL POUR FUTURE RÉFÉRENCE**

**GUARDE ESTE MANUAL PARA FUTURAS CONSULTAS**

# GENERAL SAFETY WARNINGS



## WARNING

**Read all safety warnings, instructions, illustrations and specifications provided with this power tool.**

Failure to follow all instructions listed below may result in electric shock, fire and/or serious injury.

**Save all warnings and instructions for future reference.**

The term “power tool” in the warnings refers to your mains-operated (corded) power tool or battery-operated (cordless) power tool.

## WORK AREA SAFETY

- **Keep work area clean and well lit.** Cluttered or dark areas invite accidents.
- **Do not operate power tools in explosive atmospheres, such as in the presence of flammable liquids, gases or dust.** Power tools create sparks which may ignite the dust or fumes.
- **Keep children and bystanders away while operating a power tool.** Distractions can cause you to lose control.

## ELECTRICAL SAFETY

- **Do not expose power tools to rain or wet conditions.** Water entering a power tool will increase the risk of electric shock.
- **Use this product only with batteries and chargers listed in tool/appliance/battery pack/charger correlation supplement 987000-432.**

## PERSONAL SAFETY

- **Stay alert, watch what you are doing and use common sense when operating a power tool. Do not use a power tool while you are tired or under the influence of drugs, alcohol or medication.** A moment of inattention while operating power tools may result in serious personal injury.
- **Use personal protective equipment. Always wear eye protection.** Protective equipment such as dust mask, non-skid safety shoes, hard hat, or hearing protection used for appropriate conditions will reduce personal injuries.
- **Prevent unintentional starting. Ensure the switch is in the off-position before connecting to power source and/or battery pack, picking up or carrying the tool.** Carrying power tools with your finger on the switch or energizing power tools that have the switch on invites accidents.
- **Do not overreach. Keep proper footing and balance at all times.** This enables better control of the power tool in unexpected situations.

- **Dress properly. Do not wear loose clothing or jewelry. Keep your hair, clothing and gloves away from moving parts.** Loose clothes, jewelry or long hair can be caught in moving parts.
- **Do not let familiarity gained from frequent use of tools allow you to become complacent and ignore tool safety principles.** A careless action can cause severe injury within a fraction of a second.
- **Do not wear loose clothing or jewelry.** Contain long hair. Loose clothes, jewelry, or long hair can be drawn into air vents.
- **Do not use on a ladder or unstable support.** Stable footing on a solid surface enables better control of the power tool in unexpected situations.

## POWER TOOL USE AND CARE

- **Do not force the power tool. Use the correct power tool for your application.** The correct power tool will do the job better and safer at the rate for which it was designed.
- **Do not use the power tool if the switch does not turn it on and off.** Any power tool that cannot be controlled with the switch is dangerous and must be repaired.
- **Store idle power tools out of the reach of children and do not allow persons unfamiliar with the power tool or these instructions to operate the power tool.** Power tools are dangerous in the hands of untrained users.
- **Maintain power tools and accessories. Check for misalignment or binding of moving parts, breakage of parts and any other condition that may affect the power tool's operation. If damaged, have the power tool repaired before use.** Many accidents are caused by poorly maintained power tools.
- **Use the power tool, accessories and tool bits etc. in accordance with these instructions, taking into account the working conditions and the work to be performed.** Use of the power tool for operations different from those intended could result in a hazardous situation.
- **Keep handles and grasping surfaces dry, clean and free from oil and grease.** Slippery handles and grasping surfaces do not allow for safe handling and control of the tool in unexpected situations.

## BATTERY TOOL USE AND CARE

- **Recharge only with the charger specified by the manufacturer.** A charger that is suitable for one type of battery pack may create a risk of fire when used with another battery pack.

## GENERAL SAFETY WARNINGS

- **Use power tools only with specifically designated battery packs.** Use of any other battery packs may create a risk of injury and fire.
- **When battery pack is not in use, keep it away from other metal objects, like paper clips, coins, keys, nails, screws or other small metal objects, that can make a connection from one terminal to another.** Shorting the battery terminals together may cause burns or a fire.
- **Under abusive conditions, liquid may be ejected from the battery; avoid contact. If contact accidentally occurs, flush with water. If liquid contacts eyes, additionally seek medical help.** Liquid ejected from the battery may cause irritation or burns.
- **Do not use a battery pack or tool that is damaged or modified.** Damaged or modified batteries may exhibit unpredictable behavior resulting in fire, explosion, or risk of injury.
- **Do not expose a battery pack or tool to fire or excessive temperature.** Exposure to fire or temperature above 265°F may cause explosion.
- **Follow all charging instructions and do not charge the battery pack or tool outside the temperature range specified in the instructions.** Charging improperly or at temperatures outside the specified range may damage the battery and increase the risk of fire.

### SERVICE

- **Have your power tool serviced by a qualified repair person using only identical replacement parts.** This will ensure that the safety of the power tool is maintained.
- **Never service damaged battery packs.** Service of battery packs should only be performed by the manufacturer or authorized service provider.

## HEAT GUN SAFETY WARNINGS

When using heat guns, basic safety precautions should always be followed:

### READ ALL INSTRUCTIONS.

- **The nozzle of the heat gun becomes very hot during operation and should not be touched until the tool has cooled.** Always hold the tool by the insulated gripping surface to reduce the risk of serious personal injury.
- **Heat guns produce very high temperatures and must be used with caution to prevent combustible material from igniting. Keep tool in constant motion; do not stop or dwell in one spot.** Following this rule will reduce the risk of fire or serious personal injury.
- **Excessive heat can generate fumes which may be dangerous when inhaled. Wear a dust respirator mask or dual filter respirator mask when using the heat gun.** Following this rule will reduce the risk of serious personal injury.
- **Keep a fully charged fire extinguisher close at hand for emergency use.** Following this rule will reduce the risk of fire or serious injury.
- **Do not leave the heat gun unattended while running or cooling down. Always set tool on a flat, level surface so nozzle tip is directed upwards, away from supporting surface, while running or cooling down.** Following this rule will reduce the risk of fire or serious injury.
- **Know your power tool. Read operator's manual carefully. Learn its applications and limitations, as well as the specific potential hazards related to this tool.** Following this rule will reduce the risk of electric shock, fire, or serious injury.
- **Always wear eye protection marked to comply with ANSI Z87.1.** Following this rule will reduce the risk of serious personal injury.
- Before using, check all parts for proper function and damage to component parts.
- Do not use this torch to heat, mold or bend plastic sheets, moulding or tubing.



### WARNING:

This heat gun generates extremely high temperatures. Hidden areas such as behind walls, ceilings, floors, soffit boards and other panels may contain flammable materials that could be ignited by the heat gun when working in these locations. The ignition of these materials may not be readily apparent and could result in property damage and injury to persons. When working in these locations, keep the torch moving in a back-and-forth motion. Linger or pausing in one spot could ignite the panel or the material behind it.

# HEAT GUN SAFETY WARNINGS

## **WARNING:**

Extreme care should be taken when stripping paint. The peelings, residue and vapors of paint may contain lead, which is poisonous. Any pre-1977 paint may contain lead and paint applied to homes prior to 1950 is likely to contain lead. Once deposited on surfaces, hand to mouth contact can result in the ingestion of lead. Exposure to even low levels of lead can cause irreversible brain and nervous system damage; young and unborn children are particularly vulnerable. Before beginning any paint removal process you should determine whether the paint you are removing contains lead. This can be done by your local health department or by a professional who uses a paint analyzer to check the lead content of the paint to be removed. **LEAD-BASED PAINT SHOULD ONLY BE REMOVED BY A PROFESSIONAL AND SHOULD NOT BE REMOVED USING A TORCH.**

## **WARNING:**

Do not direct hot tip or nozzle toward clothing, hands, or other body parts. Intense heat from tip or nozzle can cause serious burns or cause clothing to ignite.




### **Persons removing paint should follow these guidelines:**

- Move the work piece outdoors. If this is not possible, keep the work area well ventilated. Open the windows and put an exhaust fan in one of them. Be sure the fan is moving the air from inside to outside.
  - Remove or cover any carpets, rugs, furniture, clothing, cooking utensils and air ducts.
  - Place drop cloths in the work area to catch any paint chips or peelings. Wear protective clothing such as extra work shirts, overalls and hats.
- Work in one room at a time. Furnishings should be removed or placed in the center of the room and covered. Work areas should be sealed off from the rest of the dwelling by sealing doorways with drop cloths.
  - Children, pregnant or potentially pregnant women and nursing mothers should not be present in the work area until the work is done and all clean up is complete.
  - Wear a dust respirator mask or a dual filter (dust and fume) respirator mask which has been approved by the Occupational Safety and Health Administration (OSHA), the National Institute of Safety and Health (NIOSH), or the United States Bureau of Mines. These masks and replaceable filters are readily available at major hardware stores. Be sure the mask fits. Beards and facial hair may keep masks from sealing properly. Change filters often. **DISPOSABLE PAPER MASKS ARE NOT ADEQUATE.**
  - Use caution when operating the heat gun. Keep the heat gun moving, as excessive heat will generate fumes, which can be inhaled by the operator.
  - Keep food and drink out of the work area. Wash hands, arms and face and rinse mouth before eating or drinking. Do not smoke or chew gum or tobacco in the work area.
  - Clean up all removed paint and dust by wet mopping the floors. Use a wet cloth to clean all walls, sills and any other surface where paint or dust is clinging. **DO NOT SWEEP, DRY DUST OR VACUUM.** Use a high phosphate detergent or trisodium phosphate (TSP) to wash and mop areas.
  - At the end of each work session put the paint chips and debris in a double plastic bag, close it with tape or twist ties and dispose of properly.
  - Remove protective clothing and work shoes in the work area to avoid carrying dust into the rest of the dwelling. Wash work clothes separately. Wipe shoes off with a wet rag that is then washed with the work clothes. Wash hair and body thoroughly with soap and water.







**SAVE THESE INSTRUCTIONS**

# SYMBOLS

The following signal words and meanings are intended to explain the levels of risk associated with this product.

SYMBOL	SIGNAL	MEANING
	<b>DANGER:</b>	Indicates a hazardous situation, which, if not avoided, will result in death or serious injury.
	<b>WARNING:</b>	Indicates a hazardous situation, which, if not avoided, could result in death or serious injury.
	<b>CAUTION:</b>	Indicates a hazardous situation, that, if not avoided, may result in minor or moderate injury.
	<b>NOTICE:</b>	(Without Safety Alert Symbol) Indicates information considered important, but not related to a potential injury (e.g. messages relating to property damage).

Some of the following symbols may be used on this product. Please study them and learn their meaning. Proper interpretation of these symbols will allow you to operate the product better and safer.

SYMBOL	NAME	DESIGNATION/EXPLANATION
	Safety Alert	Indicates a potential personal injury hazard.
	Read Operator's Manual	To reduce the risk of injury, user must read and understand operator's manual before using this product.
	Eye Protection	Always wear eye protection with side shields marked to comply with ANSI Z87.1.
	Wet Conditions Alert	Do not expose to rain or use in damp locations.
	Hot Surface	To reduce the risk of injury or damage, avoid contact with any hot surface.
	Recycle Symbol	This product uses lithium-ion (Li-ion) batteries. Local, state or federal laws may prohibit disposal of batteries in ordinary trash. Consult your local waste authority for information regarding available recycling and/or disposal options.
V	Volts	Voltage
min	Minutes	Time
—	Direct Current	Type or a characteristic of current
.../min	Per Minute	Revolutions, strokes, surface speed, orbits etc., per minute

# FEATURES

## PRODUCT SPECIFICATIONS

Maximum Temperature.....	875 °F
Power Source.....	18 V Battery Pack

# ASSEMBLY

### **WARNING:**

Do not use this product if it is not completely assembled or if any parts appear to be missing or damaged. Use of a product that is not properly and completely assembled or with damaged or missing parts could result in serious personal injury.

### **WARNING:**

Do not attempt to modify this product or create accessories or attachments not recommended for use with this product. Any such alteration or modification is misuse and could result in a hazardous condition leading to possible serious personal injury.

If any parts are damaged or missing, please call 1-800-525-2579 for assistance.

# OPERATION

### **WARNING:**

Do not allow familiarity with this product to make you careless. Remember that a careless fraction of a second is sufficient to inflict serious injury.

### **WARNING:**

Always remove battery pack from the tool when you are assembling parts, making adjustments, cleaning, or when not in use. Removing battery pack will prevent accidental starting that could cause serious personal injury.

### **WARNING:**

Always wear eye protection with side shields marked to comply with ANSI Z87.1. Failure to do so could result in objects being thrown into your eyes and other possible serious injuries.

### **WARNING:**

Do not use any attachments or accessories not recommended by the manufacturer of this product. The use of attachments or accessories not recommended can result in serious personal injury.

## APPLICATIONS

You may use this product for the purposes listed below:

- Soften paint, caulking and putty for easier removal
- Soften adhesives to help remove stickers, floor tiles, wallpaper, etc.
- Shrink tubing for electrical work
- Shrink plastic film for wrapping or weatherproofing
- Loosen rusted nuts, bolts, and fittings

## INSTALLING / REMOVING BATTERY PACK

See Figure 1, page 9.

- Insert the battery pack into the product as shown.
- Make sure the latches on each side of the battery pack snap in place and that battery pack is secured in the product before beginning operation.
- Depress the latches to remove the battery pack.

For complete charging instructions, see the operator's manuals for your battery pack and charger.

# OPERATION

## INSTALLING ATTACHMENTS

See Figures 2 - 3, page 9.

Attachments are included with the heat gun to expand its capabilities. Attachments are installed simply by placing them on the end of the heat gun's nozzle.

**NOTE:** Install or remove attachments only when both the heat gun nozzle and the attachment nozzle are cool.

**Deflector nozzle:** The deflector nozzle is useful for applying heat to shrinkable tubing and thawing pipes.

**Concentrator nozzle:** The concentrator nozzle intensifies the application of heat in a specific area. Uses for this nozzle include bending acrylic plastic sheets and directing heat into corners.

## LOCK-OFF BUTTON

See Figure 4, page 9.

The lock-off button reduces the possibility of accidental starting. The lock-off button is located on the handle above the switch trigger. The lock-off button must be depressed before you pull the switch trigger. The lock resets each time the trigger is released.

**NOTE:** You can depress the lock-off button from either the left or right side.

## TURNING THE HEAT GUN ON/OFF

See Figure 4, page 9.

The heat gun has a lock-off button, located on the handle above the switch trigger, reduces the possibility of accidental starting.

- **To turn the heat gun on:** Depress the lock-off button and press the switch trigger.
- **To turn the heat gun off:** Release the switch trigger.

## LED LIGHT

See Figure 5, page 9.

The LED light, located on the front of the tool base, illuminates when the switch trigger is depressed.

If the tool is not in use, the time-out feature will cause the light to start fading and then shut off.

The LED light illuminates only when there is a charged battery pack in the tool.

## OPERATING THE HEAT GUN

See Figure 5 - 6, page 9.

### **WARNING:**

Do not direct hot tip or nozzle toward clothing, hands, or other body parts. Intense heat from tip or nozzle can cause serious burns or cause clothing to ignite.

- Install the battery pack.
- Turn the heat gun on.
- Hold heat gun with one hand.

### **WARNING:**

Do not place second hand on top of tool or near nozzle at any time. Holding the tool on or near the nozzle can cause serious personal injury.

- Move the heat gun until the nozzle is close to the area being heated.

**NOTE:** Experiment with scrap materials to determine the proper amount of heat, distance and time for your project.

### **WARNING:**

During heating, move the tool back-and-forth. Avoid lingering or pausing in one spot as this could overheat or potentially ignite the material being heated.

- Allow the heat gun and the heated surface to cool thoroughly, then remove the battery pack.

# MAINTENANCE

## **WARNING:**

When servicing, use only identical replacement parts. Use of any other parts could create a hazard or cause product damage.

## **WARNING:**

Before inspecting, cleaning, or servicing the unit, stop the heat gun, wait for the heat gun to cool, and remove the battery pack. Failure to follow these instructions can result in serious personal injury or property damage.

## **GENERAL MAINTENANCE**

Avoid using solvents when cleaning plastic parts. Most plastics are susceptible to damage from various types of commercial solvents and may be damaged by their use. Use clean cloths to remove dirt, dust, oil, grease, etc.

## **CLEANING THE HEAT GUN**

The heat gun should be kept clean, dry, and free of oil or grease. Only a mild soap and damp cloth should be used to clean the heat gun. Do not allow liquid to enter the tool.

The high temperatures of the heat gun will cause the nozzle to turn dark over time. This is normal and will not affect its performance or life.

Ventilation openings must be kept clean and free of foreign matter. The most effective method of cleaning the vents is with compressed air. Do not attempt to clean by inserting pointed objects through the openings.

## **STORAGE**

Always allow the heat gun to cool to room temperature before storing. Store the heat gun out of reach of children and untrained individuals.

## **WARNING:**

The nozzle of the heat gun will stay hot for several minutes after use. Always allow heat gun to cool before storage. Following this rule will reduce the risk of serious personal injury or property damage.

**NOTE: ILLUSTRATIONS START ON PAGE 9  
AFTER FRENCH AND SPANISH LANGUAGE SECTIONS.**



# AVERTISSEMENTS DE SÉCURITÉ GÉNÉRALES

## AVERTISSEMENT

Lire les avertissements de sécurité, les instructions et les précisions et consulter les illustrations fournis avec cet outil électrique. Le fait de ne pas se conformer à l'ensemble des consignes présentées ci-dessous risque d'entraîner des décharges électriques, un incendie et/ou des blessures graves.

Conserver les avertissements et les instructions à des fins de référence ultérieure. Le terme « outil motorisé », utilisé dans tous les avertissements ci-dessous désigne tout outil fonctionnant sur secteur (câblé) ou sur piles (sans fil).

## SÉCURITÉ DU LIEU DE TRAVAIL

- **Garder le lieu de travail propre et bien éclairé.** Les endroits encombrés ou sombres sont propices aux accidents.
- **Ne pas utiliser d'outils électriques dans des atmosphères explosives, par exemple en présence de liquides, gaz ou poussières inflammables.** Les outils électriques produisent des étincelles risquant d'enflammer les poussières ou vapeurs.
- **Garder les enfants et badauds à l'écart pendant l'utilisation d'un outil électrique.** Les distractions peuvent causer une perte de contrôle.

## SÉCURITÉ ÉLECTRIQUE

- **Ne pas exposer les outils électriques à l'eau ou l'humidité.** La pénétration d'eau dans ces outils accroît le risque de choc électrique.
- **Utiliser ce produit seulement avec la piles et le chargeurs indiqués dans le supplément de raccordement pour chargeur/outils/piles/appareil n° 987000-432.**

## SÉCURITÉ PERSONNELLE

- **Rester attentif, prêter attention au travail et faire preuve de bon sens lors de l'utilisation de tout outil électrique. Ne pas utiliser cet outil en état de fatigue ou sous l'influence de l'alcool, de drogues ou de médicaments.** Un moment d'inattention pendant l'utilisation d'un outil électrique peut entraîner des blessures graves.
- **Utiliser l'équipement de sécurité. Toujours porter une protection oculaire.** L'équipement de sécurité, tel qu'un masque filtrant, de chaussures de sécurité, d'un casque ou d'une protection auditive, utilisé dans des conditions appropriées réduira le risque de blessures.
- **Éviter les démarrages accidentels. S'assurer que la gâchette est en position d'arrêt avant de brancher l'outil à une source de courant, d'insérer la batterie, de le ramasser ou de le transporter.** Porter un outil avec le doigt sur son commutateur ou brancher un outil dont le commutateur est en position de marche peut causer un accident.

- **Ne pas travailler hors de portée. Toujours se tenir bien campé et en équilibre.** Ceci permettra de mieux contrôler l'outil en cas de situation imprévue.
- **Porter une tenue appropriée. Ne porter ni vêtements amples, ni bijoux. Garder les cheveux, les vêtements et les gants à l'écart des pièces en mouvement.** Les vêtements amples, bijoux et cheveux longs peuvent se prendre dans les pièces en mouvement.
- **Malgré votre expérience acquise par l'utilisation fréquente des outils, soyez toujours vigilant et respectez les principes de sécurité relatifs aux outils.** Il s'agit d'une fraction de seconde pour qu'un geste irréfléchi puisse causer de graves blessures.
- **Ne porter ni vêtements amples, ni bijoux. Attacher ou couvrir les cheveux longs.** Les vêtements amples, bijoux et cheveux longs peuvent se prendre dans les ouïes d'aération.
- **Ne pas utiliser l'outil sur une échelle ou un support instable.** Une bonne tenue et un bon équilibre permettent de mieux contrôler l'outil en cas de situation imprévue.

## UTILISATION ET ENTRETIEN DES OUTILS ÉLECTRIQUES

- **Ne pas forcer l'outil. Utiliser l'outil approprié pour l'application.** Un outil approprié exécutera le travail mieux et de façon moins dangereuse s'il est utilisé dans les limites prévues.
- **Ne pas utiliser l'outil si le commutateur ne permet pas de le mettre en marche ou de l'arrêter.** Tout outil qui ne peut pas être contrôlé par son commutateur est dangereux et doit être réparé.
- **Ranger les outils motorisés hors de la portée des enfants et ne laisser personne n'étant pas familiarisé avec l'outil ou ces instructions utiliser l'outil.** Dans les mains de personnes n'ayant pas reçu des instructions adéquates, les outils sont dangereux.
- **Entretien les outils motorisés et accessoires. Vérifier qu'aucune pièce mobile n'est mal alignée ou bloquée, qu'aucune pièce n'est brisée et s'assurer qu'aucun autre problème ne risque d'affecter le bon fonctionnement de l'outil. En cas de dommages faire réparer l'outil avant de l'utiliser de nouveau.** Beaucoup d'accidents sont causés par des outils mal entretenus.
- **Utiliser l'outil, les accessoires et embouts, etc. conformément à ces instructions pour les applications pour lesquelles ils sont conçus, en tenant compte des conditions et du type de travail à exécuter.** L'usage d'un outil motorisé pour des applications pour lesquelles il n'est pas conçu peut être dangereux.
- **Gardez les poignées et les surfaces de prise sèches, propres et exemptes d'huile et de graisse.** Des poignées et des surfaces de prise glissantes empêchent la manipulation et le contrôle sécuritaires de l'outil dans des circonstances imprévues.

# AVERTISSEMENTS DE SÉCURITÉ GÉNÉRALES

## UTILISATION ET ENTRETIEN DE LA PILE

- **Ne recharger qu'avec l'appareil spécifié par le fabricant.** Un chargeur approprié pour un type de pile peut créer un risque d'incendie s'il est utilisé avec un autre type de pile.
- **Utiliser exclusivement le bloc-pile spécifiquement indiqué pour l'outil.** L'usage de tout autre bloc peut créer un risque de blessures et d'incendie.
- **Lorsque le bloc-piles n'est pas en usage, le garder à l'écart d'articles tels qu'attaches trombones, pièces de monnaie, clous, vis ou autres petits objets métalliques risquant d'établir le contact entre les deux bornes.** La mise en court-circuit des bornes de piles peut causer des étincelles, des brûlures ou un incendie.
- **En cas d'usage abusif, du liquide peut s'échapper des piles. Éviter tout contact avec ce liquide. En cas de contact accidentel, rincer immédiatement les parties atteintes avec de l'eau. En cas d'éclaboussure dans les yeux consulter un médecin.** Le liquide s'échappant des piles peut causer des irritations ou des brûlures.
- **Ne pas utiliser un bloc-piles ou un outil endommagé ou modifié.** Les piles endommagées ou modifiées peuvent

produire un comportement imprévisible pouvant provoquer un incendie, une explosion ou des blessures.

- **Ne pas exposer le bloc-piles ou l'outil près d'un incendie ou à une température extrême.** L'exposition à un incendie ou à une température supérieure à 130 °C (265 °F) représente un risque d'explosion.
- **Suivre toutes les instructions afférentes à la recharge et ne pas recharger le bloc-piles ou l'outil hors des températures spécifiées dans les instructions.** Une recharge incorrecte ou hors des températures spécifiées peut endommager la pile et augmenter les risques de feu.

## DÉPANNAGE

- **Les réparations doivent être confiées à un technicien qualifié, utilisant exclusivement des pièces identiques à celles d'origine.** Ceci assurera le maintien de la sécurité de l'outil.
- **Ne réparez jamais de blocs-piles endommagés.** Seuls le fabricant et les fournisseurs de service autorisés doivent effectuer la réparation ou l'entretien des blocs-piles.

# AVERTISSEMENTS DE SÉCURITÉ RELATIFS PISTOLET THERMIQUE

Il faut suivre ces précautions de sécurité de base lorsque vous utilisez un pistolet thermique :

## LIRE TOUTES LES INSTRUCTIONS.

- **La buse du pistolet thermique devient brûlante pendant l'utilisation et ne doit pas être touchée avant que l'outil ait refroidi.** Toujours tenir l'outil par la surface de prise isolée pour réduire les risques de blessures graves.
- **Les pistolets thermiques produisent des températures extrêmement élevées et doivent être utilisés avec prudence pour éviter d'enflammer les matériaux combustibles. Garder constamment l'outil en mouvement, ne pas le tenir immobile à un endroit.** Le respect de cette consigne réduira les risques d'incendie ou de blessures graves.
- **Une chaleur excessive peut produire des vapeurs dangereuses si elles sont inhalées. Lors de l'utilisation du pistolet thermique, porter un masque filtrant ou un respirateur à double filtre.** Le respect de cette consigne réduira les risques de blessures graves.
- **Garder un extincteur complètement chargé à portée de main, pour les cas d'urgence.** Le respect de cette règle réduira les risques d'incendie ou de blessures graves.

- **Ne pas laisser le pistolet thermique sans surveillance lorsqu'il est en fonctionnement ou pendant qu'il refroidit. Lorsqu'il est en fonctionnement ou en train de refroidir, toujours poser l'outil sur une surface plane et horizontale, la buse orientée vers le haut.** Le respect de cette règle réduira les risques d'incendie ou de blessures graves.
- **Apprendre à connaître l'outil. Lire attentivement le manuel d'utilisation. Apprendre les applications et les limites de l'outil, ainsi que les risques spécifiques relatifs à son utilisation.** Le respect de cette consigne réduira les risques d'incendie, de choc électrique et de blessures graves.
- **Toujours porter une protection oculaire certifiée conforme à la norme ANSI Z87.1.** Le respect de cette règle réduira les risques de blessures graves.
- Avant d'utiliser, vérifier que toutes les pièces fonctionnent correctement et qu'elles ne sont pas endommagées.
- Ne pas utiliser cette torche pour chauffer, mouler ou plier les feuilles de plastique, les moulures et les tubes.

# AVERTISSEMENTS DE SÉCURITÉ RELATIFS PISTOLET THERMIQUE

## AVERTISSEMENT :

Ce pistolet thermique produit des températures extrêmement élevées. Les endroits cachés par les murs, plafonds, planchers, intrados et autres panneaux peuvent contenir des matériaux inflammables susceptible de prendre feu sous l'effet du pistolet thermique. L'inflammation de ces matériaux peut ne pas être immédiatement apparente, ce qui peut causer des sérieux dommages et blessures. Lorsque vous travaillez dans ces endroits, garder la torche en mouvement de va-et-vient. Arrêter ou prendre une pause à un endroit peut enflammer le panneau ou les matières derrière le panneau.

## AVERTISSEMENT :

Porter une attention extrême lorsque vous décapez de la peinture. Les déchets, résidus et vapeurs de la peinture peuvent contenir du plomb, qui est une substance toxique. Toute peinture antérieure à 1977 peut contenir du plomb et la peinture résidentielle antérieure à 1950 contient probablement du plomb. Si l'on touche la peinture déposée sur les surfaces, le contact des doigts avec la bouche peut causer l'ingestion de plomb. L'exposition au plomb, même à doses faibles, peut causer des lésions cérébrales et nerveuses irréversibles, les nouveau nés et fœtus étant particulièrement vulnérables. Avant d'entreprendre toute opération de décapage, il est impératif de déterminer si la peinture à éliminer contient du plomb. Pour ce faire, contacter les services d'hygiène locaux ou un professionnel qui utilise un analyseur de peinture pour vérifier le contenu en plomb de la peinture à décaper. LA PEINTURE AU PLOMB NE DOIT ÊTRE DÉCAPÉE QUE PAS UN PROFESSIONNEL ET NE DOIT PAR ÊTRE ÉLIMINÉE AU MOYEN D'UN TORCHE.

## AVERTISSEMENT :

Ne pas diriger la buse vers les vêtements, les mains ou une partie quelconque du corps. La chaleur intense peut causer des brûlures graves ou l'inflammation des vêtements.

### Les personnes effectuant l'écapage doivent se conformer aux directives suivantes :




- Emmener la pièce à décaper à l'extérieur. Si cela n'est pas possible, garder le lieu de travail bien ventilé. Ouvrir les fenêtres et placer un ventilateur dans l'une d'elles. Veiller à ce que le ventilateur évacue l'air vers l'extérieur.

- Retirer ou couvrir les tapis, moquettes, meubles, vêtements, ustensiles de cuisine et conduits d'air.
- Placer des toiles de protection sur la zone de travail pour recueillir tous les déchets de peinture. Porter des vêtements protecteurs tels qu'une chemise de travail supplémentaire ou une combinaison et un couvre-chef.
- Ne travailler que dans une pièce à la fois. Les meubles doivent être retirés ou placés au centre de la pièce et couverts. Les zones de travail doivent être isolées du reste de la résidence en calfeutrants les entrées avec des toiles de protection.
- Les enfants et femmes enceintes ou susceptibles de l'être, ainsi que les mères allaitantes ne doivent pas se trouver sur le lieu de travail avant que le nettoyage soit terminé.
- Porter un masque respiratoire simple (poussières) ou double (poussières et vapeurs) agréé par l'OSHA (Occupational Safety and Health Administration), le NIOSH (National Institute of Safety and Health) ou le bureau des mines américain. Ces masques et filtres remplaçables sont en vente dans la plupart des quincailleries. S'assurer que le masque est bien ajusté. La barbe et les cheveux peuvent empêcher une bonne étanchéité à l'air. Changer les filtres fréquemment. LES MASQUES EN PAPIER JETABLES N'OFFRENT PAS UNE PROTECTION SUFFISANTE.
- Utiliser le pistolet thermique avec prudence. Garder le pistolet thermique en mouvement car la chaleur excessive produira des vapeurs, pouvant être inhalées par l'opérateur.
- Garder les aliments et boissons loin de la zone de travail. Se laver les mains, les bras et le visage, puis effectuer un rinçage de bouche avant de boire ou manger. Ne pas fumer ou mâcher du tabac ou du chewing-gum sur le lieu de travail.
- Éliminer les résidus et la poussière du sol en le nettoyant avec une serpillère humide. Nettoyer les murs, seuils et toute surface couverte de résidus ou de poussière de peinture avec un chiffon humide. NE PAS BALAYER, ESSUYER À SEC OU ASPIRER. Utiliser du phosphate trisodique (TSP) pour laver et nettoyer les lieux de travail.
- À la fin de chaque session de travail, placer les résidus et débris dans un sac en plastique double et fermer ce sac avec un ruban ou une attache.
- Retirer les vêtements et chaussures de protection sur le lieu de travail et éviter de transporter des poussières dans le reste de la résidence. Laver les vêtements de travail séparément. Essuyer les chaussures avec un chiffon humide et laver ce chiffon avec les vêtements de travail. Se laver les cheveux et le corps avec de l'eau et du savon.







## CONSERVEZ CETTE INSTRUCTION

# SYMBOLES

Les termes de mise en garde suivants et leur signification ont pour but d'expliquer le degré de risques associé à l'utilisation de ce produit.

SYMBOLE	SIGNAL	SIGNIFICATION
	<b>DANGER :</b>	Indique une situation dangereuse qui, si elle n'est pas évitée, aura pour conséquences des blessures graves ou mortelles.
	<b>AVERTISSEMENT :</b>	Indique une situation dangereuse qui, si elle n'est pas évitée, pourrait entraîner des blessures graves ou mortelles.
	<b>ATTENTION :</b>	Indique une situation dangereuse qui, si elle n'est pas évitée, pourrait entraîner des blessures légères ou de gravité modérée.
	<b>AVIS :</b>	(Sans symbole d'alerte de sécurité) Indique les informations jugées importantes sans toutefois représenter un risque de blessure (ex. : messages concernant les dommages matériels).

Certains des symboles ci-dessous peuvent être utilisés sur produit. Veiller à les étudier et à apprendre leur signification. Une interprétation correcte de ces symboles permettra d'utiliser produit plus efficacement et de réduire les risques.

SYMBOLE	NOM	DÉSIGNATION / EXPLICATION
	Symbole d'alerte de sécurité	Indique un risque de blessure potentiel.
	Lire le manuel d'utilisation	Pour réduire les risques de blessures, l'utilisateur doit lire et veiller à bien comprendre le manuel d'utilisation avant d'utiliser ce produit.
	Protection oculaire	Toujours porter une protection oculaire avec écrans latéraux certifiée conforme à la norme ANSI Z87.1.
	Avertissement concernant l'humidité	Ne pas exposer à la pluie ou l'humidité.
	Surface brûlante	Pour éviter les risques de blessures ou de dommages, éviter tout contact avec les surfaces brûlantes.
	Symbole de recyclage	Ce produit utilise les piles de lithium-ion (Li-ion). Les réglementations locales ou gouvernementales peuvent interdire de jeter les piles dans les ordures ménagères. Consulter les autorités locales compétentes pour les options de recyclage et/ou l'élimination.
V	Volts	Tension
min	Minutes	Temps
≡	Courant continu	Type ou caractéristique du courant
.../min	Par minute	Tours, coups, vitesse périphérique, orbites, etc., par minute

# CARACTÉRISTIQUES

## FICHE TECHNIQUE

Température maximale ..... 468,3 °C (875 °F)  
Source d'alimentation ..... Bloc-piles de 18V

## ASSEMBLAGE

### **AVERTISSEMENT :**

Ne pas utiliser le produit s'il n'est pas complètement assemblé ou si des pièces semblent manquantes ou endommagées. L'utilisation d'un produit dont l'assemblage est incorrect ou incomplet ou comportant des pièces endommagées ou absentes représente un risque de blessures graves.

### **AVERTISSEMENT :**

Ne pas essayer de modifier cet outil ou de créer des pièces et accessoires non recommandés. De telles altérations ou modifications sont considérées comme un usage abusif et peuvent créer des conditions dangereuses, risquant d'entraîner des blessures graves.

Si des pièces manquent ou sont endommagées, veuillez appeler au 1-800-525-2579 pour obtenir de l'aide.

## UTILISATION

### **AVERTISSEMENT :**

Ne pas laisser la familiarité avec l'outil faire oublier la prudence. Ne pas oublier qu'une fraction de seconde d'inattention peut entraîner des blessures graves.

### **AVERTISSEMENT :**

Toujours retirer la bloc-pile de l'outil au moment d'assembler des pièces, d'effectuer des réglages et de procéder au nettoyage, ou lorsque l'outil n'est pas utilisé. Si cette précaution n'est pas prise, des objets peuvent être projetés dans les yeux et causer des lésions graves.

### **AVERTISSEMENT :**

Toujours porter une protection oculaire certifiée conforme à la norme ANSI Z87.1. Si cette précaution n'est pas prise, des objets peuvent être projetés dans les yeux et d'autres lésions graves.

### **AVERTISSEMENT :**

Ne pas utiliser d'outils ou accessoires non recommandés par le fabricant pour cet outil. L'utilisation de pièces et accessoires non recommandés peut entraîner des blessures graves.

## APPLICATIONS

Cet outil peut être utilisé pour les applications ci-dessous :

- Amolissement de la peinture, des mastics et produits de calfatage pour faciliter leur élimination
- Amolissement des adhésifs pour faciliter le décollage des autocollants, carreaux de sol, papiers peints, etc.
- Installation de tubes thermorétractables pour les travaux électriques
- Films thermorétractables pour l'emballage ou la protection contre les intempéries
- Desserrage des écrous, boulons et raccords rouillés

## INSTALLATION/RETRAIT DU BLOC-PILES

Voir la figure 1, page 9.

- Insérer la pile dans l'outil comme illustré.
- S'assurer que les loquets de chaque côté de la pile s'enclenchent en place et que la pile est bien fixée à l'outil avant de mettre l'outil en marche.
- Relâcher les loquets pour retirer le bloc-piles.

Pour prendre connaissance des consignes de chargement, consulter le manuel d'utilisation des piles et des chargeurs.

# UTILISATION

## INSTALLATION DES ACCESSOIRES

Voir les figures 2 et 3, page 9.

Accessoires sont inclus avec le pistolet thermique, pour diverses applications. Pour installer les accessoires, il suffit de les glisser sur la buse du pistolet.

**NOTE :** N'installer les accessoires que lorsque le pistolet thermique et les accessoires sont froids.

**Embout défecteur:** L'embout défecteur est utile pour le chauffage des tubes thermorétractibles et décongeler les tuyaux.

**Embout concentrateur:** L'embout concentrateur concentre la chaleur à l'endroit où il est utilisé. Cet embout est utilisé pour mettre en forme les feuilles de plastique acrylique, souder les raccords de tuyaux et diriger la chaleur dans les coins.

## BOUTON DE VERROUILLAGE

Voir la figure 4, page 9.

Cette scie est équipée d'un bouton de verrouillage pour réduire le risque de démarrage accidentel. Ce bouton se trouve sur la poignée, au-dessus de la gâchette. Le bouton de verrouillage doit être verrouillé avant d'appuyer sur la gâchette. Le bouton se désengage automatiquement lorsque la gâchette est relâchée.

**NOTE :** Le bouton de verrouillage peut être enfoncé par la droite ou la gauche.

## DÉMARRER ET ARRÊTER LE PISTOLET THERMIQUE

Voir la figure 4, page 9.

Cette pistolet thermique est équipée d'un bouton de verrouillage se trouve sur la poignée, au-dessus de la gâchette pour réduire le risque de démarrage accidentel.

- **Pour démarrer le pistolet thermique :** Appuyer sur le bouton de verrouillage et appuyer sur la gâchette.
- **Pour arrêter le pistolet thermique :** Relâcher la gâchette.

## LAMPE DÉL

Voir la figure 5, page 9.

La lampe DÉL, située à l'avant de la base de l'outil, s'allume automatiquement lorsque vous appuyez sur la gâchette de commutateur.

Lorsque la perceuse n'est pas en usage, la fonction d'arrêt fait en sorte que la lampe faiblit et s'éteint.

Le ampoule à DÉL faisceaux s'allume seulement lorsqu'un bloc-piles chargé se trouve dans l'outil.

## UTILISATION DU PISTOLET THERMIQUE

Voir les figures 5 et 6, page 9.

### AVERTISSEMENT :

Ne pas diriger la buse vers les vêtements, les mains ou une partie quelconque du corps. La chaleur intense peut causer des brûlures graves ou l'inflammation des vêtements.

- Installer le bloc-piles.
- Allumer le pistolet thermique.
- Tenir le pistolet thermique avec une main.

### AVERTISSEMENT :

Ne pas placer, en aucun temps, votre deuxième main par-dessus l'outil ou près de la buse. Tenir l'outil sur ou près de la buse peut entraîner des blessures personnelles graves.

- Déplacer le pistolet thermique jusqu'à ce que la buse soit près de l'endroit à chauffer.

**NOTE :** Faire des expériences avec des matériaux de rebut pour déterminer le bon degré de chaleur, la distance et le temps pour votre projet.

### AVERTISSEMENT :

Pendant le chauffage, faire des mouvements de va-et-vient. Éviter d'arrêter ou de prendre une pause à un seul endroit car ceci pourrait entraîner un surchauffement ou potentiellement enflammer les matières à chauffer.

- Permettre au pistolet thermique et la surface chauffée de refroidir complètement, et enlever le bloc-piles.

# ENTRETIEN

## **AVERTISSEMENT :**

Utiliser exclusivement des pièces d'origine pour les réparations. L'usage de toute autre pièce pourrait créer une situation dangereuse ou endommager l'outil.

## **AVERTISSEMENT :**

Avant d'inspecter, nettoyer ou entretenir l'équipement, arrêter le pistolet thermique, permettre de refroidir, et retirer le bloc-piles. Ne pas respecter ces instructions représente un risque de blessures graves et de dommages matériels.

## **ENTRETIEN GÉNÉRAL**

Éviter d'utiliser des solvants pour le nettoyage des pièces en plastique. La plupart des matières plastiques peuvent être endommagées par divers types de solvants du commerce. Utiliser un chiffon propre pour éliminer la saleté, la poussière, l'huile, la graisse, etc.

## **NETTOYAGE DU PISTOLET THERMIQUE**

Garder le pistolet thermique secs, propres et exempts d'huile ou de graisse. Nettoyer l'extérieur du pistolet exclusivement avec un chiffon humecté d'eau et de savon doux. Ne pas laisser de liquide pénétrer dans l'outil.

Après un certain temps, la buse prend une couleur sombre, due aux températures élevées produites par le pistolet thermique. Ceci est normal et n'affecte pas la durée de vie utile du produit.

Les ouvertures d'aération doivent être gardées propres et exemptes de débris. La méthode de nettoyage de ces ouvertures est l'air comprimé. Ne pas essayer de nettoyer les ouvertures avec des objets pointus.

## **REMISAGE**

Toujours laisser le pistolet thermique refroidir avant de le ranger. Ranger le pistolet thermique hors de la portée des enfants et des personnes n'ayant pas reçu des instructions adéquates.

## **AVERTISSEMENT :**

La buse du pistolet thermique devient brûlante pendant le fonctionnement et le reste pendant plusieurs minutes. Toujours laisser le pistolet refroidir avant de le ranger. Le respect de cette règle réduira les risques de brûlures graves ou de dommages matériels.

**NOTE: ILLUSTRATIONS COMMENÇANT SUR 9  
DE PAGE APRÈS LA SECTION ESPAGNOL.**

# ADVERTENCIAS DE SEGURIDAD GENERALES



## ADVERTENCIA

Lea todas las advertencias, instrucciones, ilustraciones y especificaciones proporcionadas con esta herramienta eléctrica. No seguir las instrucciones indicadas a continuación puede provocar descargas eléctricas, incendios o lesiones graves.

Guarde todas las advertencias e instrucciones para consultarlas en el futuro. El término “herramienta eléctrica” en las advertencias se refiere a las herramientas eléctricas que funcionan con corriente (con cordón) o las que funcionan con batería (inalámbricas).

## ÁREA DE TRABAJO

- **Mantenga limpia y bien iluminada el área de trabajo.** Un área de trabajo mal despejada o mal iluminada propicia accidentes.
- **No utilice herramientas motorizadas en atmósferas explosivas, como las existentes alrededor de líquidos, gases y polvos inflamables.** Las herramientas eléctricas generan chispas que pueden encender el polvo y los vapores inflamables.
- **Mantenga alejados a los niños y circunstancias al maniobrar una herramienta eléctrica.** Toda distracción puede causar la pérdida del control de la herramienta.

## SEGURIDAD ELÉCTRICA

- **No exponga las herramientas eléctricas a la lluvia ni a condiciones de humedad.** La introducción de agua en una herramienta eléctrica aumenta el riesgo de descargas eléctricas.
- **Usar este producto únicamente con la baterías y el cargadores indicados en el folleto de la herramienta/aparato/paquete de baterías/cargador complementario 987000-432.**

## SEGURIDAD PERSONAL

- **Permanezca alerta, preste atención a lo que esté haciendo y aplique el sentido común al utilizar herramientas eléctricas. No utilice la herramienta eléctrica si está cansado o se encuentra bajo los efectos de alguna droga, alcohol o medicamento.** Un momento de inatención al utilizar una herramienta eléctrica puede causar lesiones corporales serias.
- **Utilice protección el equipo otros. Siempre póngase protección ocular.** El uso de equipo protector como mascarilla para el polvo, calzado de seguridad, casco y protección para los oídos en las circunstancias donde corresponda disminuye el riesgo de lesiones.
- **Evite que la herramienta se active accidentalmente. Asegúrese de que el interruptor esté en la posición de apagado antes de conectarlo a la toma de alimentación o a la batería, al levantar o mover la herramienta.** Transportar

herramientas eléctricas con el dedo en el interruptor o enchufar herramientas eléctricas que tienen el interruptor encendido puede ocasionar accidentes.

- **No estire el cuerpo para alcanzar mayor distancia. Mantenga una postura firme y buen equilibrio en todo momento.** De esta manera se logra un mejor control de la herramienta eléctrica en situaciones inesperadas.
- **Vístase adecuadamente. No vista ropas holgadas ni joyas. Mantenga el cabello, la ropa y los guantes alejados de las piezas móviles.** Las ropas holgadas y las joyas, así como el cabello largo, pueden engancharse en las piezas móviles.
- **No permita que la familiaridad obtenida por el uso frecuente de las herramientas lo vuelva complaciente e ignore los principios de seguridad de las herramientas.** Una acción descuidada puede causar lesiones graves en una fracción de segundo.
- **No vista ropas holgadas ni joyas. Recójase el cabello si está largo.** Las ropas holgadas y las joyas, así como el cabello largo, pueden resultar atraídas hacia el interior de las aberturas de ventilación.
- **No utilice la unidad al estar en una escalera o en un soporte inestable.** Una postura estable sobre una superficie sólida permite un mejor control de la herramienta eléctrica en situaciones inesperadas.

## EMPLEO Y CUIDADO DE LA HERRAMIENTA ELÉCTRICA

- **No fuerce la herramienta eléctrica. Utilice la herramienta eléctrica adecuada para cada trabajo.** La herramienta eléctrica adecuada efectúa mejor y de manera más segura el trabajo, si además se maneja a la velocidad para la que está diseñada.
- **No utilice la herramienta si el interruptor no enciende o no apaga.** Cualquier herramienta eléctrica que no pueda controlarse con el interruptor es peligrosa y debe repararse.
- **Guarde las herramientas eléctricas desocupadas fuera del alcance de los niños y no permita que las utilicen personas no familiarizadas con las mismas o con estas instrucciones.** Las herramientas eléctricas son peligrosas en manos de personas no capacitadas en el uso de las mismas.
- **Mantenimiento de las herramientas eléctricas y accesorios. Revise para ver si hay desalineación o atoramiento de piezas móviles, ruptura de piezas o toda otra condición que pueda afectar el funcionamiento de la herramienta eléctrica. Si está dañada la herramienta eléctrica, permita que la reparen antes de usarla.** Numerosos accidentes son causados por herramientas eléctricas mal cuidadas.
- **Use la herramienta eléctrica, los accesorios, las brocas, etc. según estas instrucciones, teniendo en cuenta las condiciones de trabajo y la tarea que se va a realizar.** Si se utiliza la herramienta eléctrica para operaciones diferentes de las indicadas podría originar una situación peligrosa.



# ADVERTENCIAS DE SEGURIDAD GENERALES

- **Mantenga los mangos y superficies de agarre limpias y libres de aceite y grasa.** Los mangos y superficies de agarre resbalosas no permiten la manipulación y control seguro de la herramienta en situaciones inesperadas.

## EMPLEO Y CUIDADO DE LA HERRAMIENTA DE BATERÍAS

- **Sólo cargue el paquete de baterías con el cargador especificado por el fabricante.** Un cargador adecuado para un tipo paquete de baterías puede significar un riesgo de incendio si se emplea con un paquete de baterías diferente.
- **Utilice las herramientas eléctricas sólo con los paquetes de baterías específicamente indicados.** El empleo de paquetes de baterías diferentes puede presentar un riesgo de incendio.
- **Cuando no esté utilizándose el paquete de baterías, manténgalo lejos de otros objetos metálicos, como clips, monedas, llaves, clavos, tornillos o otros objetos metálicos, pequeños que puedan establecer conexión entre ambas terminales.** Establecer una conexión directa entre las dos terminales de las baterías puede causar quemaduras o incendios.
- **Si se maltratan las baterías, puede derramarse líquido de las mismas; evite todo contacto con éste. En caso de contacto, lávese con agua. Si el líquido llega a tocar**

**los ojos, además busque atención médica.** El líquido de las baterías puede causar irritación y quemaduras.

- **No utilice un paquete de baterías o una herramienta que esté dañado o modificado.** Las baterías dañadas o modificadas pueden tener un funcionamiento impredecible que provoque incendios, explosiones o riesgo de lesiones.
- **No exponga el paquete de baterías o una herramienta al fuego o a temperaturas excesivas.** La exposición al fuego o a temperatura sobre los 130 °C (265 °F) puede provocar explosiones.
- **Siga todas las instrucciones de carga y no cargue el paquete de baterías ni la herramienta fuera del rango de temperaturas especificado en las instrucciones.** Si realiza la carga en forma incorrecta o fuera de las temperaturas del rango especificado puede dañar la batería y aumentar el riesgo de incendios.

## SERVICIO

- **Permita que un técnico de reparación calificado preste servicio a la herramienta eléctrica, y sólo con piezas de repuesto idénticas.** De esta manera se mantiene la seguridad de la herramienta eléctrica.
- **Nunca repare paquetes de baterías dañados.** La reparación de paquetes de baterías solo puede ser realizada por el fabricante o proveedores de servicio autorizados.

# ADVERTENCIAS DE SEGURIDAD PISTOLA DE AIRE CALIENTE

Al usar pistolas de aire caliente, siempre deben tomarse precauciones de seguridad básicas:

## LEA ESTA INSTRUCCIÓN.

- **La boca de la pistola de aire caliente se calienta durante el funcionamiento de ésta, y debe no tocarse mientras no se haya enfriado.** Para disminuir el riesgo de lesiones serias, siempre sostenga la herramienta por la superficie aislada de sujeción.
- **Las pistolas de aire caliente generan temperaturas muy elevadas y deben utilizarse con precaución para evitar la inflamación de material combustible. Mantenga en constante movimiento la herramienta; no se detenga ni permanezca en un mismo lugar.** Con el cumplimiento de esta regla se reduce el riesgo de un incendio o de lesiones serias.
- **El calor excesivo puede generar emanaciones que pueden ser peligrosas si se inhalan. Póngase una mascarilla de respiración antipolvo o de doble filtro cuando utilice la pistola de aire caliente.** Con el cumplimiento de esta regla se reduce el riesgo de lesiones serias.
- **Mantenga a la mano un extintor de incendios completamente cargado para usarlo en caso de emergencia.** Con el cumplimiento de esta regla se reduce el riesgo de un incendio o de lesiones serias.

- **No deje desatendida la pistola de aire caliente mientras la tenga encendida o en proceso de enfriamiento. Mientras tenga la herramienta encendida o en proceso de enfriamiento, siempre colóquela en una superficie horizontal plana de manera que la punta de la boca de la misma quede apuntando hacia arriba, en dirección opuesta a la superficie de soporte.** Con el cumplimiento de esta regla se reduce el riesgo de un incendio o de lesiones serias.
- **Familiarícese con su herramienta eléctrica. Lea cuidadosamente el manual del operador. Aprenda sus usos y limitaciones, así como los posibles peligros específicos de esta herramienta.** Con el cumplimiento de esta regla se reduce el riesgo de una descarga eléctrica, incendio o lesión seria.
- **Siempre póngase protección ocular con la marca de cumplimiento de la norma ANSI Z87.1.** Si se cumple esta regla, se reduce el riesgo de lesiones serias.
- **Antes de usar la unidad, asegúrese de que todas las partes funcionen de forma apropiada y que los componentes no estén dañados.**
- **No use este soplete para calentar, moldear ni curvar láminas de plástico, molduras ni tuberías.**

# ADVERTENCIAS DE SEGURIDAD PISTOLA DE AIRE CALIENTE

## ADVERTENCIA:

Esta pistola de aire caliente genera temperaturas extremadamente altas. Las áreas ocultas como detrás de las paredes, los techos, pisos, intradoses y otros paneles pueden contener materiales inflamables que pueden encenderse cuando use la pistola de aire caliente en estos lugares. La inflamación de estos materiales puede no ser visible de inmediato y podrían producirse daños materiales o lesiones corporales. Al trabajar en estos lugares, asegúrese de mover el soplete hacia delante y hacia atrás. Si se detiene en un punto, el panel o el material que hay detrás podría encenderse.

## ADVERTENCIA:

Tenga extremo cuidado al quitar pintura. El descascarillado, el residuo y los vapores de la pintura pueden contener plomo, el cual es tóxico. Cualquier pintura fabricada antes de 1977 puede contener plomo, y la pintura utilizada antes de 1950 en las casas puede contener plomo. Una vez depositado en las superficies, todo contacto de la boca con el mismo mediante la mano puede producir la ingestión de plomo. Cualquier exposición a cualquier concentración de plomo, incluso de bajo grado, puede causar daños irreversibles al cerebro y al sistema nervioso; en particular son vulnerables los niños menores y los bebés. Antes de iniciar el proceso de remoción de la pintura, debe determinar si la pintura por desprender contiene plomo. Esto puede ser realizado por la dependencia oficial de salud de la localidad, o por un profesional que utilice analizador de pintura para verificar el contenido de plomo en la pintura por eliminar. LA PINTURA CON CONTENIDO DE PLOMO SÓLO DEBE SER DESPRENDIDA POR UN TÉCNICO PROFESIONAL Y DEBE NO UTILIZARSE UNA SOPLETE.

## ADVERTENCIA:

No dirija la punta o boca caliente de la pistola hacia la ropa, las manos ni otras partes del cuerpo. El intenso calor de la punta a boca puede causar quemaduras serias o la inflamación de la ropa.

### Al desprender pintura deben seguirse estas directrices:




- Saque la pieza de trabajo al exterior. Si tal cosa no es posible, mantenga bien ventilada el área de trabajo. Abra las ventanas y coloque un ventilador de extracción en una de ellas. Asegúrese de que el ventilador extraiga el aire del interior hacia el exterior.
- Retire o cubra toda alfombra, tapete, mueble, ropa, utensilio de cocina o conducto de aire presente en el área de trabajo.

- Coloque tela, papel o película de plástico en el área de trabajo para recibir todos los trozos o el descascarillado de pintura. Vista ropas protectoras como camisa de trabajo extra, overoles y gorra.
- Trabaje en un cuarto a la vez. El mobiliario, cortinas, alfombras, etc., deben retirarse o colocarse en el centro del cuarto y cubrirse. Las áreas de trabajo deben sellarse del resto de la casa sellando las puertas con tela o película de plástico.
- Todo niño, mujer embarazada, o posiblemente embarazada, y madres lactantes, deben estar ausentes del área de trabajo hasta terminarse el trabajo y toda la limpieza.
- Póngase una mascarilla de respiración antipolvo o de doble filtro (para polvo y emanaciones) con aprobación de la Administración de Seguridad y Salud Laboral (OSHA), de Instituto Nacional de Seguridad y Salud (NIOSH) o de la Oficina Reguladora de Minas de Estados Unidos. Estas mascarillas y los filtros reemplazables se encuentran fácilmente en cualquier ferretería bien surtida. Asegúrese de que la careta se ajuste bien. La barba y el pelo facial puede impedir el correcto sellado de la careta. Cambie a menudo los filtros. NO SON ADECUADAS LAS MASCARILLAS DE PAPEL.
- Tenga precaución al utilizar la pistola de aire caliente. Asegúrese de mantener la pistola en movimiento, ya que el calor excesivo podría generar gases y el operador podría inhalarlos.
- Mantenga fuera del área de trabajo todo alimento y bebida. Lávese las manos, brazos y cara, y enjuáguese la boca, antes de comer o beber. No fume ni mastique chicle o tabaco en el área de trabajo.
- Limpie toda la pintura desprendida y limpie el polvo del piso con un trapeador (fregona) húmedo. Con un paño húmedo limpie todas las paredes, alféizares y cualquier otra superficie donde se pegue la pintura o el polvo. NO BARRA, LIMPIE EN SECO EL POLVO, NI LIMPIE CON ASPIRADORA. Utilice un detergente con alto contenido de fosfato o fosfato trisódico (TSP) para lavar y limpiar con trapeador las áreas de trabajo.
- Al finalizar cada sesión de trabajo, ponga los trocitos de pintura y desechos en una bolsa de plástico doble, ciérrela con cinta adhesiva o ataduras de cierre por torcedura, y deséchelas de la forma correcta.
- Despójese de las ropas protectoras y de los zapatos de trabajo en el área de trabajo para evitar llevar polvo al resto de la casa. Lave por separado las ropas de trabajo. Limpie los zapatos con un trapo húmedo y luego lave éste junto con las ropas de trabajo. Lávese el cabello y el cuerpo con agua y jabón.







### CONSERVE ESTA INSTRUCCIÓN

# SÍMBOLOS

Las siguientes palabras de señalización y sus significados tienen el objeto de explicar los niveles de riesgo relacionados con este producto.

SÍMBOLO	SEÑAL	SIGNIFICADO
	<b>PELIGRO:</b>	Indica una situación peligrosa inminente, la cual, si no se evita, causará la muerte o lesiones serias.
	<b>ADVERTENCIA:</b>	Indica una situación peligrosa posible, la cual, si no se evita, podría causar la muerte o lesiones serias.
	<b>PRECAUCIÓN:</b>	Indica una situación peligrosa posible, la cual, si no se evita, podría causar lesiones menores o leves.
	<b>AVISO:</b>	(Sin el símbolo de alerta de seguridad) Indica la información que se considera importante, pero no relacionada con lesiones potenciales (por ej. en relación a daños a la propiedad).

Es posible que se empleen en este producto algunos de los siguientes símbolos. Le suplicamos estudiarlos y aprender su significado. Una correcta interpretación de estos símbolos le permitirá utilizar mejor y de manera más segura el producto.

SÍMBOLO	NOMBRE	DENOMINACIÓN/EXPLICACIÓN
	Alerta de seguridad	Indica un peligro posible de lesiones personales.
	Lea el manual del operador	Para reducir el riesgo de lesiones, el usuario debe leer y comprender el manual del operador antes de usar este producto.
	Protección ocular	Siempre póngase protección ocular con protección lateral con la marca de cumplimiento de la norma ANSI Z87.1.
	Alerta de condiciones húmedas	No exponga la unidad a la lluvia ni la use en lugares húmedos.
	Superficie caliente	Para reducir el riesgo de lesiones corporales o daños materiales evite tocar toda superficie caliente.
	Símbolo de reciclado	Este producto utiliza baterías de iones de litio (Li-ion). Es posible que algunas leyes municipales, estatales o federales prohíban desechar las baterías en la basura normal. Consulte a las autoridades reguladoras de desechos para obtener información en relación con las alternativas de reciclado y desecho disponibles.
V	Volts	Voltaje
min	Minutos	Tiempo
==	Corriente continua	Tipo o característica de corriente
.../min	Por minuto	Revoluciones, carreras, velocidad superficial, órbitas, etc., por minuto

# CARACTERÍSTICAS

## ESPECIFICACIONES DEL PRODUCTO

Temperatura máxima..... 468,3 °C (875 °F)  
Suministro de corriente ..... Paquete de baterías de 18V

## ARMADO

### ADVERTENCIA:

No use este producto si no está totalmente ensamblado o si alguna pieza falta o está dañada. El uso de un producto que no está adecuadamente y completamente ensamblado o posee partes dañadas o faltantes puede resultar en lesiones personales graves.

### ADVERTENCIA:

No intente modificar este producto ni crear aditamentos o accesorios que no estén recomendados para usar con este producto. Dichas alteraciones o modificaciones constituyen un uso indebido y podrían provocar una situación de riesgo que cause posibles lesiones personales graves.

Si hay piezas dañadas o faltantes, le suplicamos llamar al 1-800-525-2579, donde le brindaremos asistencia.

## FUNCIONAMIENTO

### ADVERTENCIA:

No permita que su familiarización con las herramientas lo vuelva descuidado. Tenga presente que un descuido de un instante es suficiente para causar una lesión grave.

### ADVERTENCIA:

Siempre retire el paquete de baterías de la herramienta cuando esté ensamblando partes, realizando ajustes, limpiando o cuando ésta no esté en uso. Retirando el paquete de baterías se evita arrancar accidentalmente la unidad, lo cual puede causar lesiones serias.

### ADVERTENCIA:

Siempre póngase protección ocular con protección lateral con la marca de cumplimiento de la norma ANSI Z87.1. Si no cumple esta advertencia, los objetos que salen despedidos pueden producirle lesiones serias en los ojos.

### ADVERTENCIA:

No utilice ningún aditamento o accesorio no recomendado por el fabricante de esta producto. El empleo de aditamentos o accesorios no recomendados podría causar lesiones serias.

## APLICACIONES

Esta herramienta puede emplearse para los fines enumerados abajo:

- Suavizar pintura y masilla de calafatear o impermeabilizar para facilitar su remoción
- Suavizar adhesivos para poder desprender calcomanías, baldosas de piso, papel tapiz, etc.
- Encoger tubos protectores de conexiones eléctricas
- Encoger película de plástico empleada para envoltura o impermeabilización
- Aflojar tuercas, pernos y accesorios oxidados

## INSTALACIÓN/DESMONTAR DEL PAQUETE DE BATERÍAS

Vea la figura 1, página 9.

- Coloque el paquete de baterías en el producto como se muestra.
- Asegúrese de que los pestillos situados a ambos lados del paquete de baterías entren completamente en su lugar con un chasquido y de que el paquete quede bien asegurado en la herramienta antes de comenzar a utilizarla.
- Oprima los pestillos para extraer el paquete de baterías. Para obtener instrucciones específicas de carga, lea el manual del operador que se incluye con el cargador y la batería.

# FUNCIONAMIENTO

## INSTALACIÓN DE LOS ADITAMENTOS

Vea las figuras 2 y 3, página 9.

Para expandir las capacidades de la pistola de aire caliente se incluyen con la misma algunos aditamentos. Los aditamentos se instalan simplemente colocándolos en el extremo de la boca de la pistola de aire caliente.

**NOTA:** Instale y desmonte los aditamentos sólo cuando se hayan enfriado la boca de la pistola de aire caliente y la boquilla de aditamento.

**Boquilla deflector:** La boquilla es útil para aplicar calor a tubos termoencogibles y descongelar tubos.

**Boquilla concentradora:** La boquilla concentradora intensifica la aplicación de calor en un área específica. Entre los posibles usos de la boquilla está doblar hojas de acrílico, soldar uniones de tubos y dirigir calor hacia esquinas.

## BOTÓN DEL SEGURO DE APAGADO

Vea la figura 4, página 9.

El botón del seguro de apagado reduce la posibilidad de un arranque accidental. El botón del seguro de apagado se encuentra en el mango, arriba del gatillo del interruptor. Debe oprimir el botón del seguro de apagado antes de oprimir el gatillo del interruptor. El seguro se autoengancha cada vez que se suelta el gatillo.

**NOTA:** El botón del seguro de apagado puede oprimirse desde cualquier lado, el izquierdo o el derecho.

## APAGADO Y ENCENDIDO DE LA PISTOLA DE AIRE CALIENTE

Vea la figura 4, página 9.

La pistola de aire caliente tiene un botón del seguro de apagado se encuentra en el mango, arriba del gatillo del interruptor y el cual reduce la posibilidad de un arranque accidental.

- **Para encender la pistola de aire caliente:** Presione el botón del seguro de apagado y oprima el gatillo del interruptor.
- **Para apagar la pistola de aire caliente:** Suelte el gatillo del interruptor.

## DIODO LUMINISCENTE

Vea la figura 5, página 9.

La luz de diodo luminiscente, la cual está situada en la parte frontal de la base de la herramienta, ilumina cuando se oprime el gatillo del interruptor.

Si no se está usando el taladro, la función de tiempo de espera hará que la luz comience a desvanecerse y que luego se apague la herramienta.

La luz de diodo luminiscente se enciende sólo cuando se coloca una batería cargada en la herramienta.

## UTILIZACIÓN DE LA PISTOLA DE AIRE CALIENTE

Vea la figuras 5 y 6, página 9.

### ADVERTENCIA:

No dirija la punta o boca caliente de la pistola hacia la ropa, las manos ni otras partes del cuerpo. El intenso calor de la punta a boca puede causar quemaduras serias o la inflamación de la ropa.

- Instalar el paquete de batería.
- Encendido la pistola de aire caliente.
- Sostenga la pistola de aire caliente con una mano.

### ADVERTENCIA:

No coloque la otra mano en la parte superior de la herramienta ni cerca de la boquilla en ningún momento. Si lo hace, podría sufrir lesiones personales graves.

- Mueva la pistola de aire caliente hasta que la boquilla esté cerca del área que desea calentar.

**NOTA:** Haga una prueba con materiales sobrantes para determinar la temperatura, la distancia y el tiempo adecuados para su trabajo.

### ADVERTENCIA:

Durante el calentamiento, mueva la herramienta hacia delante y hacia atrás. Evite detenerse en un punto, ya que esto podría sobrecalentar o encender el material en cuestión.

- Deje que la pistola de aire caliente y la superficie de trabajo se enfríen lo suficiente y, luego, retire el paquete de baterías.

# MANTENIMIENTO

## **ADVERTENCIA:**

Al dar servicio a la unidad, sólo utilice piezas de repuesto idénticas. El empleo de piezas diferentes puede causar un peligro o dañar el producto.

## **ADVERTENCIA:**

Antes de inspeccionar, limpiar o dar servicio a la máquina, detener la pistola de aire caliente, deje que la unidad se enfríe, y retire el paquete de baterías. La inobservancia de estas instrucciones puede provocar lesiones personales graves o daños a los bienes.

## MANTENIMIENTO GENERAL

Evite el empleo de solventes al limpiar piezas de plástico. La mayoría de los plásticos son susceptibles a diferentes tipos de solventes comerciales y pueden resultar dañados. Utilice paños limpios para eliminar la suciedad, el polvo, el aceite, la grasa, etc.

## LIMPIEZA DE LA PISTOLA DE AIRE CALIENTE

La pistola de aire caliente deben mantenerse limpios, secos y libres de aceite y grasa. Para limpiar la pistola de aire caliente sólo debe utilizarse jabón suave y un paño húmedo. No permita que se introduzca líquido en la herramienta.

Las altas temperaturas de la pistola de aire caliente causan el oscurecimiento de la boca de la pistola al paso del tiempo. Tal cosa es normal y no afecta el desempeño ni la duración de la unidad.

Deben mantenerse limpias y libres de materia extraña las aberturas de ventilación. El método más efectivo de limpiar las aberturas es utilizando aire comprimido. No intente limpiar las aberturas introduciendo objetos puntiagudos en las mismas.

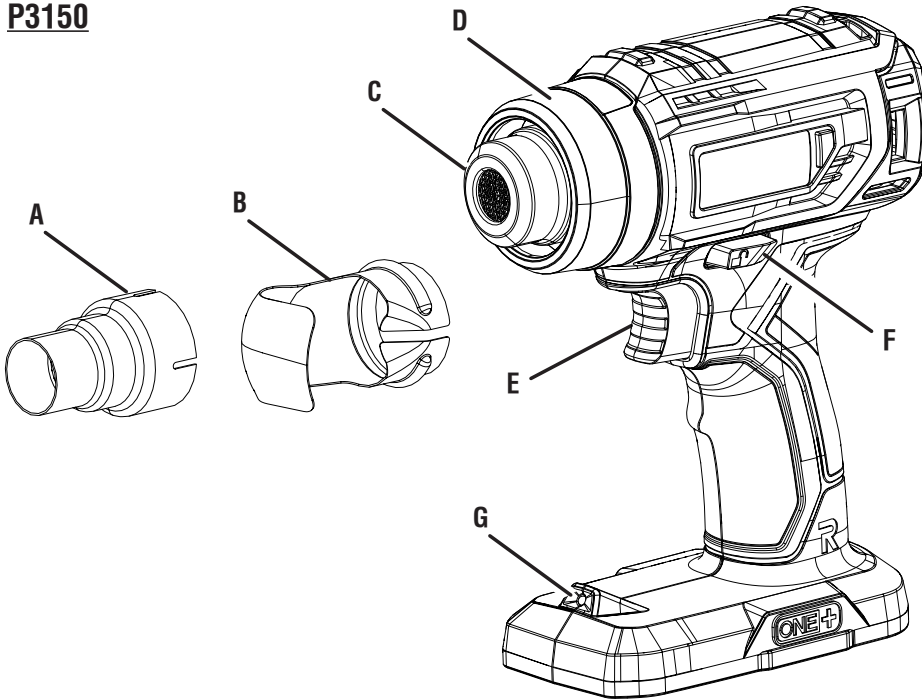
## ALMACENAMIENTO

Siempre permita que se enfríen la pistola de aire caliente y la boquilla de aditamento antes de guardar el conjunto. Guarde la pistola de aire caliente fuera del alcance de los niños y de toda persona no capacitada en el uso de la misma.

## **ADVERTENCIA:**

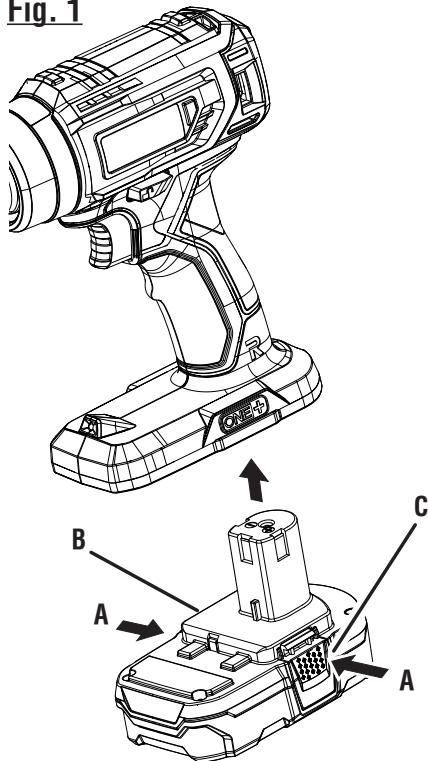
La boca de la pistola de aire caliente permanece caliente durante varios minutos después de usarse la unidad. Siempre permita que se enfríe la pistola de aire caliente antes de guardarla. Con el cumplimiento de esta regla se reduce el riesgo de lesiones corporales y daños físicos serios.

**P3150**



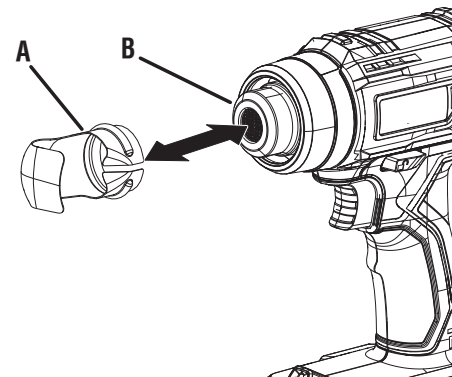
- A - Concentrator nozzle (embout concentrateur, boquilla concentradora)
- B - Deflector nozzle (embout déflecteur, boquilla deflector)
- C - Heat gun nozzle (buse du pistolet thermique, boca de la pistola de aire caliente)
- D - Nose cone (cone de buse, cono de la punta)
- E - Switch trigger (gâchette, gatillo del interruptor)
- F - Lock-off button (bouton de verrouillage, botón del seguro de apagado)
- G - LED light (lampes à del, luz de trabajo de diodo luminiscente)

**Fig. 1**



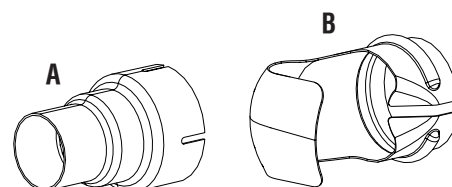
- A - Depress latches to release battery pack (appuyer sur les loquets pour libérer le bloc-piles, para soltar el paquete de baterías oprima los pestillos)
- B - Battery pack (bloc-piles, paquete de baterías)
- C - Latch(es) [loquet(s), pestillos]

**Fig. 2**



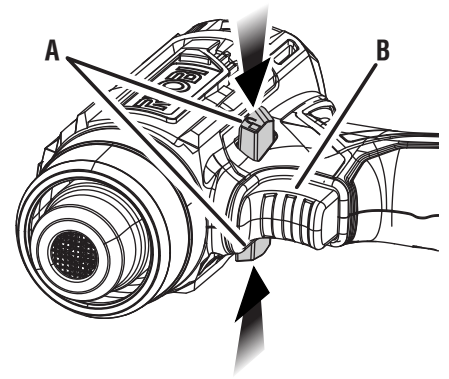
- A - Attachment nozzle (accessoire, boquilla de aditamento)
- B - Heat gun nozzle (buse du pistolet thermique, boca de la pistola de aire caliente)

**Fig. 3**



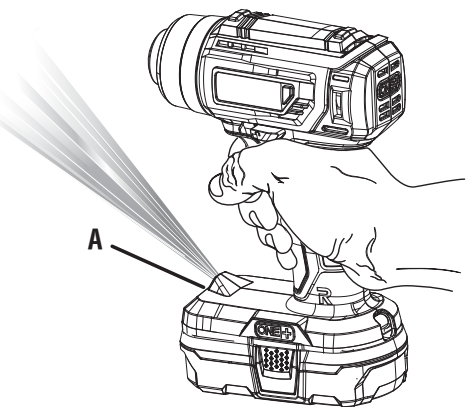
- A - Concentrator nozzle (embout concentrateur, boquilla concentradora)
- B - Deflector nozzle (embout déflecteur, boquilla deflector)

**Fig. 4**



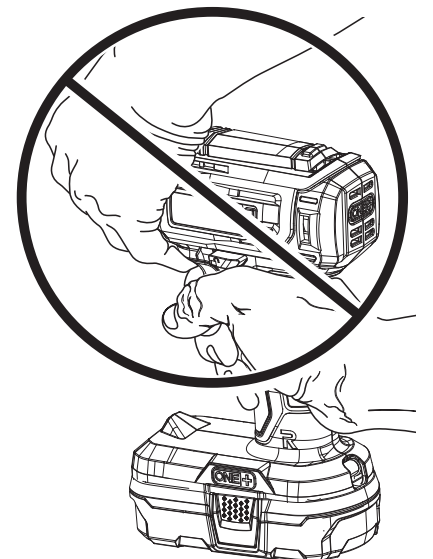
- A - Lock-off button (bouton de verrouillage, botón del seguro de apagado)
- B - Switch trigger (gâchette, gatillo del interruptor)

**Fig. 5**



- A - LED light (lampes à DEL, luz de trabajo de diodo luminiscente)

**Fig. 6**





**OPERATOR'S MANUAL / 18 VOLT HEAT GUN**  
**MANUEL D'UTILISATION / PISTOLET THERMIQUE DE 18 V**  
**MANUAL DEL OPERADOR / PISTOLA DE AIRE CALIENTE DE 18 V**  
**P3150**

To request service, purchase replacement parts,  
locate an Authorized Service Center and obtain Customer or Technical Support:

Visit **www.ryobitools.com** or call **1-800-525-2579**

If any parts or accessories are damaged or missing,  
do not return this product to the store. Call **1-800-525-2579** for immediate service.

Please obtain your model and serial number from the product data plate.

**This product is covered under a 3-year limited Warranty. Proof of purchase is required.**

MODEL NUMBER \_\_\_\_\_ SERIAL NUMBER \_\_\_\_\_

RYOBI is a registered trademark of Ryobi Limited and is used pursuant to a license granted by Ryobi Limited.

Pour faire une demande de réparations ou obtenir des pièces de rechange, trouver un  
Centre de réparations agréé pour obtenir un soutien technique ou le Service à la clientèle :

Visiter **www.ryobitools.com** ou en téléphonant au **1-800-525-2579**

Si des pièces ou accessoires sont manquantes ou endommagées, ne pas retourner  
ce produit au magasin. Appeler immédiatement au **1-800-525-2579** pour obtenir de l'aide.

Inscrire les numéros de modèle et de série inscrits sur la plaque d'identification du produit.

**Ce produit est couvert par une garantie limitée de trois (3) ans. Une preuve d'achat est exigée.**

NUMÉRO DE MODÈLE \_\_\_\_\_ NUMÉRO DE SÉRIE \_\_\_\_\_

RYOBI est une marque déposée de Ryobi Limited et est utilisée en vertu d'une licence accordée par Ryobi Limited.

Para obtener servicio, comprar piezas de repuesto, localizar un centro de servicio autorizado  
y obtener Servicio o Asistencia Técnica al Consumidor:

Visite **www.ryobitools.com** o llame al **1-800-525-2579**

Si hay alguna pieza ou accesorios dañada o faltante, no devuelva este producto a la tienda.  
Llame al **1-800-525-2579** para servicio técnico inmediato.

Obtenga su modelo y número de serie de la placa de datos del producto.

**Este producto está cubierto con una garantía limitada de 3 años. Se solicita prueba de la compra.**

NÚMERO DE MODELO \_\_\_\_\_ NÚMERO DE SERIE \_\_\_\_\_

RYOBI es una marca registrada de Ryobi Limited y se utiliza conforme a una licencia otorgada por Ryobi Limited.

**ONE WORLD TECHNOLOGIES, INC.**

P.O. Box 1288, Anderson, SC 29622 • Phone 1-800-525-2579

États-Unis, Téléphone 1-800-525-2579 • USA, Teléfono 1-800-525-2579

**www.ryobitools.com**