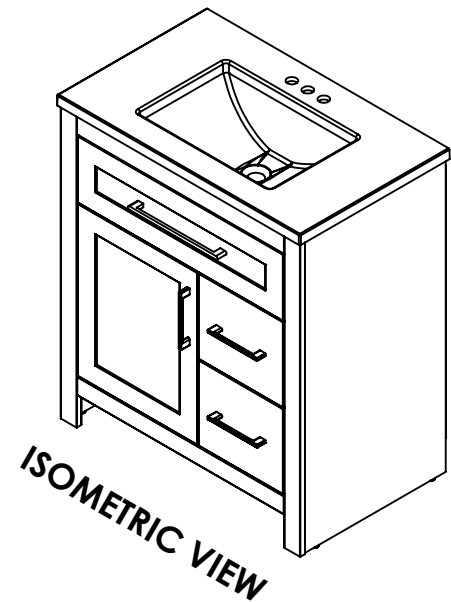
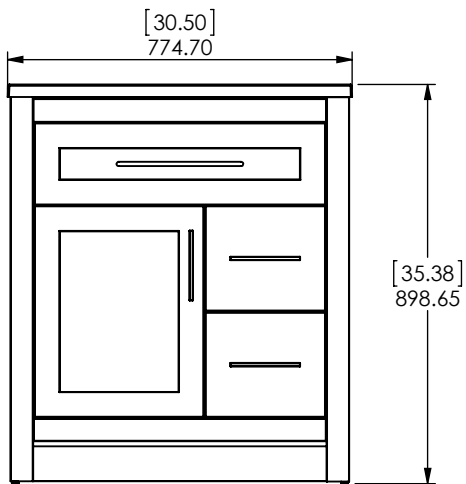


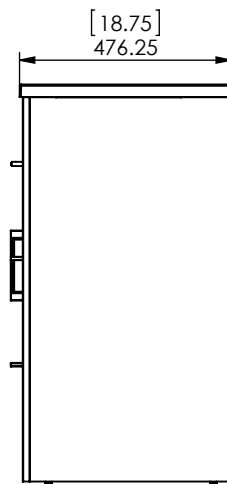
**TOP VIEW**



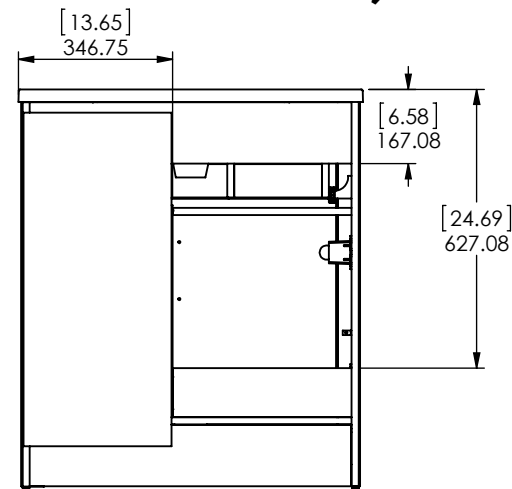
**ISOMETRIC VIEW**



**FRONT VIEW**



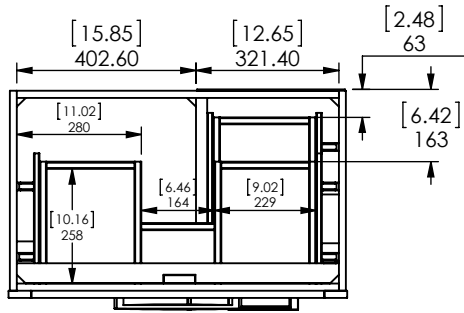
**SIDE VIEW**



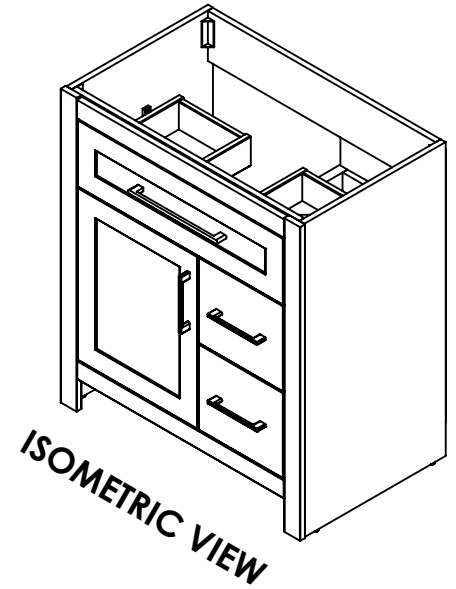
**BACK VIEW**

ITEM:	<b>CY30P2</b>	REV	<b>A</b>
NAME:	30in Clady Combo		
MATERIAL:	----		

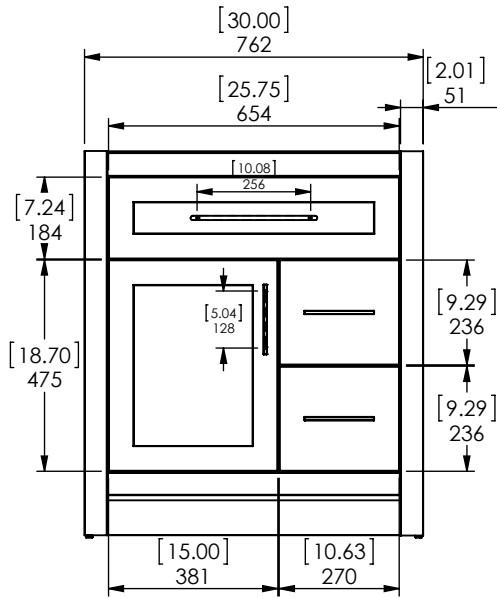
DWR	MMS	08/30/23
REV	ING	
APR	R&D	



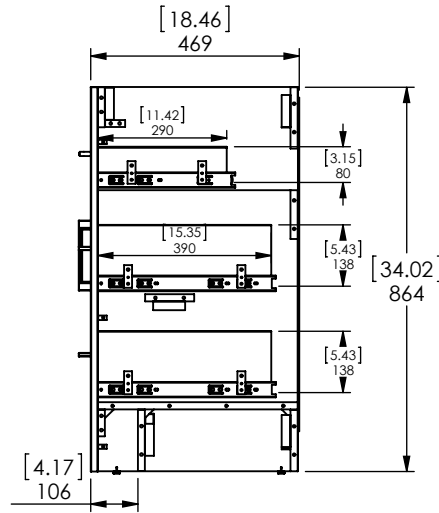
**TOP VIEW**



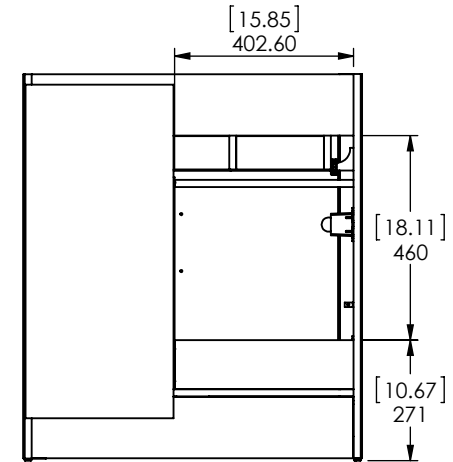
**ISOMETRIC VIEW**



**FRONT VIEW**



**SIDE VIEW**



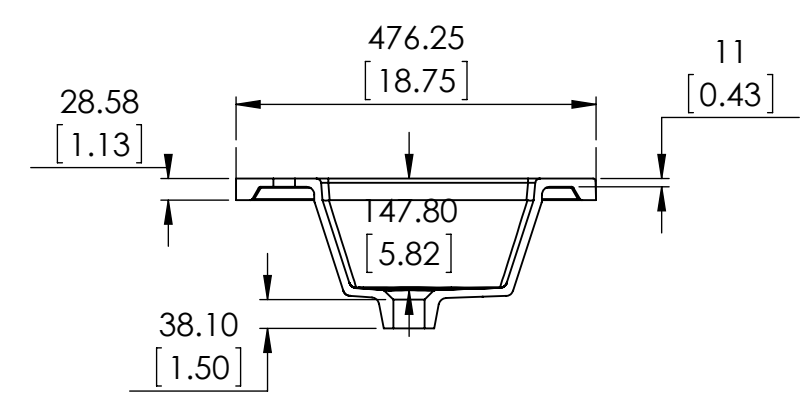
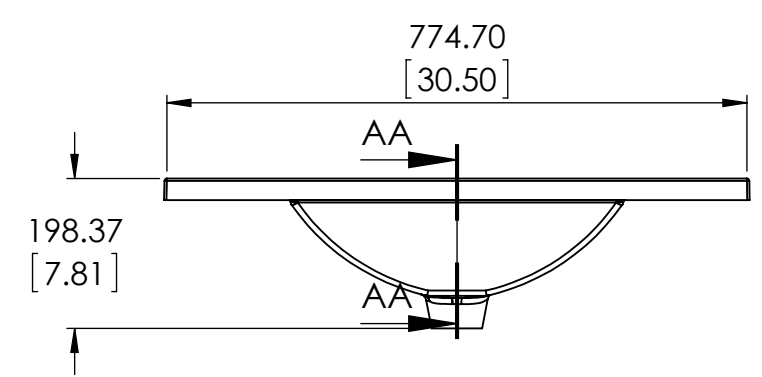
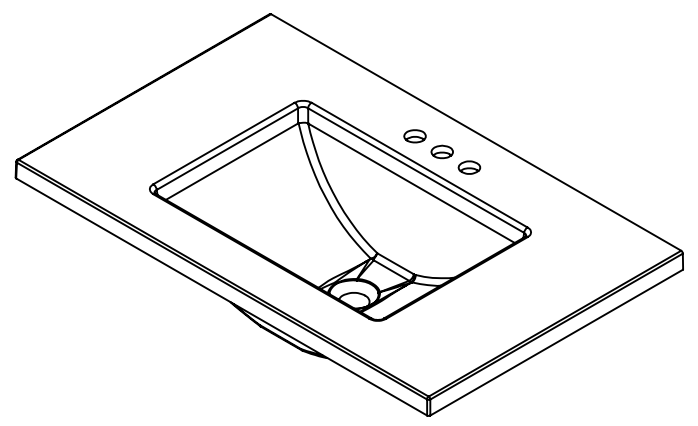
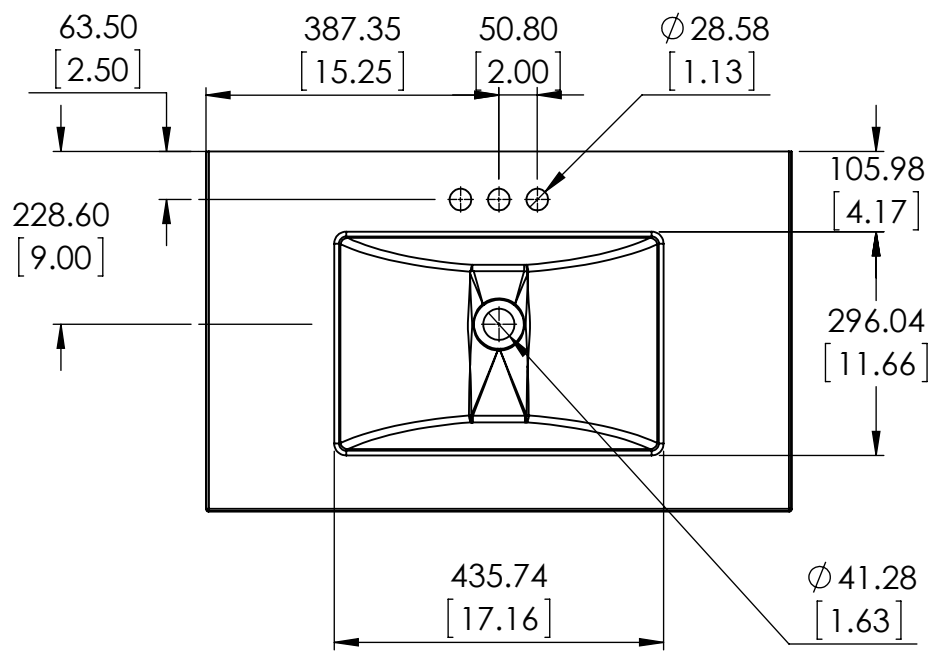
**BACK VIEW**

ITEM:	<b>CY30P2</b>	REV	<b>A</b>
NAME:	30in Clady Combo		
MATERIAL:	----		

DWR	MMS	08/30/23
REV	ING	
APR	R&D	

ITEM TYPE	ITEM ID	ITEM DESCRIPTION	DRAWING STATUS
FG	595794	VTOP 2Tone 30.5x18.75in Rect. Cultured Marble White 4in No/BS	R&D

REV	DESCRIPTION	DATE	APPROVAL
0	RELEASED	08/28/23	E. SANDOVAL



**PROPRIETARY AND CONFIDENTIAL**  
 THE INFORMATION CONTAINED IN THIS DRAWING IS THE SOLE PROPERTY OF WOODCRAFTERS. ANY REPRODUCTION IN PART OR AS A WHOLE WITHOUT THE WRITTEN PERMISSION OF WOODCRAFTERS IS PROHIBITED.

UNLESS OTHERWISE SPECIFIED  
 DIMENSIONS ARE IN MM. AND [INCHES]  
 TOLERANCES ARE  
 + 3.175 [0.125] - 3.175 [0.125]  
 SCALE: 1:10

	NAME	DATE
DRAWN	G. REYES	8/28/23
CHECKED	O. RAZO	8/28/23
ENG APPR.	J. GUZMAN	8/28/23
MFG APPR.	V. SANCHEZ	8/28/23

**MASTERBRAND**  
 SIZE DWG. NO. **A** SHEET 1 OF 1  
 FG