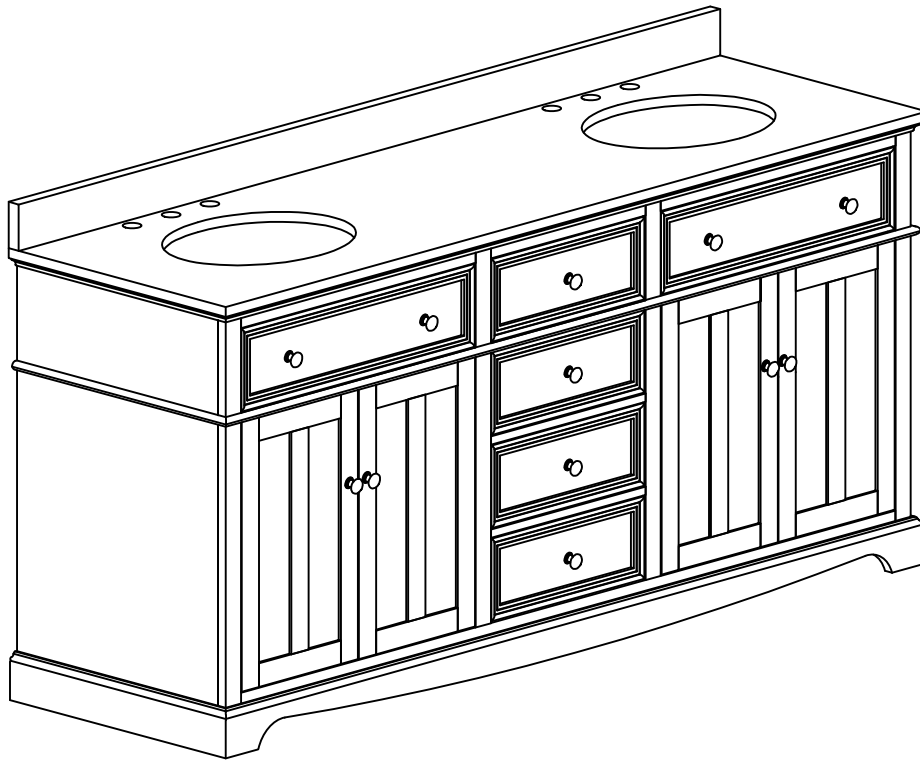


ASSEMBLY INSTRUCTIONS

FREMONT 72 INCH VANITY



Questions, problems, missing parts? Before returning to the store,
call Home Decorators Collection Customer Service
8 a.m - 7 p.m., EST Monday- Friday, 9 a.m. 6 p.m.,EST, Saturday

1-800-986-3460

[HOMEDEPOT .COM/HOMEDECORATORS](http://HOMEDEPOT.COM/HOMEDECORATORS)

THANK YOU

We appreciate the trust and confidence you have placed in Home Decorators Collection through the purchase of this Vanity. We strive to continually create quality products designed to enhance your home. Visit us online to see our full line of products available for your home improvement needs.

Thank you for choosing Home Decorators Collection!

Table of Contents

Table of Contents	2	Assembly	6
Safety Information	2	1 Adjusting the leveler.....	6
Warranty	2	2 Adjusting the shelves.....	6
Limited lifetime Warranty.....	3	3 Removing the drawers.....	6
What is Covered.....	3	4 Installing the drawers back into the vanity..	7
What is not Covered.....	3	5,6,7 Installing the backsplash.....	8
California and Minnesota Residents	3	8 Aligning the doors (optional).....	9
California residents.....	3	9 Installing the faucet.....	10
Minnesota residents.....	3	10 Replacing knobs (optional).....	11
Pre-assembly	4	Optional-Remove Top	13
Planning Assembly.....	4	1 Opening the doors	13
Tools Required.....	4	2 Taking out the top	13
Hardware Included.....	4	3 Reinstalling the existing top.....	14
Pre-assembly (continued)	5	4 Pulling the doors back its place.....	15
Parts included.....	5	Maintenance	16
Package Contents.....	5	Care and Cleaning	16
		Troubleshooting	16

Safety Information

DANGER

- Keep small parts away from children during assembly.
- Failure to follow warning and cautions could result in serious injury.
- Product is designed to hold 250 lbs. Exceeding this limit may damage the product or cause injury to the user.
- DON'T use harsh bathroom cleaners or grout cleaners on any natural stone.

WARNING

- Read these instructions carefully and keep in a safe place.
- Adult assembly required.
- This product should only be used on flat, level surface.
- Do not over tighten connectors (screws, bolts, etc.) Overtightening can lead to product damage.
- Small parts may present choking hazard prior to assembly.
- Do not stand, step or climb on unit.

CAUTION

- USE preventative cleaning measures to keep your stone pristine.
- USE sealers according to the product specific directions.
- Blot spills quickly, and wash with mild soap and warm water.
- Stone countertops (Granite, Marble, etc.) are surprisingly resilient to stains and scratches. However, as a preventative measure, any spills on the stone surfaces should be wiped up within a reasonable amount of time. Don't let liquid sit on the stone overnight. Stones are most prone to staining by oil and acid, so be sure to blot these spills up as soon as they happen. Follow up by cleaning the stone with a mild non-abrasive soap and water.
- Be sure to check all packing materials carefully for small parts that may have come loose inside the carton during shipment. If parts are missing, contact THE HOME DEPOT to obtain any missing parts.
- Using abrasive cleansers will damage the surface.

Warranty

This warranty applies to the distributor's vanities installed for commercial and residential use. The distributor warrants that, when installed in accordance with the Recognized Plumbing Industry Practice, the vanities are free of manufacturing defects for a period of one (1) year from the date of purchase.

We guarantee your satisfaction with each vanity. Should any vanity not meet your satisfaction due to a visual defect, simply return it to your retailer with the original packaging, prior to installation, for a replacement.

This warranty applies only to the original purchaser and installation site and is not transferable.

HOMEDEPOT.COM/HOMEDECORATORS
Please contact 1-800-986-3460 for further assistance.

LIMITED LIFETIME WARRANTY

WHAT IS COVERED

Home Decorators Collection products are manufactured with superior quality standards and workmanship and are backed by our limited lifetime warranty. Home Decorators Collection products are warranted to the original consumer purchaser to be free of defects in materials or workmanship. We will replace FREE OF CHARGE any product or parts that proves defective. Simply, return the product / part to any of The Home Depot retail locations or call 1-800-986-3460 to receive the replacement item. Proof of purchase (original sales receipt) from the original consumer purchaser must be made available for all Home Decorators Collection warranty claims.

WHAT IS NOT COVERED

This warranty excludes incidental/consequential damages and failures due to misuse, abuse or normal wear and tear. This warranty excludes all industrial, commercial & business usage, whose purchasers are hereby extended a five-year limited warranty from the date of purchase, with all other terms of this warranty applying except the duration of warranty. Some states and provinces do not allow the exclusion or limitation of incidental or consequential damages, so the above limitations may not apply to you. This warranty gives you specific legal rights and you may also have other rights that vary from state to state and province to province. Please see a store or contact 1-800-986-3460 for more details.

California and Minnesota Residents

CALIFORNIA RESIDENTS



WARNING THIS PRODUCT CAN EXPOSE YOU TO FORMALDEHYDE WHICH IS KNOWN TO THE STATE OF CALIFORNIA TO CAUSE CANCER. FOR MORE INFORMATION, GO TO WWW.P65WARNINGS.CA.GOV.

MINNESOTA RESIDENTS

"IMPORTANT HEALTH NOTICE.

SOME OF THE BUILDING MATERIALS USED IN THIS HOME (OR THESE BUILDING MATERIALS) EMIT FORMALDEHYDE. EYE, NOSE, AND THROAT IRRITATION, HEADACHE, NAUSEA AND A VARIETY OF ASTHMA-LIKE SYMPTOMS, INCLUDING SHORTNESS OF BREATH, HAVE BEEN REPORTED AS A RESULT OF FORMALDEHYDE EXPOSURE. ELDERLY PERSONS AND YOUNG CHILDREN, AS WELL AS ANYONE WITH A HISTORY OF ASTHMA, ALLERGIES, OR LUNG PROBLEMS, MAY BE AT GREATER RISK. RESEARCH IS CONTINUING ON THE POSSIBLE LONG-TERM EFFECTS OF EXPOSURE TO FORMALDEHYDE.

REDUCED VENTILATION MAY ALLOW FORMALDEHYDE AND OTHER CONTAMINANTS TO ACCUMULATE IN THE INDOOR AIR. HIGH INDOOR TEMPERATURES AND HUMIDITY RAISE FORMALDEHYDE LEVELS. WHEN A HOME IS TO BE LOCATED IN AREAS SUBJECT TO EXTREME SUMMER TEMPERATURES, AN AIR-CONDITIONING SYSTEM CAN BE USED TO CONTROL INDOOR TEMPERATURE LEVELS. OTHER MEANS OF CONTROLLED MECHANICAL VENTILATION CAN BE USED TO REDUCE LEVELS OF FORMALDEHYDE AND OTHER INDOOR AIR CONTAMINANTS.

IF YOU HAVE ANY QUESTIONS REGARDING THE HEALTH EFFECTS OF FORMALDEHYDE, CONSULT YOUR DOCTOR OR LOCAL HEALTH DEPARTMENT."

Pre-assembly

PLANNING ASSEMBLY

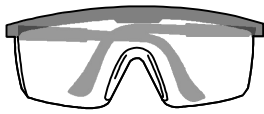
Check the vanity for damage before installation. If any part of the vanity is missing or damaged, contact the Customer Service Team at 1-800-986-3460.

Ensure that the vanity location is accessible to water supply and drain lines. It is recommended that you rough-in the water lines and drain before installing the vanity.

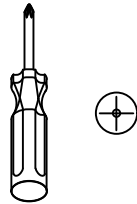


NOTE: A drain pipe and trap are not included with this vanity.

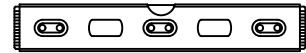
TOOLS REQUIRED



Safety goggles



Phillips screwdriver

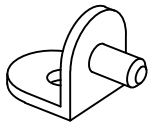


Level

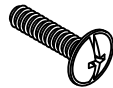
HARDWARE INCLUDED



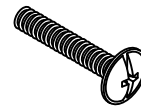
NOTE: Hardware not shown to actual size and they are pre-installed.



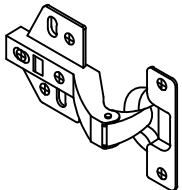
AA



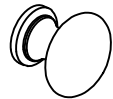
BB



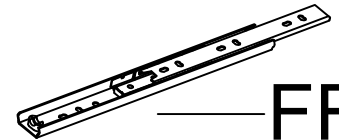
CC



DD



EE1



FF



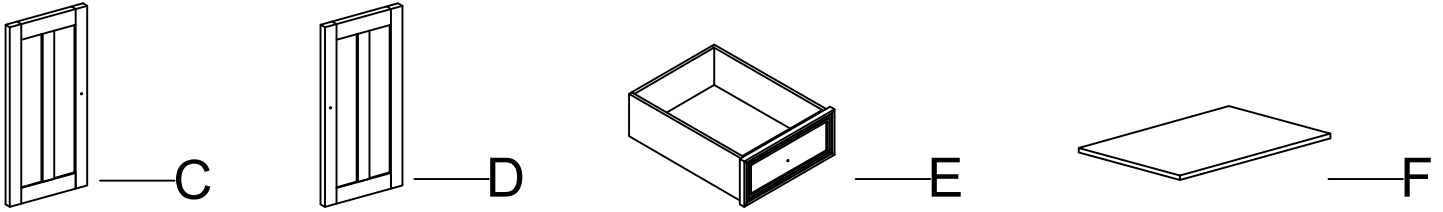
GG

Part	Description	Quantity
AA	Shelf pins	8
BB	Screws for door knob and front panel knob (short)	8
CC	Screws for drawer knob (long)	4
DD	European hinges	8
EE1	Brushed nickel knobs (pre-installed)	12
FF	Ball bearing glides	8
GG	Adjust levelers	4

HOMEDPOT.COM/HOMEDECORATORS
Please contact 1-800-986-3460 for further assistance.

Pre-assembly (continued)

PARTS INCLUDED

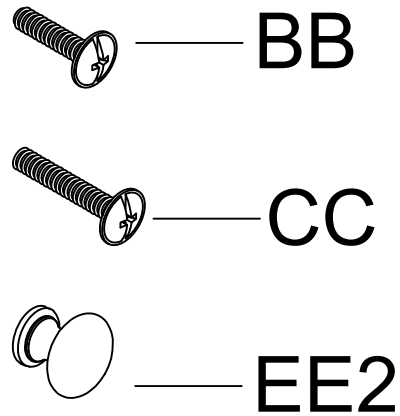
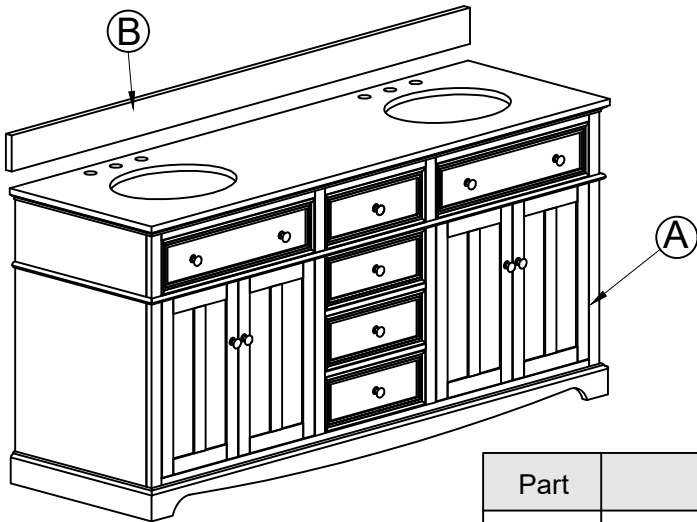


Part	Description	Quantity
C	Left Doors	2
D	Right Doors	2
E	Middle drawers	4
F	Adjust shelves	2

PACKAGE CONTENTS



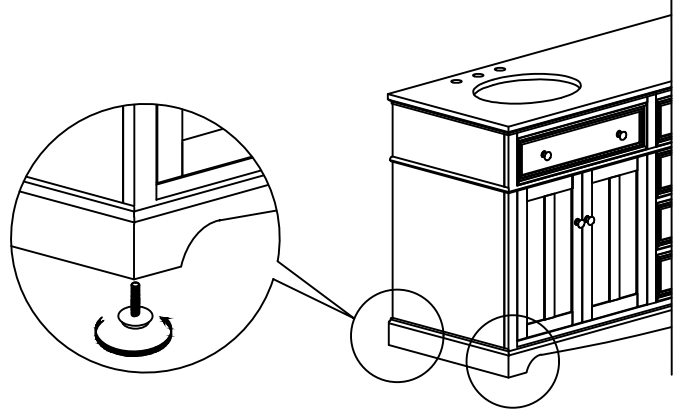
NOTE: Hardware not shown to actual size.
There are two knob sets: The brushed nickel ones are pre-installed, and the brushed gold ones are in hardware bag. Use which you prefer.



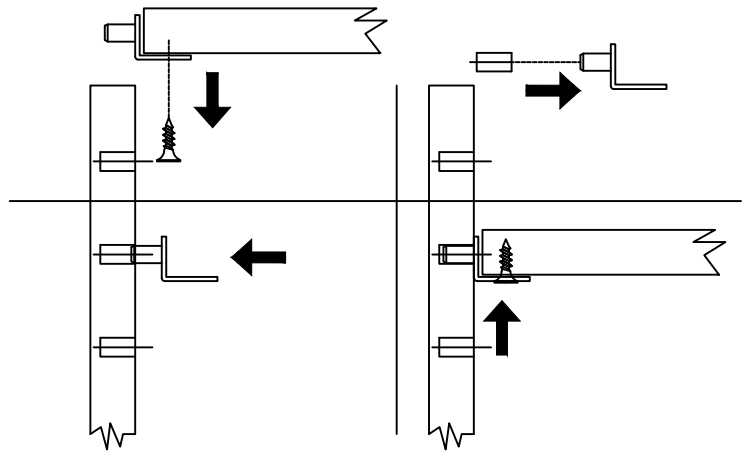
Part	Description	Quantity
A	Vanity	1
B	Backsplash	1
BB	Screws for door knob and front panel knob (short)	8
CC	Screws for drawer knob (long)	4
EE2	Brushed gold knobs (in hardware bag)	12

Assembly

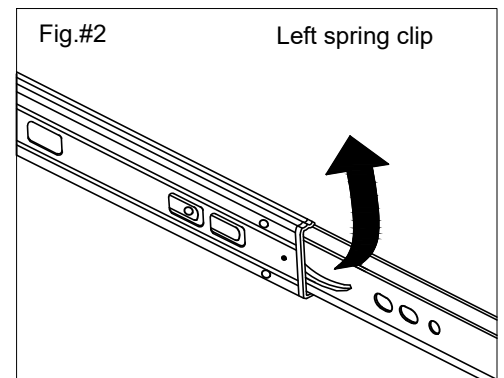
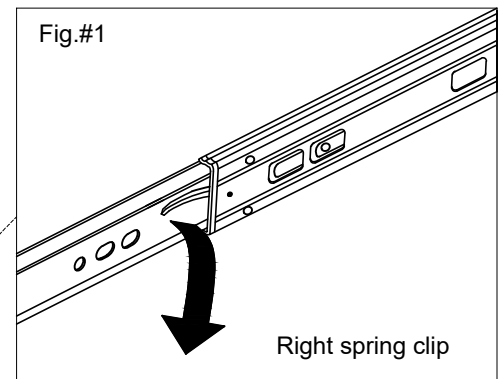
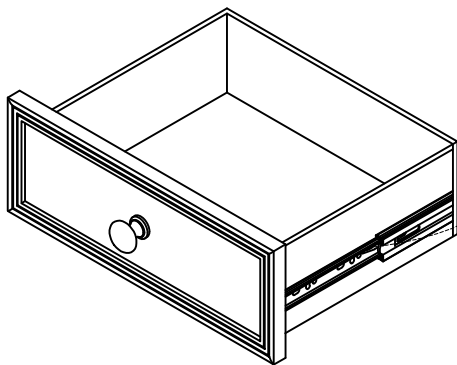
- 1** Adjusting the leveler
- Adjust the leg levelers to ensure that the vanity is even.



- 2** Adjusting the shelves
- Remove the shelf screws securing the shelf to the shelf pins.
 - Remove the shelf from the floor cabinet.
 - Insert the shelf pins into the desired holes. Ensure that all the shelf pins are level.
 - Gently insert the shelf into the vanity and secure it to the shelf pins using the shelf screws.



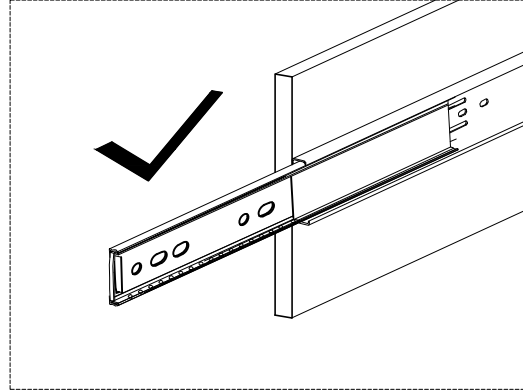
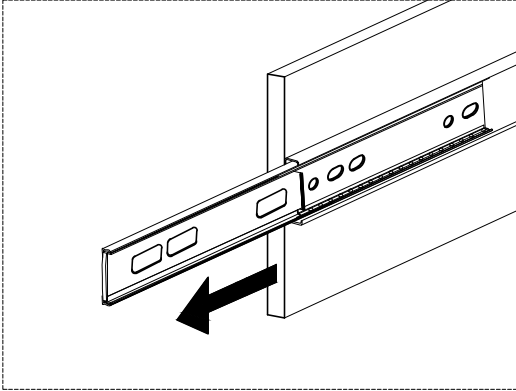
- 3** Removing the drawers
- Open the drawer as far as possible.
 - Identify the plastic spring clips located in both slides.
 - At the same time, press the right slide spring clip downward and the left slide spring clip upward (Fig.#1 & Fig.#2).
 - Once both spring clips are held in the indicated position, pull the drawer straight out..



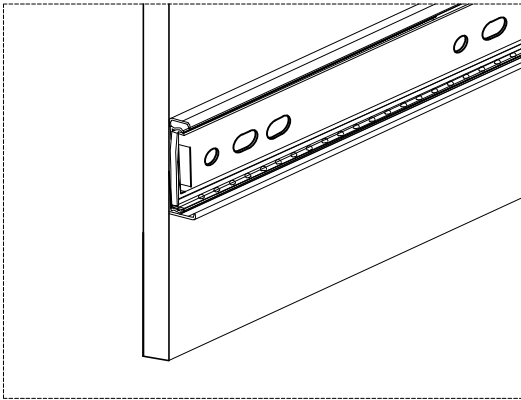
Assembly

4 Install the drawers back into the vanity

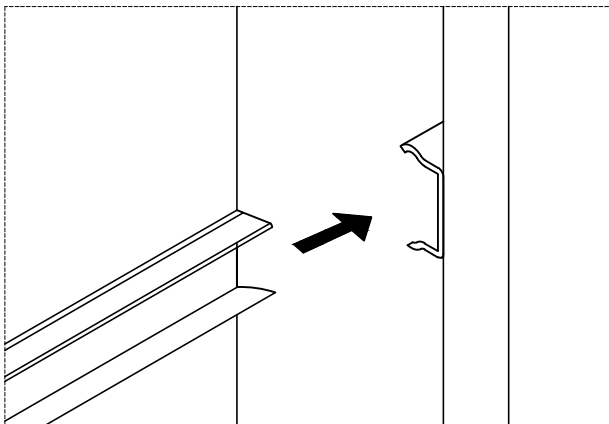
- Pull out slide. Slide bearings forward.



- Push slide back inside. Repeat for every slide.



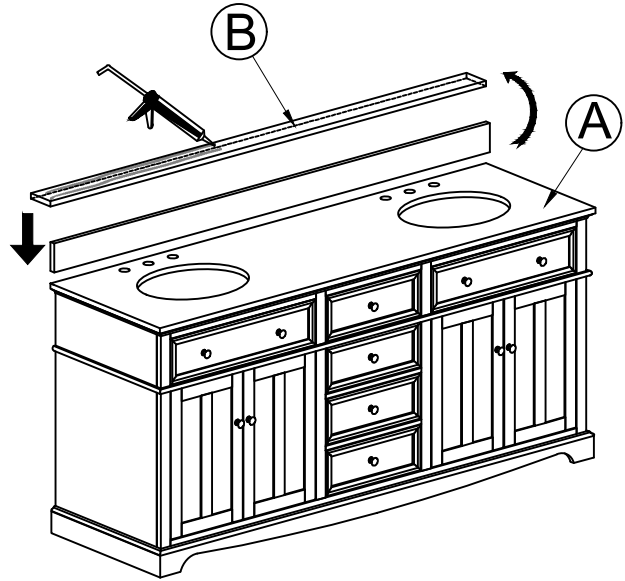
- Insert into slide slot correctly. Push the drawer into the vanity body with even force.



Assembly

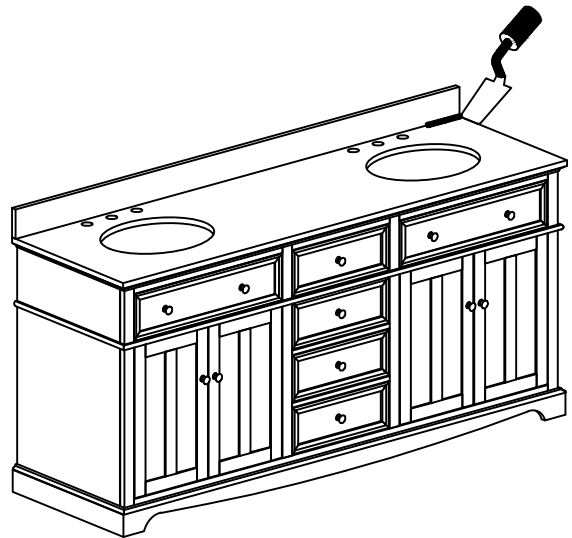
5 Installing the backsplash

- Apply silicone to the unpolished back side and bottom of the Backsplash (B).
- Place the backsplash (B) on the vanity (A). Be sure to align the backsplash (B) with the top of the vanity (A).
- Allow the silicone to dry before using the vanity.



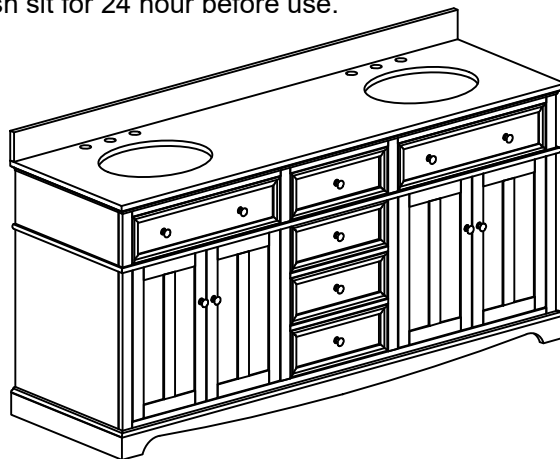
6 Installing the backsplash

- Gently remove excess glue from the connecting area.



7 Installing the backsplash

- Let the vanity and backsplash sit for 24 hour before use.



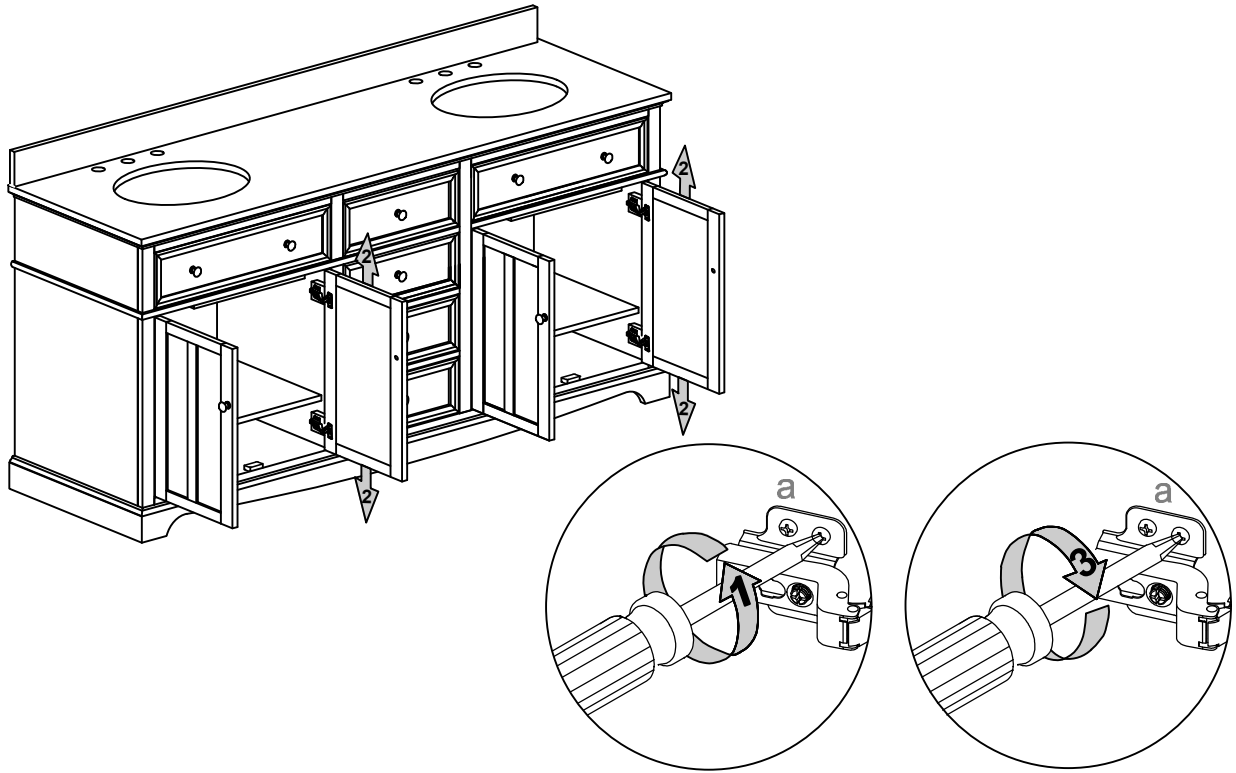
HOMEDEPOT.COM/HOMEDECORATORS
Please contact 1-800-986-3460 for further assistance.

Assembly

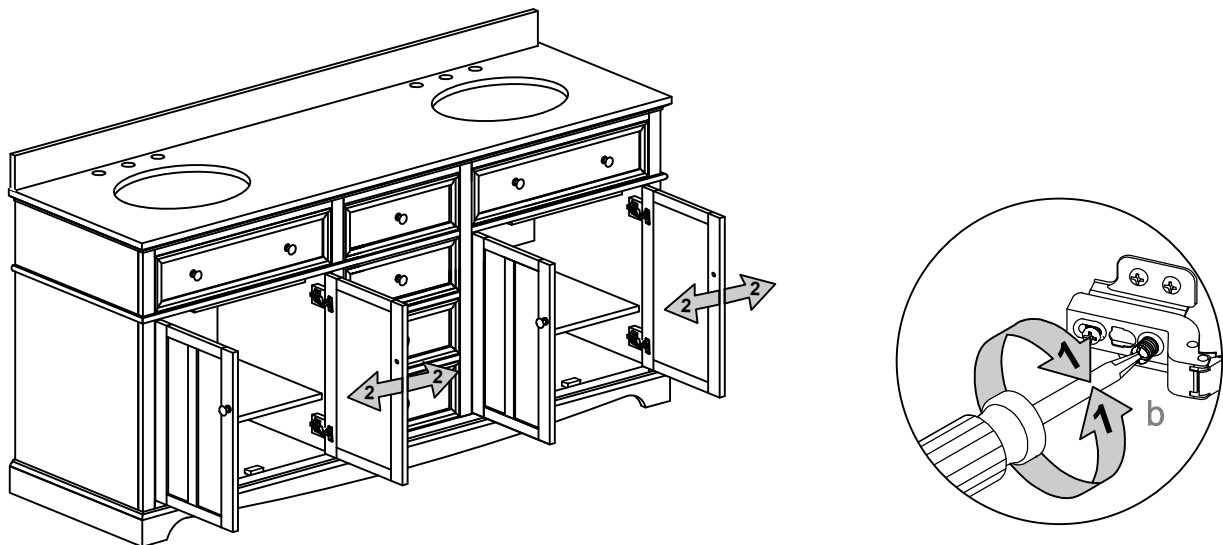
8 Aligning the doors (optional)

If you need to adjust the doors, do so in the following manner.

- To adjust the door up or down, loosen screws (a) on both hinges (1), adjust door (2), and retighten screws (3).

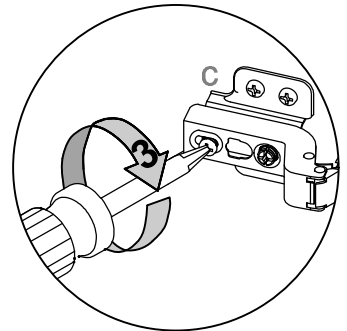
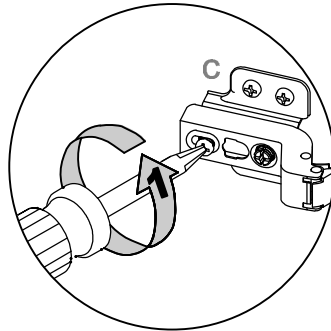
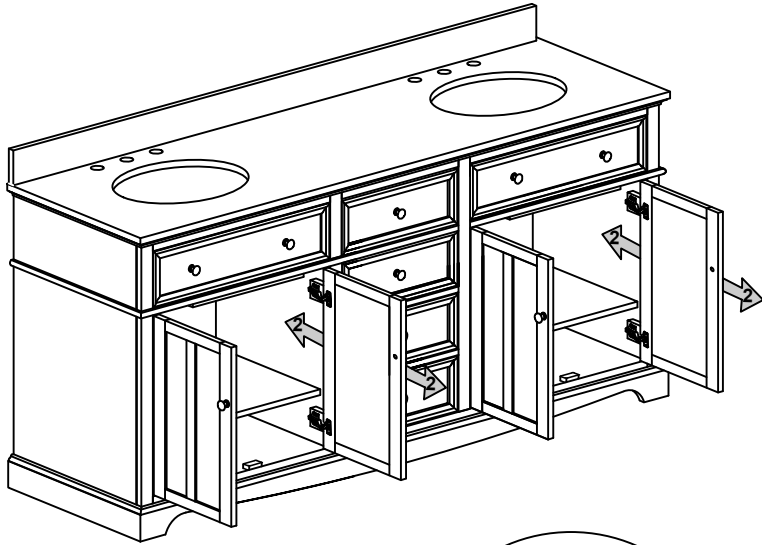


- To adjust the door left or right, turn screws (b) on both hinges (1), in or out (2).



Assembly

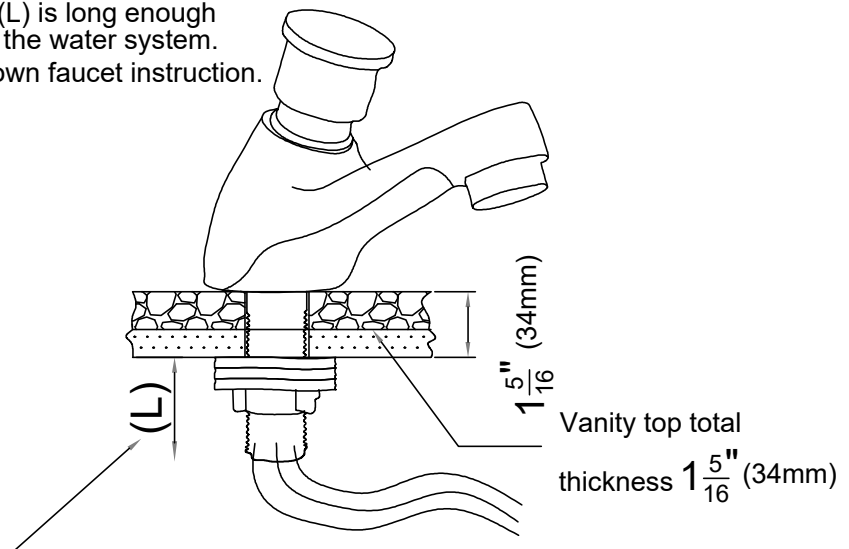
- To adjust the door in or out, loosen screws (C) on both hinges (1), adjust door (2), and retighten screws (3).



9

Installing the faucet (not included in the package)

- Make sure the thread of the faucet (L) is long enough to fix to the vanity top and connect the water system.
- Installing the faucet base on your own faucet instruction.



Make sure the thread of the faucet (L) is long enough to fix to the vanity top and connect the water system

HOMEDPOT.COM/HOMEDECORATORS
Please contact 1-800-986-3460 for further assistance.

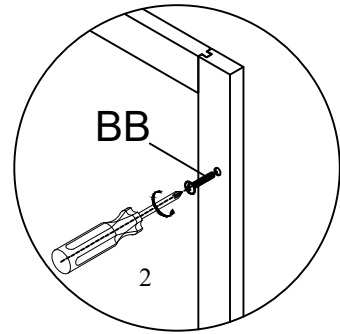
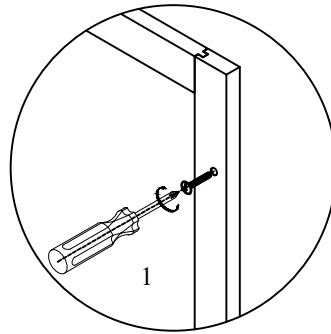
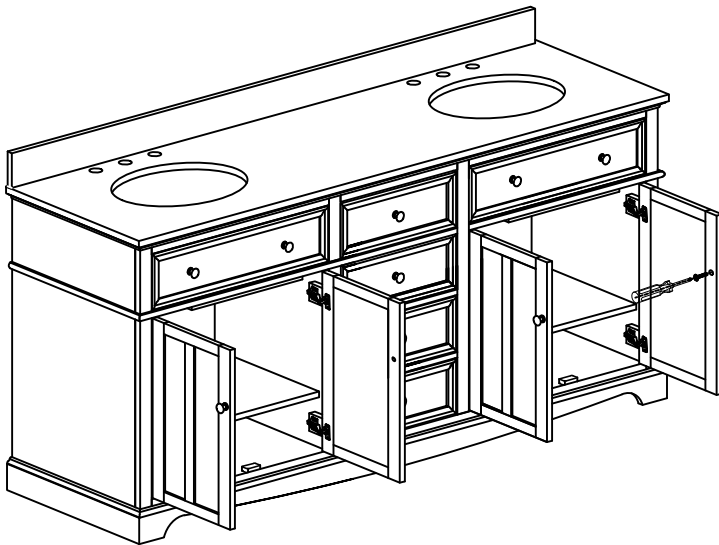
Assembly

10 Replacing knobs (optional)

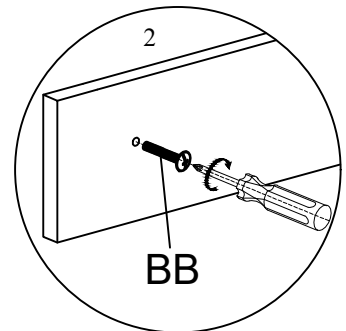
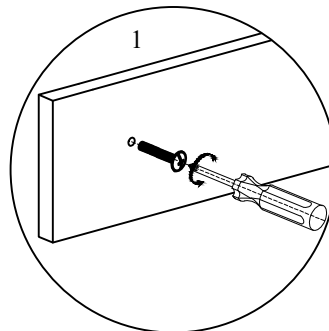
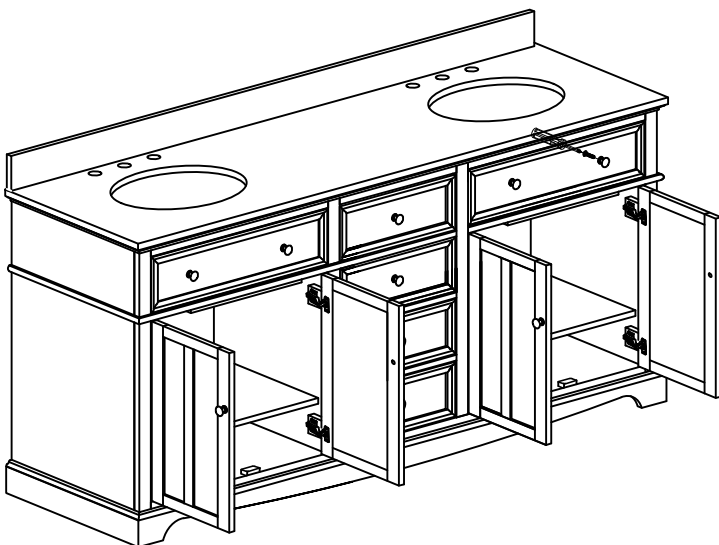
- Open the a door/a drawer.
- Use a screwdriver (not provided) to unscrew the screws of knob. Do not close drawer/door unless the new knob is installed.
- Replace the knob: Secure the new knob with its own screw.
- Repeat for the remaining doors/drawers.



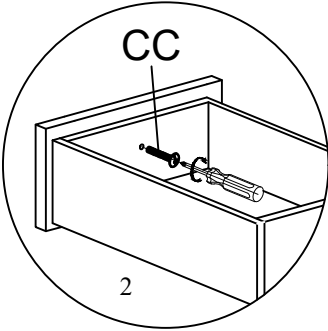
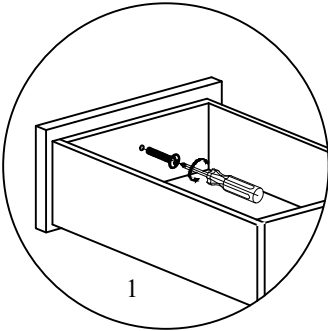
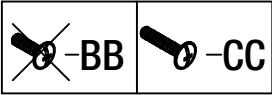
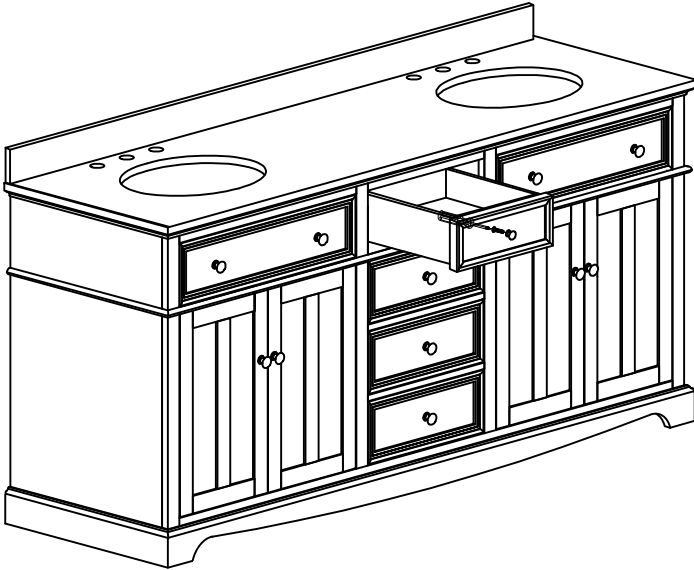
NOTE: Do not close drawer/door unless the new one is installed. It's better to replace each one one time.



NOTE: Remove the shelves if needed (refer to step 2 page 6).
Use proper screwdriver to replace knob due to narrow operating space.

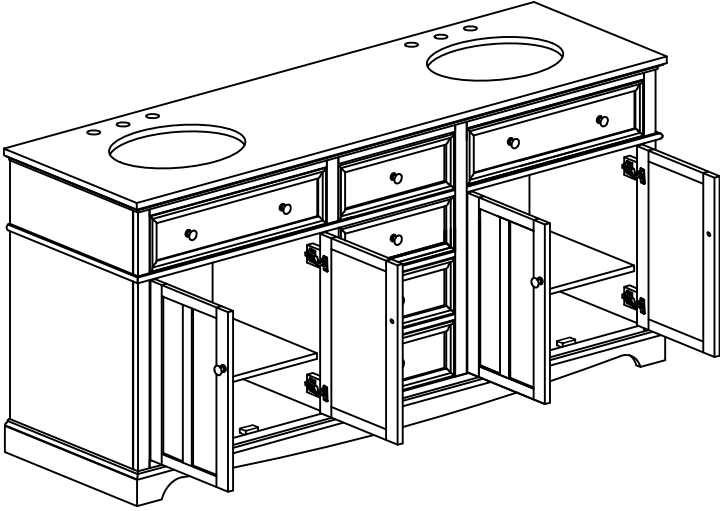


Assembly



Optional-Remove Top

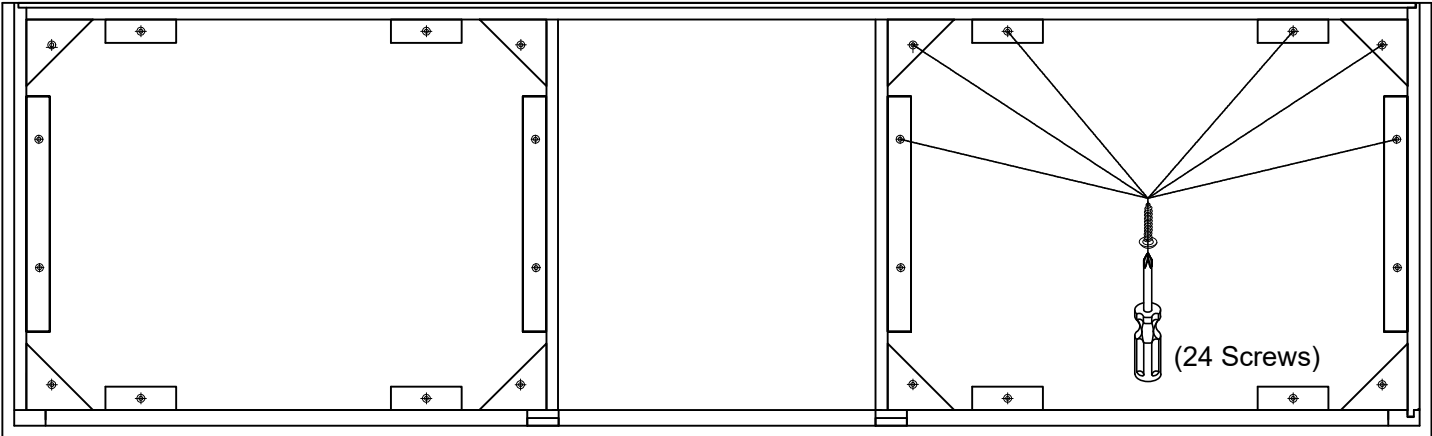
1 Opening the doors



2 Taking out the top

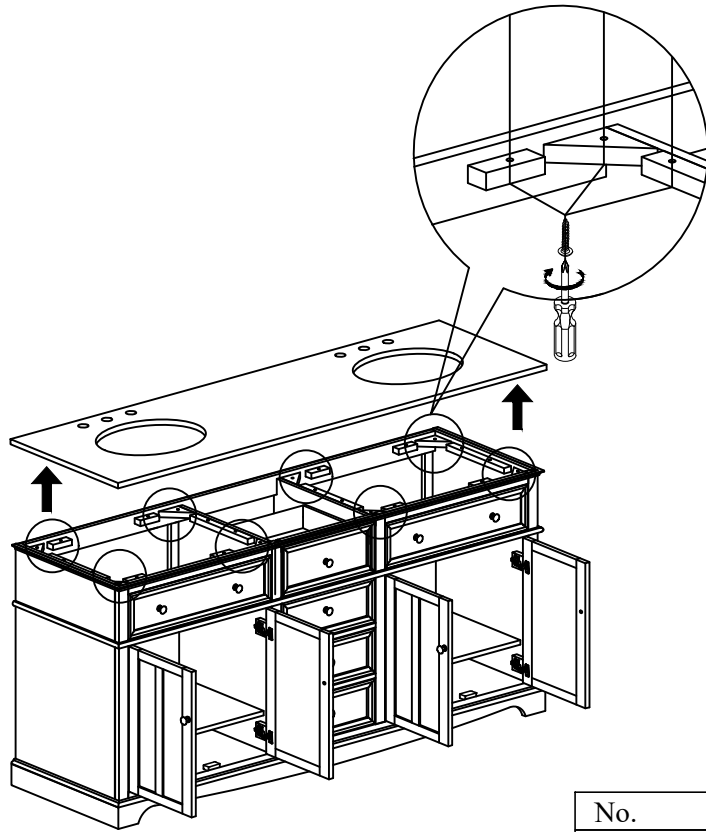
Use a screwdriver (not provided) to unscrew/ secure these 24 screws to uninstall/reinstall the top.


Screws for fixing top layout



Top panel

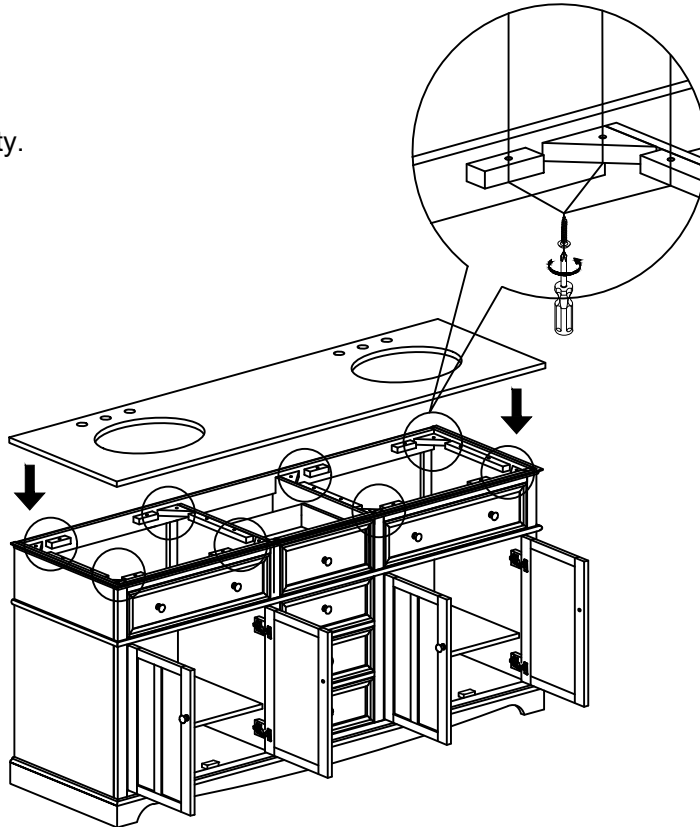
Optional-Remove Top




No.	Sketch	Qty
Wood Screws		24

3 Reinstalling the existing top

- Place back the top on the vanity.
Tighten these screws.



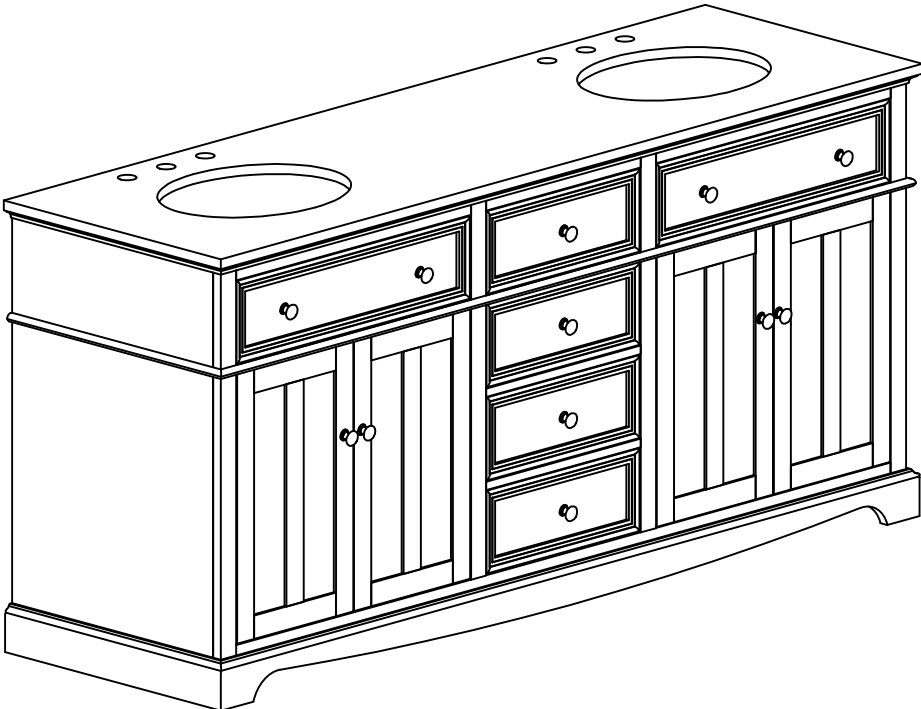
*Note: When vanity top is preinstalled.

No.	Sketch	Qty
Wood Screws		24

HOMEDEPOT .COM/HOMEDECORATORS
Please contact 1-800-986-3460 for further assistance.

Optional-Remove Top

4 Pulling the doors back its place



Maintenance

- In the event that your furniture is stained or otherwise damaged during use, we recommend that you call a professional to repair your furniture.
- Check bolts/screws periodically and tighten them if necessary.

Care and Cleaning

- Rinse vanity top with clean, hot water frequently.
- Blot spills quickly, and wash with mild soap and warm water.
- Clean the surface with a glass cleaner or other household cleansers that are non-abrasive
- Remove oil-based stains with acetone, mineral spirits, or ammonia.
- Organic stains like coffee, tea, or juice can be removed with hydrogen peroxide, mixed with a few drops of ammonia.
- Water spots or rings can be removed by buffing the spots gently with 00-gauge steel wool.
- Small nicks and scratches can often be removed the same way.
- Larger scratches, chips, and resilient stains may require professional help. Please contact your local stonemason for details.
- Use if you have Natural Stone Your stone was sealed at the factory, but reapplication is necessary over time. How often is determined by the quality of the sealer used, and the frequency of use. We recommend using a penetrating non-toxic sealer for bath areas.

Troubleshooting

PROBLEM	POSSIBLE CAUSE	CORRECTIVE ACTION
The vanity is tilted.	The levelers are not level.	Adjust the levelers to ensure they are level.

HOME DECORATORS COLLECTION

Questions, problems, missing parts? Before returning to the store,
call Home Decorators Collection Customer Service
8 a.m - 7 p.m., EST Monday- Friday, 9 a.m. 6 p.m.,EST, Saturday

1-800-986-3460

[HOMEDEPOT.COM/HOMEDECORATORS](https://www.homedepot.com/homedecorators)

Retain this manual for future use.