

POWERNAIL® CO.

Model 2000F Pneumatic Powernailer™



OPERATION AND MAINTENANCE MANUAL MANUAL DE OPERACION Y DE MANTENIMIENTO MANUEL D'INSTRUCTIONS ET D'ENTRETIEN

WARNING



Read this manual before you use this Powernailer®. Follow all safety warnings and instructions. If you are uncertain about the operation of the nailer, call us directly at 1-800-323-1653 for assistance or contact the closest Powernail Dealer for help. Please retain this information for future reference.

REV 16.03.01

INTRODUCTION

The Model 2000F trigger-pull nailer is designed to bring Powernail quality and flooring expertise to a pneumatic nailer. The Model 2000F is designed for use with 1" and 1-1/4", 20 gauge L-Cleat Powernails®. The Model 2000 nails from 5/16" to 9/16" flooring through the use of a FLEX adjustable foot assembly that can be adjusted to fit different flooring profiles.

INDEX

Index.....	2	Troubleshooting Chart... 9
Warranty.....	2	Schematic / Parts List.. 10-11
Operating the tool.....	4-6	Nail Depth Chart.....12
Air Supply.....	5	Phone Support..... 12
Safety Labels.....	7	Web Site.....12
Maintenance.....	7	Powernail Company Info 12
Clearing a jam.....	8	

LIMITED WARRANTY

POWERNAIL® Company, Inc. warrants to its customer, and to the first end-use purchaser of POWERNAIL Model 2000F POWERNAILER purchased from an authorized POWERNAIL distributor, that each serialized manufactured Model 2000F POWERNAILER by POWERNAIL®, for a period of 12 months from the date of purchase; shall be free of defects in materials and workmanship and will meet POWERNAIL'S specifications in effect at the time of product shipment. POWERNAIL will repair or replace, at its option, any Model 2000F POWERNAILER that does not conform to this warranty. Claims must be made no later than fifteen (15) days after the end of the warranty period. POWERNAIL will perform all repair or replacements itself or through its authorized distributors. POWERNAIL is not responsible for shipping, labor or other direct or indirect costs. Damage caused by abuse, misuse, unusual or excessive wear is excluded. Repair or modification of the Products by unauthorized parties will void this warranty. The customer is responsible for returning Products to POWERNAIL for verification of nonconformance. Warranties for Products not manufactured by POWERNAIL are limited to warranties provided to POWERNAIL by the manufacturer of such product that are assignable to customer.

THESE WARRANTIES AND REMEDIES ARE EXCLUSIVE OF ALL OTHERS, EXPRESS OR IMPLIED. THE WARRANTIES OF MERCHANTABILITY AND FITNESS FOR PURPOSE ARE EXPRESSLY EXCLUDED. IN NO EVENT SHALL POWERNAIL'S LIABILITY FOR A WARRANTY CLAIM EXCEED THE PRICE PAID TO POWERNAIL FOR THE NONCONFORMING PRODUCT, REGARDLESS OF THE FORM OR BASIS OF THE CLAIM OR CAUSE OF ACTION.

SAFETY INSTRUCTIONS



When operating this Nailer, the operator and others in the work area should ALWAYS wear approved SAFETY GLASSES, with front and side eye protection. Eye protection will help guard against flying nails and debris, which could cause severe eye injury.



EAR PROTECTION should be used to prevent hearing damage when there are high noise levels in the work area. ALWAYS use ear plugs with a noise reduction rated at 29 db or higher at a construction site.

Do not operate this tool if it does not contain a legible WARNING LABEL.

Noise characteristic values in accordance with ENxx1:

A-weighted single-event sound pressure level at operator's position: LPA, ls94dBA

A-weighted single sound pressure level: LpA, ls, lm89dBA

Vibration characteristic values in accordance with ISO 8662, PART II

Weighted root mean square acceleration 3.2m/s²

Always DISCONNECT THE AIR SUPPLY before making any adjustments, repairing, clearing jams or when the Nailer is not in use. Do not use on scaffolding or ladders and disconnect nailer from air supply when transporting between installation areas.

Never attach the female end of a quick disconnect to the Nailer. This will trap air inside the Nailer and permit it to be discharged. Only the unrestricted male connection should be attached to the Nailer.

Nailer requires an air source that can continuously deliver 70 to 110 psi at 3-1/2 cubic feet of air per minute for operation. Normal air pressure should not exceed 110 psi or damage to the Nailer and seals may occur. Excess air pressure can cause the Nailer to explode. Do not continue to use a tool that leaks air or does not function properly. Notify your nearest Powernail representative if your tool continues to experience functional problems.

To prevent fire or explosion, use only regulated compressed air—do not use bottled gases of any kind (no oxygen or combustible gasses) to power this Nailer. Nailer is intended for use installing wood flooring and is not to be used for purposes not specified in the operations manual.

Do not use any nails other than Powernail® Powercleats which are 20 gage L-cleat nails specifically designed for use in any 20 gage Powernailer. Powercleat nails are available in lengths of 1" and 1-1/4". Contact your Powernail Dealer for the correct Powercleats for the Model 2000F.

Use only Powernail replacement parts in the repair or maintenance of this nailer. Parts or repair services are available from the manufacturer or from agents authorized by the manufacturer. Repairs should be carried out only by trained service personnel in the field of fastener driving tools who will observe proper safety controls while performing maintenance. Service personnel should be qualified to assess the safe working condition of fastener driving tools.

Always make sure Nailer is empty of nails before connecting air hose, so as to prevent any accidental discharge from occurring. ONLY CONNECT AIR TO AN UNLOADED NAILER.

Do not depress the trigger when loading. If the fasteners are jammed, disconnect the tool from the air supply before you remove the jammed nails.



Never place any part of the body in the discharge path of the Nailer when air is connected to the Nailer. Never point the tool at yourself or others, even if the tool is not loaded. For safety, keep out of reach of children. Never leave the Nailer unattended while it is connected to an air supply. Never disable, clamp or tape the safety trigger in an activated position.

Do not fire into hard materials or attempt to use on hard or brittle material such as concrete, steel or tile. Before using this tool, carefully check that all parts are working correctly. Do not use the tool if it is not operating correctly, check for causes and adjust as necessary for proper operation. When not in use, the tool should be cleaned, fully assembled and then stored in a dry location. This will extend the life of the tool and reduce any oxidation.

OPERATION

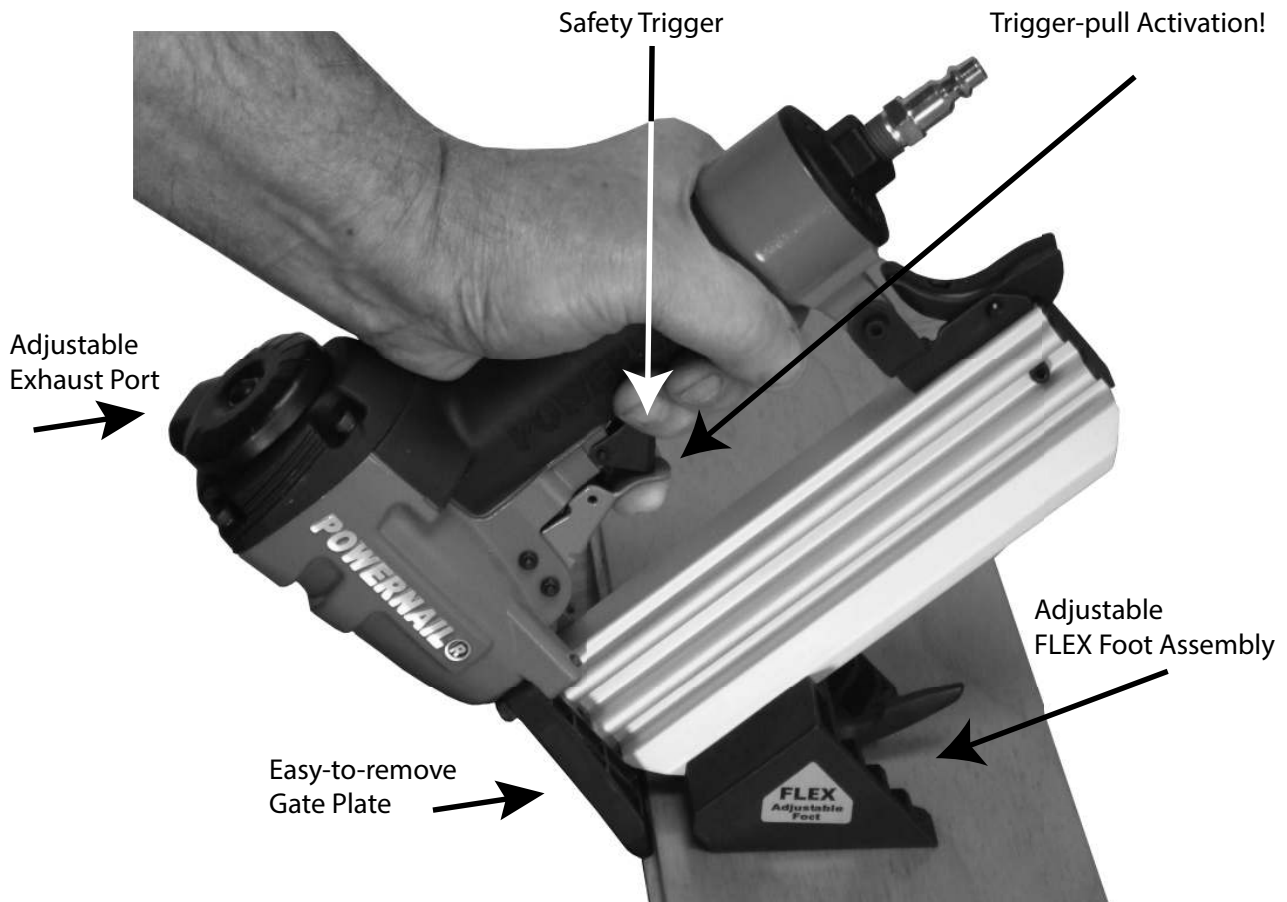
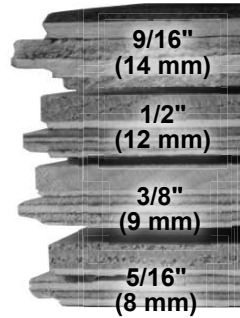
The Model 2000F nails down flooring from 5/16" to 9/16" using the Pownail FLEX adjustable foot assembly that can be adjusted to fit different flooring profiles.

To use the Model 2000F, properly position the tool on the flooring plank (See picture below). Pull up and hold the black safety trigger to activate the orange firing trigger. The nailer will drive and set the nail at the correct angle.

Note: Modifying or altering the nailer in anyway can potentially cause injury and may void the warranty.

The unique body design allows for different grip angles and has an adjustable exhaust port to redirect nailer exhaust.

The Model 2000F installs tongue and groove flooring from 5/16" to 9/16"



Adjust the FLEX Foot to your wood...

FOOT ADJUSTMENT / NAIL LOCATION

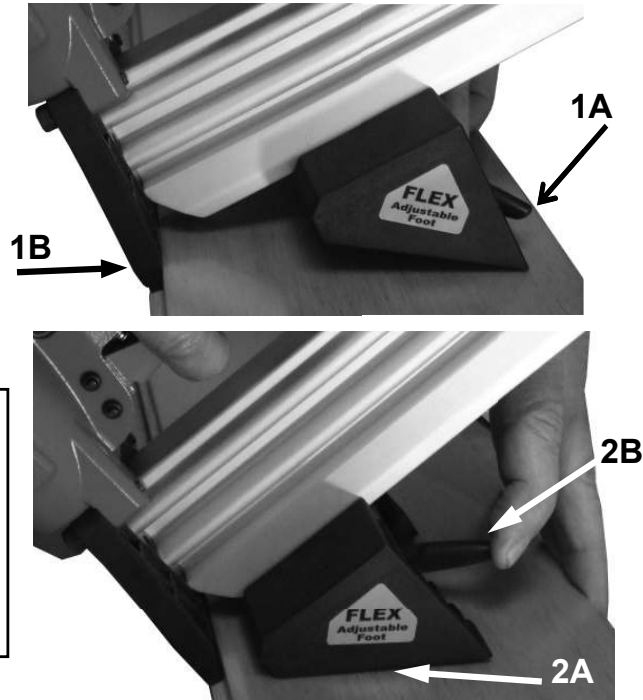
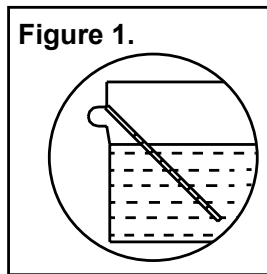
Flip the lever (1A) on the FLEX Foot to one side so the FLEX Foot is free to slide on the channel.

Using a sample of your flooring, slide the FLEX Foot back on the channel and set the nose of the nailer (1B) on top of the flooring tongue.

Keeping the nose flush on the flooring tongue, slide the FLEX Foot forward until it lies flat on the flooring surface (2A).

Flip the adjustment lever and tighten it (2B) so the FLEX Foot is locked in place.

Always test fire into your sample wood to ensure the nail is setting correctly (Figure 1).



CONNECTING THE TOOL TO AN AIR SUPPLY

Your air tool is fully assembled when you receive it. Before using it, attach the air line and desired air system accessories. Be sure the air hose is depressurized when installing or removing adapters to the air line. To prevent misfire, do not connect air to a loaded nailer.

1. An automatic airline oiler is recommended but oil may be added manually before every operation or after about 8 hours of continuous use.
2. Place two (2) drops of air-tool oil in the air plug as shown (Figure 3). If you are using an automatic in-line oiler, check and add oil if necessary.
3. Turn your compressor on and set the compressor's pressure regulator to the proper pressure. Normal operating pressure should be adjusted between 70-110 psi based on fastener and wood being used.
4. Connect the tool to the air supply (Figure 2).

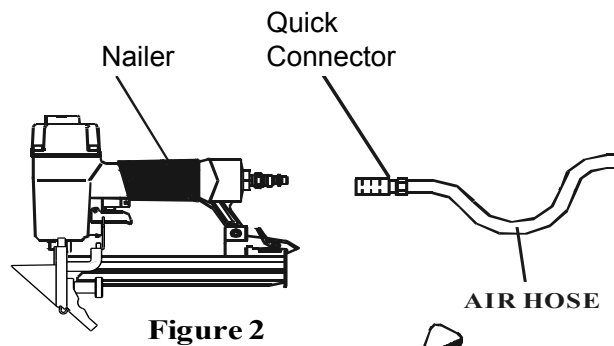


Figure 2

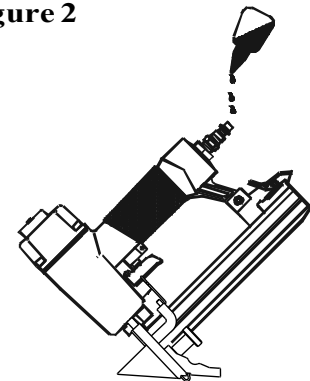
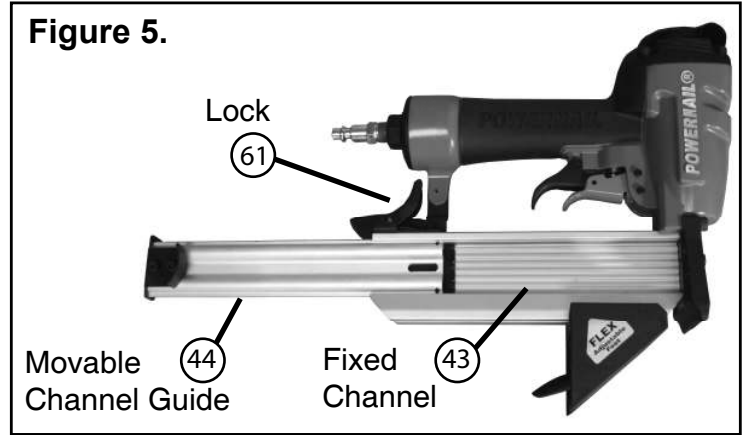


Figure 3

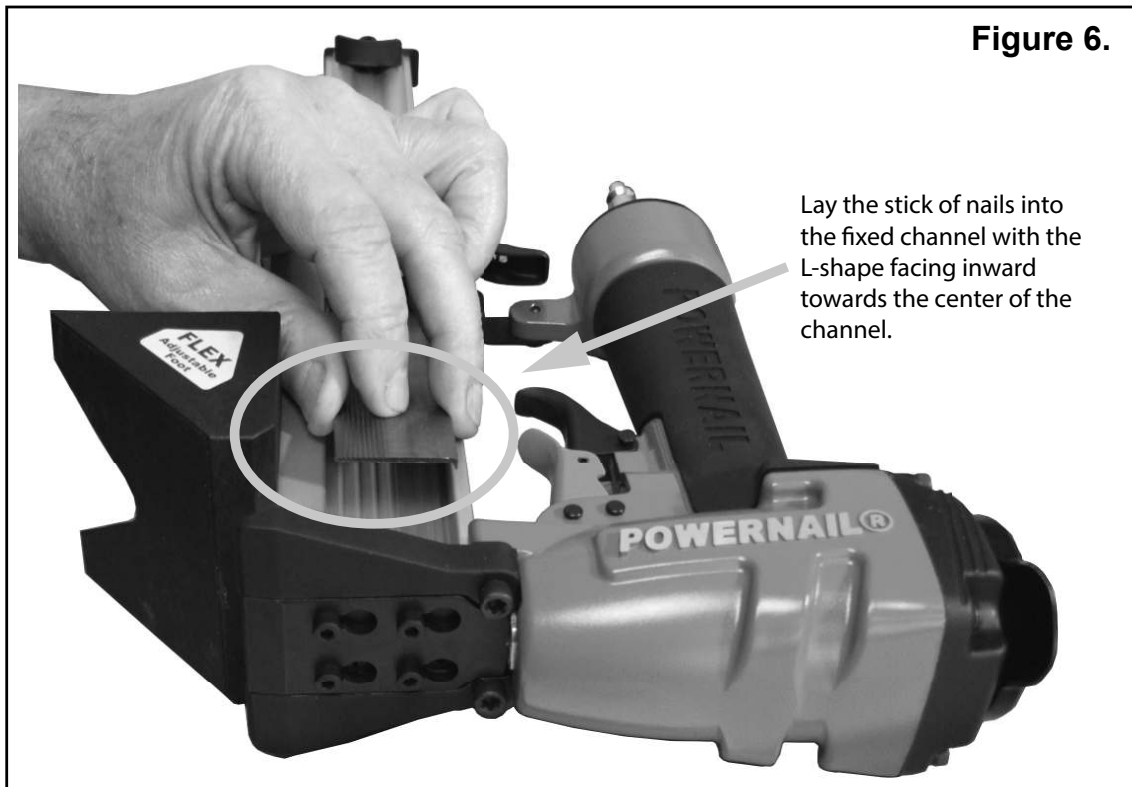
OPERATION, continued...

LOADING THE FASTENERS

1. Depress the LOCK (61) to release the MOVABLE CHANNEL GUIDE (44) and slide the channel guide out fully as shown in Figure 5.
2. Place a full stick of 1" or 1-1/4" 20



- gauge Powercleats into the FIXED CHANNEL (43). Lay the stick of nails with the L-shape facing inward towards the center of the channel (See Figure 6).
3. Slide the MOVABLE CHANNEL GUIDE (44) forward until it is locked.

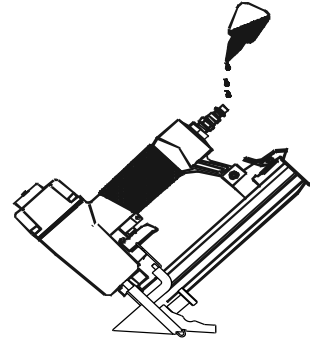


MAINTENANCE

REGULAR MAINTENANCE

1. Frequent, but not excessive, lubrication is required for best performance. Oil added through the airline connection will lubricate internal parts. An automatic airline oiler is recommended but oil may be added manually before every operation or after about 8 hours of continuous use.

Only a few drops of oil at a time are necessary. Too much oil will collect inside the tool and be blown out during the exhaust cycle. **ONLY USE PNEUMATIC TOOL OIL.** Do not use detergent oil or additives, as these lubricants will cause accelerated wear to the seals in the tool.



2. Use a small amount of oil on all moving surfaces and pivots.

3. Dirt and water in the air supply are major causes of pneumatic tool wear. Use a filter/oiler for better performance and longer life. The filter must have adequate flow capacity for the specific application.

4. Keep tools clean for better and safer performance. Use nonflammable cleaning solutions only if necessary. **CAUTION:** Soaking the tool may damage O-rings and other tool parts.

NAILER SAFETY LABELS

**Operating Pressure
70 - 110 psi**



WARNING!

1. Read and understand operating manual before using.
2. Operator and all the by-standers must wear ANSI approved safety glasses, ear and head protections.
3. Never use oxygen or other flammable gases. Only choose clean dry regulated compressed air below 110 PSI pressure.
4. Remove finger from trigger while not operating.
5. Never trip over the hose. Make sure all connections are tight.
6. Disconnect the tool from air supply before clearing jams, serviceing, adjusting or during non-operation.
7. Don't point tool at people or animals while operating.

MODEL USE 20 GAUGE L-POWERCLEATS
2000F 1" - 1-1/4" (25mm - 32mm) Length



CLEARING A JAM

Disassembly: (See Figure 7.)

- 1) **NOTE: Do not remove the four M4 screws (80).**
- 2) Loosen the 4 M4 screws (78) with a 3mm allen wrench.
- 3) Slide the gate plate down until it is free from the nose..
- 6) Lift the gate plate (72) off.
- 5) Inspect and clear any debris from the drive blade (27) and its path.

Reassembly:

- 1) Install the the gate plate over the four M4 screws (72).
- 2) Slide the gate plate upwards as far as it go.
- 3) Tighten the four M4 screws.
- 4) Unit is ready for funtional testing.



TROUBLE SHOOTING CHART

Here are some common issues that may occur during use.
If the nailer is not working as it should, stop using the tool immediately and resolve the issue before continuing.

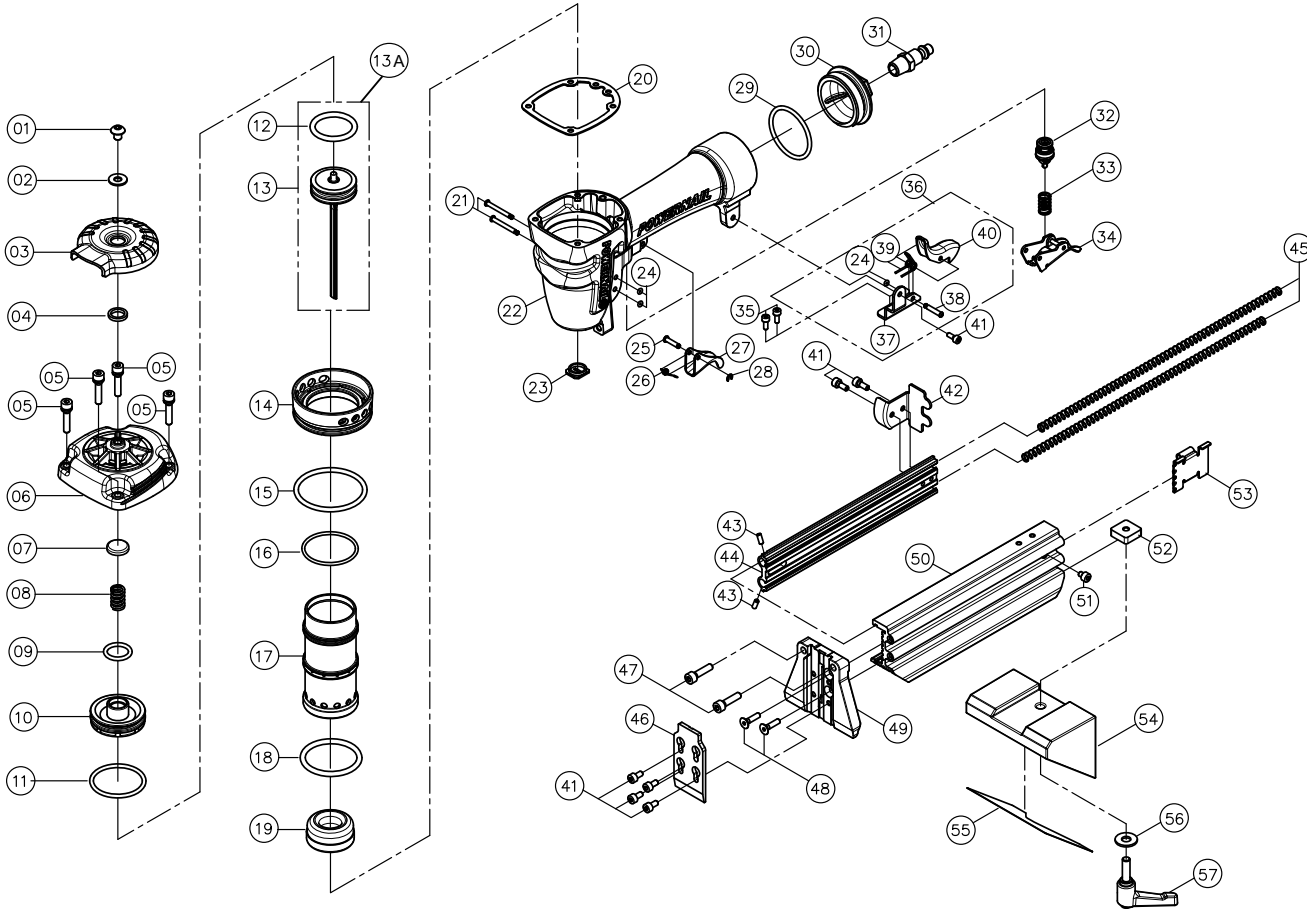
	PROBLEM	POSSIBLE CAUSE	SOLUTION
1	Air leaking at Trigger area	1. O-ring (31) in trigger valve is damaged. 2. Trigger valve head (30) is damaged. 3. Trigger valve stem (35), seal (29) or O-ring (31) is damaged.	1. Check and replace O-ring. 2. Check and replace trigger valve head. 3. Check and replace trigger valve stem, seal or O-ring.
2	Air leaking between body and drive guider	Damaged bumper (22).	Check and replace bumper.
3	Air leaking between body and cylinder cap	1. Screw loose (5). 2. Damaged gasket (8).	1. Tighten screws. 2. Check and replace gasket.
4	Blade driving fastener too deeply	1. Worn bumper (22). 2. Air pressure is too high	1. Replace bumper. 2. Adjust the air pressure.
5	Runs slowly or has loss of power	1. Insufficient oil. 2. Insufficient air supply. 3. Broken spring in cylinder cap (8a). 4. Exhaust port (3) in cylinder cap is blocked	1. Lubricate as instructed 2. Check air supply. 3. Replace spring. 4. Replace damaged internal parts.
6	Tool skips a fastener	1. Worn bumper (22) or damaged spring (57). 2. Dirt in gate (50). 3. Inadequate airflow to tool. 4. Worn or dry O-ring (17) on piston. 5. Cylinder cap seal leaking (8).	1. Replace bumper or pusher spring. 2. Clean drive channel of front plate. 3. Check hose and compressor fittings. 4. Replace O-ring or lubricate. 5. Replace seal.
7	Fasteners are jammed (see page 8)	1. Joint guider is worn (24). 2. Fasteners are wrong size or damaged. 3. Magazine or front plate screws are loose (78). 4. Blade (27) in piston assembly is damaged.	1. Replace joint guider. 2. Use the recommended and undamaged fasteners. 3. Tighten screws. 4. Replace piston assembly.
8	Tool will not drive down tight	1. Worn blade in piston assembly. 2. Lack of power. 3. Slow cycling and loss of power.	1. Replace piston assembly. 2. Adjust to adequate air pressure. 3. Check cylinder cap spring for broken coils or reduced length. Check if exhaust port of cylinder cap is restricted.

MODEL 2000F PARTS LIST

ITEM	DESCRIPTION	Avail.	PART #	ITEM	DESCRIPTION	Avail.	PART #
1	HEX HEAD BOLT		n/a	38	STEPPED PIN		n/a
2	FLAT WASHER		n/a	39	SPRING		n/a
3	EXHAUST COVER		n/a	40	VALVE PLATE		n/a
4	SEAL		n/a	41	HEX HEAD BOLT	S	09-20F8041
5	HEX HEAD BOLT	S	09-20F8005	42	MAGAZINE REAR COVER	S	09-20F8042
6	CAP		n/a	43	SET SCREW	S	09-20F8043
7	SEAL	S	09-20F8007	44	MAGAZING COVER	S	09-20F8044
8	SPRING	S	09-20F8008	45	SPRING	S	09-20F8045
9	O-RING (See #60 KIT)	KIT	09-20F8009	46	NOSE COVER	S	09-20F8046
10	HEAD VALVE ASSEMBLY	S	09-20F8010	47	HEX HEAD BOLT	S	09-20F8047
11	O-RING (See #60 KIT)	KIT	09-20F8011	48	FLAT HEAD BOLT	S	09-20F8048
12	O-RING (See #60 KIT)	KIT	09-20F8012	49	NOSE	S	09-20F8049
13	DRIVE BLADE (See 13A)	n/a	09-20F8013	50	MAGAZINE	S	09-20F8050
13A	DRIVE BLADE ASSMEMBLY WITH O-RING	S	09-20F8013A	51	HEX HEAD BOLT	S	09-20F8051
14	CYLINDER RING		n/a	52	FLEX FOOT LOCK NUT	S	09-20F8052
15	O-RING (See #60 KIT)	KIT	09-20F8015	53	PUSHER	S	09-20F8053
16	O-RING (See #60 KIT)	KIT	09-20F8016	54	FLEX FOOT BASE		09-20F8054
17	CYLINDER		09-20F8017	55	NO-MAR PAD	S	09-20F8055
18	O-RING (See #60 KIT)	KIT	09-20F8018	56	FLAT WASHER	S	n/a
19	BUMPER	S	09-20F8019	57	FLEX FOOT ADJUSTMENT LEVER	S	09-20F8057
20	CYLINDER CAP SEAL	S	09-20F8020				
21	STEPPED PIN		n/a	60	MODEL 2000F SEAL KIT		09-20F8090SK
22	BODY		n/a				
23	JOINT GUIDE	S	09-20F8023				
24	RETAINER	S	09-20F8024				
25	STEPPED PIN	S	09-20F8025				
26	SPRING	S	09-20F8026				
27	SAFETY TRIGGER	S	09-20F8027				
28	E-RING	S	09-20F8028				
29	O-RING		n/a				
30	COVER		n/a				
31	AIR PLUG		n/a				
32	TRIGGER VALVE ASSEMBLY		n/a				
33	SPRING		n/a				
34	MAIN TRIGGER		n/a				
35	HEX HEAD BOLT	S	09-20F8035				
36	MAGAZINE RELEASE ASSEMBLY		n/a				
37	BRACKET		n/a				

KEY: S=Sold Separately, n/a Not available separately, KIT=Sold as part of a Kit

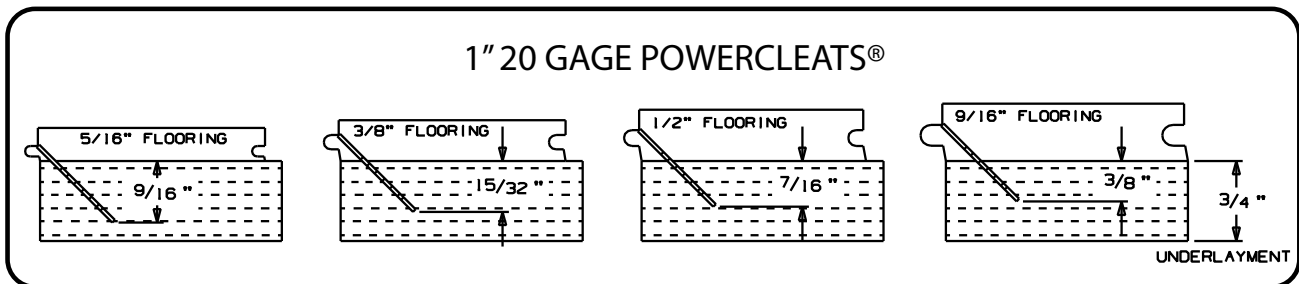
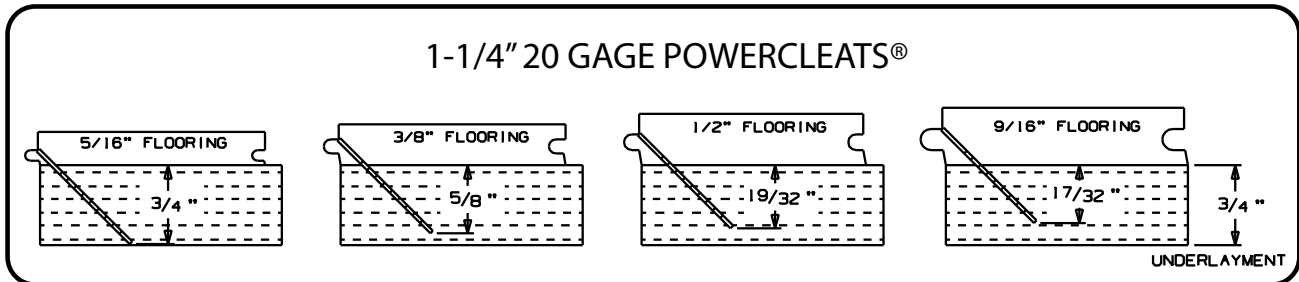
MODEL 2000F SCHEMATIC



POWERCLEATS LENGTH DETERMINATION CHART

This chart will assist you in determining the proper length of Powercleats to use for various thicknesses of flooring. Approximate vertical penetration of the Powercleat under the hardwood floor is shown for each application. This is only a guide. Results should be tested in the field before proceeding.

Nail Penetration for 3/4" Subflooring.



20 GA HD POWERCLEATS®

1 1/4" 5 Pack
 (5 x 1,000 Cleats)
 Part #: L-125205

1" 5 Pack
 (5 x 1,000 Cleats)
 Part #: L-100205

©Powernail Company 2016

POWERNAIL COMPANY, INC.
 1300 Rose Road, Lake Zurich, IL 60047 US
 Phone: 1-800-323-1653 or 847-847-3000
www.powernail.com