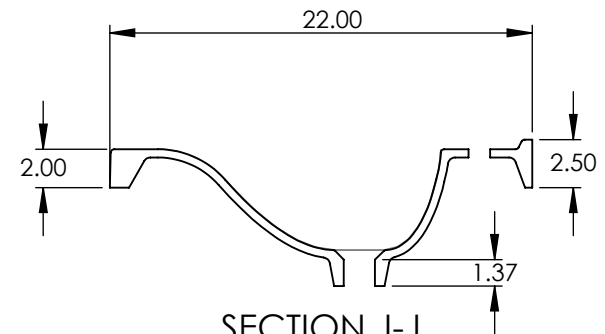
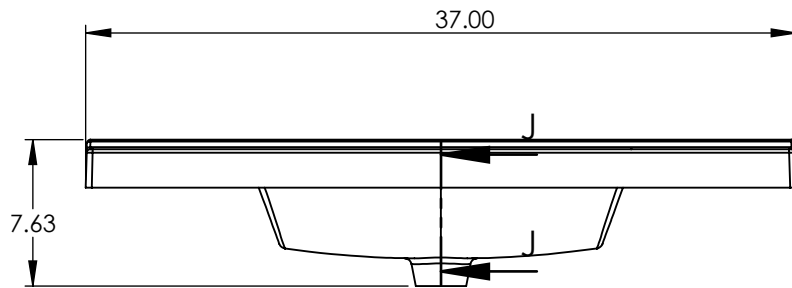
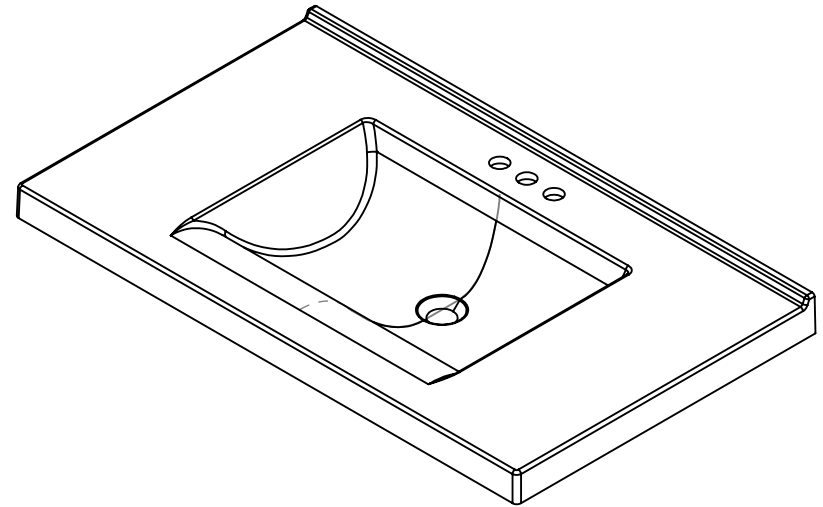
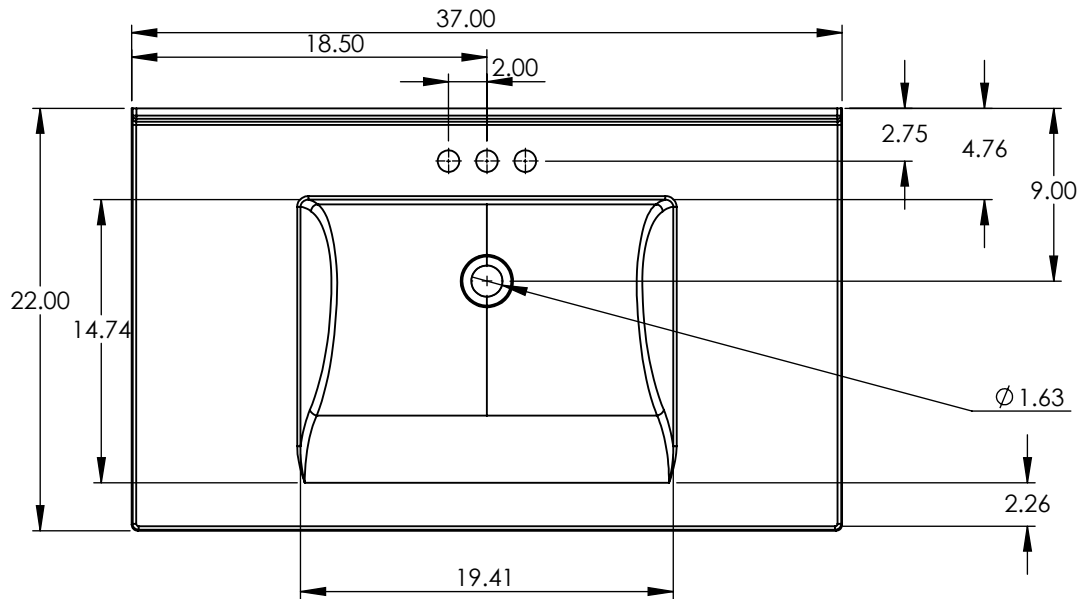


ID	Description	Technology	Status
HU3722R-WH	Wave 31x22 in	AB Composite	Design Process



SECTION J-J
SCALE 1:10

ESTIMATED WEIGHT: 22 KG.

PROPRIETARY AND CONFIDENTIAL

THE INFORMATION CONTAINED IN THIS DRAWING IS THE SOLE PROPERTY OF WOODCRAFTERS. ANY REPRODUCTION IN PART OR AS A WHOLE WITHOUT THE WRITTEN PERMISSION OF WOODCRAFTERS IS PROHIBITED.

UNLESS OTHERWISE SPECIFIED

DIMENSIONS ARE IN MM. AND (INCHES)

TOLERANCES ARE
+ 0.125 [3.175] - 0.125 [-3.175]

SCALE:1:10

	NAME	DATE
DRAWN	E. Sandoval	4/01/16
CHECKED	R. Rubio	4/01/16
ENG APPR.	V. Sanchez	4/01/16
MFG APPR.	C. Leal	4/01/16



SIZE DWG. NO. **A** Wave 37x22 in

SHEET 1 OF 1

REV: **1**