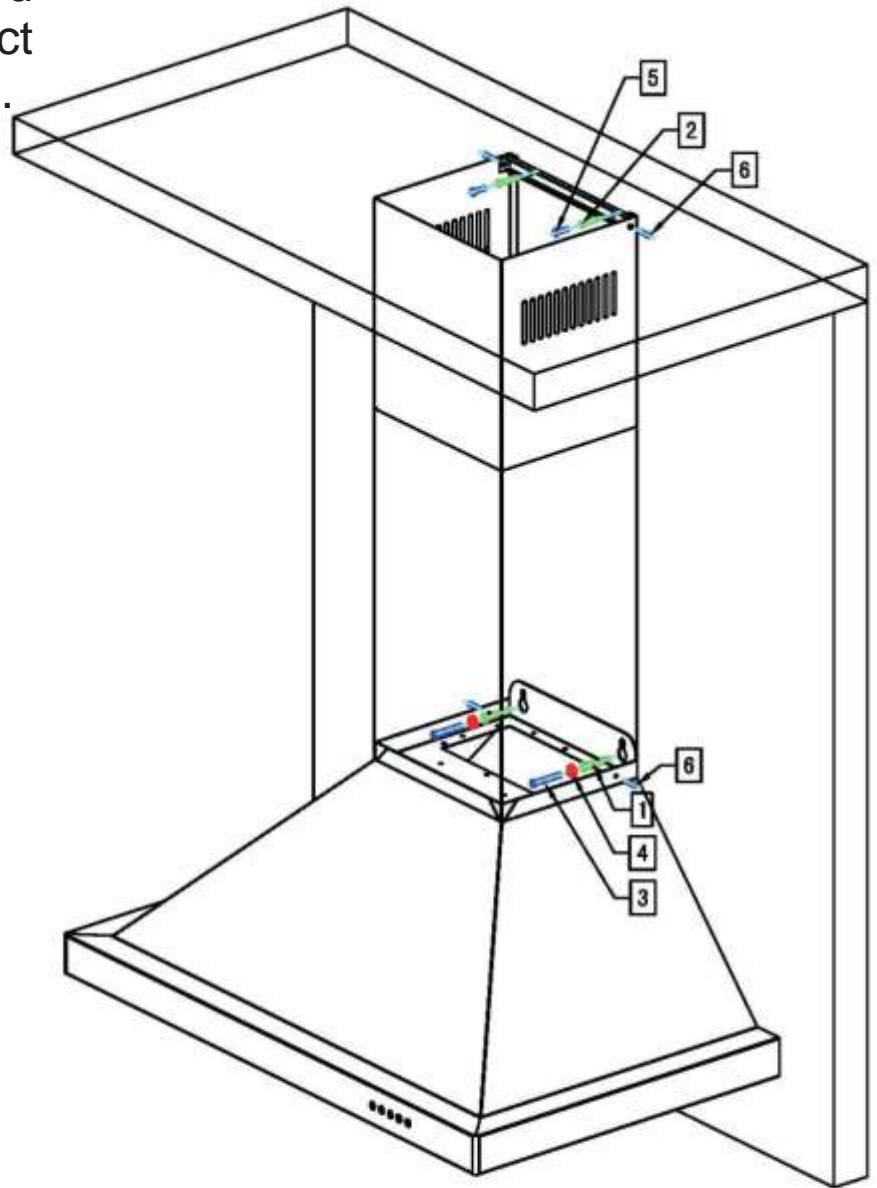


Wall Installation

Parts Supplied:

Please unpack your range hood when it is delivered and inspect to ensure all parts are included.

1. Main Hood with all lights and button banks pre-installed.
2. Adjustable Stainless Chimney Cover
3. Flexible duct (not pictured)
4. Packet of screws and anchors
5. Top mounting bracket



Seven Easy Steps to Installing Wall Hoods

Step one: Find the center of the wall where you are installing the hood. Make sure there is sufficient bracing to hold the weight of the hood. Mark your center line and measure out from center to find your two mounting points. Make sure your mounting points are level when you mark them. It is recommended to install the hood directly into wood supports. fig 1

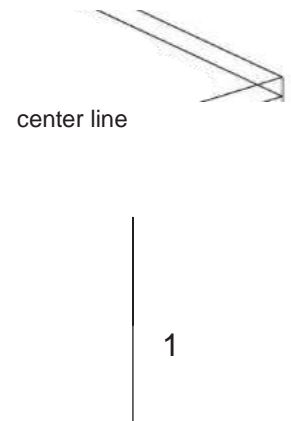


fig.1

Step two: Mark your mounting points and install the two mounting screws provided leaving the heads out 1/4" to mount hood. fig 1

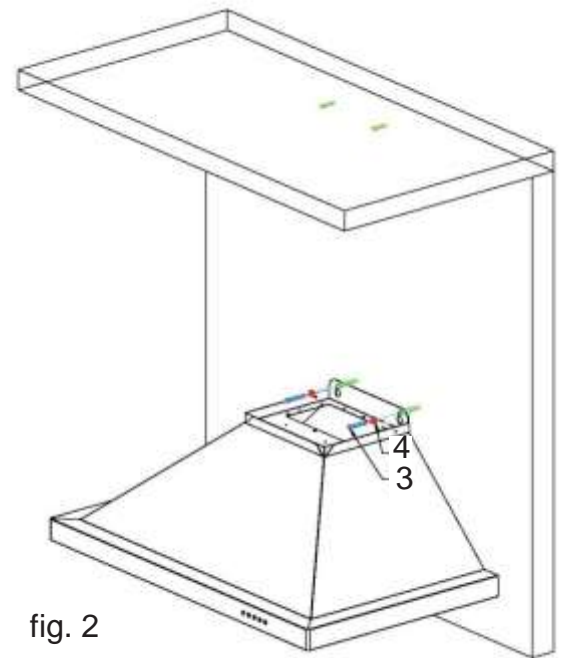


fig. 2

Step three: Mount the main body of the hood to the two screws and screw into place. fig 2

Step four: Mount the top chimney mounting bracket centering it above the hood. fig.3

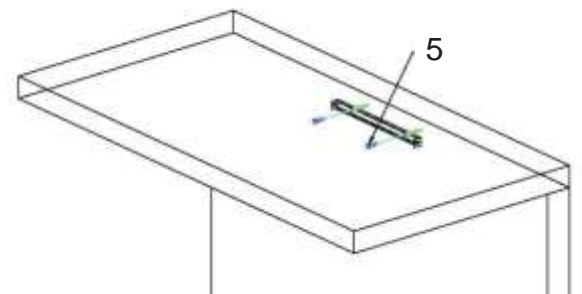


fig. 3

Step 5: Make your electrical and ducting connections. Use 6" rigid duct wherever possible. Try and minimize the use of elbows. More elbows and longer runs create higher static pressure. The hood comes with a grounded three prong plug that can either be direct wired or plugged into a 20 amp. circuit. fig. 4

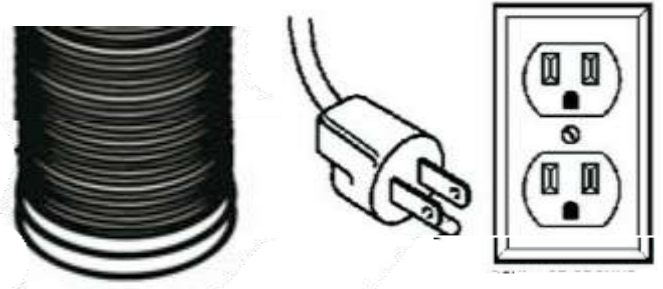


fig. 4

Step 6: Install the 2 part chimneys on top of the hood by sliding the inside section up until the vertical vent slots are visible. Then put both pieces on top of the hood and secure the lower portion with the provided screw at the bottom. fig. 5

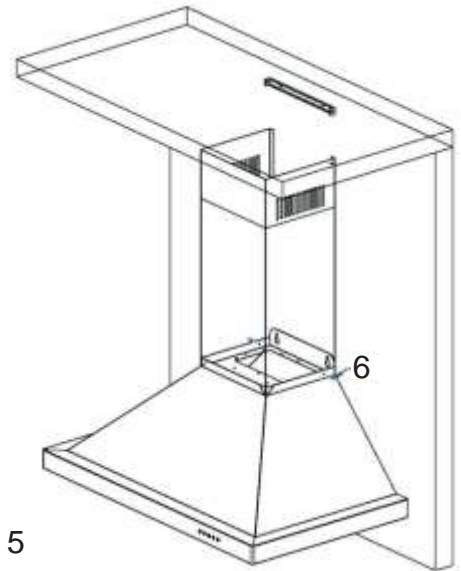


fig. 5

Step 7: Slide the upper portion up and over the top mounting bracket aligning the holes and securing with the screws provided. fig. 6

