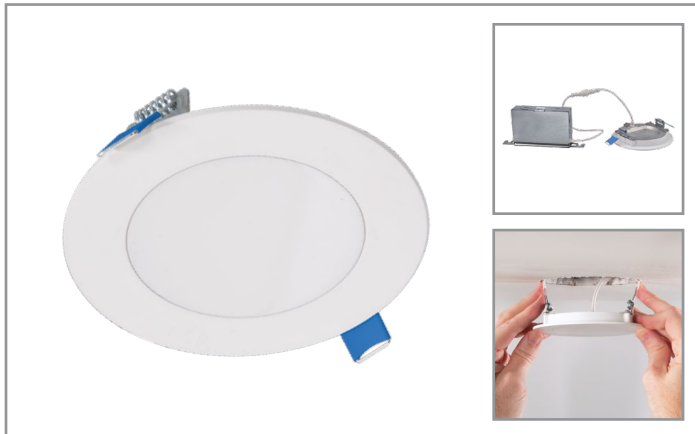


Project		Catalog #		Type	
Prepared by		Notes		Date	



# HALO

## HLBSL4

4-Inch LED Lens Downlight with Remote Driver / Junction Box

### Typical Applications

Residential

### Interactive Menu

- Order Information [page 2](#)
- Product Specifications [page 2](#)
- Photometric Data [page 3](#)
- Energy & Performance Data [page 3](#)
- Product Warranty
- Dimming Guide

### Product Certification



Refer to ENERGY STAR® Certified Products List.  
Can be used to comply with California Title 24 High Efficacy requirements.  
Certified to California Appliance Efficiency Database under JAG.

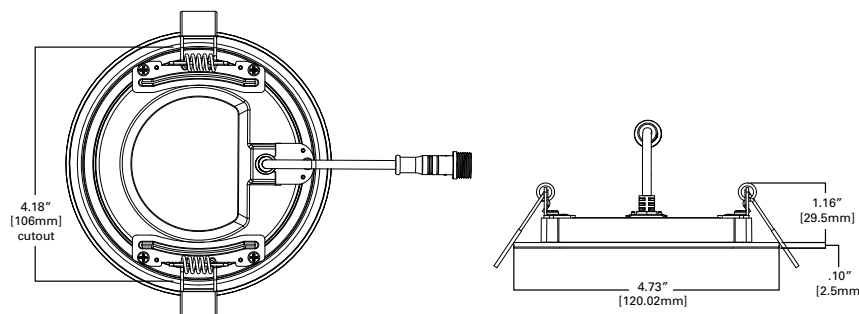
### Product Features



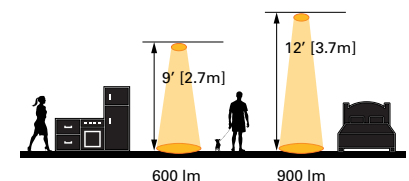
### Top Product Features

- Direct mount - does not require recessed housing or junction box
- Delivers up to 800 lumens
- Achieves L70 at 35,000 hours in IC and non-IC applications
- 3000K, 4000K, 5000K field selectable CCT

### Dimensional and Mounting Details



### Scale



additional product diagrams

## Order Information

Icon Key: ▲ Configurable Product

SAMPLE ORDER NUMBER: HLBSL4069FS351EMWR

Models	Lumens	CRI / CCT	Driver	Finish	Packaging
<b>HLBSL4</b> = 4-Inch LED smooth lens downlight with plastic housing and remote driver / junction box	<b>06</b> = 650 lumens (nominal)	<b>9FS35</b> = 90 CRI minimum, field selectable 3000K, 4000K, 5000K CCT	<b>1E</b> = 120V 60Hz, LE & TE phase cut 10% dimming	<b>MW</b> = matte white flange	<b>R</b> = recyclable 4-color unit carton suitable for point of purchase merchandising display
<b>Notes</b>	<b>Notes</b>	<b>Notes</b>	<b>Notes</b>	<b>Notes</b>	<b>Notes</b>

### Accessories

Accessories
<b>HL4RSMF</b> = 4" new construction mounting frame <b>HLB4ROTMW</b> = 4" round oversized trim ring, 6.875" OD, matte white  <u>Extension Cable   seleCCTable Driver/Jbox</u> <b>HLB06FSEC</b> = 6 ft. extension cable <b>HLB12FSEC</b> = 12 ft. extension cable <b>HLB20FSEC</b> = 20 ft. extension cable
<b>Notes</b>

## Product Specifications

### Housing

- Plastic mounting frame with integral flange provides passive thermal cooling achieving L70 at 35,000 hours in IC and non-IC applications

### Optics

- Precision acrylic light guide organizes source flux into wide distribution with 1.26 spacing criteria, useful for general area illumination

### LED Array

- Plurality of mid power LED's provides a uniform source with high efficiency and long life
- Available in 90 CRI minimum, R9 greater than 50 provides high color rendering
- Field Selectable color temperature (3 colors):
  - 3000K, 4000K, 5000K
  - Color accuracy of 4 step at the ends, 7 step in the middle
- Meets ENERGY STAR® color angular uniformity requirements, deviation is less than 0.006 u' V

### Remote Driver / Junction Box

- Die formed metal driver / junction box with captive hinged junction box cover
- Listed for (6) #12 AWG 90° C splice conductors, 2-in, 2-out plus (2) ground (4) ½" conduit pry-outs
- Accepts 14-2, 14-3, 12-2, 12-3 U.S. and 14-2, 14-3, 12-2 Canadian NM cable
- (3) wire nuts for quick and reliable mains voltage connections
- Integral mounting facilitates direct mounting to building structure or mounting frame

### Driver

- 120V 60 Hz constant current driver provides noise free operation
- Continuous, flicker-free dimming from 100% to 10% with select leading or trailing edge 120V phase cut dimmers

### Installation

- Can be installed in 3/8" to 5/8" thick ceilings
- Round ceiling cutout
- Heat treated springs hold fixture fitting securely in the ceiling eliminating light leaks
- Housing is less than ½" thick and can span a 2" nominal framing member
- Can be removed from below the ceiling for service or replacement

### Compliance

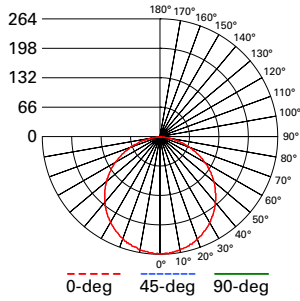
- cULus certified type IC suitable for direct contact with air permeable insulation
- Not recommended for use in direct contact with spray foam insulation, reference NEMA LSD57-2013
- Wet location listed and IP44 ingress protection
- Airtight per ASTM-E283-04
- Suitable for use in clothes closets when installed in accordance with the NEC 410.16 spacing requirements
- EMI/RFI emissions per FCC 47CFR Part 15 consumer limits
- Contains no mercury or lead and RoHS compliant
- Photometric testing in accordance with IES LM-79-08
- Lumen maintenance projections in accordance with IES LM-80-08 and TM-21-11
- Can be used for State of California Title 24 high efficacy LED compliance under JA8, reference Modernized Appliance Efficiency Database System (MAEDBS) for 2019 JA8 High Efficacy Lighting
- ENERGY STAR® certified, reference "Certified Light Fixtures" database

### Warranty

- Five year warranty standard.

## Photometric Data

[View IES files](#)



**HLBSL4069FS351EMWR**  
 Spacing criterion: (0-180) 1.26  
 (90-270) 1.26  
 (Diagonal) 1.38  
 Beam Angle: 112.7°  
 Field Angle: 161.5°  
 Lumens: 716  
 Input Watts: 10.1 W  
 Efficacy: 70.89 LPW  
 Test Report:  
 HLBSL4069FS351EMWR.ies

Zonal Lumen	Lumens	% Lumens
0-30	194.0	27.1
0-40	318.6	44.5
0-60	564.9	78.9
0-90	716.0	100



### COLOR METRIC SUMMARY

**HLBSL4069FS351EMW**

3000K		4000K		5000K	
<b>TM-30-15</b>	Rf = 92.0 Rg = 97.0	<b>TM-30-15</b>	Rf = 93.0 Rg = 99.0	<b>TM-30-15</b>	Rf = 93.0 Rg = 100.0
<b>CRI/CIE</b>	Ra = 93.3 R9 = 57.5	<b>CRI/CIE</b>	Ra = 96.3 R9 = 75.8	<b>CRI/CIE</b>	Ra = 95.3 R9 = 77.4

## Energy and Performance Data

		Lumens	Power (W)	LPW
HLBSL4069FS351EMW	3000K	716	10.1	70.9
	4000K	778	10	77.8
	5000K	768	10.2	75.3

**HLBSL4069FS351EMWR**

**PRODUCT SPECIFICATIONS**

**Lumens** 716

**Watts** 10.1

**Lumens Per Watt (Efficacy)** 70.9

**Color Accuracy (CRI)** 92

**Light Color (CCT)** 3000K  
Correlated Color Temperature (CCT)

warm white    soft white    bright white

2700K    3000K    4500K    6500K

**Note:** Refer to IES files for more product data.

## Dimensional Details

