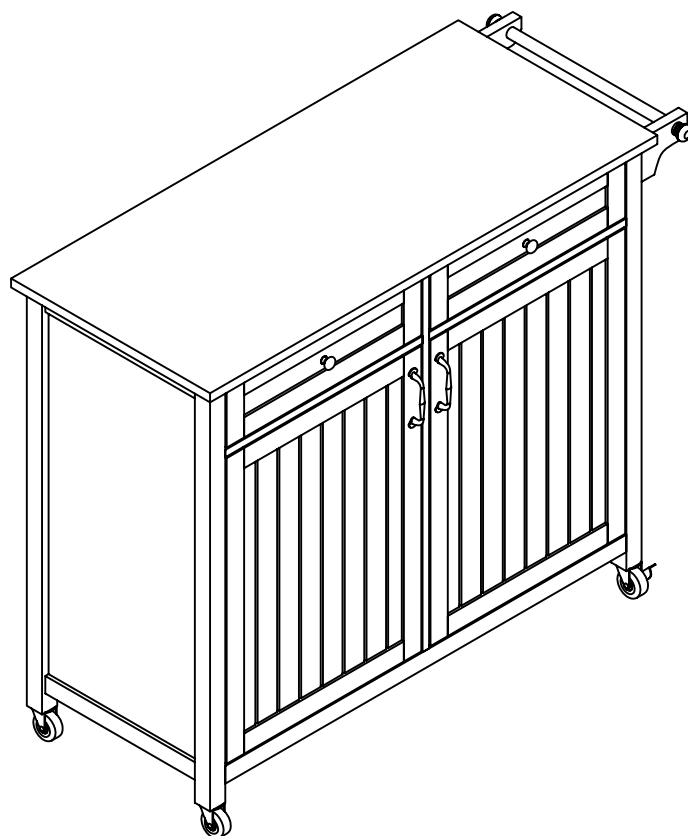


USE AND CARE GUIDE

KITCHEN CART



Questions, problems, missing parts?
Before returning to the store, call Customer Service.
8 a.m. – 7 p.m., EST, Monday – Friday, 9 a.m. – 6 p.m., EST, Saturday

1-877-527-0313

HOMEDEPOT.COM

THANK YOU

We appreciate the trust and confidence you have placed in StyleWell through the purchase of this kitchen cart. We strive to continually create quality products designed to enhance your home. Visit us online to see our full line of products available for your home improvement needs. Thank you for choosing StyleWell!!

Table of Contents

Table of Contents.....	2	Tools Required	4
Safety Information.....	2	Hardware Included.....	4
Warranty.....	3	Pre-assembly (continued)	5
1 Year Warranty	3	Package Contents	5
What is Covered	3	Assembly	6
What is Not Covered	3		
Pre-assembly.....	4		
Planning Assembly.....	4		

Safety Information



DANGER

- Keep small parts away from children during assembly.
- Read and follow instructions carefully.



NOTE: If you are unsure about your wall type or what mounting method you should use, consult a qualified professional.



WARNING

- Read these instructions carefully and keep in a safe place.
- **TO GUARANTEE THE SAFE USE OF THIS PRODUCT, FOLLOW THE WARNINGS, GUIDELINES AND RECOMMENDATIONS IN THIS MANUAL.**
- Adult assembly required.
- Small parts may present choking hazard prior to assembly.



CAUTION

- Do not use power tools to assemble your furniture. Power tools may strip or damage parts/product.
- Do not overtighten connectors (screws, bolts, etc.). Overtightening can lead to product damage.
- Be sure to check all packing materials carefully for small parts that may have come loose inside the carton during shipment. If parts are missing, contact THE HOME DEPOT to obtain any missing parts.
- **DO NOT USE SUBSTITUTE PARTS.**
- This product should only be used on a flat, level surface.
- Product is designed to hold 142 pounds. Exceeding this limit may damage the product or cause injury to the user.

Warranty

1 YEAR WARRANTY

WHAT IS COVERED

We guarantee this product to be free of manufacturing defects to the original purchaser for one year.

WHAT IS NOT COVERED

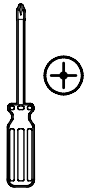
This warranty does not cover commercial use, acts of nature, and abusive use.

Pre-assembly

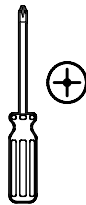
PLANNING ASSEMBLY

Keep children and pets away from build area. Make sure your area is large enough to unpack, sort and assemble the unit.

TOOLS REQUIRED



Small head
Phillips
screwdriver

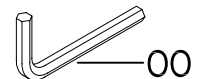
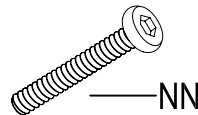
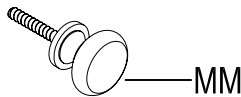
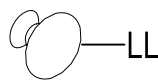
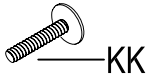
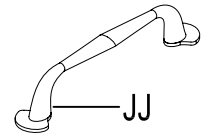
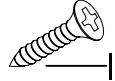
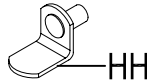
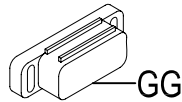
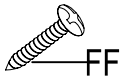
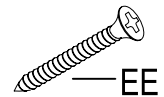
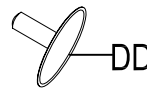
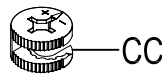
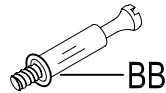
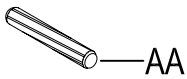


Large head
Phillips
screwdriver

HARDWARE INCLUDED



NOTE: Hardware not shown to actual size.

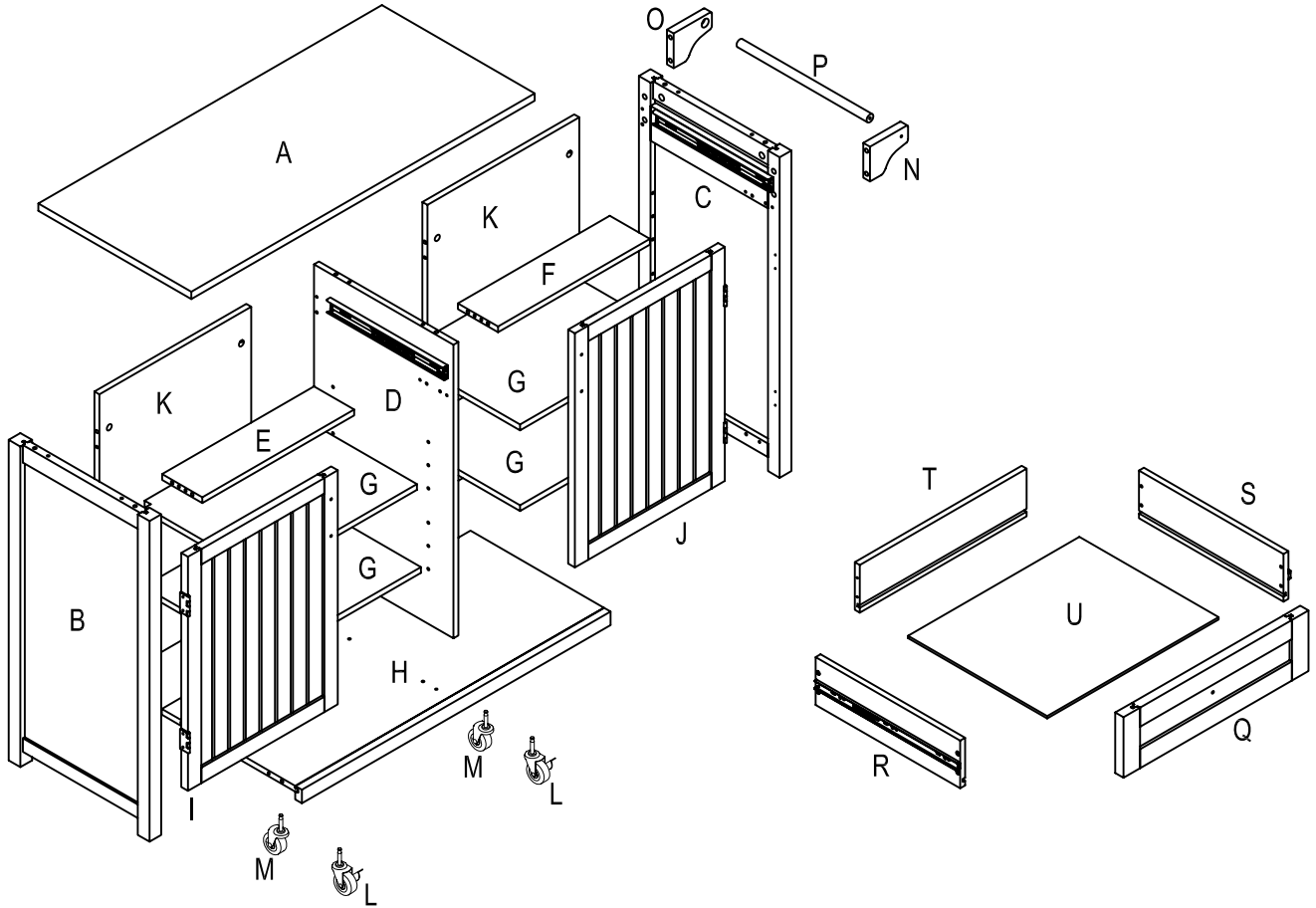


Part	Description	Quantity
AA	Wood dowel	28
BB	Cam lock bolt	28
CC	Cam lock	28
DD	Plastic cover	6
EE	1 in. Flat head screw	16
FF	5/8 in. Round head screw	4
GG	Magnet	2

Part	Description	Quantity
HH	Shelf support	16
II	1/2 in. Flat head screw	8
JJ	Handle	2
KK	Small bolt	6
LL	Knob for drawer	2
MM	Knob for towel rack	2
NN	Large bolt	4
OO	Wrench	1

Pre-assembly (continued)

PACKAGE CONTENTS



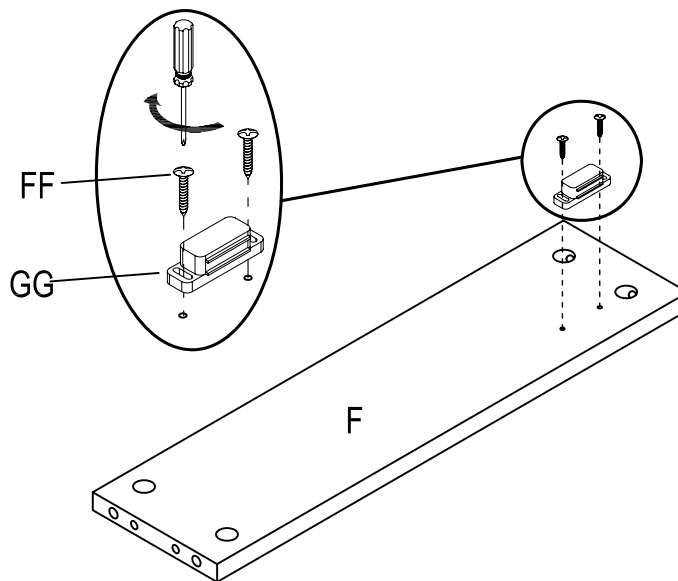
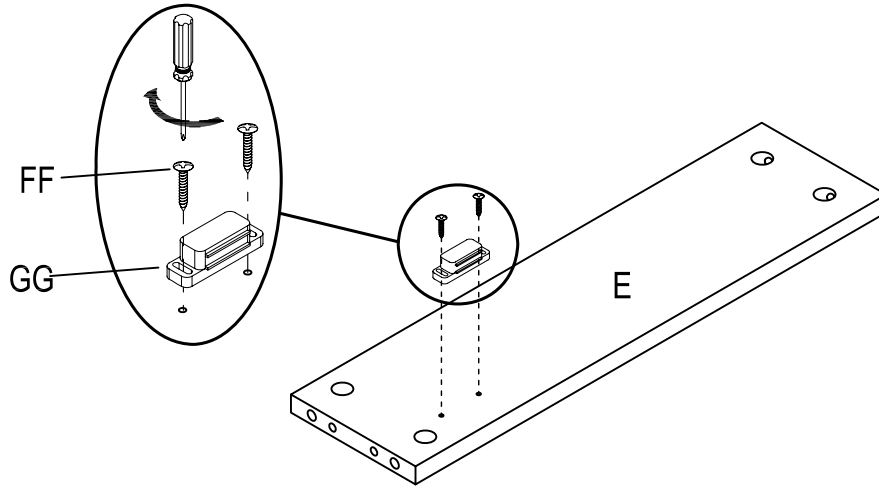
Part	Description	Quantity
A	Top panel	1
B	Left side panel	1
C	Right side panel	1
D	Partition	1
E	Left crossbar	1
F	Right crossbar	1
G	Adjustable shelf	4
H	Bottom panel	1
I	Left door	1
J	Right door	1

Part	Description	Quantity
K	Back panel	2
L	Universal wheel with brake	2
M	Universal wheel	2
N	Left side towel rack	1
O	Right side towel rack	1
P	Towel rack bar	1
Q	Drawer front panel	2
R	Drawer left side panel	2
S	Drawer right side panel	2
T	Drawer back panel	2
U	Drawer bottom panel	2

Assembly

1 Attaching the magnet

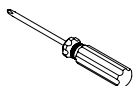
- Attach magnet (GG) to bars (E) and (F) with screw (FF) as shown.



5/8 in. Round
head screw
(FF) x 4

Magnet
(GG) x 2

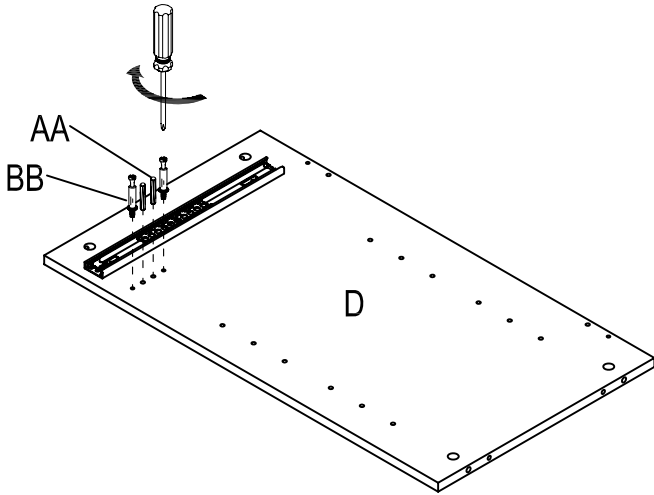
Small head



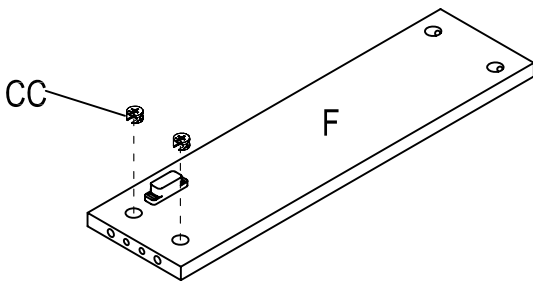
Assembly (continued)

2 Attaching the right bar to partition

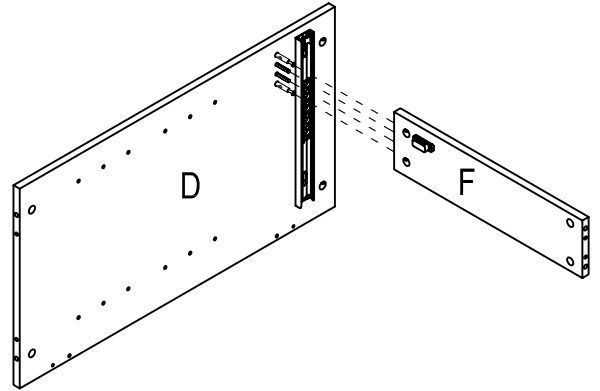
- a) Install dowel (AA) and bolt (BB) into partition (D).



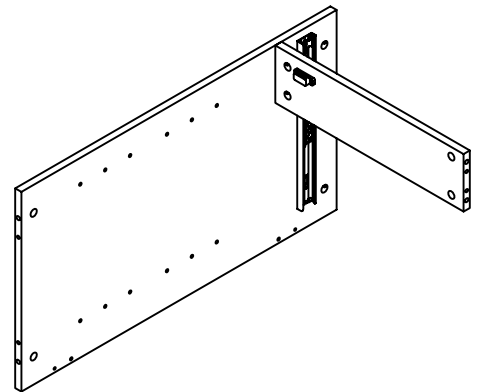
- b) Insert lock (CC) into bar (F).



- c) Join bar (F) to the partition (D).



- d) Tighten bolt (BB) with lock (CC) in the pre-drilled holes.

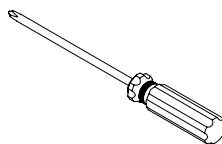
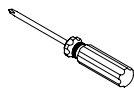
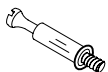


Wood dowel Cam lock bolt Cam lock Small head Large head

(AA) x 2

(BB) x 2

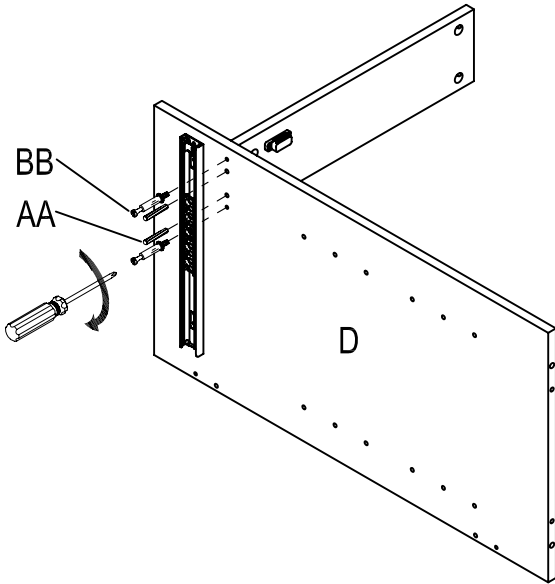
(CC) x 2



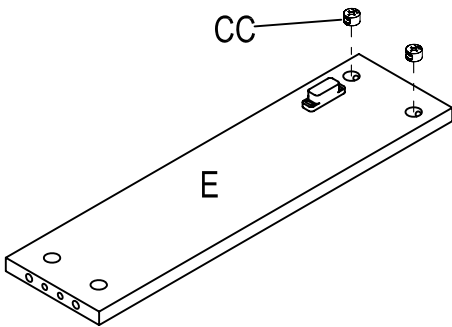
Assembly (continued)

3 Attaching the left bar to partition

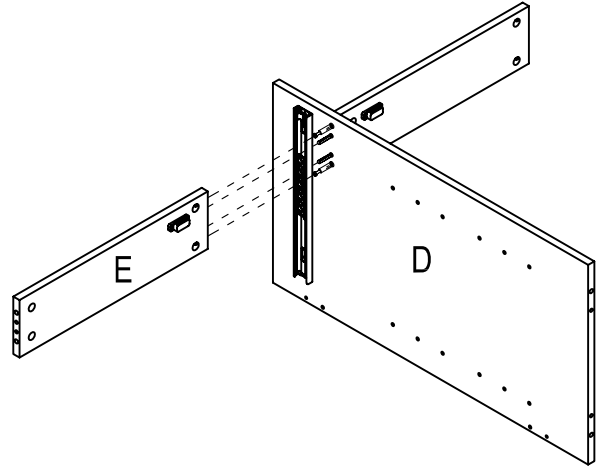
- a) Install dowel (AA) and bolt (BB) into partition (D).



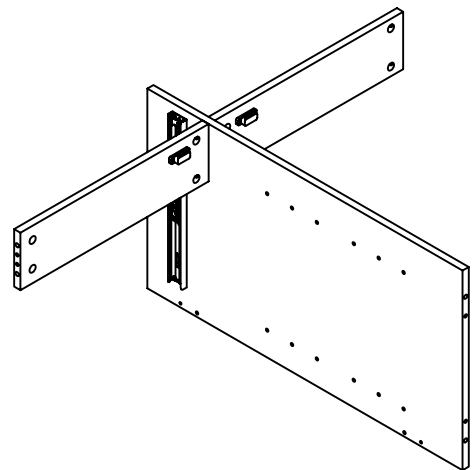
- b) Insert lock (CC) into bar (E).



- c) Join bar (F) to the partition (D).



- d) Tighten bolt (BB) with lock (CC) in the pre-drilled holes.

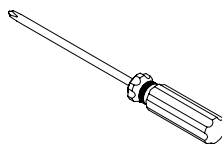
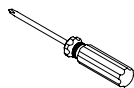
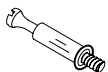


Wood dowel Cam lock bolt Cam lock Small head Large head

(AA) x 2

(BB) x 2

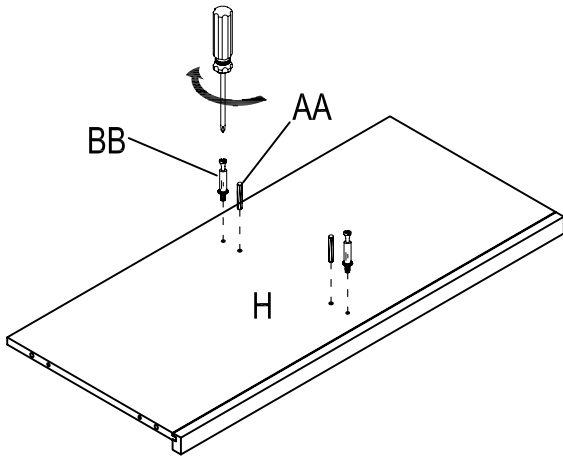
(CC) x 2



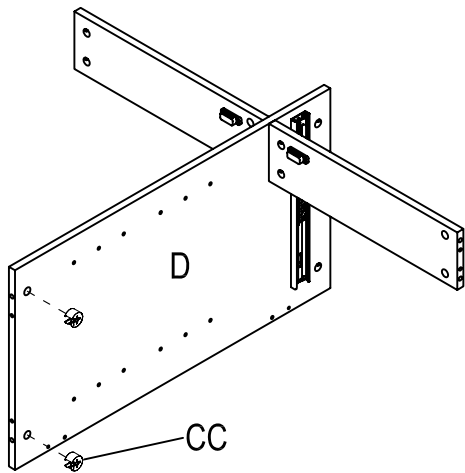
Assembly (continued)

4 Attaching the bottom panel

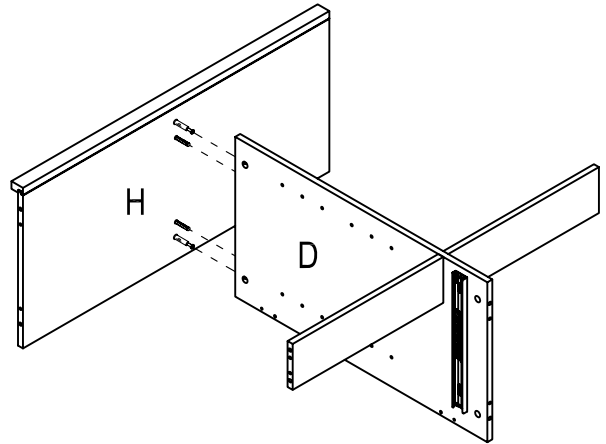
- a) Install dowel (AA) and bolt (BB) into panel (H).



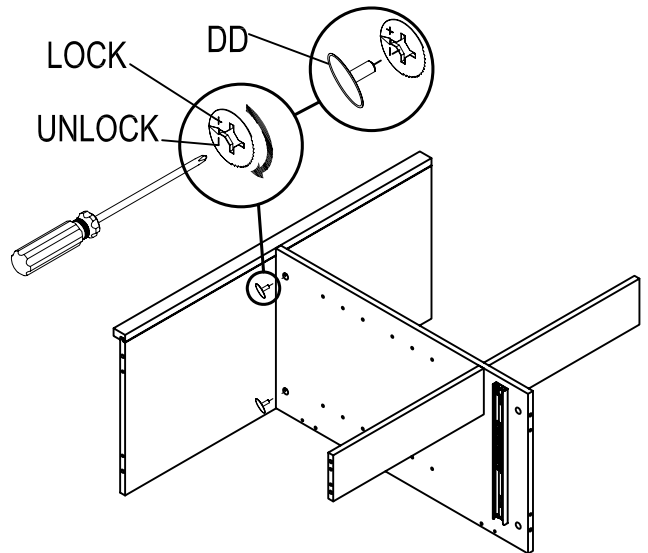
- b) Insert lock (CC) into partition (D).



- c) Join partition (D) to the panel (H) with dowel (AA).



- d) Tighten bolt (BB) with lock (CC) in the pre-drilled holes.



- e) Cover the cam holes with the cover (DD).

Wood dowel

Cam lock bolt

Cam lock

Plastic cover

Small head

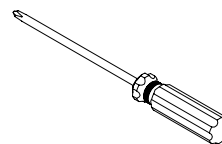
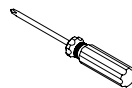
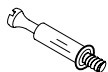
Large head

(AA) x 2

(BB) x 2

(CC) x 2

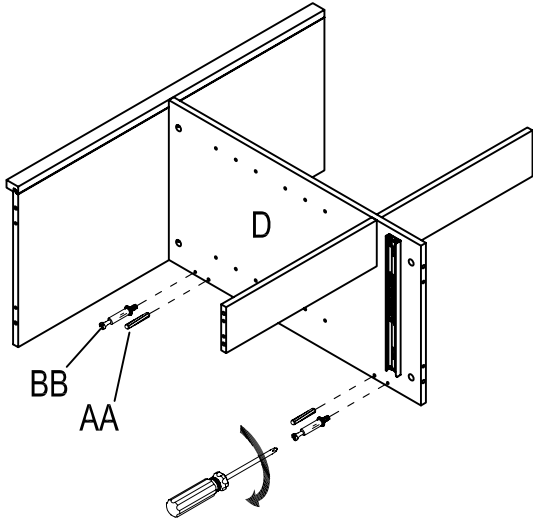
(DD) x 2



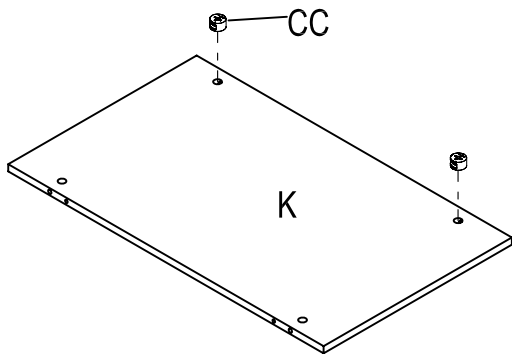
Assembly (continued)

5 Attaching the back panel

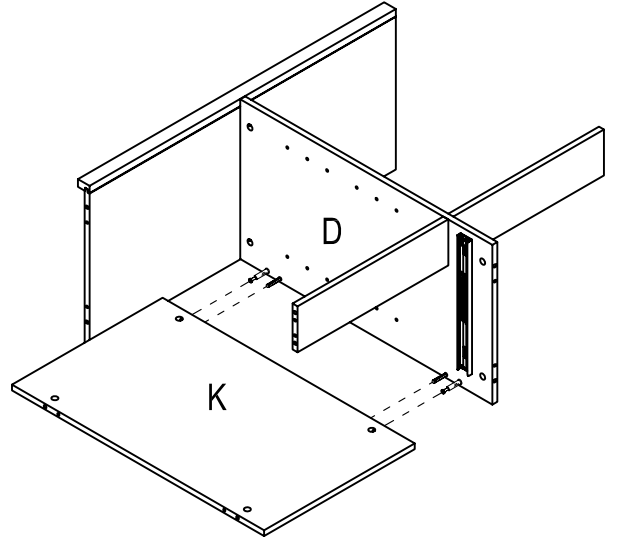
- a) Install dowel (AA) and bolt (BB) into partition (D).



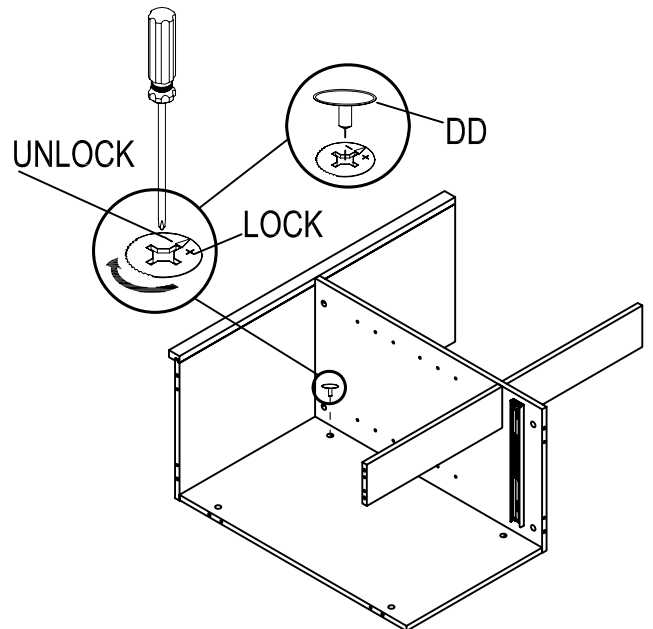
- b) Insert lock (CC) into panel (K).



- c) Join panel (K) to the assembled body with dowel (AA).



- d) Tighten bolt (BB) with lock (CC) in the pre-drilled holes.



- e) Cover the cam holes with the cover (DD).

Wood dowel

Cam lock bolt

Cam lock

Plastic cover

Small head

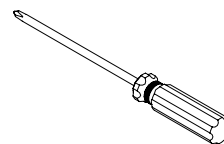
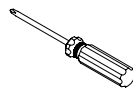
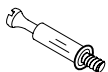
Large head

(AA) x 2

(BB) x 2

(CC) x 2

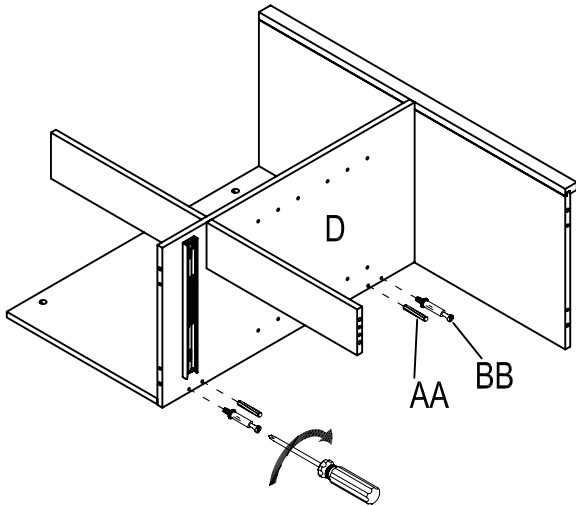
(DD) x 1



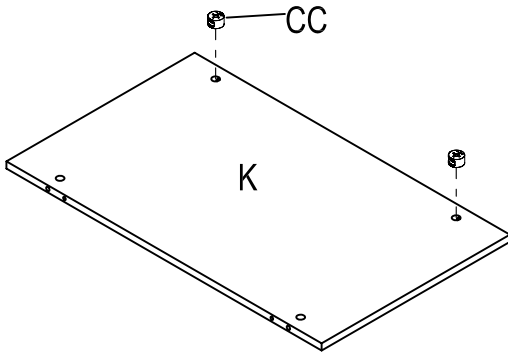
Assembly (continued)

6 Attaching the back panel

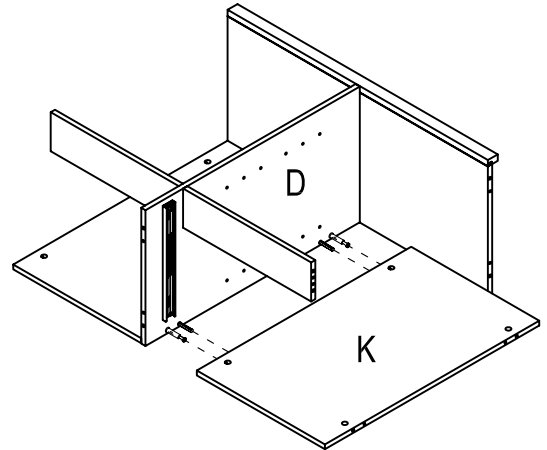
- a) Install dowel (AA) and bolt (BB) into partition (D).



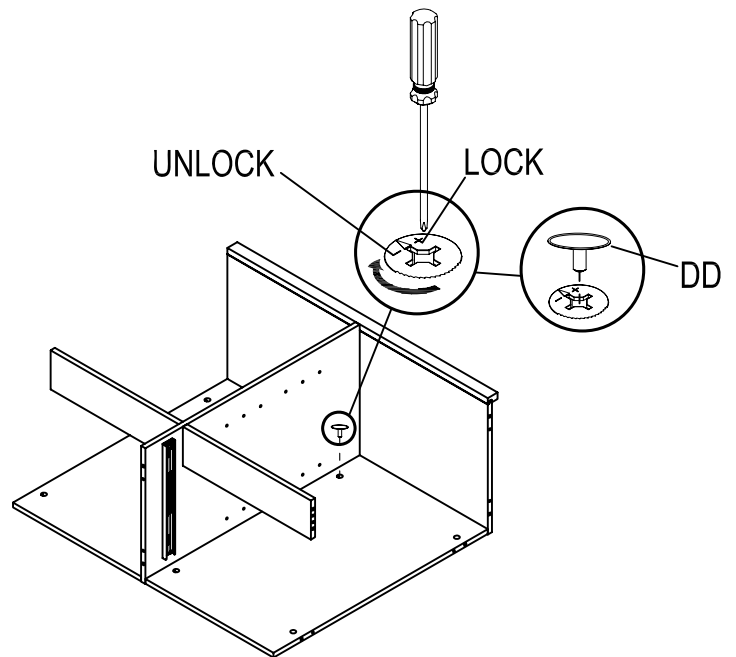
- b) Insert lock (CC) into panel (K).



- c) Join panel (K) to the assembled body with dowel (AA).



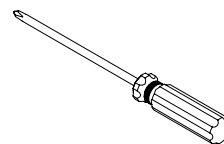
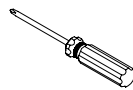
- d) Tighten bolt (BB) with lock (CC) in the pre-drilled holes.



- e) Cover the cam holes with the cover (DD).

Wood dowel Cam lock bolt Cam lock Plastic cover Small head Large head

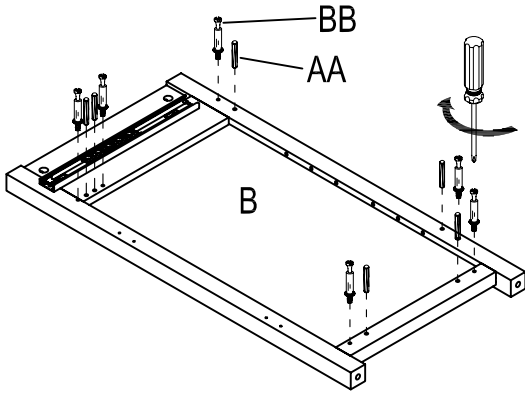
(AA) x 2 (BB) x 2 (CC) x 2 (DD) x 1



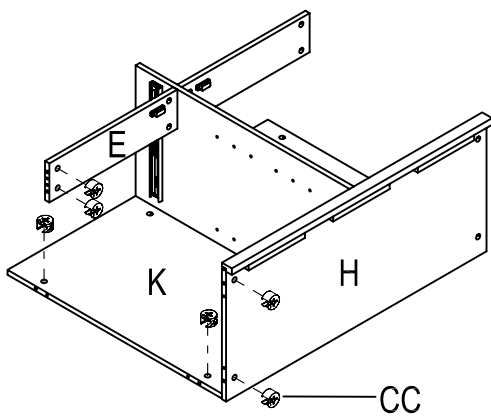
Assembly (continued)

7 Attaching the left side panel

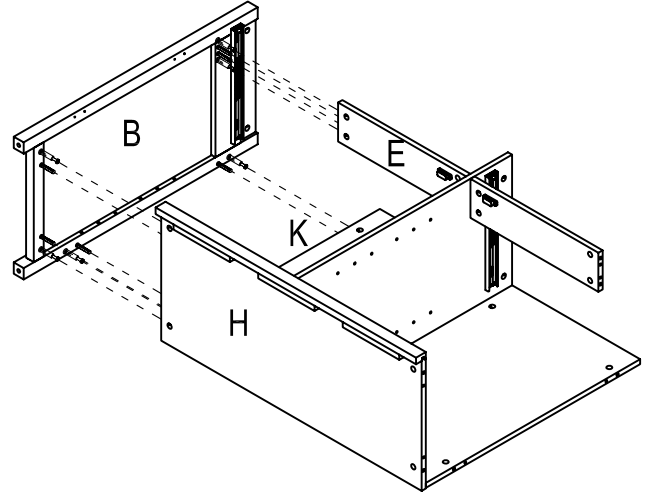
- a) Install dowel (AA) and bolt (BB) into panel (B).



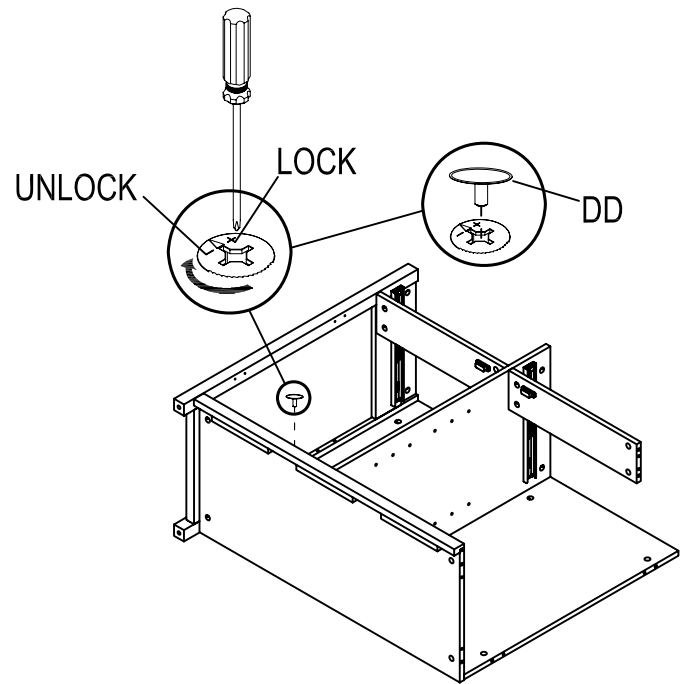
- b) Insert lock (CC) into panels (K) and (H), and bar (E).



- c) Join panel (B) to the assembled body with dowel (AA).



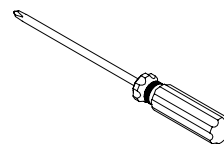
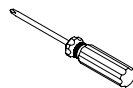
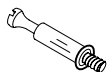
- d) Tighten bolt (BB) with lock (CC) in the pre-drilled holes.



- e) Cover the cam holes with the cover (DD).

Wood dowel Cam lock bolt Cam lock Plastic cover Small head Large head

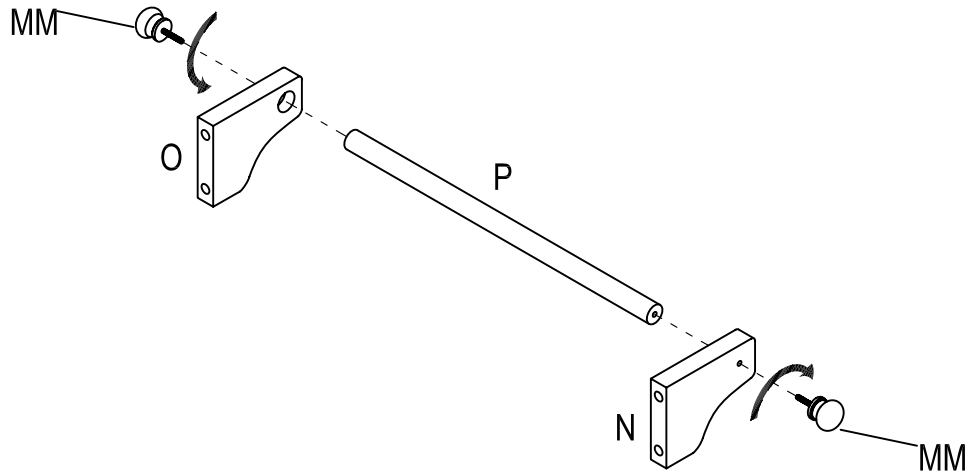
(AA) x 6 (BB) x 6 (CC) x 6 (DD) x 1



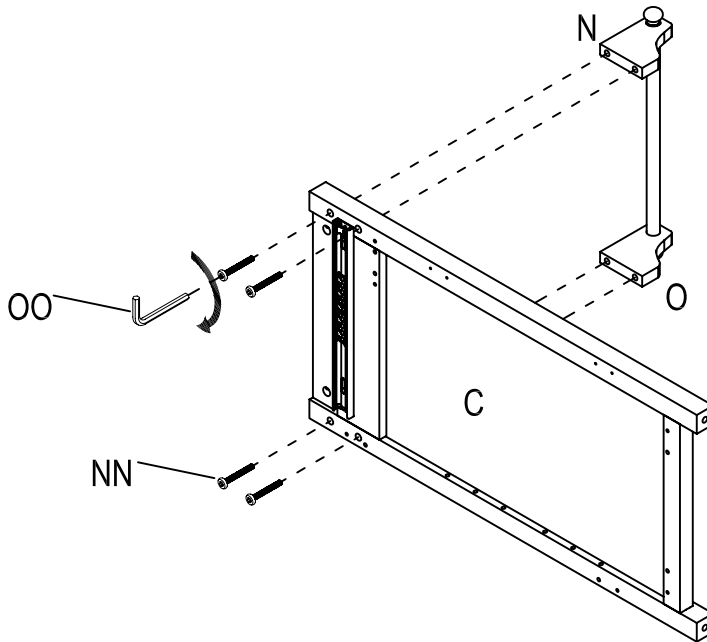
Assembly (continued)

8 Attaching the towel rack

- a) Join towel rack side panels (O) and (N) to the towel bar (P) with knob (MM).



- b) Attach towel rack side panels (O) and (N) to the panel (C) with bolt (NN). Turn and tighten bolt (NN) with wrench (OO).



Knob

Large bolt

Wrench

(MM) x 2

(NN) x 4

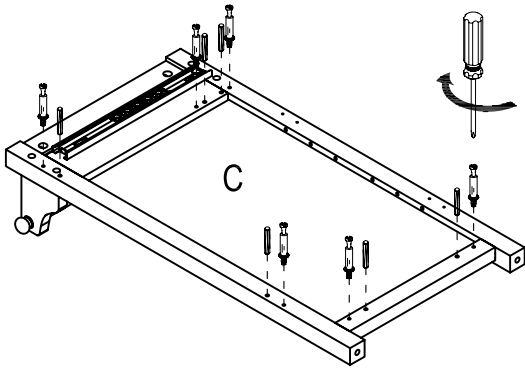
(OO) x 1



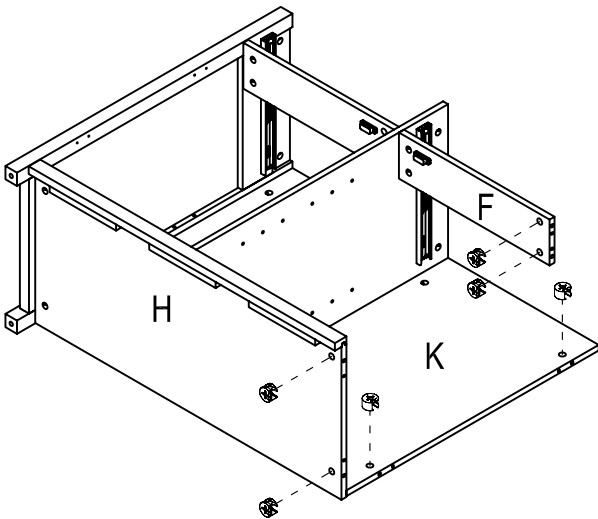
Assembly (continued)

9 Attaching the right side panel

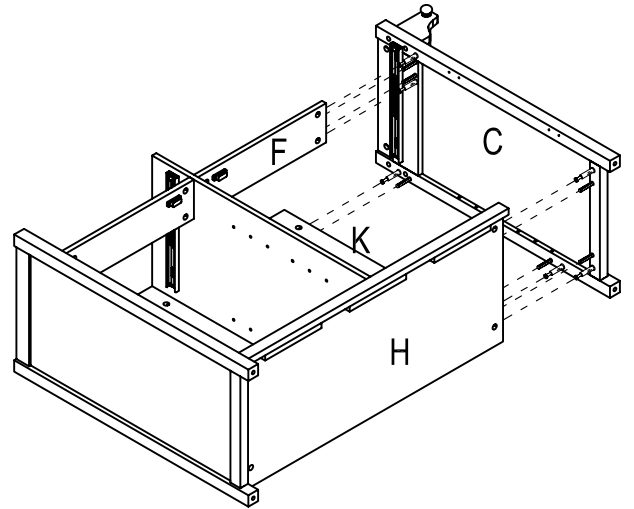
- a) Install dowel (AA) and bolt (BB) into panel (C).



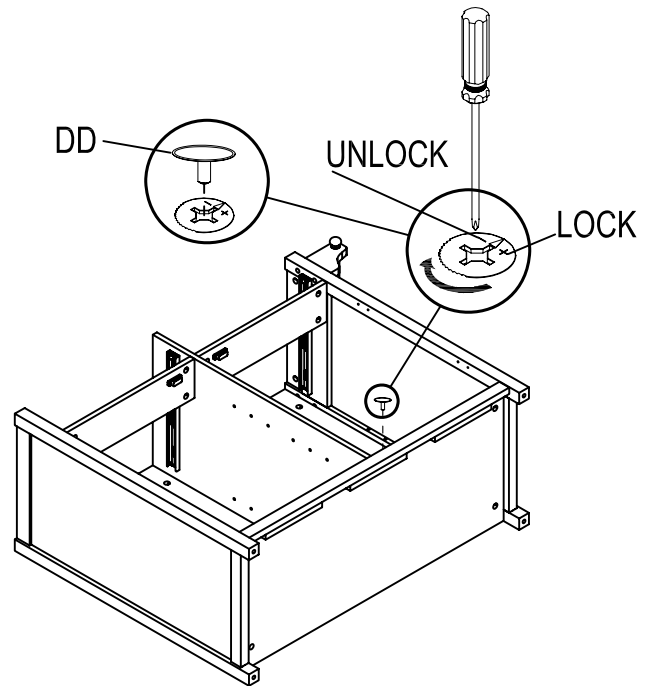
- b) Insert lock (CC) into panels (H) and (K), and bar (F).



- c) Join panel (C) to the assembled body with dowel (AA).



- d) Tighten bolt (BB) with lock (CC) in the pre-drilled holes.



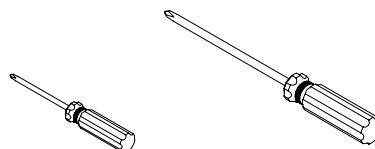
- e) Cover the cam holes with the cover (DD).

Wood dowel Cam lock bolt Cam lock Plastic cover

(AA) x 6 (BB) x 6 (CC) x 6 (DD) x 1



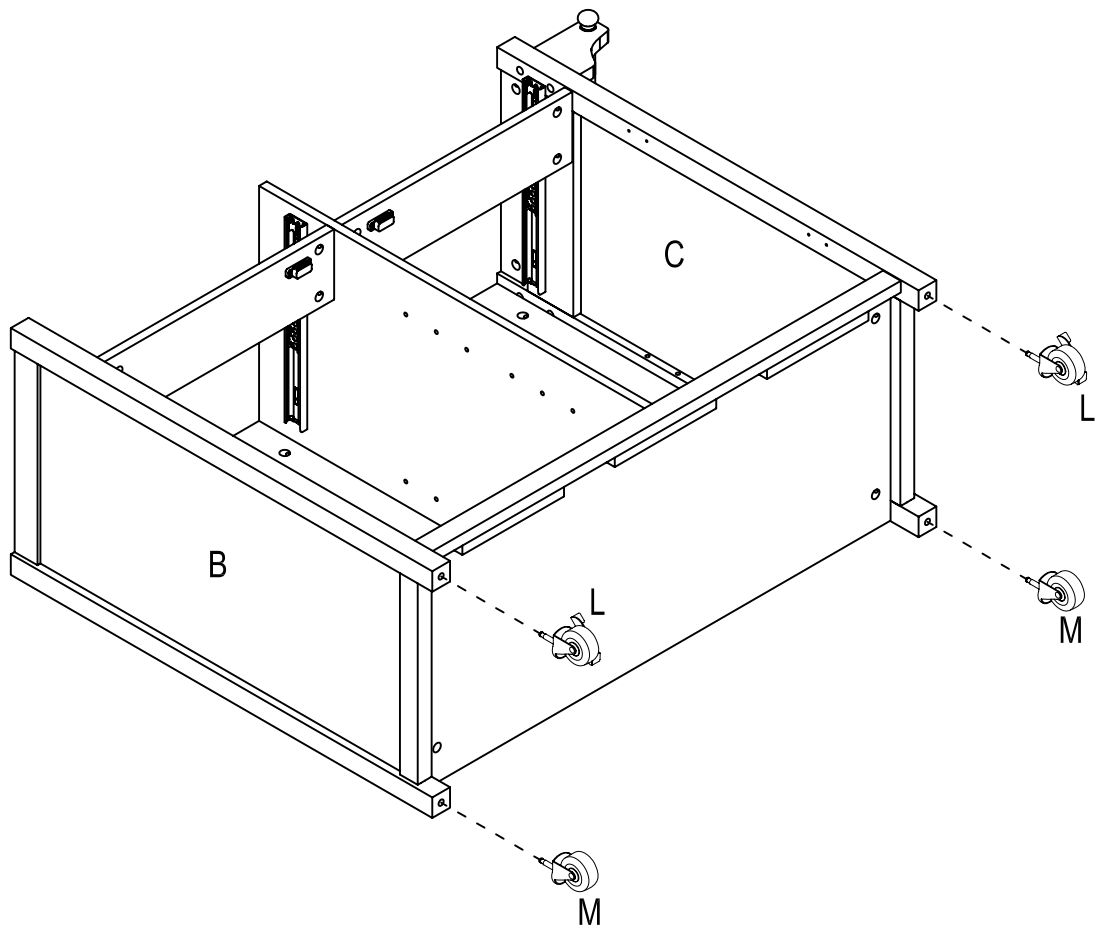
Small head Large head



Assembly (continued)

10 Assembling the universal wheel

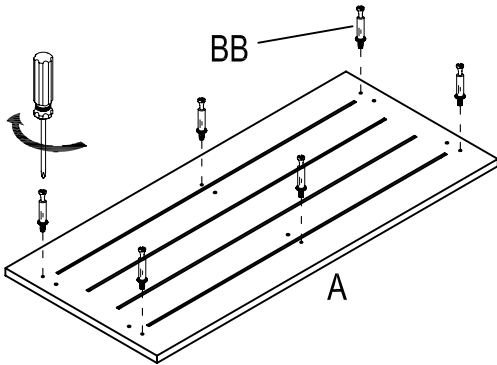
- Insert wheels (U) and (V) into panels (B) and (C) as shown.



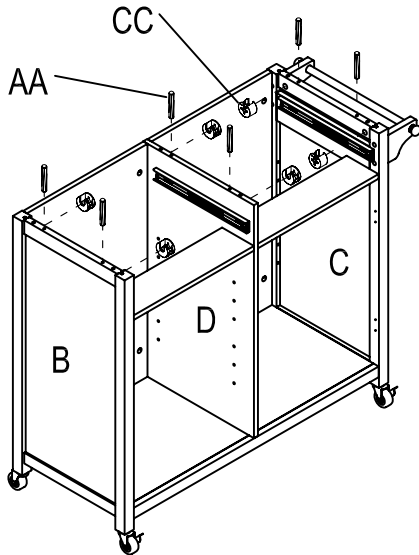
Assembly (continued)

11 Attaching the top panel

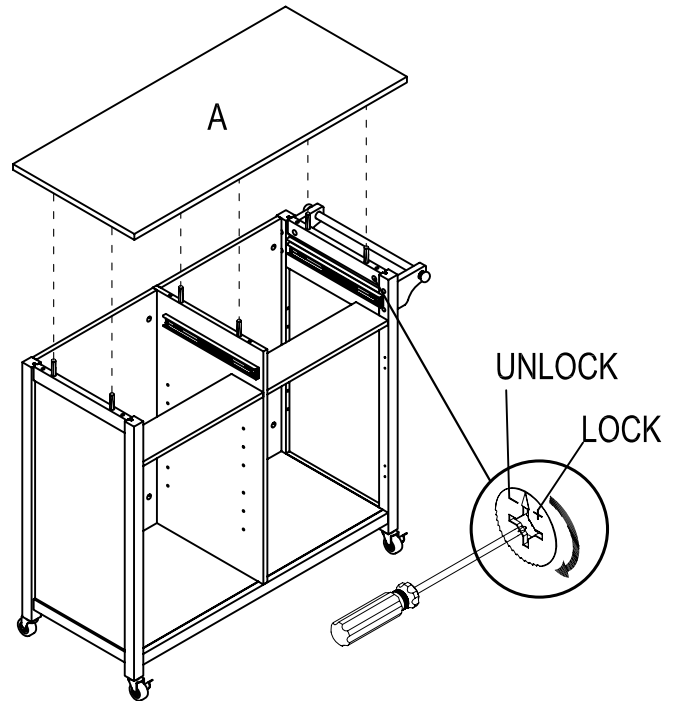
- a) Install bolt (BB) into panel (A).



- b) Insert lock (CC) and dowel (AA) into panels (B) and (C), and partition (D).



- c) Join panel (A) to the assembled body with dowel (AA).



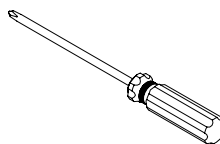
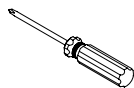
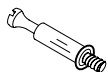
- d) Tighten bolt (BB) with lock (CC) in the pre-drilled holes.

Wood dowel Cam lock bolt Cam lock Small head Large head

(AA) x 6

(BB) x 6

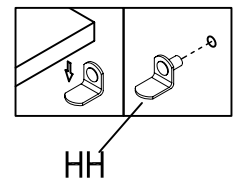
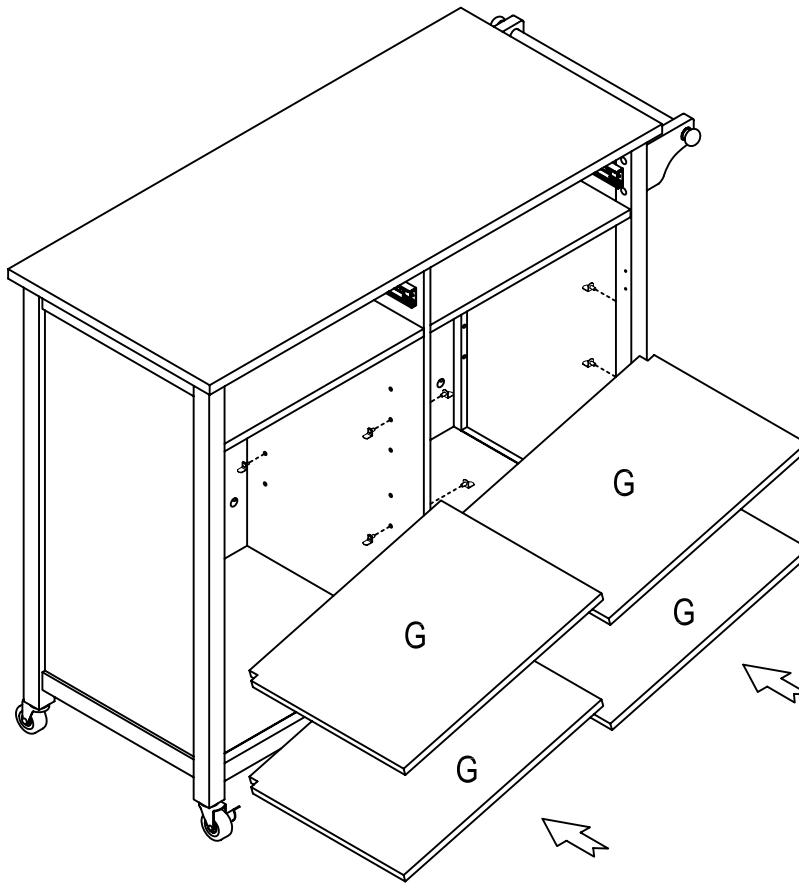
(CC) x 6



Assembly (continued)

12 Assembling the adjustable shelf

- Insert shelf supports (HH) in desired positions and place shelf (G) on the supports.



Shelf support

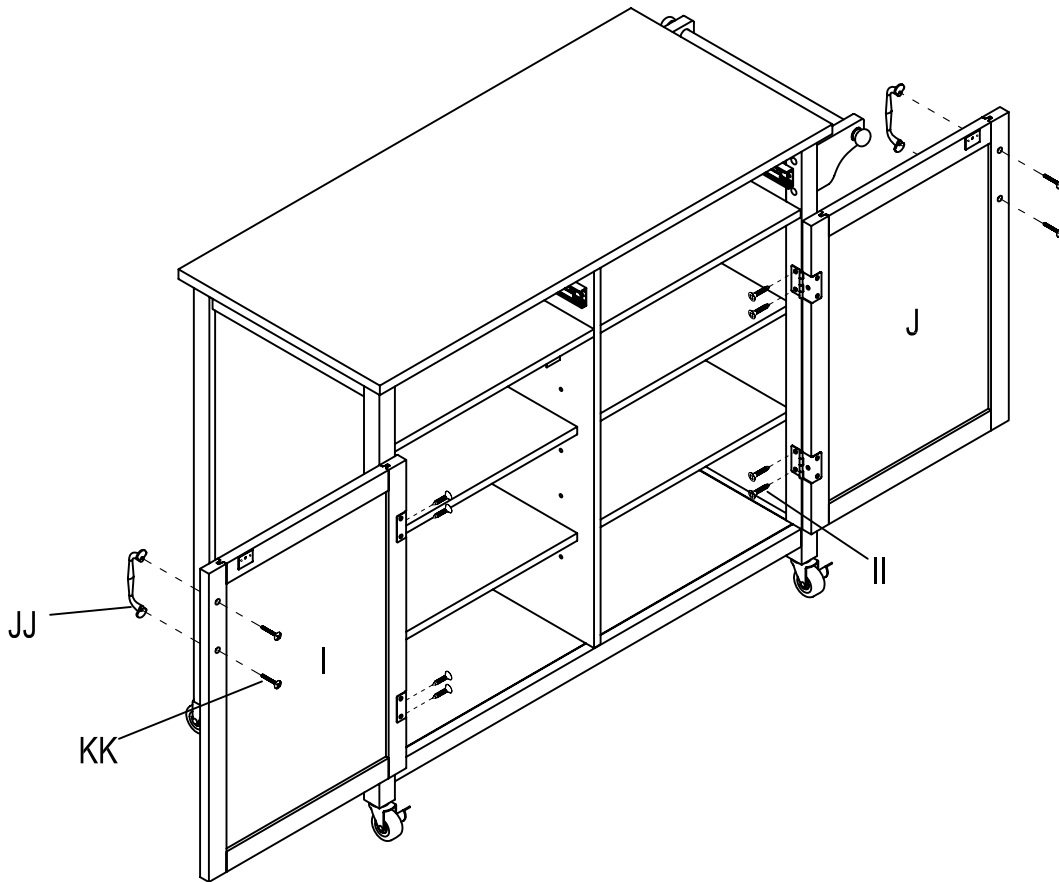
(HH) x 16



Assembly (continued)

13 Attaching the door

- a) Attach left door (I) and right door (J) to the assembled body with screw (II) as shown.



- b) Attach handle (JJ) to door (I) and door (J) with the bolt (KK).



NOTE: A helper who can hold the door in position makes the door installation easier.

1/2 in. Flat head screw

Handle

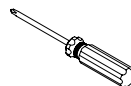
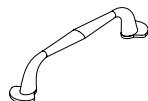
Bolt

Small head

(II) x 8

(JJ) x 2

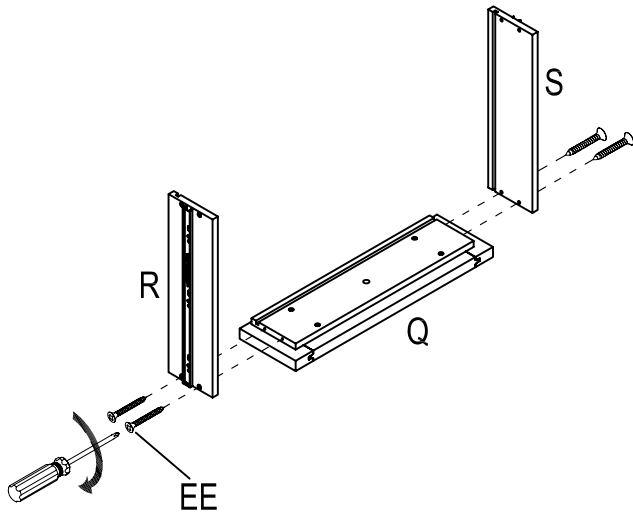
(KK) x 4



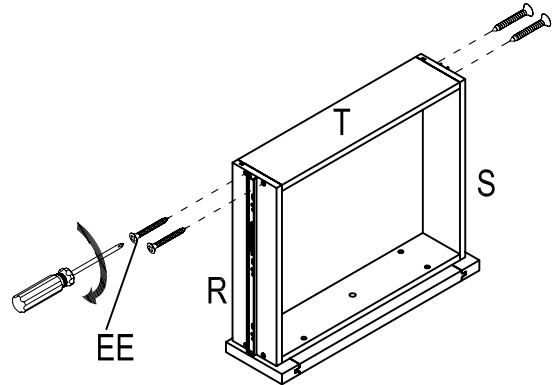
Assembly (continued)

14 Assembling the drawer

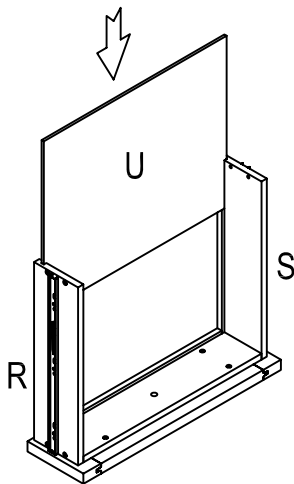
- a) Tighten panels (R) and (S) to the panel (Q) with screw (EE).



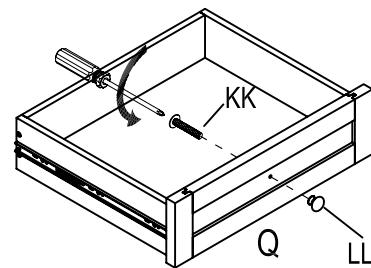
- c) Tighten panel (T) to the assembled body with screw (EE).



- b) Slide panel (U) into the grooves on panels (R) and (S).



- d) Tighten knob (LL) to panel (Q) with bolt (KK).



1 in. Flat head screw

Knob

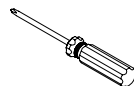
Bolt

Small head

(EE) x 16

(LL) x 2

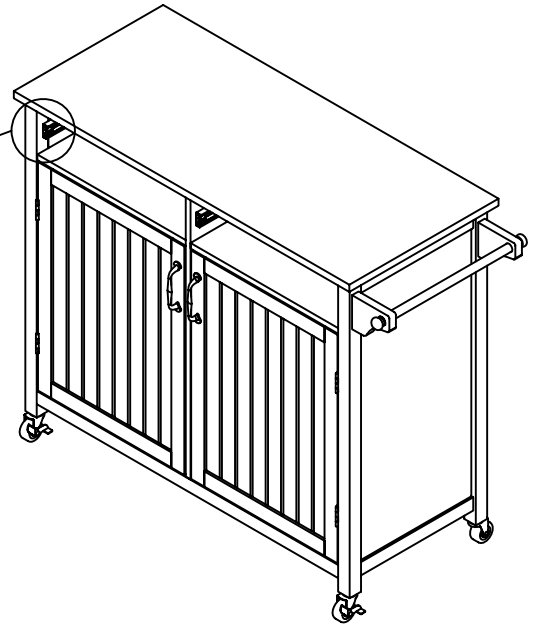
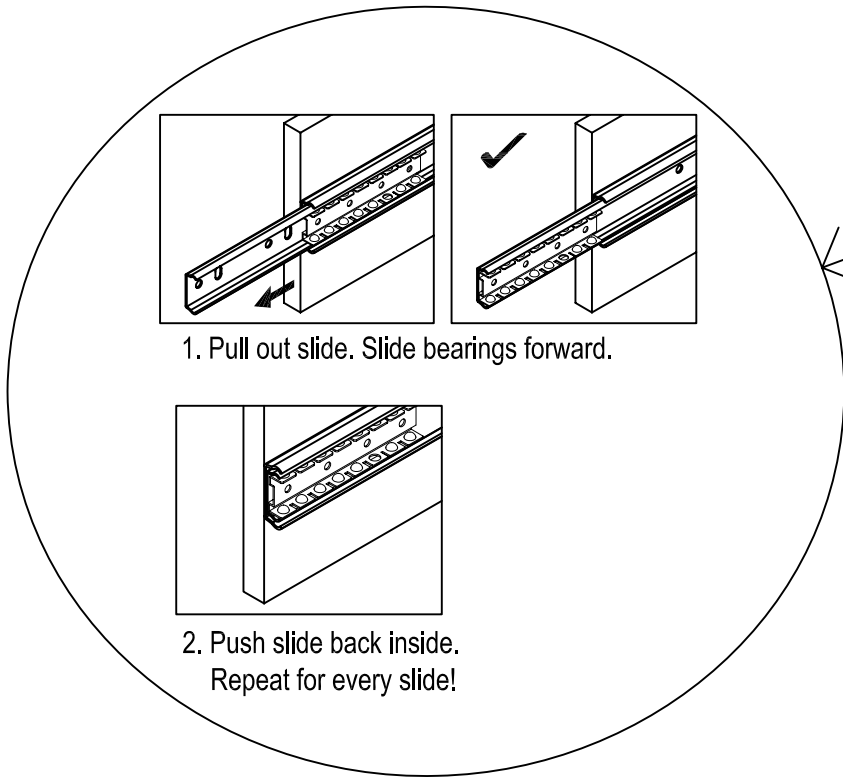
(KK) x 2




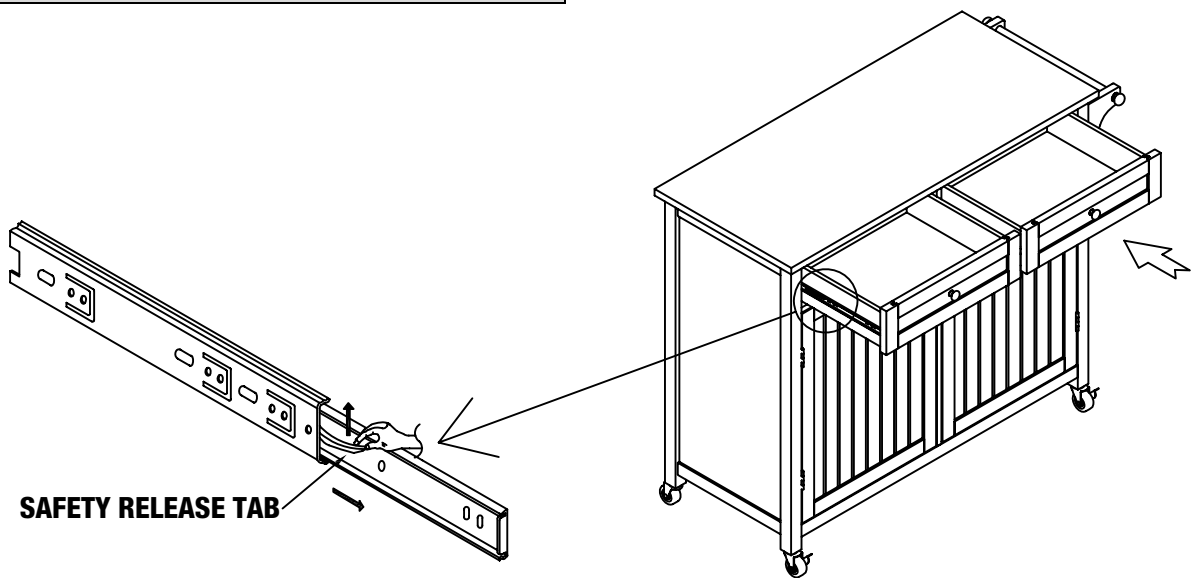
Assembly (continued)


15 Finalizing the assembly

- Insert the six drawers into the assembled body as shown.



 **NOTE:** Make sure the slide piece is at the front end of the glide when installing the drawer into the body.



 **NOTE:** When removing the drawer, tip-up the safety release tab to remove the drawer from the body.

StyleWell.™

Questions, problems, missing parts?
Before returning to the store, call Customer Service
8 a.m. – 7 p.m., EST, Monday – Friday, 9 a.m. – 6 p.m., EST, Saturday

1-877-527-0313

HOMEDEPOT.COM

Retain this manual for future use.