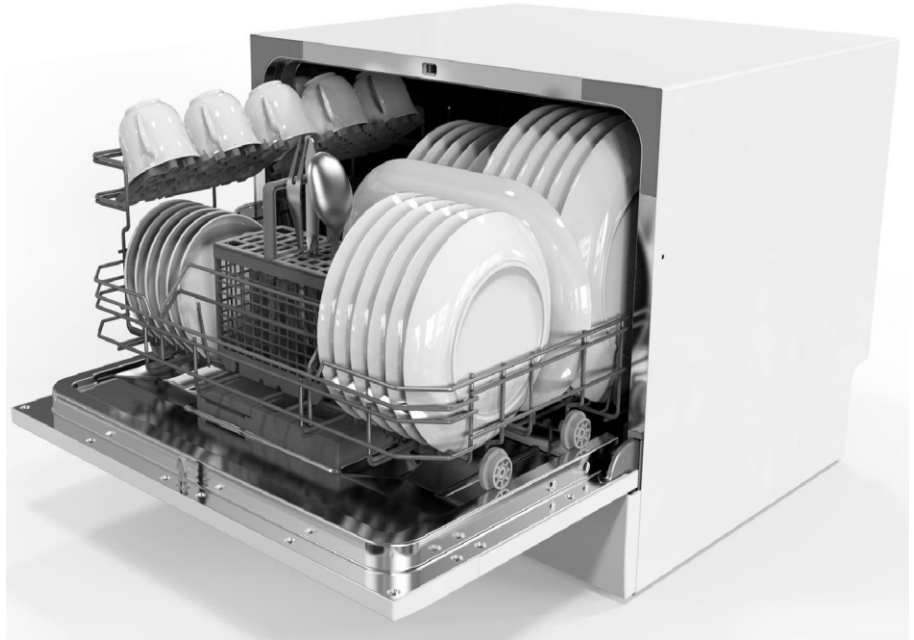




# Dishwasher

*Instruction Manual*

SD-2213S  
SD-2213W





## Read this Manual

Dear Customer,

- Please read this manual thoroughly before use. Understanding the unit will help you use and maintain the dishwasher properly.
- Please keep in a safe place for future reference.
- Pass it on to any subsequent owner of the appliance.

For your safety, the information detailed in this manual should be followed. Improper use/handling can cause serious damage to the appliance and/or to the user, including but not limited to fire, explosion, electric shock, resulting in personal injury or death.



## Before Calling for Service

- Review the section on Troubleshooting Tips - it may help you solve some common issues.
- If you can not resolve the troubles by yourself, please ask for the help of professional technicians.



## NOTE:

The manufacturer, following a policy of constant development and updating of the product, may make modifications without giving prior notice.

## **Safety Information**

Grounding Instruction.....	1
Safety Instructions.....	1

## **Parts Identification**

Front & Back View.....	2
Accessories.....	2

## **Installation**

Unpacking.....	3
Positioning.....	3
Electrical Requirements.....	3
Connecting the Dishwasher.....	4-5
Disconnecting the Dishwasher.....	5

## **Operating Instructions**

Checklist.....	6
Control Panel.....	6
Loading the Dishwasher.....	7
Cutlery Basket.....	8
Detergent Dispenser.....	9
Rinse Aid Dispenser.....	10
Wash Cycle Table.....	11
Starting a Wash Cycle.....	11
Changing the Wash Program.....	12
Forgot to Add a Dish?.....	12
At the End of the Wash Cycle.....	12

## **Maintenance**

Filter System.....	13
Filter Assembly.....	13
Cleaning the Filters.....	13
Cleaning the Dishwasher.....	14
Cleaning the Door.....	14
Cleaning the Spray Arm.....	14
Protect Against Freezing.....	14
Keeping Your Dishwasher in Shape....	15

<b>Troubleshooting</b> .....	16-17
------------------------------	-------

<b>Error Indications</b> .....	17
--------------------------------	----

<b>Technical Information</b> .....	18
------------------------------------	----

## **Warranty**

# IMPORTANT SAFETY INFORMATION

## READ ALL INSTRUCTIONS BEFORE USING

**⚠ WARNING!** When using your dishwasher, follow the precautions listed below:



### GROUNDING INSTRUCTIONS

- This appliance must be grounded. In the event of a malfunction or breakdown, grounding will reduce the risk of electric shock by providing a path of least resistance of electric current. This appliance is equipped with a cord having an equipment-grounding conductor and a grounding plug.
- The plug must be plugged into an appropriate outlet that is installed and grounded in accordance with all local codes and ordinances.

### ⚠ WARNING!

- Improper connection of the equipment-grounding conductor can result in a risk of electric shock.
- Check with a qualified electrician or service representative if you are in doubt whether the appliance is properly grounded. Do not modify the plug provided with the appliance; if it does not fit the outlet. Have a proper outlet installed by a qualified electrician.

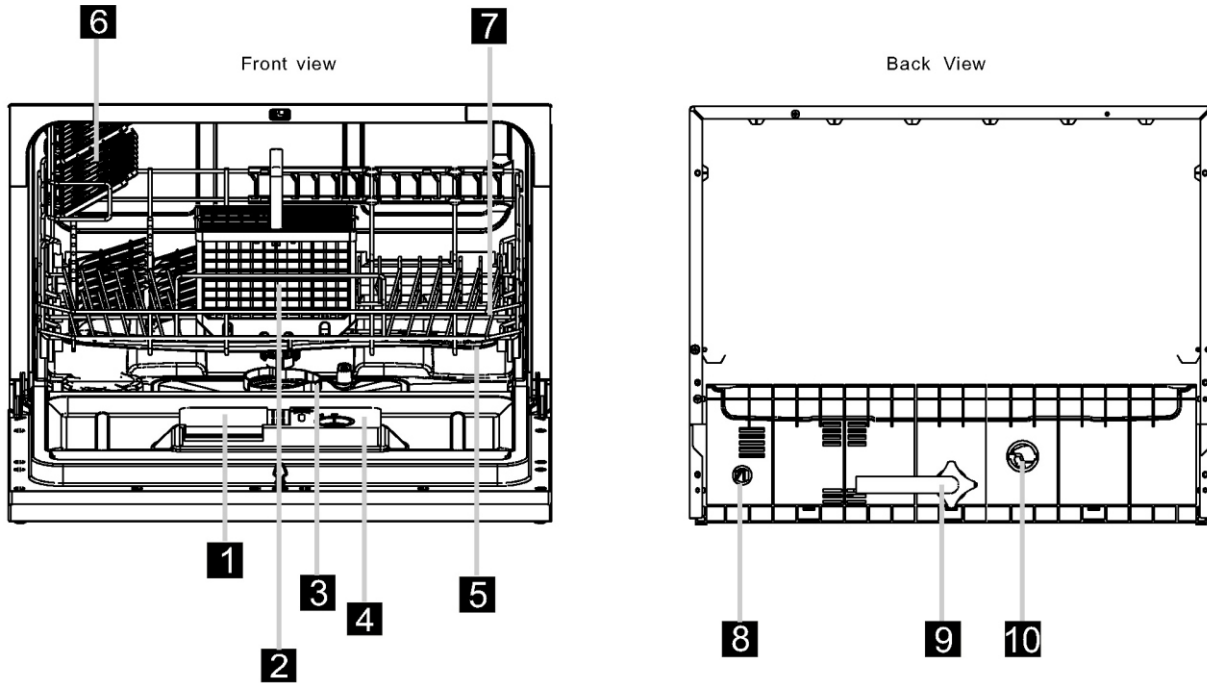


### WARNING! PROPER USE

- Use this appliance only for its intended purpose as described in this manual.
- This appliance is not intended for use by children.
- Do not abuse, sit on, or stand on the door or dish rack of the dishwasher.
- Do not touch the heating element during or immediately after use.  
(This instruction is only applicable to machines with a visible heating element.)
- Do not operate your dishwasher unless all enclosure panels are properly in place. Open the door very carefully if the dishwasher is operating, there is a risk of water squirting out.
- Do not place any heavy objects or stand on the door when it is open. The appliance could tip forward.
- When loading items to be washed:
  - 1) Locate sharp items so that they are not likely to damage the door seal;
  - 2) Warning: Knives and other utensils with sharp points must be loaded in the basket with their points down or placed in a horizontal position.
- Check that the detergent receptacle is empty after completion of the wash cycle.
- Do not wash plastic items unless they are marked dishwasher safe or the equivalent. For plastic items not marked as dishwasher safe, refer to the manufacturer's recommendations.
- Use only detergent and rinse additives designed for an automatic dishwasher.
- Never use soap, laundry detergent, or hand washing detergent in your dishwasher. Keep these products out of the reach of children.
- Keep children away from detergent and rinse aid, keep children away from the open door of the dishwasher, there could still be some detergent left inside.
- This appliance is not intended for use by persons (including children) with reduced physical, sensory or mental capabilities, or lack of experience and knowledge, unless they have been given supervision or instruction concerning use of the appliance by a person responsible for their safety.
- Children should be supervised to ensure that they do not play with the appliance.
- Dishwasher detergents are strongly alkaline, they can be extremely dangerous if swallowed. Avoid contact with skin and eyes and keep children away from the dishwasher when the door is open.
- The door should not be left in the open position since this could present a tripping hazard.
- If the supply cord is damaged, it must be replaced by the manufacturer or its service agent or a similarly qualified person in order to avoid a hazard.
- Remove the door before discarding an old dishwasher.
- Please dispose of packing materials properly.
- Use the dishwasher only for its intended function.
- During installation, the power supply must not be excessively or dangerously bent or flattened. Do not tamper with controls.
- Use new set of hoses to connect this appliance to the water mains. Do not reuse old hose sets.
- The maximum number of place settings to be washed is 6.
- The maximum permissible inlet water pressure is 1Mpa.
- The minimum permissible inlet water pressure is 0.04Mpa.

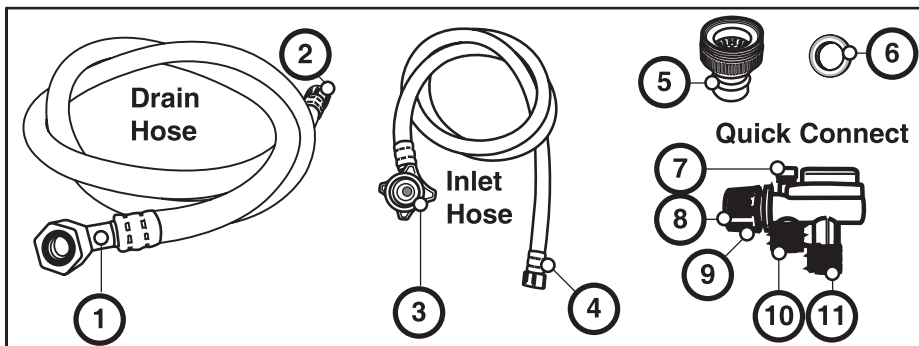
**READ AND FOLLOW THIS SAFETY INFORMATION CAREFULLY**  
**SAVE THESE INSTRUCTIONS**

# PARTS IDENTIFICATION



- |                              |                              |                     |                     |                                |
|------------------------------|------------------------------|---------------------|---------------------|--------------------------------|
| <b>1</b> Detergent Dispenser | <b>3</b> Filter assembly     | <b>5</b> Spray Arms | <b>7</b> Basket     | <b>9</b> Inlet pipe connector  |
| <b>2</b> Cutlery Basket      | <b>4</b> Rinse Aid Dispenser | <b>6</b> Cup Shelf  | <b>8</b> Power Cord | <b>10</b> Drain pipe connector |

## ACCESSORIES



### Drain Hose:

1. Drain port connection
2. Quick connect connection

### Inlet Hose:

3. Inlet port connection
4. Quick connect connection

### Faucet Adapter:

5. Faucet Adapter
6. Faucet washer

### Quick Connect:

7. Pressure relief valve
8. Faucet adapter connection
9. Locking collar
10. Inlet hose connection
11. Drain hose connection

Your dishwasher comes equipped with a 'quick connect' assembly (includes inlet and drain hose). The faucet adapter must be installed on the faucet before you can connect the dishwasher. This adapter is installed on the Quick Connect. The faucet adapter is compatible with faucets inclusive of either male (outside) or female (inside) threaded faucet connections.



## **⚠ WARNING!**

In order to avoid water pressure build up, please turn off the faucet after each use.

# INSTALLATION

## **Attention:**

The installation of the pipes and electrical equipments should be done by professionals.

 <b>Warning</b>	
	<p>Electrical Shock Hazard Disconnect electrical power before installing dishwasher.</p> <p>Failure to do so can result in death or electrical shock.</p>

## **Unpacking**

Have at least two people to move and install the dishwasher to prevent personal injuries. Remove all packaging materials: shipping tape, foam pieces, etc. before use. Do not use sharp instruments, rubbing alcohol, flammable fluids or abrasive cleaners. Check and make sure all parts necessary for installation are included. If parts are missing, please contact Sunpentown at 1-800-330-0388. The dishwasher must be placed on a level and flat surface that can support the weight when the dishwasher is fully loaded.

## **Positioning**

This dishwasher is designed for countertop installation. The dishwasher is equipped with water supply and drain hoses that can be positioned to the right or the left to facilitate proper installation. Make sure water supply/faucet connection is within reach of the inlet and drain hose assembly (5 ft).

## **Electrical Requirements**

Read all safety precautions listed at the beginning of the manual. Make sure the electrical outlet is within reach of the power supply cord (4.5 ft). It is recommended to not use receptacles that can be turned on/off by a switch or pull chain.

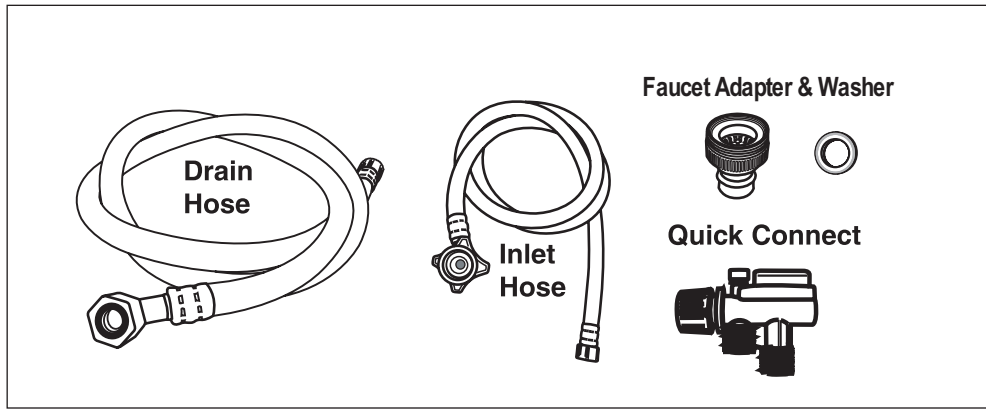
Refer to the rating label and be sure the voltage and frequency corresponds to the power supply. Use a dedicated circuit that is rated for 10 amps.

The dishwasher is equipped with a power supply cord with a 3-prong grounding plug. The cord must be plugged into a mating 3-pronged wall receptacle. If a mating wall receptacle is not available, it is the personal responsibility of the customer to have a properly grounded, 3-prong wall receptacle installed by a certified electrician.

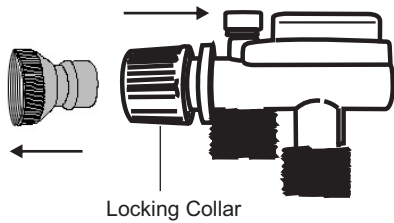
### **WARNING!**

- DO NOT use an extension cord or an adapter plug with this appliance.
- DO NOT, under any circumstances, cut or remove the ground-prong.
- Improper connection of the connection of the equipment grounding conductor can result in electric shock.
- Check with a qualified electrician or service representative if you are in doubt whether the appliance is properly grounded.

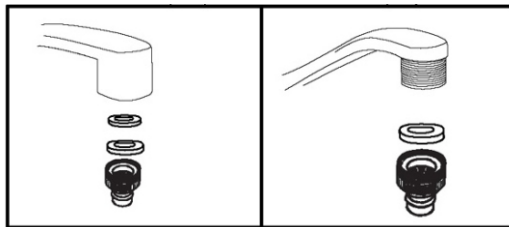
# Connecting the Dishwasher



Your dishwasher is equipped with a Faucet Adapter (installed on the Quick Connect), Quick Connect, Drain and Inlet Hose. The faucet adapter must be installed on the faucet before connecting the dishwasher.



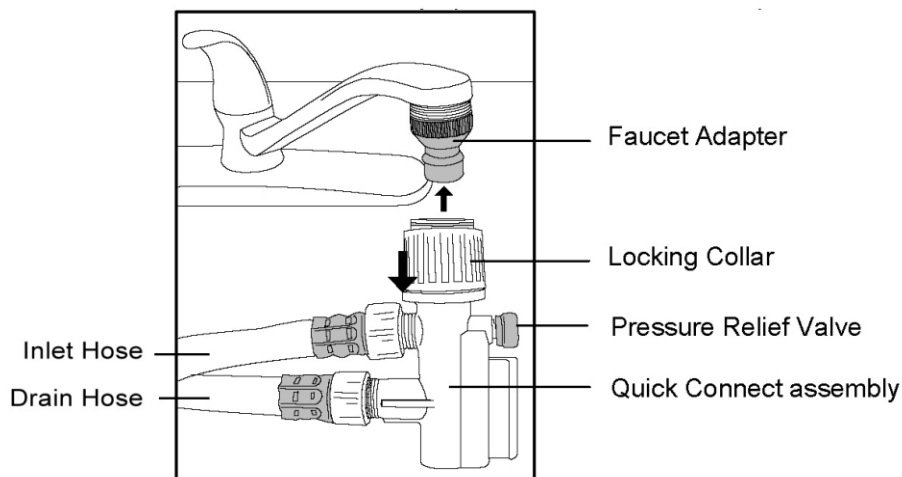
Remove the Faucet Adapter by pulling back the locking collar on the Quick Connect; while pulling the Faucet Adapter in the opposite direction.



The Faucet Adapter is compatible with either female (inside) or male (outside) threaded faucet connections:

- If your faucet is “female” type, both rubber washers must be installed inside the faucet adapter.
- If your faucet is “male” type, use only one rubber washer. Remove the second rubber washer.

## Installing Quick Connect to faucet



1. Screw the Faucet Adapter onto (or into) the faucet. Check for leaks (use Teflon or plumbers tape to eliminate any leaks if necessary).
2. Connect the six-sided connection of the Drain Hose to the dishwasher's drain port, located on back of the dishwasher cabinet. To avoid damage to threads, do not over-tighten.
3. Connect the star-shaped connection of the Inlet Hose to the dishwasher's inlet port, located on the back of the dishwasher cabinet. Do not over-tighten.
4. Connect the circular connection of the Drain Hose to the longer (bottom) male connection on the Quick Connect.
5. Connect the circular connection of the Inlet Hose to the shorter (top) male connection on the Quick Connect.
6. Attach the Quick Connect assembly onto the Faucet Adapter - pull down on the locking collar, while pushing the Quick Connect assembly upwards onto the Faucet Adapter.
7. Release the locking collar when the Quick Connect Assembly snaps onto the Faucet Adapter. Verify connection is secure.
8. Slowly turn on the water line and check for any signs of water leak at all connections. If leaks are located, immediately turn off the water supply and repair hose connections.

### **IMPORTANT**

- Once you turn on the water supply (even if turned off immediately), the inlet hose will be pressurized.
- To relieve the water pressure (make sure water supply is turned off): press and hold the red pressure relief button on the Quick Connect until the flow of water stops.

### **WARNING**

FAILURE TO RELIEVE WATER PRESSURE, BEFORE DISCONNECTING THE QUICK-CONNECT FROM THE FAUCET, WILL RESULT IN BACK-PRESSURE OVER-SPRAY. THE TEMPERATURE OF INCOMING WATER CAN BE VERY HOT, AND BACK-PRESSURE OVER-SPRAY CAN CAUSE SEVERE BURNS AND/OR SCALDING.

### **DANGER**

DO NOT LET CHILDREN DISCONNECT THE DISHWASHER; CLOSE SUPERVISION OF CHILDREN IS ALWAYS IMPORTANT AROUND APPLIANCES.

### **NOTE:**

Hard water conditions will adversely affect the washing performance of your dishwasher. Hard water conditions will also contribute to 'lime' (white film substance) deposits and/or 'scaling' on the stainless steel surface of the dishwasher tub and heater element, located in the sump underneath the removable filter screen. To assist in minimizing these conditions, it is recommended to periodically operate/rinse the inside of the dishwasher (empty) using 1 cup of white vinegar at least once a week.

## **Disconnecting the Dishwasher**

1. Turn off water supply at the faucet.
2. Disconnect the power supply cord.
3. Release water pressure inside the inlet hose. Press and hold the red Pressure Relief Valve until the flow of water stops.
4. Disconnect the Quick Connect assembly by pulling down on the locking collar and release from Faucet Adapter.



# OPERATING INSTRUCTIONS

**!** **IMPORTANT** To get the best performance from your dishwasher, read all operating instructions.

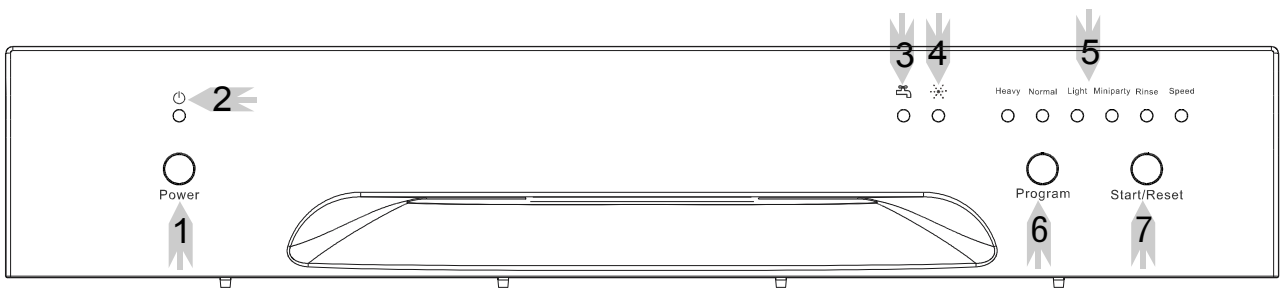
## Checklist

The following things should be checked before using the dishwasher:

- The dishwasher is level
- Water (faucet) is turned on
- There are no leaks at the drain and inlet ports
- The unit's power plug is connected to a grounded outlet
- Power is turned on
- There are no kinks in the drain and inlet hoses
- All packaging and printed materials are removed from the dishwasher

**!** **Attention:** After installation, please make sure to keep this manual.

## Control Panel



- 1 Power Button:** Press to turn the unit ON/OFF
- 2 Power Indicator**
- 3 Water Supply Indicator:** Indicates no water supply (faucet is not turned on)
- 4 Rinse-Aid Warning Indicator:** Indicates the rinse aid needs to be refilled
- 5 Wash Program Indicators:** Indicates selected wash program
- 6 Wash Program Selector:** Press to select desired wash program
- 7 Start/Pause Button:** Press to START or PAUSE the dishwasher

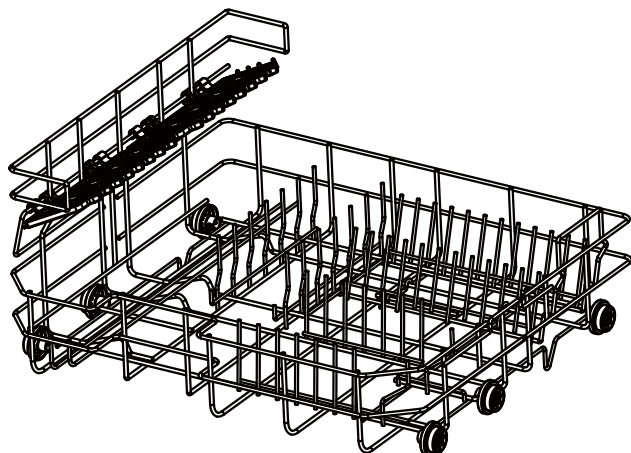
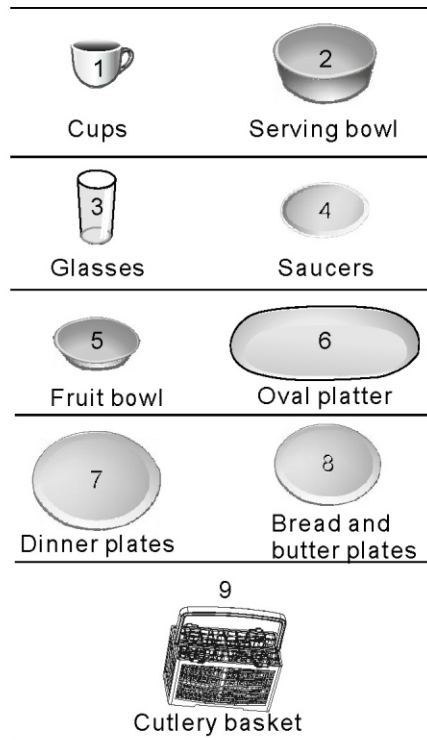
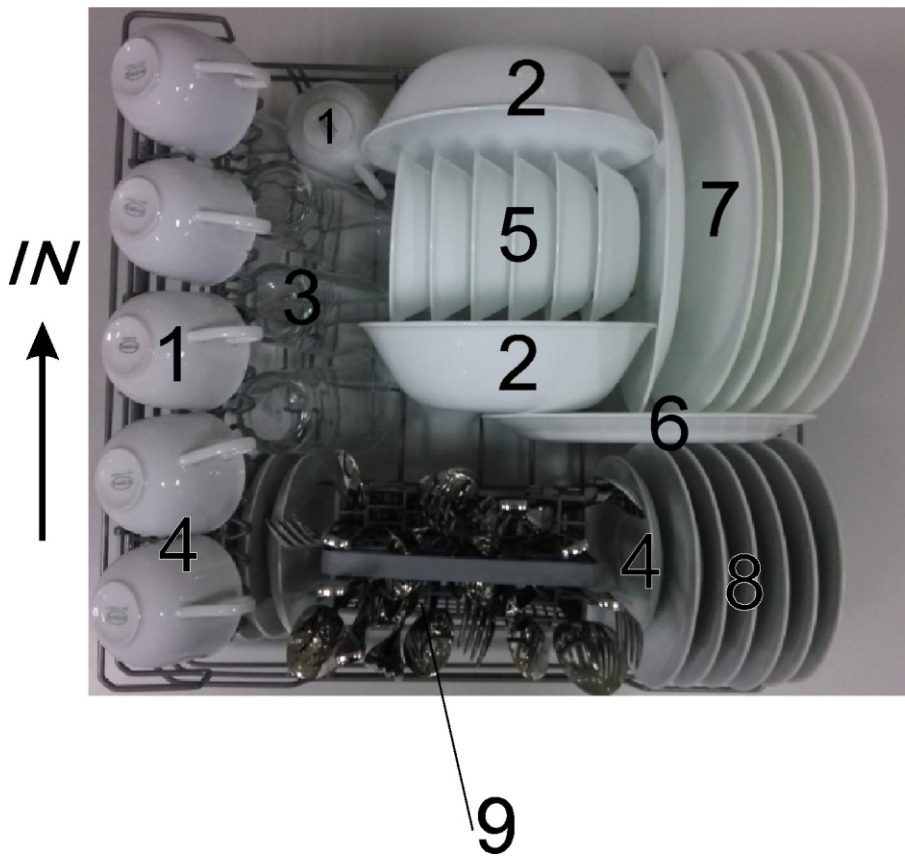


# Loading the Dishwasher

A properly loaded dishwasher is key for optimal performance. Never overfill the dishwasher as it can reduce the unit's efficiency. Improper placement of items can also affect the dishwasher's performance. Position the dishes and utensils so they are secure during the wash cycle and will not be moved by sprayed water.

This dishwasher is designed to hold 6 place settings:

- |                      |                 |                        |
|----------------------|-----------------|------------------------|
| 6 cups               | 6 saucers       | 6 dinner plates        |
| 6 glasses            | 6 bowls         | 6 dessert/bread plates |
| 2 serving dish/bowls | 1 large platter | 6 sets of utensils     |



### Plate racks

The basket is fitted with plate racks which can be stowed horizontal if required.

## Cutlery Basket

Flatware should be placed in the cutlery basket with handles at the bottom. Knives and other sharp utensils should be placed with handles up, but make sure the tips do not extend through the bottom. If the rack has side baskets, spoons should be loaded individually into appropriate slots. Longer utensils should be placed horizontally on the cup shelf.



### ▲ **WARNING!**

- Do not let any item extend through bottom.
- Always load sharp utensils with the sharp point down!
- Be sure similar pieces do not nest together.

### **FOR BEST PERFORMANCE:**

- Scrape off food particles before loading.
- Soften remnants of burnt food in pans
- Place cups, glasses, pots/pans face down.
- Curved items, or those with recesses, should be loaded at a slant so water can run off.
- Allow sufficient space between items to allow water and detergent to reach each surface.
- Ensure glasses and stemware are secure and balanced.
- Ensure breakable items are not sitting on metal cutlery which can chip the dishes.
- Do not overload the dishwasher.

### **WARNING**

- To prevent damage, do not remove glass and cutlery from the dishwasher immediately after end of program. Allow the dishware to return to room temperature.

The following items are not suitable for wash in the dishwasher:

- Cutlery with wooden, horn china or mother-of-pearl handles and wooden platters
- Plastic items that are not heat resistant.
- Older cutlery with glued parts that are not temperature resistant.
- Bonded cutlery items or dishes
- Pewter or copper items
- Crystal glass
- Steel items subject to rusting
- Very small items as they may fall out the basket
- Items made from synthetic fibers

The following are of limited suitability:

- Silver and aluminum - tends to discolor after washing
- Glazed patterns may fade

## Detergent Dispenser

Use only detergent specifically made for use with dishwashers. Keep detergent fresh and dry. Do not put powder detergent into the dispenser until you are ready to wash dishes, which can get damp and not dissolve properly.

The hardness of your water will affect the amount of detergent to use. With hard water, extra detergent is needed to remove deposits left by excessive minerals. Soft water requires less detergent (too much detergent with soft water can cause permanent cloudiness of glassware)

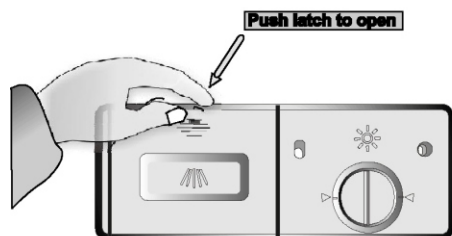
### DETERGENT TABLETS

Detergent tablets of different brands dissolve at different speeds. For this reason, some tablets cannot dissolve and develop their full cleaning power during short programs. If using a detergent tablet, please select a long program to ensure complete removal of detergent residuals.

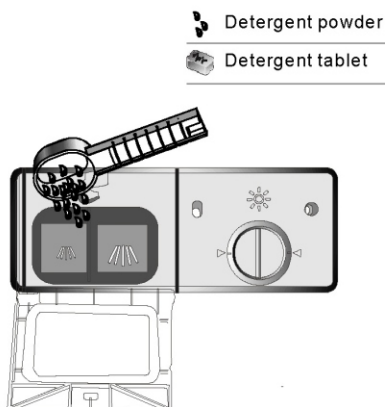
### ADDING DETERGENT

The dispenser must be filled before start of each wash cycle. Your dishwasher uses less detergent and rinse aid than conventional dishwasher. Generally, only one tablespoon of detergent is needed for a normal wash load. After filling, close lid and press until it locks in place.

1

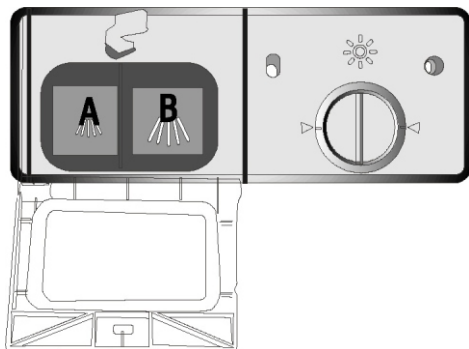


2



#### ⚠ WARNING!

Dishwasher detergent is corrosive! Take care to keep it out of reach of children.



**A** Main detergent chamber  
(holds up to 15 grams of detergent)

**B** Tablet or pre-wash cycle detergent chamber.  
If dishes are heavily soiled, add additional detergent here, which will be released during pre-wash phase.  
(holds up to 25 grams of detergent)

#### NOTE

- Please observe manufacturers dosing and storage recommendations as stated on detergent packaging.
- NEVER USE HAND DISH DETERGENT!

## Rinse Aid Dispenser

The rinse aid is released during the final rinse to help remove spots and prevent film build-up on your dishes, flatware and cookware. Also improves drying by allowing water to sheet off the dishes. Your dishwasher is designed to use liquid rinse aids.

### ADDING RINSE AID

The rinse aid dispenser is located inside the door, next to the detergent dispenser.

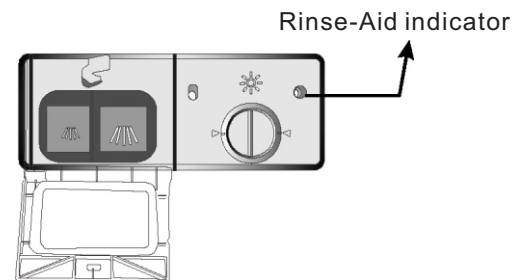


1. Make sure the dishwasher door is fully open.
2. Turn the dispenser cap counter-clockwise to the left arrow. Lift and remove cap.
3. Add rinse aid until the indicator window turns completely black - be careful not to overfill. (The capacity of the rinse aid container is approx. 3.7 oz.)
4. Replace cap by aligning to the "open" (left) arrow and turn clockwise to close.
5. Clean up any spilled rinse aid to avoid excessive foaming in the next wash.

### REFILLING RINSE AID

When the rinse aid container is full, the Rinse Aid Indicator (next to the cap) will be dark. As rinse aid diminishes, the size of the dark dot will also reduce. Do not let the rinse aid fall below 1/4 full:

- Full
- 3/4 full
- 1/2 full
- 1/4 full - time to refill to eliminate spotting
- Empty

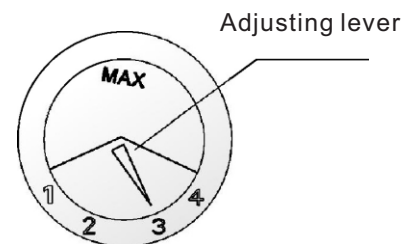


#### Attention!

Only use branded rinse aid for the dishwasher. Never fill the rinse aid dispenser with other substances such as liquid detergent.

### ADJUSTING RINSE AID DISPENSER

The rinse aid dispenser has four settings. It is recommended to start with the dispenser set at "3". If spots or poor drying occurs, increase the setting to "4". If there are sticky whitish stains on dishes or bluish film on glassware, reduce the setting to "2" or "1".



# Wash Cycle Table

**NOTE:** (★) = Rinse-Aid required

Program	Cycle Selection Information	Description of Cycle	Detergent pre/main	Running time(min)	Energy (Kwh)	Water (l)	Rinse Aid
Heavy	For the heaviest soiled loads, such as pots, pans, casserole dishes and dishes that have been sitting with dried food on them for a while.	Pre-wash Pre-wash (122°F) Wash (131°F) Wash (122°F) Rinse Rinse (154°F) Drying	18g	100	0.47	14.5	★
Normal	For normally soiled loads, such as pots, plates, glasses and lightly soiled pans. standard daily cycle.	Pre-wash Pre-wash Wash (125°F) Rinse Rinse (149°F) Drying	18g	110	0.38	10.8	★
Light	For lightly soiled loads, such as plates, glasses, bowls and lightly soiled pans.	Pre-wash Pre-wash (122°F) Wash (122°F) Rinse Rinse (140°F) Drying	18g	75	0.32	12	★
Mini Party	For lightly soiled loads, such as glasses, crystal and fine china.	Pre-wash Wash(113°F) Rinse Rinse (122°F) Drying	15 g.	20	0.22	7	★
Rinse	For non-greasy dishes that just need to be rinsed	Pre-wash Main-wash	/	24	0.02	5	
Speed	A shorter wash for lightly soiled loads that do not need drying.	Pre-wash Pre-wash (122°F) Wash (122°F) Rinse Rinse(131°F)	15 g.	45	0.29	12	★

## Starting A Wash Cycle

Once the dishwasher is loaded, follow these instructions to start the wash cycle:

1. Ensure the dishwasher is properly connected to power supply.
2. Ensure the water supply is properly connected and is turned on to full pressure.
4. Add detergent and check Rinse Aid is full.
5. Close the door and press the POWER button to turn on the dishwasher.
6. Press the PROGRAM button to select desired program: Normal -> Light -> Mini Party -> Rinse -> Speed -> Heavy
7. Press the START/PAUSE button to begin the wash cycle.

NOTE: When the START/PAUSE button is pressed during a wash cycle, unit's operation is suspended and program indicator will stop blinking. During the pause, the unit will beep once every minute until the START/PAUSE button is pressed again to resumes operation.

## **Changing the Wash Program**

You can change the wash program if the unit just started and only ran for a short time. Otherwise, detergent may have been released and water drained. If this is the case, the detergent dispenser must be refilled.

Press and hold the START/PAUSE button for three seconds or more and unit will be in stand-by state. The program can be changed at this point.

NOTE: If you open the door during a wash cycle, the unit will be paused. After door is closed, you need to press the START/PAUSE button to resume operation.

WARNING: opening the door during wash cycle may result in injury from hot water.

Note the following indications of the dishwasher:

- All lights off = Stand by mode
- Display is on steady (not blinking) = Unit is paused
- Display is blinking = Operating

## **Forgot to Add a Dish?**

Dish can be added any time before detergent is released:

1. Press the START/PAUSE button
2. Open the door slightly to stop the cycle
3. After the spray arm has stopped spinning, open the door fully
4. Add the forgotten dishes
5. Close the door
6. Press the START/PAUSE button and unit will resume operation after 10 seconds

## **At the End of the Wash Cycle**

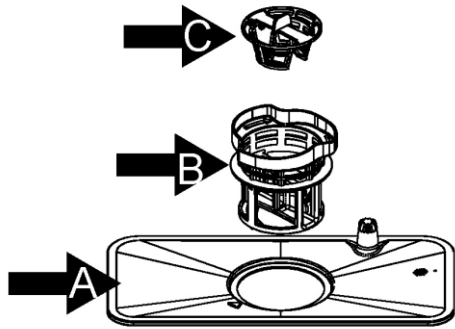
When wash cycle has finished, the dishwasher will buzz for 8 seconds.

1. Turn off the unit by pressing the POWER button
2. Shut off water supply and open the door.
3. Leave the door ajar and wait a few minutes before unloading. This will allow the dishes to cool and assist in the drying process. Dishes that are still hot are more susceptible to breakage.
4. Unload the dishwasher. It is normal for the dishwasher to be wet inside.

# MAINTENANCE

## Filter System

The filter system consists of a Coarse Filter, a Fine Filter and a Main Filter. The filter system prevents large remnants of food or other objects from getting inside the pump.



### C. Coarse Filter

Larger items, such as pieces of bone or glass, that could block the drain are trapped in the coarse filter. To remove items caught by this filter, gently squeeze the tap on the top of the filter and lift out.

### B. Fine Filter

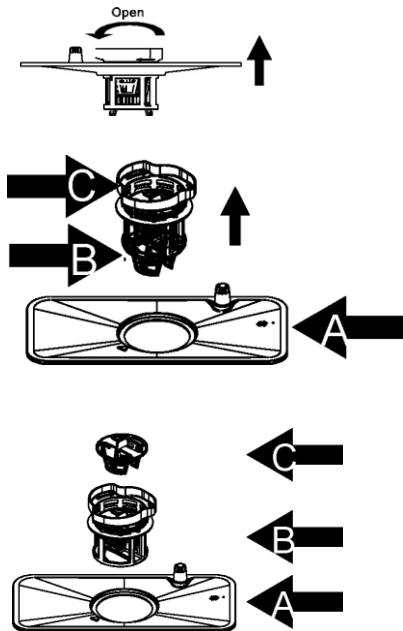
This filter holds soil and food residue in the cylindrical base and prevents it from being redeposited on the dishes.

### A. Main Filter

Food and soil particles trapped by this filter are pulverized by a special jet on the spray arm and washed down the drain.

## Filter Assembly

The filter efficiently removes food particles so the wash water can be recycled during a wash cycle. For best performance and results, the filter assembly must be cleaned regularly. It is recommended to remove the larger food particles trapped in the filter after each use by rinsing the filter assembly under running water.



To remove filter assembly:

1. Turn the Filter assembly counter-clockwise and lift to remove entire assembly.
2. Lift B and C upwards to remove from A.
3. Lift C upward to remove from B.

Reassemble in reverse order - make sure the Fine Filter is properly seated.

### WARNING!

- Inspect the filters after each use.
- Never run the dishwasher without filter assembly in place.
- Improper placement of the filter or damaged filter may reduce the unit's performance and may cause damage to dishes and/or utensils.
- The entire filter assembly should be cleaned at least one a week.

## Cleaning the Filters

Use a soft cleaning brush or old toothbrush to clean the Coarse and Fine Filters. When cleaning the filters, don't knock or bang them to remove residues, this could contort the filters and reduce performance of the dishwasher.



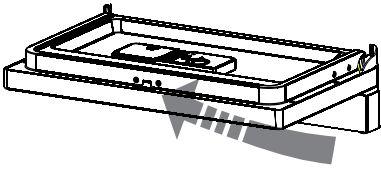
## Cleaning the Dishwasher

The control panel can be cleaned by using a slightly dampened cloth. Dry thoroughly with a soft towel.

The exterior can be wiped with a towel and mild detergent solution. Wipe clean and follow with a good appliance polish wax.

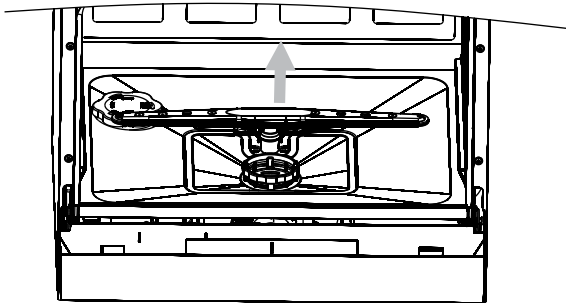
Never use sharp objects, scouring pads or harsh cleaners on any part of the dishwasher.

## Cleaning the Door



Use only a soft, damp cloth with warm water to clean the edge around the door. To avoid penetration of water into the door lock and electrical components, do not use spray cleaner of any kind.

## Cleaning the Spray Arm



The spray arm can be easily removed for periodic cleaning of the nozzles to prevent possible clogging. Remove the spray arm by grasping the middle and pull upwards. Wash the spray arm under running water and carefully reinstall making sure the rotary movement is in no way impeded.

**WARNING:** Abrasive agents and some paper towel may scratch or leave spots on the stainless steel surface.

## Protect Against Freezing

Please take frost protection measures during the winter months. Please follow these procedures after each wash:

1. Turn off the dishwasher.
2. Turn off water supply and disconnect water inlet hose from the back of the unit.
3. Drain water from the inlet hose and inlet port - use a pan to catch the water.
4. Reconnect the water inlet hose to inlet port.
5. Remove the Filter System and use a sponge to absorb the water in the sump.

**NOTE:** if your dishwasher cannot operate due to ice, please contact professional service.

# **Keeping Your Dishwasher in Shape**

## **After Every Wash**

Turn off the water supply and leave the door slightly open so moisture and odors are not trapped inside

## **No Solvents or Abrasive Cleaners**

Never use abrasive cleaners or solvents to clean the dishwasher. Only use a dampened soft towel with warm water. To remove spots or stains on the interior surface, you may use a cloth dampened with water and a little white vinegar.

## **Clean the Door Seals**

Food that gets trapped in the seals may cause odors to form. Periodic cleaning with a damp sponge will prevent this from occurring.

## **Clean Filters Regularly**

Clean the filters regularly to prevent clogs and odors.

## **Moving the Dishwasher**


If the dishwasher must be moved, try to keep it in the upright position. Never position the dishwasher on its side or upside down.

## **Preparation for Storage**

It is recommended you run a wash cycle with the dishwasher empty. Disconnect from power and turn off the water supply. Remove any water remaining in the sump area with a sponge. Leave the door slightly open. This will help the door seals to last longer and prevent odors from forming inside the dishwasher.

# TROUBLESHOOTING

Review the troubleshooting guide below to resolve common issues:

ISSUE	POSSIBLE CAUSE	WHAT TO DO
 Dishwasher does not start	Fuse is blown or circuit breaker is tripped	Replace fuse or reset circuit breaker. Remove any other appliances sharing the same circuit
	Power supply is not turned on	Make sure dishwasher is turned on and door is closed securely. Make sure the power is properly connected
	Dishwasher door is not properly closed	Close the door and make sure the door latches
Water not pumped from dishwasher	Kink in drain hose	Check drain hose
	Filter clogged	Check and clean filters
	Kitchen sink clogged	Ensure kitchen sink is draining well. Contact a plumber if sink is not draining
Suds in tub	Improper detergent	Use only specified detergent for dishwasher use. If improper detergent was used, open the dishwasher and allow suds to evaporate. Add 1 gallon of cold water to the tub. close door and start the RINSE cycle to drain water. Repeat if necessary.
	Spilled rinse-aid	Always clean up rinse-aid spills immediately.
Stained tub interior	Detergent used contains colorant	Do not use any detergents with colorants.
White film on dishwasher interior surface	Hard water minerals	Clean the interior with a damp sponge and dishwasher detergent and wear rubber gloves. Never use any other cleaner for risk of foaming or suds.
Rust stains appear on cutlery	Items are not non-corrosive	Do not place non-dishwasher safe items in the dishwasher.
Knocking noise inside the dishwasher	Spray arm is knocking against an item in the basket	Pause the wash cycle and rearrange items which are obstructing the spray arm.
Rattling noise inside the dishwasher	Items are not securely placed in dish rack	Pause the wash cycle to rearrange and secure items.
Knocking noise in water pipes	This may be caused by on-site installation or the cross-section of the piping	Contact a plumber. This is not related to the dishwasher.

ISSUE	POSSIBLE CAUSE	WHAT TO DO
Dishes are not cleaned	Dishes were not properly loaded	Reload dishes properly.
	Selected wash cycle was not powerful enough	Select a more intensive wash cycle.
	Not enough detergent	Use more or change brand of detergent.
	Items are blocking the path of the spray arm	Rearrange items so the spray arm can fully rotate.
	The filters are dirty/clogged or installed incorrectly	Clean the filter and/or check installation.
Cloudiness on glassware	Combination of too much detergent with soft water	Use less detergent and/or select the shortest wash cycle to clean glassware.
	The filters may be dirty or clogged	Clean filters and/or check installation.
Black or gray marks on dishes	Utensils may have rubbed against dishes	Use a mild abrasive cleaner to eliminate marks. Load more carefully.
Detergent left in dispenser cup	Dishes blocked the detergent cup	Re-load dishes properly.
Dishes are not dry	Improper loading	Re-load dishes properly.
	Not enough rinse-aid	Refill the rinse aid.
	Dishes were removed too soon	Do not remove dishes from the dishwasher immediately after wash.
	Wrong cycle selected	Short cycles have lower cleaning performance. Choose a more intensive cycle.
	Dishes/cutlery have low-quality coating	Water drainage is more difficult with these items. Dishes/cutlery of this type are not suitable in this dishwasher.

## Error Indications

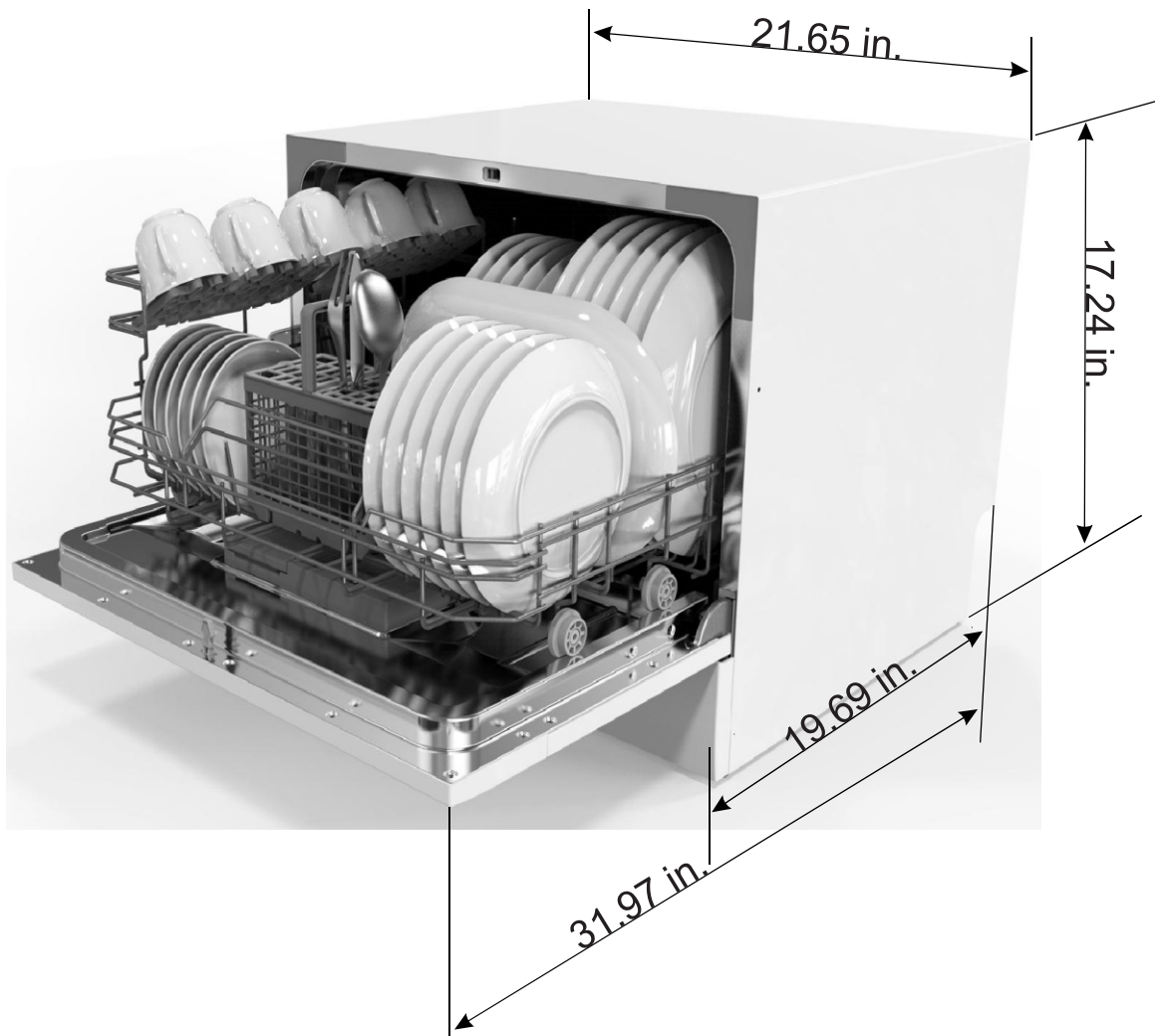
INDICATION	MEANINGS	POSSIBLE CAUSES
SPEED program light flickers	Restricted water inlet	Water supply is not turned on or restricted; or water pressure too low
MINI PARTY program light flickers	Overflow	Some element of dishwasher leaks.

### **WARNING!**

If overflow occurs, turn off the main water supply before calling for service.

If there is water in the base pan due to an overflow or small leak, the water should be removed before restarting the dishwasher.

## Technical Information



Number of place settings	6
Maximum diameter of dishware	10.5 inches
Cycles	7
Unit dimension	21.65W x 19.69D x 17.24H
Water pressure	0.04-1.0MPa
Power supply	see rating label
Noise level	55dB



## **Your Guarantee**

If this product is found to be faulty as a result of faulty materials or workmanship within one year from date of purchase, it will be repaired free of charge.

This guarantee is subject to the following terms:

- Sunpentown must be notified of the fault.
- Proof of purchase must be presented to Sunpentown's nominated representative.
- The warranty will be void if the product is modified, misused or repaired by an unauthorized person.
- The warranty after repair will not be extended beyond the original one-year period.
- All replacement parts will be new or reconditioned.
- Parts, which are replaced, become the property of Sunpentown.
- The warranty applies for the use of the product in the USA only.

What is NOT COVERED:

- Warranty does not include freight charges.
- Damage due to installation error, product abuse and/or misuse.
- Incidental or consequential damage caused by possible defects with this product.
- Labor cost incurred for the installation and/or removal of a possible defective unit.
- Damage to product caused by improper power supply voltage, accident, fire, floods or acts of nature.
- Failure of product resulting from unauthorized modifications to the product.
- Improper installation or failure to perform the necessary maintenance.
- Normal wear and tear on parts or replacement of parts designed to be replaced.
- Damage to personal property from use of product.
- Replacement or repair of household fuses, circuit breakers, wiring or plumbing.

This GUARANTEE is in addition to your Statutory Rights

SUNPENTOWN INTERNATIONAL INC.  
14625 Clark Ave. City of Industry, CA 91745  
Tel: 800-330-0388  
service@sunpentown.com  
www.sunpentown.com