

VISSANI

30 inch glass canopy wall mount
range hood

Model #: WG1276



Table of Contents

Table of Contents	2
Safety Information	2
Warranty	4
Pre-installation	5
Installation	8
Operation	11
Maintenance.....	12
Care and Cleaning.....	14
Troubleshooting	15
Wiring Diagram.....	16

Safety Information

GENERAL SAFETY INFORMATION

1. Use this unit only in the manner intended. If you have any questions, contact the distributor or importer.
2. Please carefully read this guide before installing or using this product. Save this guide for the local electrical inspector's use.
3. This range hood has a thermally protected system for the motor, which will shut down automatically if the motor is overheated. If the overheat protection trips, disconnect the power and wait for 15 minutes for the motor to cool down.

INSTALLATION SAFETY INFORMATION

1. The installation instructions in this manual are intended for qualified installers, service technicians, and others with a technical or electrical background. Never attempt to install this appliance yourself.
2. Your installation must comply with all applicable local codes and standards.
3. Grounding instructions:
This appliance must be grounded. In the event of an electrical short circuit, grounding reduces the risk of electric shock by providing an escape wire for the electric current. This appliance is equipped with a cord having a grounding wire with a grounding plug. The plug must be plugged into an outlet that is properly installed and grounded. Consult a qualified electrician if the grounding instructions are not completely understood, or if doubt exists as to whether the appliance is properly grounded. Do not use an extension cord. If the power supply cord is too short, have a qualified electrician install an outlet near the appliance.
4. Sufficient air is needed for proper combustion and exhausting of gases through the duct cover to prevent back drafting. Follow

the guidelines and safety standards, such as those published by the National Fire Protection Association (NFPA), the American Society for Heating, Refrigeration, and Air Conditioning Engineers (ASHRAE), and the local code authorities.

5. Old duct work should be cleaned or replaced if necessary. Check and properly tape all joints on duct work to ensure proper connections.



DANGER: Turn off the power circuit breaker or the power switch on the junction box before installing or servicing this unit. Touching circuitry inside the range hood while it is energized will result in death or serious injury.



DANGER: All electrical wiring must be properly installed, insulated, and grounded. Improper insulation and grounding will result in deadly electrical shock.



DANGER: If installing this unit over a gas range, turn off the gas at the source before installing or serving this unit.



WARNING: Attempting to install or service this unit when you do not have the necessary technical or electrical background could result in personal injury.



WARNING: The unit has sharp edges. Always wear safety gloves during installation, cleaning, or servicing.



WARNING: Improper grounding can result in an electric shock.



WARNING: Always leave safety grills and filters in place. Without these components, operating fans could catch on to hair, fingers, or loose clothing.



CAUTION: For the stainless hoods, please carefully remove the plastic protective film from the surface of the hood prior to installation.

Safety Information (continued)

GENERAL SAFETY INFORMATION

1. Ducted fans should always be vented to the outdoors. Never vent exhaust air into spaces within walls or ceilings, attics, crawl spaces, or garages.
2. When cutting or drilling into the wall or ceiling, do not damage electrical wiring or other hidden utilities.

COOKING SAFETY INFORMATION

1. Use this unit only in the manner intended by the manufacturer. If you have questions, contact the manufacturer at the address or telephone number listed in the warranty.
2. Before servicing or cleaning unit, switch power off at service panel and lock the service disconnecting means to prevent power from being switched on accidentally. When the service disconnecting means cannot be locked, securely fasten a prominent warning device, such as a tag, to the service panel.
3. Installation work and electrical wiring must be done by a qualified person(s) in accordance with all applicable codes and standards, including fire-rated construction.
4. Sufficient air is needed for proper combustion and exhausting of gases through the flue (chimney) of fuel burning equipment to prevent backdrafting. Follow the heating equipment manufacturer's guidelines and safety standards such as those published by the National Fire Protection Association (NFPA) and the American Society for Heating, Refrigeration and Air Conditioning Engineers (ASHRAE) and the local code authorities.
5. Conditioning Engineers (ASHRAE) and the local code authorities.
6. When cutting or drilling into wall or ceiling, do not damage electrical wiring and other hidden utilities.
7. Ducted fans must always be vented to the outdoors. This unit must be grounded.

CLEANING SAFETY INFORMATION

1. The fan and filters must be cleaned periodically and kept free from accumulation of cooking residue. Old and worn filters must be replaced immediately.
2. Never disassemble parts to clean. Parts should be disassembled by qualified persons only.



WARNING: To reduce the risk of fire, use only metal duct work. Never use plastic duct work.



WARNING: Stay clear of the rotating fan when the motor is running.



WARNING: Keep this appliance clean and free of grease and residue build-up at all times to prevent fires.



CAUTION: For general ventilation use only. Do not use the range hood fans to exhaust hazardous or explosive vapors.



CAUTION: Never dispose of cigarette ashes, ignitable substances, or any foreign objects in fans.

Warranty

This range hood is warranted to the original purchaser to be free of defects in material and workmanship for one (1) year from the date of purchase.

Our obligation shall be limited to the repair or replacement of a unit (at our discretion) that may prove, by our sole examination, to be defective under normal use and service during the warranty period. We may issue credit in the amount of the invoice value of the defective product (or a percentage of it according to use) in lieu of repair or replacement. Any failure of this product that is not traceable to a defect in material or workmanship is not covered by this warranty. These non-warrantable items include, but are not limited to:

- Change in color or finish due to chemical usage
- Improper installation not in accordance with the instructions
- Dents, bumps, and scratches incurred during shipping, handling, or installation
- Damage caused by failure to follow care and cleaning guidelines, including damage caused by the use of abrasive cleaners
- Alterations made to the unit by the purchaser or installer
- Damage caused by accidental impact, fire, flood, freezing, and normal wear
- Bends and warping caused by forced connections, over-tightened fittings, and inadequate support during installation

A thorough inspection must be made before installation and any damage must be promptly reported. We will not be liable for failures or damage that could have been discovered or avoided by proper inspection and testing prior to installation.

Incidental repairs that would involve a minimum of time and effort on behalf of the purchaser will not be considered warranty work and no compensation will be deemed forthcoming.

This warranty is non-transferable and shall be voided if the unit is removed from its initial installation or if it is not installed following the instructions.

Under no circumstance shall we be held liable for personal injury or property damage resulting from improper installation or use of this product. We will not be held liable for inconvenience caused by loss of use of this product, costs incurred for labour or materials, removal and installation of replacement units, or any other incidental or consequential damages. Costs relating to obtaining access for repair or replacement are the responsibility of the user.

This warranty does not extend to commercial and institutional installation or use.

WARRANTY CLAIM PROCEDURE

If a claimable defect occurs, please contact our customer service team at 1-888-511-3013

Before you make your claim call, please ensure that you have:

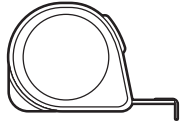
- Description of the range hood
- Proof of sale
- Details regarding the defect
- Name(s) and address(es) of the owner and installer

Claims must be filled out in writing and returned within six (6) months of the appearance of a defect. Failure to comply with this stipulation will make this warranty null and void. We reserve the right to a thirty-day (30) delay following the receipt of a claim in which to inspect the product. We assume no responsibility for labor costs, removing or replacing a previously installed product, transportation, or the return of a product.

Pre-installation

TOOLS REQUIRED

HARDWARE EXAMPLE



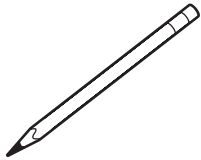
Measuring tape



Level



Utility knife



Pencil



Tape



Adjustable wrench



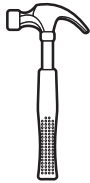
Phillips screwdriver



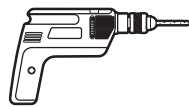
Flathead screwdriver



Needle nose pliers



Hammer



Electric drill

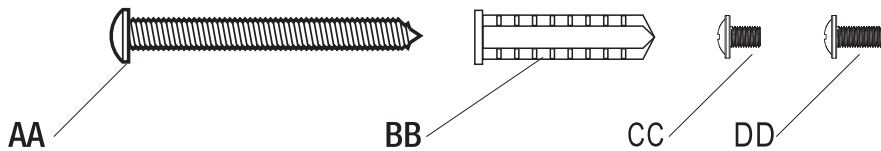


Safety goggles



Safety gloves

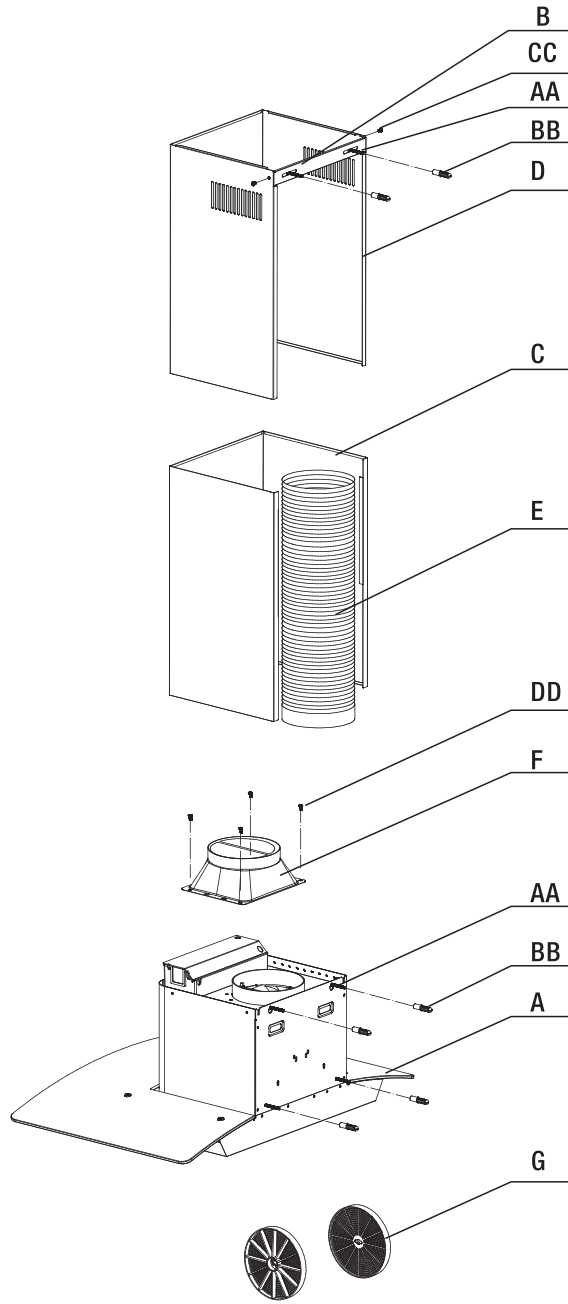
 **NOTE:** Hardware not shown to actual size.



Part	Description	Quantity
AA	Hood body mounting screws	6
BB	Drywall anchor	6
CC	Outlet adapter fix screws	4
DD	Chimney mounting bracket screws	2

Pre-installation (continued)

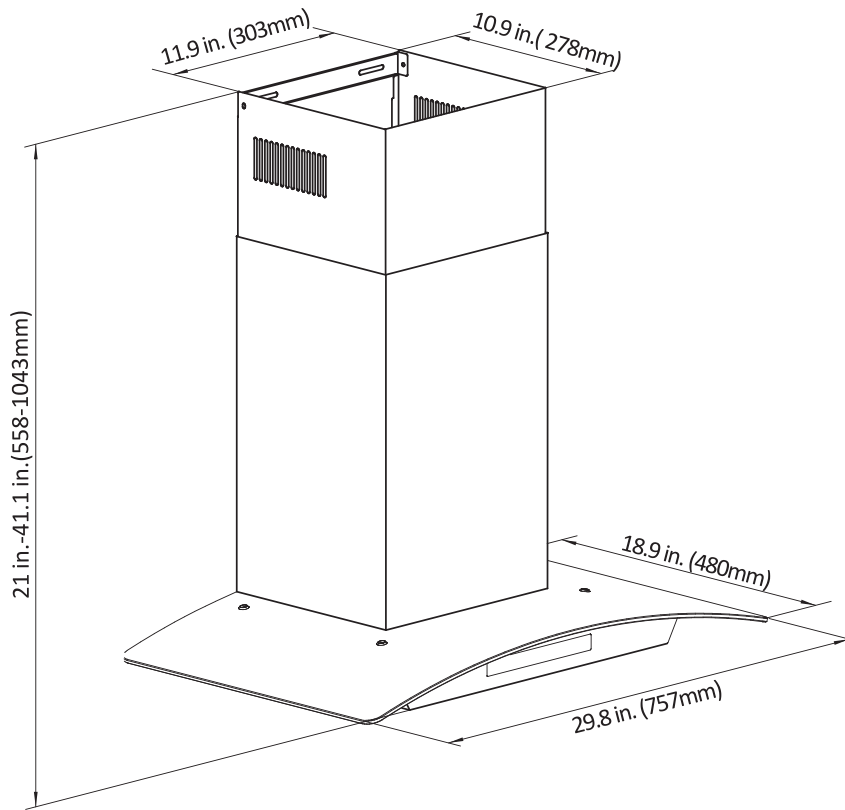
PACKAGE CONTENTS



Part	Description	Quantity
A	Range hood (including filters and lamps)	1
B	Chimney bracket	1
C	Bottom chimney	1
D	Top chimney	1
E	Diameter 6 inch flexible duct(Length max 59 inch)	1
F	Outlet adapter	1
G	Charcoal filters	2

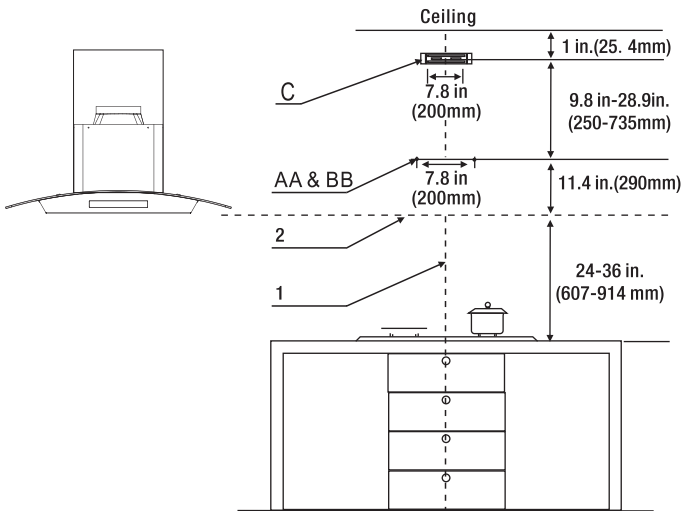
SPECIFICATIONS

Dimensions	Volts	Hertz	Fan CFM	Speeds	Light Wattage	Stainless Steel Grade
29.8 in.(757 mm) W	120	60	400±10% MAX	High	3	430
18.9 in.(480 mm) D				Medium		
21 in.-41.1 in.(558-1043mm) H				Low		



1 DRILLING THE PILOT HOLES

1. Mark a vertical center line (1) on the supporting wall up to the ceiling, or as high as practical, at the center of the area where the hood will be installed.
2. Mark a horizontal line (2) above the range at the preferred distance between 24 to 36 inches (607-762 mm). Consult the user manual of your range if so required.
3. Position chimney mounting bracket (C) on the wall as shown about 1 inch (25.4 mm) from the ceiling.



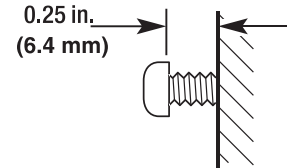
2 MOUNTING THE HOOD



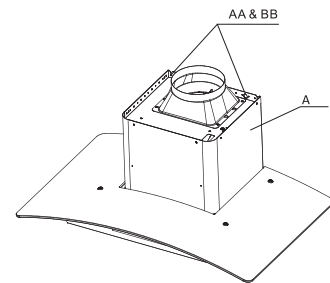
Warning: For drywall or plaster walls, mounting screws must be secured to wooden wall studs or a support structure directly (without supplied anchors) or using fastening hardware appropriate for your wall type.

- Due to the size and weight of this range hood, the supports must be firmly attached to the wall. For drywall or plaster walls, range hood must be attached to a wooden wall stud. If this is not possible, a support structure must be built behind the plaster or drywall (preferred).

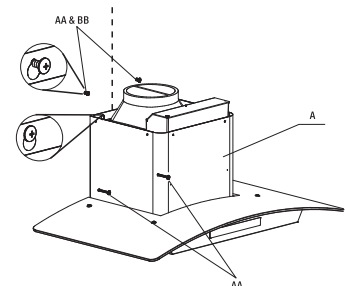
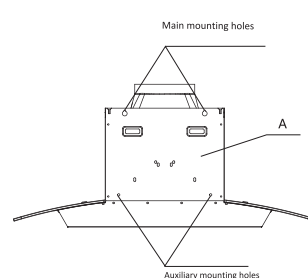
1. Using a 3/8 in (9mm) drill bit, enlarge the pilot holes and insert the plastic wall anchors (BB) into the wall along the line that is 11.4 inch (290mm) above the horizontal line (2). Insert screws and leave a 0.25 inch (6.4mm) gap between the wall and the back of the screw head to slide the range hood into place. Ensure the screws and anchors (AA and BB) are parallel with the horizontal line (2).



2. Hook the hood body (A) onto the screws (AA and BB) mounted onto the wall and securely tighten the screws (AA and BB) to secure the hood body (A) on the wall.



3. Install two additional hood body mounting screws (AA) into the auxiliary mounting holes to secure the hood body (A) in place.



Installation (continued)

3 CONNECT VENT SYSTEM

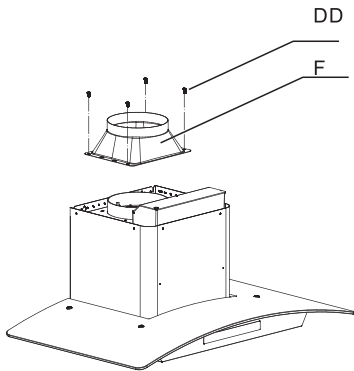
FOR VENTED INSTALLATIONS ONLY



CAUTION: To reduce the risk of fire, use metal ductwork only. (6 inch flexible duct is included.)

1. OUTLET ADAPTER ASSEMBLY

- Fix the outlet adapter on the top of the hood by 4 screws (CC)
- Ensure the two flappers of the damper assembly operating properly.

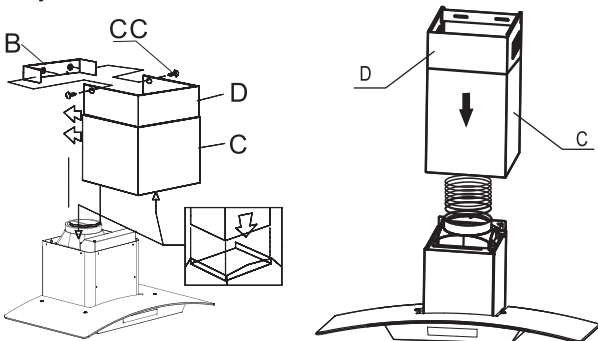


- Attach an adequate length of 6 inch flexible duct (included) on the top of the outlet adapter. The max length of flexible duct is 59 inch.
- Secure the duct. Check and properly tape all joints on the duct work to ensure proper connections.

2. TELESCOPIC CHIMNEY ASSEMBLY

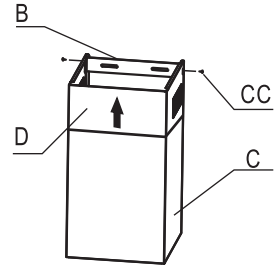
Chimney Bottom:

- Carefully slide the bottom chimney (C) down outside the top chimney (D), and then carefully place the bottom chimney (C) into the recessed area of the hood body top.
- Optionally fix the bottom chimney (C) with the three chimney bottom screws (DD) supplied from inside of hood body.

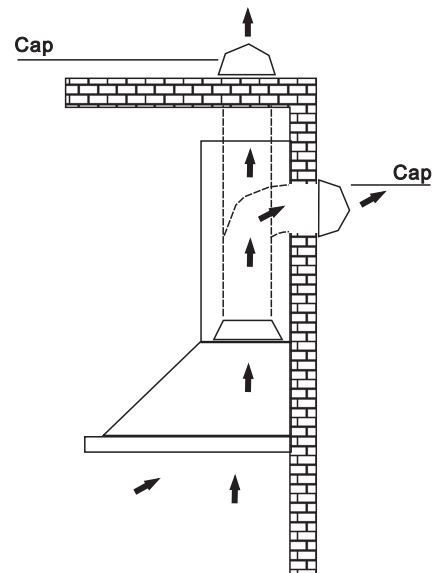


Chimney Top:

- Raise the top chimney (D) up inside the bottom chimney (C). Secure the top chimney (D) to the chimney mounting bracket (B) that is securely attached on the wall with the two chimney bracket screws (CC) supplied from two sides.



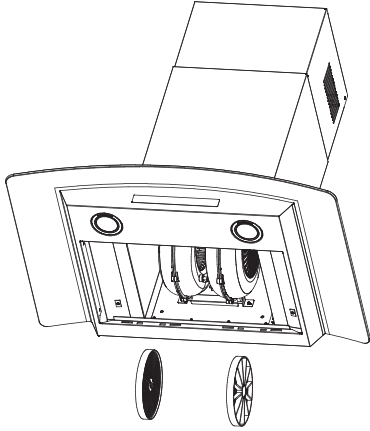
1. Decide where the duct (included) will run between the hood and the outside.
2. A straight, short duct run will allow the hood to perform most efficiently.
3. Long duct runs, elbows, and transitions will reduce the performance of the hood. Use as few of them as possible. Larger ducting may be required for best performance with longer duct runs.
4. Attach an adequate length of 6 inch flexible duct to the air outlet adapter.
5. The air must not be discharged into a flue that is used for exhausting fumes from appliances burning gas or other fuels. Regulations concerning the discharge of air have to be fulfilled.
6. Install a roof/wall cap. Connect round metal ductwork to cap and work back towards hood location. Use duct tape to seal the joints between ductwork sections. (The roof/wall cap should be sourced locally).



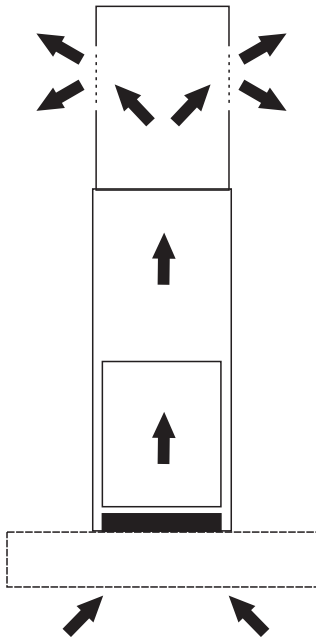
Installation (continued)

FOR NON-VENTED INSTALLATION ONLY

1. Install the charcoal filters (included).



2. Please note that the air will flow out from the two grids on the two sides of the chimney top.



ELECTRICAL CONNECTION



WARNING: If the supply cord is damaged, it must be replaced by the service agent or similarly qualified persons in order to avoid a hazard.

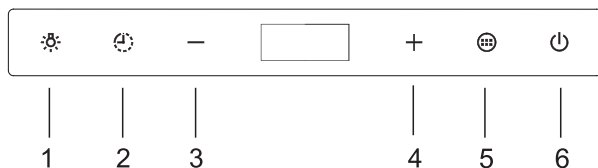


WARNING: Do not use the plug and an extension cord other than the ones initially supplied with the hood.



WARNING: The ground connection of this hood is compulsory. Do not remove ground prong of the plug.

OPERATION OF CONTROLS



- 1 - Lamp
- 2 - Timer
- 3 - Minus
- 4 - Plus
- 5 - Fan
- 6 - Power/Standby

How to set the clock:

When the range hood is plugged in, it is on Standby Mode, press Timer button, the range hood will enter the time setting. Press the Plus to set hours and press the Minus to set the minutes. After 10 seconds, the clock will be automatically saved and disappear. Press Timer button and hold for 3 second, it will show the clock. Press Timer button and hold for 3 second again, the clock will disappear on Standby Mode. The clock is in 12 H.

How to control the light:

Press Lamp button, the lights are on, press Lamp button again, the lights are off. The lights can be controlled on Standby Mode and Power Mode.

How to control the fan:

The range hood is on Standby Mode when plugged in. Press the Power button to enter power mode, Timer, Minus, Clock, Plus, Fan and Power button will be illuminated. If no operation in 10 seconds, the buttons will light off and go back to Standby Mode. Press Lamp button, the Lamp button will be illuminated and lights are on. Press again, lights will be off.

On Power mode, press the Minus button one time and the range hood will start at F1 speed. If the button is pressed again, the speed will stay the same.

On Power mode, press the Plus button one time, the range hood will start at F2 speed. If the Plus button is pressed again, the speed will go to F3. After 30 seconds, the F3 will disappear and show the clock. To lower or increase the fan speed, press the Plus or Minus buttons.

When the fan is working, the clock will show the fan speed selected. F1 for low, F2 for medium, and F3 for high.

When fan is in the Power mode, press the Fan button to reach maximum speed immediately. Press this button while on a low speed, it will automatically go to the maximum speed. Press the Fan button again will turn the fan off.

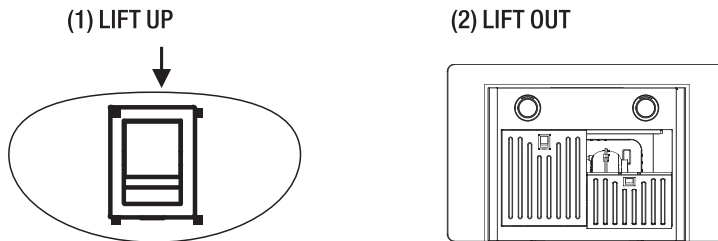
How to set the Timer:

When the fan is operating, press the timer button. The hood will be on timer mode and the clock will show 03:00. Press Minus and Plus button to set the timer, maximum 60 minutes. (Set only in minutes, and the countdown will be in minutes and seconds)

When range hood is on, press the Power once and the shut off timer will set to 60 seconds. Press the button twice and the fan will be turned off immediately.

BAFFLE FILTERS

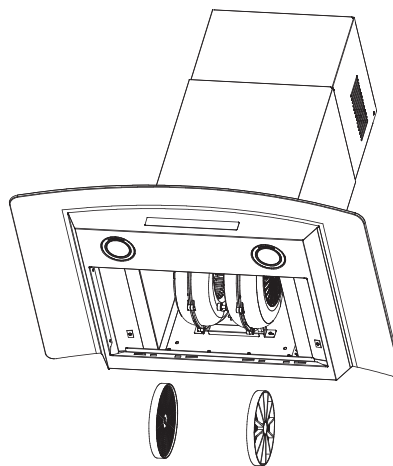
- The baffle filters should be cleaned frequently (every two months of operation, or more frequently for heavy use). Use a warm detergent solution.
- Baffle filters are dishwasher safe.



1. Remove the baffle filters by lifting up the latch. This will disengage the filters from the hood. Tilt the filter lift out and remove.
2. Wash the filters, taking care not to bend them. Allow them to be dry before replacing.
3. When replacing the filters, make sure that the latch is visible from the outside.

NON-DUCTED RECIRCULATION CHARCOAL FILTERS (INCLUDED)

- This charcoal filters (included) is not washable, cannot be regenerated, and should be replaced approximately every 3 months of operation, or more frequently in the case of heavy usage.
1. Remove the baffle filters.
 2. The charcoal filters (included) must be applied to the suction unit inside the hood, centering them inside of it and turning them 90° until they snap into place.
 3. Put the baffle filters back in place.



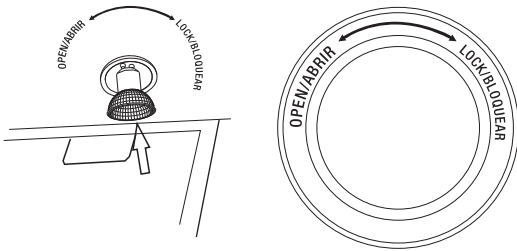
Maintenance (continued)

LIGHTING



WARNING: Always switch off the electrical supply before carrying out any operation on the appliance.

- This range hood requires two LED lamps (120V, GU10, 3W).
- To change LED lamps:
 1. Switch off power and wait for 5 minutes until the bulbs cool down.
 2. Remove the bulb by pulling sideways.



CAUTION: The surface of the LED lamps may be hot. Take care when doing the replacement.

“Please note that changes or modifications of this product is not expressly approved by the party responsible for compliance could void the user's authority to operate the equipment.”

NOTE: This equipment has been tested and found to comply with the limits for a Class B digital device, pursuant to Part 15 of the FCC Rules. These limits are designed to provide reasonable protection against harmful interference in a residential installation. This equipment generates, uses and can radiate radio frequency energy and, if not installed and used in accordance with the instructions, may cause harmful interference to radio communications. However, there is no guarantee that interference will not occur in a particular installation. If this equipment does cause harmful interference to radio or television reception, which can be determined by turning the equipment off and on, the user is encouraged to try to correct the interference by one or more of the following measures:

- Reorient or relocate the receiving antenna.
- Increase the separation between the equipment and receiver.
- Connect the equipment into an outlet on a circuit different from that to which the receiver is connected.
- Consult the dealer or an experienced radio/TV technician for help.

Care and Cleaning



WARNING: Failure to maintain basic standards of care and cleaning of the range hood will increase the risk of fire.

The range hood should be cleaned regularly internally and externally to preserve its appearance and performance.

Do

- Clean the range hood periodically with hot, soapy water and a clean cotton cloth.
- Always clean in the direction of original polish lines.
- Always rinse well with clean water two or three times after cleaning. Wipe completely dry with a soft, non-abrasive cloth.
- After cleaning, you may polish with a non-abrasive stainless steel polish or cleaner. Always rub lightly and with the grain.
- Ensure that the venting system is free of debris, if you have one.

Do Not

- Do not use corrosive or abrasive detergents, or any products containing chloride, fluoride, iodide, or bromide on this product, as they will deteriorate the surface rapidly.
- Do not allow cleaning compounds, salt solutions, disinfectants, or bleaches to remain in contact with the product for extended periods of time.
- Do not allow deposits to remain for long periods of time on the range hood. Rinse with water immediately and wipe dry with a clean cloth.
- Do not leave the range hood dirty for long periods of time or allow dirt to accumulate.
- Do not let plaster dust or any other construction residue enter the hood. During construction or renovation, cover the hood.
- Combustible products used for cleaning, such as acetone, alcohol, ether, or benzyl, are highly explosive and should never be used close to a range or stove.

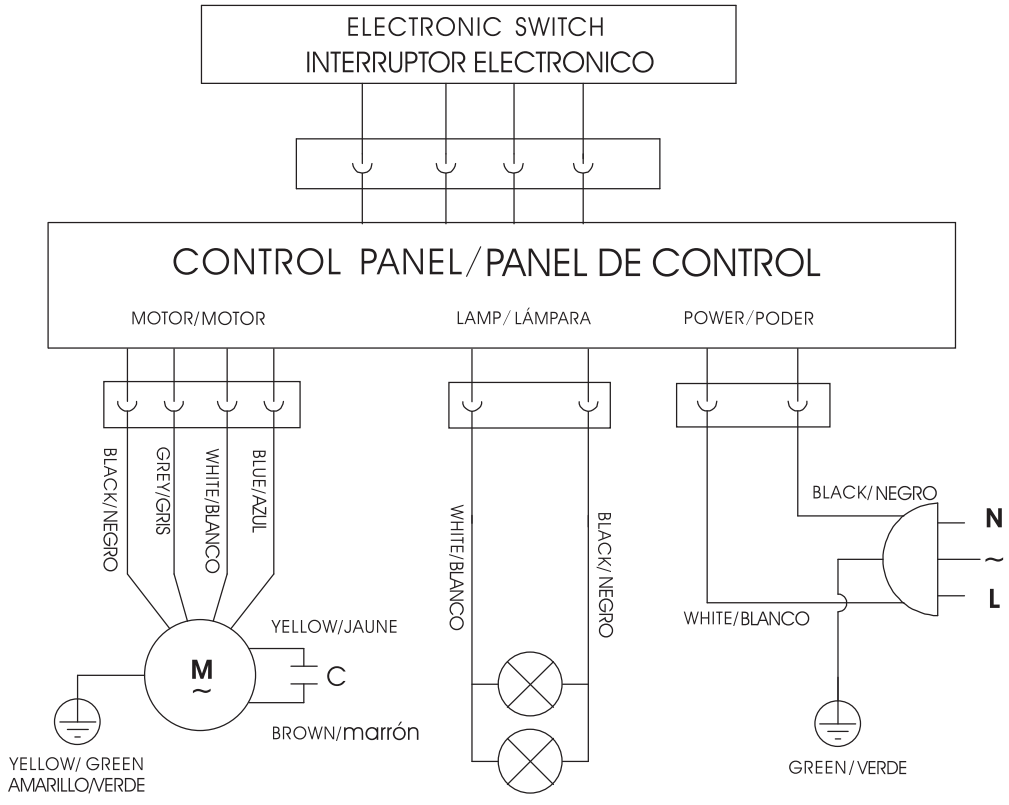
Troubleshooting



DANGER: Turn off the power circuit breaker or the power switch on the junction box before installing or servicing this unit. Touching circuitry inside the range hood while it is energized will result in death or serious injury.

Problem	Solution
The range hood will not operate.	<ul style="list-style-type: none"> <input type="checkbox"/> Check that the power supply cable and all electrical wiring are properly connected. <input type="checkbox"/> Check that the power is turned on at the junction box or circuit breaker. <input type="checkbox"/> Check that the wiring between the switch board and the control board are connected properly.
The range hood vibrates when the fan is operating.	<ul style="list-style-type: none"> <input type="checkbox"/> Check that the range hood has been secured properly to the wall or cabinet. Tighten it into position, if necessary. <input type="checkbox"/> Check that the motor is secured in place. If not, then tighten the motor in place. <input type="checkbox"/> Check that the fan is not damaged. If so, replace the fan.
The fans seem weak.	<ul style="list-style-type: none"> <input type="checkbox"/> Check that the duct size used is at least 6 in.(152mm). The range hood will not function efficiently with insufficient duct size. <input type="checkbox"/> Check that the duct is not clogged with debris and the tight mesh on the wall cap, if applicable, isn't restricting air flow. <input type="checkbox"/> Check that the damper unit is opening properly, if applicable.
The lights work, but the fan is not spinning, is stuck, or is rattling.	<ul style="list-style-type: none"> <input type="checkbox"/> The lights work, but the fan is not spinning, is stuck, or is rattling. <input type="checkbox"/> Check that the fan isn't jammed or scraping the bottom. <input type="checkbox"/> If nothing else works, the motor may be defective or seized. If so, replace the motor.
The range hood is not venting properly.	<ul style="list-style-type: none"> <input type="checkbox"/> Check that the distance between the cook top and the bottom of the range hood is min. at 24 in. <input type="checkbox"/> Check that duct work follows all requirements. Use metal duct work with a uniform diameter of 6 in.(152mm). Reduce the length of duct work and the number of elbows if necessary. Ensure that all joints are properly connected, sealed, and taped. <input type="checkbox"/> Check that the duct does not open against the wind. <input type="checkbox"/> Ensure that the power is on high speed for heavy cooking. <input type="checkbox"/> Wind from opened windows or doors may affect the performance of the range hood. Close windows and doors to eliminate outside air flow.
A light does not work.	<ul style="list-style-type: none"> <input type="checkbox"/> Check the light bulb to see if it is loose. If so, tighten. <input type="checkbox"/> Remove the problem bulb and insert one you know is working. If the properly functioning light does not come on, the problem may be the light assembly. Have the light assembly serviced or replaced.

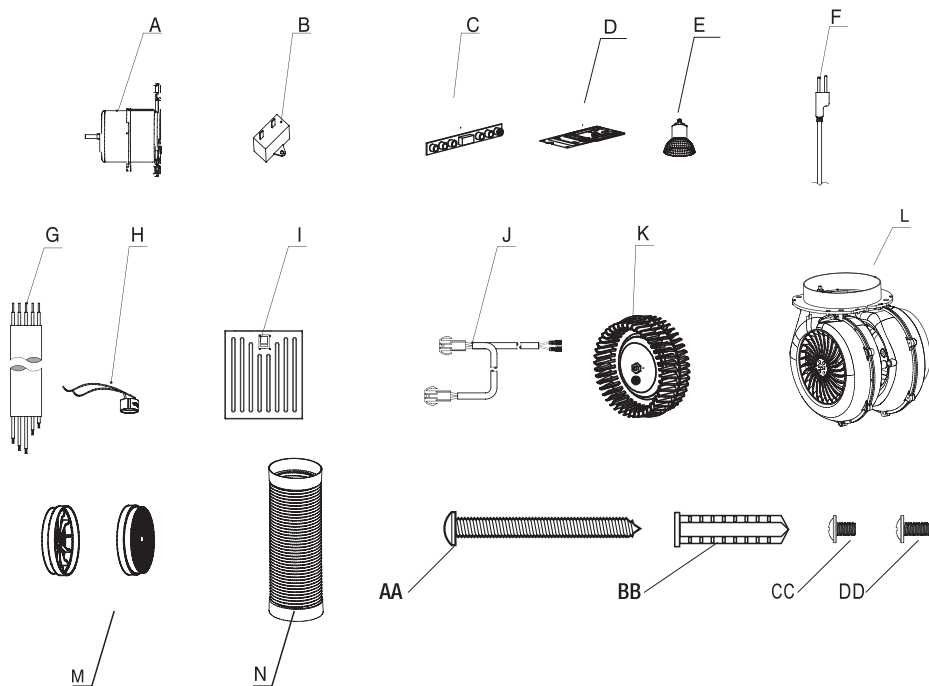
WIRING DIAGRAM/DIAGRAMA DE ALAMBRE



Service Parts

If you are missing parts or if you require replacement parts, please contact our customer service team at 1-888-511-3013

Identify the required part(s) and have the part number(s) ready.



Part	Description	Quantity
A	Motor	1
B	Capacitor	1
C	Control panel	1
D	PCB	1
E	3W GU10 LED	2
F	Power cord	1
G	Switch wire	1
H	Light base	2
I	Baffle filters	2
J	Light wire	1
K	Fan	1
L	Blower	1
M	Charcoal filters	2
N	Diameter 6 inch flexible duct (Length max 59 inch)	1
AA	Hood body mounting screws	6
BB	Drywall anchor	6
CC	Outlet adapter fix screws	4
DD	Chimney mounting bracket screws	2

VISSANI

Questions, problems, missing parts?
Before returning to the store, call Vissani Customer Service

1-888-511-3013

HOMEDEPOT.COM

Retain this manual for future use.

VISSANI

Campana de cocina de vidrio de 30 pulgadas,
Con montaje de pared

Model #: WG1276



Tabla de Contenidos

Información de Seguridad.....	1
Garantía.....	3
Preinstalación.....	4
Instalación.....	7
Operación.....	11
Mantenimiento.....	12
Cuidado y Limpieza.....	14
Resolución de Problemas.....	15
Diagrama de Cableado.....	16

Información de Seguridad

INFORMACIÓN GENERAL DE SEGURIDAD

1. Utilice esta unidad únicamente de la manera prevista. Si tiene alguna pregunta, contacte al distribuidor o importador.
2. Lea atentamente esta guía antes de instalar o utilizar este producto. Guarde esta guía para uso del inspector local de electricidad.
3. Esta campana tiene un sistema de protección térmico para el motor, que se apagará automáticamente si el motor se sobrecalienta. Si la protección contra el sobrecalentamiento se activa, desconecte la campana de la alimentación y espere 15 minutos para que el motor se enfríe.

INFORMACIÓN DE SEGURIDAD PARA LA INSTALACIÓN

1. Las instrucciones de instalación en este manual están dirigidas a instaladores cualificados, técnicos de servicio y otras personas con conocimientos técnicos o eléctricos. Nunca intente instalar este aparato por sí mismo.
2. Su instalación debe cumplir con toda la normativa local vigente.
3. Instrucciones de puesta a tierra: este aparato debe estar conectado a tierra. En caso de cortocircuito eléctrico, la conexión a tierra reduce el riesgo de descarga eléctrica proporcionando un cable de escape para la corriente eléctrica. Este aparato está equipado con un cable de alimentación que contiene un cable de puesta a tierra con una toma de tierra. El enchufe debe estar enchufado y el tomacorriente debidamente instalado y puesto a tierra. Consulte a un electricista cualificado si las instrucciones de puesta a tierra no se entienden

completamente, o si existe alguna duda de si el aparato está correctamente conectado a tierra. No use un cable de extensión si el cable de alimentación es demasiado corto. Haga que un electricista cualificado instale y tome un tomacorriente cerca del aparato.

4. Se necesita aire suficiente para una combustión y escape de gases adecuados a través de la cubierta del conducto para evitar el backdraft (explosión de gases de humo con efecto reverso). Es recomendable seguir directrices y normas de seguridad como las publicadas por la National Fire Protection Association (NFPA), la Sociedad Americana de Ingenieros de Calefacción, Refrigeración y Aire Acondicionado (ASHRAE) y las autoridades locales.
5. Los conductos usados deben limpiarse o reemplazarse si es necesario. Revise y pegue con cinta adhesiva todas las uniones en los conductos para asegurar las conexiones.



PELIGRO: apague el interruptor de alimentación en la caja de conexiones antes de instalar o utilizar este aparato. Tocar los circuitos dentro de la campana mientras está conectada podrá resultar en muerte o lesiones graves.



PELIGRO: todo el cableado eléctrico debe estar instalado, aislado y conectado a tierra correctamente. Un aislamiento y una conexión a tierra inadecuados podrán dar como resultado una descarga eléctrica mortal.



PELIGRO: Si instala este aparato cerca de una fuente de gas, apáguela antes de instalarlo.



ADVERTENCIA: intentar instalar o reparar este aparato sin contar con conocimientos técnicos o eléctricos puede ocasionar lesiones.

Información de seguridad (continuación)



ADVERTENCIA: el aparato tiene bordes afilados. Siempre use guantes de seguridad durante su instalación, limpieza o manipulación.



Advertencia: una conexión a tierra inadecuada puede provocar una descarga eléctrica.



ADVERTENCIA: Siempre deje las rejillas de seguridad y los filtros en su lugar. Sin estos componentes, los ventiladores en funcionamiento podrían engancharse al cabello, los dedos o la ropa suelta.



PRECAUCIÓN: Para las cubiertas de acero inoxidable, retire con cuidado el plástico protector de la superficie de la cubierta antes de su instalación.

INFORMACIÓN GENERAL DE SEGURIDAD

1. Los ventiladores siempre deben expulsar el aire al exterior. Nunca expulse el aire hacia espacios interiores, techos, áticos o garajes.
2. Cuando corte o taladre en la pared o el techo, no dañe el cableado eléctrico u otros servicios ocultos.

INFORMACIÓN DE SEGURIDAD DE COCCIÓN

1. Use este aparato solo conforme a las instrucciones del fabricante. Si tiene alguna pregunta, comuníquese con el fabricante a través de la dirección o número de teléfono que figuran en la garantía.
2. Antes de reparar o limpiar el aparato, desconéctelo de la corriente y bloquee los medios de conexión del servicio para evitar que se encienda accidentalmente. Cuando los medios de conexión del servicio no se pueden bloquear, ponga de forma segura un dispositivo de advertencia llamativo, como una etiqueta, en el panel de servicio.
3. El trabajo de instalación y el cableado eléctrico deben ser realizados por una persona o personas calificadas de acuerdo con todos los códigos y normas vigentes, incluida la construcción con clasificación anti-incendios.

4. Se necesita aire suficiente para una correcta combustión y escape de gases a través de la chimenea de los equipos que queman combustible para evitar el backdraft (explosión de gases de humo con efecto reverso). Siga las pautas y normas de seguridad del fabricante del equipo de calefacción, como las publicadas por la National Fire Protection Association (NFPA), la Sociedad Americana de Ingenieros de Calefacción, Refrigeración y Aire Acondicionado (ASHRAE) y las autoridades locales.
5. Cuando corte o taladre en la pared o el techo, no dañe el cableado eléctrico ni otros servicios ocultos.
6. Los ventiladores deben dirigirse siempre al exterior.
7. Esta unidad debe estar conectada a tierra.

INFORMACIÓN DE LIMPIEZA SEGURA

1. El ventilador y los filtros deben limpiarse periódicamente y evitar la acumulación de residuos de comida. Los filtros viejos y desgastados deben ser reemplazados inmediatamente.
2. Nunca desmonte las piezas por sí mismo. Las piezas deben ser desmontadas solo por personal cualificado.



ADVERTENCIA: Para reducir el riesgo de incendio, utilice únicamente conductos de metal. Nunca use conductos de plástico.



ADVERTENCIA: Manténgase alejado del ventilador giratorio cuando el motor esté funcionando.



ADVERTENCIA: Mantenga este aparato limpio y libre de grasa y acumulación de residuos en todo momento para evitar incendios.



PRECAUCIÓN: Sólo para uso con ventilación general. No utilice los ventiladores de la campana extractora para extraer vapores peligrosos o explosivos.



PRECAUCIÓN: Nunca eche ceniza de cigarrillos, sustancias inflamables o cualquier objeto extraño en los ventiladores.

Garantía

Esta campana de cocina tiene garantía que cubre defectos en el material y la mano de obra durante un (1) año desde la fecha de compra. Nuestra obligación se limitará a la reparación o reemplazo de un aparato (a nuestra discreción) que se demuestre, según nuestras propias pruebas, ser defectuoso en el uso y servicio normales durante el período de garantía. Podemos emitir crédito correspondiente al valor de la factura del producto defectuoso (o un porcentaje del mismo según el uso) en lugar de la reparación o el reemplazo. No se cubre cualquier defecto de este producto que no se deba a un defecto de material o mano de obra. Estos casos (no solo se limita a estos) en los que la garantía no tiene validez son los siguientes:

- Cambio de color debido al uso de químicos.
- Instalación incorrecta no conforme con las instrucciones.
- Abolladuras, golpes y rasguños incurridos durante el envío, manejo o instalación.
- Daños causados por el incumplimiento de las pautas de cuidado y limpieza, incluido el daño causado por el uso de limpiadores abrasivos.
- Alteraciones hechas al aparato por el comprador o instalador.
- Daños causados por impacto accidental, incendio, inundación, congelación y desgaste.
- Deformaciones causadas por conexiones forzadas, accesorios demasiado apretados y un soporte inadecuado durante la instalación

Se debe realizar una inspección minuciosa antes de la instalación y cualquier defecto debe informarse de inmediato. No seremos responsables por fallos o daños que pudieran haberse descubierto o evitado mediante una inspección adecuada antes de la instalación.

Las reparaciones fortuitas que implicaran un mínimo de tiempo y esfuerzo por parte del comprador no se considerarán como un trabajo de garantía y no se considerarán compensables.

Esta garantía no es transferible y se anulará si el aparato se retira de su instalación inicial o si no se instala siguiendo las instrucciones.

Bajo ninguna circunstancia seremos responsables por lesiones personales o daños a la propiedad que resulten de la instalación o uso incorrecto de este producto. No seremos responsables por los inconvenientes causados por la pérdida de uso de este producto, los costes incurridos por mano de obra o materiales, la desinstalación e instalación de aparatos de reemplazo o cualquier otro daño fortuito o consecuente. Los costes relacionados con obtener acceso para la reparación o reemplazo del aparato son responsabilidad del usuario. Esta garantía no se extiende a la instalación o uso comercial e institucional.

PROCEDIMIENTO DE RECLAMACIÓN DE GARANTÍA

Si ocurre un defecto reclamable, comuníquese con nuestro equipo de servicio al cliente a través del teléfono 1-888-511-3013

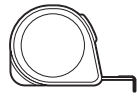
Antes de realizar su llamada de reclamo, asegúrese de tener:

- Descripción de la campana extractora.
- Prueba de la venta.
- Detalles sobre el defecto.
- Nombre (s) y dirección (es) del propietario e instalador.

Las reclamaciones deben completarse por escrito y entregarse durante los seis (6) meses posteriores a la aparición de un defecto. El incumplimiento de esta estipulación anulará la garantía. Nos reservamos el derecho a una demora de treinta (30) días después de recibir una reclamación para inspeccionar el producto. No asumimos ninguna responsabilidad por los costos de mano de obra, la eliminación o el reemplazo de un producto instalado anteriormente, el transporte o la devolución de un producto.

Preinstalación

HERRAMIENTAS REQUERIDAS



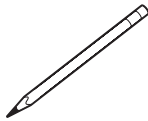
Cinta metrica



Nivel



Cuchillo de uso



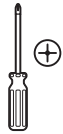
lapiz



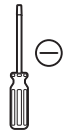
Cinta adhesiva



Liave ajustable



Destornillador phillips



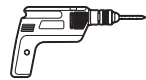
Destornillador de cabeza plana



Pinzas de punta de aguja



Martillo



Taladro electrico



Gafas de seguridad

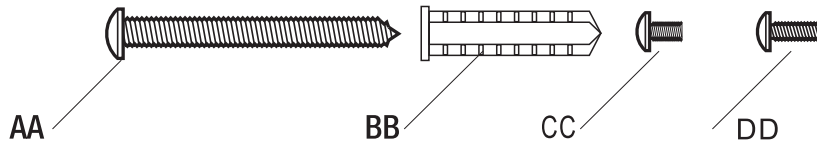


Guantes de seguridad

MATERIAL DE HARDWARE

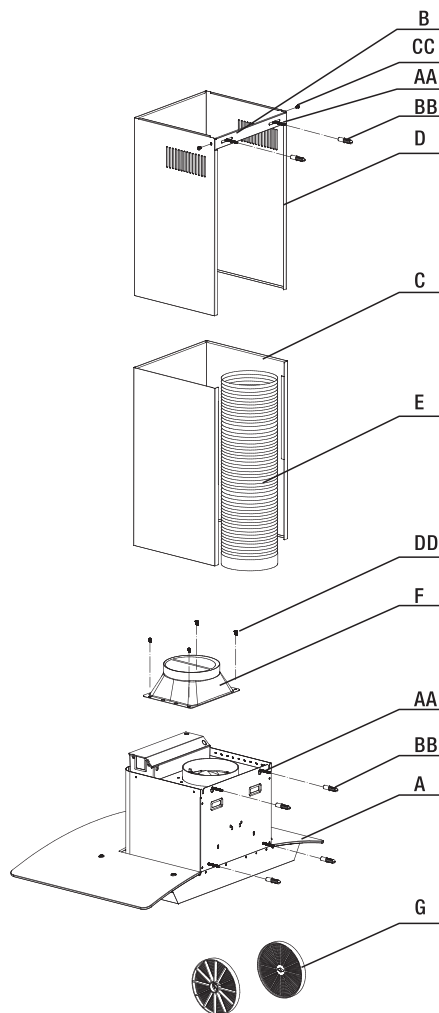


NOTA: El hardware no se muestra a tamaño real.



Parte	Descripción	Cantidad
AA	Tornillos de montaje del cuerpo de la campana	6
BB	Ancla de paneles de yeso	6
CC	Tornillos de fijación del adaptador de salida	4
DD	Tornillos de soporte de montaje de chimenea	2

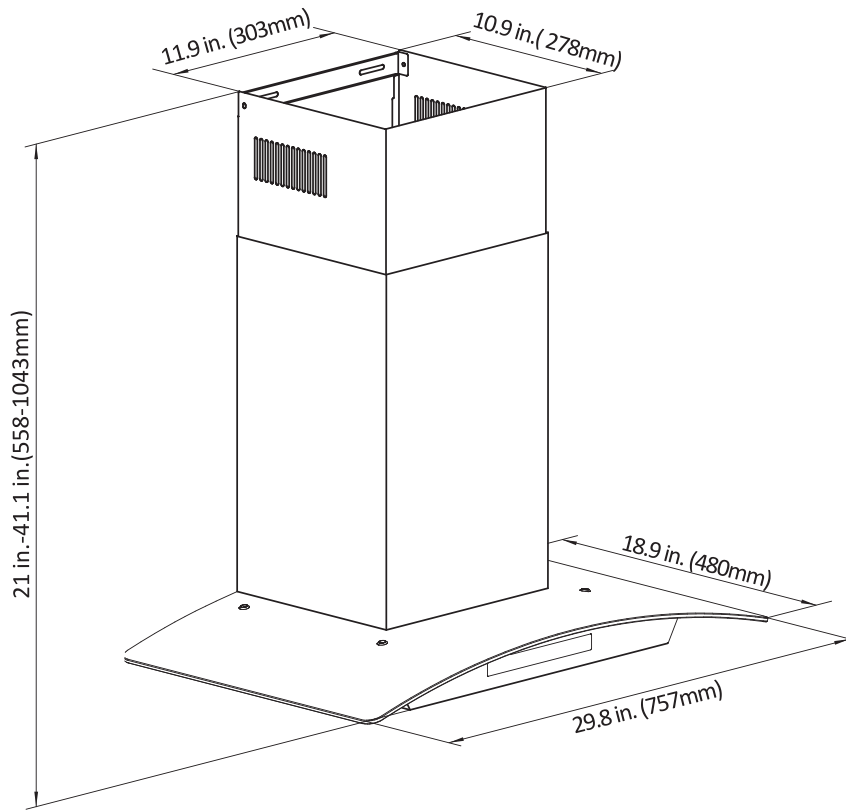
CONTENIDOS DEL PAQUETE



Parte	Descripción	Cantidad
A	Campana extractora (incluidos filtros y lámparas).	1
B	Soporte de chimenea	1
C	Chimenea de fondo	1
D	Chimenea superior	1
E	Diámetro de 6 pulgadas del conducto flexible (longitud máxima de 59 pulgadas)	1
F	Adaptador de salida	1
G	Filtros de carbón	2

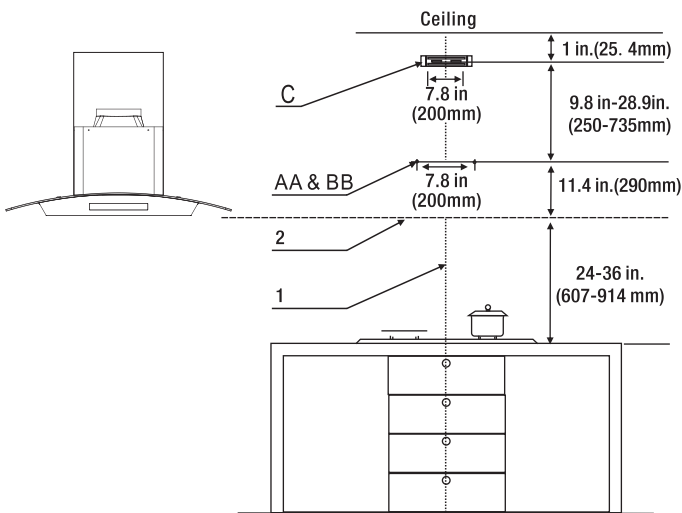
ESPECIFICACIONES

Dimensiones	Volt.	Hercios	Fan CFM	Velocidad	Potencia de luz	Grado de acero inoxidable
29.8 in.(757 mm) W	120	60	400±10% MAX	Alta	3	430
18.9 in.(480 mm) D				Media		
21 in.-41.1in.(558-1043mm) H				Baja		



1 PERFORACIÓN Y REVESTIMIENTO

1. Dibuje una línea central vertical (1) en la pared del soporte hasta el techo, o tan alto como sea práctico, en el centro del área donde se instalará el capó.
2. Dibuje una línea horizontal (2) por encima del rango a la distancia preferida entre 24 a 36 pulgadas (607-762 mm). Consulte el manual del usuario de su rango si es necesario.
3. Coloque el soporte de montaje de la chimenea (C) en la pared, como se muestra a aproximadamente 1 pulgada (25,4 mm) del techo.

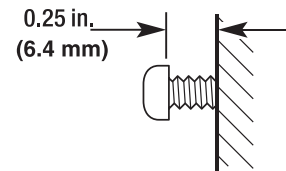


2 MONTAJE DE LA CAMPANA

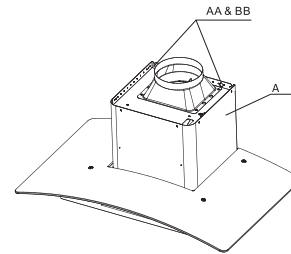


Warning: Para paredes de yeso o paredes de yeso, los tornillos de montaje deben fijarse a los montantes de madera de la pared o a una estructura de soporte directamente (sin los anclajes suministrados) o utilizando los herrajes de sujeción adecuados para su tipo de pared.

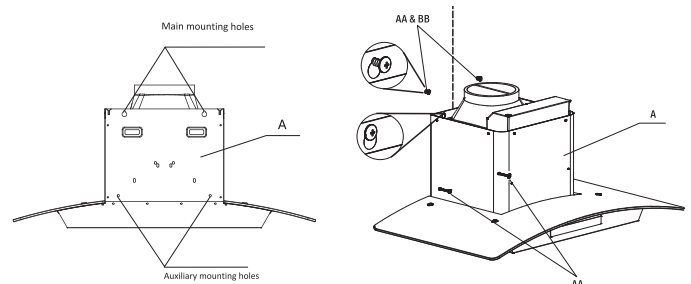
- Debido al tamaño y al peso de esta campana, los soportes deben estar firmemente sujetos a la pared. Para paredes de yeso o paredes de yeso, la campana debe estar sujeta a un perno de pared de madera. Si esto no es posible, se debe construir una estructura de soporte detrás del yeso o el panel de yeso (de preferencia).
1. Con una broca de 3/8 pulg. (9 mm), agrande los orificios guía e inserte los anclajes plásticos de pared (BB) en la pared a lo largo de la línea que está 11.4 pulgadas (290 mm) por encima de la línea horizontal (2). Inserte los tornillos y deje un espacio de 0,25 pulgadas (6,4 mm) entre la pared y la parte posterior de la cabeza del tornillo para deslizar la campana en su lugar. Asegúrese de que los tornillos y anclajes (AA y BB) estén paralelos a la línea horizontal (2).



2. Enganche el cuerpo de la cubierta (A) en los tornillos (AA & BB) montados en la pared y apriete firmemente los tornillos (AA & BB) para asegurar el cuerpo de la cubierta (A) en la pared.



3. Instale dos tornillos de montaje adicionales del cuerpo de la campana (AA) en los orificios de montaje auxiliares para asegurar el cuerpo de la campana (A) en su lugar.



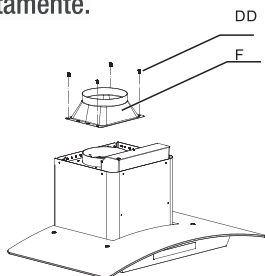
3 SISTEMA DE CONEXIÓN DE VENTILACIÓN. SOLO PARA INSTALACIONES VENTADAS.



PRECAUCIÓN: Para reducir el riesgo de incendio, utilice únicamente conductos metálicos. (Se incluye conducto flexible de 6 pulgadas.)

1. CONJUNTO DEL ADAPTADOR DE SALIDA

- Fije el adaptador de salida en la parte superior de la campana con 4 tornillos (CC)
- Asegúrese de que las dos aletas del conjunto de compuerta funcionen correctamente.

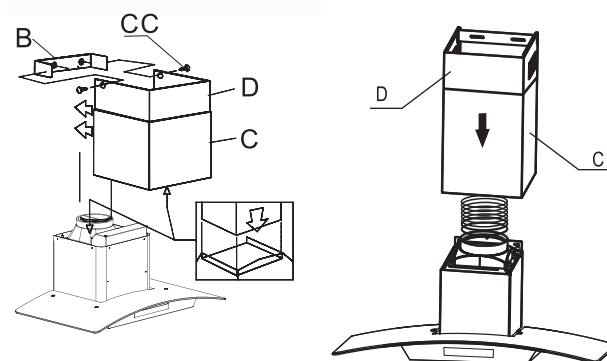


- Coloque una longitud adecuada de conducto flexible de 6 pulgadas (incluido) en la parte superior del adaptador de salida. La longitud máxima del conducto flexible es de 59 pulgadas.
- Asegure el conducto. Revise y pegue con cinta adhesiva todas las uniones en el conducto para garantizar que las conexiones sean correctas.

2. MONTAJE DE CHIMENEA TELESCÓPICA

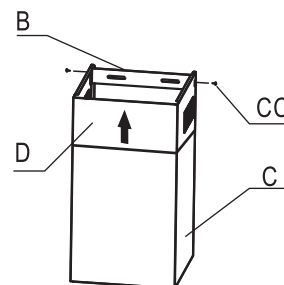
Parte inferior de la chimenea:

- Deslice cuidadosamente la chimenea inferior (C) hacia abajo fuera de la chimenea superior (D), y luego coloque con cuidado la chimenea inferior (C) en el área empotrada de la parte superior del cuerpo de la campana.
- Opcionalmente, fije la chimenea inferior (C) con los tres tornillos inferiores de la chimenea (DD) suministrados desde el interior del cuerpo de la cubierta.



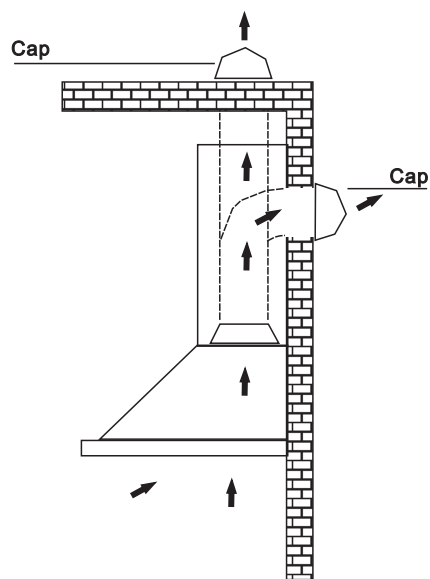
Parte superior de la chimenea:

- Levante la chimenea superior (D) hacia arriba dentro de la chimenea inferior (C). Fije la chimenea superior (D) al soporte de montaje de la chimenea (B) que está firmemente sujeto a la pared con los dos tornillos del soporte de la chimenea (CC) suministrados desde los dos lados.



Instalación (continuación)

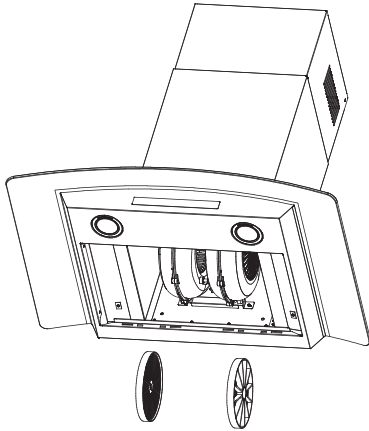
1. Decida dónde se colocará el conducto (no incluido) entre el capó y el exterior.
2. Un conducto recto y corto permitirá que la campana funcione de manera más eficiente.
3. Los conductos largos, las curvas y las transiciones reducirán el rendimiento del conducto. Use la menor cantidad posible de ellos. Es posible que se requieran conductos más anchos para un mejor rendimiento cuando los conductos son más largos.
4. Conecte un conducto redondo de aproximadamente 152 mm (6 pulg.) al adaptador de salida de aire.
5. El aire no debe extraerse en una chimenea que se utilice para extraer humos de otros aparatos que queman gas u otros combustibles. Se deben cumplir las normas relativas a la descarga de aires.
6. Instale una tapa de techo / pared. Conecte el conducto metálico redondo a la tapa y trabaje de nuevo hacia la ubicación de la campana. Use cinta adhesiva para sellar las juntas entre las secciones de conductos. (La tapa del techo / pared debe obtenerse en su zona).



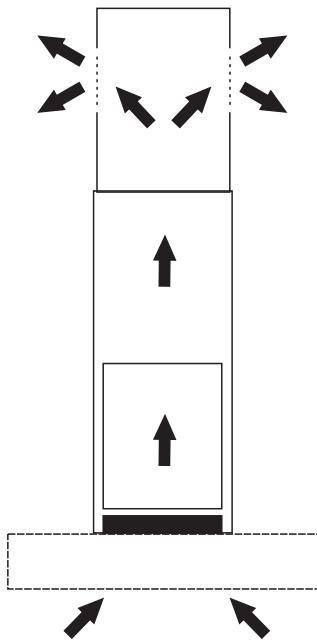
Instalación (continuación)

SOLO PARA INSTALACIONES NO VENTADAS

1. Instale el filtro de carbón (no incluido).



2. Tenga en cuenta que el aire saldrá de las dos rejillas en los dos lados de la parte superior de la chimenea.



CONEXIÓN ELÉCTRICA



ADVERTENCIA: Si el cable de suministro está dañado, debe ser reemplazado por un agente de servicio o por personas con cualificación similar para evitar el peligro.

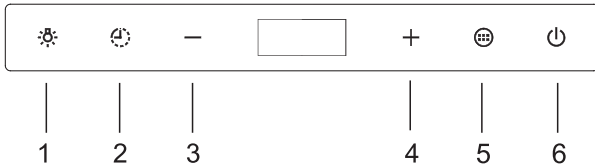


ADVERTENCIA: No use un enchufe ni un cable de extensión que no sean los suministrados inicialmente con la campana.



ADVERTENCIA: La conexión a tierra de esta campana es obligatoria. No quite la clavija de conexión a tierra del enchufe.

OPERACIÓN DE CONTROLES



1. Lámpara
2. Temporizador
3. Menos
4. Más
5. Ventilador
6. Encendido / En espera

Cómo configurar el reloj:

Cuando la campana extractora está enchufada, está en modo de espera, presione el botón Temporizador, la campana extractora entrará en el ajuste de tiempo. Presione el botón Más para ajustar las horas y presione la tecla Menos para configurar los minutos. Después de 10 segundos, el reloj se guardará y desaparecerá automáticamente. Presione el botón del temporizador y manténgalo presionado durante 3 segundos, se mostrará el reloj. Presione el botón del temporizador y manténgalo presionado durante 3 segundos nuevamente, el reloj desaparecerá en el modo de espera. El reloj está en 12 H.

Cómo controlar la luz:

Presione el botón Lámpara, las luces están encendidas, presione el botón Lámpara nuevamente, las luces están apagadas. Las luces se pueden controlar en modo de espera y modo de energía.

Cómo controlar el ventilador:

La campana extractora se encuentra en modo de espera cuando está enchufada. Presione el botón de Encendido para ingresar al modo de encendido, los botones Temporizador, Menos, Reloj, Más, Ventilador y Encendido se iluminarán. Si no se realiza ninguna operación en 10 segundos, los botones se apagarán y volverán al modo de espera. Presione el botón Lámpara, el botón Lámpara se iluminará y las luces se encenderán. Presione de nuevo, se apagará.

En el modo de energía, presione el botón Menos una vez y la campana se iniciará a la velocidad F1. Si se presiona nuevamente el botón, la velocidad se mantendrá igual.

En el modo de energía, presione el botón Más una vez, la campana extractora comenzará a velocidad F2.

Si se presiona nuevamente el botón Más, la velocidad irá a F3.

Después de 30 segundos, el F3 desaparecerá y mostrará el reloj. Para bajar o aumentar la velocidad del ventilador, presione los botones Más o Menos.

Cuando el ventilador está funcionando, el reloj mostrará la velocidad del ventilador seleccionada.

F1 para velocidad baja, F2 para media y F3 para alta.

Cuando el ventilador está en el modo Encendido, presione el botón Ventilador para alcanzar la velocidad máxima inmediatamente.

Presiona este botón mientras que funciona a una velocidad baja, irá automáticamente a la máxima velocidad.

Presione nuevamente el botón del ventilador para apagar el ventilador.

Cómo configurar el temporizador:

Cuando el ventilador está funcionando, presione el botón del temporizador.

La capucha estará en modo temporizador y el reloj mostrará las 03:00. presione el botón Menos y más para configurar el temporizador, máximo 60 minutos.

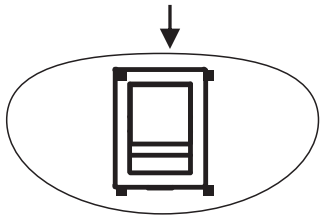
(Ajuste solo en minutos, y la cuenta regresiva será en minutos y segundos) .

Cuando la campana extractora está encendida, presione Encendido una vez y el temporizador de apagado se establecerá en 60 segundos. Presione el botón dos veces y el ventilador se apagará inmediatamente

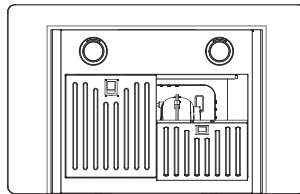
FILTROS DEL DEFLECTOR

- Los filtros de grasa deben limpiarse con frecuencia (cada dos meses de operación, o más frecuentemente en caso de un uso elevado). Use una solución de detergente caliente para limpiarlo.
- Los filtros deflectores son aptos para lavavajillas.

(1) Apretar



(2) Levantar

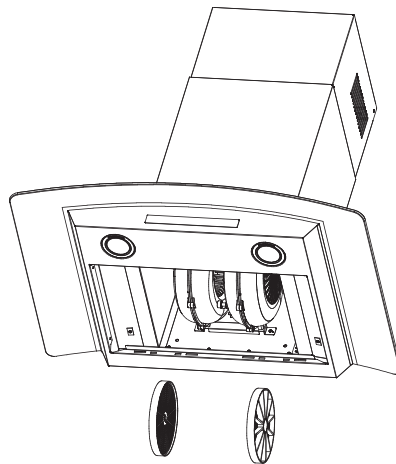


1. Retire los filtros deflectores presionando hacia abajo el pestillo. Esto desenganchará el filtro de la capucha. Incline el filtro hacia arriba y retírelo.
2. Lave los filtros, teniendo cuidado de no doblarlos. Deje que se sequen antes de volver a colocarlos.
3. Cuando vuelva a colocar los filtros, asegúrese de que el cierre sea visible desde el exterior.

RECIRCULACIÓN NO CANALIZADA DE FILTROS DE CARBONO (INCLUIDOS)

- Este filtro no es lavable, no puede regenerarse y debe reemplazarse aproximadamente cada 3 meses de operación, o más frecuentemente en el caso de un uso intenso.

1. Retire los filtros deflectores.
2. El filtro de carbón (incluido) se debe colocar en la unidad de succión de dentro de la campana, centrándolo dentro de ella y girándolo 90° hasta que encajen en su lugar.
3. Ponga los filtros deflectores en su lugar.



ILUMINACIÓN

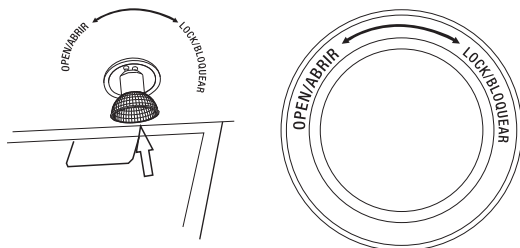


ADVERTENCIA: apague siempre el suministro eléctrico antes de realizar cualquier operación en el aparato.



PRECAUCIÓN: La superficie de las lámparas LED puede estar caliente. Tenga cuidado al hacer el reemplazo.

- Esta campana requiere dos lámparas LED (120V, GU10, 3W).
- Para cambiar las lámparas LED:
 1. Desconecte la alimentación y espere 5 minutos hasta que las bombillas se enfríen.
 2. Use guantes y retire la bombilla tirando de los lados.



Tenga en cuenta que los cambios o modificaciones de este producto no están expresamente aprobados por la parte responsable del cumplimiento y puede anular la autoridad del usuario para operar el equipo.

Este equipo ha sido probado y cumple con las características de un dispositivo digital de Clase B, de conformidad con la Parte 15 de las Normas de la FCC. Estos parámetros están diseñados para proporcionar una protección razonable contra interferencias perjudiciales en una instalación residencial.

Este equipo genera, utiliza y puede emitir energía de radiofrecuencia y, si no se instala y utiliza de acuerdo con las instrucciones, puede causar interferencias perjudiciales en las comunicaciones de radio. Aún así, no está garantizado que no se produzcan interferencias en una instalación en particular.

Si este equipo causa interferencias perjudiciales en la recepción de radio o televisión, lo cual puede determinarse encendiendo y apagando el equipo, se recomienda al usuario que intente corregir la interferencia mediante una o más de las siguientes medidas:

- Reorientar o reubicar la antena receptora.
- Aumente la separación entre el equipo y el receptor.
- Conecte el equipo a una toma de corriente en un circuito diferente al que está conectado el receptor.
- Consulte al distribuidor o a un técnico de radio / TV con experiencia para conseguir ayuda.

Cuidado y Limpieza



ADVERTENCIA: Si no se mantienen los estándares básicos de cuidado y limpieza de la campana, aumentará el riesgo de incendio.

La campana extractora debe limpiarse regularmente interna y externamente para preservar su apariencia y rendimiento.

Debe

- Limpie la campana de extracción periódicamente con agua caliente y jabón y un paño de algodón limpio.
- Limpie siempre en la dirección de las líneas de pulido originales.
- Siempre enjuague bien con agua limpia dos o tres veces después de limpiar. Seque completamente con un paño suave y no abrasivo.
- Después de la limpieza, puede pulir con un limpiador o pulidor de acero inoxidable no abrasivo. Siempre frote ligeramente.
- Asegúrese de que el sistema de ventilación (si tiene) esté libre de residuos.

No Debe

- No use sobre la campana detergentes corrosivos o abrasivos, ni productos que contengan cloruro, fluoruro, yoduro o bromuro, ya que deteriorarán la superficie rápidamente.
- No permita que los compuestos de limpieza, las soluciones salinas, los desinfectantes o los blanqueadores permanezcan en contacto con el producto durante períodos prolongados.
- No permita que los depósitos permanezcan por largos períodos de tiempo en la campana extractora. Enjuague con agua inmediatamente y seque con un paño limpio.
- No deje la campana extractora sucia durante largos períodos de tiempo ni permita que se acumule suciedad.
- No permita que el polvo de yeso o cualquier otro residuo de la construcción entre en la campana. Durante construcción o renovación, cubrir el capó de la campana.
- Los productos combustibles utilizados para la limpieza, como la acetona, el alcohol, el éter o el bencilo, son altamente explosivos y nunca deben usarse cerca de una estufa o cocina.

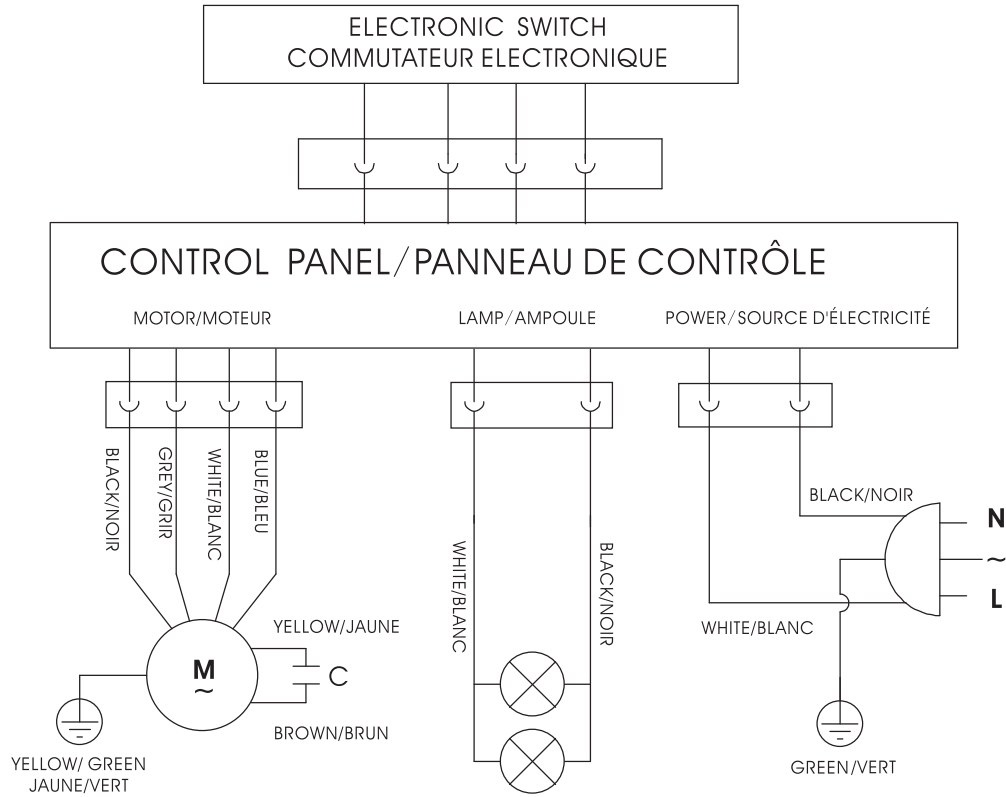
Solución de problemas



PELIGRO: apague el disyuntor o el interruptor de alimentación en la caja de conexiones antes de instalar o manipular este aparato. Tocar los circuitos dentro de la campana de la cocina mientras está energizada dará como resultado la muerte o lesiones graves.

Problema	Solución
La campana no funciona.	<ul style="list-style-type: none"> <input type="checkbox"/> Compruebe que el cable de alimentación y todo el cableado eléctrico están conectados correctamente. <input type="checkbox"/> Compruebe que la alimentación está encendida en la caja de conexiones o el disyuntor.
	<ul style="list-style-type: none"> <input type="checkbox"/> Compruebe que el cableado entre la placa del interruptor y la placa de control están conectados correctamente.
La campana de cocina vibra cuando el ventilador está funcionando.	<ul style="list-style-type: none"> <input type="checkbox"/> Compruebe que la campana se haya asegurado correctamente a la pared. Apriétela, si es necesario. <input type="checkbox"/> Verifique que el motor está anclado en su lugar. Si no, apriete el motor en su lugar. Compruebe que el ventilador no esté dañado. Si es así, reemplace el ventilador.
Los ventiladores parecen funcionar débilmente.	<ul style="list-style-type: none"> <input type="checkbox"/> Compruebe que el tamaño del conducto utilizado sea de al menos 152 mm (6 pulg.). La campana no funcionará eficientemente con un tamaño de conducto insuficiente. <input type="checkbox"/> Verifique que el conducto no esté obstruido con residuos y que la malla apretada en la tapa de la pared, si corresponde, no esté restringiendo el flujo de aire. Verifique que la unidad de amortiguación se abra correctamente, si corresponde.
Las luces funcionan, pero el ventilador no está girando, está atascado o está sonando.	<ul style="list-style-type: none"> <input type="checkbox"/> Compruebe que el ventilador no esté atascado o raspando la parte inferior. Si nada más funciona, el motor puede estar defectuoso. Si es así, reemplace el motor.
La campana no se está ventilando adecuadamente.	<ul style="list-style-type: none"> <input type="checkbox"/> Verifique que la distancia entre la parte superior de la cocina y la parte inferior de la campana extractora sea al menos 24 in. <input type="checkbox"/> Verifique que los conductos cumplan con todos los requisitos. Use un conducto de metal con un diámetro uniforme de 150 mm (6 pulg.). Reduzca la longitud del conducto y el número de codos si es necesario. Asegúrese de que todas las juntas estén bien conectadas y selladas. <input type="checkbox"/> Compruebe que el conducto no se abre contra el viento. <input type="checkbox"/> Asegúrese de que la potencia esté en alta velocidad para cocina intensa. El viento de las ventanas o puertas abiertas puede afectar el rendimiento de la campana. Cierre las ventanas y puertas para eliminar el flujo de aire exterior.
Una luz no funciona.	<ul style="list-style-type: none"> <input type="checkbox"/> Revise la bombilla para ver si está suelta. Si es así, apriete. Retire la bombilla problemática e inserte una que sepa que está funcionando. Si la bombilla funciona correctamente, pero no se enciende en la campana, el problema puede ser el ensamblaje de la luz. Haga reparar o reemplazar el ensamblaje de la luz.

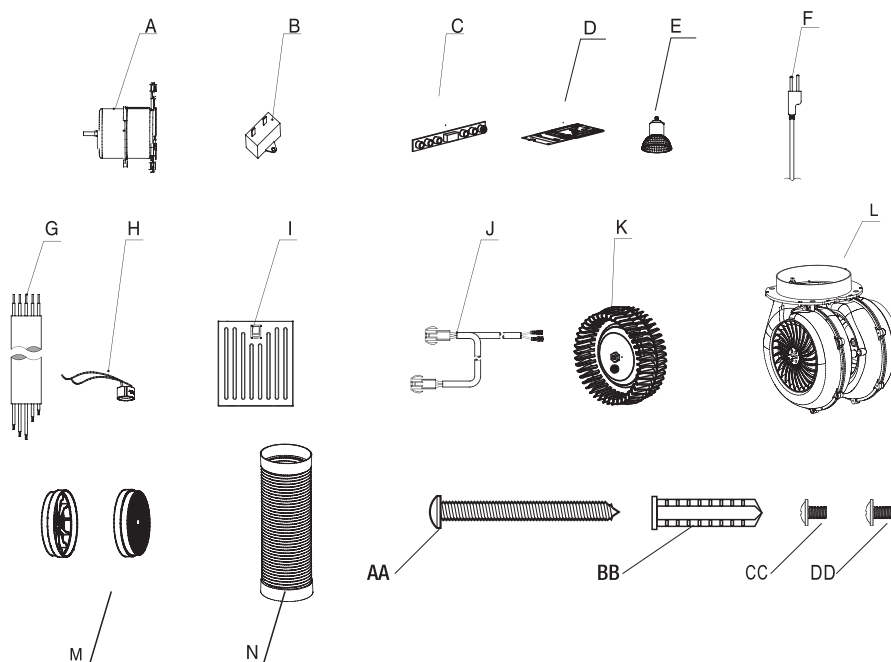
Diagrama de cableado



Partes de Servicio

Si le faltan piezas o si necesita piezas de repuesto, comuníquese con nuestro equipo de servicio al cliente a través del teléfono 1-888-511-3013

Identifique la (s) parte (s) requerida (s) y tenga el (los) número (s) de pieza listo (s).



Parte	Descripción	Cantidad
A	Motor	1
B	Condensador	1
C	Panel de control del interruptor	1
D	Panel de energía	1
E	3W GU10 LED	2
F	Cable de alimentación	1
G	Cable de interruptor	1
H	Base de luz	2
I	Filtro deflector	2
J	Cable de luz	1
K	Ventilador	1
L	Soplador	1
M	Filtro de carbon	2
N	Diámetro de 6 pulgadas del conducto flexible (longitud máxima de 59 pulgadas)	1
AA	Tornillos de montaje del cuerpo de la campana	6
BB	Anclaje de paneles de yeso	6
CC	Tornillos de fijación del adaptador de salida	4
DD	Tornillos de soporte de montaje de chimenea	2

VISSANI

Preguntas, problemas, piezas faltantes?
Antes de regresar a la tienda, llame a Servicio al Cliente de Vissani

1-888-511-3013

HOMEDEPOT.COM

Conserve este manual para su futuro uso