

# UNIQUE<sup>®</sup>

OFF-GRID APPLIANCES

## UGP 6C/8C/10C

Propane Refrigerator

---



---

OWNER'S GUIDE

serial number:

April 2018

# UNIQUE UGP-6C/8C/10C

## Propane Refrigerator Installation and Owner's Manual

**⚠ WARNING**

**FIRE OR EXPLOSION HAZARD**

If you smell gas:

1. Open windows.
2. Do not attempt to light appliance.
3. Do not touch electrical switches.
4. Extinguish any open flame.
5. Shut off fuel supply.
6. Evacuate immediately and call emergency services.

Failure to follow these instructions could result in fire or explosion, which could cause property damage, personal injury, or death.

**WARNING: Improper installation, adjustment, alteration, service or maintenance can cause injury or property damage. Refer to this manual. For assistance or additional information consult a qualified installer, service agency or the gas supplier.**

**⚠ WARNING: In Canada, an unvented refrigerator shall only be installed in an area that is not normally occupied, not used as sleeping quarters and does not directly communicate with occupied areas.**



The installation of the appliance must conform with local codes or, in the absence of local codes, to the national Fuel Gas Code, ANSI Z233.1 and in Canada B149.2 Propane Storage and Handling Code



April 2018



## NOTICE TO INSTALLER/CUSTOMER

Please read carefully before hook-up!

1. The dwelling must have an adequate air supply and access to fresh air/oxygen in order to operate safely. Propane fridges/freezers, like any other gas appliance, must have access to fresh air/oxygen. **This unvented appliance must not be used in an airtight application.**
2. This refrigerator must be installed by a licensed gas fitter.
3. The propane gas supply pressure regulator must be set at 11" water column.
4. The left side heat shield (facing front of the refrigerator) must be installed. The heat shield is shipped in the refrigerator carton.
5. For safety & efficient operation the proper clearances on all sides and top must be maintained. The clearances are listed in the Owner's Manual.
6. For proper and efficient operation the refrigerator must be level, both side to side and front to back (use bubble type level).
7. The Combination Carbon Monoxide (CO) Alarm & Safety Shut-Off must be installed and connected (CM Models only) with the Alarm mounted as indicated in the Carbon Monoxide Alarm (Monitor) Installation Manual.

**NOTE: It is illegal to operate this refrigerator in Canada without the Combination Carbon Monoxide Alarm & Safety Shut-Off installed, and will void the Canadian Standards Association Certification. Non compliance will void the Canadian certification and void household/cottage insurance coverage.** This refrigerator vents combustion products directly into the living space. The CO Alarming Device with Safety Shut-Off has been added to this refrigerator to guard against potentially high levels of Carbon Monoxide, which can kill you. Once unsafe levels of CO are detected, an alarm will sound and the refrigerator will be shut off.

**WARNING:** Actuation of this device indicates the presence of unsafe levels of carbon monoxide (CO) which can KILL YOU. If alarm signal sounds:

- a. Immediately move to fresh air --- outdoors or by an open door or window. Check that all persons are accounted for. Do not re-enter the premises or move away from the open door/window until the emergency services responders have arrived, the premises have been aired out, and your alarm remains in its normal condition;
- b. Call emergency local service telephone number, fire department or 911.
- c. The following symptoms may be related to CARBON MONOXIDE POISONING and should be discussed with ALL members of the household:

Mild Exposure: Headaches, running nose, sore eyes, often described as "flu"-like symptoms;

Medium Exposure: Dizziness, drowsiness, vomiting;

Extreme Exposure: Unconscious, brain damage, death.

- d. Read the Instructions for complete Information on Alarms Signals.

8. NOTE: The Combination Carbon Monoxide Alarm & Safety Shut-Off Instructions (CM Model), Owners/Installation Manual are stored inside the refrigerator.

For Unique Gas Products Support, Call Toll Free 1-877-427-2266

9. Regular maintenance of the fridge is critical to prevent unsafe levels of Carbon Monoxide. Before lighting the refrigerator at any time, clean the flue tube as per the Owner's Manual & make sure the burner and areas around the burner are free from any lint, spider webs or any other debris. Please record your appliance maintenance on the SERVICE RECORD label located at the back of your appliance.

WARNING -- Test the Combination Carbon Monoxide & Safety Shut-Off device operation after the refrigerator has been in storage, before each startup , and at least once per week during use.

# UNIQUE®

MANUFACTURED AND CERTIFIED BY

## Unique Gas Products Ltd

---

**"PERSONAL SERVICE & KNOWLEDGE MAKES US UNIQUE"**

Unique Gas Products Ltd,  
2245 Wycroft Road  
Oakville, Ontario, Canada, L6L 5L7  
Ph: 905-827-6154 Toll Free: 1-877-427-2266 Fax: 905-827-2027  
**[www.UniqueOffGrid.com](http://www.UniqueOffGrid.com)**  
E-mail: [info@uniqueoffgrid.com](mailto:info@uniqueoffgrid.com)

# Table of Contents

## Chapters

|                                                                                                                              |   |
|------------------------------------------------------------------------------------------------------------------------------|---|
| Welcome                                                                                                                      | 1 |
| Safety and Warnings                                                                                                          | 1 |
| Appliance Installation                                                                                                       | 2 |
| General Operating Instructions                                                                                               | 3 |
| How to use the Refrigerator                                                                                                  | 3 |
| Maintenance & Service                                                                                                        | 4 |
| Troubleshooting & Suggested Spares                                                                                           | 5 |
| Door Reversal and Removal Instructions                                                                                       | 6 |
| Temperature Controls, Food Storage and Cleaning                                                                              | 7 |
| Parts & Warranty                                                                                                             | 8 |
| Carbon Monoxide Instructions (CM Model) – Instructions are located inside CO detector packaging that comes with your fridge. |   |

---

## Welcome & Congratulations

**C**ongratulations on your purchase of a **UNIQUE** refrigerator!. We are very proud of our product and we are completely committed to providing you with the best service possible. Your satisfaction is our #1 priority. Please read this manual very carefully. It contains valuable information on how to properly maintain your new gas refrigerator.

We know you will enjoy your new refrigerator and thank you for choosing one of our Unique Gas Products. We hope you will consider us for future purchases.

### **PLEASE READ AND SAVE THESE INSTRUCTIONS**

This manual provides specific operating instructions for your model. Use your refrigerator only as instructed in this manual. These instructions are not meant to cover every possible condition and situation that may occur. Common sense and caution must be practiced when installing, operating and maintaining the appliance

Please record your model and serial # shown below for future reference. This information is found on your CSA rating/serial plate at the back of your appliance.

Please mail in the **Warranty Registration Card** included with you refrigerator.



## Safety and Warnings

### If you smell gas

- Open Windows
- Don't touch electrical switches
- Extinguish any open flame
- Immediately call your gas supplier



### For you Safety

- Do not store or use gasoline or other flammable vapors and liquids in the vicinity of this unit or any other appliance

### Warning

- Improper installation, adjustment, alteration, service or maintenance can cause injury or property damage. Refer to this manual. For assistance or additional information consult a qualified installer, service agency or the gas supplier.
- This product can produce Carbon Monoxide. Carbon Monoxide has no odour and can kill you. The burner and flue system must be kept clean. See owner's manual for cleaning instructions.

### Installation Instructions

- The installation of the appliance must conform with local codes or, in the absence of local national Fuel Gas Code, ANSI Z233.1 and in Canada B149.2

## Installation

For best performance at high ambient temperatures, there must be free air circulation over the cooling unit at the rear of the refrigerator.

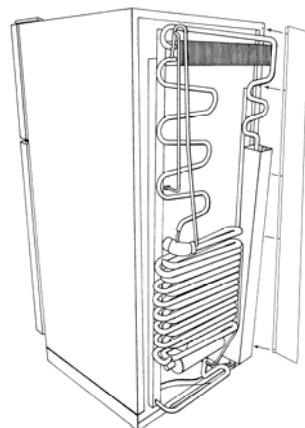
Ensure that there is a free air space above the refrigerator and that the flue (chimney) on top of the cabinet is not covered in any way. Do not place the refrigerator in a space where air circulation is restricted. Follow “clearance” instructions.

This free-standing refrigerator requires accessibility to the back for servicing the gas equipment, which can be obtained by using a certified Flexible Metal Connector to allow the refrigerator to be withdrawn without disrupting the gas supply. Where a flexible metal connector is used, it must comply with local authorities and in Canada with the provisions of the current Standard CAN 1-6.10, Metal Connectors for Gas Appliances. However, if the Local Authorities require a rigid gas supply connector, the refrigerator should be located with sufficient space at the back for servicing or, if located against a wall a removable panel of a minimum size of 16” x 20” should be provided in the wall to allow access to the rear of the refrigerator. . If you purchased a CM (CO Monitor model) you must follow instructions that were included with your CO detector.

## Heat Shield

The heat shield must be installed before operating the appliance. This is a CSA requirement.

Un-wrap the heat shield (located inside the box along with the appliance). Mount heat shield with the screws (supplied) to the right side of the fridge.



Heat Shield



## Clearances

Minimum clearances to combustible materials are:

Top – 6”

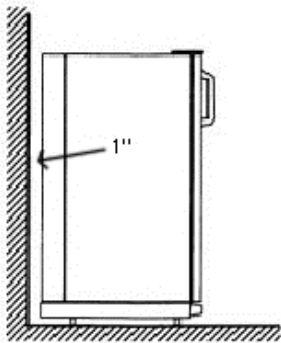
Sides – 2”

Rear – 1”

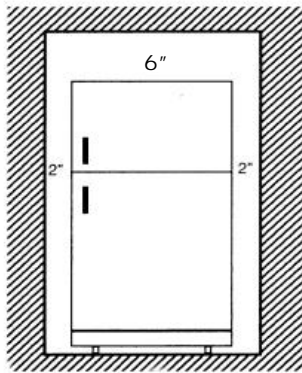
as shown in Figures. 1, 2 & 3.

**Note: DO NOT install the appliance directly on carpeting. Carpeting must be removed or protected by a metal or wood panel beneath the appliance, which extends at least the full width and depth of the appliance.**

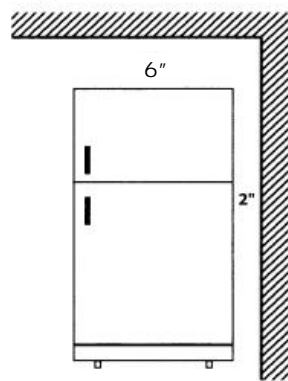
**Fig. #1**



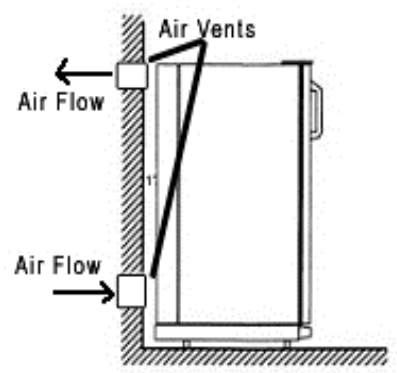
**Fig. #2**



**Fig. #3**



**Fig. #4**



Air Flow - to release heat trap

- Fig. #1 - This is ideal as both top and sides are open
- Fig. #2 – During hot/humid weather this confined area will become very warm. To reduce heat build-up, we recommend providing an area for two air vents to circulate the air. One placed 6” off the floor and the other at or above the appliance top. Cold air return vents with adjustable louvers, works very well. This will allow hot air to evacuate the area and assist in air flow across the fins (similar to air passing across a radiator) – **See Fig. #4**
- Fig. #3 – If this is your opening you only need to stay the diagrammed distance from the wall and ceiling. There is no need for additional venting.

## Gas Connection

Hook-up to the gas supply line: 3/8” SAE (UNF 5/8” - 18) male flare connection. A backup wrench must be used when tightening gas supply fitting. All completed

connections should be checked for leaks with a non-corrosive leak detector and/or soap and water for a bubble check.



**WARNING – DO NOT USE FLAME TO CHECK FOR GAS LEAKS**

The gas supply system must incorporate a pressure regulator to maintain a supply pressure of not more than 12” water column and no less than 11” water column (max setting).

Make sure the refrigerator and any other high BTU appliances on your line are turned on when checking the gas pressure. The appliance and its individual shut-off valve must be disconnected from the gas supply piping system during any pressure testing of that system at pressures in excess of 1/2” psig.

In case detailed instructions on the installation and connection of the gas supply are required, contact your dealer or distributor.

## Leveling

Ensure the fridge is level by using a 2ft level. Level the fridge front to back and left to right using the top of the appliance. There are no leveling legs at the back of the appliance just at the front; if the back of your floor is uneven you will have to use shims of some sort to ensure the appliance is level. See the importance of leveling explained on next page.

## General Operating Instructions

### Importance of Leveling a Refrigerator

The refrigerator must be adjusted to a vertical position in both directions. In an absorption refrigeration system, ammonia is liquefied in the finned condenser coil at the top rear of the refrigerator. The liquid ammonia then flows into the evaporator (inside the freezer section) and is exposed to circulating flow of hydrogen gas, which causes the ammonia to evaporate, creating a cold condition in the freezer.

When starting this refrigerator for the very first time, the cooling cycle may require up to 8 hours of running time before the cooling unit is fully operational to begin slowly loading compartment with cold food from your cooler.

The tubing in the evaporator section is specifically sloped to provide a continuous movement of liquid ammonia, flowing downward by gravity through this section. If the refrigerator is operated when not level, liquid ammonia will accumulate in sections of the evaporator tubing. This will slow the circulation of hydrogen and ammonia gas, or in severe cases, completely block it, resulting in a loss of cooling. Warranty will not cover recharge/rebuild if caused by not running the fridge level.

### **This refrigerator operates on LP Gas (Propane) & 110V (Electricity)**

*Note: After changing an LP tank, or after a long shut off period, the gas line is likely to be filled with air. You may have to repeat the lighting procedure several times to purge the air out of the gas lines. We suggest first turning off gas at the control panel, then the tank, this will reduce an air trap in the gas line.*

## Gas Operation – for models with electronic ignition

## “Start-Up” Procedure

### Electronic Ignition (battery)

1. To start the refrigerator, turn the thermostat knob **E** to the maximum setting, #4.
2. Turn button **G** to “Gas” position, then push **B** button in first and hold, proceed to push in and hold the **D** button until you see the needle on the flame sensor **C** moving from the red into the green area. Release the **B** button, while continuing to hold in the **D** button for an additional 10-15 seconds, now release the **D** button. The burner should now stay on indicated by the needle staying in the green area, if not repeat the lighting instructions above.
3. Adjust the thermostat knob **E** to desired temperature setting after 8 or more hours of operation.
4. To change the battery in the electronic ignition, turn the far left knob **A** to the left to expose the battery, remove AAA battery and replace with a new one, positive outwards, replace the knob by turning to the right to close.

## Shut Down Procedure – Gas Operation

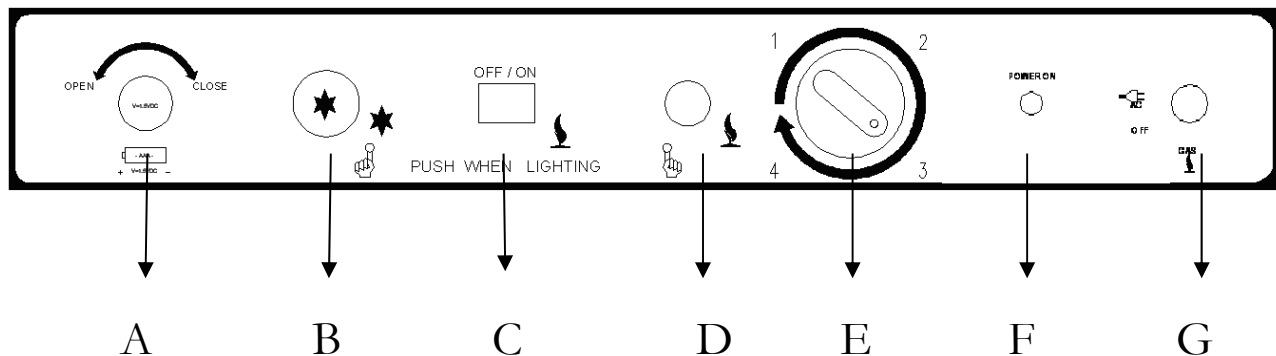
1. Turn selector knob **G** to the **OFF** position
2. Shut the gas off at the LP-gas supply cylinder when the appliance is not in use.
3. If the refrigerator will not be in operation for a period of weeks, it should be emptied, defrosted, cleaned and the door left open.

## 110V Operation

1. Ensure the electrical cord is plugged into a grounded outlet
2. Turn the selector switch **G** to AC position, AC power indicator **F** will illuminate
3. To start the refrigerator, turn the thermostat knob **E** to the maximum setting.
4. Adjust the thermostat knob to desired temperature setting after 8 hours of operation.

**CONTROLS** – See Fig. #5 for a description of controls

Figure. #5



## Thermostat

The refrigerator cooling temperature is controlled by a thermostat that can be adjusted by turning knob **E** to different settings to maintain the desired refrigerator temperature. It also incorporates a safety device which automatically shuts off the supply of gas if the flame goes out. The electronic ignition discharges sparks onto the burner when the appropriate button is pushed.

1. **“MIN” Setting on the Gas Thermostat:** In gas operation, the thermostat closes its main valve and the burner runs continuously at the bypass rate or pilot flame. (counter-clockwise turn). If left at the minimum position for an extended period of time the fridge will defrost.
2. **“MAX” Setting of the Thermostat:** In gas operation, the thermostat allows the burner to remain on high flame continuously. (Clockwise turn)
3. The thermostat can be adjusted between “Max” and “Min” (4 or 1) to obtain the desired fridge temperature.

When the thermostat reaches the set temperature, it will cut the burner back to bypass operation other than max and min setting.

The setting of the thermostat is critical and we recommend it be adjusted to maintain a dry frost on the cooling fins (approx. 38° Fahrenheit or 3° Celsius). Adjust the thermostat knob closer to “Max” (clockwise) when the outside temperature rises.

**NOTE:** When first turning the refrigerator on, move refrigerator controls to maximum, which is the recommended initial setting. After 24 hours, adjust the controls as needed.

## How to Use the Refrigerator

### FOOD STORAGE COMPARTMENT

The food storage compartment is completely closed and unventilated, which is necessary to maintain the required low temperature for food storage. The coldest areas in the refrigerator are under the cooling fins and at the bottom of the refrigerator. The warmer areas are on the upper door shelves. This should be considered when placing different types of food in the refrigerator.

### FROZEN FOOD STORAGE COMPARTMENT

Quick frozen soft fruits and ice cream should be placed in the coldest part of the compartment which is at the bottom. Frozen vegetables may be stored in any part of the compartment.

This compartment is not designed for deep or quick freezing of food. Meat or fish, whether raw or prepared, can be stored in the frozen food storage compartment provided they are pre-cooled in the refrigerator. To prevent food from drying out, keep it in covered dishes, containers, plastic bags or wrapped in aluminum foil.

## Defrosting

Frost will gradually accumulate inside the refrigerator and freezer surfaces. It must not be not allowed to grow too thick as it acts as an insulator and adversely affects the refrigerator performance. Check the formation of frost every couple of weeks and when it exceeds 1/2" thick or more defrost the refrigerator.

Shut off and empty the refrigerator, leaving the fridge and the freezer doors open. Defrosting time can be reduced by filling the ice tray with hot water and placing it in the freezer compartment. You can also open the doors without shutting off the appliance to defrost the fridge; the process will just be a bit slower.



**DO NOT USE A HOT AIR BLOWER AS PERMANENT DAMAGE COULD RESULT. DO NOT USE A KNIFE, AN ICE PICK, OR ANY OTHER SHARP TOOLS TO REMOVE FROST FROM THE FREEZER COMPARTMENT.**



## FRIDGE SECTION

Inside the refrigerator compartment, the defrost water runs from a collector channel to a drip tray/cup at the rear of the refrigerator where it normally evaporates. If heavy frost has built up on the cooling fins creating a lot of defrost water. **Be aware your water reservoir may overflow. We suggest you inspect reservoir before/after cycle.**

## FREEZER SECTION

This area must be wiped down with cloths to remove water after defrosting; there is no drain for this compartment

When all frost is melted in the freezer compartment & interior of the refrigerator it should be wiped up with a clean cloth. Replace all food and set the thermostat to your desired setting.

## Cleaning

Cleaning the refrigerator is usually done after it is defrosted or put into storage. To clean the interior liner of the refrigerator, use lukewarm weak soda solution. Use only warm water to clean the finned evaporator, gasket, ice trays and shelves.



**Never use strong chemicals or abrasives** to clean these parts as the protective surfaces will be damaged. It is important to always keep the refrigerator clean. Dishwasher detergent is recommended

## Inside Light

The interior light turns on when the door is open. The light uses four AA batteries located at the back of the appliance.

To change the batteries, use the following procedure:

1. Go to the back of the appliance and pop off black cover.
2. Remove and replace the 4 x AA batteries.
3. Pop the black cover, back on.
4. The light will come on when the fridge door is open, and will shut off when the fridge door is closed by a switch located at the upper right-hand side of the inner portion of the fridge. You can check its operation by manually pressing and releasing the switch.

## Shut Down Procedure

- A. Turn gas valve knob to the “off” position
- B. If the refrigerator will not be in operation for a period of weeks, it should be emptied, defrosted, cleaned and the doors left open. The ice tray should also be dried and kept outside the cabinet, also turn off gas at the main supply source.



## Maintenance & Service

The user should be aware of service that must be done on a regular schedule to keep the refrigerator operating properly. Installation must be by a licensed gas fitter in accordance with local codes or in the absence of local national Fuel Gas Code, ANSI Z233.1 and in Canada B149.2 Propane Storage and Handling Code (latest edition).

### REFRIGERATOR REMOVAL and PERIODIC MAINTENANCE

Before working on the refrigerator, shut off the gas supply. Disconnect the gas supply line at the rear of the refrigerator. Always use a back-up wrench when loosening and tightening this connection. Cap the gas supply line and remove the refrigerator. Replacement is the reverse of removal. Check all connections for gas leaks.

#### Refer to Chapter 2 - Installation

To keep your refrigerator operating effectively and safely, periodic inspection and cleaning of several components is recommended once or twice a year, sometimes more often depending on the environment.

- It's important to keep the area at the back of the refrigerator clean. Clean the coils on the back of the refrigerator. Use a soft bristled brush to dust off the coils.



**Note:** The following maintenance is required at least once or twice a year at least.

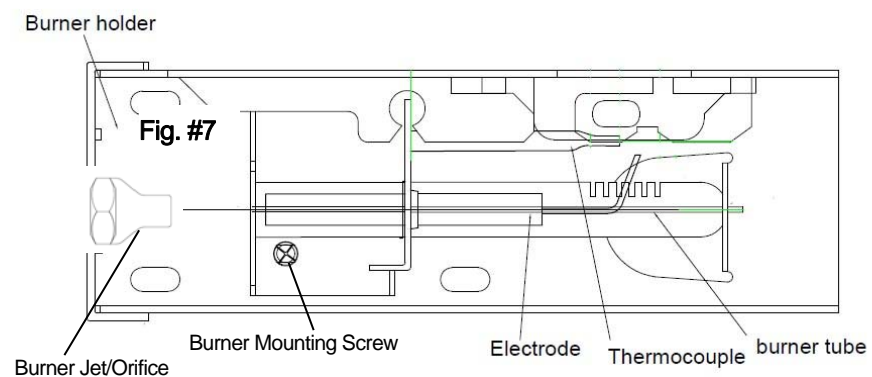
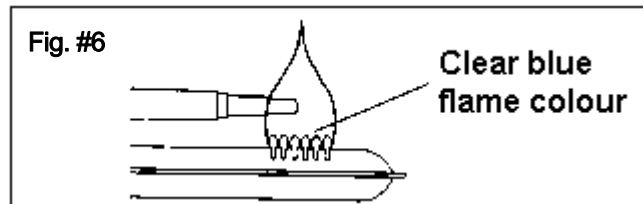


- Check all connectors in the complete refrigerator LP gas system for gas leaks. The LP gas supply must be turned on. Apply a non-corrosive bubble solution to all LP connections. The appearance of bubbles indicates a leak and should be repaired **immediately** by a qualified serviceman.

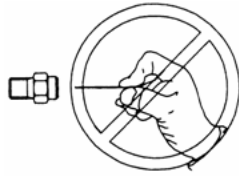


**WARNING – DO NOT USE FLAME TO CHECK FOR GAS LEAKS**

Check burner flame for proper appearance. The flame should be light blue with no yellow at the tip. See figure #6



- The LP gas pressure should be checked and the main regulator readjusted if pressure is incorrect. The correct operating pressure is 11" W.C. (water column).
- Inspect the flue baffle, it should be clean and free of soot. Any soot formation indicates improper functioning of the burner. The flue and burner both require cleaning in the following manner:
  - Remove cover from the burner housing.
  - Remove the burner by removing the burner mounting screw
  - Remove the wire and flue baffle from the top of flue tube. Clean the flue from the top using a flue brush and **be sure to cover the burner if remaining intact** to eliminate dirt falling into the burner. Blowing compressed air into the flue should clean out soot and scale. Replace the flue baffle.
  - Clean burner tube with compressed air, check for fluff or spider webs.
  - Before removing burner orifice, clean burner area of any soot, scale or dirt. Remove the orifice/burner jet and soak it in alcohol (isopropyl alcohol or thinners) and blow it out with compressed air. Re-install and tighten burner orifice.
  - Replace burner



**Warning - DO NOT** use a pin or wire when cleaning the burner orifice as damage can occur to the precision opening. This can cause damage to the refrigerator or create a fire hazard. It will also create **extremely dangerous** levels of carbon monoxide.

- The inlet & outlet gas fittings on the refrigerator need to be checked for leaks. Apply a non-corrosive bubble solution to the fittings and observe for leaks. The safety valve will not allow gas pressure to any connections between it and the burner orifice. These fittings must be checked while burner is in operation (gas flow will be present between safety valve and burner head).



**WARNING** – The gas button **D (Fig. #5)** must be manually depressed to allow gas pressure to flow to the burner orifice. Be sure to apply the leak check solution before depressing the safety shut-off. **DO NOT** allow any open flame, sparks, smoking, etc. in the area of the test. **DO NOT** depress safety shut-off for over 30 seconds.



- If a leak occurs, then allow ten minutes to dissipate from the burner area. Fix leak then light the burner according to the instructions under GENERAL OPERATING INSTRUCTIONS – GAS OPERATION, CHAPTER 3.

## TROUBLESHOOTING INSTRUCTIONS & SUGGESTED SPARE PARTS TO KEEP ON HAND

### **REFRIGERATOR DOES NOT COOL, CHECK LIKELY CAUSES:**

1. Burner orifice clogged. Clean. See section Maintenance & Service, CHAPTER 4,
2. Check to ensure refrigerator is level – (left to right and front to back).
3. Restriction on airflow across cooling unit.
4. Heavy frost build-up on evaporator fins. Defrost.
5. Flue baffle not inserted properly in flue tube.
6. Improperly set thermostat. See paragraph on the thermostat. In hot weather or heavy use the setting should be closer to “Max” than usual.
7. Burner dirty. Clean. See Section MAINTENANCE & SERVICE, CHAPTER 4, PERIODIC MAINTENANCE
8. LP gas pressure low at the burner. Regulator pressure must not drop below 11 inches W.C (water column). CHAPTER 2, GAS CONNECTION
9. Burner not located properly under the flue tube. Relocate; flame must be directly into the flue
10. Burner damaged. Replace.
11. Odours and fumes
  - Dislocated burner
  - Damaged Burner
  - Dirty orifice
  - Dirty flue tube – CHAPTER 4.

## Spare Parts

The following is a list of commonly used parts which are available:

- Burner orifice
- Burner
- Electrode with wire
- Thermocouple
- Safety valve & Thermostat
- Baffle

Contact your dealer or an authorized service center for parts and repairs as needed.  
Quote Model & Serial # - See CSA rating/serial plate at the back of your appliance.

## Door Removal & Reversal Instructions

**NOTE:** The direction in which your refrigerator doors open (door swing) can be reversed, from left to right or right to left, by moving the door hinges from one side to the other. Reversing the door swing should be performed by a qualified person.

1. Remove top hinge cover.
2. Remove top hinge with Philips screwdriver and lift freezer door off of center hinge and set door aside.
3. Unscrew center hinge with Phillips screwdriver.
4. Lift refrigerator door off of bottom hinge and set aside.
5. Remove bottom hinge with Phillips screwdriver.
6. Now remove all plugs and caps from opposite side and place them in the holes you just remove the screws from.
7. Using a Philips screwdriver fasten the bottom hinge in place using the screws you previously removed.
8. Place fridge door on bottom hinge, then place middle hinge in top hole of fridge door and using the Phillips screwdriver, fasten the middle hinge in place using the screws you previously removed.
9. Now place the freezer door on top of the middle hinge, then place top hinge in top hole of the freezer door and using the Phillips screwdriver, fasten the top hinge in place using the screws you previously removed.
10. Tighten all screws while making adjustments where necessary to ensure they are aligned correctly and closing well against the cabinet, this will reduce any excessive frost build up.



## Temperature Controls

**NOTE:** Due to the nature of a gas operated absorption fridge, temperatures in the fridge compartment will drop to freezing even on the lowest setting when the ambient temperature surrounding the fridge drops to or below 60° F/ 15.0° C overnight and will freeze your food or drink products. An absorption fridge is always cooling when operating, as the ambient drops surrounding the appliance so does the temperature inside the fridge.

### COOL DOWN PERIOD

To ensure safe food storage, allow the refrigerator to operate with the doors closed for at least 8 hours before loading it with food.

### REFRIGERATOR CONTROL

**NOTE:** When first setting the controls or when changing a setting, wait 24 hours for the temperature to stabilize before making additional changes.

### TEMPERATURE ADJUSTMENT

- **Adjust temperature gradually: move the knob in small increments, allowing the temperature to stabilize.**
- For colder temperatures, turn the knob clockwise.
- For warmer temperatures, turn the knob towards counter-clockwise

Turning the refrigerator control will change temperatures in both compartments.

Remember there is no fan to circulate the air in the refrigerator and freezer compartments as in an electric fridge. For good circulation, do not block the cooling fins and try to maintain a temperature of 38° F or 4°C in the fridge

**NOTE:** When first turning the refrigerator on, move refrigerator controls to maximum, which is the recommended initial setting. After 24 hours, adjust the controls as needed.

## Looking Inside

### **SHELF ADJUSTMENT**

Refrigerator shelves are easily adjusted to suit individual needs. Before adjusting the shelves, remove all food.

### Crispers & Deli Drawers

The crispers, located under the bottom refrigerator shelf, are designed for storing fruits, vegetables, and other fresh produce. Wash items in clear water and remove excess water before placing them in the crispers. Items with strong odors or high moisture content should be wrapped before storing.

### Food Storage Ideas

#### **FRESH FOOD STORAGE**

- The fresh food compartment should be kept between 38° F and 40° F (3.3° C and 4.4° C) with an optimum temperature of 38° F (3.3°C).
- Avoid overcrowding the refrigerator shelves. This reduces the circulation of air around the food and results in uneven cooling.

**Note:** The purchase of a remote thermostat is an ideal way to understand how your appliance functions inside; a sending unit is placed inside your fridge while the temperature display sits on your kitchen counter. You can keep track of the interior temperature of the fridge without opening the fridge door.

#### **FRUITS AND VEGETABLES**

- Storage in the crisper drawers traps moisture to help preserve the fruit and vegetable quality for longer time periods.

#### **MEAT**

- Raw meat and poultry should be wrapped securely so leakage and contamination of other foods or surfaces does not occur.

#### **FROZEN FOOD STORAGE**

- The freezer compartment should be kept at 8.6°F (-13°C) at a 77°F (25°C) room ambient



- A freezer operates most efficiently when it is slowly loaded to 2/3 full.

#### **PACKAGING FOODS FOR FREEZING**

- To minimize dehydration and quality deterioration, use aluminum foil, freezer wrap, freezer bags or airtight containers.
- Force as much air out of the packages as possible and seal them tightly. Trapped air can cause food to dry out, change color, and develop an off-flavour (freezer burn).
- Wrap fresh meats and poultry with suitable freezer wrap prior to freezing.
- Do not refreeze meat that has completely thawed.

#### **LOADING THE FREEZER**

- Avoid adding too much warm food to the freezer at one time. This overloads the freezer, slows the rate of freezing, and can raise the temperature of frozen foods.
- Leave a space between the packages, so cold air can circulate freely, allowing food to freeze as quickly as possible.
- Avoid storing hard-to-freeze foods such as ice cream and orange juice on the freezer door shelves. These foods are best stored in the freezer interior where the temperature varies less.

## Care and Cleaning

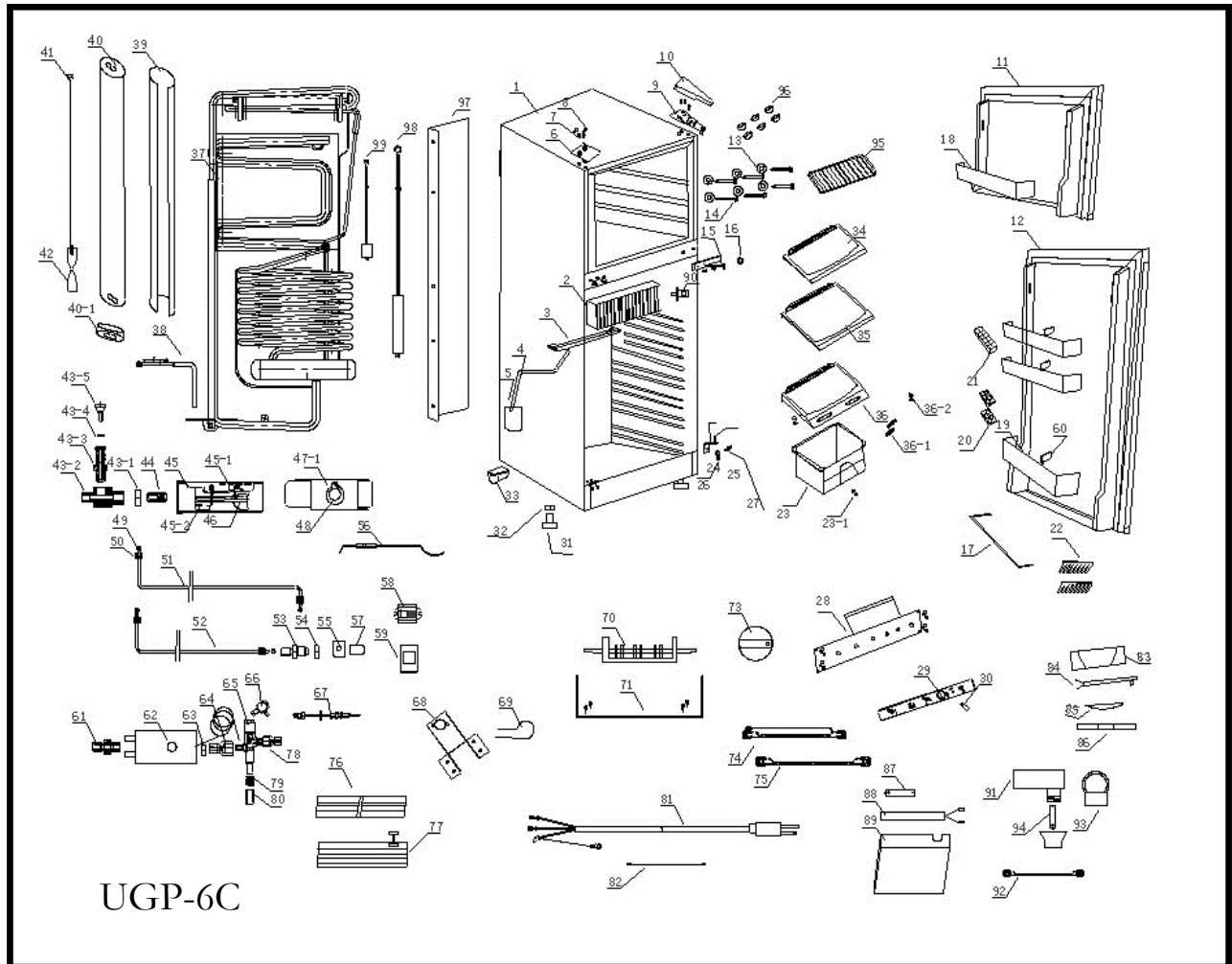
Keep your refrigerator and freezer clean to prevent odor build-up. Wipe up any spills immediately and clean both sections at least twice a year. **Never** use metallic scouring pads, brushes, abrasive cleaners or strong alkaline solutions on any surface. **Do not** wash any removable parts in a dishwasher.

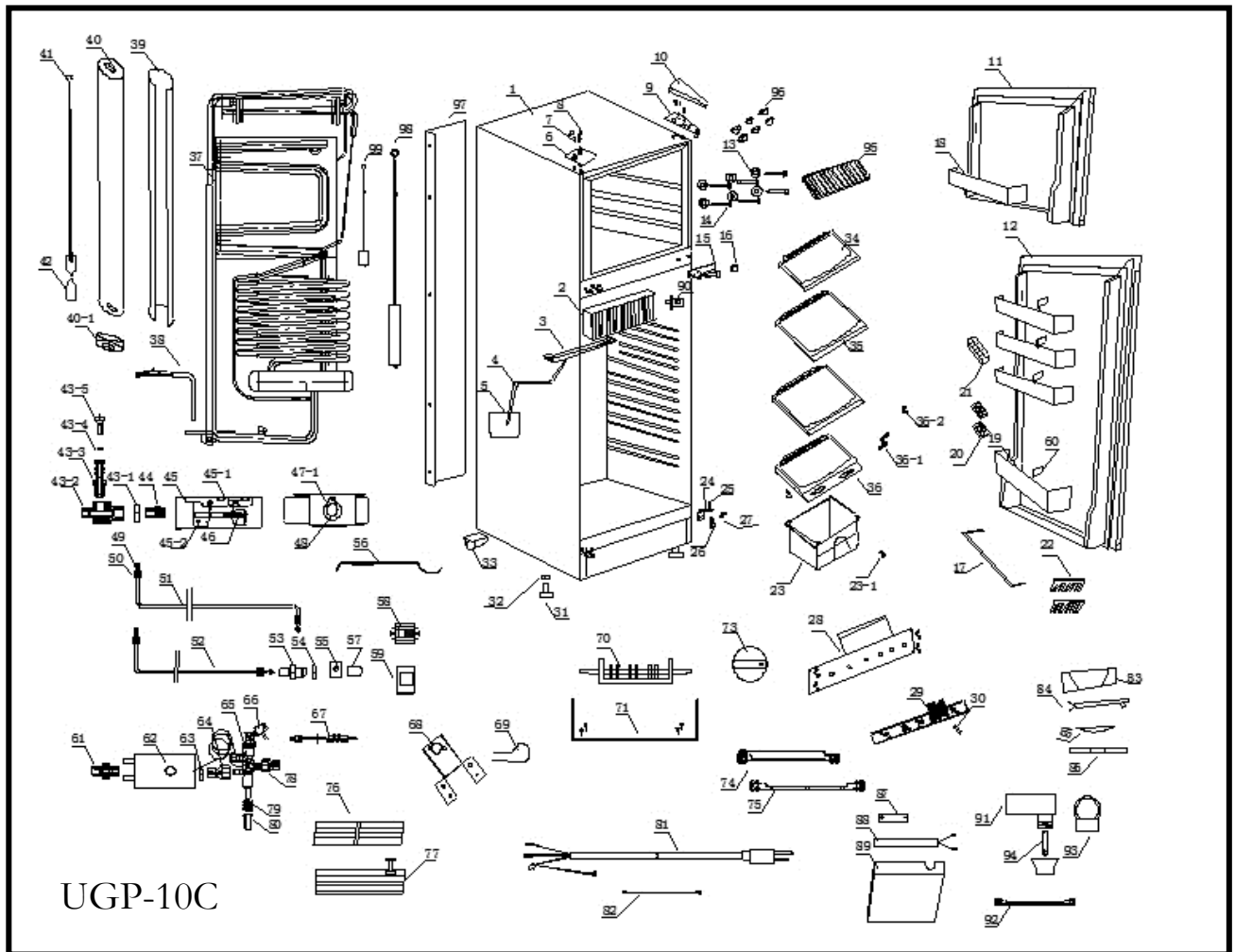
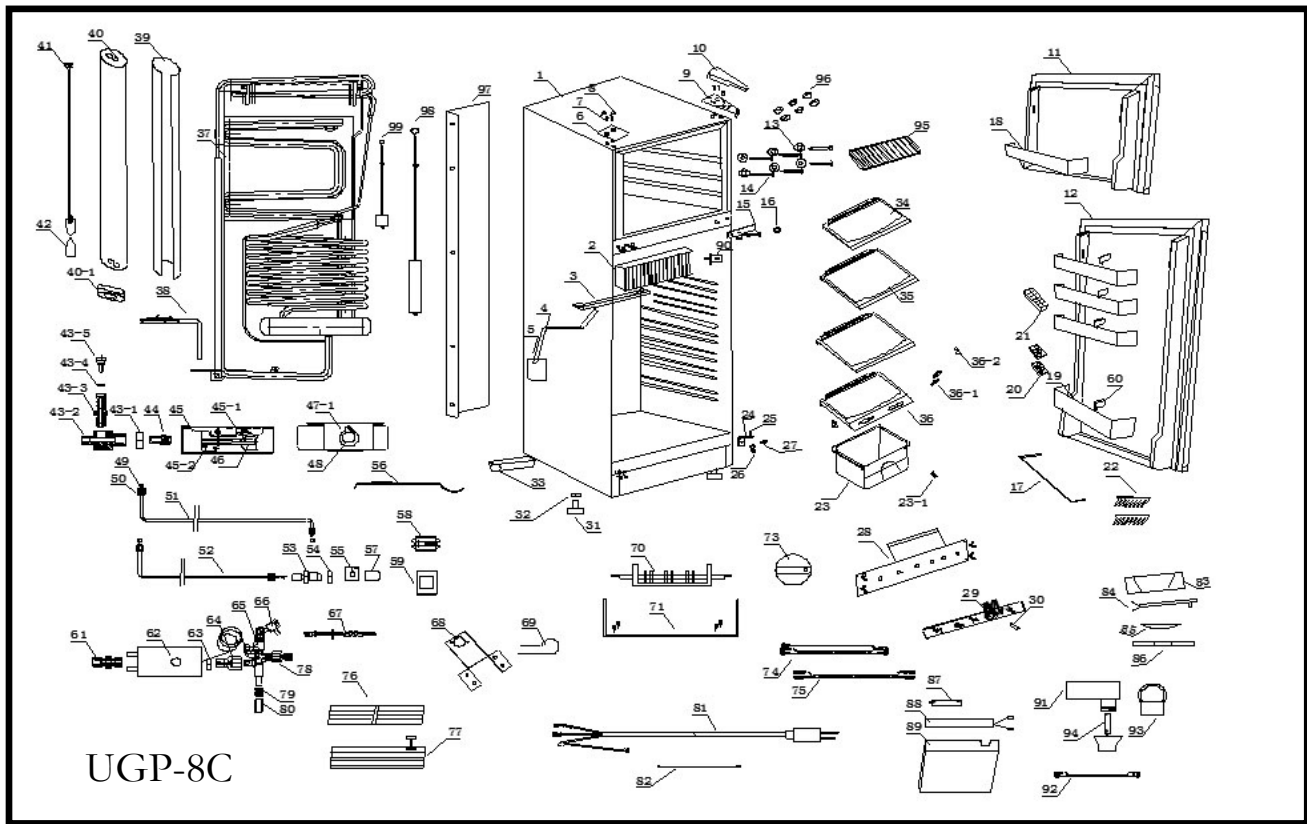
- **When moving the refrigerator, pull straight out. You must turn gas off at the source or have adequate flex line to move the refrigerator. Do not shift the refrigerator from side to side as this may tear or gouge the floor covering and damage the gas supply line.**
- **Damp objects stick to cold metal surfaces. Do not touch refrigerated surfaces with wet or damp hands.**

**NOTES:**

Do not use razor blades or other sharp instruments, which can scratch the appliance surface when removing adhesive labels. Any glue left from tape or labels can be removed with a mixture of warm water and mild detergent, or, touch the glue residue with the sticky side of tape you have already removed. **Do not remove the certification/serial plate, lighting instructions or CO warning label.**

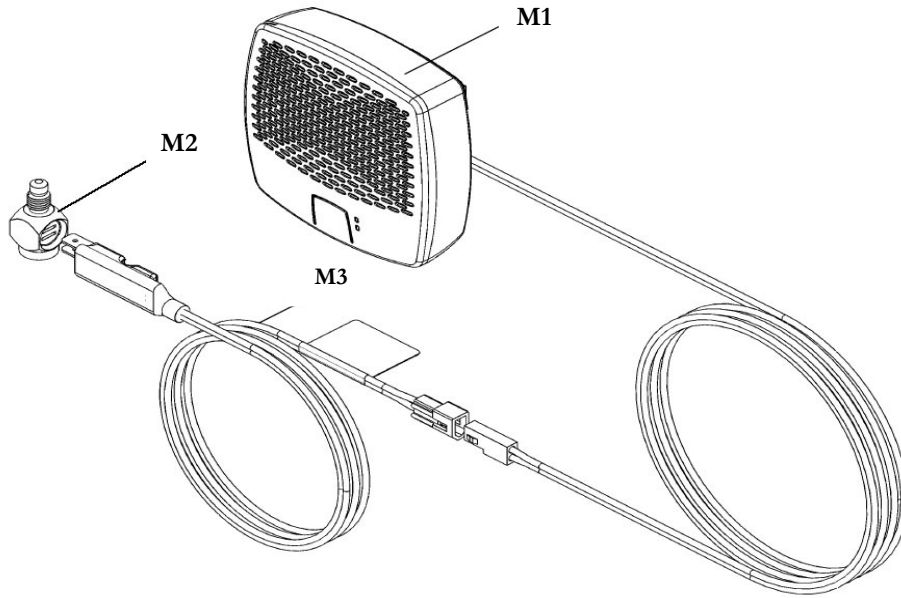
Parts Diagram and Lists – UGP 6C/8C/10C





## CO-Monitor and Components – all units

### CO Monitor and Components



| <b>UNIQUE – UGP 6C</b> |                      |                |
|------------------------|----------------------|----------------|
| <b>No.</b>             | <b>Item</b>          | <b>Code</b>    |
| 1                      | Cabinet              | N/A            |
| 2                      | Heat sink            | UGP-DL22502524 |
| 3                      | Drip tray            | UGP-DL22501294 |
| 4                      | Drainage hose        | UGP-DL00009088 |
| 5                      | Drip pan             | UGP-DL10001155 |
| 6                      | Hinge cover          | UGP-DL22001080 |
| 7                      | Screw                | UGP-DL00003005 |
| 8                      | Screw cap            | UGP-DL10001193 |
| 9                      | Top hinge            | UGP-DL22001079 |
| 10                     | Top hinge cover      | UGP-DL22001074 |
| 11                     | Freezer door - White | UGP-DL90000008 |
| 11                     | Freezer door – Black | UGP-DL90000009 |
| 12                     | Fridge door – White  | UGP-DL90000012 |
| 12                     | Fridge door – Black  | UGP-DL90000013 |
| 13                     | Washer               | UGP-DL22502504 |
| 14                     | Screw                | UGP-DL27501364 |
| 15                     | Middle hinge         | UGP-DL27501359 |
| 16                     | Washer               | UGP-DL08501152 |
| 17                     | Bottle rack          | UGP-DL22502213 |
| 18                     | Freezer balcony      | UGP-DL22501145 |
| 19                     | Fridge balcony       | UGP-DL22502240 |
| 20                     | Egg tray             | UGP-DL10001104 |
| 21                     | Ice tray             | UGP-DL03001003 |
| 22                     | Bottle holder        | UGP-DL18301133 |
| 23                     | Crisper              | UGP-DL22501289 |
| 23-1                   | Top wearing plate    | UGP-DL27501311 |
| 24                     | Bottom hinge         | UGP-DL18301080 |
| 25                     | Bottom hinge pin     | UGP-DL08501180 |
| 26                     | Spring washer        | UGP-DL00003018 |
| 27                     | Screw                | UGP-DL00003005 |
| 28                     | Control panel        | UGP-DL27501358 |
| 29                     | Control label        | UGP-DL27501241 |
| 30                     | Lamp                 | UGP-DL00013598 |
| 31                     | Foot                 | UGP-DL00010053 |
| 32                     | Screw                | UGP-DL00003068 |
| 33                     | Castor               | UGP-DL14502072 |

| <b>No.</b> | <b>Item</b>           | <b>Code</b>    |
|------------|-----------------------|----------------|
| 34         | Top shelf             | UGP-DL22501296 |
| 35         | Middle shelf          | UGP-DL22501297 |
| 36         | Bottom shelf          | UGP-DL27501306 |
| 36-1       | Ventilation hood      | UGP-DL27501310 |
| 36-2       | Bottom wearing plate  | UGP-DL27501312 |
| 37         | Cooling unit          | UGP-DL22503082 |
| 38         | Heater                | UGP-DL27501293 |
| 39         | Glass wool            | UGP-DL00006007 |
| 40         | Insulation cover      | UGP-DL22501136 |
| 40-1       | cover cap             | UGP-DL22501173 |
| 41         | Baffle                | UGP-DL27501007 |
| 42         | Baffle holder         | UGP-DL18502082 |
| 43         | Checkpoint assembly   | UGP-DL27501365 |
| 43-1       | Screw                 | UGP-DL10001474 |
| 43-2       | Test valve body       | UGP-DL10001498 |
| 43-3       | Connector             | UGP-DL10001501 |
| 43-4       | Washer                | UGP-DL00009306 |
| 43-5       | Screw                 | UGP-DL22501206 |
| 44         | Injector              | UGP-DL10001470 |
| 45         | Burner assembly       | UGP-DL10001496 |
| 45-1       | Burner bracket        | UGP-DL22502507 |
| 45-2       | Burner tube support   | UGP-DL10001476 |
| 46         | Burner tube           | UGP-DL10001142 |
| 47         | Burner cover assembly | UGP-DL22502506 |
| 47-1       | Burner cover          | UGP-DL22502508 |
| 48         | Cover window          | UGP-DL10001186 |
| 49         | Seal ring             | UGP-DL10001136 |
| 50         | Nut                   | UGP-DL10001113 |
| 51         | Outlet Gas Pipe       | UGP-DL22501300 |
| 52         | Inlet Gas Pipe        | UGP-DL22501303 |
| 53         | Gas connector         | UGP-DL10001267 |
| 54         | Nut                   | UGP-DL00003075 |
| 55         | Connector bracket     | UGP-DL10001096 |
| 56         | Electrode             | UGP-DL27501257 |
| 57         | Gas inlet cap         | UGP-DL22001160 |
| 58         | Flame indicator       | UGP-DL18301013 |
| 59         | Bracket               | UGP-DL27501355 |

| <b>No.</b> | <b>Item</b>         | <b>Code</b>    |
|------------|---------------------|----------------|
| 60         | Balcony spacer      | UGP-DL22502241 |
| 61         | Connector           | UGP-DL10001114 |
| 62         | Thermostat          | UGP-DL18301115 |
| 63         | Nut                 | UGP-DL18301029 |
| 64         | Connector           | UGP-DL10001115 |
| 65         | Safety valve        | UGP-DL18301005 |
| 66         | Connector           | UGP-DL22001180 |
| 67         | Thermocouple        | UGP-DL10001349 |
| 68         | Thermostat bracket  | UGP-DL18301012 |
| 69         | Power cord holder   | UGP-DL28801267 |
| 70         | Rotary switch       | UGP-DL10001213 |
| 71         | Bracket             | UGP-DL10001271 |
| 73         | Knob                | UGP-DL27501362 |
| 74         | Thermostat Wire     | UGP-DL27501292 |
| 75         | Thermocouple Wire   | UGP-DL10001350 |
| 76         | Front bottom        | UGP-DL27501328 |
| 77         | Rear bottom         | UGP-DL27501329 |
| 78         | Connector           | UGP-DL10001116 |
| 79         | Spring              | UGP-DL10001145 |
| 80         | Button              | UGP-DL18301034 |
| 81         | Power cord          | UGP-DL10001252 |
| 82         | Grounding wire      | UGP-DL10001056 |
| 83         | Lamp box            | UGP-DL04001634 |
| 84         | Lamp board          | UGP-DL27501160 |
| 85         | Lamp cover          | UGP-DL04001633 |
| 86         | Lamp box bottom     | UGP-DL04001632 |
| 87         | Battery             | UGP-DL22001113 |
| 88         | Battery holder      | UGP-DL27501190 |
| 89         | Battery cover       | UGP-DL27501342 |
| 90         | Lamp switch         | UGP-DL00013660 |
| 91         | Battery ignitor     | UGP-DL18301371 |
| 92         | Pulse Ignition Wire | UGP-DL22501187 |
| 93         | Push button switch  | UGP-DL18301372 |
| 94         | Battery             | UGP-DL00013681 |



| <b>No.</b> | <b>Item</b>           | <b>Code</b>                                |
|------------|-----------------------|--------------------------------------------|
| 95         | freezer shelf         | UGP-DL222501280                            |
| 96         | Screw cover           | UGP-DL27501363                             |
| 97         | Heat Shield           | UGP-DL18501044                             |
| 98         | Big brush             | UGP-DL22001096                             |
| 99         | Small brush           | UGP-DL27501318                             |
| M1         | UGP-9RV-SSO-C         | CO Detector 9RV SSO-C                      |
| M2         | QMP-Interrupter Block | Interrupter Block for CO-Monitored fridges |
| M3         | QMP-Mosfet-C          | Mosfet Assembly - for CO-Monitored Models  |

### UNIQUE UGP 8C Parts List

| No.  | Item                     | Code           |
|------|--------------------------|----------------|
| 1    | Cabinet                  | N/A            |
| 2    | Heat sink                | UGP-DL22502524 |
| 3    | Drip tray                | UGP-DL22501294 |
| 4    | Drainage hose            | UGP-DL00009088 |
| 5    | Drip pan                 | UGP-DL10001155 |
| 6    | Hinge cover              | UGP-DL22001080 |
| 7    | Screw                    | UGP-DL00003005 |
| 8    | Screw cap                | UGP-DL10001193 |
| 9    | Top hinge                | UGP-DL22001079 |
| 10   | Top hinge cover          | UGP-DL22001074 |
| 11   | Freezer door - White     | UGP-DL90000008 |
| 11   | Freezer door – Black     | UGP-DL90000009 |
| 11   | Freezer door - Stainless | UGP-DL90000010 |
| 12   | Fridge door – White      | UGP-DL90000005 |
| 12   | Fridge door – Black      | UGP-DL90000006 |
| 12   | Fridge Door - Stainless  | UGP-DL90000007 |
| 13   | Washer                   | UGP-DL22502504 |
| 14   | Screw                    | UGP-DL27501364 |
| 15   | Middle hinge             | UGP-DL27501359 |
| 16   | Washer                   | UGP-DL08501152 |
| 17   | Bottle rack              | UGP-DL22502213 |
| 18   | Freezer balcony          | UGP-DL22501145 |
| 19   | Fridge balcony           | UGP-DL22502240 |
| 20   | Egg tray                 | UGP-DL10001104 |
| 21   | Ice tray                 | UGP-DL03001003 |
| 22   | Bottle holder            | UGP-DL18301133 |
| 23   | Crisper                  | UGP-DL22501289 |
| 23-1 | Top wearing plate        | UGP-DL27501311 |
| 24   | Bottom hinge             | UGP-DL18301080 |
| 25   | Bottom hinge pin         | UGP-DL08501180 |
| 26   | Spring washer            | UGP-DL00003018 |
| 27   | Screw                    | UGP-DL00003005 |
| 28   | Control panel            | UGP-DL27501358 |
| 29   | Control label            | UGP-DL27501241 |
| 30   | Lamp                     | UGP-DL00013598 |
| 31   | Foot                     | UGP-DL00010053 |

| <b>No.</b> | <b>Item</b>           | <b>Code</b>    |
|------------|-----------------------|----------------|
| 32         | Screw                 | UGP-DL00003068 |
| 33         | Castor                | UGP-DL14502072 |
| 34         | Top shelf             | UGP-DL22501296 |
| 35         | Middle shelf          | UGP-DL22501297 |
| 36         | Bottom shelf          | UGP-DL27501306 |
| 36-1       | Ventilation hood      | UGP-DL27501310 |
| 36-2       | Bottom wearing plate  | UGP-DL27501312 |
| 37         | Cooling unit          | UGP-DL22503082 |
| 38         | Heater                | UGP-DL27501293 |
| 39         | Glass wool            | UGP-DL00006007 |
| 40         | Insulation cover      | UGP-DL22501136 |
| 40-1       | cover cap             | UGP-DL22501173 |
| 41         | Baffle                | UGP-DL27501007 |
| 42         | Baffle holder         | UGP-DL22502227 |
| 43         | Checkpoint assembly   | UGP-DL27501365 |
| 43-1       | Screw                 | UGP-DL10001474 |
| 43-2       | Test valve body       | UGP-DL10001498 |
| 43-3       | Connector             | UGP-DL10001501 |
| 43-4       | Washer                | UGP-DL00009306 |
| 43-5       | Screw                 | UGP-DL22501206 |
| 44         | Injector              | UGP-DL10001470 |
| 45         | Burner assembly       | UGP-DL10001496 |
| 45-1       | Burner bracket        | UGP-DL22502507 |
| 45-2       | Burner tube support   | UGP-DL10001476 |
| 46         | Burner tube           | UGP-DL10001142 |
| 47         | Burner cover assembly | UGP-DL22502506 |
| 47-1       | Burner cover          | UGP-DL22502508 |
| 48         | Cover window          | UGP-DL10001186 |
| 49         | Seal ring             | UGP-DL10001136 |
| 50         | Nut                   | UGP-DL10001113 |
| 51         | Outlet Gas Pipe       | UGP-DL22501300 |
| 52         | Inlet Gas Pipe        | UGP-DL22501303 |
| 53         | Gas connector         | UGP-DL10001267 |
| 54         | Nut                   | UGP-DL00003075 |
| 55         | Connector bracket     | UGP-DL10001096 |
| 56         | Electrode             | UGP-DL27501257 |
| 57         | Gas inlet cap         | UGP-DL22001160 |

| <b>No.</b> | <b>Item</b>         | <b>Code</b>    |
|------------|---------------------|----------------|
| 58         | Flame indicator     | UGP-DL18301013 |
| 59         | Bracket             | UGP-DL27501355 |
| 60         | Balcony spacer      | UGP-DL22502241 |
| 61         | Connector           | UGP-DL10001114 |
| 62         | Thermostat          | UGP-DL18301115 |
| 63         | Nut                 | UGP-DL18301029 |
| 64         | Connector           | UGP-DL10001115 |
| 65         | Safety valve        | UGP-DL18301005 |
| 66         | Connector           | UGP-DL22001180 |
| 67         | Thermocouple        | UGP-DL10001349 |
| 68         | Thermostat bracket  | UGP-DL18301012 |
| 69         | Power cord holder   | UGP-DL28801267 |
| 70         | Rotary switch       | UGP-DL10001213 |
| 71         | Bracket             | UGP-DL10001271 |
| 73         | Knob                | UGP-DL27501362 |
| 74         | Thermostat Wire     | UGP-DL27501292 |
| 75         | Thermocouple Wire   | UGP-DL10001350 |
| 76         | Front bottom        | UGP-DL27501328 |
| 77         | Rear bottom         | UGP-DL27501329 |
| 78         | Connector           | UGP-DL10001116 |
| 79         | Spring              | UGP-DL10001145 |
| 80         | Button              | UGP-DL18301034 |
| 81         | Power cord          | UGP-DL10001252 |
| 82         | Grounding wire      | UGP-DL10001056 |
| 83         | Lamp box            | UGP-DL04001634 |
| 84         | Lamp board          | UGP-DL27501160 |
| 85         | Lamp cover          | UGP-DL04001633 |
| 86         | Lamp box bottom     | UGP-DL04001632 |
| 87         | Battery             | UGP-DL22001113 |
| 88         | Battery holder      | UGP-DL27501190 |
| 89         | Battery cover       | UGP-DL27501342 |
| 90         | Lamp switch         | UGP-DL00013660 |
| 91         | Battery ignitor     | UGP-DL18301371 |
| 92         | Pulse Ignition Wire | UGP-DL22501187 |
| 93         | Push button switch  | UGP-DL18301372 |
| 94         | Battery             | UGP-DL00013681 |
| 95         | Freezer shelf       | UGP-DL22501280 |

| <b>No.</b> | <b>Item</b>           | <b>Code</b>                                |
|------------|-----------------------|--------------------------------------------|
| 96         | Screw cover           | UGP-DL27501363                             |
| 97         | Heat Shield           | UGP-DL22501209                             |
| 98         | Big brush             | UGP-DL22001096                             |
| 99         | Small brush           | UGP-DL27501318                             |
| M1         | UGP-9RV-SSO-C         | CO Detector 9RV SSO-C                      |
| M2         | QMP-Interrupter Block | Interrupter Block for CO-Monitored fridges |
| M3         | QMP-Mosfet-C          | Mosfet Assembly - for CO-Monitored Models  |

| <b>UNIQUE – UGP 10C Parts List</b> |                          |                       |
|------------------------------------|--------------------------|-----------------------|
| <b>No.</b>                         | <b>Item</b>              | <b>Code</b>           |
| 1                                  | Cabinet                  | N/A                   |
| 2                                  | Heat sink                | UGP-DL22502524        |
| 3                                  | Drip tray                | UGP-DL22501294        |
| 4                                  | Drainage hose            | UGP-DL00009088        |
| 5                                  | Drip pan                 | UGP-DL10001155        |
| 6                                  | Hinge cover              | UGP-DL22001080        |
| 7                                  | Screw                    | UGP-DL00003005        |
| 8                                  | Screw cap                | UGP-DL10001193        |
| 9                                  | Top hinge                | UGP-DL22001079        |
| 10                                 | Top hinge cover          | UGP-DL22001074        |
| 11                                 | Freezer door - White     | UGP-DL90000008        |
| 11                                 | Freezer door – Black     | UGP-DL90000009        |
| 11                                 | Freezer door - Stainless | UGP-DL90000010        |
| 12                                 | Fridge door – White      | UGP-DL90000005        |
| 12                                 | Fridge door – Black      | UGP-DL90000006        |
| 12                                 | Fridge Door - Stainless  | UGP-DL90000007        |
| 13                                 | Washer                   | UGP-DL22502504        |
| 14                                 | Screw                    | UGP-DL27501364        |
| 15                                 | Middle hinge             | UGP-DL27501359        |
| 16                                 | Washer                   | UGP-DL08501152        |
| 17                                 | Bottle rack              | UGP-DL22502213        |
| 18                                 | Freezer balcony          | UGP-DL22501145        |
| 19                                 | Fridge balcony           | UGP-DL22502240        |
| 20                                 | Egg tray                 | UGP-DL10001104        |
| 21                                 | Ice tray                 | UGP-DL03001003        |
| 22                                 | Bottle holder            | UGP-DL18301133        |
| 23                                 | Crisper                  | <i>UGP-DL27501330</i> |
| 23-1                               | Top wearing plate        | <i>UGP-DL27501311</i> |
| 24                                 | Bottom hinge             | UGP-DL18301080        |
| 25                                 | Bottom hinge pin         | UGP-DL08501180        |
| 26                                 | Spring washer            | UGP-DL00003018        |
| 27                                 | Screw                    | UGP-DL00003005        |
| 28                                 | Control panel            | UGP-DL27501358        |
| 29                                 | Control label            | UGP-DL27501241        |
| 30                                 | Lamp                     | UGP-DL00013598        |
| 31                                 | Foot                     | UGP-DL00010053        |
| 32                                 | Screw                    | UGP-DL00003068        |
| 33                                 | Castor                   | UGP-DL14502072        |

| <b>No.</b> | <b>Item</b>          | <b>Code</b>           |
|------------|----------------------|-----------------------|
| 34         | Top shelf            | <i>UGP-DL27501306</i> |
| 35         | Middle shelf         | <i>UGP-DL27501307</i> |
| 36         | Bottom shelf         | <i>UGP-DL27501415</i> |
| 36-1       | Ventilation hood     | <i>UGP-DL27501310</i> |
| 36-2       | Bottom wearing plate | <i>UGP-DL27501312</i> |
| 37         | Cooling unit         | UGP-DL22503082        |
| 38         | Heater               | UGP-DL27501293        |
| 39         | Glass wool           | UGP-DL00006007        |
| 40         | Insulation cover     | UGP-DL22501136        |
| 40-1       | Cover cap            | <i>UGP-DL22501173</i> |
| 41         | Baffle               | UGP-DL27501007        |
| 42         | Baffle holder        | UGP-DL22502227        |
| 43         | Checkpoint assembly  | UGP-DL27501365        |
| 43-1       | Screw                | UGP-DL10001474        |
| 43-2       | Test valve body      | UGP-DL10001498        |
| 43-3       | Connector            | UGP-DL10001501        |
| 43-4       | Washer               | UGP-DL00009306        |
| 43-5       | Screw                | UGP-DL22501206        |
| 44         | Injector             | UGP-DL10001470        |
| 45         | Burner assembly      | UGP-DL10001496        |
| 45-1       | Burner bracket       | UGP-DL22502507        |
| 45-2       | Burner tube support  | UGP-DL10001476        |
| 46         | Burner tube          | UGP-DL10001142        |
| 47         | Burner cover assy.   | UGP-DL22502506        |
| 47-1       | Burner cover         | UGP-DL22502508        |
| 48         | Cover window         | UGP-DL10001186        |
| 49         | Seal ring            | UGP-DL10001136        |
| 50         | Nut                  | UGP-DL10001113        |
| 51         | Outlet Gas Pipe      | <i>UGP-DL27501360</i> |
| 52         | Inlet Gas Pipe       | <i>UGP-DL27501382</i> |
| 53         | Gas connector        | UGP-DL10001267        |
| 54         | Nut                  | UGP-DL00003075        |
| 55         | Connector bracket    | UGP-DL10001096        |
| 56         | Electrode            | <i>UGP-DL27501257</i> |
| 57         | Gas inlet cap        | UGP-DL22001160        |
| 58         | Flame indicator      | UGP-DL18301013        |
| 59         | Bracket              | <i>UGP-DL27501355</i> |
| 60         | Balcony spacer       | UGP-DL22502241        |
| 61         | Connector            | UGP-DL10001114        |
| 62         | Thermostat           | UGP-DL18301115        |

| <b>No.</b> | <b>Item</b>           | <b>Code</b>                                |
|------------|-----------------------|--------------------------------------------|
| 63         | Nut                   | UGP-DL18301029                             |
| 64         | Connector             | UGP-DL10001115                             |
| 65         | Safety valve          | UGP-DL18301005                             |
| 66         | Connector             | UGP-DL22001180                             |
| 67         | Thermocouple          | UGP-DL10001349                             |
| 68         | Thermostat bracket    | UGP-DL18301012                             |
| 69         | Power cord holder     | UGP-DL28801267                             |
| 70         | Rotary switch         | UGP-DL10001213                             |
| 71         | Bracket               | UGP-DL10001271                             |
| 73         | Knob                  | UGP-DL27501362                             |
| 74         | Thermostat Wire       | UGP-DL27501292                             |
| 75         | Thermocouple Wire     | UGP-DL10001350                             |
| 76         | Front bottom          | UGP-DL27501328                             |
| 77         | Rear bottom           | UGP-DL27501329                             |
| 78         | Connector             | UGP-DL10001116                             |
| 79         | Spring                | UGP-DL10001145                             |
| 80         | Button                | UGP-DL18301034                             |
| 81         | Power cord            | UGP-DL10001252                             |
| 82         | Grounding wire        | UGP-DL10001056                             |
| 83         | Lamp box              | UGP-DL04001634                             |
| 84         | Lamp board            | UGP-DL27501160                             |
| 85         | Lamp cover            | UGP-DL04001633                             |
| 86         | Lamp box bottom       | UGP-DL04001632                             |
| 87         | Battery               | UGP-DL22001113                             |
| 88         | Battery holder        | UGP-DL27501190                             |
| 89         | Battery cover         | <i>UGP-DL27501342</i>                      |
| 90         | Lamp switch           | UGP-DL00013660                             |
| 91         | Battery ignitor       | <i>UGP-DL18301371</i>                      |
| 92         | Pulse Ignition Wire   | UGP-DL22501187                             |
| 93         | Push button switch    | UGP-DL18301372                             |
| 94         | Battery               | UGP-DL00013681                             |
| 95         | Freezer shelf         | UGP-DL27501250                             |
| 96         | Screw cover           | UGP-DL27501363                             |
| 97         | Heat Shield           | UGP-DL22501209                             |
| 98         | Big brush             | UGP-DL22001096                             |
| 99         | Small brush           | UGP-DL27501318                             |
| M1         | UGP-9RV-SSO-C         | CO Detector 9RV SSO-C                      |
| M2         | QMP-Interrupter Block | Interrupter Block for CO-Monitored fridges |
| M3         | QMP-Mosfet-C          | Mosfet Assembly - for CO-Monitored Models  |



# Warranty

## **UNIQUE UGP-6C/8C/10C PROPANE REFRIGERATOR - 3 YEAR LIMITED WARRANTY**

**Unique Gas Products Ltd.** warrants that this **Unique-6/8/10** refrigerator is free from defects in material and workmanship under normal usage and service under the following terms:

1. This Warranty is made only to the first purchaser ("original purchaser") who acquires this refrigerator for his/her own use and will be honored by **Unique Gas Products Ltd.** and by the Seller.
2. Any part of this refrigerator returned to the Seller or **Unique Gas Products Ltd.**, which upon examination is determined by them to have been defective in material or workmanship, will at their option be either repaired or replaced under this warranty, without charge for materials/parts. (customer is responsible for labour).
3. The obligation to repair or replace defective parts will apply only to parts returned within one year of the date of purchase and will constitute the Sellers sole obligation under this Warranty.

The Seller will have no obligation under this warranty with respect to conditions unrelated to the material or workmanship of this refrigerator. Such unrelated conditions include without limitation:

- a) faulty installation (or venting) and damage resulting therefrom; not installed by Seller
- b) the need for normal maintenance of this refrigerator (including the cleaning of the Burner, Venturi, Orifice, Flue tubes and assurance of proper propane gas pressure);
- c) any accidents to or misuse of any part of this refrigerator and any alteration thereof by anyone other than the Seller or its authorized representative.

This **Unique 6C/8C/10C** refrigerator **must** be serviced regularly as outlined in the Owner's Manual. **Unique Gas Products Ltd.** and the seller will not be liable for direct or indirect loss of foods caused by failure in operation. In case of failure, the owner must provide proof of purchase, Model, and Serial Number to the Seller or **Unique Gas Products Ltd.**

**\*Due to remote locations, it is the customer's responsibility to bring items to dealer for review.**

**Please fill out warranty card within 30 days and mail  
back for warranty coverage**

2245 Wyecroft Road  
Oakville, Ontario, Canada, L6L 5L7  
Toll Free: 1-877-427-2266  
Ph: 905-827-6154 [www.UniqueOffGrid.com](http://www.UniqueOffGrid.com) Fax: 905-827-2027

# LIMITED WARRANTY

## UNIQUE *Model 9RV-SSO-C*

UNIQUE GAS PRODUCTS LTD. (“**Unique**”) offers you this limited warranty on your new carbon monoxide alarming device with safety shut-off, including all of its components (the **Product**). This limited warranty extends solely to the **original end-user purchaser** of this Product (the **“Buyer”**), provided your purchase was made from an authorized vendor. Transfer or resale of this Product will automatically terminate warranty coverage.

Unique warrants the enclosed Product to be free from defects in materials and workmanship under authorized use and service, as specified in the owner's manual, for a period of one (1) year from the date of purchase. During the one (1) year period commencing with the date of purchase, non-conforming Product returned to UNIQUE at Buyer’s expense and risk, will be repaired or replacement shall be made without charge, provided that: (a) the Product has not been subjected to abuse, contamination, neglect, accident, incorrect wiring not our own, improper installation or servicing, or used in violation of instructions furnished by Unique; and (b) as to any prior defects in materials or workmanship covered by this warranty, the Product has not been repaired or altered by anyone except Unique; and (c) the model number and manufacture date label has not been removed, defaced or otherwise changed; and (d) examination discloses, in the judgment of Unique, does not assume the costs of removal and/or installation of the Product or any other incidental costs of removal and/or installation of the Product or any other incidental costs which may arise as a result of any defect in material or workmanship; and (e) upon discovery of defect, Buyer shall immediately cease use of and notify Unique.

UNIQUE MAKES NO OTHER WARRANTIES, EXPRESS OR IMPLIED, EXCEPT AS REQUIRED BY LAW, AND IN NO CASE FOR A DURATION LONGER THAN THAT OF THIS WRITTEN WARRANTY, EXCEPT AS REQUIRED BY LAW, INCLUDING, BUT NOT LIMITED TO, ANY WARRANTY OF MERCHANTABILITY OR FITNESS FOR A PARTICULAR PURPOSE OR AGAINST INFRINGEMENT, OR ANY EXPRESS OR IMPLIED WARRANTY ARISING OUT OF TRADE USAGE OR OUT OF A COURSE OF DEALING OR COURSE OF PERFORMANCE. UNIQUE has not authorized any other party to extend any other warranties in connection with the sale of the Product, and will not accept responsibility for any statements, representations, or warranties made by any other person. Without limiting the generality of this section, the maximum total liability of Unique, for any claim whatsoever, under any circumstances (except where accompanied by the wilful actions, gross negligence or fraud of Unique), regardless of the cause of action and including without limitation claims for breach of contract, tort, negligence or otherwise, and the Buyer’s sole remedy therefore, shall be strictly limited to said replacement or repair of the Product.

UNIQUE SPECIFICALLY DISCLAIMS LIABILITY FOR ANY AND ALL DIRECT, INDIRECT, SPECIAL, GENERAL, INCIDENTAL, OR CONSEQUENTIAL DAMAGES, INCLUDING, BUT NOT LIMITED TO, LOSS OF PROFITS OR ANTICIPATED PROFITS ARISING OUT OF USE OF OR INABILITY TO USE THE PRODUCT.

**UNIQUE<sup>®</sup>**

© 2018 Unique Gas Products Ltd., 2245 Wyecroft Road #5, Oakville, Ontario, Canada, L6L 5L7  
[www.uniqueoffgrid.com](http://www.uniqueoffgrid.com)