

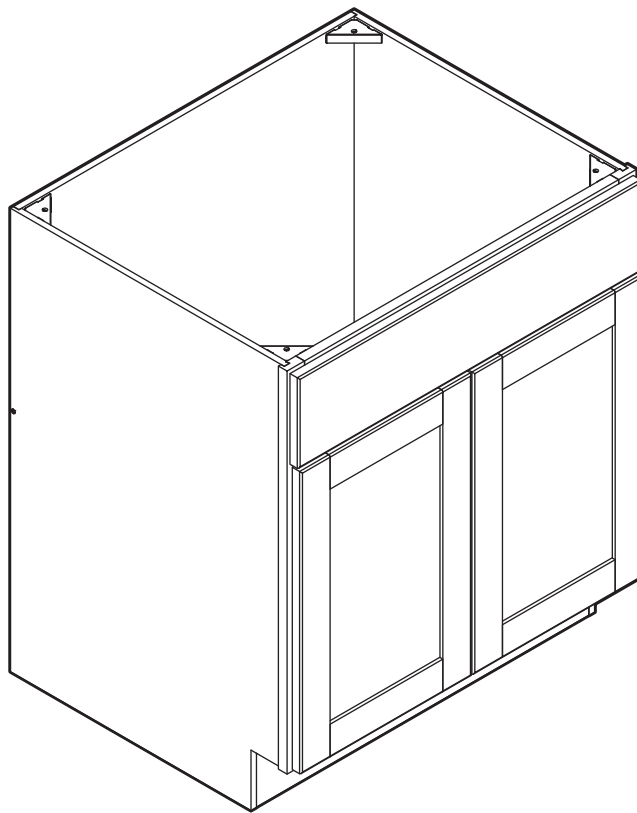
Item #1000 000 000

Model #XXXXX

HAMPTON BAY®

USE AND CARE GUIDE

SINK BASE CABINET



Questions, problems, missing parts? Before returning to the store,
call Hampton Bay Customer Service
8 a.m. - 7 p.m., EST, Monday – Friday, 9 a.m. – 6 p.m., EST, Saturday

1-855-HD-HAMPTON

HAMPTONBAY.COM

THANK YOU

We appreciate the trust and confidence you have placed in Hampton Bay through the purchase of this base cabinet. We strive to continually create quality products designed to enhance your home. Visit us online to see our full line of products available for your home improvement needs. Thank you for choosing Hampton Bay!


Table of Contents

Safety Information	2	Cabinet Assembly	5
Warranty	2	Care and Cleaning	10
Pre-Assembly	3		
Before You Begin	3		
Tools Required	3		
Hardware Included	3		
Package Contents	4		

Safety Information

Please read and understand these instructions before you begin this assembly.

CALIFORNIA RESIDENTS

 **WARNING:** This product can expose you to chemicals including Formaldehyde (GAS), which is [are] known to the State of California to cause cancer. For more information go to WWW.P65Warnings.ca.gov/products.

MINNESOTA RESIDENTS

IMPORTANT HEALTH NOTICE

SOME OF THE BUILDING MATERIALS USED IN THIS HOME (OR THESE BUILDING MATERIALS) EMIT FORMALDEHYDE. EYE, NOSE, AND THROAT IRRITATION, HEADACHE, NAUSEA AND A VARIETY OF ASTHMA-LIKE SYMPTOMS, INCLUDING SHORTNESS OF BREATH, HAVE BEEN REPORTED AS A RESULT OF FORMALDEHYDE EXPOSURE. ELDERLY PERSONS AND YOUNG CHILDREN, AS WELL AS ANYONE WITH A HISTORY OF ASTHMA, ALLERGIES, OR LUNG PROBLEMS, MAY BE AT GREATER RISK. RESEARCH IS CONTINUING ON THE POSSIBLE LONG-TERM EFFECTS OF EXPOSURE TO FORMALDEHYDE.

REDUCED VENTILATION MAY ALLOW FORMALDEHYDE AND OTHER CONTAMINANTS TO ACCUMULATE IN THE INDOOR AIR. HIGH INDOOR TEMPERATURES AND HUMIDITY RAISE FORMALDEHYDE LEVELS. WHEN A HOME IS TO BE LOCATED IN AREAS SUBJECT TO EXTREME SUMMER TEMPERATURES, AN AIR-CONDITIONING SYSTEM CAN BE USED TO CONTROL INDOOR TEMPERATURE LEVELS. OTHER MEANS OF CONTROLLED MECHANICAL VENTILATION CAN BE USED TO REDUCE LEVELS OF FORMALDEHYDE AND OTHER INDOOR AIR CONTAMINANTS.

IF YOU HAVE ANY QUESTIONS REGARDING THE HEALTH EFFECTS OF FORMALDEHYDE, CONSULT YOUR DOCTOR OR LOCAL HEALTH DEPARTMENT.

Warranty

Contact the Customer Service Team at 1-855-HD-HAMPTON or visit www.HAMPTONBAY.com.

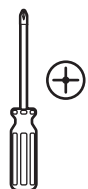
Pre-Assembly

BEFORE YOU BEGIN

Compare all parts with the Hardware Included and Package Contents sections. If any part is missing or damaged, do not assemble this product. Contact Customer Service.

Assemble the cabinet on a soft surface such as carpet or the cardboard container of this product.

TOOLS REQUIRED




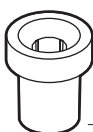
Phillips
screwdriver



Rubber
mallet

HARDWARE INCLUDED

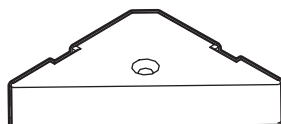
 **NOTE:** Hardware not shown to actual size.



AA



BB



CC

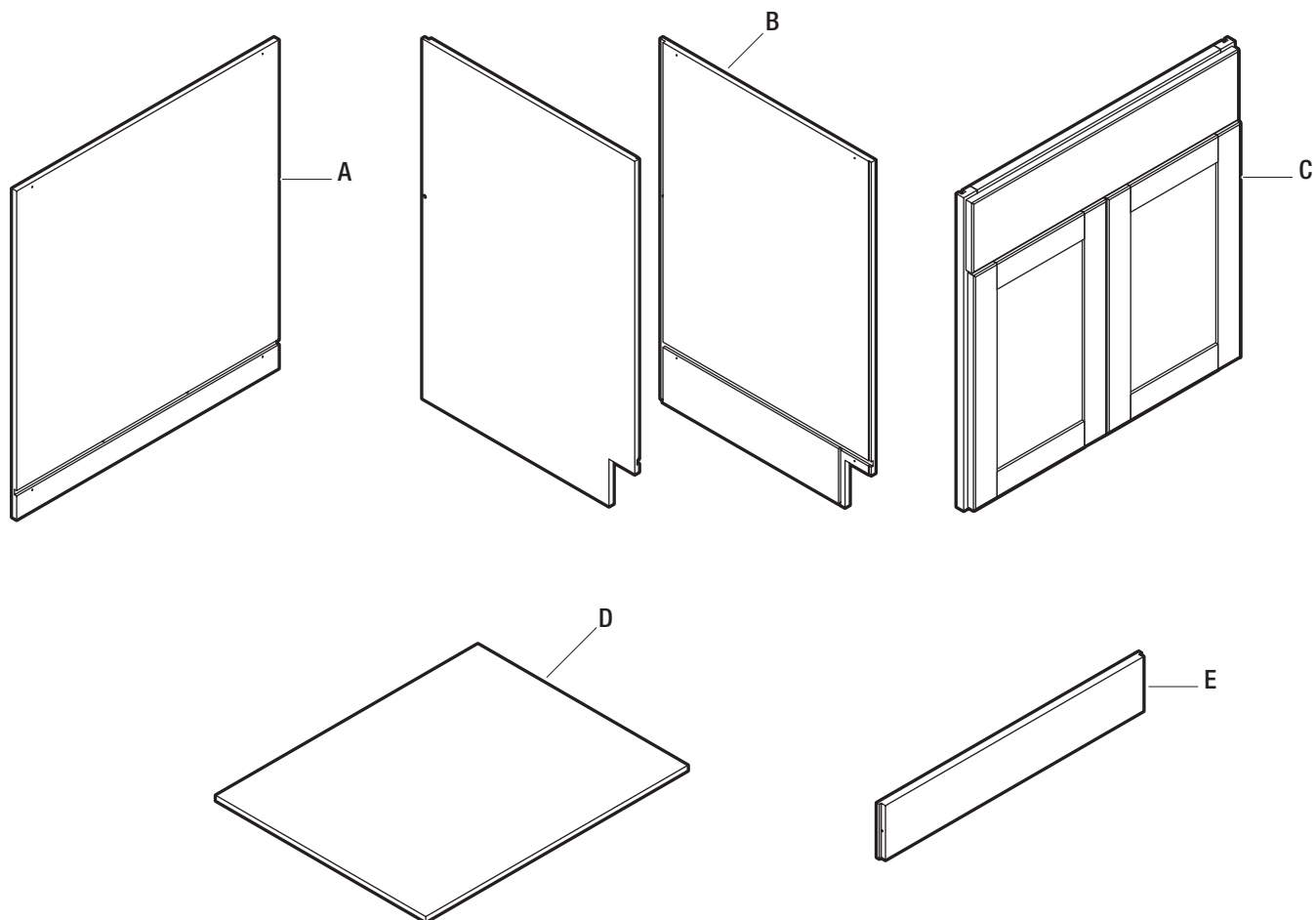


DD

Part	Description	Total Quantity	Extras
AA	Posts	17	1
BB	#8 x 1 in. Screws (yellow)	40	14
CC	Corner Locks	8	0
DD	Silicone Pads	14	10

Pre-Assembly (continued)

PACKAGE CONTENTS

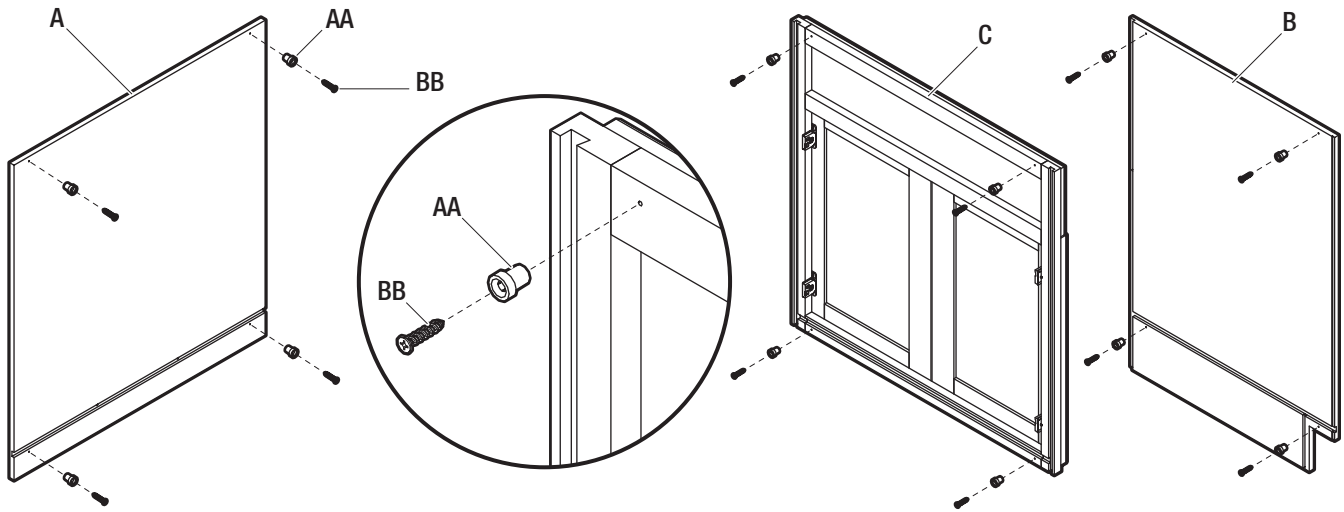


Part	Description	Quantity
A	Back Panel	1
B	Side Panels	2
C	Face Frame	1
D	Bottom Panel	1
E	Toe Kick	1

Cabinet Assembly

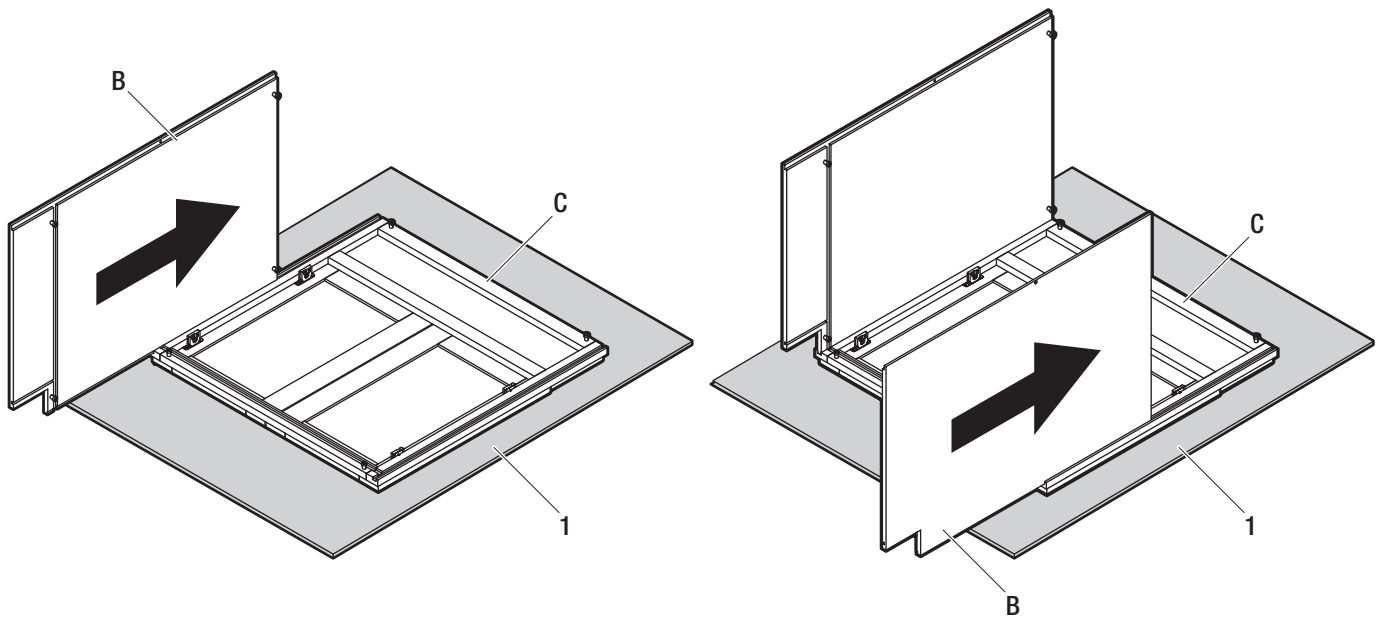
1 Attaching the posts to the panels

- Align four posts (AA) with pre-drilled holes on each of the panels and frame (A – C) and secure with four screws (BB) on each panel and frame (A – C).



2 Attaching the side panels into the face frame

- Start by placing the face frame (C) flat on a smooth surface that will not scratch or damage the face of the cabinet, such as a towel or piece of cardboard (1) from the packaging with the door facing down. Slide the two side panels (B) into the mating grooves on the face frame (C).



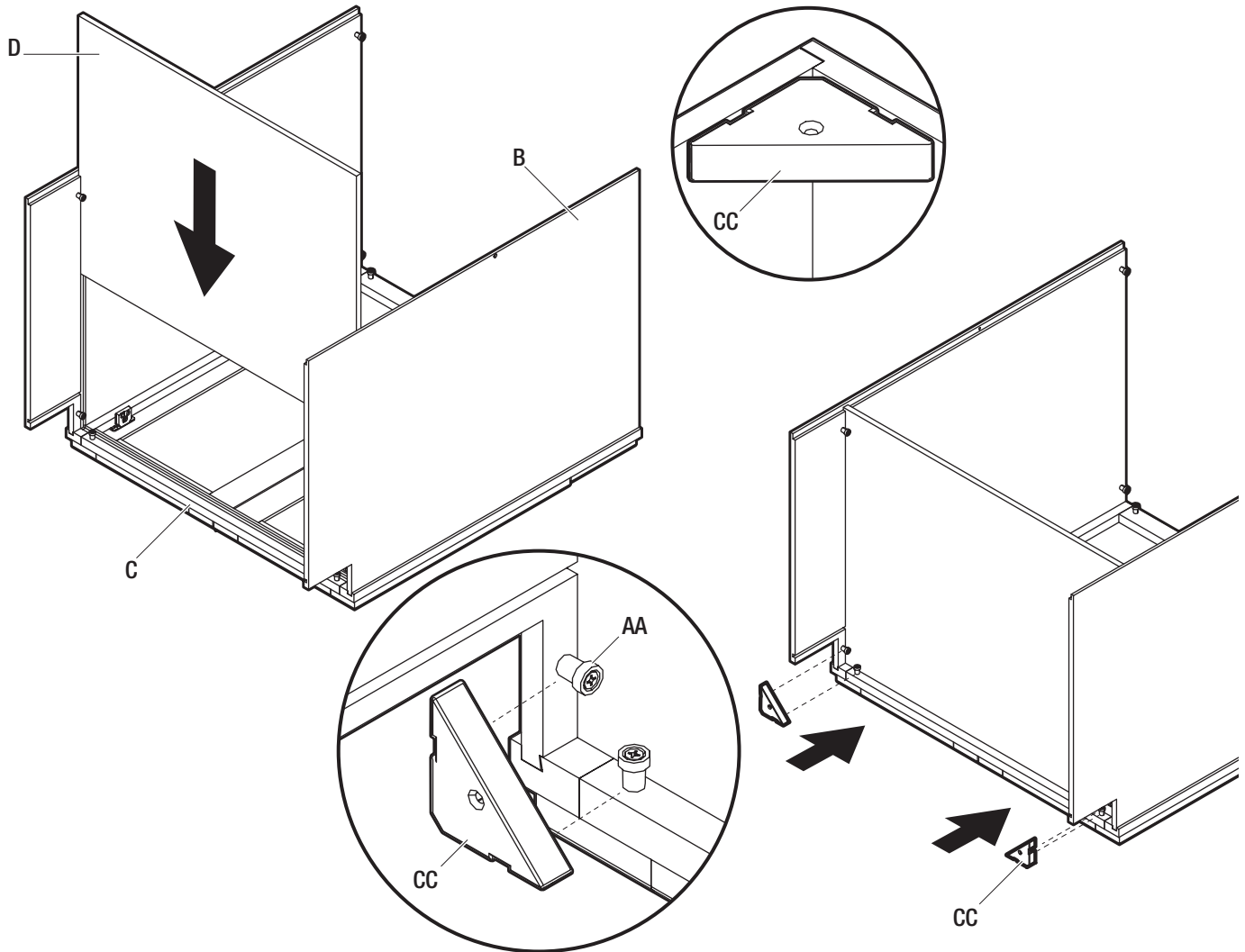
Cabinet Assembly (continued)

3 Attaching the bottom panel

- Slide the bottom panel (D) into grooves in the sides.
- Snap four corner locks (CC) over the posts to secure the face frame (C) and side panels (B) as shown. At the top of the cabinet, the smooth face of each corner lock (CC) should be facing out.



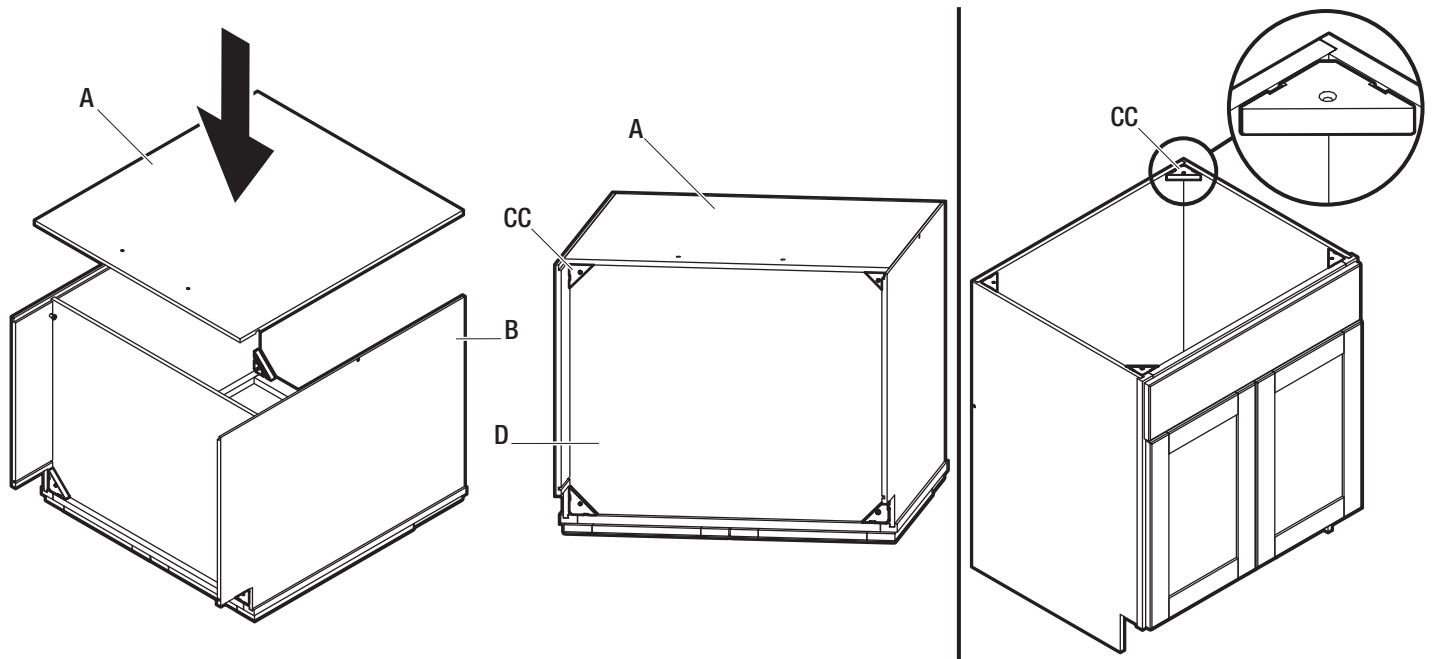
NOTE: If installing a laminate countertop, the smooth face of each corner lock (CC) should be facing the inside of the cabinet.



Cabinet Assembly (continued)

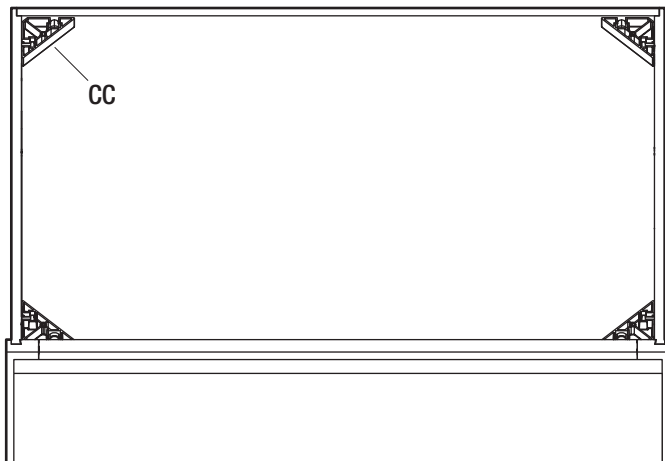
4 Attaching the back panel

- Assemble the back panel (A) and the four remaining corner locks (CC).

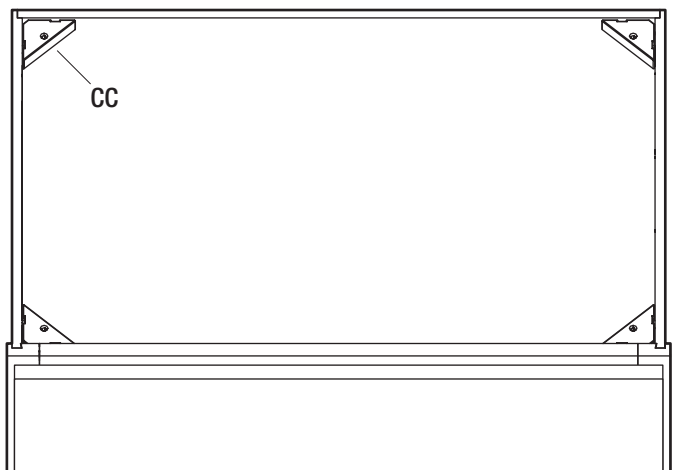


NOTE: If installing on a laminate countertop, orient the smooth face of each top corner lock (CC) in the opposite direction. Bottom corner lock assembly will be the same for all countertop types.

- If installing a laminate countertop, the top four corner locks (CC) should be oriented as shown below. From inside of the cabinet, screw through the corner locks (CC) into the bottom of the countertop to secure into place.



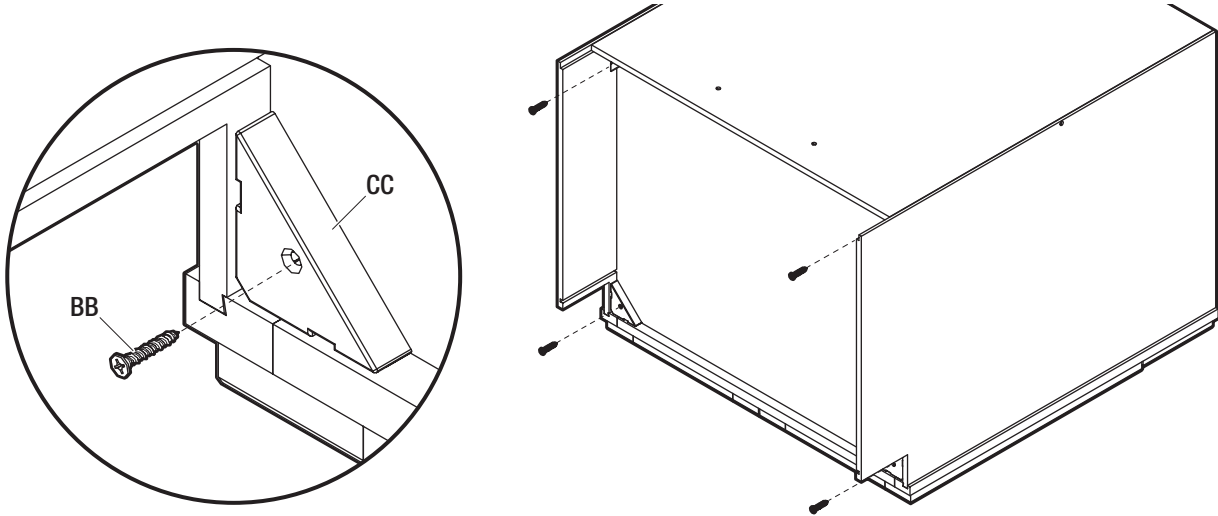
- For all other countertop types, the top four corner locks (CC) should look like this.



Cabinet Assembly (continued)

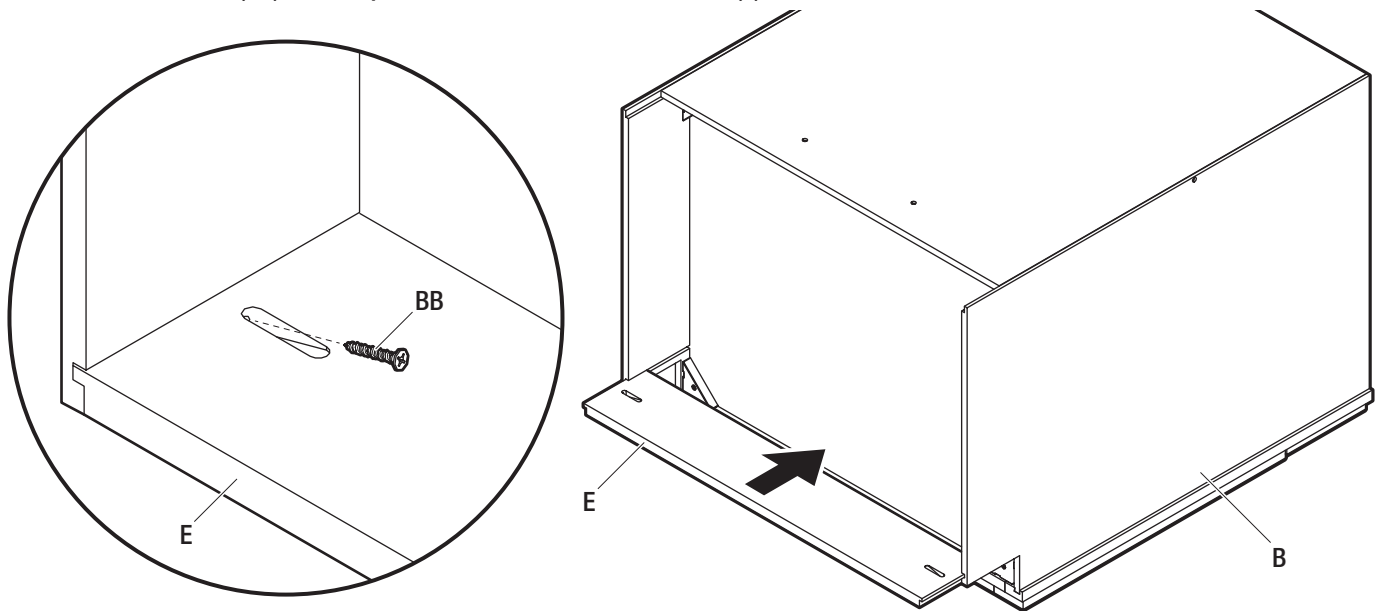
5 Securing the bottom corner locks

- Insert a screw (BB) through each hole in the bottom four corner locks (CC), and screw into the bottom panels.



6 Attaching the toe kick

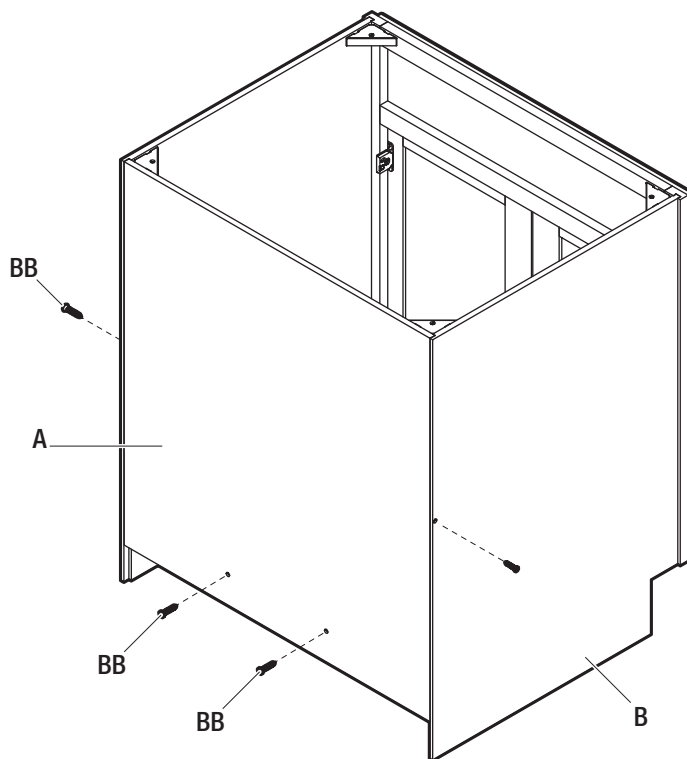
- Slide the toe kick (E) into the grooves of the side panels (B) so that it sits flush with the bottom of the cabinet.
- Insert two screws (BB) into the pocket holes to secure the toe kick (E) to the sides.



Cabinet Assembly (continued)

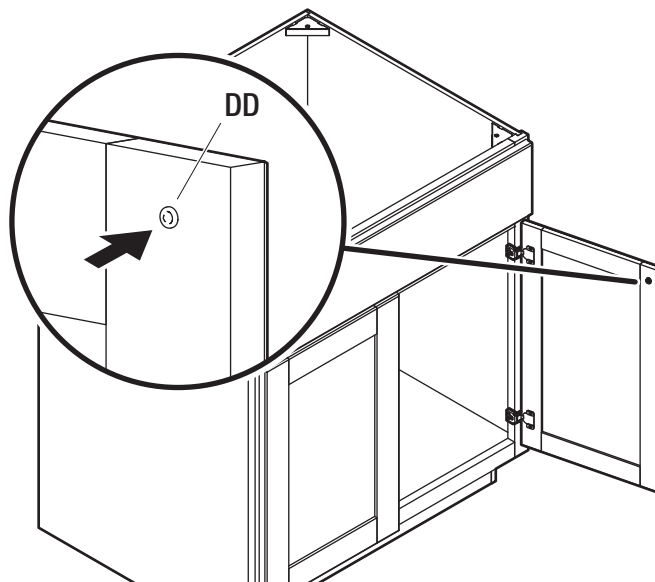
7 Securing the back and side panels

- Insert screws (BB) into countersunk holes in the back (A) and side panels (B).



8 Attaching silicone pads

- Peel and stick two silicone pads (DD) onto the inside corners of each door.



Cabinet Assembly (continued)

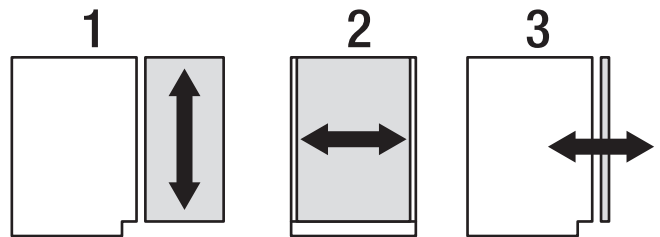
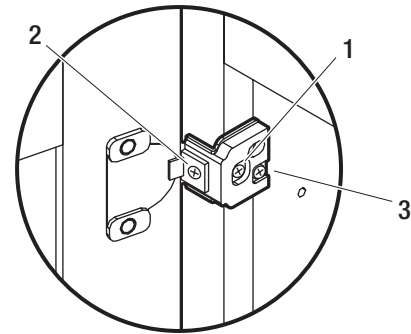
9 (OPTIONAL) Adjusting the door

- Door hinges are 6-way adjustable.
- Up or down adjustment – Loosen screw 1, align the door, and tighten screw 1.



NOTE: It is critical that you do NOT overtighten screw 1.

- Left or right adjustment – Turn screw 2 clockwise or counterclockwise.
- In or out adjustment – Turn screw 3 clockwise or counterclockwise.



Care and Cleaning

- For normal spills, a damp cloth is sufficient. Dry the surface immediately.
- Doors can be cleaned with most general purpose household cleaners.
- Do not use caustic agents and/or abrasive scrubbers, or oven cleaners.
- Cabinets can be cleaned with a damp sponge or cloth using soapy water, or most general purpose household cleaners. Do not use any abrasive cleaner or scrubbers.
- Do not allow liquids to remain on the surfaces for long periods of time.

HAMPTON BAY[®]

Questions, problems, missing parts? Before returning to the store,
call Hampton Bay Customer Service
8 a.m. – 7 p.m., EST, Monday – Friday, 9 a.m. – 6 p.m., EST, Saturday

1-855-HD-HAMPTON

HAMPTONBAY.COM

Retain this manual for future use.