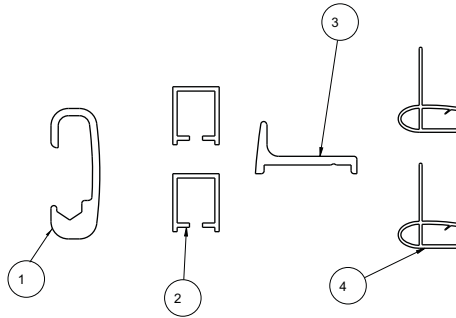


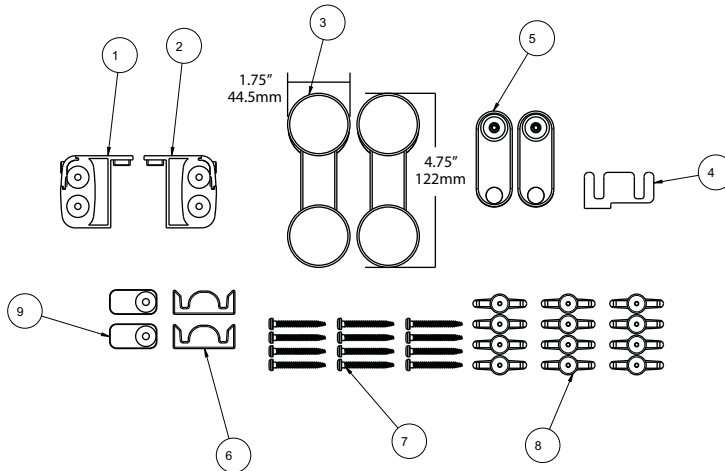
# TECHNICAL DATA

## Shower Door

## SLIDING CONTEMPORARY STYLE BATHTUB TRACK 60"



ID	DESCRIPTION	QTY	MATERIAL
1	Top Track	1	AL6463_T5
2	Roller Door Wall Jamb	2	AL6463_T5
3	Bottom Track	1	AL6061
4	Blade Seal	2	PVC



ID	DESCRIPTION	QTY	MATERIAL
1	Mounting Bracket	1	Zinc_Die_Cast
2	Mounting Bracket	1	Zinc_Die_Cast
3	Outside Roller	2	Zinc
4	Center Guide Roller Door	1	Nylon
5	Inside Roller Assy	2	Zinc
6	Contemporary Door Bumper	2	PVC
7	#8-18 X 1.5" Long Phillips Head	12	SS
8	Toggle Wall Anchor	12	Nylon
9	Bumper	2	PVC

**MATERIALS:**

Anodized Aluminum Excursions (Track) and Zinc Die Cast (Mounting Brackets). Bronze Finish is Powder Coated.

**INSTALLATION:**

Detailed Instructions and Hardware Included for Easy Installation.

**UNIQUE FEATURE:**

Constructed of Corrosion Resistant Anodized Aluminum.  
Fits Bathtub Doors with Openings of 50-1/8" - 58-1/2"(127cm-149cm), with a Height of 58-3/4" (149cm).

**WARRANTY:**

5 Year Limited Warranty.



see what Delta can do™