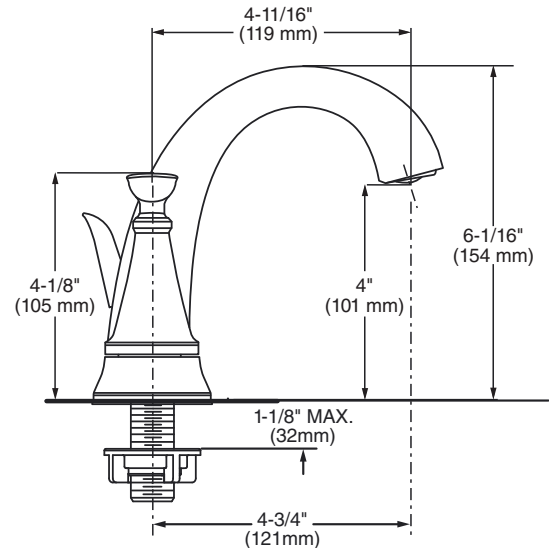
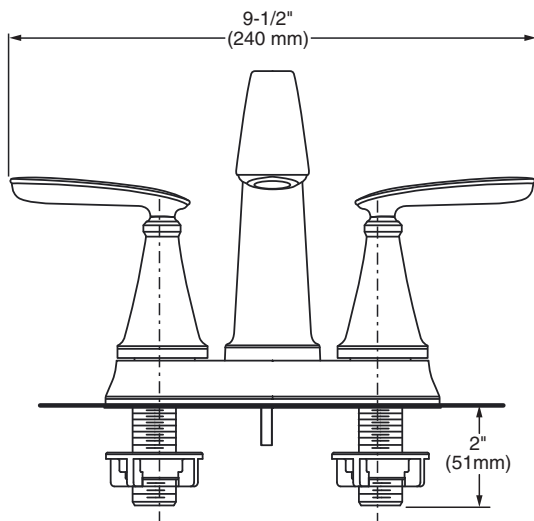




MODEL NUMBER:

☐ 8039201.295 Brushed Nickel finish.



Beautiful & Tough
*TARNISH, SCRATCH AND
CORROSION RESISTANT FINISH*

Reliable For Life

Guaranteed Not To Leak
CERAMIC DISC VALVE

Reliable For Life

Durable Solid Feel
METAL CONSTRUCTION

Reliable For Life

Effortless elegance, leading-edge style and thoughtful innovation combine to make American Standard faucets the perfect choice for those who are unwilling to sacrifice style for performance.

GENERAL DESCRIPTION:

Centerset lavatory faucet on 4" centers. 1/4 turn washerless ceramic disc valve cartridges. Durable non-metal water ways with one-half inch male inlet shanks. Metal body and metal lever handles. Drain body with 1-1/4 inch (32 mm) tail piece. 1.2 gpm/4.5 L/min. maximum flow rate.

PRODUCT FEATURES:

- Durable - Easy to clean.
- Ceramic Disc Valve Cartridges: Assures a lifetime of smooth handle operation and drip-free performance.
- Lead Free: Faucet contains ≤0.25% total lead content by weighted average.

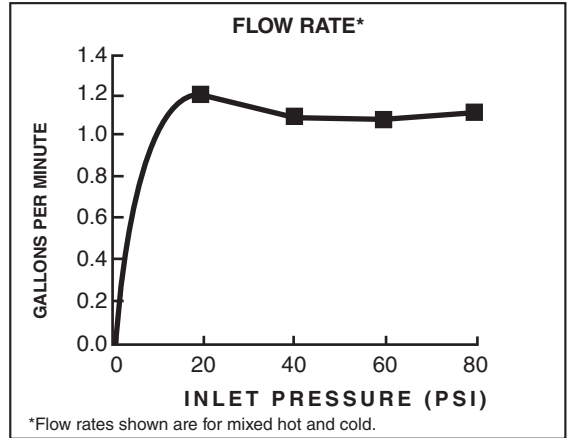
SUGGESTED SPECIFICATION:

Dual control centerset bath faucet shall feature metal spout and metal lever handles. Shall also feature 1/4 turn washerless ceramic disc valve cartridges. Shall also feature a non-metal drain body. Fitting shall be American Standard Model # 8039201.295.


CODES AND STANDARDS

These products meet or exceed the following codes and standards:

- ANSI A117.1**
- ASME A112.18.1**
- CSA B125.1**
- NSF 61/Section 9**
- NSF 372**



Product Number	Description
8039201.295	Centerset lavatory. Metal lever handles. Pop-up drain. Brushed Nickel finish.

 Meets the American Disabilities Act Guidelines
ANSI A117.1 Requirements for the physically challenged.