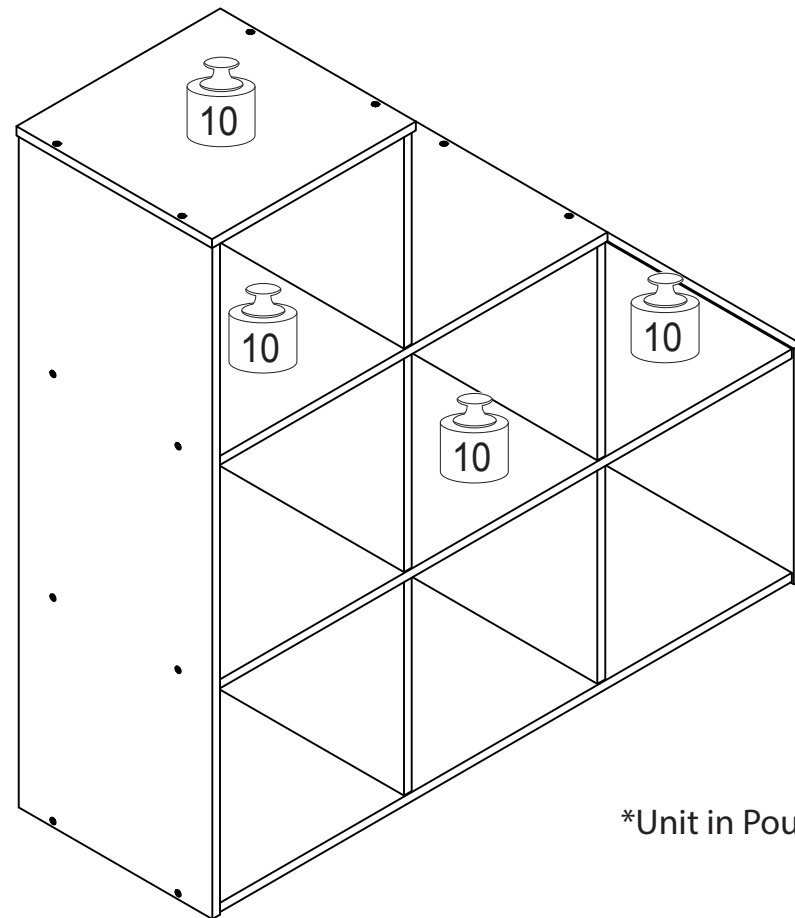


Recommended Maximum Weight



*Unit in Pound(lbs)

WARNING:

>This unit has been designed to support the maximum loads shown. Exceeding these load limits could cause sagging, instability, product collapse, and/or serious injury.

>DO NOT allow children to climb on unit.

>Put heavier items on lower shelves.

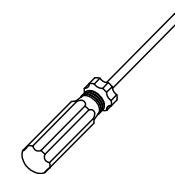


00:30

Approx. 30 minutes



Recomm. 1 Person

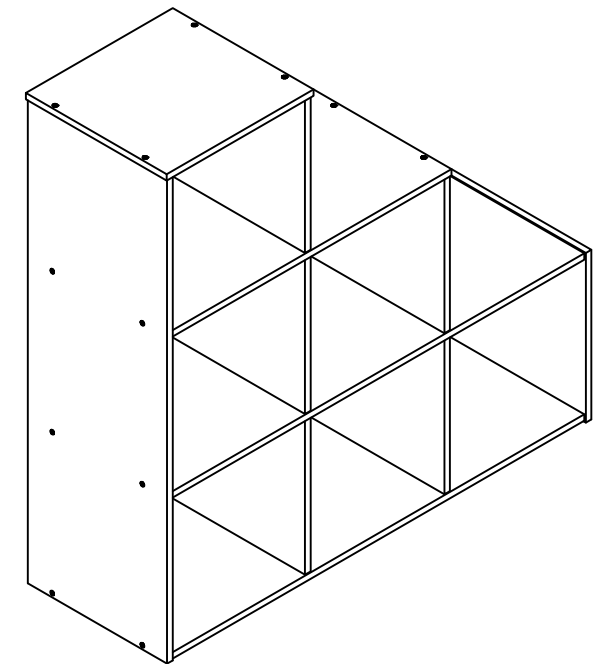


Tools Required

Assembly Instruction

Furinno 3 - 2 - 1 Cube Cabinet

MODEL : **17070**







Customer Support

NEED HELP? For replacement requests or product inquiries, please contact our Customer Service Team by emailing us at support@furinno.com. Thank you for selecting Furinno!

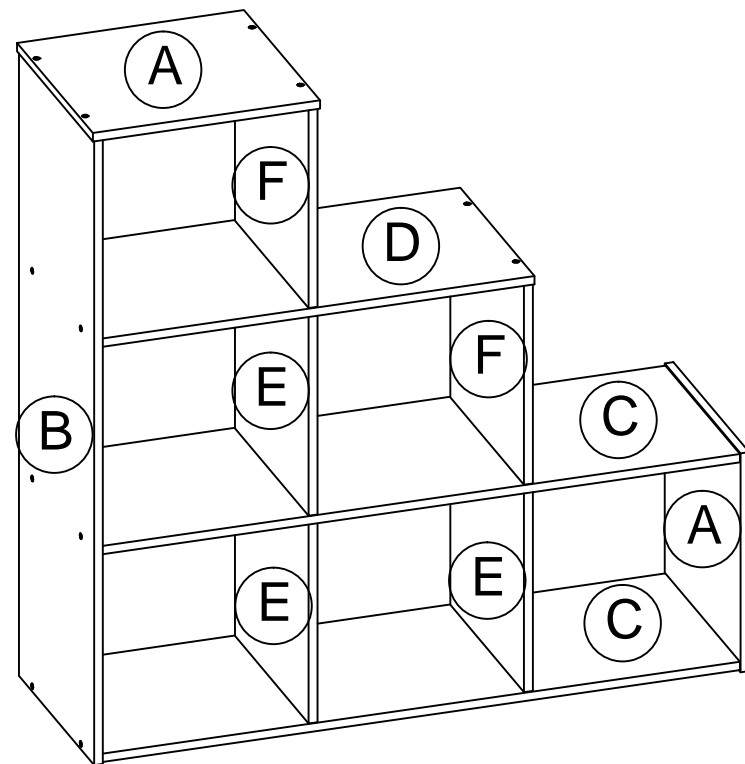
www.furinno.com



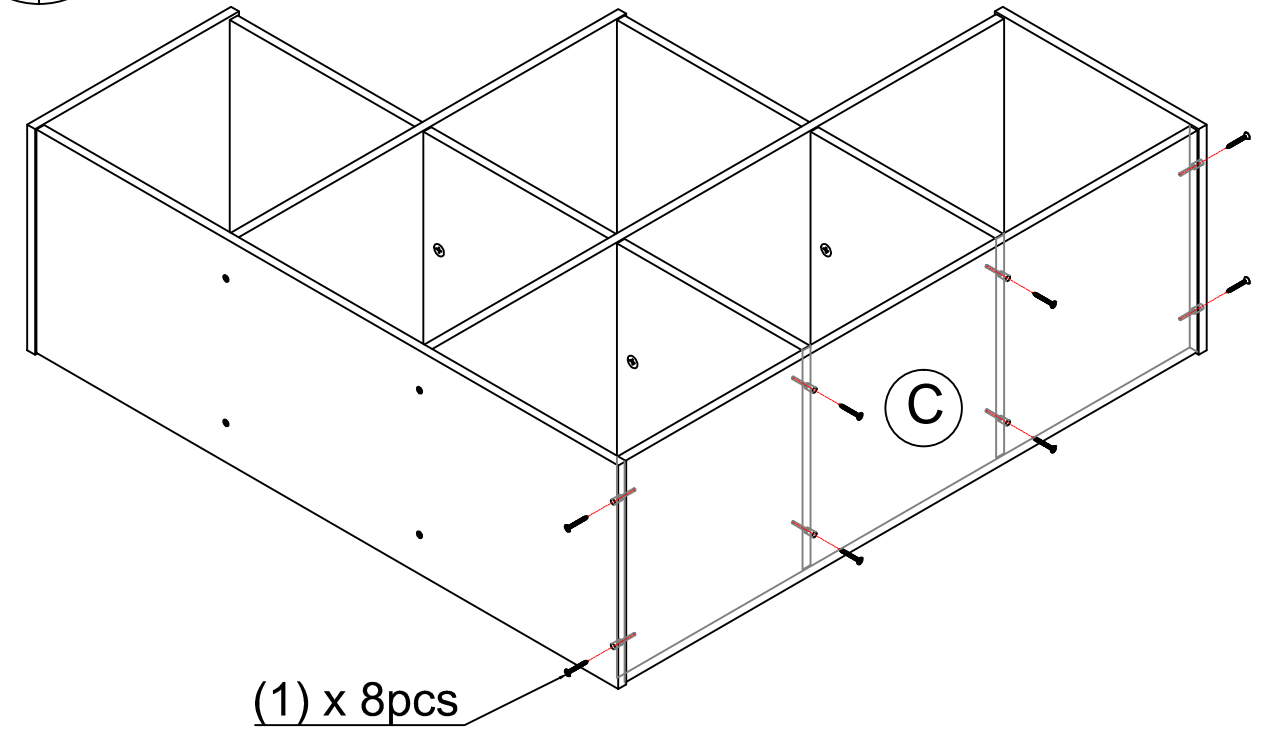
HARDWARE & PARTS LIST

NO	HARDWARE LIST	QTY
1	SCREW 	26pcs
2	CAM-LOCK SCREW 	3pcs
3	CAM-LOCK NUT 	3pcs
4	STICKER 	20pcs

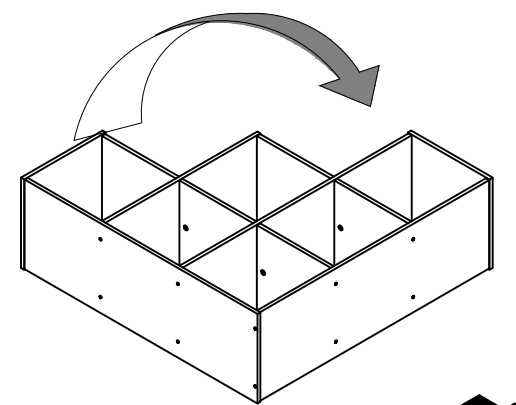
NO	PARTS LIST	QTY
A	TOP & RIGHT SIDE PANEL	2pcs
B	LEFT SIDE PANEL	1pc
C	BOTTOM PANEL	2pcs
D	CENTER SHELF PANEL	1pc
E	CENTER PANEL 1	3pcs
F	CENTER PANEL 2	2pcs



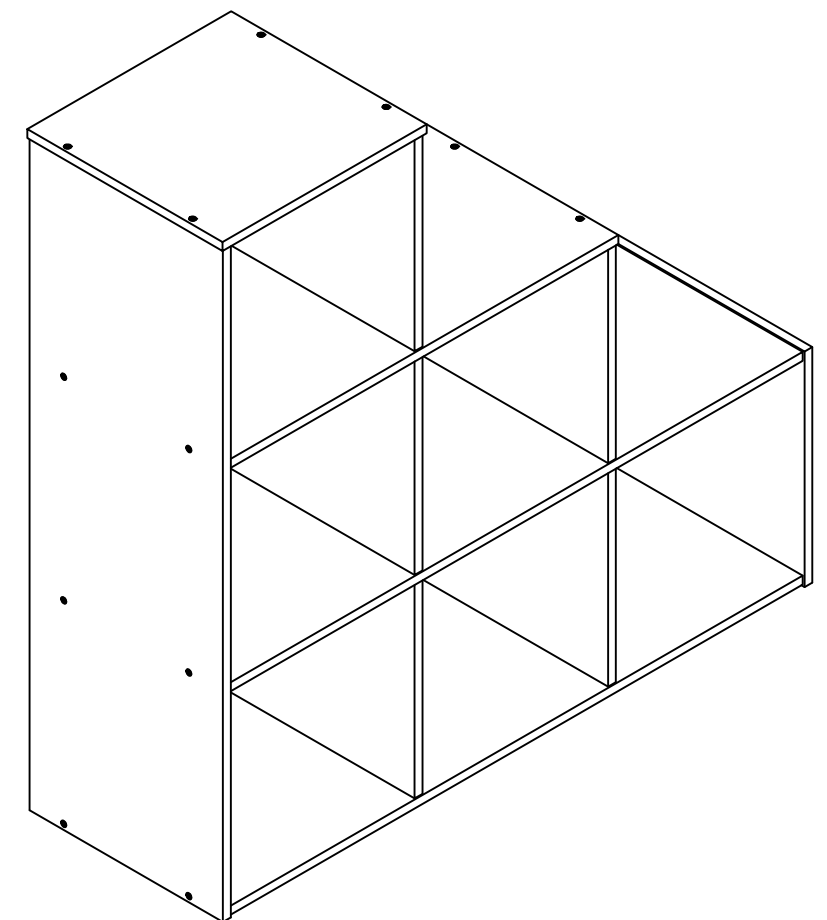
9



TURN 90°



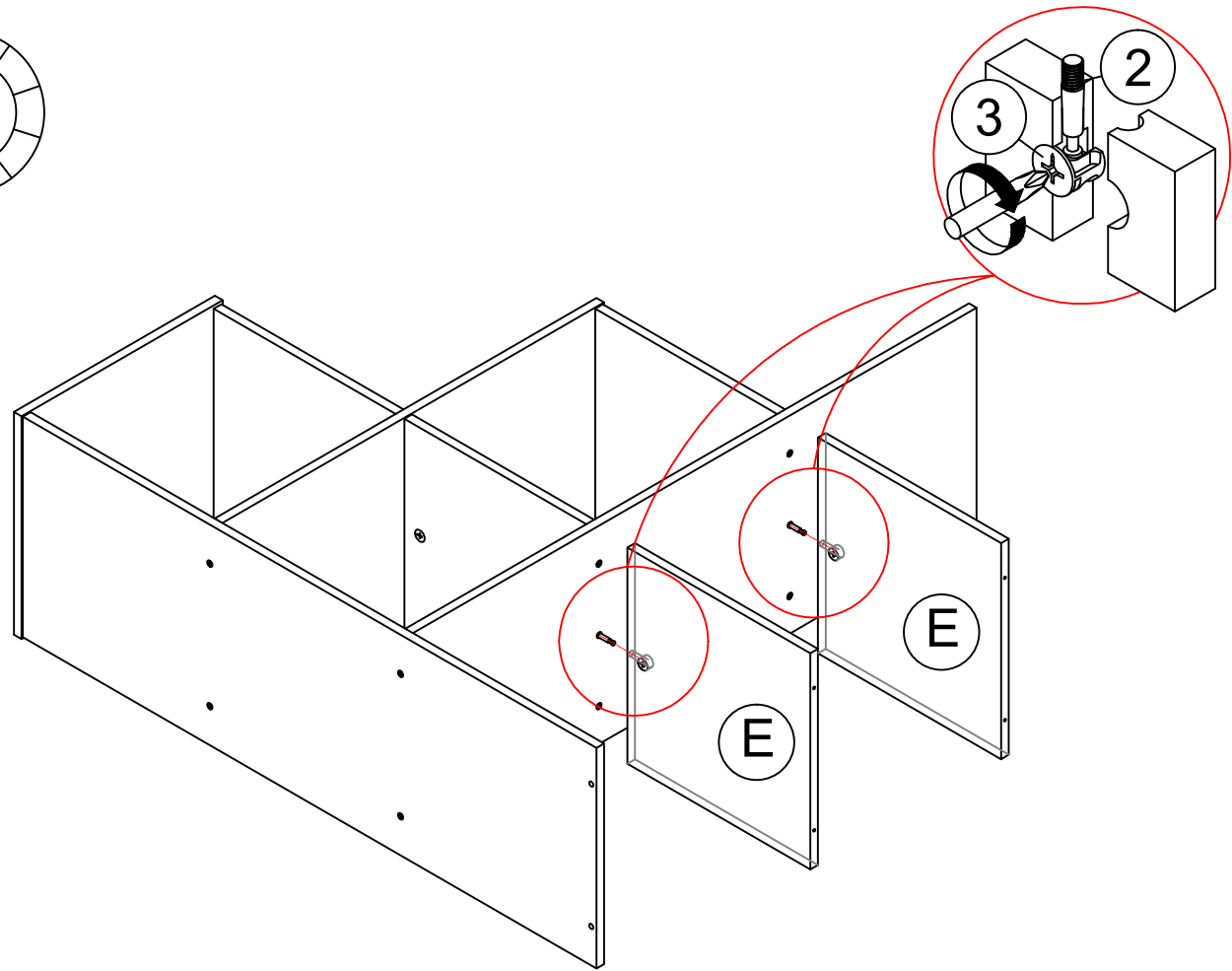
10



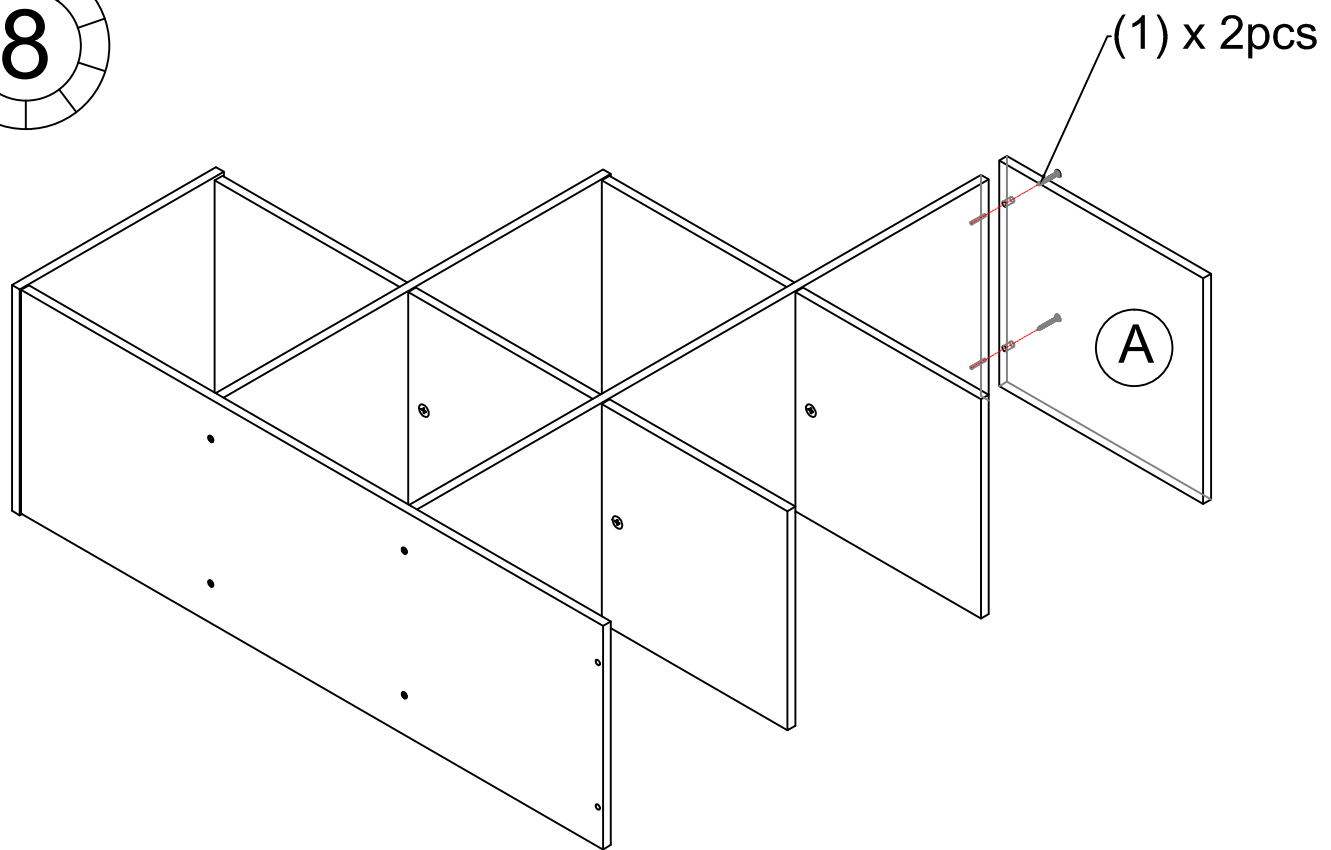
USEFUL HINTS BEFORE YOU START:

1. Read each step carefully before starting.
2. It is important that each step is performed in correct order to avoid difficulties.
3. Identify, sort and count the parts before assembly.
4. Assemble your furniture on packaging cardboard to prevent scratch or damage.
5. Clean the product with mild cleanser using soft damped cloth. Do not use harsh or abrasive cleanser.
6. Using incompatible hardware might cause damage to product.

7



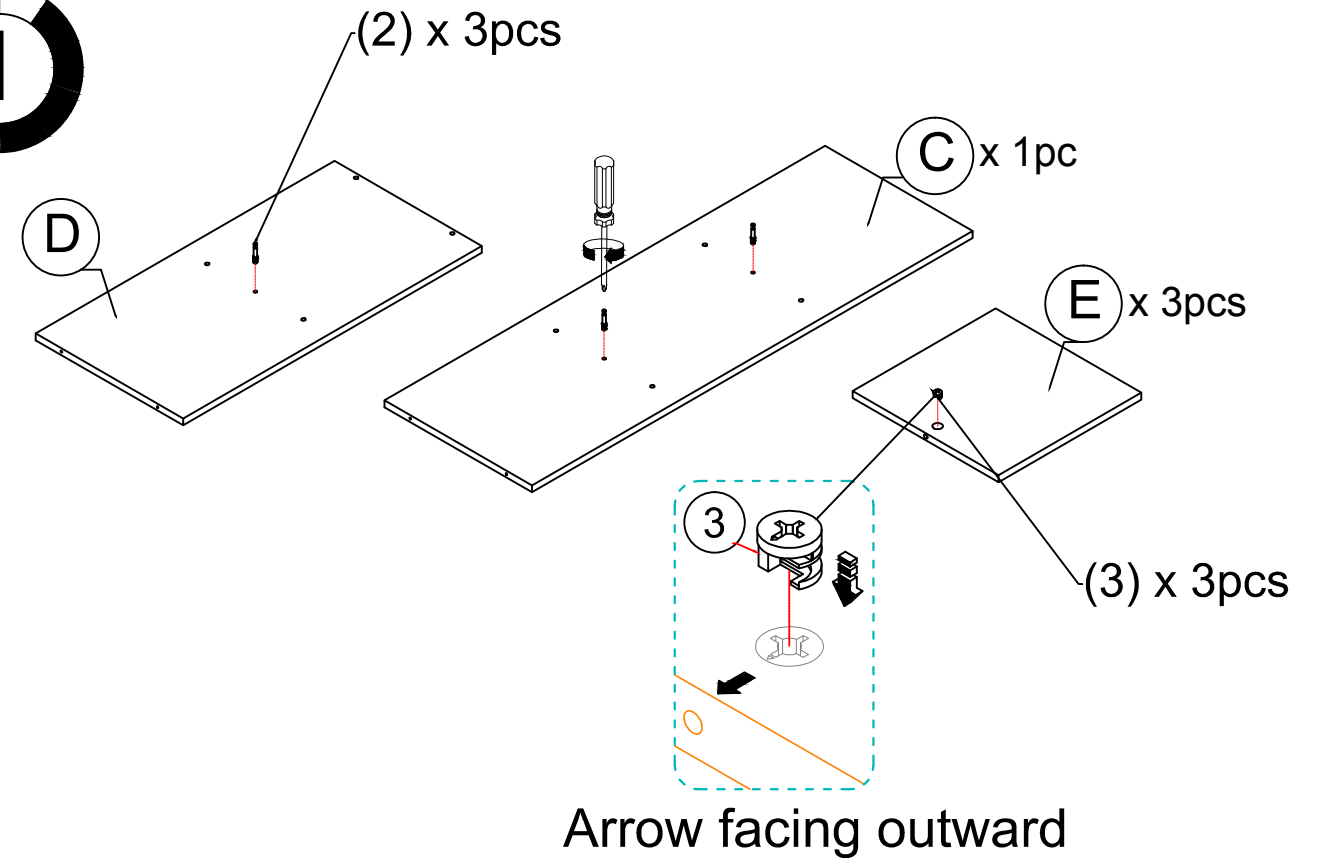
8



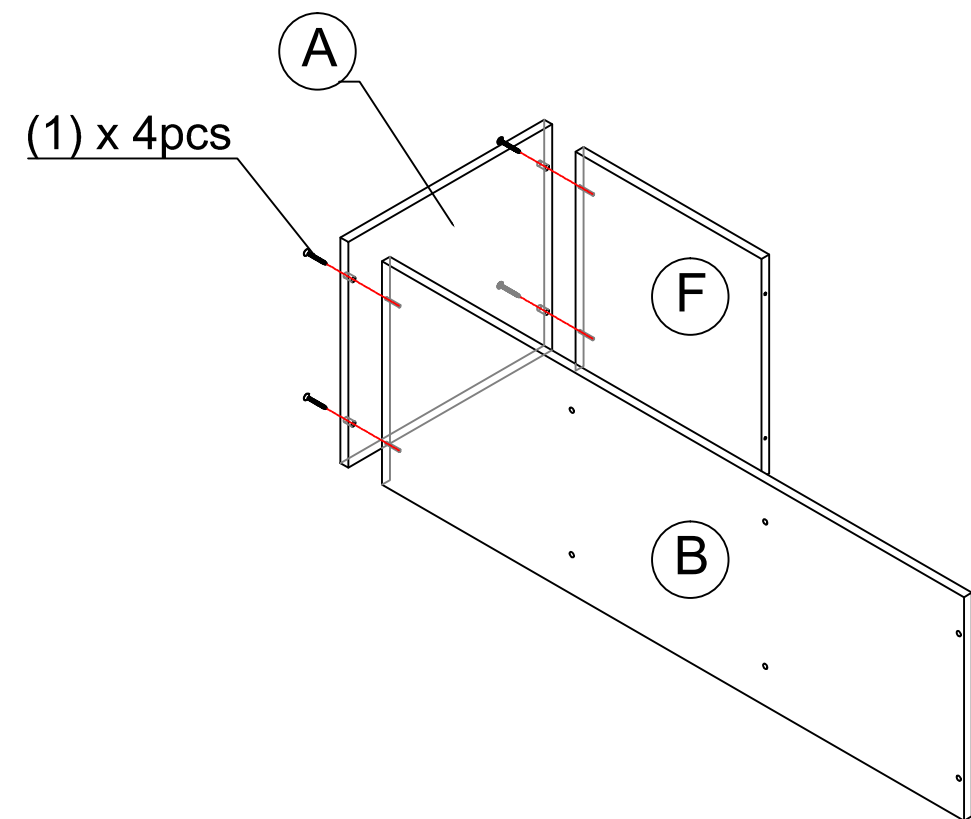
ASSEMBLY INSTRUCTIONS

BEFORE YOU BEGIN, PLEASE READ ASSEMBLY INSTRUCTION CAREFULLY, FOLLOW THEM STEP BY STEP.

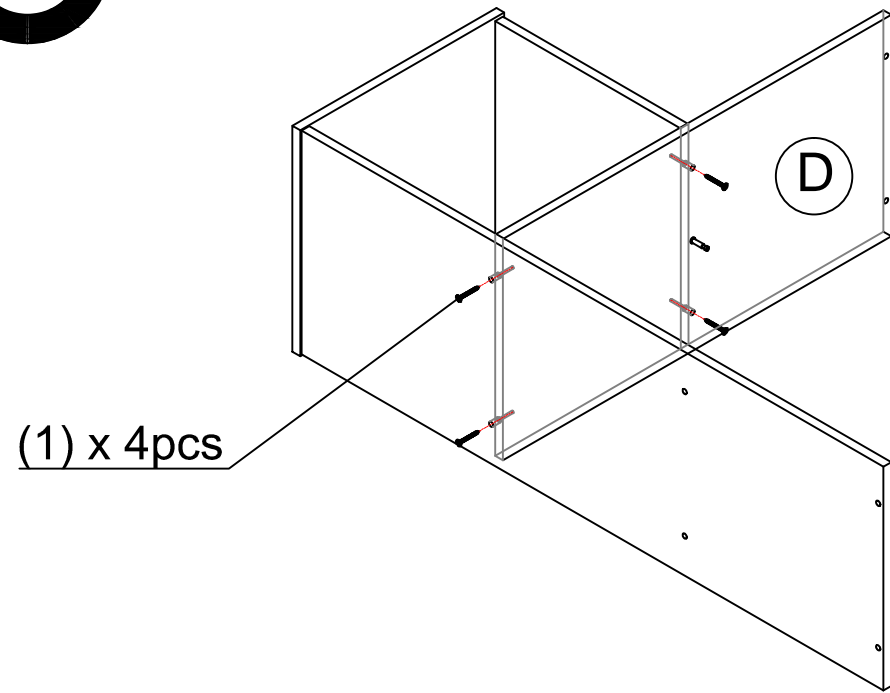
1



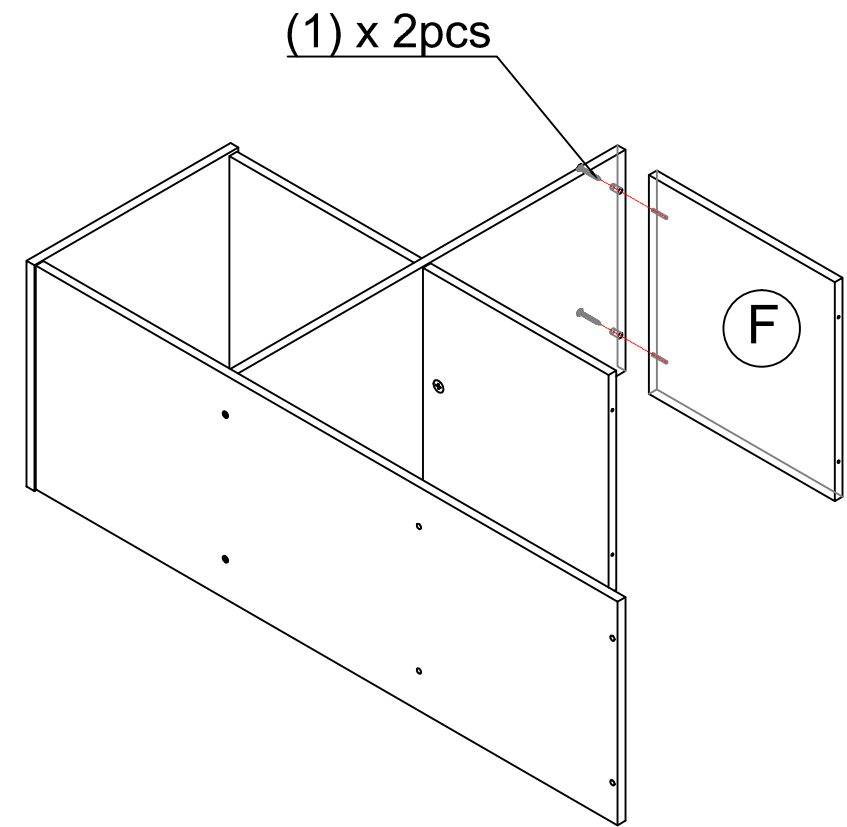
2



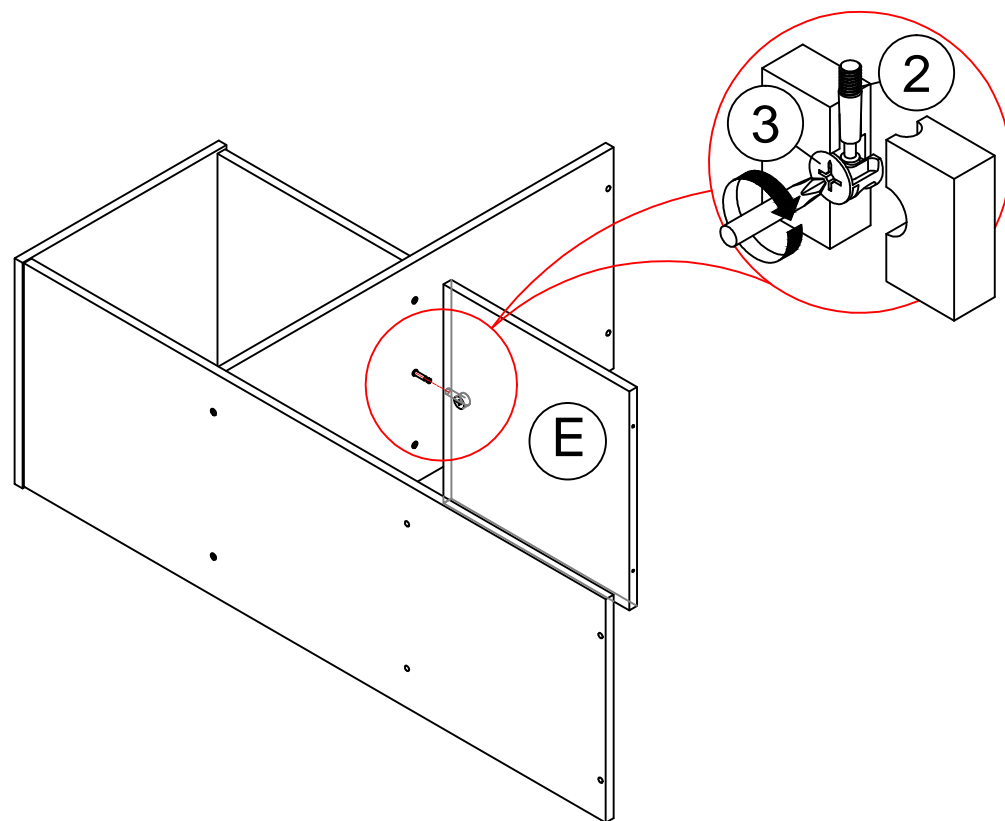
3



5



4



6

