

17 & 20kW¹ Standby Generator



Briggs & Stratton[®] The Smart Choice

Reliable back-up power for added peace of mind. Guard against losses due to power outages with a Briggs & Stratton Standby Generator.



Parts • Labor • Travel
Limited
Warranty⁴



New Upgraded Control System

- New AVR optimizes generator performance with tighter voltage control
- LCD display that displays multi-line text and graphics
- Default exercise cycle setting of 16 seconds
- Low speed exercise available to save fuel and reduce noise
- Monitors cold temperatures to avoid moisture buildup in engine oil
- Cleaner power with improved frequency regulation

Designed for Easy Installation & Maintenance

- Approved for installation as close as 18" to a building²
- Hinged roof and removable side panels for better service access to the engine and alternator
- Controller, battery charger, and AVR can be replaced separately
- External on/off switch located on back of enclosure

Commercial Vanguard[®] Engine

- Easy conversion between natural gas (NG) and liquid propane vapor (LPV) during installation
- Advanced debris management keeping engine clean and cool for enhanced durability and performance
- Dynamically balanced crankshaft minimized engine noise and vibration

Charging System

- Independent battery charger
- Optimizes battery life with a 3-stage battery charger (bulk, absorption, and float stage)

Corrosion Resistant Enclosure & Base

- Made with automotive grade galvalume steel or aluminum to resist rust
- Powder-coated paint for years of protection against chips and abrasions
- Certified to withstand hurricane-force winds up to 175mph⁵

Briggs & Stratton[®] Full Synthetic Generator Oil

- Shields the engine from low temperature sludge buildup and high temperature deposits
- Reduces engine wear, scoring and abrasion

Compatible with Symphony[®] II Power Management System

- Customizable to your home's needs
- Automatically balances the power of your home's electrical load including high wattage items like air conditioning units and electric ovens
- Offers whole house power with a more affordable home generator
- Compatible transfer switches and modules sold separately

Generator Set Rating

Model	Enclosure Type	Voltage	Phase ³	Hz	Circuit Breaker Amps	Liquid Propane Vapor		Natural Gas		Limited Warranty ⁴	
						LPV kW ¹	LPV Amps	NG kW ¹	NG Amps	Parts, Labor, Travel	
17kW¹	040610	Steel	120/240	1	60	80	17	70.8	15.3	63.7	5 Year
20kW¹	040586	Steel	120/240	1	60	100	20	83.3	18	75.5	5 Year
20kW¹	040588	Aluminum	120/240	1	60	100	20	83.3	18	75.5	5 Year

¹ This generator is certified in accordance with UL (Underwriters Laboratories) 2200 (stationary engine generator assemblies) and CSA (Canadian Standards Association) standard C22.2 No. 100-14 (motors and generators).
² The installation manual contains specific instructions related to generator placement in addition to NFPA 37, including the requirement that carbon monoxide detectors be installed and maintained in your home.
³ Single phase units are rated at 1.0 power factor and three phase units are rated at 0.8 power factor.
⁴ See operator's manual or BRIGGSandSTRATTON.com for complete warranty details.
⁵ Up to 175 mph, when installed in accordance with the installation manual.



Engine Specifications

Engine		Lubrication	
Engine Brand	Vanguard	Oil Capacity (L / qt)	2.3 / 2.46
Engine Speed (RPM)	3600	Low Pressure Switch	Included
Engine Fuel	Liquid Propane Vapor (LPV) or Natural Gas (NG)	Lubrication System	Full Pressure
Engine Cylinder Configuration	OHV	Oil	Briggs & Stratton 5W30 Full Synthetic
Number of Cylinders	2	Alternator Specs	
Displacement (L / Ci)	0.993 / 60.60	Manufacturer	Briggs & Stratton
Compression Ratio	9:7:1	Type	Self-Excited, 4-Lead
Governor Type	Electronic	Voltage Regulator	Automatic
Frequency Regulation	+/- 0.3 Hz (0.5%)	Insulation	Class F
Valves	OHV with Hardened Seats	Peak Motor Starting kVA	17kW - 39 / 20kW - 41
Ignition System	Fixed Timing Magnetron® Electric Ignition	Controller Features	
Starter Motor Rating Voltage	12 Volt	Generator Sensing	Single phase voltage monitoring
Battery Required	12 Volt, Group BCI 26 or 51, 540 CCA Minimum	LCD Display	Displays multi-line text and graphics
High Temperature Switch	Included	Fault Display	Provides up to 39 detailed fault codes
Dura-Bore Cast Iron Cylinder Sleeve	Included	Exercise Cycle	Six exercise length options Default: Start and run for 16 seconds; Abort exercise below 40° F (internal temperature)

Operations

Fuel Consumption ²				Sound Rating At 7 Meters		
	Full Load	1/2 Load	No Load			
17kW ¹	BTU / hr	NG - 248,000 LPV - 295,000	NG - 170,000 LPV - 185,000	NG - 99,000 LPV - 72,000	Low Idle Mode	64 dBA ⁴
	ft³ / hr	NG - 248 LPV - 118	NG - 170 LPV - 74	NG - 99 LPV - 40	No Load	67 dBA ⁴
	m³ / hr	NG - 7.02 LPV - 3.34	NG - 4.81 LPV - 2.10	NG - 2.80 LPV - 1.13		
	g / hr	LPV - 3.19	LPV - 2.00	LPV - 1.08		
20kW ¹	BTU / hr	NG - 260,000 LPV - 337,500	NG - 187,000 LPV - 207,500	NG - 99,000 LPV - 100,000		
	ft³ / hr	NG - 260 LPV - 135	NG - 187 LPV - 83	NG - 99 LPV - 40		
	m³ / hr	NG - 7.36 LPV - 3.82	NG - 5.30 LPV - 2.35	NG - 2.80 LPV - 1.13		
	g / hr	LPV - 3.65	LPV - 2.24	LPV - 1.08		



Parts • Labor • Travel Limited Warranty³

Unlike some other standby generator manufacturers, our warranty covers **parts, labor AND travel for the full length of the warranty** with no start-up costs!

¹ This generator is certified in accordance with UL (Underwriters Laboratories) 2200 (stationary engine generator assemblies) and CSA (Canadian Standards Association) standard C22.2 No. 100-14 (motors and generators).

² Fuel consumption rates are estimated based on normal operating conditions at 1/2 load. Generator operation may be greatly affected by elevation and the cycling operation of multiple electrical appliances – fuel flow rates may vary depending on these factors.

³ See operator's manual or BRIGGSandSTRATTON.com for complete warranty details.

⁴ Lowest no-load measurement per ISO 3744. Sound level measurement at other locations around generator may be different depending upon installation configuration.



Additional Information

Operations

Engine Warm Up (sec)	20 seconds after all settable delays
Engine Cool Down (min)	5
Response Time (sec)	Immediate after engine warm up

Weight and Dimensions

	17kW¹	20kW¹
Assembled Weight (lbs / kg)	471 / 214	Steel - 489 / 222 Aluminum - 440 / 200
Overall Dimensions (in / mm)	50.5 x 33.8 x 30.6 1283 x 859 x 777	50.5 x 33.8 x 30.6 1283 x 859 x 777
Packaged Weight (lbs / kg)	616 / 279	Steel - 634 / 288 Aluminum - 580 / 263
Packaged Dimensions (in / mm)	68.1 x 41 x 39.9 / 1730 x 1041 x 1013	68.1 x 41 x 39.9 / 1730 x 1041 x 1013

Enclosure Material Galvanneal Steel or Aluminum with Corrosion Resistant Paint

Available Transfer Switches

071100	100 Amp
071150	150 Amp
071200	200 Amp
071071	Symphony® II 100 Amp
071070	Symphony® II 150 Amp
071068	Symphony® II 200 Amp
071057	Symphony® II Dual 200 Amp

Certifications

CARB Compliant*

FCC Part 15 Class B / CAN ICES - 003 (B)

cUL Listed to CSA 22.2 No. 100-14

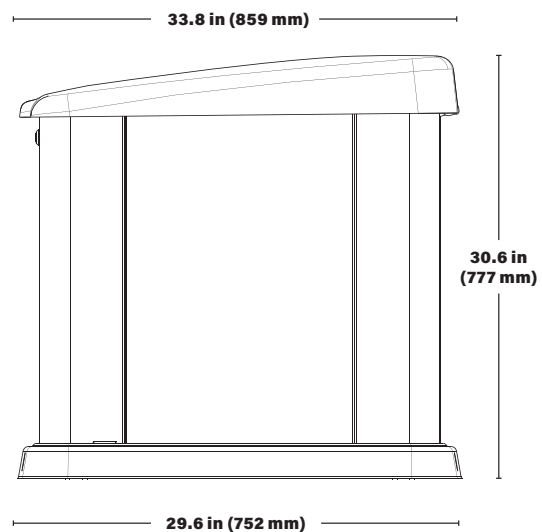
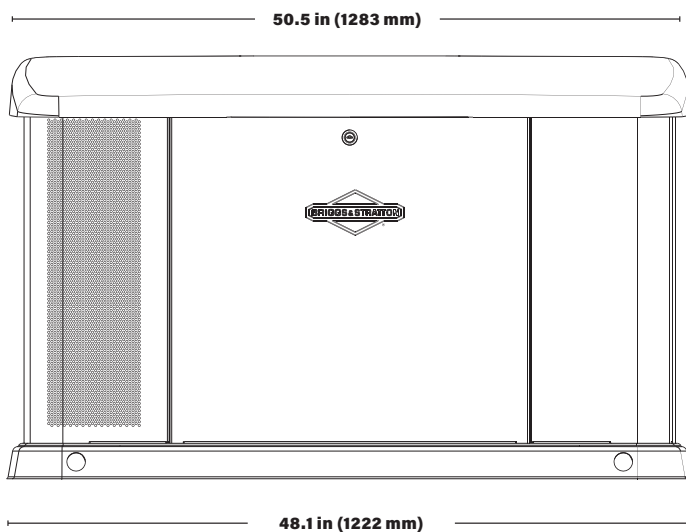
UL 2200 Listed

EPA Certified Fuel System

Complies with NFPA 37 4.1.4.1.2

Available Accessories

Maintenance Kit	6036
Cold Weather Kit	6567
E-Stop Kit	6491
Power Management Low Voltage Module	071052, 071053
Power Management High Voltage Module	071051
Generator Status LED Kit	6535
Battery Warmer	6578
InfoHub Universal	6574



* CARB does not regulate emergency standby generators outputting less than 50 HP. Only the EPA standards apply.

¹ This generator is rated in accordance with UL (Underwriters Laboratories) 2200 (stationary engine generator assemblies) and CSA (Canadian Standards Association) standard C22.2 No. 100-14 (motor and generators).



17 & 20kW¹ Standby Generator



Support every step of the way

Need help? Visit powernow.com

Complete the web form and a local dealer will contact you to answer questions on our generators, transfer switches and accessories.

¹ This generator is certified in accordance with UL (Underwriters Laboratories) 2200 (stationary engine generator assemblies) and CSA (Canadian Standards Association) standard C22.2 No. 100-14 (motors and generators).

Briggs & Stratton has a policy of continuous product improvement and reserves the right to modify its specifications at any time and without prior notice.

Not for Prime Power or use where standby systems are legally required, for serious life safety or health hazards, or where lack of power hampers rescue of fire-fighting operations.

BS1154 - 9/19

BRIGGS & STRATTON CORPORATION
POST OFFICE BOX 702
MILWAUKEE, WI 53201 USA

Copyright ©2019. All rights reserved.



YOU.POWERED.