



**LUBANN READY-TO-ASSEMBLE RUSTIC
KNOTTY ALDER BARN DOORS**



Thank you for purchasing LUBANN barn doors. Key features:

- Made in the US with wood grown in the US.
- American hardwood knotty alder graded and inspected by The National Hardwood Lumber Association (NHHLA)
- Each door is unique and embodiment of natural rustic appeal and American farmhouse style.
- Easy D.I.Y products for your home improvement projects
- Can be customized to meet specific needs.
- Finish the door with stains or paints to match your home decor

Contact Us:

LUBANN is a trademark owned by Valley BLVD Trading and Investment Co.,LTD. Please check contents before assembly. If any items are missing or damaged, please contact us directly for customer services & supports. We will save you time by correcting any problems directly for you.

Business Phone: 909-445-0404

Email: lubannus@gmail.com

www.lubannus.com

Precautions and Warnings

- Follow all manufacturers' instructions.
- Use proper and safe equipment and precautions when assembling and installing a barn door.
- Use sharp tools with care to avoid damage to wood surfaces.
- Use caution when tightening screws to avoid stripping the screw holes.
- Moving an assembled door can be awkward and could cause physical injury or product damage; we recommend the help of a second person.

CALIFORNIA PROPOSITION 65 WARNING

- **WARNING:** Drilling, sawing, sanding or machining wood products can expose you to wood dust, a substance known to the State of California to cause cancer. Avoid inhaling wood dust or use a dust mask or other safeguards for personal protection. For more information go to www.P65Warnings.ca.gov/wood

Parts:

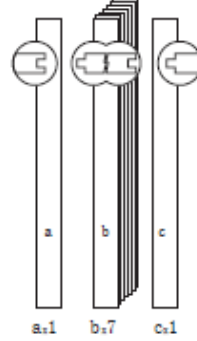
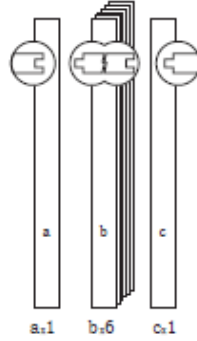
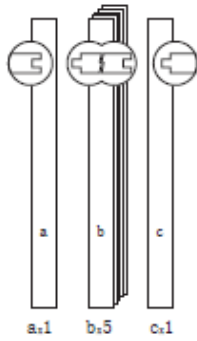
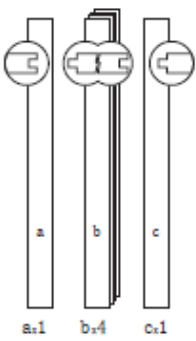
Door Slab

□ 28 x 84 inch

□ 30 x 84 inch

□ 36 x 84 inch

□ 42 x 84 inch

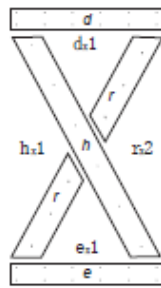
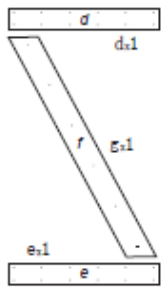
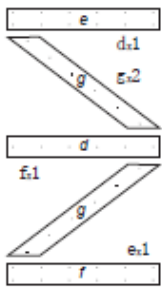


Overlay

□ M

□ Z

□ X



Screws 

Tools Required (not provided):



* Urban style (paneled) barn doors have two additional stile boards for the back side.

* For paneled barn doors with stiles, a nail gun, 23G pin nails and wood glue are recommended.

Before Assembly

LUBANN Wooden Barn doors have unique rustic appearances coming from the following natural characters of alder wood.

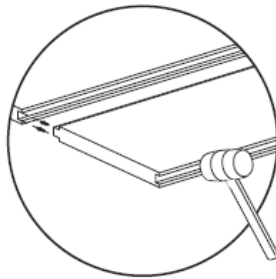
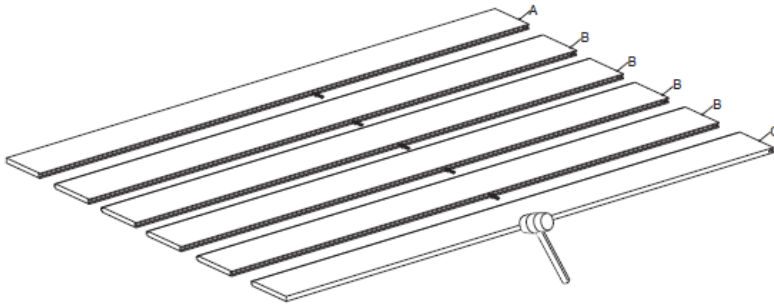
- Open and closed knots sizes will vary from pinhole knots to over an inch wide open knots
- Bark Pockets - bark that is partly or completely enclosed in the board
- Checking - surfaced stress cracks going across the grain mainly caused by seasoning
- Shake - separation along the grain



If any door plank(s) arrive(s) showing warping, bowing or cupping that may cause the door assembly unnecessarily difficult, please contact us immediately and we will replace warped and damaged pieces.

Quick Assembly Guide

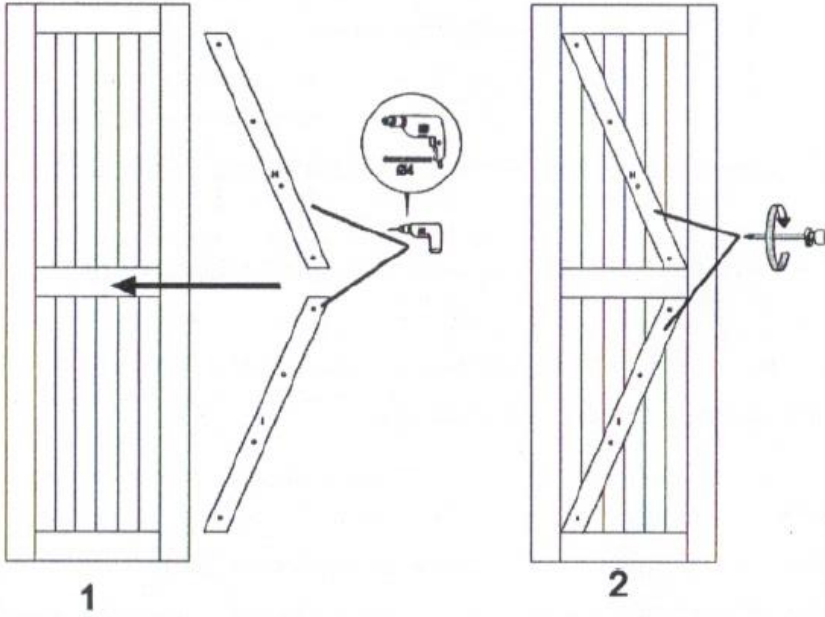
Step 1: assemble planks A, Bs and C on a flat surface; adjust the spacing to match the width of top/bottom rail boards; (* for the back side, two stile boards need to be attached to A and C first)



Step 2:

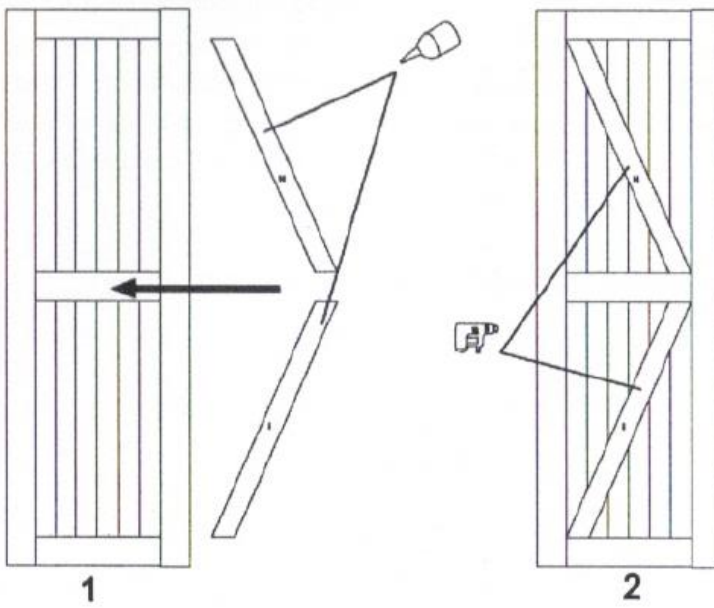
A.

Option A: with the screws we offered



A.

Option B: if installed with nailer and glue, will be better



After Assembly:

Finish the door: please follow the wood stain/paint instructions. (1)visually check the door surface; (2) use wood filler to fill any unwanted holes or cracks; (3) sand the door surface to remove dirt, grease, glue and handling marks; (4) apply pre-stain conditioner before the stain helps the wood absorb the stain evenly; (5) apply more than one coat of stain. Let the stain dry completely and sand lightly between coats; (6) apply at least two coats of finishes or sealers such as polyurethane to protect the surface. (Additional coats of sealers are especially important for door use at bathroom or kitchen areas.) It is important to apply sealers on all six surfaces of the door slab.

Install the door: please follow barn door hardware installation instructions from the manufacturer.

The bottom of the door is NOT mortised and we recommend to use a wall-mounted floor guide.

LUBANN KNOTTY ALDER WOOD BARN DOOR Limited Warranty

Valley BLVD Trading and Investment Co.,LTD (Valley BLVD) warranties its products against manufacturing defects in materials or workmanship for a period of One (1) year from date of shipment from Valley BLVD according to hanging and maintenance/care requirements subject to specified exclusions as stated below. Valley BLVD will, at our option, repair, replace or refund the purchase price of the product to the original owner.

Handling and Care Upon receipt of door, carefully inspect product for any visible defects including warp PRIOR to installation. Notice must be given to dealer immediately. Unfinished/primed doors MUST be finished with a good quality water base stain/top coat applied 6 sides within 48 hours of installation. Prior to installation doors: • MUST NOT be stored prior in damp or direct sunlight conditions or where excessive heat is present • MUST NOT be stored or installed until all sheetrock is painted and dry. • SHOULD be stored in dry, moderate heat (50-70°) prior to installation

Excluded from Warranty The following are not considered defects and therefore are not covered by warranty: 1. Cosmetic defects not reported upon receipt of product. 2. Damage, misuse or abuse caused by others beyond control of Valley BLVD. 3. Warp for doors 3'x7' or smaller not exceeding 1/4" in the plane of the door itself. Doors larger than 3'x7' are covered as such only if properly installed with 3-point locking hardware. 4. Natural variations in color, finish or texture of door. 5. Failures or defects not covered include broken glass, hardware not provided by Valley BLVD. improper installation, lack of maintenance or normal aging. 6. Panel shrinkage. Panels are free-floating and allowed to move as wood stabilizes according to climate conditions.

Maintenance Follow paint manufacturer's procedures when applying new top coat or wax polish. It is important to note that wood continues to be a living entity constantly adjusting to climate conditions. As your door ages over time, it may naturally shrink and swell slightly which may produce small hairline cracks. Proper maintenance will help minimize this condition and prolong the life of your door.