

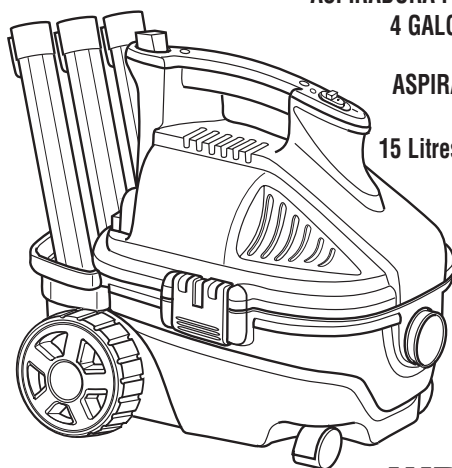


**OWNER'S MANUAL
MANUAL DEL USUARIO
MODE D'EMPLOI**

**4 U.S. GALLON / 15 Liter
WET/DRY VAC**

**ASPIRADORA PARA MOJADO/SECO DE
4 GALONES EE.UU. / 15 Litros**

**ASPIRATEUR DE LIQUIDES ET
DE POUSSIÈRES DE
15 Litres / 4 GALLONS DES É-U**



**WD40701
WD4070EX1
WD4071M1**

**FOR QUESTIONS OR INFORMATION CONTACT US AT
1-800-4-RIDGID (1-800-474-3443) from the US and Canada
www.RIDGIDvacs.com**

TABLE OF CONTENTS

- SAFETY INSTRUCTIONS 2
- INTRODUCTION 4
- ASSEMBLY 5
- OPERATION 6
- STORAGE 8
- MAINTENANCE 9
- REPAIR PARTS 10

ÍNDICE DE CONTENIDO

- INSTRUCCIONES DE SEGURIDAD 11
- INTRODUCCIÓN 13
- ENSAMBLAJE 14
- FUNCIONAMIENTO 15
- ALMACENAMIENTO 17
- MANTENIMIENTO 18
- PIEZAS DE REPUESTO 19

TABLE DES MATIÈRES

- INSTRUCTIONS RELATIVES
À LA SÉCURITÉ 20
- INTRODUCTION 22
- ASSEMBLAGE 23
- FONCTIONNEMENT 24
- RANGEMENT 26
- ENTRETIEN 27
- PIÈCES DE RECHANGE 28

⚠ WARNING:

To reduce the risk of injury, the user must read and understand the owner's manual before using this product.

⚠ ADVERTENCIA:

Para reducir el riesgo de lesiones, el usuario debe leer y comprender el manual del usuario antes de usar este producto.

⚠ AVERTISSEMENT :

Pour réduire les risques de blessures, l'utilisateur doit lire et veiller à bien comprendre le mode d'emploi avant d'utiliser ce produit.

**SAVE THIS MANUAL
FOR FUTURE REFERENCE**

**GUARDE ESTE MANUAL
PARA REFERENCIA FUTURA**

**CONSERVER CE MANUEL
POUR RÉFÉRENCE FUTURE**

IMPORTANT SAFETY INSTRUCTIONS

Safety is a combination of using common sense, staying alert, and knowing how your Wet/Dry Vacuum Cleaner ("Vac") works.

Safety Signal Words

▲ DANGER: Indicates a hazardous situation which, if not avoided, will result in death or serious injury.

▲ WARNING: Indicates a hazardous situation which, if not avoided, could result in death or serious injury.

▲ CAUTION: Indicates a hazardous situation which, if not avoided, could result in minor or moderate injury or property damage.

When using your Vac, always follow basic safety precautions including the following:

▲ WARNING:

- To reduce the risk of fire, electric shock, or injury:

- Read and understand this manual and all labels on the Wet/Dry Vac before operating.
- Use only as described in this manual.
- Do not leave Vac running while unattended - you may fail to notice important signs indicating abnormal operation such as loss of suction, debris/liquid exiting exhaust, or abnormal motor noises. Immediately stop using Vac if you notice these signs.
- Do not leave Vac when plugged in. Unplug from outlet when not in use and before servicing.
- Sparks inside the motor can ignite flammable vapors or dust. To reduce the risk of fire or explosion, do not use near combustible liquids, gases, or dusts, such as gasoline or other fuels, lighter fluid, cleaners, oil-based paints, natural gas, coal dust, magnesium dust, grain dust, aluminum dust, or gun powder.
- Do not vacuum anything that is burning or smoking, such as cigarettes, matches, or hot ashes.
- To avoid the risk of self-ignition of drum debris, empty drum after each use. Combustible materials, such as rags or sawdust containing stain or urethane, can be sources of such overheating.
- Do not vacuum drywall dust, cold fireplace ash, or other fine dusts with standard filter. These may pass through the filter and be exhausted back into the air. Use a fine dust filter instead.
- To reduce the risk of inhaling toxic vapors, do not vacuum or use near toxic or hazardous materials.
- To reduce the risk of electric shock, do not expose to rain or allow liquid to enter motor compartment. Store indoors.
- This Wet/Dry Vac is not intended for use by persons (including children) with reduced physical, sensory, or mental capabilities, or lack of experience and knowledge, unless they have been given supervision or instruction concerning use of the appliance by a person responsible for their safety.
- Do not allow to be used as a toy. Close attention is necessary when used by or near children.
- Do not use with a torn filter or without filter installed except when vacuuming liquids as described in this manual. Dry debris ingested by the impeller may damage the motor or be exhausted into the air.
- Turn off Vac before unplugging.
- To reduce the risk of injury from accidental starting, unplug power cord before changing or cleaning filter.
- Do not unplug by pulling on cord. To unplug, grasp the plug, not the cord.
- Do not use with damaged cord, plug or other parts. If your Vac is not working as it should, has missing parts, has been dropped, damaged, left outdoors, or dropped into water, call customer service.
- Do not pull or carry by cord, use cord as handle, close a door on cord, or pull cord around sharp edges or corners. Do not run Vac over cord. Keep cord away from heated surfaces.
- Do not handle plug, switch, or the Vac with wet hands.
- Use only extension cords that are rated for outdoor use. Extension cords in poor condition or too small in wire size can pose fire and shock hazards. To reduce the risk of these hazards, be sure the cord is in good condition and that liquid does not contact the connection. Do not use an extension cord with conductors smaller than 1,3 mm² (16 AWG).
- This Wet/Dry Vac is double-insulated, eliminating the need for a separate grounding system. Use only identical replacement parts. Read the instructions for Servicing Double-Insulated Wet/Dry Vacs before servicing.
- Do not put any object into ventilation openings. Do not vacuum with any ventilation openings blocked; keep free of dust, lint, hair or anything that may reduce air flow.
- Keep hair, loose clothing, fingers, and all parts of body away from openings and moving parts.
- To reduce the risk of falls, use extra care when cleaning on stairs.
- To reduce the risk of personal injury or damage to Vac, use only RIDGiD recommended accessories.
- When using as a blower:
 - Direct air discharge only at work area.
 - Do not direct air at bystanders.
 - Keep children away when blowing.
 - Do not use blower for any job except blowing dirt and debris.
 - Do not use as a sprayer.
- To reduce the risk of eye injury, wear safety eyewear. The operation of any utility Vac or blower can result in foreign objects being blown into the eyes, which can result in severe eye damage.

IMPORTANT SAFETY INSTRUCTIONS

⚠ CAUTION:

- To reduce the risk of hearing damage, wear ear protectors when using for extended hours or in a noisy area.
- For dusty operations, wear dust mask.
- Static shocks are common when the relative humidity of the air is low. Vacuuming fine debris with your Vac can deposit static charge on the hose or Vac. To reduce the frequency of static shocks in your home or when using this Vac, add moisture to the air with a humidifier.

Observe the following warnings that appear on the motor housing of your Vac:



DOUBLE INSULATED - GROUNDING NOT REQUIRED.
WHEN SERVICING USE ONLY IDENTICAL
REPLACEMENT PARTS.

⚠ WARNING:

- For your own safety, read and understand owner's manual.
- Do not run unattended.
- Do not pick up hot ashes, coals, flammable, combustible / self-igniting, toxic, or other hazardous materials.
- Do not use around explosive liquids or vapors.

⚠ WARNING:

To reduce the risk of electric shock - do not expose to rain - store indoors.

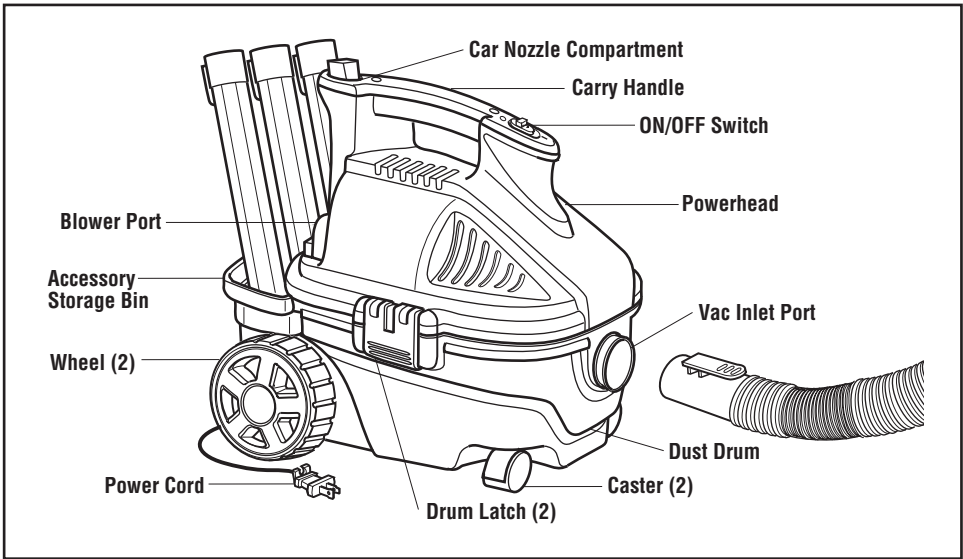
SAVE THIS MANUAL

INTRODUCTION

This Wet/Dry Vac is intended for household use only. It may be used for light vacuuming of wet or dry media and may be used as a blower. The light weight design allows usage for most small household vacuuming chores.

Familiarize yourself with the following product and features and read the entire owner's manual for specific usage of your new Wet/Dry Vac.

GETTING TO KNOW YOUR WET/DRY VAC



Familiarize yourself with the controls and features of your Vac before operating. Familiarize yourself with the Accessories included with the Vac. Each Accessory may be used in various ways for vacuuming and blowing debris. Here is a list of the Accessories and their uses.

Tug-A-Long Positive Locking Hose with Dual-Flex - Provides transfer of vacuum or blowing capability to work site. Provides the means of attaching extension wands and nozzles.

Utility Nozzle - General purpose nozzle for most vacuuming applications.

Car Nozzle - Dry pickup nozzle for car interiors and most upholstery cleaning.

Extension Wands - These wands can be connected together and provides additional length for more reach.

INTRODUCTION

UNPACKING

Remove contents of carton. Check each item against the Carton Contents List.

Contact 1-800-4-RIDGID (1-800-474-3443) from the US and Canada, 01-800-701-9811 from Mexico or info@RIDGIDvac.com if any parts are damaged or missing.

CARTON CONTENTS LIST (Fig. 1)

Key	Description	Qty
A*	Powerhead Assembly.....	1
B*	Dust Drum Assembly.....	1
C*	Qwik Lock™ Filter.....	1
D*	Rear Wheel.....	2
E*	Caster.....	2
F	Utility Nozzle.....	1
G	Extension Wand.....	3
H	Car Nozzle.....	1
I	Tug-A-Long Positive Locking Hose with Dual-Flex ...	1
J	Owner's Manual.....	1

* These parts come preassembled.

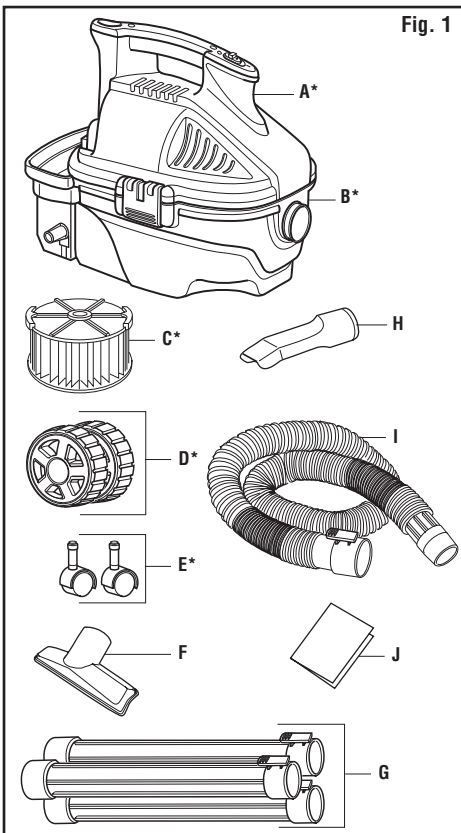


Fig. 1

ASSEMBLY

WET/DRY VAC ASSEMBLY (Fig. 2)

- To Attach the Powerhead Assembly to Dust Drum:** Place Powerhead Assembly (A) on top of Dust Drum (B) with the Power Switch aligned with the Vac Inlet Port. Be sure Powerhead Assembly is fully seated on the Dust Drum.
- Press in on the Two Latches, located on either side of the Dust Drum (B) until they snap into place, securing the Powerhead Assembly to the Dust Drum.
- To Remove the Powerhead Assembly:** Pull out on the Two Latches and lift Powerhead Assembly from the Dust Drum. Do not force the Latches to rotate more than slightly outside Drum flange.

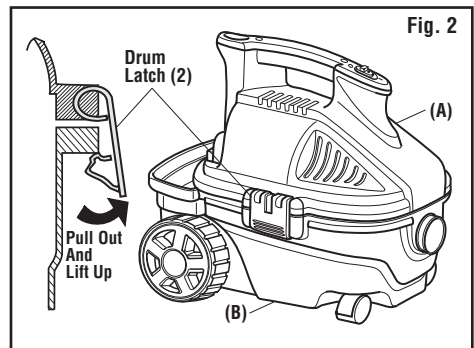


Fig. 2

ATTACHING AND REMOVING VACUUM HOSE (Fig. 3)

- To Insert Hose:** Locate the larger end of the Tug-A-Long Positive Locking Hose with Dual-Flex (I). Push the Tug-A-Long Positive Locking Hose with Dual-Flex into the Vac Inlet Port. Engage the Hose Locking Tab onto the lip of the Vac Inlet Port. The Tug-A-Long Positive Locking Hose with Dual-Flex should snap into place.
- To Remove Hose:** Press the Hose Locking Tab and pull the Hose end straight out of the Vac Inlet Port.

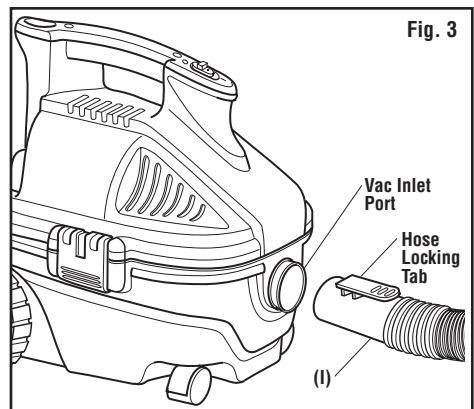


Fig. 3

OPERATION

⚠ WARNING: To reduce the risk of fire, explosion, or damage to Vac:

- Do not leave Vac running while unattended - you may fail to notice important signs indicating abnormal operation such as loss of suction, debris/liquid exiting the exhaust, or abnormal motor noises. Immediately stop using Vac if you notice these signs.
- Do not leave Vac plugged in when not in use.
- Do not continue running when float has cut off suction.
- Sparks inside the motor can ignite airborne flammables. Do not operate Vac near flammable liquids or in areas with flammable gases, vapors, or explosive/airborne dust. Flammable liquids, gases, and vapors include: lighter fluid, solvent-type cleaners, oil-based paints, gasoline, alcohol, and aerosol sprays. Explosive dusts include: coal, magnesium, aluminum, grain, and gun powder.
- Do not vacuum up explosive dusts, flammable liquids, or hot ashes.
- Do not leave sawdust or rags with stain or polyurethane residue inside Vac. Empty drum after picking up these potentially self-heating materials.

⚠ WARNING: To reduce the risk of electric shock or injury:

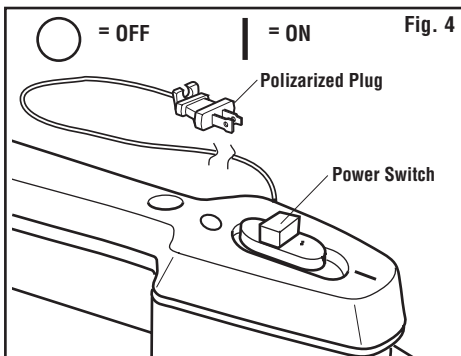
- Do not expose to rain or allow liquid to enter motor compartment. Store indoors.
- Do not handle plug, switch, or Vac with wet hands.
- Unplug Vac before servicing. If your Vac is not working as it should, has missing parts, has been dropped, damaged, left outdoors, or dropped into water, return it to an authorized service center or call customer service.
- When using an extension cord, use only outdoor-rated cords that are in good condition. Do not allow the connection to come into contact with liquid.

⚠ CAUTION: To reduce the risk of hearing damage, wear ear protectors when using the Vac/Blower for extended time or in a noisy area.

POLARIZED PLUG / ON-OFF SWITCH (Fig. 4)

To reduce the risk of electric shock, this Vac has a Polarized Plug (one blade is wider than the other). This Plug will fit in a Polarized Outlet only one way. If the Plug does not fit fully in the Outlet, reverse the Plug. If it still does not fit, contact a qualified electrician to install the proper Outlet. Do not change the Plug in any way.

With Power Cord plugged in, turn the Vac "ON" by sliding the Power Switch towards the "I". To turn "OFF", slide the power switch towards the "O". The symbols used on either side of the switch actuator are international "ON & OFF" symbols.



VACUUMING DRY MATERIALS

1. The Filter must always be in correct position at all times to avoid leaks and possible damage to Vac.
2. To maintain peak performance when vacuuming fine dust, clean the Drum and Filter regularly.

NOTE: Do not use a wet Filter when picking up dry material. The Filter will quickly clog and be difficult to clean.

3. If the Filter is wet, you must allow it to dry completely or replace it with a dry Filter before using the Vac to pick up dry material.

VACUUMING LIQUIDS

1. Vacuuming up small amounts of liquid (less than 2" (5 cm) collected in Dust Drum) does not require Filter removal.
2. When larger amounts of liquid are to be picked up, remove all dry use only Paper Filter(s) and replace with a RIDGID wet application Foam Filter. Do Not remove the Filter Cage or Float. The Foam Filter is specifically designed for high volume liquid pick up. If the paper Filter is used and becomes saturated, you may see "mist" coming from the Blower Port.
3. When the Drum is "full" the Float will rise and cut off airflow. The motor sound will rise in pitch and its speed will increase indicating the Drum is "full". Turn OFF the Vac and unplug the power cord before emptying the Drum.

OPERATION

- Following use of Vac for wet pick up, allow Filter to dry completely to avoid mildew and Filter damage.

IMPORTANT: To reduce the risk of damage to the Vac, do not run Motor with Float in raised position.

⚠ WARNING:

Do not operate without filter cage and float, as they prevent liquid from entering the impeller and damaging the motor.

EMPTYING THE DUST DRUM (Fig. 5)

⚠ WARNING:

To reduce the risk of injury from accidental starting, unplug power cord before emptying the drum.

- Unplug Power Cord from power source.
- To empty contents of the Dust Drum (B), simply lift on the two Drum Latches located on the side of the Vac. Then lift the Powerhead (A) up and off the Dust Drum (B).
- Lay the Powerhead (A) upside down on a clean dry area while emptying the Dust Drum (B) or changing the Filter (C).
- Empty Dust Drum (B) contents into the proper waste disposal container.
- The Dust Drum (B) should be emptied and cleaned before storing your Vac.

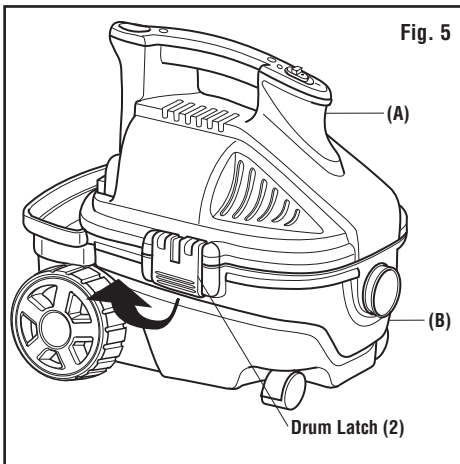


Fig. 5

BLOWING FEATURE (Fig. 6)

Your Vac features a Blower Port. It can blow sawdust and other debris. Follow the steps below to use your Vac as a Blower.

- Locate the Blower Port, at the rear of the Powerhead (A) of your Wet/Dry Vac.
- Insert the larger end of the Hose (I) into the Blower Port. Engage the Hose Locking Tab onto the lip of the Blower Port. The Hose should snap into place.
- Turn Vac ON and you are ready to use your Vac as a Blower.
- To Remove the Hose from the Vac:** Turn Vac OFF. Press the Hose Locking Tab and pull the Hose straight out of the Blower Port.

⚠ WARNING:

Always wear safety eyewear complying with ANSI Z87.1 (or in Canada, CSA Z94.3) before using as a blower.

⚠ WARNING:

To reduce the risk of injury to bystanders, keep them clear of blowing debris.

⚠ CAUTION:

Wear a dust mask if blowing creates dust which might be inhaled.

⚠ CAUTION:

To reduce the risk of hearing damage, wear ear protectors when using the Vac/Blower for extended time or in a noisy area.

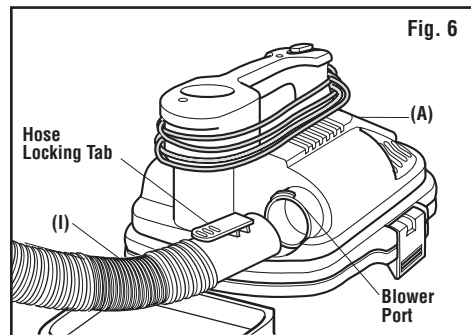


Fig. 6

STORAGE

When vacuuming is complete, your RIDGID Wet/Dry Vac has convenient storage locations.

ACCESSORY STORAGE (Fig. 7)

1. The Car Nozzle (H) is stored in the Car Nozzle Compartment, located on top of the Handle.
2. The Accessory Storage Bin holds the Utility Nozzle (F) and Three Extension Wands (G).

To secure the Extension Wands (G), slide the large end of each Wand onto the Accessory Storage Bin as shown in Figure 7.

CORD STORAGE (Fig. 8)

1. **To Store Cord:** Wrap the Power Cord around the top of the Handle on the Vac
2. Secure the Power Cord using the Cord Clip on the Polarized Plug.

HOSE STORAGE (Fig. 8)

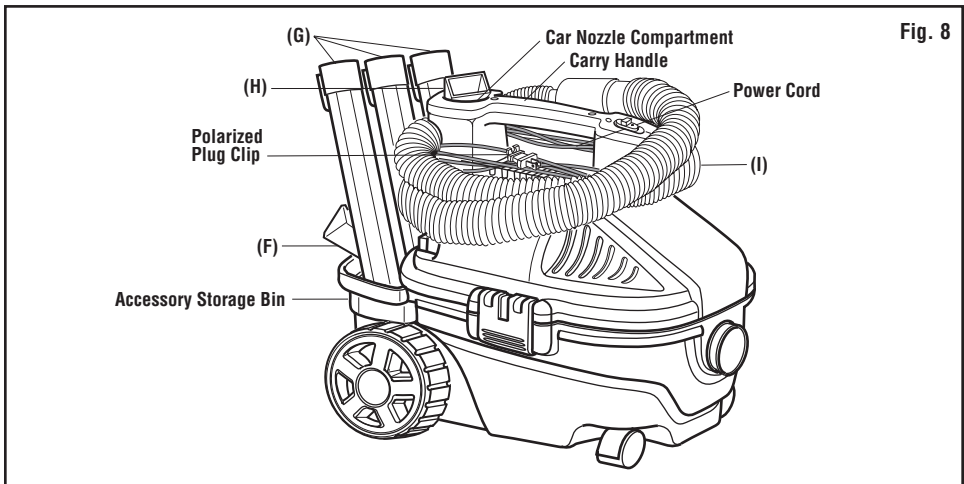
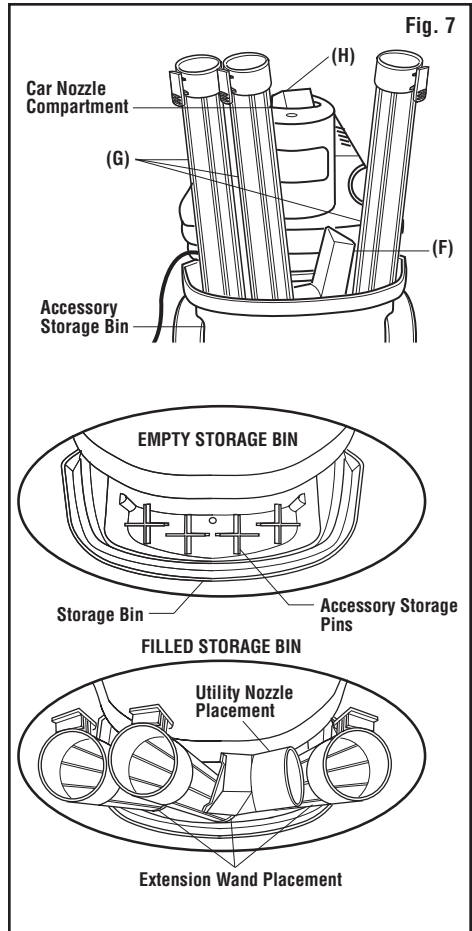
1. Wrap the Hose (I) around the Vac as shown and place the small Swivel End inside the larger one.

WARNING:

Do not put any object into ventilation openings. Do not vacuum with any ventilation openings blocked; keep free of dust, lint, hair or anything that may reduce air flow.

CAUTION:

Do not operate vacuum while the hose is still wrapped around the powerhead assembly in the storage position.



MAINTENANCE

FILTER

⚠ WARNING:

To reduce the risk of injury from accidental starting, unplug power cord before changing or cleaning filter.

NOTE: The Filter (C) is made of high quality paper designed to stop small particles of dust. The Filter can be used for dry pick up or small amounts of liquid. Handle the Filter carefully when removing or installing it. Creases in the Filter Pleats may occur from installation but will not affect the performance of the Filter.

REMOVAL & INSTALLATION OF THE QWIK LOCK™ FILTER (Fig. 9)

1. **To Remove Filter:** Place fingers under the Two Filter Tabs.
2. While pressing down with one thumb on the Qwik Lock™ Stud, that protrudes through the center of the Filter Plate lift up on the Tabs until Filter releases.
3. Slide Filter off Filter Cage. Filter Cage and Float should not be removed.

IMPORTANT: To avoid Blower Wheel and Motor Damage always reinstall Filter before using Vac for dry pickup.

4. **To Install Filter:** Slide the Qwik Lock™ Filter (C) over the Filter Cage while aligning the Qwik Lock™ Stud on the Filter Cage with the center hole in the Qwik Lock™ Integrated Filter Plate.
5. Make sure the Rubber Gasket at the bottom of the Qwik Lock™ Filter (C) seats around the base of the Filter Cage.
6. Firmly press the Qwik Lock™ Integrated Filter Plate down around the Qwik Lock™ Stud until it snaps into place.

NOTE: Failure to properly seat the bottom Gasket and Integrated Filter Plate to the Filter Cage could result in debris bypassing the Filter.

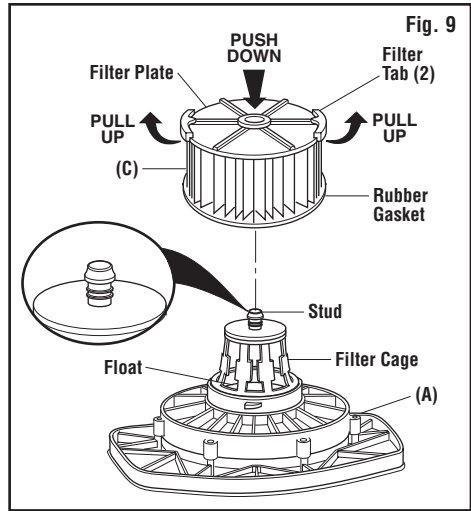
Your Filter should be cleaned often to maintain peak Vac performance.

⚠ WARNING:

Do not operate without filter cage and float, as they prevent liquid from entering the impeller and damaging the motor.

⚠ WARNING:

To assure product SAFETY and RELIABILITY, any other maintenance, repairs and adjustments should be performed by Authorized Service Centers, always using RIDGID replacement parts.



CLEANING A DRY FILTER

1. Some removal of dry debris can be accomplished without removing the Filter from the Vac. Slap your hand on top of the Lid while the Vac is turned OFF.
2. For best cleaning results due to accumulated dust, clean the Filter outdoors in an open area.
3. After Filter removal from Vac, remove the dry debris by gently tapping Filter against the inside wall of your Dust Drum. The debris will loosen and fall.
4. For thorough cleaning of Dry Filter with fine dust (no debris), run water through Filter as described under "Cleaning A Wet Filter".

CLEANING A WET FILTER

After Filter is removed, run water through the Filter from a hose or spigot. Take care that water pressure from the hose is not strong enough to damage Filter.

IMPORTANT: After cleaning, check the Filter for tears or small holes. Do not use a Filter with holes or tears in it. Even a small hole can allow dust to come out of your Vac. Replace it immediately.

Allow the Filter to dry completely before reinstalling and storing the Vac or picking up dry debris.

REPAIR PARTS

4 U.S. Gallon (15 Liter) Wet/Dry Vac

Model Numbers WD40701, WD4070EX1 & WD4071M1

Electrical Ratings:

WD40701: 120 V 9 A 60 Hz

WD4070EX1: 230 V~ 4.7 A 50/60 Hz


WD4071M1: 120 V~ 9 A 60 Hz

RIDGID parts are available online at store.ridgid.com/wetdry


Always order by Part Number - Not by Key Number

WARNING:

SERVICING OF DOUBLE-INSULATED WET/DRY VAC

In a double-insulated Wet/Dry Vac, two systems of insulation are provided instead of grounding. No grounding means is provided on a double-insulated appliance, nor should a means for grounding be added. Servicing a double-insulated Wet/Dry Vac requires extreme care and knowledge of the system, and should be done only by qualified service personnel. Replacement parts for a double-insulated Wet/Dry Vac must be identical to the parts they replace. Your double-insulated Wet/Dry Vac is marked with the words "DOUBLE INSULATED" and the symbol  (square within a square) may also be marked on the appliance.

To reduce the risk of injury from electrical shock, unplug power cord before servicing the electrical parts of the Wet/Dry Vac.

 **WARNING:** To reduce the risk of injury from electrical shock, unplug power cord before servicing the electrical parts of the Wet/Dry Vac.

 **WARNING:** All disassembly and repairs should be performed by qualified personnel.

This product has a 90 day Satisfaction Guarantee Policy
as well as a Limited Lifetime Warranty.

For Warranty and Policy details go to
RIDGID.com/VacWarranty or call 1-800-4-RIDGID.



EMERSON

www.RIDGID.com

© 2021 Emerson

INSTRUCCIONES DE SEGURIDAD IMPORTANTES

La seguridad es una combinación de sentido común, permanecer alerta y saber cómo funciona la aspiradora para mojado/seco ("la aspiradora").

Palabras de señal de seguridad

PELIGRO:

Indica una situación peligrosa que, si no se evita, causará la muerte o lesiones graves.

ADVERTENCIA:

Indica una situación peligrosa que, si no se evita, podría causar la muerte o lesiones graves.

PRECAUCIÓN:

Indica una situación peligrosa que, si no se evita, podría causar lesiones leves o moderadas o daños materiales.

Cuando utilice la aspiradora, siga siempre las precauciones básicas de seguridad, incluyendo las siguientes:

ADVERTENCIA: – Para reducir el riesgo de incendio, sacudidas eléctricas o lesiones:

- Lea y entienda este manual del usuario y todas las etiquetas que están colocadas en la aspiradora para mojado/seco antes de utilizarla.
- Utilice la aspiradora únicamente de la manera que se describe en este manual.
- No deje la aspiradora en marcha mientras esté desatendida. Usted podría no notar señales importantes que indiquen un funcionamiento anormal, tal como pérdida de succión, residuos o líquido que salen por el escape o ruidos anormales del motor. Deje de usar la aspiradora inmediatamente si observa estas señales.
- No abandone la aspiradora cuando esté enchufada. Desenchúfela del tomacorriente cuando no la esté utilizando y antes de realizar servicio de revisión.
- Las chispas que se producen en el interior del motor pueden incendiar los vapores inflamables o el polvo. Para reducir el riesgo de incendio o explosión: No use la aspiradora cerca de líquidos o gases inflamables o combustibles, o polvos explosivos como gasolina u otros combustibles, líquido encendedor, limpiadores, pinturas a base de aceite, gas natural, polvo de carbón, polvo de magnesio, polvo de aluminio, polvo de granos de cereal o pólvora.
- No recoja con la aspiradora nada que esté ardiendo o humeando, como cigarrillos, fósforos o cenizas calientes.
- Para evitar el riesgo de autoignición de los residuos contenidos en el tambor, vacíe el tambor después de cada uso. Los materiales combustibles, tales como trapos o aserrín que contengan tinte o uretano, pueden ser causas de dicho sobrecalentamiento.
- No recoja con la aspiradora polvo de panel de yeso, ceniza fría de chimenea u otros polvos finos con un filtro estándar. Estos materiales pueden pasar por el filtro y pueden ser expulsados de vuelta al aire. Utilice un filtro para polvo fino en lugar de un filtro estándar.
- Para reducir el riesgo de inhalar vapores tóxicos, no recoja con la aspiradora materiales tóxicos o peligrosos ni la use cerca de dichos materiales.
- Para reducir el riesgo de descargas eléctricas, no exponga la aspiradora a la lluvia ni deje que entren líquidos en el compartimiento del motor. Guarde la aspiradora en un lugar interior.
- Esta aspiradora mojado/seco no se destina para utilizarse por personas (incluyendo niños) cuyas capacidades físicas, sensoriales o mentales estén reducidas, o carezcan de experiencia

o conocimiento, a menos que dichas personas reciban una supervisión o capacitación para el funcionamiento del aparato por una persona responsable de su seguridad.

- No permita que la aspiradora se utilice como un juguete. Se necesita prestar máxima atención cuando sea utilizada por niños o cerca de éstos.
- No use la aspiradora con un filtro desgarrado o sin tener el filtro instalado, excepto cuando recoja con ella líquidos de la manera que se describe en este manual. Los residuos secos absorbidos por el impulsor podrían dañar el motor o ser expulsados de vuelta al aire.
- Apague la aspiradora antes de desenchufarla.
- Para reducir el riesgo de lesiones debidas a un arranque accidental, desenchufe el cordón de energía antes de cambiar o limpiar el filtro.
- No desenchufe la aspiradora tirando del cordón. Para desenchufarla, agarre el enchufe y no el cordón.
- No use la aspiradora con el cordón dañado, el enchufe dañado u otras piezas dañadas. Si la aspiradora no funciona como debe, le faltan piezas, se ha caído, ha sido dañada, se ha dejado a la intemperie o se ha caído al agua, llame a servicio al cliente.
- No tire de la aspiradora usando el cordón ni la lleve por el cordón, ni use el cordón como asa, ni cierre una puerta sobre el cordón, ni tire del cordón alrededor de bordes o esquinas afilados. No pase la aspiradora en marcha sobre el cordón. Mantenga el cordón alejado de las superficies calientes.
- No maneje el enchufe, el interruptor o la aspiradora con las manos mojadas.
- Utilice únicamente cordones de extensión que tengan capacidad nominal para uso a la intemperie. Los cordones de extensión que estén en malas condiciones o tengan un tamaño de alambre demasiado pequeño pueden crear peligros de incendio y descargas eléctricas. Para reducir el riesgo de estos peligros, asegúrese de que el cordón esté en buenas condiciones y que el líquido no entre en contacto con la conexión. No utilice un cordón de extensión que tenga conductores con un diámetro menor al calibre 1,3 mm² (16 AWG).
- Esta aspiradora tiene aislamiento doble, lo cual elimina la necesidad de un sistema independiente de conexión a tierra. Utilice únicamente piezas de repuesto idénticas. Lea las instrucciones de servicio de revisión de las aspiradoras para mojado/seco con aislamiento doble antes de realizar servicio de revisión.
- No ponga ningún objeto en las aberturas de ventilación. No recoja nada con la aspiradora cuando cualquiera de las aberturas de ventilación esté bloqueada; mantenga dichas aberturas libres de polvo, pelusa, pelo o cualquier cosa que pueda reducir el flujo de aire.
- Mantenga el pelo, la ropa holgada, los dedos y todas las partes del cuerpo alejados de las aberturas y de las piezas móviles.
- Para reducir el riesgo de caídas, tenga cuidado adicional al limpiar en escaleras.
- Para reducir el riesgo de lesiones corporales o daños a la aspiradora, utilice únicamente accesorios recomendados por RIDGID.
- Cuando utilice la aspiradora como soplador:
 - Dirija la descarga de aire solamente hacia el área de trabajo.
 - No dirija el aire hacia las personas que estén presentes.
 - Mantenga alejados a los niños durante la operación de soplado.
 - No utilice el soplador para trabajos que no sean soplar suciedad y residuos.
 - No use la aspiradora como rociador.
- Para reducir el riesgo de lesiones en los ojos, use protección ocular de seguridad. La utilización de cualquier aspiradora utilitaria o soplador utilitario puede hacer que se soplen objetos extraños hacia los ojos, lo cual puede causar daños graves en los ojos.

INSTRUCCIONES DE SEGURIDAD IMPORTANTES

⚠ PRECAUCIÓN:

- Para reducir el riesgo de daños a la audición, use protectores de oídos cuando utilice la aspiradora durante muchas horas seguidas o cuando la emplee en un área ruidosa.
- Para operaciones que generan polvo, use una máscara antipolvo.
- Las descargas de estática son comunes cuando la humedad relativa del aire es baja. Si recoge residuos finos con la aspiradora, se puede depositar carga estática en la manguera o en la aspiradora. El mejor remedio para reducir la frecuencia de las descargas de estática en su casa o cuando use esta aspiradora es añadir humedad al aire con un humidificador.

Siga las siguientes advertencias que aparecen en la caja del motor de la aspiradora:



AISLAMIENTO DOBLE. NO SE REQUIERE CONEXION A TIERRA. CUANDO HAGA SERVICIO DE REVISION DE LA ASPIRADORA, UTILICE ÚNICAMENTE PIEZAS DE REPUESTO IDÉNTICAS.

⚠ ADVERTENCIA:

- Para su propia seguridad, lea y entienda el manual del operador.
- No tenga en marcha la aspiradora desatendida.
- No recoja cenizas calientes, brasas, materiales inflamables, combustibles / autoincendiables o tóxicos, ni otros materiales peligrosos.
- No use la aspiradora alrededor de líquidos o vapores explosivos.

⚠ ADVERTENCIA:

Para reducir el riesgo de sacudidas eléctricas, no exponga la aspiradora a la lluvia y almacénela en interiores.

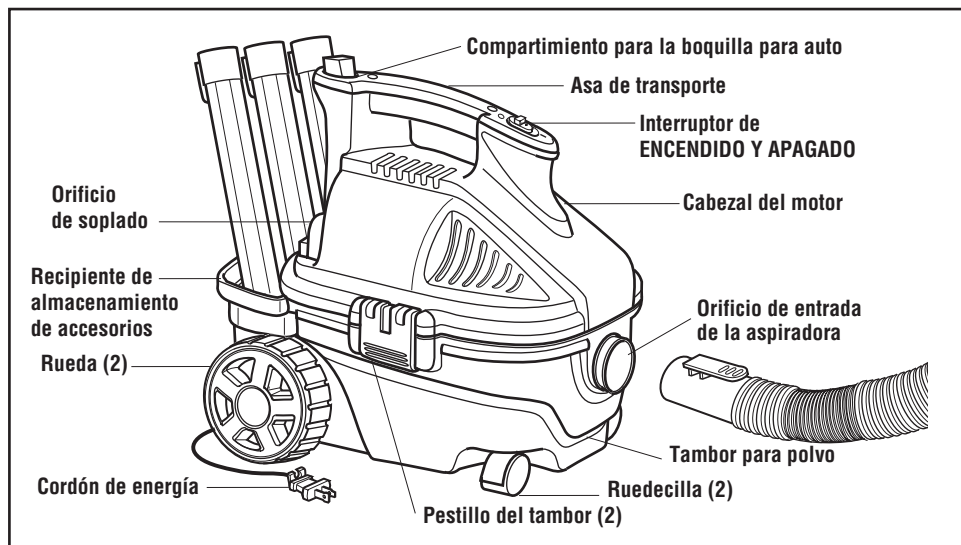
GUARDE ESTE MANUAL

INTRODUCCIÓN

Esta aspiradora para mojado/seco está diseñada para uso doméstico solamente. Se puede utilizar para la recogida ligera de medios mojados o secos y también se puede usar como soplador. El diseño liviano permite la utilización para realizar la mayoría de las tareas domésticas de aspiración pequeñas.

Familiarícese con las siguientes características del producto y lea todo el manual del usuario para obtener instrucciones sobre la utilización específica de su nueva aspiradora para mojado/seco.

FAMILIARIZACIÓN CON LA ASPIRADORA PARA SECO/MOJADO



Familiarícese con los controles y las características de la aspiradora para mojado/seco antes de utilizarla. Familiarícese con los accesorios que se incluyen con la aspiradora. Cada accesorio puede usarse de diversas maneras para aspirar y soplar residuos. A continuación hay una lista de los accesorios y de sus usos.

Manguera con fijación positiva Tug-A-Long con Dual-Flex: Proporciona transferencia de capacidad de aspiración o soplado al lugar de trabajo. Proporciona los medios para acoplar los tubos extensores y las boquillas.

Boquilla de uso general: Boquilla que se usa en la mayoría de las aplicaciones de aspiración.

Boquilla para auto: Boquilla para recoger materiales secos en interiores de auto y en la mayoría de limpiezas de tapicería.

Tubos extensores: Estos tubos pueden conectarse entre sí y proporcionan longitud adicional para tener más alcance.

INTRODUCCIÓN

DESEMPAQUETADO

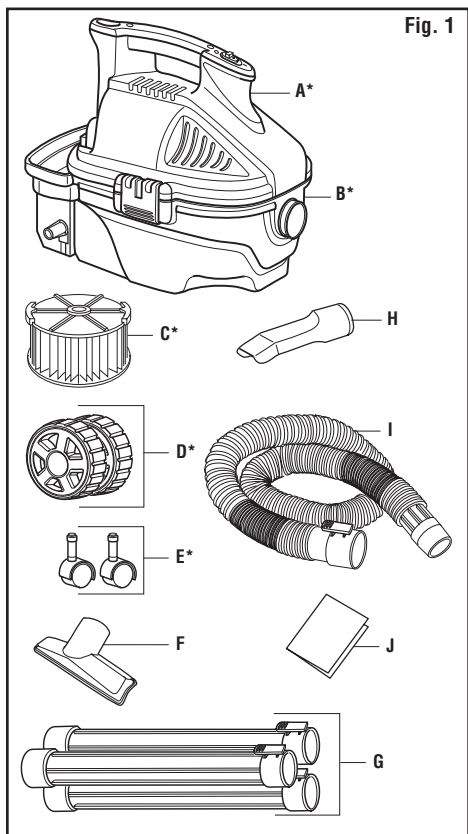
Saque todo el contenido de la caja de cartón. Compruebe todas las piezas de la caja de cartón frente a la lista del contenido de la caja.

Si alguna pieza está dañada o falta, contáctenos llamando al 1-800-4-RIDGID (1-800-474-3443) desde los EE.UU. y Canadá, y al 01-800-701-9811 desde México, o envíenos un correo electrónico en info@ridgidvac.com.

LISTA DEL CONTENIDO DE LA CAJA DE CARTÓN (Fig. 1)

Clave	Descripción	Cant.
A*	Ensamblaje del cabezal del motor	1
B*	Ensamblaje del tambor para polvo	1
C*	Filtro Qwik Lock™	1
D*	Rueda trasera	2
E*	Ruedecilla	2
F	Boquilla de uso general	1
G	Tubo de extensión	3
H	Boquilla para auto	1
I	Manguera con fijación positiva Tug-A-Long con Dual-Flex	1
J	Manual del usuario	1

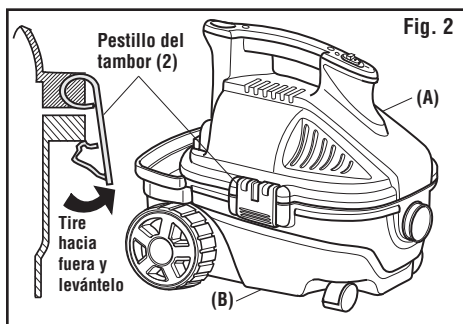
* Estas piezas vienen preensambladas.



ENSAMBLAJE

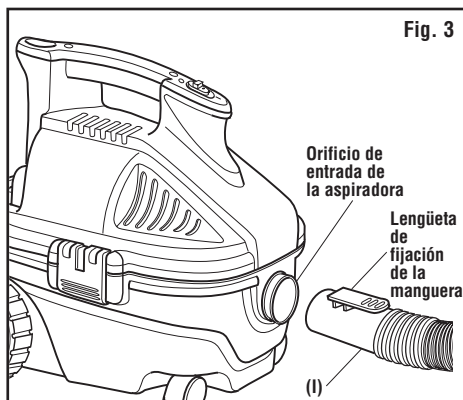
ENSAMBLAJE DE LA ASPIRADORA PARA MOJADO/SECO (Fig. 2)

1. **Para instalar el ensamblaje del cabezal del motor en el tambor para polvo:** Coloque el ensamblaje del cabezal del motor (A) encima del tambor para polvo (B) con el interruptor de alimentación alineado con el orificio de entrada de la aspiradora. Asegúrese de que el ensamblaje del cabezal del motor esté completamente asentado sobre el tambor para polvo.
2. Presione hacia dentro sobre los dos pestillos ubicados a ambos lados del tambor para polvo (B) hasta que se acoplen a presión en la posición correcta, sujetando firmemente el ensamblaje del cabezal del motor al tambor para polvo.
3. **Para retirar el ensamblaje del cabezal del motor:** Jale hacia fuera los dos pestillos y levante el ensamblaje del cabezal del motor para separarlo del tambor para polvo. No fuerce los pestillos de manera que roten más que ligeramente hacia fuera de la pestaña del tambor.



INSTALACIÓN Y REMOCIÓN DE LA MANGUERA DE ASPIRACIÓN (Fig. 3)

1. **Para insertar la manguera:** Localice el extremo más grande de la manguera con fijación positiva Tug-A-Long con Dual-Flex (I). Empuje la manguera con fijación positiva Tug-A-Long con Dual-Flex hacia el interior del orificio de entrada de la aspiradora. Acople la lengüeta de fijación de la manguera en el labio del orificio de entrada de la aspiradora. La manguera con fijación positiva Tug-A-Long con Dual-Flex debería acoplarse a presión en la posición correcta.
2. **Para retirar la manguera:** Presione la lengüeta de fijación de la manguera y jale el extremo de la manguera directamente hacia fuera del orificio de entrada de la aspiradora.



FUNCIONAMIENTO

⚠️ ADVERTENCIA: Para reducir el riesgo de incendio, explosión o daños a la aspiradora:

- No deje la aspiradora en marcha mientras esté desatendida. Usted podría no notar señales importantes que indiquen un funcionamiento anormal, tal como pérdida de succión, residuos o líquido que salen por el escape o ruidos anormales del motor. Deje de usar la aspiradora inmediatamente si observa estas señales.
- No deje la aspiradora enchufada cuando no se esté utilizando.
- No continúe usando la aspiradora cuando el flotador haya cortado la succión.
- Las chispas generadas dentro del motor pueden incendiar los materiales inflamables suspendidos en el aire. No utilice la aspiradora cerca de líquidos inflamables ni en áreas con gases o vapores inflamables o polvo explosivo/suspendido en el aire. Los líquidos inflamables, gases inflamables y los vapores inflamables incluyen: líquido encendedor, limpiadores tipo solvente, pinturas a base de aceite, gasolina, alcohol y rociadores tipo aerosol. Los polvos explosivos incluyen: carbón, magnesio, aluminio, grano de cereal y pólvora.
- No recoja con la aspiradora polvos explosivos, líquidos inflamables ni cenizas calientes.
- No deje aserrín ni trapos con residuos de tinte o de poliuretano dentro de la aspiradora. Vacíe el tambor después de recoger estos materiales potencialmente autocalentables.

⚠️ ADVERTENCIA: Para reducir el riesgo de descargas eléctricas o lesiones:

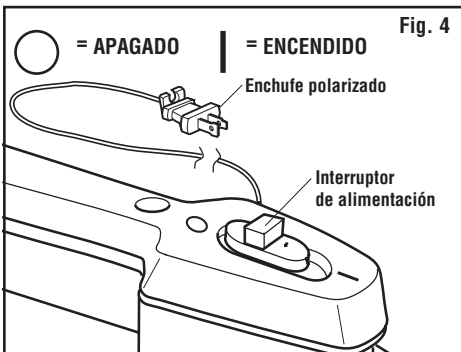
- No exponga la aspiradora a la lluvia ni deje que entre líquido en el compartimiento del motor. Almacene la aspiradora en un lugar interior.
- No maneje el enchufe, el interruptor o la aspiradora con las manos mojadas.
- Desenchufe la aspiradora antes de hacerle servicio de ajustes y reparaciones. Si la aspiradora no está funcionando como debería, le faltan piezas, se ha caído, ha sido dañada, se ha dejado a la intemperie o se ha caído al agua, devuélvala a un centro de servicio autorizado o llame a servicio al cliente.
- Cuando utilice un cordón de extensión, utilice únicamente cordones con capacidad nominal para uso a la intemperie que estén en buenas condiciones. No deje que la conexión entre en contacto con líquido.

⚠️ PRECAUCIÓN: Para reducir el riesgo de daños a la audición, use protectores de oídos cuando utilice la aspiradora/soplador durante un tiempo prolongado o en un área ruidosa.

ENCHUFE POLARIZADO / INTERRUPTOR DE ENCENDIDO Y APAGADO (Fig. 4)

Para reducir el riesgo de sacudidas eléctricas, esta aspiradora tiene un enchufe polarizado (una hoja es más ancha que la otra). Este enchufe entrará en un tomacorriente polarizado solamente de una manera. Si el enchufe no entra por completo en el tomacorriente, déle la vuelta. Si sigue sin entrar, póngase en contacto con un electricista competente para instalar el tomacorriente adecuado. No haga ningún tipo de cambio en el enchufe.

Con el cable de alimentación enchufado, ENCIENDA la aspiradora deslizando el interruptor de alimentación hacia la "I". Para APAGAR la aspiradora, deslice el interruptor de alimentación hacia la "O". Los símbolos utilizados a cada lado del accionador del interruptor son los símbolos internacionales de "ENCENDIDO Y APAGADO".



RECOGIDA DE MATERIALES SECOS CON LA ASPIRADORA

1. El filtro debe estar siempre en la posición correcta para reducir el riesgo de fugas y posibles daños a la aspiradora.
2. Para mantener un rendimiento máximo cuando se aspire polvo fino, limpie el tambor y el filtro regularmente.

NOTA: Se necesita un filtro seco para recoger material seco. Si utiliza la aspiradora para recoger polvo cuando el filtro está mojado, éste se atascará rápidamente y será muy difícil limpiarlo.

3. Si el filtro está mojado, se debe dejar que se seque completamente o se debe reemplazar por un filtro seco antes de utilizar la aspiradora para recoger material seco.

RECOGIDA DE LÍQUIDOS CON LA ASPIRADORA

1. La aspiración de pequeñas cantidades de líquido (menos de 2 pulgadas (5 cm) recogidas en el tambor para polvo) no requiere retirar el filtro.
2. Cuando se vayan a recoger cantidades más grandes de líquido, retire todos los filtros para material seco y reemplace el filtro por un filtro de espuma para aplicaciones húmedas RIDGID. No retire la jaula del filtro ni el flotador. El filtro de espuma está diseñado específicamente para recoger grandes volúmenes de líquido. Si se utiliza el filtro de papel y éste se satura, es posible que usted vea salir "niebla" por el orificio de soplado.
3. Cuando el tambor está "lleno", el flotador subirá y cortará la circulación de aire. El sonido del motor aumentará de tono y su velocidad se incrementará, indicando que el tambor está "lleno". APAGUE la aspiradora y desenchufe el cable de alimentación antes de vaciar el tambor.

FUNCIONAMIENTO

- Después de usar la aspiradora para recoger residuos mojados, deje que el filtro se seque completamente para evitar la formación de moho y daños al filtro.

IMPORTANTE: Para reducir el riesgo de daños a la aspiradora, no tenga en marcha el motor con el flotador en la posición elevada.

⚠ ADVERTENCIA:

No utilice la aspiradora sin la jaula del filtro y el flotador, ya que estas piezas evitan que entre líquido en el impulsor y dañe el motor.

VACIADO DEL TAMBOR (Fig. 5)

⚠ ADVERTENCIA:

Para reducir el riesgo de lesiones por causa de un arranque accidental, desenchufe el cable de alimentación antes de vaciar el tambor.

- Desenchufe el cable de alimentación de la fuente de alimentación.
- Para vaciar de contenido el tambor para polvo (B), simplemente levante los dos pestillos del tambor ubicados en el lado de la aspiradora. Luego, levante el cabezal del motor (A) y sepárelo del tambor para polvo (B).
- Coloque el cabezal del motor (A) en posición invertida sobre un área limpia y seca mientras vacía el tambor para polvo (B) o cambia el filtro (C).
- Vacíe el tambor para polvo (B) en un recipiente de eliminación de residuos adecuado.
- El tambor para polvo (B) se deberá vaciar y limpiar antes de almacenar la aspiradora.

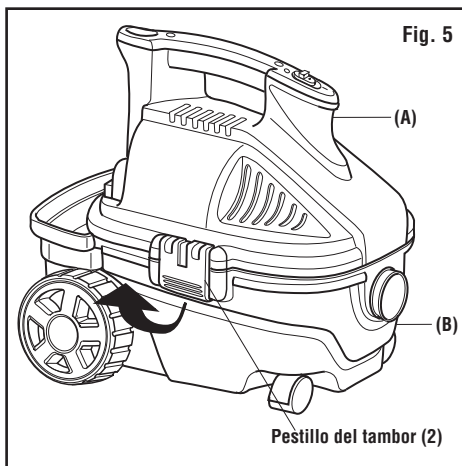


Fig. 5

DISPOSITIVO DE SOPLADO (Fig. 6)

Su aspiradora cuenta con un orificio de soplado. Tiene capacidad para soplar aserrín y otros residuos. Siga los pasos que se indican a continuación para utilizar la aspiradora como soplador.

- Localice el orificio de soplado, ubicado en la parte trasera del ensamblaje del cabezal del motor (A) de la aspiradora para seco/mojado.
- Inserte el extremo más grande de la manguera (I) en el orificio de soplado. Acople la lengüeta de fijación de la manguera en el labio del orificio de soplado. La manguera debe acoplarse a presión en su sitio.
- ENCIENDA la aspiradora y estará listo para utilizarla como soplador.
- Para retirar la manguera de la aspiradora:** APAGUE la aspiradora. Presione la lengüeta de fijación de la manguera y jale la manguera directamente hacia fuera del orificio de soplado.

⚠ ADVERTENCIA:

Use siempre protectores oculares de seguridad que cumplan con la norma ANSI Z87.1 (o en Canadá, con la norma CSA Z94.3) antes de utilizar la aspiradora como soplador.

⚠ ADVERTENCIA:

Para reducir el riesgo de lesiones a las personas que estén presentes, manténgalas alejadas de los residuos soplados.

⚠ PRECAUCIÓN:

Use una máscara antipolvo si el soplado genera polvo que podría ser inhalado.

⚠ PRECAUCIÓN:

Para reducir el riesgo de daños a la audición, use protectores de oídos cuando utilice la aspiradora/soplador durante muchas horas seguidas o cuando la utilice en un área ruidosa.

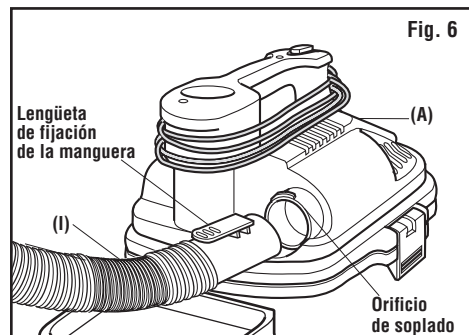


Fig. 6

ALMACENAMIENTO

Cuando se haya completado la aspiración, su aspiradora para seco/mojado RIDGID tiene convenientes ubicaciones de almacenamiento.

ALMACENAMIENTO DE LOS ACCESORIOS (Fig. 7)

1. La boquilla para auto (H) se almacena en el compartimiento para la boquilla para auto, ubicado encima del asa.
2. El recipiente de almacenamiento de accesorios alberga la boquilla utilitaria (F) y tres tubos extensores (G).

Para fijar los tubos extensores (G), deslice el extremo grande de cada tubo extensor sobre el recipiente de almacenamiento de accesorios de la manera que se muestra en la Figura 7.

ALMACENAMIENTO DEL CABLE DE ALIMENTACIÓN (Fig. 8)

1. **Para almacenar el cable:** Enrolle el cable de alimentación alrededor de la parte superior del asa de la aspiradora.
2. Fije el cable de alimentación utilizando el clip para el cable ubicado en el enchufe polarizado.

ALMACENAMIENTO DE LA MANGUERA (Fig. 8)

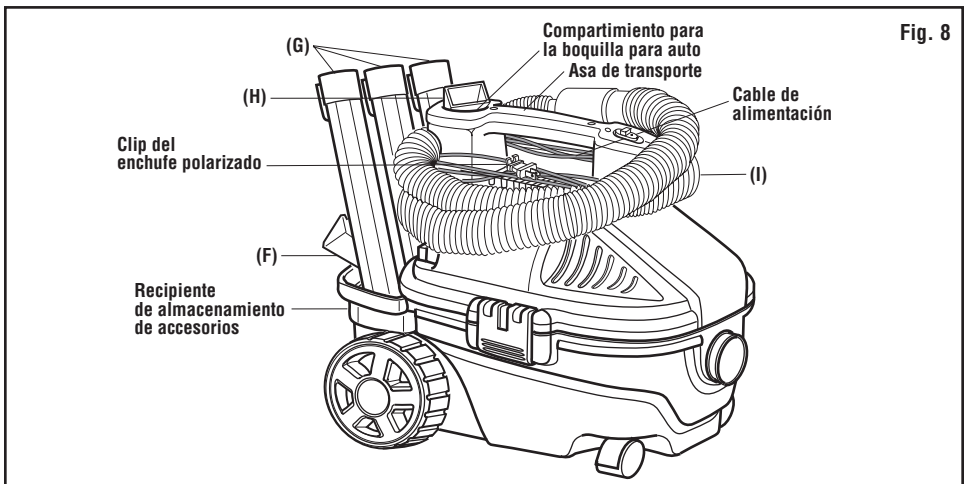
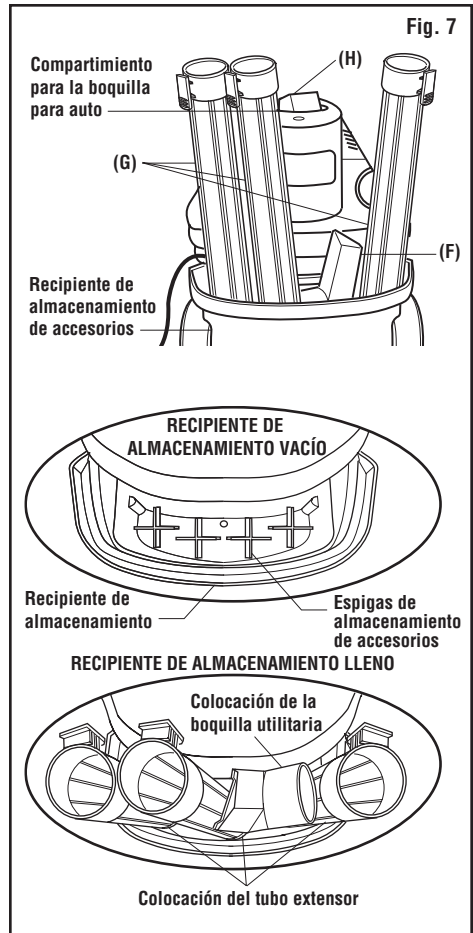
1. Enrolle la manguera (I) alrededor de la aspiradora de la manera que se muestra en la ilustración y coloque el extremo giratorio pequeño dentro del extremo grande.

⚠ ADVERTENCIA:

No ponga ningún objeto en las aberturas de ventilación. No recoja nada con la aspiradora cuando cualquiera de las aberturas de ventilación esté bloqueada; mantenga dichas aberturas libres de polvo, pelusa, pelo o cualquier cosa que pueda reducir el flujo de aire.

⚠ PRECAUCIÓN:

No utilice la aspiradora mientras la manguera aún esté enrollada alrededor del ensamblaje del cabezal del motor en la posición de almacenamiento.



MANTENIMIENTO

FILTRO

⚠️ ADVERTENCIA:

Para reducir el riesgo de lesiones debidas a un arranque accidental, desenchufe el cordón de energía antes de cambiar o limpiar el filtro.

NOTA: Este filtro (C) está hecho de papel de alta calidad diseñado para detener partículas de polvo muy pequeñas. El filtro se puede usar para recoger material seco o pequeñas cantidades de líquido. Maneje el filtro cuidadosamente al quitarlo o al instalarlo. Es posible que se produzcan arrugas en los pliegues del filtro, pero dichas arrugas no afectarán el rendimiento del filtro.

REMOCIÓN E INSTALACIÓN DEL FILTRO QWIK LOCK™ (Fig. 9)

1. Para desinstalar el filtro: Coloque los dedos debajo de las dos lengüetas del filtro.
2. Mientras presiona hacia abajo con un pulgar sobre el espárrago Qwik Lock™ que sobresale a través del centro de la placa del filtro, levante las lengüetas hasta que el filtro se libere.
3. Deslice el filtro hasta separarlo de la jaula del filtro. La jaula del filtro y el flotador no se deberán retirar.

IMPORTANTE: Para evitar daños a la rueda del soplador y al motor, reinstale siempre el filtro antes de utilizar la aspiradora para recoger residuos secos.

4. Para instalar el filtro: Deslice el filtro Qwik Lock™ (C) sobre la jaula del filtro mientras alinea el espárrago Qwik Lock™ ubicado en la jaula del filtro con el agujero central de la placa del filtro integrada Qwik Lock™.
5. Asegúrese de que la empaquetadura de goma ubicada en la parte inferior del filtro Qwik Lock™ (C) se asiente alrededor de la base de la jaula del filtro.
6. Presione firmemente la placa del filtro integrada Qwik Lock™ hacia abajo alrededor del espárrago Qwik Lock™ hasta se acople a presión en la posición correcta.

NOTA: Si la empaquetadura inferior y la placa del filtro integrada no se asientan correctamente en la jaula del filtro, el resultado podría ser que los residuos rebasen el filtro.

El filtro se debe limpiar a menudo para mantener un rendimiento óptimo de la aspiradora.

⚠️ ADVERTENCIA:

No utilice la aspiradora sin la jaula del filtro y el flotador, ya que estas piezas evitan que entre líquido en el impulsor y dañe el motor.

⚠️ ADVERTENCIA:

Para garantizar la SEGURIDAD y CONFIABILIDAD del producto, cualquier otro mantenimiento, reparación y ajuste deberá ser realizado por centros de servicio Autorizados, utilizando siempre piezas de repuesto RIDGID.

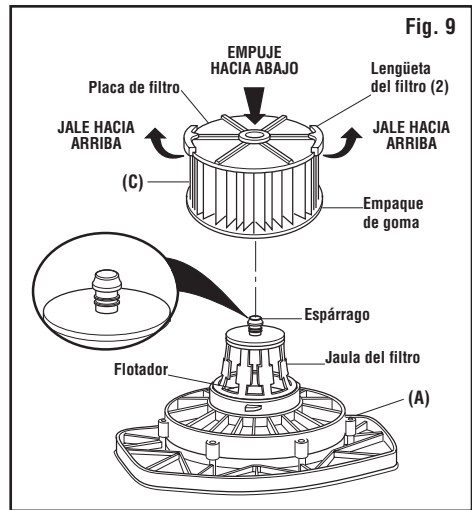


Fig. 9

LIMPIEZA DE UN FILTRO SECO

1. Se puede lograr una extracción parcial de residuos sin quitar el filtro de la aspiradora. Golpee la parte superior de la tapa con la mano mientras la aspiradora está APAGADA.
2. Para obtener óptimos resultados de limpieza debido a la acumulación de polvo, limpie el filtro en un área abierta.
3. Después de quitar el filtro de la aspiradora, saque los residuos secos golpeando suavemente el filtro contra la pared interior del tambor para polvo. Los residuos se soltarán y caerán.
4. Para una limpieza a fondo del filtro seco con polvo fino (sin residuos), haga pasar agua a través del filtro tal como se describe bajo "Limpieza de un filtro mojado".

LIMPIEZA DE UN FILTRO MOJADO

Después de quitar el filtro, haga pasar agua a través de él usando una manguera o desde una espita. Tenga cuidado de que la presión del agua procedente de la manguera no sea tan fuerte como para dañar el filtro.

IMPORTANTE: Después de limpiar el filtro, compruebe si éste tiene desgarraduras o agujeros pequeños. No use un filtro que tenga agujeros o desgarraduras. Incluso un agujero pequeño puede hacer que se salga mucho polvo de la aspiradora. Cámbielo inmediatamente.

Deje que el filtro se seque antes de reinstalarlo y almacenar la aspiradora o recoger residuos secos.

PIEZAS DE REPUESTO

Aspiradora para mojado/seco de 4 galones EE.UU. (15 litros)
Número de modelo WD40701 / WD4070EX1 / WD4071M1

Clasificaciones eléctricas:

WD40701: 120 V 9 A 60 Hz

WD4070EX1: 230 V~ 4,7 A 50/60 Hz

WD4071M1: 120 V~ 9 A 60 Hz

Las piezas RIDGID se encuentran disponibles
en línea conectándose a store.ridgid.com/wetdry

Pida siempre por número de pieza –no por número de clave

⚠ ADVERTENCIA:

SERVICIO DE AJUSTES Y REPARACIONES DE UNA ASPIRADORA PARA MOJADO/SECO CON AISLAMIENTO DOBLE

En una aspiradora para mojado/seco con aislamiento doble se proporcionan dos sistemas de aislamiento en vez de conexión a tierra. No se proporciona ningún medio de conexión a tierra en un aparato electrodoméstico con aislamiento doble, ni se debe añadir a éste ningún medio de conexión a tierra. El servicio de ajustes y reparaciones de una aspiradora para mojado/seco con aislamiento doble requiere extremado cuidado y conocimiento del sistema, y debe ser realizado únicamente por personal de servicio competente. Las piezas de repuesto para la aspiradora para mojado/seco con aislamiento doble deben ser idénticas a las piezas que reemplazan. La aspiradora para mojado/seco con aislamiento doble está marcada con las palabras "DOUBLE INSULATED" (con aislamiento doble) y puede que el símbolo (un cuadrado dentro de un cuadrado) también esté marcado en los aparatos.

Para reducir el riesgo de lesiones por causa de descargas eléctricas, desenchufe el cordón de energía antes de hacer servicio de ajustes y reparaciones a las piezas eléctricas de la aspiradora para mojado/seco.

⚠ ADVERTENCIA:

Para reducir el riesgo de lesiones por causa de descargas eléctricas, desenchufe el cordón de energía antes de hacer servicio de ajustes y reparaciones a las piezas eléctricas de la aspiradora para mojado/seco.

⚠ ADVERTENCIA:

Todo el desmontaje y todas las reparaciones deberán ser realizados por personal calificado.

Este producto tiene una Política de garantía de satisfacción por 90 días, así como una Garantía limitada de por vida. Para obtener los detalles de la Garantía y de la Política, visite RIDGID.com/VacWarranty o llame al 1-800-4-RIDGID.



EMERSON

www.RIDGID.com

© 2021 Emerson

No. de pieza SP7120

No. de formulario SP7120

Impreso en México 07/21

INSTRUCTIONS IMPORTANTES RELATIVES À LA SÉCURITÉ

La sécurité est une combinaison de faire preuve de bon sens, rester vigilant et savoir comment votre aspirateur de liquides et de poussières (l'« aspirateur ») fonctionne.

Termes de signalisation de questions de sécurité



DANGER : Indique une situation dangereuse qui, si elle n'est pas évitée, causera la mort ou une blessure grave.



AVERTISSEMENT : Indique une situation dangereuse qui, si elle n'est pas évitée, risque de causer la mort ou une blessure grave.



MISE EN GARDE : Indique une situation dangereuse qui, si elle n'est pas évitée, pourrait causer une blessure légère ou modérée, ou des dommages matériels.

Prenez toujours des précautions élémentaires, notamment les précautions suivantes, lorsque vous utilisez votre aspirateur de liquides et de poussières :



AVERTISSEMENT : – Pour réduire le risque d'incendie, de choc électrique ou de blessure :

- Lisez et comprenez ce manuel et toutes les étiquettes placées sur l'aspirateur de liquides et de poussières avant de mettre celui-ci en marche.
- N'utilisez l'aspirateur que comme cela est décrit dans ce mode d'emploi.
- Ne laissez pas en marche pendant que vous êtes absent – vous vous risqueriez de manquer des signes importants indiquant un fonctionnement anormal, comme une perte de puissance d'aspiration, la sortie de débris ou de liquides par la bouche de soufflage d'air ou des bruits anormaux en provenance du moteur. Cessez immédiatement d'utiliser l'aspirateur si vous constatez de tels signes.
- Ne laissez pas l'aspirateur sans surveillance quand il est branché dans une prise de courant. Débranchez-le de la prise quand il n'est pas utilisé et avant toute opération de maintenance.
- Des étincelles à l'intérieur du moteur risquent de mettre feu à des vapeurs ou poussières inflammables. Pour réduire le risque d'incendie ou d'explosion : n'utilisez pas à proximité de gaz ou de liquides inflammables ou combustibles, ou de poussières explosives, comme de l'essence automobile ou d'autres fiouls, de l'essence à briquet, des produits de nettoyage, de la peinture à l'huile, du gaz naturel, de la poussière de charbon, de la poussière de magnésium, de la poussière d'aluminium, de la poussière de céréales ou de la poudre noire.
- N'aspirez jamais de matières en train de brûler ou des matières fumigènes, telles que des cigarettes, des allumettes ou des cendres chaudes.
- Videz le tambour après chaque utilisation pour éviter le risque d'auto-inflammation des débris du tambour. Les matériaux combustibles, tels que des chiffons ou de la sciure contenant des colorants ou de l'uréthane, peuvent être des sources d'une telle surchauffe.
- N'aspirez jamais de poussières de plaques de plâtre, de suie ou de cendres de cheminée froides lorsqu'un filtre pour aspirateur de liquides et de poussières standard. Il s'agit de poussières très fines qui risqueraient d'être projetées à nouveau dans l'air ambiant. Utilisez un filtre à poussières fines à la place.
- Pour réduire le risque d'inhalation de vapeurs toxiques, n'aspirez pas de matériaux toxiques ou dangereux, et n'utilisez pas à proximité de tels matériaux.
- Pour réduire le risque de choc électrique, n'exposez pas à la pluie et empêchez l'entrée de liquides dans le compartiment du moteur.
- Cet aspirateur de liquides et de poussières n'est pas conçu pour emploi par des personnes (y compris des enfants) ayant des capacités physiques, sensorielles ou mentales réduites, ou qui n'ont pas l'expérience ou les connaissances nécessaires, sauf en cas de supervision ou d'instructions sur l'utilisation de cet appareil par une personne responsable de leur sécurité.
- Ne laissez pas les enfants se servir de l'aspirateur comme d'un jouet. Il faut surveiller de très près quand il est utilisé par des enfants ou à proximité d'enfants.
- N'utilisez pas avec un filtre déchiré ou sans avoir installé de filtre, sauf quand vous aspirez des liquides, comme cela est décrit dans ce mode d'emploi. Des débris secs capturés par la roue risquent d'endommager le moteur ou d'être expulsés à nouveau dans l'air ambiant.
- Éteignez l'aspirateur avant de le débrancher.
- Pour réduire le risque de blessure pouvant être causée par une mise en marche accidentelle, débranchez le cordon d'alimentation avant de changer le filtre ou de le nettoyer.
- Ne débranchez pas en tirant sur le cordon. Pour débrancher, saisissez la fiche – pas le cordon.
- N'utilisez pas l'aspirateur avec une fiche, un cordon ou un autre composant endommagé. Si votre aspirateur ne fonctionne pas comme il faut, s'il manque des pièces, s'il quelqu'un l'a laissé tomber, s'il est endommagé, s'il a été laissé à l'extérieur ou s'il est tombé dans de l'eau, téléphonez au service d'assistance à la clientèle.
- Ne tirez pas l'aspirateur et ne le portez pas par son cordon, n'utilisez pas le cordon pour servir de poignée, ne fermez pas une porte sur le cordon et ne laissez pas le cordon tendu passer sur des bords ou des coins tranchants. Ne traînez pas l'aspirateur sur son cordon. Maintenez le cordon à distance des surfaces chauffées.
- Ne touchez pas la fiche, l'interrupteur ou l'aspirateur avec des mains mouillées.
- Utilisez seulement des cordons de rallonge qui sont conçus pour emploi à l'extérieur. Les cordons de rallonge en mauvais état ou trop petits en termes de calibre des fils peuvent poser des risques d'incendie et de choc électrique. Pour réduire le risque de tels dangers, inspectez les cordons pour vous assurer qu'ils sont en bon état et que le liquide n'entre pas en contact avec le raccordement. N'utilisez pas de cordons de rallonge dont les conducteurs ont un calibre inférieur à 1,3 mm² (16 AWG).
- Cet aspirateur de liquides et de poussières a une double isolation, ce qui élimine le besoin d'un système de mise à la terre séparé. Utilisez seulement des pièces de rechange identiques. Lisez les instructions concernant l'entretien des aspirateurs de liquides et de poussières à double isolation avant toute opération d'entretien.
- Ne mettez aucun objet dans les orifices de ventilation. N'aspirez pas quand de quelconques orifices de ventilation sont obstrués; assurez-vous que ces orifices ne sont pas bloqués par de la poussière, de la peluche, des cheveux ou de quelconques objets pouvant réduire la circulation de l'air.
- Gardez les cheveux, les vêtements flottants, les doigts et toutes les parties du corps à distance des orifices et des pièces mobiles.
- Pour réduire le risque de chute, faites très attention lorsque vous utilisez l'aspirateur dans des escaliers.
- Pour réduire le risque de blessure ou le risque d'endommagement de l'aspirateur, n'utilisez que des accessoires recommandés par RIDGID.
- En cas d'utilisation de l'aspirateur comme soufflante :
 - Ne dirigez la décharge d'air que vers la zone de travail.
 - Ne dirigez pas l'air vers des personnes présentes à proximité.
 - Gardez les enfants à distance lors du fonctionnement de la soufflante.
 - N'utilisez la soufflante que pour souffler des saletés et des débris.
 - N'utilisez pas en guise de pulvérisateur.
- Pour réduire le risque de blessure pour les yeux, portez des lunettes de sécurité. L'utilisation de toute soufflante ou de tout aspirateur utilitaire peut toujours causer la projection de corps étrangers dans les yeux, ce qui risque d'entraîner des blessures graves aux yeux.

INSTRUCTIONS IMPORTANTES RELATIVES À LA SÉCURITÉ

MISE EN GARDE :

- Pour réduire le risque de perte auditive, portez des protecteurs d'oreilles lorsque vous vous servez de l'aspirateur pendant plusieurs heures ou quand vous l'utilisez dans un endroit bruyant.
- Portez un masque antipoussières en cas d'utilisation dans un environnement poussiéreux.
- Les décharges statiques sont fréquentes dans les endroits secs ou lorsque l'humidité relative de l'air ambiant est faible. L'aspiration de débris fins avec votre aspirateur peut déposer une charge statique sur le tuyau ou sur l'aspirateur. La meilleure chose à faire pour réduire la fréquence des décharges statiques chez vous ou lorsque vous utilisez cet aspirateur consiste à ajouter de l'humidité dans l'air avec un humidificateur.

Observez les avertissements suivants qui figurent sur le carter du moteur de votre aspirateur :



DOUBLEMENT ISOLÉ. MISE À LA TERRE NON NÉCESSAIRE.
POUR L'ENTRETIEN, N'UTILISEZ QUE DES PIÈCES DE RECHANGE IDENTIQUES.

AVERTISSEMENT :

- Pour votre propre sécurité, lisez et comprenez le manuel de l'opérateur.
- Ne laissez jamais l'aspirateur en marche sans surveillance.
- Ne ramassez pas de cendres chaudes, de charbon, de matériaux inflammables, combustibles/auto-inflammables, de matériaux toxiques ou d'autres matériaux dangereux.
- N'utilisez pas à proximité de vapeurs ou de liquides explosifs.

AVERTISSEMENT :

Pour réduire le risque de choc électrique – n'exposez pas à la pluie – rangez à l'intérieur.

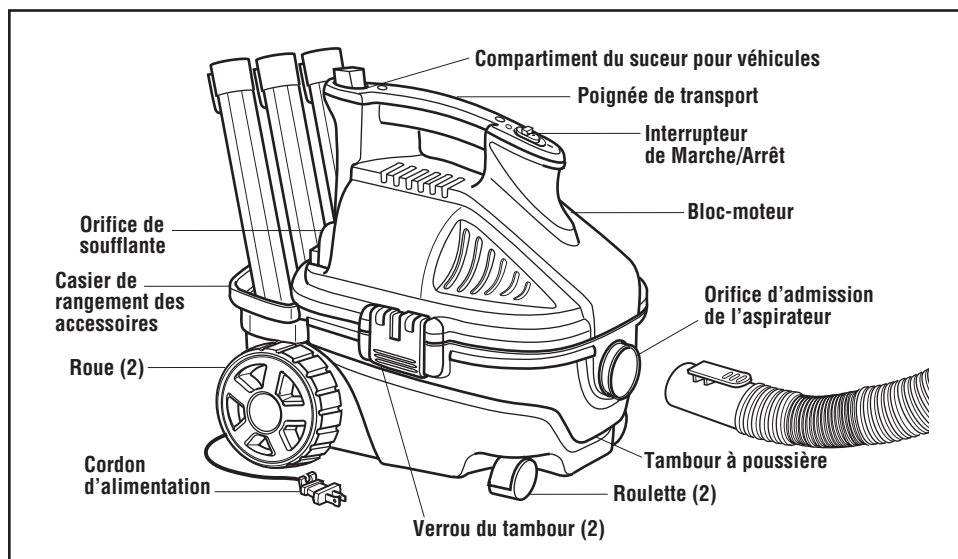
CONSERVER CE MANUEL

INTRODUCTION

Cet aspirateur de liquides et de poussières a été conçu pour une utilisation ménagère uniquement. Il peut être utilisé de façon non commerciale ou industrielle pour l'aspiration de débris humides ou secs, mais aussi comme une soufflante. Sa conception légère lui permet d'être utilisé pour la plupart des travaux ménagers d'aspiration.

Familiarisez-vous avec les fonctions suivantes de ce produit, et lisez le manuel de l'opérateur du début à la fin pour des détails spécifiques quant à l'utilisation de votre nouvel aspirateur de liquides et poussières.

APPRENDRE À CONNAÎTRE VOTRE ASPIRATEUR DE LIQUIDES ET DE POUSSIÈRES



Familiarisez-vous avec les commandes et les fonctions de votre aspirateur avant de le faire fonctionner. Il faut bien se familiariser avec les accessoires qui ont été inclus avec cet aspirateur. Chaque accessoire peut être utilisé de façons multiples pour l'aspiration ou le soufflage de débris. Voici une liste des accessoires et des divers moyens de les utiliser :

Tuyau flexible à verrouillage positif Tug-A-Long avec Dual-Flex – Permet de transférer la capacité d'aspirer ou de souffler sur le site de travail. Fournit le moyen de connecter des tubes de rallonge et des suceurs.

Suceur à usages multiples – Suceur d'utilité générale servant à la plupart des applications de nettoyage avec un aspirateur.

Suceur pour véhicules – Suceur pour aspirer les matériaux secs lors du nettoyage des intérieurs et de la plupart des garnitures de véhicules.

Tubes de rallonge – Ces tubes peuvent être connectés ensemble et fournir une longueur supplémentaire pour atteindre des endroits plus éloignés.

INTRODUCTION

DÉBALLAGE

Retirez tous les éléments se trouvant dans la boîte en carton. Inspectez chaque élément en le comparant à la liste incluse dans la boîte en carton.

Si de quelques pièces sont endommagées ou manquantes, téléphonez au 1-800-4-RIDGID (1-800-474-3443) depuis les É.-U. ou le Canada, 01-800-701-9811 depuis le Mexique, ou contactez-nous au info@ridgidvac.com.

LISTE DU CONTENU DE LA BOÎTE EN CARTON (Fig. 1)

Légende	Description	Qté
A*	Ensemble de bloc-moteur	1
B*	Ensemble de tambour à poussière	1
C*	Filtre Qwik Lock™	1
D*	Roue arrière	2
E*	Roulette	2
F	Suceur à usages multiples	1
G	Tube de rallonge	3
H	Suceur pour véhicules	1
I	Tuyau flexible à verrouillage positif Tug-A-Long avec Dual-Flex	1
J	Mode d'emploi	1

* Ces pièces ont été assemblées à l'usine.

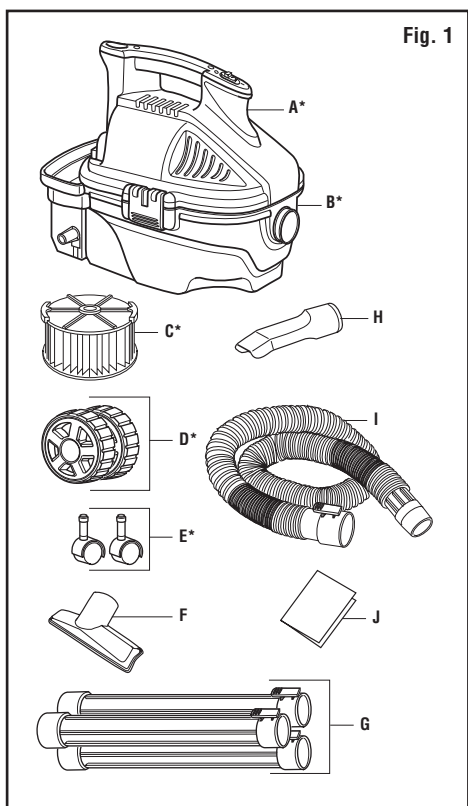


Fig. 1

ASSEMBLAGE

ASSEMBLAGE DE L'ASPIRATEUR DE LIQUIDES ET DE POUSSIÈRES (Fig. 2)

1. **Fixation de l'ensemble de bloc-moteur sur le tambour à poussière** : Placez l'ensemble de bloc-moteur (A) sur le dessus du tambour à poussière (B) de façon à ce que l'interrupteur soit aligné sur l'orifice d'admission de l'aspirateur. Assurez-vous que l'ensemble de bloc-moteur est bien en place sur le tambour à poussière.
2. Appuyez sur les deux verrous situés de chaque côté du tambour à poussière (B) jusqu'à ce qu'ils s'enclenchent, fixant l'ensemble de bloc-moteur sur le tambour à poussière.
3. **Pour déposer l'ensemble de bloc-moteur** : Tirez sur les deux verrous et soulevez l'ensemble de bloc-moteur du tambour à poussière. Ne forcez pas les verrous à tourner plus que légèrement en dehors de la bride du tambour.

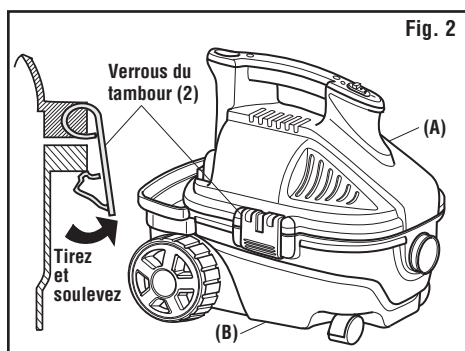


Fig. 2

ATTACHEMENT ET RETRAIT DU TUYAU FLEXIBLE DE L'ASPIRATEUR (Fig. 3)

1. **Pour insérer le tuyau flexible** : Localisez l'extrémité la plus grande du tuyau flexible Tug-A-Long avec Dual-Flex à verrouillage positif (I). Enfoncez le tuyau flexible Tug-A-Long avec Dual-Flex à verrouillage positif dans l'orifice d'admission de l'aspirateur. Engagez la languette de verrouillage du tuyau flexible sur le rebord de l'orifice d'admission de l'aspirateur. Le tuyau flexible Tug-A-Long avec Dual-Flex à verrouillage positif devrait alors s'enclencher en place.
2. **Pour retirer le tuyau flexible** : Appuyez sur la languette de verrouillage du tuyau flexible et tirez tout droit sur le tuyau flexible pour le faire sortir de l'orifice d'admission de l'aspirateur.

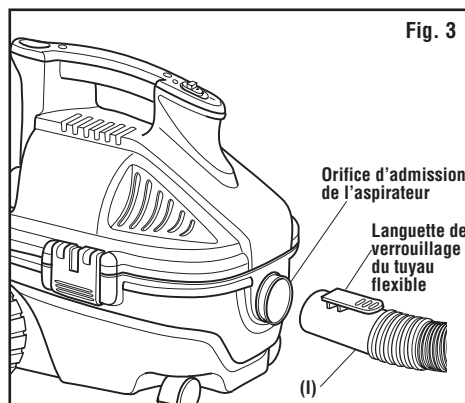


Fig. 3

FONCTIONNEMENT

⚠ AVERTISSEMENT : Pour réduire le risque d'incendie, d'explosion ou d'endommagement de l'aspirateur :

- Ne laissez pas en marche pendant que vous êtes absent – vous vous risqueriez de manquer des signes importants indiquant un fonctionnement anormal, comme une perte de puissance d'aspiration, la sortie de débris ou de liquides par la bouche de soufflage d'air ou des bruits anormaux en provenance du moteur. Cessez immédiatement d'utiliser l'aspirateur si vous constatez de tels signes.
- Ne laissez pas l'aspirateur branché lorsque vous ne l'utilisez pas.
- Ne continuez pas à utiliser l'aspirateur lorsque le flotteur a coupé l'aspiration.
- Les étincelles à l'intérieur du moteur risqueraient de mettre feu à des matières inflammables en suspension dans l'air. Ne pas utiliser l'aspirateur à proximité de liquides inflammables ou à des endroits où il y a des gaz ou des vapeurs inflammables, ou de la poussière explosive dans l'air. Les liquides, gaz et vapeurs inflammables comprennent : essence à briquet, produits de nettoyage du type solvant, peinture à base d'huile, essence, alcool et aérosols. Types de poussières explosives : charbon, magnésium, aluminium, céréales et poudre noire.
- N'aspirez pas de poussières explosives, de liquides inflammables ou de cendres chaudes.
- Ne laissez pas de sciure ou de chiffons avec des résidus de teinture ou de polyuréthane à l'intérieur de l'aspirateur. Videz le tambour après avoir ramassé ces matériaux potentiellement autochauffants.

⚠ AVERTISSEMENT : Pour réduire le risque de choc électrique ou de blessure :

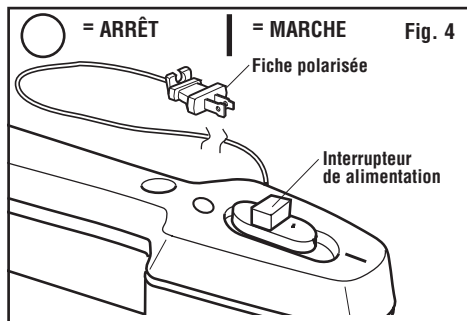
- N'exposez pas à la pluie, et ne laissez pas de liquides pénétrer dans le compartiment du moteur. Rangez à l'intérieur.
- Ne touchez pas la fiche de branchement, l'interrupteur ou l'aspirateur si vous avez les mains mouillées.
- Débrancher l'aspirateur avant d'effectuer une quelconque opération de maintenance. Si votre aspirateur ne fonctionne pas comme il devrait, s'il manque des pièces, s'il est tombé par terre ou a été endommagé, s'il a été laissé à l'extérieur ou s'il est tombé dans de l'eau, rappelez-le à un centre de service après-vente agréé ou téléphonez au service à la clientèle.
- Lorsque vous utilisez un cordon de rallonge, n'utilisez qu'un cordon prévu pour emploi à l'extérieur et en bon état. Ne laissez pas la connexion entrer en contact avec des liquides.

⚠ MISE EN GARDE : Pour réduire le risque de dommages auditifs, portez des protège-oreilles lorsque vous utilisez l'aspirateur/souffleur pendant une période prolongée ou dans une zone bruyante.

FICHE POLARISÉE / INTERRUPTEUR (Fig. 4)

Pour réduire le risque de choc électrique, cet appareil est muni d'une fiche polarisée (une lame est plus large que l'autre). Cette fiche n'est compatible avec une prise polarisée que dans un seul sens. Inverser la fiche si elle n'entre pas complètement dans la prise. Si elle n'entre toujours pas, prendre contact avec un électricien qualifié pour installer une prise de courant appropriée. Ne pas altérer la fiche de quelque manière que ce soit.

Avec le cordon d'alimentation branché, allumez l'aspirateur en faisant glisser l'interrupteur vers le « I ». Pour l'éteindre, faites glisser l'interrupteur vers le « O ». Les symboles utilisés de chaque côté de l'actionneur de l'interrupteur sont les symboles internationaux de « Marche & Arrêt ».



ASPIRATION DE MATÉRIAUX SECS

1. Le filtre doit toujours être dans la position correcte afin d'éviter les fuites et l'endommagement possible de l'aspirateur.
2. Pour maintenir la meilleure performance possible lors de l'aspiration de poussière fine, nettoyez régulièrement le tambour et le filtre.

REMARQUE : N'utilisez pas de filtre mouillé pour ramasser des matériaux secs. Le filtre se bouchera rapidement et sera difficile à nettoyer.

3. Si le filtre est mouillé, vous devez le laisser sécher complètement ou le remplacer par un filtre sec avant d'utiliser l'aspirateur pour ramasser des matériaux secs.

ASPIRATION DE LIQUIDES

1. L'aspiration de petites quantités de liquide (moins de 5 cm (2 po) dans le tambour à poussière) ne nécessite pas la dépose du filtre.
2. Lorsque des volumes importants de liquide doivent être ramassés, retirez tous les filtres en papier conçus pour des déchets secs seulement et remplacez-les par des filtres en mousse RIDGID pour déchets humides. Ne retirez ni la cage de filtre, ni le flotteur. Le filtre en mousse est conçu spécialement pour le ramassage de grands volumes de liquide. Si le filtre en papier est utilisé et s'il devient saturé, vous pourrez voir de la « buée » sortir de l'orifice de la soufflante.

FONCTIONNEMENT

3. Lorsque le tambour est « plein », le flotteur s'élève et coupe la circulation d'air. Le bruit du moteur deviendra plus aigu en raison de la vitesse accrue du moteur indiquant que le tambour est « plein ». Arrêtez l'aspirateur, débranchez le cordon d'alimentation et videz le tambour.
4. Après l'utilisation de l'aspirateur pour le ramassage de matériaux humides, laissez le filtre sécher complètement pour éviter des moisissures et ne pas endommager le filtre.

IMPORTANT : Pour réduire le risque d'endommager l'aspirateur, il ne faut pas faire fonctionner le moteur pendant que le flotteur est en position élevée.

⚠ AVERTISSEMENT :

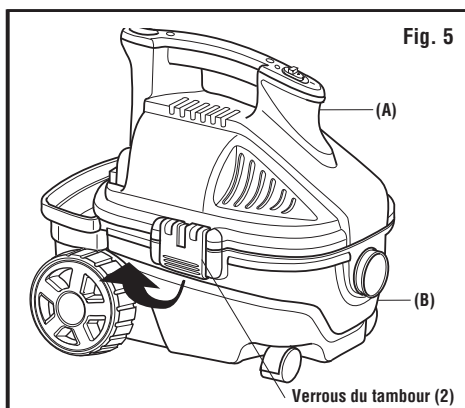
Ne faites pas fonctionner sans la cage du filtre et le flotteur étant donné qu'ils empêchent l'entrée de liquide dans la roue et protègent ainsi le moteur contre les dommages pouvant en résulter.

VIDAGE DU TAMBOUR À POUSSIÈRE (Fig. 5)

⚠ AVERTISSEMENT :

Pour réduire le risque de blessure pouvant être causée par une mise en marche accidentelle, débranchez le cordon d'alimentation avant de vider le tambour.

1. Débranchez le cordon d'alimentation de la prise.
2. Pour vider le contenu du tambour à poussière (B), soulevez simplement les deux loquets de verrouillage du tambour situés sur le côté de l'aspirateur. Puis soulevez l'ensemble de bloc-moteur (A) et détachez-le du tambour à poussière (B).
3. Posez l'ensemble de bloc-moteur (A) sens dessus-dessous sur une surface propre et sèche pendant que vous videz le tambour à poussière (B) ou que vous changez le filtre (C).
4. Videz le tambour de poussière (B) dans un récipient à ordures approprié.
5. Il faut vider et nettoyer le tambour à poussière (B) avant de ranger votre aspirateur.



FONCTION DE SOUFFLANTE (Fig. 6)

Votre aspirateur comporte un orifice de soufflante. Il peut souffler de la sciure de bois et autres débris. Suivre la procédure indiquée ci-dessous pour utiliser l'aspirateur comme une soufflante.

1. Localisez l'orifice de soufflante à l'arrière de l'ensemble de bloc-moteur (A) de l'aspirateur de liquides et de poussières.
2. Insérez l'extrémité la plus grande du tuyau flexible (I) dans l'orifice de soufflante. Engagez la languette de verrouillage du tuyau flexible sur le rebord de l'orifice de soufflante. Le tuyau devrait se mettre en place d'un coup sec.
3. Allumez l'aspirateur; vous pouvez maintenant utiliser votre aspirateur comme une souffleuse.
4. **Pour détacher le tuyau flexible de l'aspirateur :** Éteignez l'aspirateur. Appuyez sur la languette de verrouillage du tuyau flexible et tirez tout droit sur l'extrémité du tuyau flexible pour le faire sortir de l'orifice de soufflante.

⚠ AVERTISSEMENT :

Il faut toujours porter des lunettes de protection conformes à la norme ANSI Z87.1 (ou, au Canada, CSA Z94.3) avant de se servir de l'aspirateur comme une soufflante.

⚠ AVERTISSEMENT :

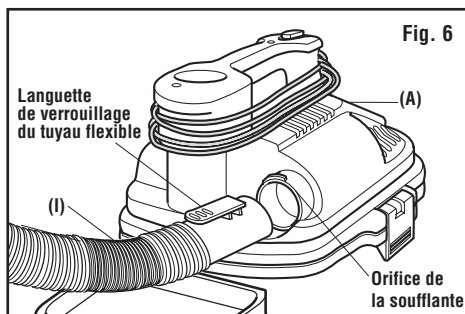
Pour ne pas risquer de causer des blessures à d'autres personnes, il est recommandé de leur demander de rester à distance suffisante des débris soufflés.

⚠ MISE EN GARDE :

Portez un masque anti-poussière si votre soufflage crée de la poussière qui pourrait être aspirée.

⚠ MISE EN GARDE :

Pour réduire le risque d'endommagement de l'ouïe, portez des protecteurs d'oreilles quand vous utilisez l'aspirateur/la souffleuse pendant de longues périodes ou quand vous l'utilisez dans un environnement bruyant.



RANGEMENT

Quand vous aurez fini d'utiliser votre aspirateur de liquides et de poussières RIDGID, vous pouvez le ranger dans des endroits pratiques.

RANGEMENT DES ACCESSOIRES (Fig. 7)

1. Le suceur pour automobile (H) est rangé dans le compartiment prévu pour ce suceur, au-dessus de la poignée.
2. Le casier de rangement des accessoires contient le suceur à usages multiples (F) et trois tubes de rallonge (G).

Pour sécuriser les tubes de rallonge (G), faites glisser l'extrémité la plus grande de chaque tube sur la broche de rangement des accessoires, comme illustré à la Figure 7.

RANGEMENT DU CORDON (Fig. 8)

1. **Rangement du cordon :** Enroulez le cordon d'alimentation autour du haut de la poignée sur l'aspirateur.
2. Sécurisez le cordon d'alimentation au moyen de la pince de fixation du cordon sur la fiche polarisée.

RANGEMENT DU TUYAU FLEXIBLE (Fig. 8)

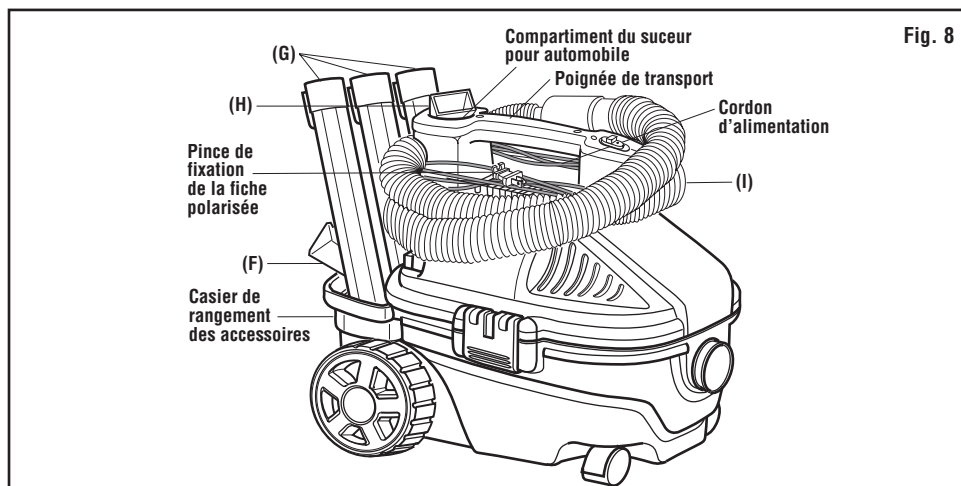
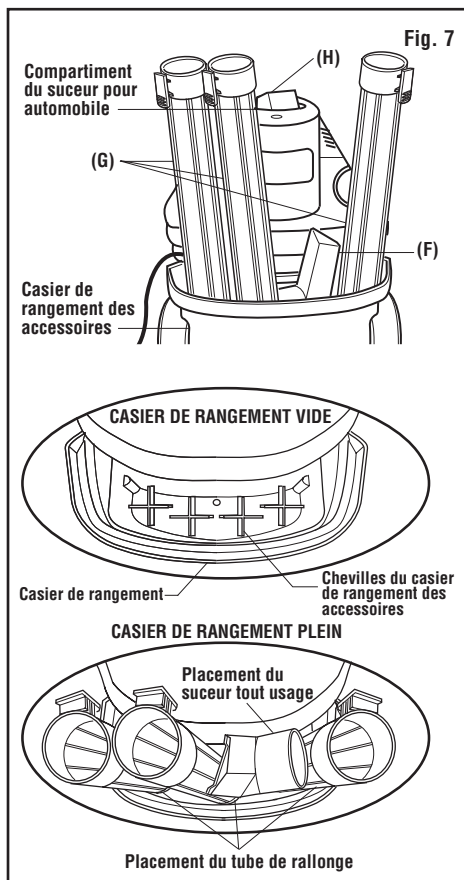
1. Enroulez le tuyau flexible (I) autour de l'aspirateur comme illustré, et placez le petit bout pivotant à l'intérieur du bout de plus grand diamètre.

⚠ MISE EN GARDE :

N'utilisez pas l'aspirateur pendant que le tuyau flexible est toujours enroulé autour de l'ensemble de bloc-moteur dans la position de rangement.

⚠ AVERTISSEMENT :

Ne mettez aucun objet dans les orifices de ventilation. N'aspirez pas quand de quelconques orifices de ventilation sont obstrués; assurez-vous que ces orifices ne sont pas bloqués par de la poussière, de la peluche, des cheveux ou de quelconques objets pouvant réduire la circulation de l'air.



ENTRETIEN

FILTRE

AVERTISSEMENT :

Pour réduire le risque de blessure pouvant être causée par une mise en marche accidentelle, débranchez le cordon d'alimentation avant de changer le filtre ou de le nettoyer.

REMARQUE : Le filtre (C) est fait de papier de qualité élevée conçu pour intercepter les très petites particules de poussière. Le filtre peut être utilisé pour l'aspiration de déchets secs ou de petites quantités de liquide. Manipuler le filtre avec précaution lors de son nettoyage ou de son installation. Les plis du filtre peuvent être froissés pendant l'installation, mais cela n'aura aucune influence sur la performance du filtre.

RETRAIT ET INSTALLATION DU FILTRE QWIK LOCK™ (Fig. 9)

1. **Retrait du filtre :** Placez les doigts sous les deux languettes du filtre.
2. Tout en appuyant avec un pouce sur le goujon Qwik Lock™ qui dépasse par centre de la plaque de filtre, soulevez les languettes jusqu'à ce que le filtre se libère.
3. Faites glisser le filtre hors de la cage de filtre. La cage du filtre et le flotteur ne doivent pas être retirés.

IMPORTANT : Pour éviter d'endommager la roue de soufflante et le moteur, réinstallez toujours le filtre avant d'utiliser l'aspirateur pour le ramassage de matériaux secs.

4. **Installation du filtre :** Faites glisser le filtre Qwik Lock™ (C) par-dessus la cage de filtre tout en alignant le goujon Qwik Lock™ de la cage de filtre avec l'orifice central de la plaque de filtre intégré Qwik Lock™.
5. Assurez-vous que le joint en caoutchouc au bas du filtre Qwik Lock™ (C) se met en place autour de la base de la cage du filtre.
6. Appuyez fermement sur la plaque de filtre intégré Qwik Lock™ autour du goujon Qwik Lock™ jusqu'à ce qu'elle s'enclenche en place.

REMARQUE : Si vous n'installez pas correctement le joint inférieur et la plaque de filtre intégrée sur la cage du filtre, des débris pourraient contourner le filtre.

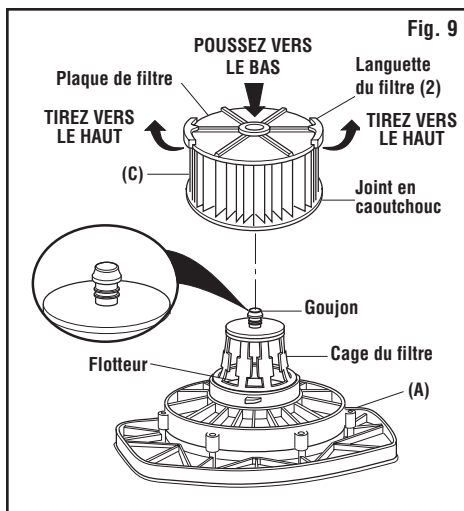
Il faut nettoyer souvent le filtre pour ne pas affecter la performance optimale de l'aspirateur.

AVERTISSEMENT :

Ne faites pas fonctionner sans la cage du filtre et le flotteur étant donné qu'ils empêchent l'entrée de liquide dans la roue et protègent ainsi le moteur contre les dommages pouvant en résulter.

AVERTISSEMENT :

Pour assurer la SÉCURITÉ et la FIABILITÉ des produits, toutes les autres opérations d'entretien, de réparation et de réglage doivent être effectuées par des centres de service après-vente agréés, en utilisant toujours des pièces de rechange RIDGID.



NETTOYAGE D'UN FILTRE SEC

1. Le retrait de certains débris secs peut être accompli sans enlever le filtre de l'aspirateur. Donner un coup avec la main sur la partie supérieure du couvercle pendant que l'aspirateur est à l'arrêt.
2. Pour obtenir les meilleurs résultats lors du nettoyage après l'accumulation de poussière, nettoyer le filtre dans un endroit non clos.
3. Après avoir retiré le filtre de l'aspirateur, retirer les débris secs, en tapotant doucement le filtre contre la paroi intérieure du tambour à poussière. Les débris se détacheront et tomberont.
4. Pour effectuer un nettoyage complet du filtre sec lorsqu'il est couvert de particules très fines (pas de débris), faire couler de l'eau à travers le filtre comme indiqué sous la rubrique « Nettoyage d'un filtre humide ».

NETTOYAGE D'UN FILTRE HUMIDE

Une fois le filtre retiré, faites couler de l'eau au travers du filtre à l'aide d'un tuyau d'arrosage ou d'un robinet. Veillez à ce que la pression de l'eau sortant du tuyau d'arrosage ne soit pas si forte qu'elle pourrait endommager le filtre.

IMPORTANT : Inspecter le filtre après le nettoyage pour s'assurer qu'il n'est pas déchiré ou troué. Ne pas utiliser un filtre déchiré ou troué. Même un petit trou peut permettre à beaucoup de poussière de sortir de l'aspirateur. Remplacer le filtre immédiatement dans ce cas.

Laissez le filtre sécher avant de le réinstaller et de ranger l'aspirateur ou de ramasser des débris secs.

PIÈCES DE RECHANGE

Aspirateur de liquides et de poussières de 4 gallons des É-U (15 litres)
Numéro de modèle WD40701 / WD4070EX1 / WD4071M1

Caractéristiques électriques nominales :

WD40701 : 120 V 9 A 60 Hz

WD4070EX1 : 230 V~ 4,7 A 50/60 Hz


WD4071M1 : 120 V~ 9 A 60 Hz

Les pièces RIDGID sont disponibles sur notre site Web
à l'adresse suivante : store.ridgid.com/wetdry


Pour commander, utiliser toujours le numéro de pièce – pas le numéro de légende

AVERTISSEMENT :

RÉPARATION DE L'ASPIRATEUR DE LIQUIDES ET DE POUSSIÈRES DOUBLEMENT ISOLÉ

Dans un aspirateur de liquides et de poussières doublement isolé, deux systèmes d'isolation sont fournis au lieu de la mise à la terre. Aucun moyen de mise à la terre n'est prévu sur un appareil électro-ménager doublement isolé, et il ne faut pas en ajouter. La réparation d'un aspirateur de liquides et de poussières doublement isolé nécessite une connaissance approfondie du système et la prise de précautions extrêmes. Une telle réparation ne doit être entreprise que par un technicien agréé. Les pièces de rechange pour un aspirateur de liquides et de poussières doublement isolé doivent être les mêmes que les pièces qu'elles remplacent. Les mots « DOUBLE INSULATED » (Doublement isolé) figurent sur l'aspirateur de liquides et de poussières doublement isolé, et le symbole  (un carré à l'intérieur d'un autre carré) peut également figurer sur les appareils.

Pour réduire le risque de blessures causées par les chocs électriques, débranchez le cordon d'alimentation avant de réparer les éléments électriques de l'aspirateur de liquides et de poussières.

 **AVERTISSEMENT :** Pour réduire le risque de blessures causées par les chocs électriques, débranchez le cordon d'alimentation avant de réparer les éléments électriques de l'aspirateur de liquides et de poussières.

 **AVERTISSEMENT :** Toutes les opérations de démontage et de réparation doivent être effectuées par des techniciens compétents.

Ce produit est accompagné d'une politique de satisfaction de 90 jours
ainsi que d'une garantie à vie limitée.

Pour plus d'information sur la garantie et la politique,
rendez-vous à RIDGID.com/VacWarranty ou appelez le 1-800-4-RIDGID.



EMERSON[™]

www.RIDGID.com

© 2021 Emerson