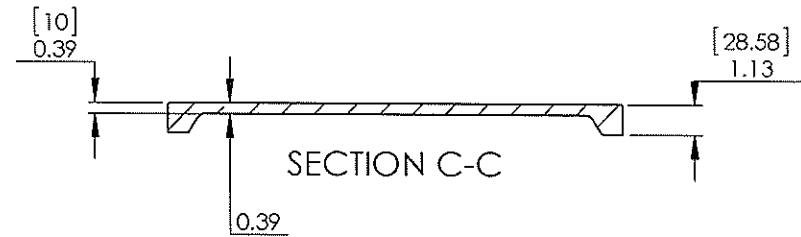
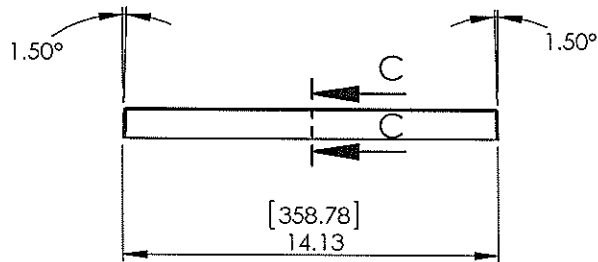
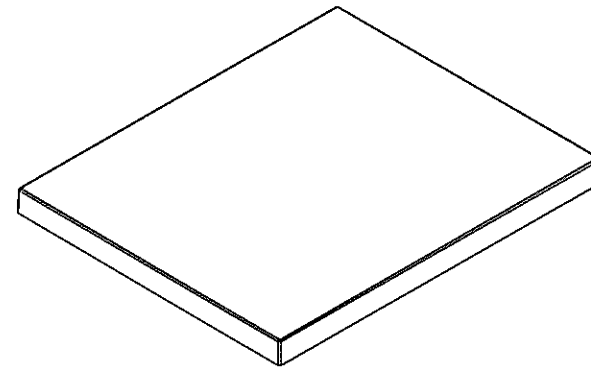
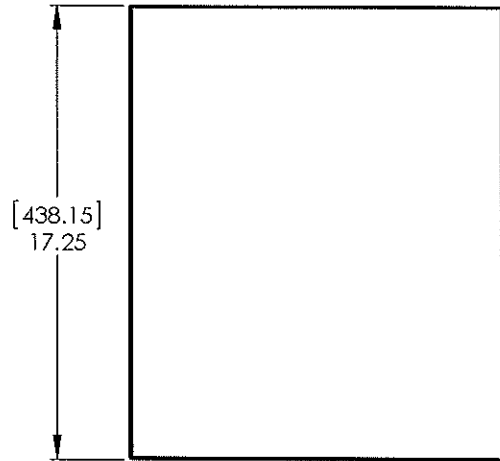



ID	Description	Technology	Status
595424	Placa 14.125x17.375 SS	Solid Surface / Caramel	Approved for production
595430	Placa 14.125x17.375 SS	Solid Surface / White Smoke	Approved for Production

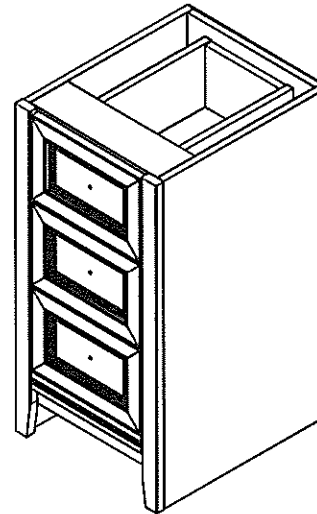
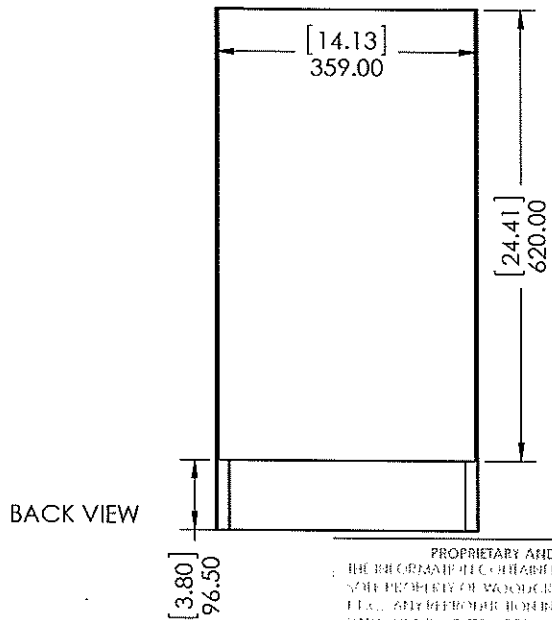
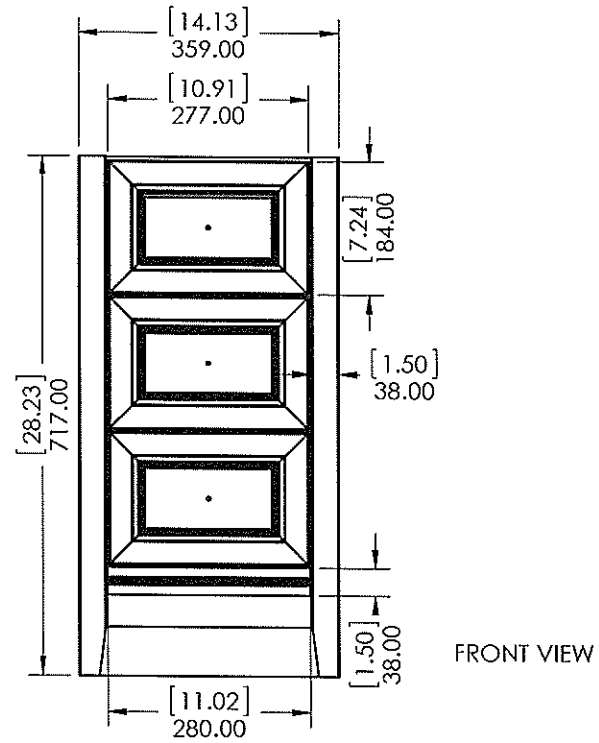
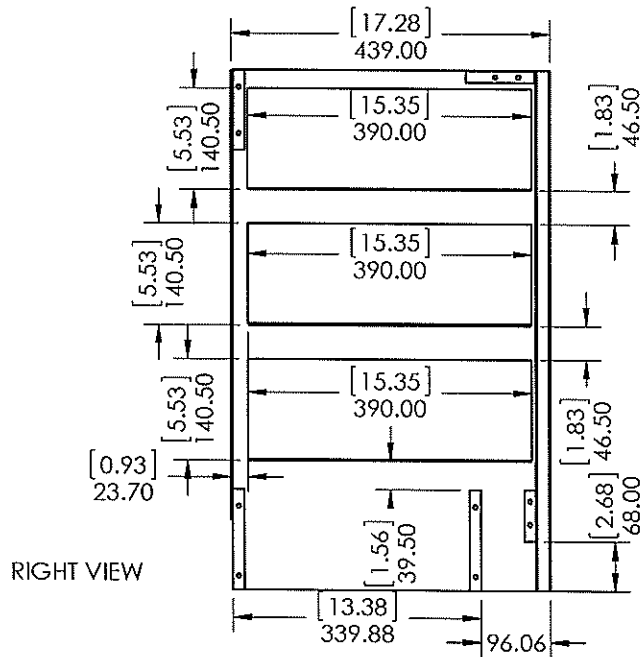
Rev. #	Approved by	Change
1	V. Sanchez	New Model Added



Total Weight: 4.4 Kg

PROPRIETARY AND CONFIDENTIAL THE INFORMATION CONTAINED IN THIS DRAWING IS THE SOLE PROPERTY OF WOODCRAFTERS. ANY REPRODUCTION IN PART OR AS A WHOLE WITHOUT THE WRITTEN PERMISSION OF WOODCRAFTERS IS PROHIBITED.	DIMENSIONS ARE IN INCHES SCALE:1:7	NAME	DATE	 Wood Crafters	SIZE DWG. NO. SHEET 3 OF 3 A Slab 14.125 x 17.375 REV 1	
		DRAWN	E. Sandoval			3/30/15
		CHECKED	E. Sandoval			3/30/15
		ENG APPR.	V. Sanchez			6/29/15
MFG APPR.	C. Leal					

ITEM ID	DESCRIPTION
MLT14P2-CH	Delridge 14in modular vanity combo 2pc - Chocolate
MLT14P2-FG	Delridge 14in modular vanity combo 2pc - Flagstone



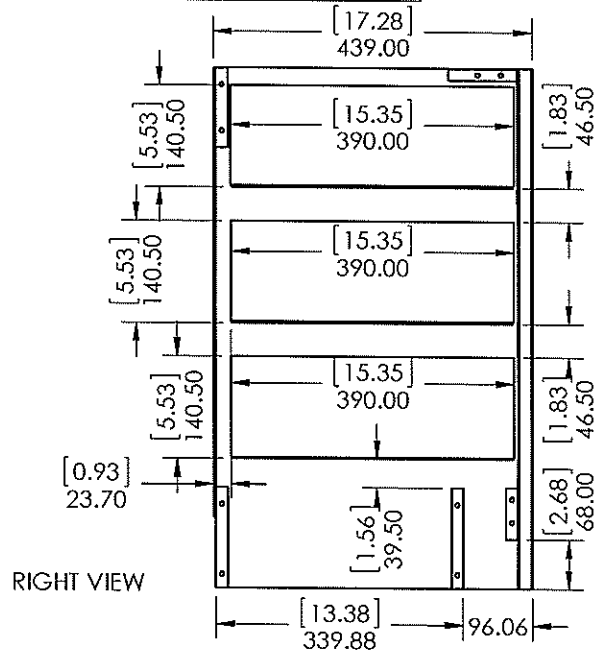
PROPRIETARY AND CONFIDENTIAL
 THE INFORMATION CONTAINED IN THIS DRAWING IS THE
 SOLE PROPERTY OF WOODBRIDGE BATH PRODUCTS
 LLC. ANY REPRODUCTION OR PART THEREOF AS A
 WHOLE OR IN PART WITHOUT THE WRITTEN PERMISSION
 OF WOODBRIDGE BATH PRODUCTS IS PROHIBITED.

UNLESS OTHERWISE SPECIFIED
 DIMENSIONS ARE IN INCHES
 (25.4mm)
 AND TOLERANCES ARE
 +/- 1.0(0.04)

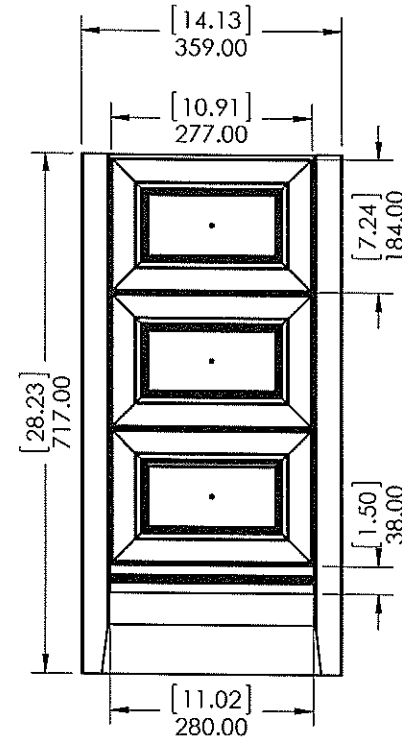
DRAWN BY: DAMC
 CHECKED BY: DAMC
 APPROVED BY: DAMC
 DATE: 7/9/15
 SCALE: 1:10

TITLE: DELDRIDGE MODULAR 14in
 SEE: A
 PART NO: PAGE 1 OF 1 REV: 0

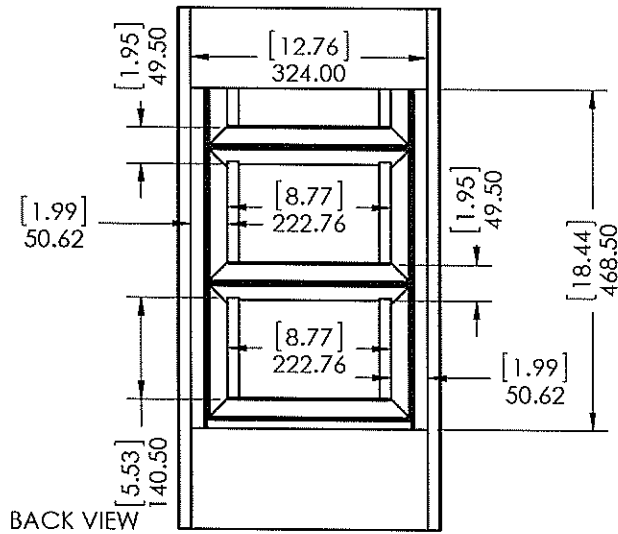
ITEM ID	DESCRIPTION
MLT14P2-CH	Delridge 14in modular vanity combo 2pc - Chocolate
MLT14P2-FG	Delridge 14in modular vanity combo 2pc - Flagstone



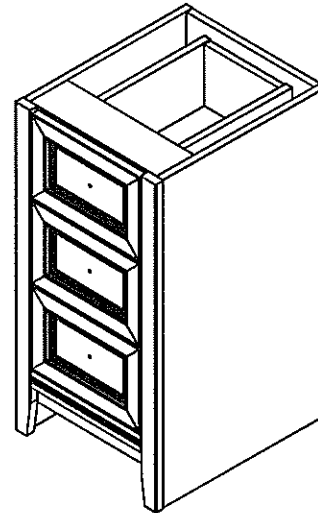
RIGHT VIEW



FRONT VIEW



BACK VIEW



ISOMETRIC VIEW

PROPRIETARY AND CONFIDENTIAL
 THE INFORMATION CONTAINED HEREIN IS THE PROPERTY OF WOODBRIDGE FURNITURE, L.L.C. ANY REPRODUCTION IN WHOLE OR IN PART WITHOUT THE WRITTEN PERMISSION OF WOODBRIDGE FURNITURE, L.L.C. IS PROHIBITED.

UNLESS OTHERWISE SPECIFIED

DIMENSIONS ARE IN mm
 (in. (mm))
 AND TOLERANCES ARE
 ±1.00 (0.04)

DRAWN BY:

DAMC 7/9/15

CHECKED BY:

DAMC 7/9/15

APPROVED BY:

DAMC 7/9/15

PROJECT/REV/NO

SCALE:1:10

TITLE:

DELDRIDGE MODULAR 14in

PART NO:

PAGE 1 OF 1

REV: 0

A