

LG 1300

MODEL 12816

- SPECIFICATIONS:

Part Number:	112816
Load Capacity:	1300 lbs.
Load Size:	10 Cubic Feet
Dimensions:	L68x W37 x H30
Overall Weight:	80 lbs.
Tires:	16 x 7.50-8
Instruction P/N	105829



Please contact customer service directly at the E-mail or phone number listed below for any quality issues. **ONCE USED THIS PRODUCT CANNOT BE RETURNED TO STORE.**

**** Warranty cannot be honored without an original, dated receipt ****

WARRANTY INFORMATION

IMPORTANT-PLEASE READ:

CLAM OUTDOORS INC. warrants to the original retail purchaser its product be free from manufacturers defects for (5) years from the date of the original purchase. Clam Outdoors Inc will replace or repair any part found defective within the (5) year time limit. All parts must be returned to Clam Outdoors Inc. Before returning any parts, you must first call or write and acquire a return authorization. All returns must be returned postage-prepaid and include the original cash register receipt (date and purchase price).

To submit a warranty claim request, please use one of the following methods:

- Customer Service Hrs: 9am to 4pm, Monday – Friday Central Standard Time
- Clam Corporation
Attn: Customer Service – Warranty Department
12135 Brockton Lane
Rogers, MN 55369
- Phone: 763-231-4120
- Fax: 763-231-4121
- Email: customerservice@clamcorp.com
- Website: Polartrailer.com

The warranty does not apply to any Polar Trailer which has been subjected to an accident, improper installation, modification, adjustment, repair, misuse, misapplication, neglect, including but not limited to improper maintenance, or use of unauthorized parts or attachments.

LIMITATION OF LIABILITY

It is expressly understood that Clam Outdoors Inc. liability for its products, whether due to breach of warranty, negligence, strict liability, or otherwise, is limited to the repair of the product as stated above. Clam Outdoor Inc. is not liable for any injury, loss, damage, or expense, whether direct or consequential, including but not limited to loss of use, income, profit, or damage to material arising in connection with the sale, installation, use of, inability to use, or the repair or replacement of Clam Outdoor Inc. products. Clam Outdoor Inc. reserves the right to make alterations or modifications in its products at any time, which in its opinion, may improve the performance and efficiency of the product. It shall not be obligated to make such alterations or modifications to products already in service.

WARNING:

- **THIS PRODUCT IS INTENDED FOR USE IN LAWN CARE AND HOME APPLICATIONS.**
- **DO NOT TOW BEHIND A VEHICLE OR USE ON A HIGHWAY OR IN ANY HIGH SPEED APPLICATION.**
- **THIS PRODUCT HAS BEEN DESIGNED FOR OFF-ROAD USE ONLY.**

Transporting Loads Safely

- Stopping distance increases with speed and weight of load. Travel slowly and allow extra time and distance to stop.
- Excessive load can cause loss of traction and loss of control on slopes. Reduce payload weight when operating on slopes.
- Never allow children or others in or on equipment.
- Do not attach the Utility Cart to any powered vehicle.
- Follow the manufacturer's recommendations for weight limits.
- Do not turn sharply. Use additional caution when turning or operating under adverse surface conditions.

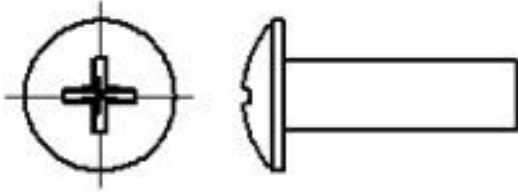
Keep Riders off Utility Cart

- Keep riders off of the Utility Cart.
- Riders are subject to injury, such as being struck by objects or being thrown off the attachment during sudden starts, stops and turns.
- Riders obstruct the operator's view, resulting in the Utility Cart being used in an unsafe manner.

PARTS LIST

QTY.	PART NO.	DESCRIPTION
1	104084	BASE, KENAI IS-15
1	105829	INSTRUCTION, LG 1300 TRAILER
1	105831	LABEL, TONGUE DECAL, LG 1300
1	105832	LABEL, TUB BASE, DECAL , LG 1300
1	105828	INNERPAK, TRAILER, LG 1300 (INCLUDES THE FOLLOWING)
1	105822	ASSY, AXLE,
1	105827	ASSY, TONGUE, LG 1300
1	104095	TUBE, MED AXLE
1	104098	ASSY. U-FRAME, LG10
2	105824	ASSY, WHEEL, 16 X 7.50-8
1	104096	KIT, HRDWR, LG10 (INCLUDES THE FOLLOWING)
8	101740	NUT, 3/8-16 NYLOCK
8	101741	WASHER, 3/8" FLAT REG
4	101749	BOLT, 3/8-16 X 1.25 TH GR5 CZ
4	103280	WASHER, SQUARE, TRAILERS
3	102201	SPRING COTTER PIN
1	102200	BENT ARM PIN
2	102576	BOLT, 3/8-16 X 2.50 CH GR5 YZ
2	104097	BOLT, 3/8-16 X 2.75 CH GR2 CZ
4	102607	WASHER, .75 USS SAE STANDARD YZ

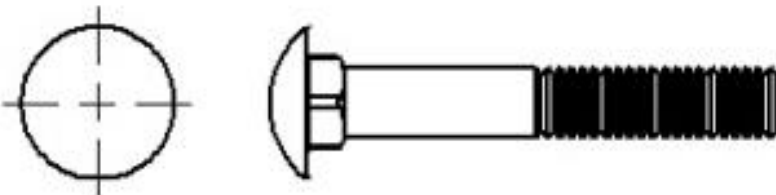
FASTENERS



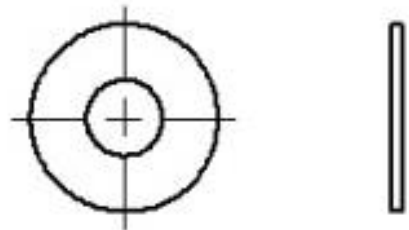
4X [101749]



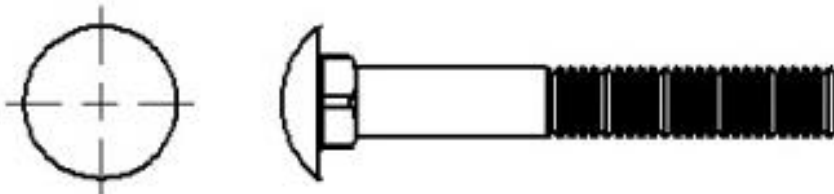
8X [101740]



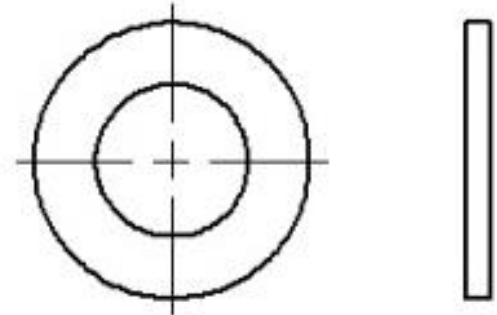
2X [102576]



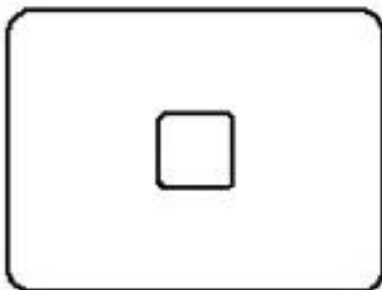
8X [101741]



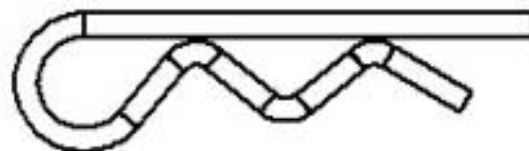
2X [104097]



4X [102607]



4X [103280]



3X [102201]

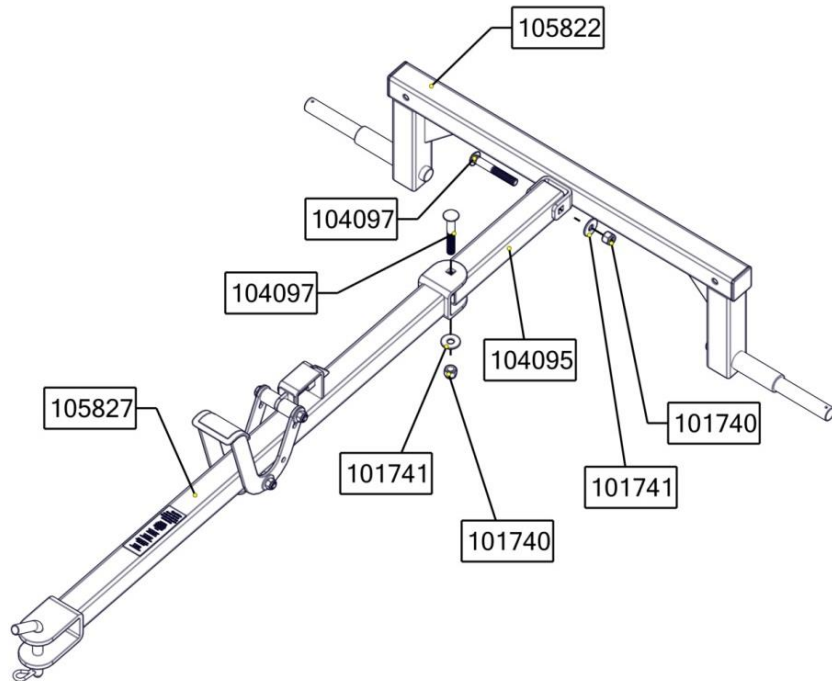
STEP-1

Please Notice This



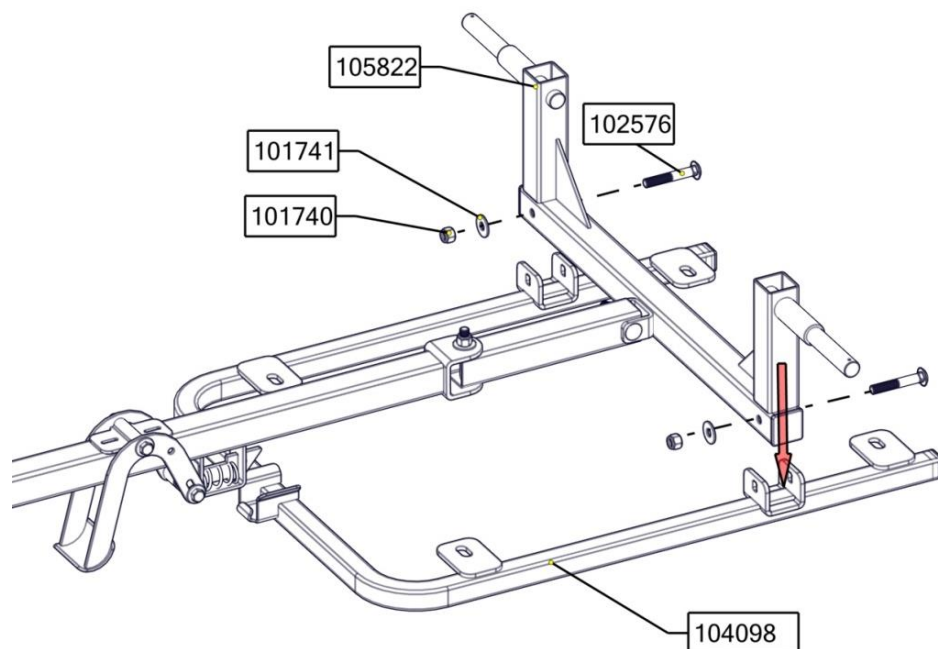
- *USING A DROP OF OIL ON ALL NUTS WILL EASE THE ASSEMBLY PROCESS.
- *IT IS BEST TO USE THE AID OF ANOTHER PERSON DURING ASSEMBLY.

1. INSTALL (105822) AXEL to (104095) TUB THEN TO (105827) TONGUE WITH FASTENERS AS SHOWN. **DO NOT OVER TIGHTEN. ALL ITEMS MUST MOVE FREELY**



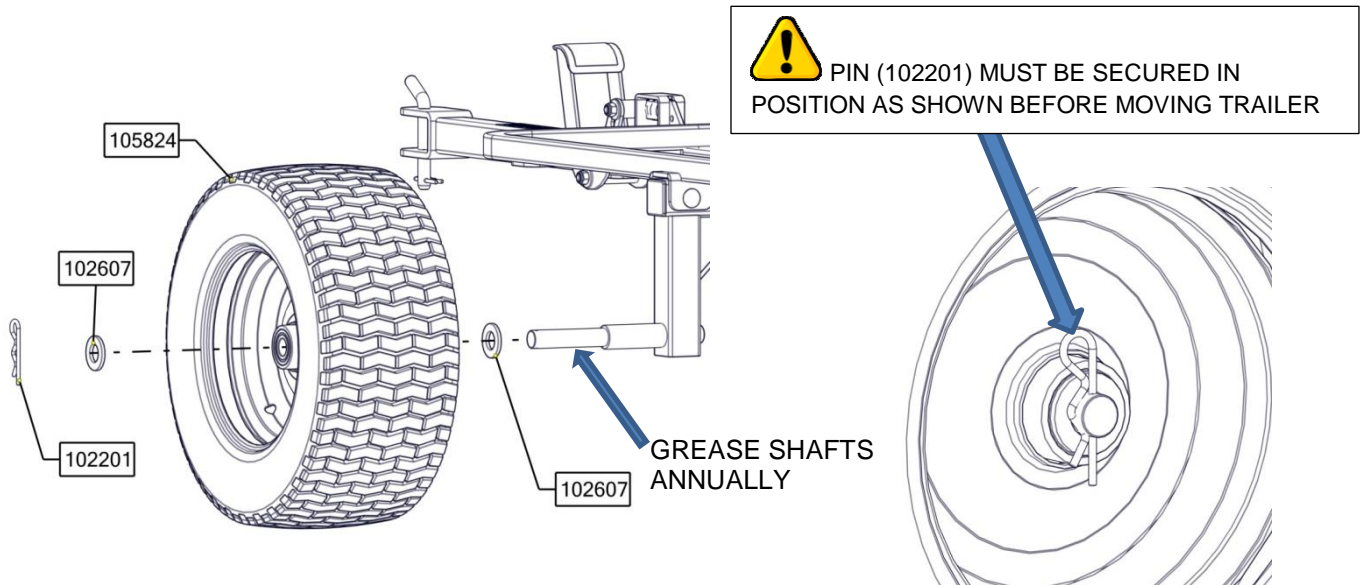
STEP-2

1. USE ASSEMBLY FROM STEP-1 AND ASSEMBLE TO (104098) U FRAME WITH FASTENERS AS SHOWN AND **SECURELY TIGHTEN.**



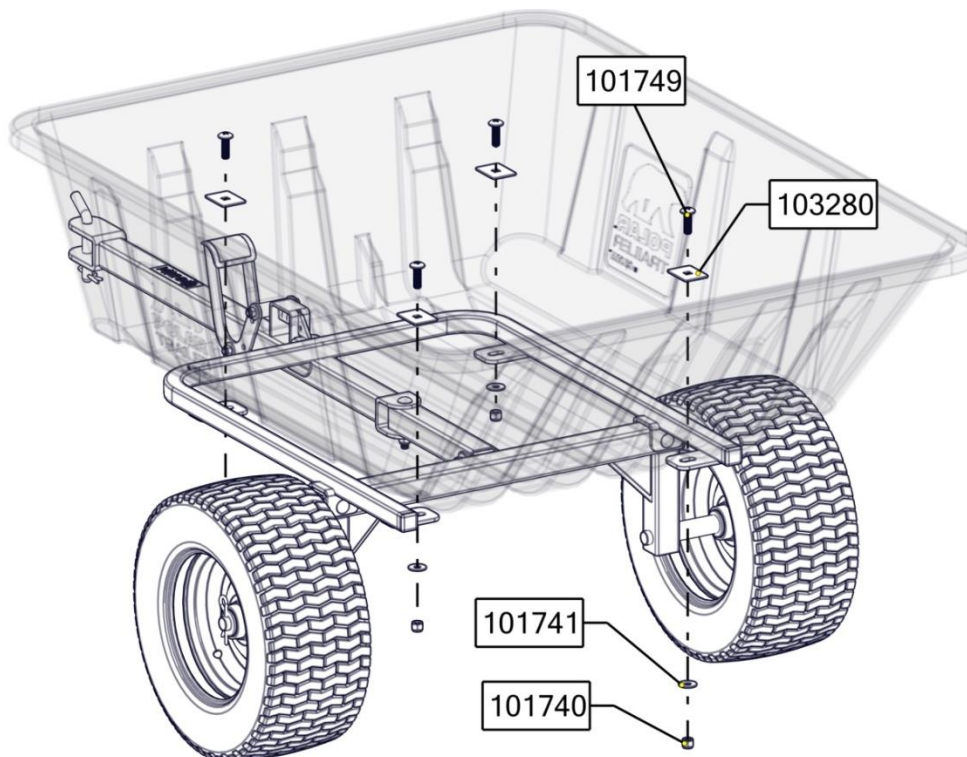
STEP-3

1. ASSEMBLE THE WHEEL (105824) TO AXLE AS SHOWN AND SECURE WITH PIN (102201)



STEP-4

1. INSTALL BASE TO FRAME ASSEMBLY WITH ALL FASTENERS AS SHOWN AND **SECURELY TIGHTEN FASTENERS.**



DUMP OPERATION

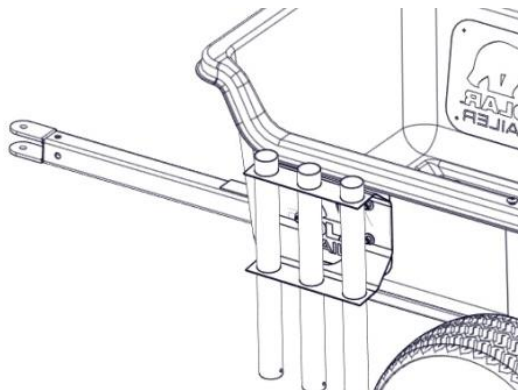
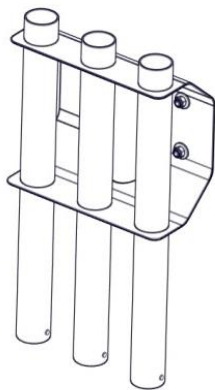
1. PUSH DOWN ON FOOT PEDAL TO RELEASE TRAILER BOX

 **KEEP CLEAR OF ROTATING BOX AREA TO AVOID INJURY**



IT OUR WEB-SITE FOR ADDITIONAL ACCESSORIES THAT MAY BE AVAILABLE FOR YOUR TRAILER

TOOL RACK



TOOL ORGANIZER

