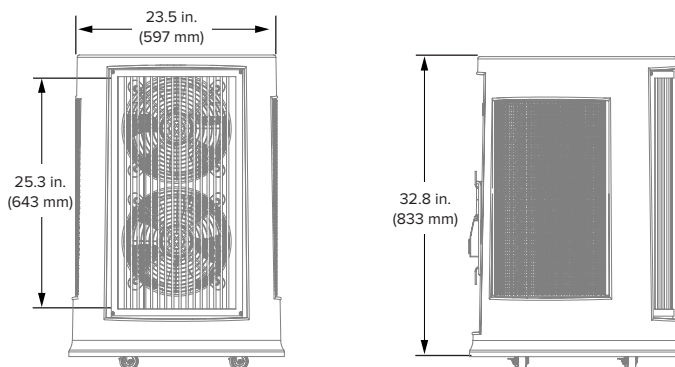


COLD FRONT 100/200

DELIVER COOLER CONDITIONS AT A MOMENT'S NOTICE



Technical Specifications											
Model	Motor	Ordering Information	Weight	Water Capacity	Inlet Water Supply Pressure	Input power and required breaker	Environment ¹	Amperage ²	Airflow and Coverage	Sound Level ³	Operating Temperature
Cold Front 100	0.174 hp	F-EV1-100IS75	51 lb (23.1 kg)	8 gal (30.3 L)	120 PSI maximum	120 VAC, 60 Hz, 1Φ, 15 A	Well-ventilated indoor or outdoor space	1.5 A	600–1200 cfm 600 sq ft	60 dBA	0 to 104 °F (-18 to 40 °C)
Cold Front 200	0.32 hp	F-EV1-100IS75V60						2.7 A	900–1800 cfm 800 sq ft	75 dBA	

Construction					
Housing	Motor	Power Supply	Water Supply	Cooling Media	Maintenance
Low-profile design UV-resistant roto-molded polyethylene housing Locking swivel casters	Variable speed high-efficiency, totally enclosed	Ground fault protected power cord plugs into standard electrical outlet Cord wrap for easy storage	Accepts standard garden hose or portable supply tank Water regulated by float valve Built-in reservoir for extended use Low water indicator light	Made from 4 in. (102 mm) thick cross-corrugated, angle-fluted formulated cellulose	Convenient reservoir cap for easy water treatment access Drain plug for water removal



¹ Not suitable for salt air environments.

² Maximum amperage includes both the fan and pump maximum amperage ratings.

³ Fans are sound tested in a laboratory environment. Actual results in field conditions may vary due to sound reflecting surfaces and environmental conditions.

Lead times may vary. See full warranty for coverage information.



USA
BIGASSFANS.COM
877-244-3267

CANADA
BIGASSFANS.COM
844-924-4277

AUSTRALIA
BIGASSFANS.COM/AU
1300 244 277

SINGAPORE
BIGASSFANS.COM/SG
65 6709 8500

MALAYSIA
BIGASSFANS.COM/SG
603 5565 0888