

DUSK-TO-DAWN

SPEC SHEET



UL wet listed die-cast aluminum construction with borosilicate glass lens or UV stabilized polycarbonate diffuser complete with stainless steel hardware. Mounts to standard 4 inch square electrical junction boxes. Alternate junction box mounting possible via universal mounting ring. Ingress resistant gasket included.

- Same footprint as traditional HID fixtures
- Premium brand LEDs (Philips® chips depending on SKU) and YG® driver technology
- Dimming option available
- Precision die-cast Aluminium
- Wet location rated fixture for outdoor use
- Chip and fade resistant powder coat finish in any color
- Precision prismatic reflector
- Industrial grade, Standard button Photocell available

PRODUCT PERFORMANCE AT A GLANCE

SYSTEM WATTAGE	LED WATTAGE	LUMENS	LP/W	CRI	REPLACES (MH)
20W	18W	2500 lm	125 lm/w	≥70	70W

HOUSING

Die cast aluminum housing with UV-stabilized vandal-resistant polycarbonate precision lens.

IP RATING & LISTINGS

LED light engine is weather proof rated IP65.

DLC, cULus

FINISH

Fade, weather, and abrasion resistant, electrostatically applied, thermally cured, triglycidyl isocyanurate (TGIC) textured polyester powdercoat finish. Paint is bronze.

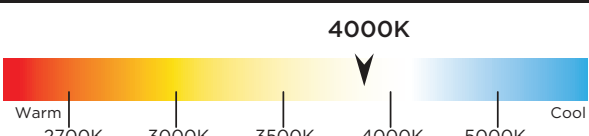
APPLICATION

Suitable for outdoor applications such as residential, light commercial, apartments, carports, driveways, parking lots, building perimeters, loading areas, driveways.

LED TECHNOLOGY LIGHTING PERFORMANCE

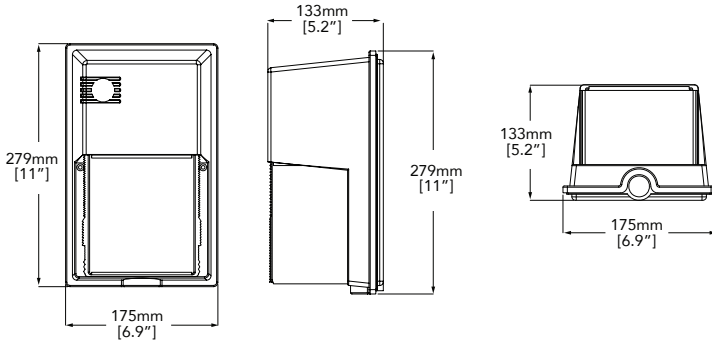
MOUNTING	Wall Mount
FREQUENCY	50-60 HZ
THD	<20%
PF	>0.9
AMBIENT OPERATING RANGE	-20-40°C
INPUT VOLTAGE	120-277V
EFFICACY	>125 LM/W
LED CHIP	Philips® LED
DRIVER	YG® driver technology
PHOTOCELL	Yes
DIMMABLE	YES (0-10V)
DRIVER EFFICIENCY	>85%
STANDARD LIFETIME	Design minimum 50,000 hours
STANDARD WARRANTY	5 Years
WATER PROOFING GRADE	IP65
WEIGHT	1.76 lbs
DIMENSIONS	11" x 6.9" x 5.2"

LIGHT APPEARANCE (CCT)

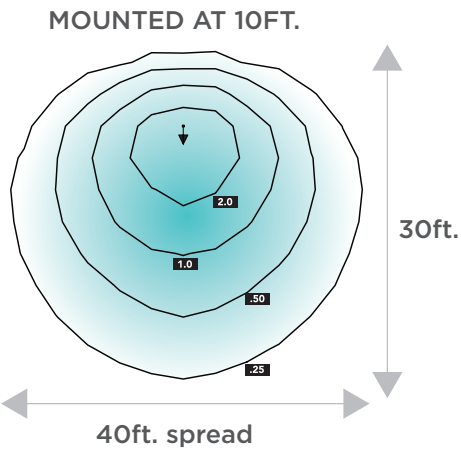


*All results according to IESNA - LM79-2008
*Light Output reported as total integrated lumens (light source & fixture)

PRODUCT LINE DRAWING

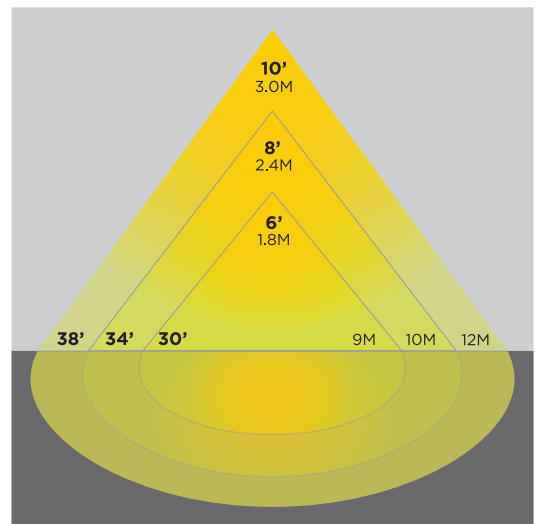


2D PHOTOMETRIC VIEW



SUGGESTED MOUNTING HEIGHT:
6-12FT. (1.8-3.7M)

3D PHOTOMETRIC VIEW



APPLICATIONS

