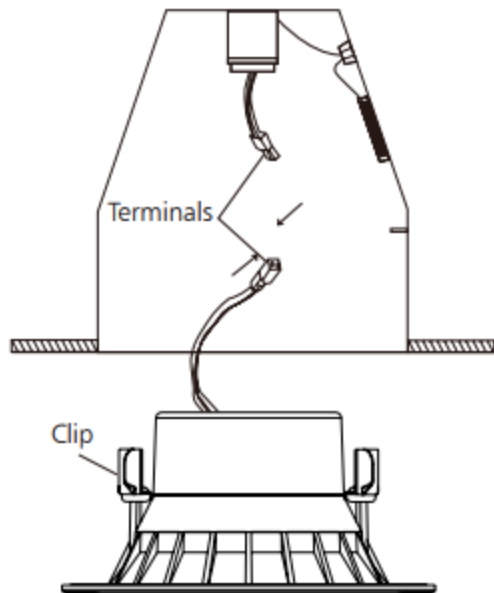
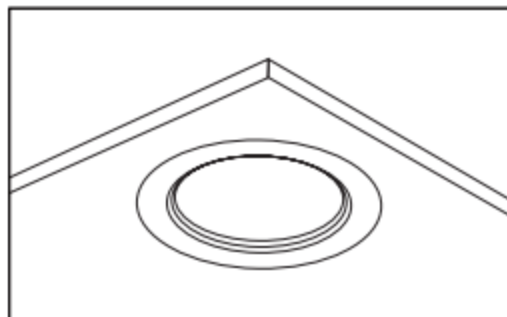


Step1: Install the adapter



Step2: Connect the terminals



Step3: Insert the LED retrofit kit into  
The recessed housing unit