

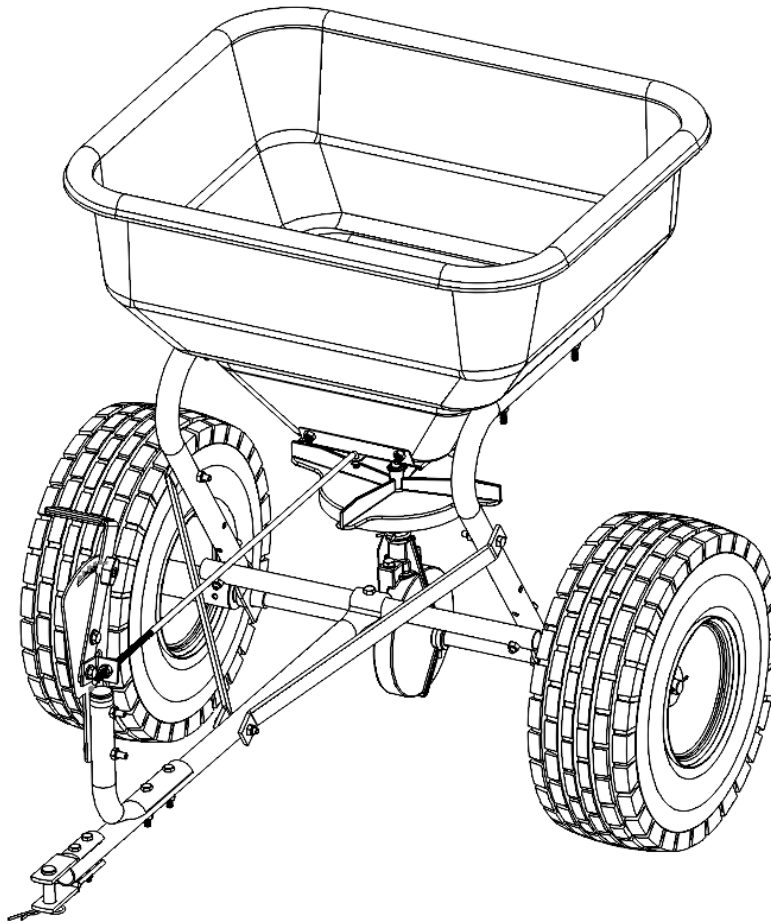
EVERBILT

™

SKU #1004 910 721
Model #TBS6519HD

USE AND CARE GUIDE

130 LB TOW BEHIND BROADCAST SPREADER



Questions, problems, missing parts? Before returning to the store,
call Everbilt Customer Service
8 a.m. – 7 p.m., EST, Monday-Friday, 9 a.m. – 6 p.m., EST, Saturday

1-800-305-1726

HOMEDEPOT.COM

THANK YOU

We appreciate the trust and confidence you have placed in Everbilt through the purchase of this [PRODUCT]. We strive to continually create quality products designed to enhance your home. Visit us online to see our full line of products available for your home improvement needs. Thank you for choosing Everbilt!

Table of Contents

Table of Contents.....2
 Safety Information.....2
 SAFETY INSTRUCTIONS.....2
 Warranty.....3
 12 month limited warranty for accessories.....3
 What is Covered.....3
 What is Not Covered3
 Pre-Assembly4
 Planning Installation4
 tools required.....4
 Hardware Included.....4
 Pre-Assembly (continued).....5
 Package Contents.....5


Assembly 6
 Assembly (continued)..... 7
 Installation (continued)..... 8
 Operation..... 9
 Operation (continued)..... 10
 Broadcast Spreader Application Chart 11
 Service Parts 12
 130 lb tow behind broadcast spreader12
 Error! Bookmark not defined.
 Service Parts (continued)..... 13
 130 lb Tow Behind broadcast spreader13
 Maintenance..... 13
 Storage..... 13


Safety Information


SAFETY INSTRUCTIONS


- Tractor braking and stability may be affected with the attachment of this unit. Be aware of changing conditions on slopes. Refer to safety rules in your tractor owner’s manual concerning safe operation on slopes. **STAY OFF STEEP SLOPES!**
- Keep adults, children and animals at a safe distance.
- Never allow children to operate the towing vehicle. Do not allow adults to operate the vehicle without having read the owner’s manual or receiving proper instruction.
- Always wear substantial footwear. Do not wear loose fitting clothing that may get caught in moving parts.
- Always begin with the transmission in first (low) gear and the engine at low speed, and gradually increase speed as conditions permit.
- This equipment should be operated at reduced speed(s) on rough terrain and on hillsides to prevent tipping or loss of control.
- Stay alert for holes in the terrain and other hidden hazards.
- Always operate up and down a slope, never across the face of a slope.
- The tractor and attachment should be stopped and inspected for damage after striking a foreign object. Any damage should be repaired before restarting and operating the equipment.
- Keep the tractor and attachment in good operating condition and keep safety devices in place.
- Keep all nuts, bolts and screws tight to be sure the equipment is in safe working condition.

 **DANGER: STAY OFF STEEP SLOPES!**

 **DANGER:** Do not allow anyone to ride or sit on the tow behind equipment during operation.

 **WARNING:** Do not exceed maximum towing speed of 4 miles per hour.

 **WARNING:** Do not operate close to creeks, ditches or public highways.

 **IMPORTANT:** Read and understand your tractor owner’s manual and safety rules. Know how to operate your tractor before using any attachment.

Warranty

12 MONTH LIMITED WARRANTY FOR ACCESSORIES

WHAT IS COVERED

The manufacturer warrants the product(s) listed against defects in material and workmanship, and will at our option, repair or replace, free of charge, any part found to be defective in materials or workmanship. This limited warranty shall only apply if this product has been assembled, operated, and maintained in accordance with the owner's manual furnished with the product, and has not been subject to misuse, abuse, neglect, accident, improper maintenance, alteration, vandalism, theft, fire, water, or damage because of other peril or natural disaster.

Normal wear parts or components thereof are subject to separate terms as follows: All normal wear parts or component failures will be covered on the product for a period of one year. Parts found to be defective within the warranty period will be replaced at our expense. Our obligation under this warranty is expressly limited to the replacement or repair, at our option, of parts found to be defective in material and workmanship.

WHAT IS NOT COVERED

This limited warranty does not provide coverage in the following cases:

1. Routine maintenance items such as lubricants and filters.
2. Normal deterioration of the exterior finish due to use or exposure.
3. Transportation and/or labor charges.

No implied warranty, including any implied warranty of merchantability of fitness for a particular purpose, applies after the applicable period of express written warranty above as to the part as identified below. No other expressed warranty, whether written or oral, except as mentioned above, given by any person or entity, including a dealer or retailer, with respect to any product, shall bind the manufacturer during the period of the warranty, the exclusive remedy is repair or replacement of the product as set forth above. The provisions as set forth in this warranty provide the sole and exclusive remedy arising from the purchase.

The manufacturer will not be liable for incidental or consequential loss or damage including, without limitation, expenses incurred for substitute or replacement lawn care services, or for rental expenses to temporarily replace a warranted product.

Some states do not allow the exclusion or limitation of incidental or consequential damages, or limitations on how long an implied warranty lasts, so the above exclusions or limitations may not apply to you.

During the warranty period, the exclusive remedy is replacement of the part. In no event shall recovery of any kind be greater than the amount of the purchase price of the product sold. Alteration of safety features of the product shall void this warranty. You assume the risk and liability for loss, damage, or injury to you and your property and/or to others and their property arising out of the misuse or inability to use this product.

This limited warranty shall not extend to anyone other than the original purchaser or to the person for whom it was purchased as a gift.

Local Law to this Warranty

This limited warranty gives you specific legal rights, and you may also have other rights which vary from state to state.

Warranty Period

The warranty period stated below begins with the Proof of Purchase. Without the proof of purchase, the warranty period begins from the date of manufacture, determined by the serial number's manufacturing date.

Contact the Customer Service Team at 1-800-305-1726 or visit www.HomeDepot.com.

Pre-Assembly

PLANNING INSTALLATION

Remove the Hardware from the Hardware Sack and verify that all the Hardware shown are included.

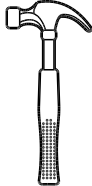
TOOLS REQUIRED



Safety goggles




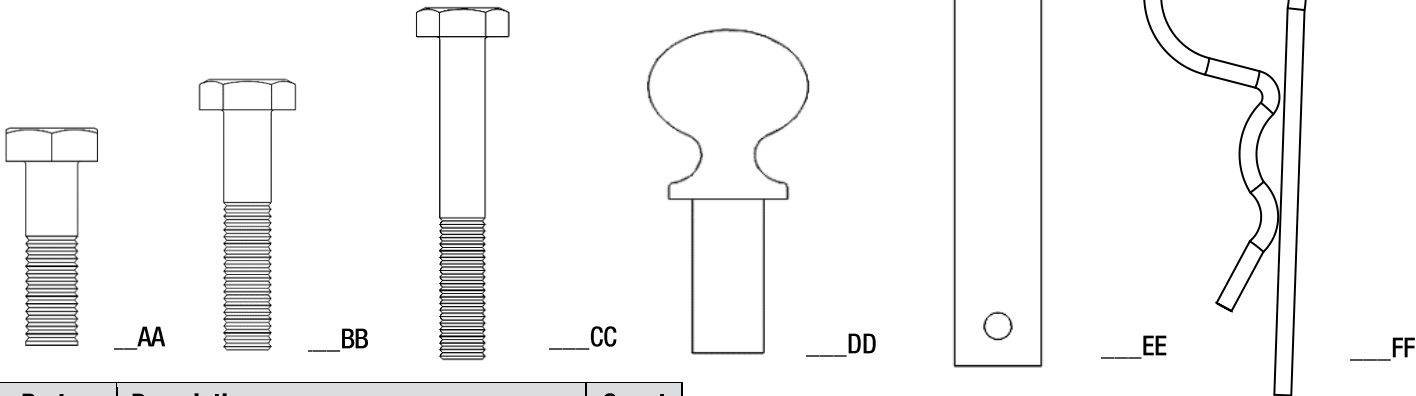
(2) 1/4 in. Wrenches
(2) 7/16 in. Wrenches



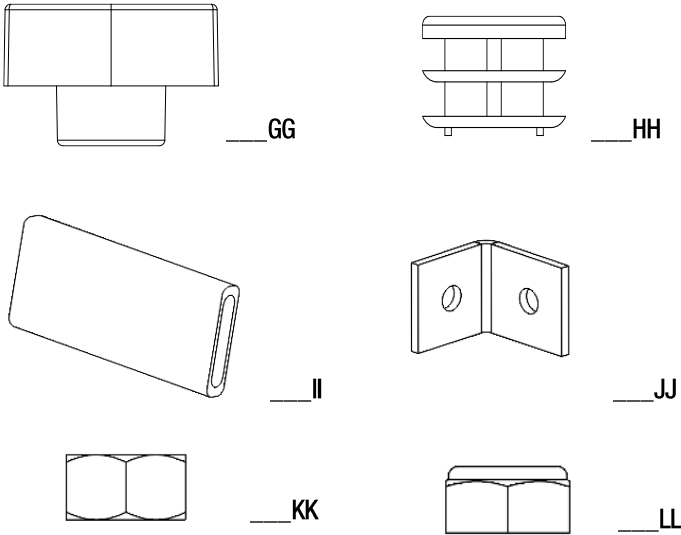
Hammer

HARDWARE INCLUDED

 **NOTE:** Hardware not shown to actual size.

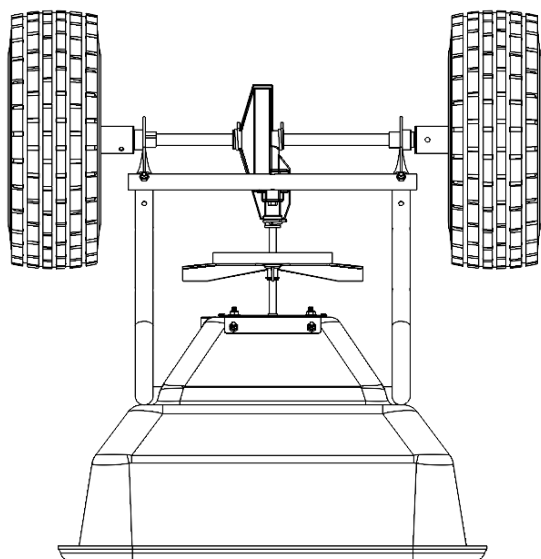


| Part | Description | Quantity |
|------|---|----------|
| AA | 1/4 in. x 1-1/2 in. Hex Head Bolt | 7 |
| BB | 1/4 in. x 1-3/4 in. Hex Head Bolt | 2 |
| CC | 1/4 in. x 2 in. Hex Head Bolt | 1 |
| DD | 1/4 in. x 1 in. Spade Thumb Screw | 1 |
| EE | 1/2 in. x 1-3/4 in. Clevis Pin | 1 |
| FF | #14 Hitch Pin Clip | 1 |
| GG | 1/4 in. Wing Nut | 1 |
| HH | 1 in. Tube Plug | 7 |
| II | Handle Grip | 1 |
| JJ | Adj. Handle Tab | 1 |
| KK | 1/4 in. Hex Head Nut | 2 |
| LL | 1/4 in. Nylock Nut | 12 |
| MM | 1/4 in. x 3/4 in. Hex Head Bolt (Not Shown) | 2 |
| NN | 1/4 in. Washer (Not Shown) | 6 |

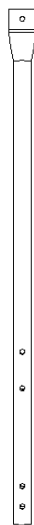


Pre-Assembly (continued)

PACKAGE CONTENTS



__A



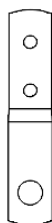
__B



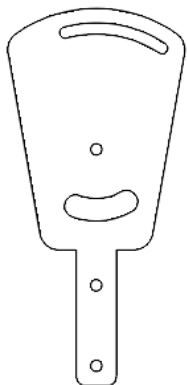
__C



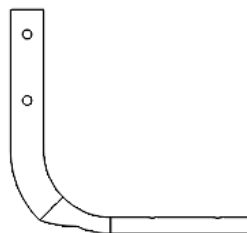
__D



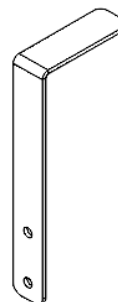
__E



__F



__G



__H

| Part | Description | Quantity |
|------|-----------------|----------|
| A | Hopper Assembly | 1 |
| B | Tow Bar | 1 |
| C | Support Bracket | 2 |
| D | Upper Rod | 1 |
| E | Clevis Plate | 2 |
| F | Number Pad | 1 |
| G | T-Handle | 1 |
| H | Adj. Handle | 1 |

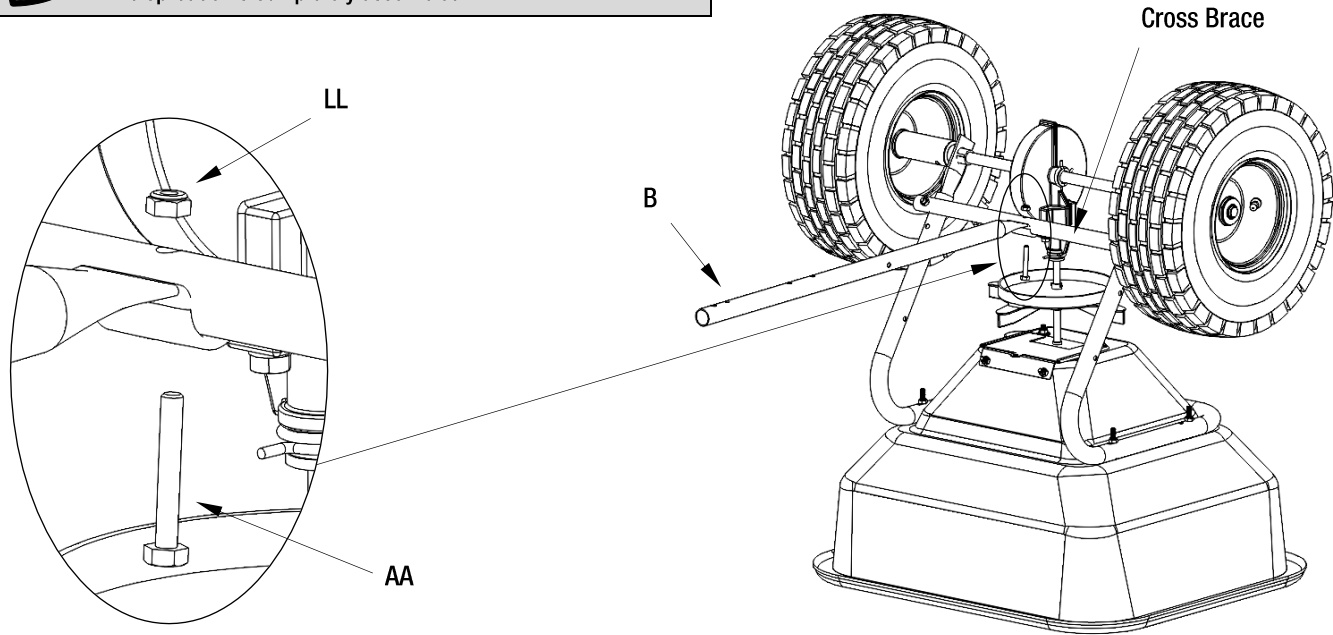
Assembly

1 Tow Bar Assembly

- Flip the Hopper Assembly (A) upside down as shown.
- Attach the Tow Bar (B) to the center hole on the Cross Brace using a 1/4 in. x 1-1/2 in. Hex Head Bolt (AA) and a 1/4 in. Nylock Nut (LL).

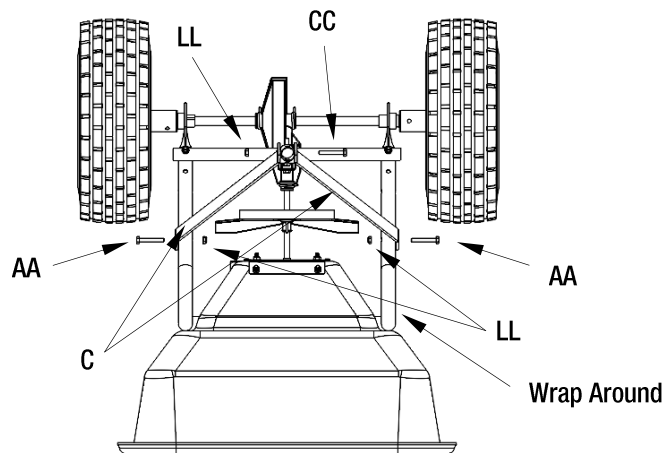


NOTE: Loosely tighten nuts and bolts first. Fully tighten when the spreader is completely assembled.



2 Tow Bar Assembly (continued)

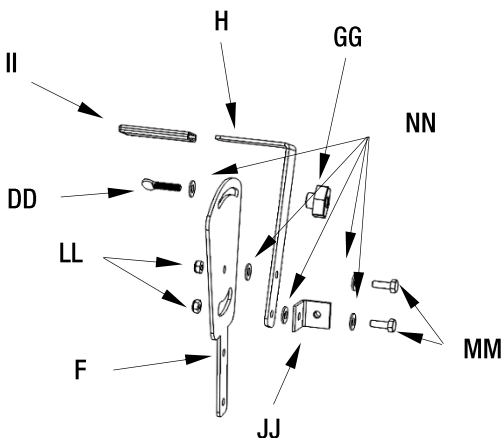
- Attach the two Support Brackets (C) to the Wrap Around Support using 1/4 in. x 1-1/2 in. Hex Head Bolts (AA) and 1/4 in. Nylock Nuts (LL).
- Attach the other end of the two Support Brackets (C) to the Tow Bar (B) using a 1/4 in. x 2 in. Hex Head Bolt (CC) and 1/4 in. Nylock Nut (LL).
- Flip the unit right side up.



Assembly (continued)

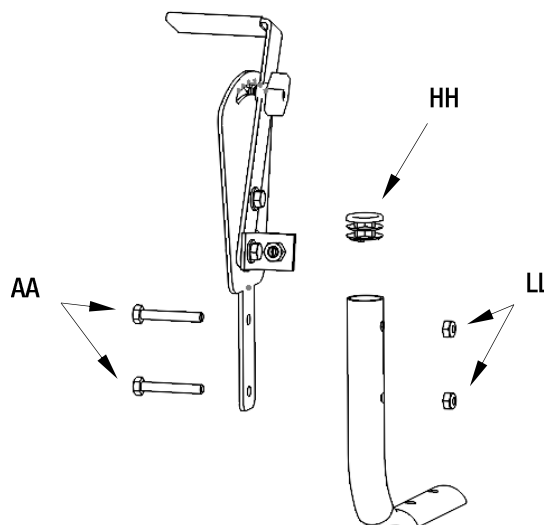
3 Adjustment Handle Assembly

- Attach the Adj. Handle Tab (JJ) to the bottom of the Adj. Handle (H) using a 1/4 in. x 3/4 in. Hex Head Bolt (MM), two 1/4 in. Washers (NN) and a 1/4 in. Nylock Nut (LL).
- Attach the Adj Handle (H) to the Number Pad (F) using a 1/4 in. x 3/4 in. Hex Head Bolt (MM), two 1/4 in. Washers (NN) and 1/4 in. Nylock Nut (LL).
- Insert the Thumb Screw (DD) and 1/4 in. Washer (NN) into the slide on the Number Pad (F) and secure with the 1/4 in. Wing Nut (GG).



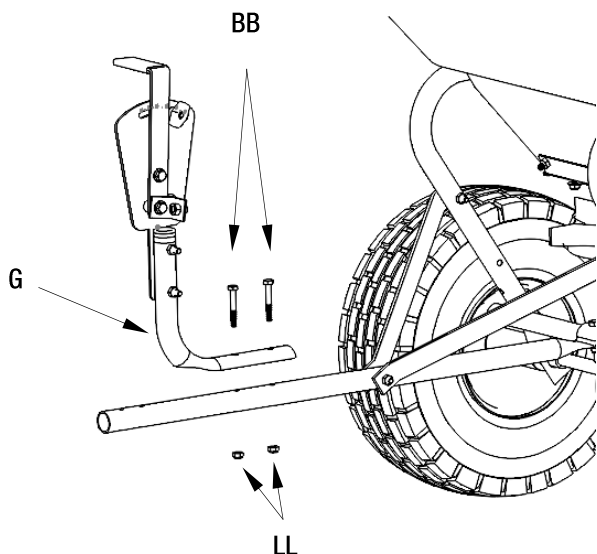
4 Adjustment Handle Assembly (continued)

- Gently tap the 1 in. Tube Plug (HH) into the top of the T-Handle (G).
- Attach the Number Pad (F) to the top of the T-Handle (G) using 1/4 in. x 1-1/2 in. Hex Head Bolts (AA) and 1/4 in. Nylock Nuts (LL).
- Slide the Handle Grip (II) onto the Adj. Handle (H).



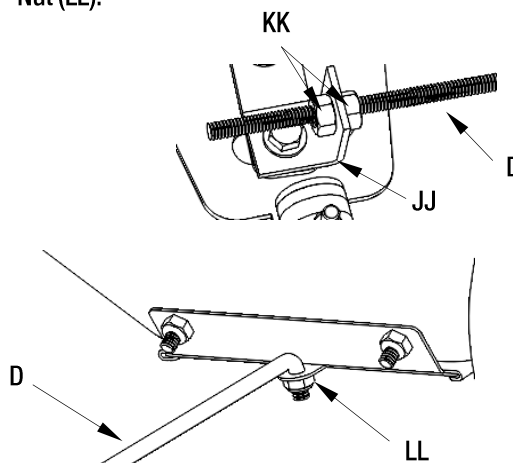
5 Adjustment Handle Assembly (continued)

- Attach the T-Handle (G) to the top of the Tow Bar (B), using two 1/4 in. x 1-3/4 in. Hex Head Bolts (BB) and two 1/4 in. Nylock Nuts (LL).



6 Control Rod Assembly

- Thread a 1/4 in. Hex Head Nut (KK) onto the Upper Rod (D) then insert the Upper Rod (D) through the hole in the Adj. Handle Tab (JJ). Secure with a 1/4 in. Hex Head Nut (KK).
- Remove the tape from the Slide Plate at the bottom of the Hopper.
- Insert the other end of the Upper Rod (D) through the hole in the Slide Plate and secure with a 1/4 in. Nylock Nut (LL).



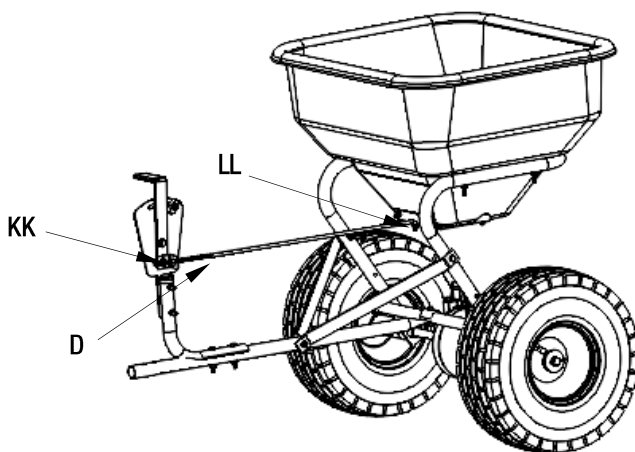
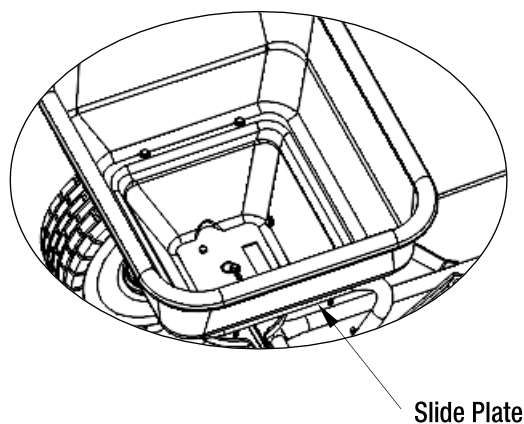
Installation (continued)

7 Control Rod Assembly (continued)

- Loosen and tighten the 1/4 in. Hex Head Nut (KK) that is attached to the Upper Rod (D) until the Upper Rod (D) and the Adj. Handle Tab (JJ) are aligned and secure by tightening 1/4 in. Hex Head Nut (KK).
- Slide the Slide Plate along the Upper Rod (D) until the flow plate in the bottom of the hopper is open halfway, adjust the 1/4 in. Nylock Nut (LL) which secures the slide plate and Upper Rod (D) if required.

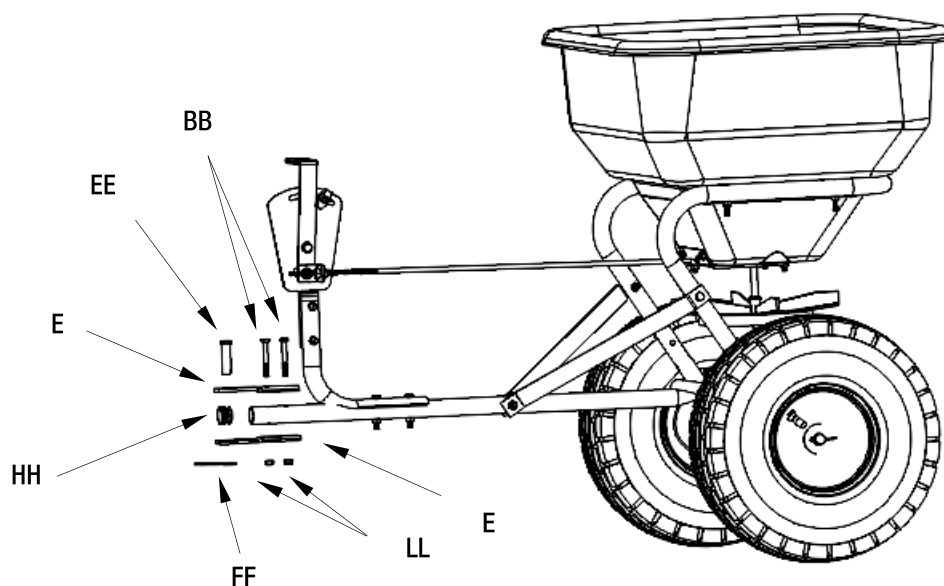


NOTE: Make sure the slide plate will open and close all the way. Readjust if necessary.



8 Clevis Assembly

- Gently tap the 1 in. Tube Plugs (HH) into the end of the Tow Bar (B).
- Attach the two Clevis Plates (E) to the top and bottom of the Tow Bar (B), using two 1/4 in. x 1-3/4 in. Hex Head Bolts (BB) and two 1/4 in. Nylock Nuts (LL).
- Insert the 1/2 in. x 1-3/4 in. Clevis Pin (EE) through holes in the Clevis Plates (E). Secure this with a #14 Hitch Pin Clip (FF).



Operation

1 Calculating Your Flow Setting

To calculate how many pounds of material to spread per 1000 square feet of lawn, follow these steps.


- Read on your material bag how many square feet of area the contents of the bag will cover and how many pounds the bag weighs.
Example: You have purchased a bag of fertilizer that states that it will cover 5,000 square feet and weighs 16.0 pounds.
- To calculate coverage, divide bag weight by suggested coverage to obtain pounds per square foot that is needed to be applied.
Example: $16.0 \text{ lbs.} \div 5,000 \text{ sq. ft.} = .0032 \text{ lbs./sq. ft.}$
- To calculate how much you need for 1000 sq. ft. multiply the pounds per square foot obtained above by 1000.
Example: $.0032 \text{ lbs./sq. ft.} \times 1000 = 3.2 \text{ lbs./1000 sq. ft.}$
- Refer to standard settings table and locate the appropriate settings number.
Example: 3.2 lbs./1000 sq. ft. is closest to a 3 lbs./1000 sq. ft. so the spreader setting is a 2.5.

These are general information settings intended to be used as only references.

| Fertilizer Lbs. per 1000 sq. ft. | Setting Broadcast Spreaders |
|-------------------------------------|--------------------------------|
| 2.5 | 2 |
| 3.0 | 2.5 |
| 3.5 | 2.75 |
| 4.0 | 3 |

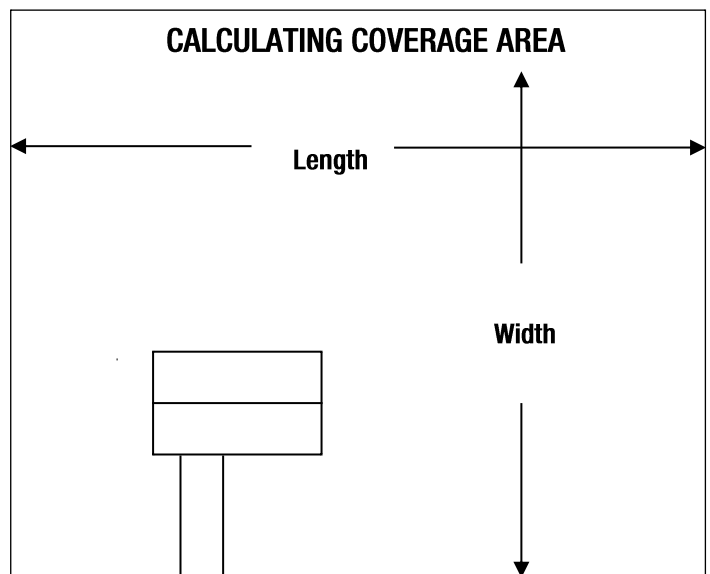
| Grass Seed | Setting |
|--------------|---------|
| Blue Grass | 1.5 |
| Bent Grass | 1.5 |
| Fine Mixture | 5 |
| Coarse Seed | 5 |

| Insecticide | Setting |
|-------------|---------|
| (Diazinon) | 1.75 |



CAUTION: On the bag of fertilizer there should be a chart that gives the recommended settings for that particular bag. Because different manufactures of fertilizer make the granules different sizes it is impossible for spreader manufactures to give guidelines for all of the different fertilizers. In addition to this walking speed and terrain, may vary, therefore settings may need to be adjusted. Because of these conditions, The manufacturer makes no warranty as to the uniformity of coverage actually obtained from any of these calculations.

$$\begin{aligned}
 & \text{_____ Length} \\
 \times & \text{_____ Width} \\
 = & \text{_____ Total sq. ft.} \\
 - & \text{_____ Non-Lawn Area (House, drive etc.)} \\
 = & \text{_____ Total sq. ft. Coverage}
 \end{aligned}$$



Operation (continued)

2 Using Your Spreader © Controller

Settings are made by moving the Adj. Handle and setting to the desired number on the Number Pad. See **Application Chart For Setting Information**.

OPEN—Push the Control Lever forward until it stops against Calibration Button.

OFF—Pull Control Lever back until it stops.

Broadcast Spreader Operation

- Always have the control lever in the OFF position before filling the hopper.
- Always push the spreader forward to operate. Do not operate in reverse.
- Start moving forward before pushing the control lever to the ON position. Pull the control lever to the OFF position before stopping or turning.
- Push the spreader at a steady pace.
- To avoid misses or striping, space each pass across the lawn so approximately 20% of the spread with overlaps onto the previous pass. This provides a “feathered” overlap to even out distribution over the width of the spread.



NOTE: Maximum operating weight—130 lbs.



WARNING: DO NOT allow spreader to sit stationary with material in the hopper and control lever in the ON position.



CAUTION: Care must be taken with any weed killer, pesticide, or combination product. They can be harmful to other plant life in the yard.

Troubleshooting

| Issue | Cause | Solution |
|--|---|--|
| The Slide Plate does not open all the way. | The Adjustment Rod is not installed properly. | Please refer to the installation instructions and operation. |
| There is nothing coming out of the Hopper. | The Slide Plate is jammed. | Check for obstructions or damage to the Slide Plate. |
| The Wheels skid when spreading. | The Wheels are jammed. | Check for obstructions or damage to the Wheels. |

Broadcast Spreader Application Chart

1 Applying Product

Set Flow Rate

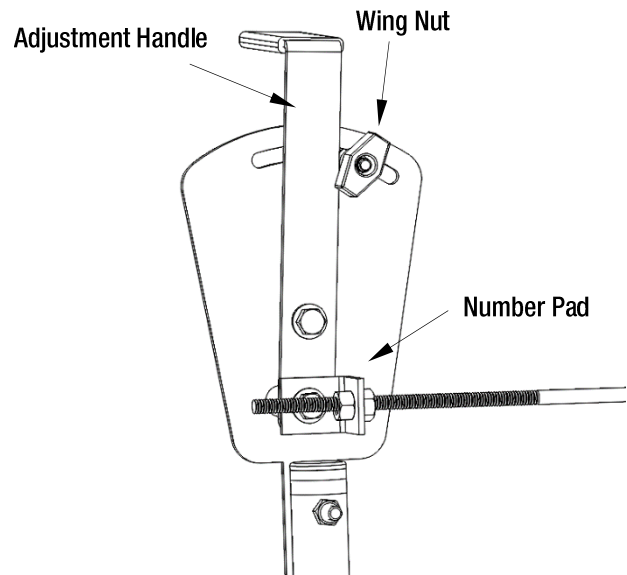
- Calculate or find the rate setting for the product being spread. See the calculation chart on the next page.
- Slide the Control Handle to the calculated flow rate and set the Indicator using the Wing Nut.

Fill the Hopper

- With the spreader control lever in the off position, fill the spreader over a patch of bare ground or sidewalk/driveway.

Apply

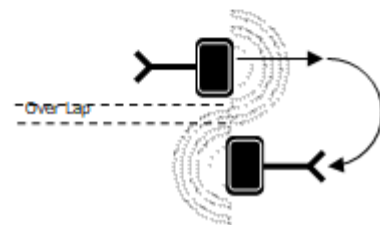
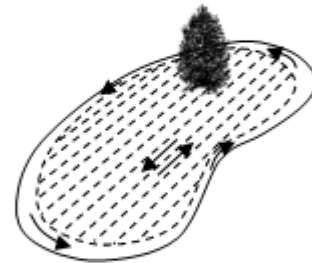
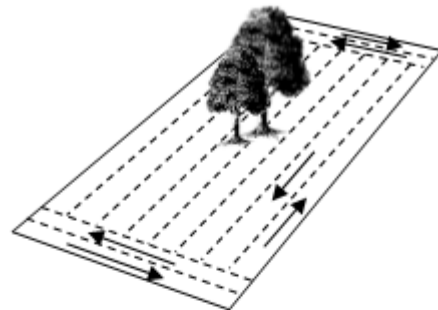
- While unit is in motion at approximately 3 miles per hour, push spreader control lever up to calibration indicator button to release product.



CAUTION: DO NOT fill the spreader on the lawn. Sweep up any spilled product.

2 Application Tips

- For rectangular lawns, apply two header strips at each end of the lawn and then go back and forth between the header strips. Close the spreader at the end of each pass and reopen at the start of the next pass.
- For irregular-shaped lawns, apply one header strip around the entire lawn, and then go back and forth.
- To avoid streaks or misses, slightly overlap each strip over the edge of the previous strip.
- Use the settings under "Standard Settings" Section for most applications by figuring lbs. per 1000 square feet.
- These numbers are for a one pass application.
- A two-pass application is recommended, using a crisscross pattern. If using this method, use half the setting number given.
- If you think too much is being applied, cut down your setting. The solution for too much fertilizer is water.
- Close the Spreader at the end of each pass. Open again at the start of your next pass.



Service Parts (continued)

130 LB TOW BEHIND BROADCAST SPREADER

| Part | Description | Quantity |
|------|--|----------|
| 1 | Hopper | 1 |
| 2 | Gear Case Assembly | 1 |
| 3 | Spinner Disc | 1 |
| 4 | Tow Bar | 1 |
| 5 | Wrap Around Support | 1 |
| 6 | T-Handle | 1 |
| 7 | Cross Brace | 1 |
| 8 | Support Bracket | 2 |
| 9 | Adj. Handle | 1 |
| 10 | Wheel | 2 |
| 11 | Upper Rod | 1 |
| 12 | Bushing 1/2 in. x 3/8 in. Flange Nylon | 1 |
| 13 | Adj. Handle Tab | 1 |
| 14 | 1 in. x 2-3/4 in. Foam Grip | 1 |
| 15 | #14 Hitch Pin Clip | 1 |
| 16 | 1/4 in. x 2 in. Hex Head Bolt | 1 |
| 17 | Slide Plate | 1 |
| 18 | 5/8 in. Wheel Bushing (Not Shown) | 2 |

| Part | Description | Quantity |
|------|--|----------|
| 19 | 1/4 in. Nylock Nut | 24 |
| 20 | 1/4 in. Hex Head Nut | 2 |
| 21 | 1/4 in. Wing Nut | 1 |
| 22 | 1 in. Tube Plug | 2 |
| 23 | Clevis Plate | 2 |
| 24 | 1/4 in. Flat Washer Stainless | 8 |
| 25 | 1/4 in. x 3/4 in. Hex Head Bolt | 2 |
| 26 | 1/4 in. Flat Washer | 9 |
| 27 | Thumb Screw 1/4 in. (Not Shown) | 1 |
| 28 | Agitator Pin (Not Shown) | 1 |
| 29 | Retaining Ring (Not Shown) | 1 |
| 30 | 1/8 in. x 1-1/4 in. Cotter Pin (Not Shown) | 1 |
| 31 | 1/4 in. x 1-1/2 in. Hex Head Bolt | 7 |
| 32 | 1/2 in. x 1-3/4 in. Clevis Pin | 1 |
| 33 | Number Pad | 1 |
| 34 | Strainer | 1 |
| 35 | Rain Cover | 1 |
| 36 | 1/4 in. x 1-3/4 in. Hex Head Bolt | 9 |

Maintenance

- Empty the Hopper after each use. Do not store the Spreader with material left in the Hopper.
- Wash the Spreader thoroughly and wipe dry.
- Lubricate all moving parts. Use a grease gun to apply grease to the Gearbox Assembly. CAUTION: Use a reasonable amount of grease. DO NOT pack the Gearbox full of grease. Apply oil to the Spinner Shaft (including the area of the Shaft that extends through the Hopper), the Slide Plate and where the Spinner Shaft and the Axle extend through the Gearbox.

Storage

- Rinse the inside of the hopper and the exterior of the spreader.
- Store in a clean, dry area.

EVERBILT

TM

Questions, problems, missing parts? Before returning to the store,
call Everbilt Customer Service
8 a.m. – 7 p.m., EST, Monday-Friday, 9 a.m. – 6 p.m., EST, Saturday

1-800-305-1726

HOMEDEPOT.COM

Retain this manual for future use.