

LIMITED WARRANTY

To the consumer, Guardian Technologies LLC warrants this product to be free of defects in materials or workmanship commencing upon the date of the original purchase. Save your original sales receipt to validate start of warranty period. Warranty is not valid without receipt.

If this product should become defective within the warranty period, we will repair or replace any defective parts free of charge. All warranty repairs must be completed by Guardian Technologies LLC. This warranty **does not cover unauthorized repairs**. The warranty does not include unusual wear, damage resulting from accident, or unreasonable use of the product. This warranty only covers the product when used with **genuine Guardian Technologies accessories**. This warranty covers product that was purchased from authorized distributors. This warranty gives you specific legal rights and you may also have other rights (other rights may vary from state to state in the U.S.A.)

The product warranty registration can be completed online at www.guardiantechnologies.com. We consider the registration process important to ensuring superior service to our customers, however submitting the warranty registration is optional and does not affect your rights to utilize this warranty according to the conditions stated above. To submit product under warranty the complete machine must be delivered pre-paid to Guardian Technologies LLC. Please include complete information including: the problem, the model number of the product, the day of purchase, and a copy of the original sales receipt along with your name, address, and telephone (email optional). Address returns to the attention of: Customer Service, at the address below. Additional questions or comments can be made toll free to the number listed below.

Additional copies of the instruction manual can be obtained by accessing and printing directly from our website or calling customer service.

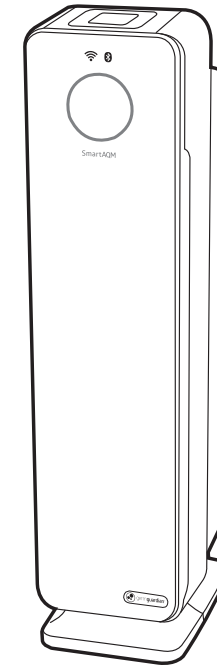


Guardian Technologies LLC
26251 Bluestone Blvd. • Euclid, OH 44132
1.866.603.5900 • www.guardiantechnologies.com

©2016 Guardian Technologies LLC



USE & CARE INSTRUCTIONS



Air Cleaning System

Model No. AC5300, AC5350 Series
5-Year Limited Warranty

Customer Service
1.866.603.5900

www.guardiantechnologies.com

Date Purchased month _____ year _____

English E - 1 French F - 1 Spanish S - 1

Note: Do not void warranty – use GENUINE Guardian Technologies replacement parts only.

REV0717

READ AND SAVE THESE INSTRUCTIONS

WARNINGS

Failure to comply with the warnings listed below may result in electric shock or serious injury.



This product should be used only in accordance with the specifications outlined in this manual. Usage other than what has been specified here may result in serious injury.

When using electrical appliances, basic precautions should always be followed to reduce the risk of fire, electric shock and injury to persons, including the following:

- Read all instructions before using appliance.
- **IMPORTANT** - This appliance has a polarized plug (one blade is wider than the other). To reduce the risk of electric shock, this plug is intended to fit in a polarized outlet only one way. If the plug does not fit fully in the outlet, reverse the plug. If it still does not fit, contact a qualified electrician. Do not attempt to defeat this safety feature.
- To avoid fire or shock hazard, plug the appliance directly into a 120V AC electrical outlet.
- Keep the cord out of heavy traffic areas. To avoid fire hazard, NEVER put the cord under rugs, near heat registers, radiator, stoves or heaters.
- To protect against electrical hazards, DO NOT immerse in water or other liquids. Do not use near water.
- Children cannot recognize the hazards associated with the usage of electrical appliances. For this reason, always supervise children when they are near the unit.
- Always unplug the air purifier before moving it, opening the grill, changing filters, cleaning or whenever the air purifier is not in use. Be sure to pull by the plug and not the cord.
- NEVER drop or insert any object into any openings.
- DO NOT run cord under carpeting.
- DO NOT cover cord with throw rugs, runners, or similar coverings.
- DO NOT route cord under furniture or appliances. Arrange cord away from traffic area and where it will not be tripped over.
- DO NOT operate any appliance with a damaged cord or plug, if motor fan fails to rotate, after the appliance malfunctions, or if it has been dropped or damaged in any manner. Call Customer Service at 1.866.603.5900 for assistance.
- Use appliance only for intended household use as described in this manual. Any other use not recommended by the manufacturer may cause fire, electric shock or injury to persons.
- DO NOT use outdoors.
- DO NOT place anything on top of unit.
- NEVER block the air openings, grills/outlets or place on a soft surface such as a bed or sofa, as this could cause the unit to tip over, blocking the air intake or outtake opening.
- DO NOT attempt to repair or adjust any electrical or mechanical functions on this unit. Doing so will void your warranty. The inside of the unit contains no user serviceable parts. All servicing should be performed by qualified personnel only.

- **WARNING:** To reduce the risk of fire or electric shock, do not use this fan with any solid-state speed control device.
- **WARNING:** Skin or eye damage may result from directly viewing the light produced by the lamp in this apparatus. Always disconnect power before replacing lamp or servicing. Replace Lamp With Lamp Model No. LB4000, Manufactured by Guardian Technologies.
- Always unplug the unit before before cleaning or servicing in any way.
- **CAUTION:** Do NOT use gasoline, benzene, thinner, harsh cleaners, etc. on and/or in the unit while cleaning as they will damage the product. NEVER use alcohol or other solvents.

The 8 hour TWA Ozone for this product is 0.001 ppmv when tested in a 30 m³ chamber. The product complies with the maximum allowable concentration of ozone of 0.050 parts per million by volume (ppmv) in a 24-hour period. The Health Canada Guideline 2010 recommends that the maximum exposure limit, based on averaging time of 8 hours, is 0.020 ppmv or less when tested in a sealed, controlled room approximately 30 m³.



WARNING: This product can expose you to chemicals including lead or lead compounds, which are known to the State of California to cause cancer or birth defects or other reproductive harm. For more information go to www.P65Warnings.ca.gov.



LAMP CONTAINS MERCURY



Manage in accordance with Spills, Disposal and Site Cleanup Requirements. In case of breakage, follow clean-up procedures provided by contacts below.

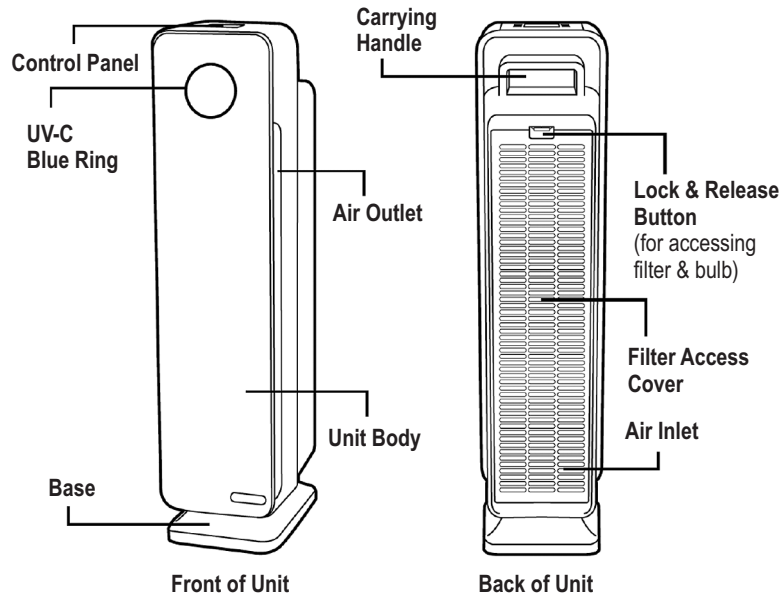
www.epa.gov/cflcleanup 1-866-284-4010



This product earned the ENERGY STAR by meeting strict energy efficiency guidelines set by the US EPA. US EPA does not endorse any manufacturer claims of healthier indoor air from the use of this product.

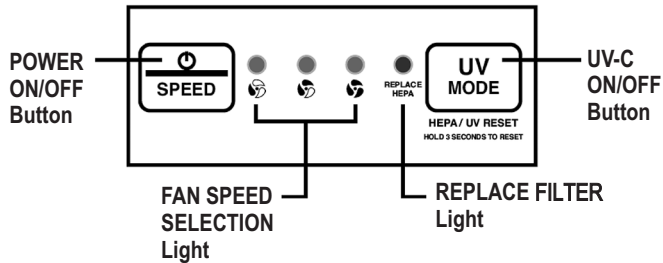
The energy efficiency of this ENERGY STAR qualified model is measured based on a ratio between the model's CADR for Dust and the electrical energy it consumes, or CADR/Watt.

PRODUCT SPECIFICATIONS AND PARTS

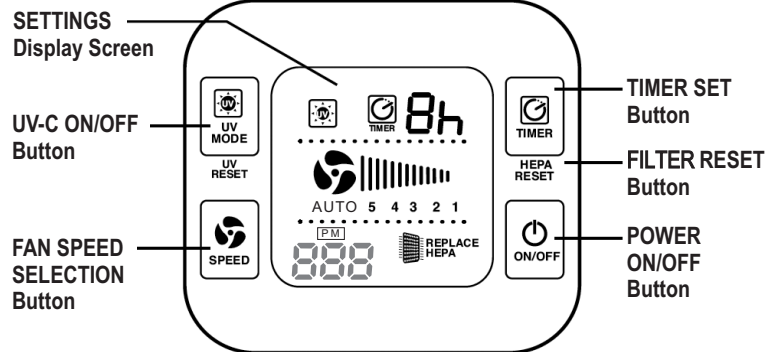


CONTROLS

AC5300 Series Control Panel



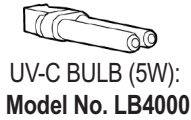
AC5350 Series Control Panel



REPLACEMENT PARTS



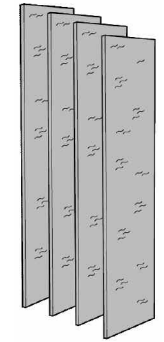
FILTER:
Filter C
 Model No.
FLT5000



REPLACEMENT
 CARBON FILTER
 4-PACK:
 Model No.
FLT28CB4



Check out our
AutoShip & Save
 Filter Replacement Program™
www.guardiantechnologies.com



IMPORTANT: To maintain warranty and the performance of the air cleaner, use Guardian Technologies GENUINE Replacement Parts only. To Purchase Contact Customer Service

AIR CLEANING SYSTEM

Improve your indoor air quality with your new germguardian® Air Cleaning System. Multiple levels of cleaning include a combination filter that captures allergens, and Charcoal filter to remove odors. UV-C light technology enhances germ-killing.

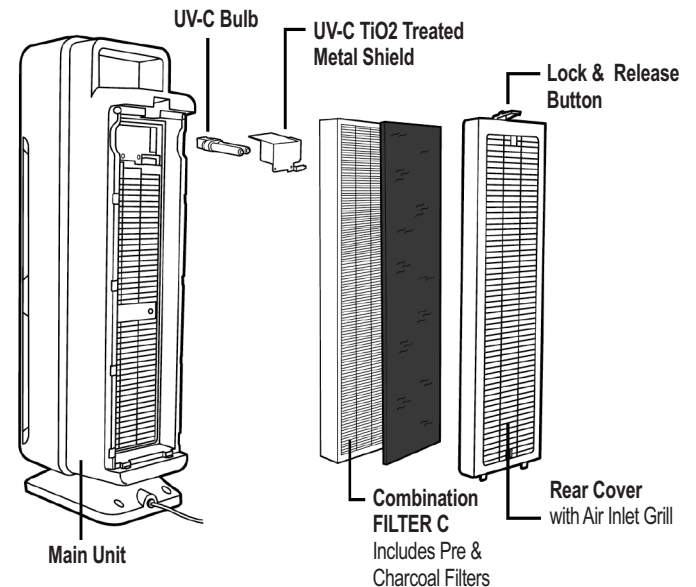
Pre-Filter* - Captures initial dust and allergen particles.

Activated Carbon Filter - Charcoal/Activated Carbon contributes to the control and prevention of the growth of bacteria, germs and mold.

UV-C Light - UV-C light technology works with Titanium Dioxide (TiO₂) to enhance the elimination of airborne germs. TiO₂ is activated by the UV-C light to decompose remaining odor molecules caused by smoking, cooking and pets.

*Pre-Filter and Carbon Filter are combined into one layer that attaches to the Filter.

AIR CLEANING LAYERS



OPERATING INSTRUCTIONS

BEFORE OPERATING THE AIR PURIFIER:

1. Select a firm, level and flat location for the air purifier.
 - * For proper air flow, locate the unit at least 1 foot from any wall or furniture.
 - * Make sure none of the grills are blocked.
2. Plug the power cord into a 120V AC outlet.

IMPORTANT: When moving the air purifier, always lift unit by the carrying handle located on back.

OPERATING THE AIR PURIFIER (AC5300 SERIES):



1. Turn unit power ON. To turn OFF, press and hold button for 3 seconds.



2. Select fan speed MODE 1 - 3
 - 1 = low, ultra quiet sleep mode
 - 3 = high



3. Select UV-C ON or OFF using UV-C Mode Button.



Filter Replacement Indicator: The Replace Filter light on the control panel will illuminate and flicker indicating that it is time to replace your filter. Replace the filter according to directions (E-7) then press and hold the **UV Mode** button for 3 seconds to reset the system.

UV Bulb Replacement Indicator: The circular blue light on the front panel of the purifier will flicker when it's time to replace the bulb. Replace the bulb according to directions (E-8), then press and hold **UV Mode** button for 3 seconds to reset the system.

OPERATING THE AIR PURIFIER (AC5350 SERIES):



1. Turn unit power ON.



2. Select fan speed MODE 1 - 5
 - 1 = low, ultra quiet sleep mode
 - 5 = high speed allergen control - Default setting is 5



3. Select UV-C ON or OFF using UV-C Mode Button.



4. **TIMER:** If you prefer to run the purifier for a specific number of hours, you can select between 1 and 8 hours on the display.

Filter Replacement Indicator: The Replace Filter light on the control panel will illuminate and flicker indicating that it is time to replace your filter. Replace the filter according to directions (E-7) then press and hold the **UV Mode** button for 3 seconds to reset the system.

UV Bulb Replacement Indicator: The circular blue light on the front panel of the purifier will flicker when it's time to replace the bulb. Replace the bulb according to directions (E-8), then press and hold **UV Mode** button for 3 seconds to reset the system.

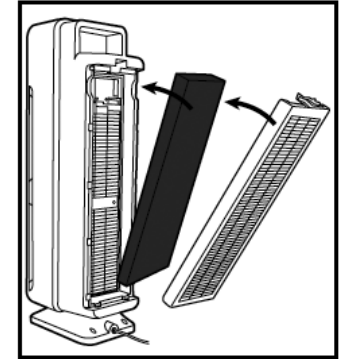
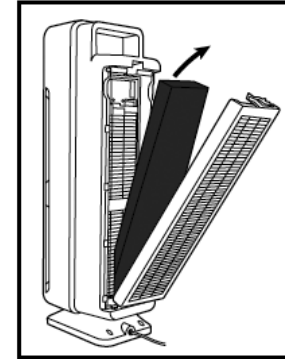
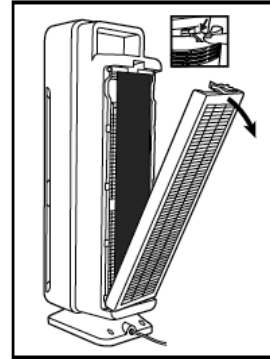
Control Panel Beep/Sound: The sound emitted from pressing the buttons on the control panel can be turned off/on by holding the **Speed** button for 3 seconds.

FILTER REPLACEMENT



The Air Cleaner will beep for 30 seconds and the Replace Filter light will flash continuously indicating that it is time to replace your filter. Replace the filter according to directions then restart the system. Depending on usage, filter will last approximately 6 months.

1. Turn off and unplug the unit.



2. Press the lock and release button and remove the rear cover from the unit.
3. Remove the used Combination Filter (Filter C) and dispose of it in the garbage.
4. Insert filter system into the unit. Consult the arrow on the filter for correct installation direction.
5. Reattach the rear cover of the unit and securely latch into place.

CHECKING AND MAINTAINING FILTER

Maintain the filter by checking it frequently.

Depending on air quality conditions, you may need to replace it more frequently.

Vacuum the carbon filter layer as needed to remove loose debris and dust and to help prolong the life of your filter.

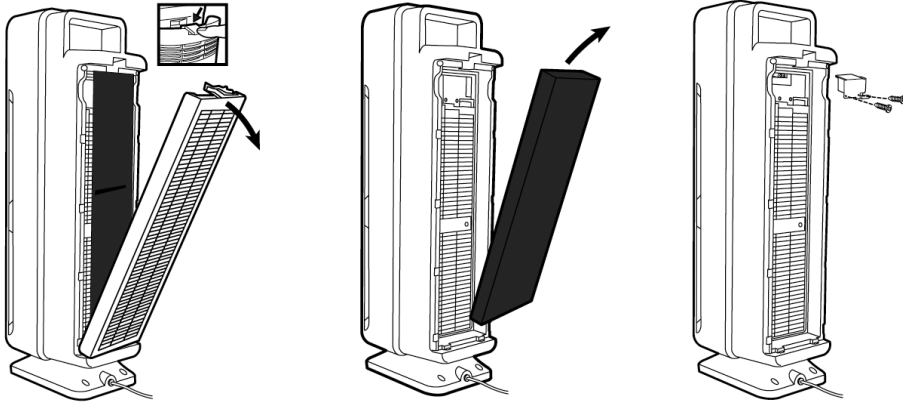
To check the status of the filter, peel back the carbon layer to expose the pleated filter. If the filter is no longer white and is covered in grey dust/dirt it should be replaced.

IMPORTANT: Do NOT try to wash and re-use the Combination Filter.

IMPORTANT: To maintain warranty and the performance of the air cleaner, use Guardian Technologies GENUINE Replacement Parts only.

INSTALLING & REMOVING UV-C BULB

UV Bulb Replacement Indicator: The UV light on the display will flash when its time to replace the UV bulb.

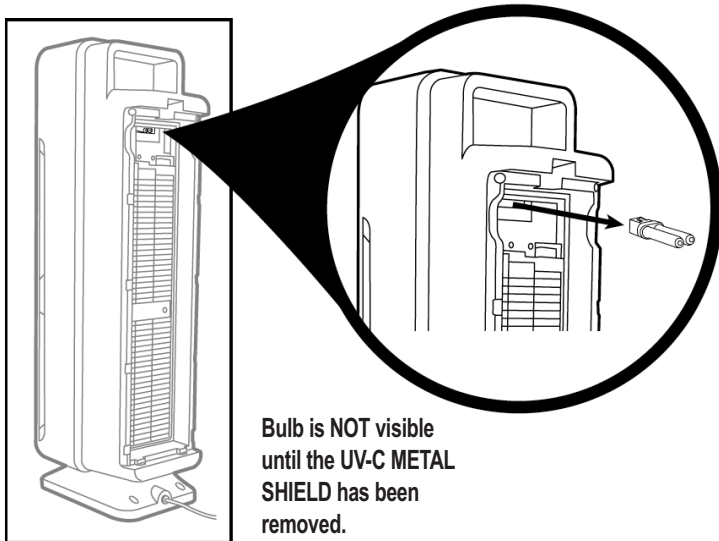


1. Turn off and unplug unit.
Press the lock and release button and remove the rear cover from the unit.

2. Remove the combination filter.

3. Use a Philips head screwdriver to remove 2 screws and detach the UV-C Metal Shield.

4. The UV-C Bulb is removed by carefully grasping the bulb with a clean cloth or tissue and pulling the bulb straight out of the unit.



5. The UV-C Bulb is reinstalled by sliding it, horizontally, back into the slots at the top of the unit.

NOTE: Do NOT stick any foreign objects or your fingers inside of the unit.

CAUTION: Do NOT use gasoline, benzine, thinner, harsh cleaners, etc. on and/or in the unit while cleaning as they will damage the product.

NEVER use alcohol or other solvents.

TROUBLESHOOTING GUIDE

PROBLEM	SOLUTION
Unit does not operate.	Check that the unit is plugged in. Check that filter is in place. Confirm that filter is Genuine Replacement Filter Call Customer Service.
Unit shuts off unexpectedly.	Check that unit is plugged into a working electrical outlet. Check that filter is firmly in place. Check that the Rear Cover is latched firmly in place. Call Customer Service.
No air circulating from unit.	Unplug unit. Check Pre-/Carbon and filters. Clean Pre-/Carbon Filter if necessary. Replace filter if necessary.
Increase in noise level.	Make sure the filters are clean. Replace if necessary.
Control buttons "beep" when pushed. (AC5350 Series)	To shut off the "beeping" sound when buttons are pushed. 1. Press and hold the TIMER and UV buttons for 3 seconds. 2. Select ON/OFF. 'Beeping' will automatically be reset to ON when the unit is unplugged.
Red light is flashing.	Replace filter and reset system.
Blue ring on product is flashing.	Replace bulb and reset system.

What is CADR?

CADR stands for "Clean Air Delivery Rate," which indicates the volume of filtered air delivered by an air purifier. CADR ratings show the effectiveness of how efficient the air purifier is at capturing fine particles from things like tobacco smoke and plant pollens from the room.

Clean Air Delivery Rate

From air cleaner to air cleaner, compare the CADR numbers. First look at suggested room size. Then refer to the Clean Air Delivery Rate (CADR) numbers. The higher the number, the faster the unit filters the air.

Refer to website for individual model CADR numbers.

GARANTIE LIMITÉE

Guardian Technologies LLC garantit au consommateur que cet appareil est exempt de défauts matériels ou de fabrication, à partir de la date d'achat originale. Veuillez garder votre reçu de vente original pour justifier la date d'entrée en vigueur de la période de garantie. Sans reçu, la garantie devient nulle et non avenue. Si cet appareil s'avère défectueux pendant la période de garantie, nous réparerons ou remplacerons toutes les pièces défectueuses gratuitement. Toute réparation couverte par la présente garantie doit être effectuée par Guardian Technologies LLC. **La présente garantie ne couvre pas les réparations non autorisées.** La présente garantie ne couvre pas l'usure inhabituelle et les dommages causés par accident ou par une utilisation déraisonnable de l'appareil. La présente garantie ne couvre l'appareil que s'il est utilisé conjointement à des **accessoires d'origine de Guardian Technologies**. La garantie couvre uniquement un appareil acheté auprès de distributeurs agréés. La présente garantie vous donne certains droits juridiques. Vous pouvez également bénéficier d'autres droits (les droits peuvent varier d'un État à l'autre aux États-Unis).

L'enregistrement de garantie de l'appareil peut se faire en ligne à l'adresse

www.guardiantechnologies.com. Nous considérons le processus d'enregistrement comme important afin d'assurer un service supérieur à notre clientèle. Cependant, l'envoi de cette carte de garantie est facultatif et n'affectera en rien vos droits de faire valoir cette garantie en accord avec les conditions susmentionnées. Pour faire valoir la présente garantie, l'appareil complet doit être envoyé en port payé à Guardian Technologies LLC. Veuillez fournir des informations exhaustives, notamment : spécifiez la nature du problème, le numéro de modèle, la date d'achat, et incluez vos nom, adresse et numéro de téléphone (courriel facultatif) ainsi qu'une copie du reçu de vente original. Retournez l'appareil à l'attention de : Customer Service, et à l'adresse indiquée ci-après. Posez vos questions ou faites part de vos commentaires au numéro sans frais indiqué ci-après.

La présente garantie peut être enregistrée en ligne à : www.guardiantechnologies.com.
Des copies supplémentaires de ce manuel d'utilisation peuvent être obtenues sur notre site Internet puis imprimées, ou en appelant le service à la clientèle.

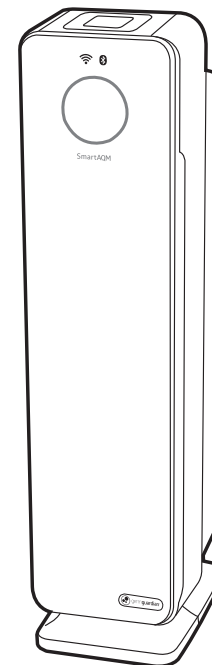


Guardian Technologies LLC
26251 Bluestone Blvd. • Euclid, OH 44132
1.866.603.5900 • www.guardiantechnologies.com

©2016 Guardian Technologies LLC



UTILISATION ET INSTRUCTIONS D'ENTRETIEN



Système de purification d'air

Modèles des séries AC5300, AC5350

Garantie limitée de un (5) an

Service à la clientèle :

1.866.603.5900

www.guardiantechnologies.com

Date d'achat mois _____ année _____

Anglais E - 1 Français F - 1 Espagnol S - 1

Remarque : N'annulez pas la garantie – utilisez uniquement des pièces de rechange **ORIGINALES** de Guardian Technologies.

REV0717

LIRE ET CONSERVER CES INSTRUCTIONS AVERTISSEMENTS

Le non-respect des avertissements mentionnés ci-dessous peut provoquer une décharge électrique ou des blessures graves.



Ce produit doit être utilisé en conformité avec les directives indiquées dans le présent manuel. De graves blessures peuvent résulter d'un usage du produit autre que celui indiqué dans le présent manuel.

Lorsque vous utilisez un appareil électrique, vous devez toujours respecter certaines consignes élémentaires de sécurité afin de réduire le risque de feu, de choc électrique et de blessure, dont les suivantes.

- Lisez toutes les instructions avant d'utiliser cet appareil.
- **IMPORTANT** - Cet appareil d'éclairage portable est équipé d'une fiche polarisée (une tige de la fiche est plus large que l'autre) pour réduire le risque de choc électrique. Cette fiche s'installe d'une seule façon dans la prise de courant. Si la fiche ne s'insère pas entièrement dans la prise, insérez-la dans l'autre sens. Si elle ne s'insère toujours pas, contactez un électricien agréé. Ne jamais utiliser de rallonge électrique à moins que la fiche s'insère entièrement. Ne modifiez pas la fiche.
- Pour éviter tout risque d'incendie ou de choc électrique, branchez l'appareil directement dans une prise électrique de 120 V c.a.
- Gardez le cordon d'alimentation à l'écart des zones de passage. Pour éviter tout risque d'incendie, ne faites JAMAIS passer le cordon d'alimentation sous un tapis ou à côté de grilles de chauffage, de radiateurs, d'appareils de chauffage ou de cuisinières.
- Pour protéger contre tout risque de choc électrique, NE plongez PAS l'appareil dans l'eau ou dans un liquide quelconque. N'utilisez pas cet appareil à proximité de l'eau.
- Une surveillance étroite est impérative lorsque tout appareil est utilisé à proximité d'enfants ou d'animaux de compagnie.
- Débranchez toujours le purificateur d'air avant de le déplacer, d'ouvrir a grille de protection, de changer les filtres ou lorsqu'il n'est pas utilisé. Assurez-vous de débrancher l'appareil en tirant sur la prise et non sur le cordon.
- Ne laissez JAMAIS tomber et n'insérez JAMAIS d'objets dans tout orifice de l'appareil.
- Ne faites pas passer le cordon électrique sous la moquette.
- Ne recouvrez pas le cordon électrique avec des carpettes, des tapis d'escalier ou tout autre revêtement similaire.
- Ne faites pas passer le cordon électrique sous les meubles ni les appareils électroménagers. Disposez le cordon électrique à l'écart de la zone de passage et où personne ne risque de trébucher dessus.
- N'utilisez JAMAIS un appareil dont le cordon d'alimentation ou la fiche est endommagé, dont le moteur du ventilateur ne tourne plus, à la suite d'une défaillance ou d'une panne, ou qui est tombé ou est endommagé de quelque manière que ce soit. Veuillez communiquer avec le service à la clientèle au 1.866.603.5900 pour obtenir de l'aide.
- N'utilisez l'appareil que conformément à son utilisation prévue et décrite dans le présent manuel. Toute utilisation autre que celles recommandées par le fabricant risque de provoquer un incendie, un choc électrique ou des blessures.
- N'utilisez PAS cet appareil à l'extérieur.
- N'obstruez JAMAIS les sorties d'air, les grilles de protection ou les prises de l'appareil. Ne placez JAMAIS l'appareil sur une surface molle, telle qu'un lit ou un canapé, car cela risque de faire tomber l'appareil, obstruant la sortie ou l'entrée d'air.

- N'essayez PAS de réparer ou de régler toute fonction électrique ou mécanique de cet appareil. Agir ainsi annulera la garantie. L'intérieur de cet appareil ne contient aucune pièce remplaçable. Toute réparation doit être faite uniquement par un professionnel qualifié.
- NE METTEZ rien sur l'appareil.
- Les enfants ne peuvent pas identifier les risques liés à l'utilisation des appareils électriques. Pour cette raison, surveillez toujours les enfants lorsqu'ils sont à proximité du purificateur d'air.
- **AVERTISSEMENT:** Pour réduire le risque d'incendie ou de choc électrique ne pas utiliser ce ventilateur avec un dispositif de commande de la vitesse à semi-conducteurs quel qu'il soit.
- **AVERTISSEMENT :** Ne regardez pas directement la lumière émise par la lampe dans cet appareil pour éviter des dommages à la peau ou aux yeux. Débranchez toujours l'alimentation avant de remplacer la lampe ou d'entretenir l'appareil. Remplacez la lampe avec le modèle de lampe no LB4000, fabriqué par Guardian Technologies.
- Débranchez toujours l'appareil avant d'effectuer tout nettoyage ou tout entretien.
- **MISE EN GARDE :** N'utilisez PAS d'essence, de benzène, de diluant ou de nettoyeurs puissants (entre autres) pour nettoyer la surface intérieure ou l'extérieur de l'appareil, car cela risque de l'endommager. N'utilisez JAMAIS d'alcool ni d'autres dissolvants.

L'ozone moyenne pondérée dans le temps de 8 heures pour ce produit est de 0,001 ppmv lors de tests dans une chambre de 30 m³. Le produit est conforme avec la concentration maximale permise d'ozone de 0,05 parties par million par volume (ppmv) dans une période de 24 heures. Les lignes directrices de Santé Canada 2010 recommandent que la limite d'exposition maximale, selon un temps moyen de 8 heures, soit de 0,020 ppmv ou moins lors de tests dans une salle hermétique et contrôlée d'environ 30 m³.



AVERTISSEMENT : Ce produit peut vous exposer à des produits chimiques, y compris du plomb et des composés de plomb, qui sont reconnus par l'État de la Californie comme causant le cancer et des malformations congénitales, ou ayant des effets nocifs sur la reproduction. Pour de plus amples informations visitez le site www.P65Warnings.ca.gov.



L'AMPOULE CONTIENT DU MERCURE



Veillez respecter les exigences en matière de déversement, d'élimination et de nettoyage. En cas de bris, suivez les consignes fournies par les sources ci-dessous pour le nettoyage.

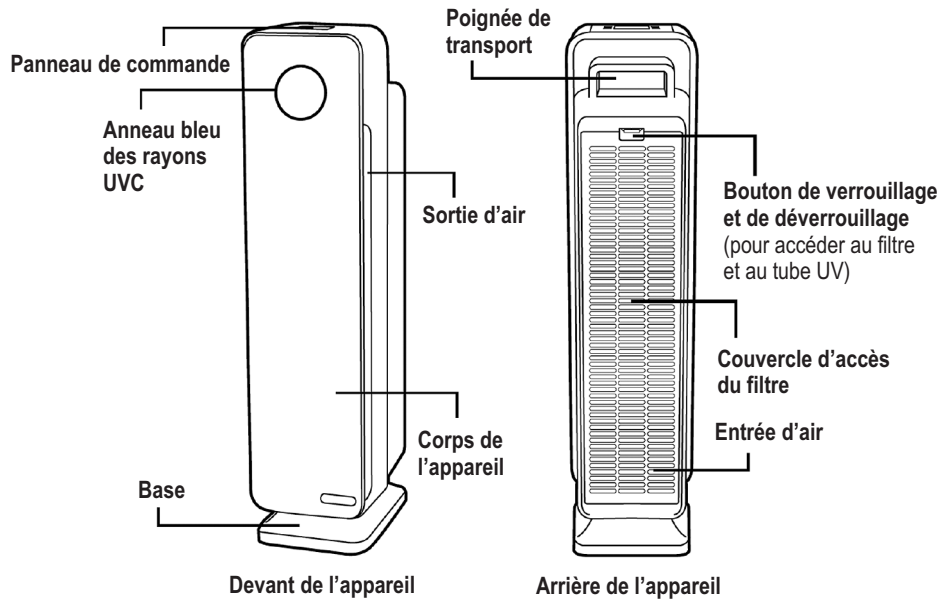
www.epa.gov/cficleanup 1-866-284-4010



Une étoile ENERGY STAR a été attribuée à cet article pour avoir satisfait les normes d'efficacité énergétique strictes établies par l'agence américaine de protection de l'environnement (EPA). L'EPA ne corrobore aucune des déclarations du fabricant affirmant que l'utilisation de ce produit assainit l'air intérieur.

L'efficacité énergétique de ce modèle répondant aux exigences qui lui permettent de porter le symbole ENERGY STAR est mesurée selon le rapport entre le débit d'air purifié (Clean Air Delivery Rate ou CADR) pour la poussière du modèle et l'énergie électrique qu'il consomme, ou CADR/watts.

SPÉCIFICATIONS DU PRODUIT ET PIÈCES



BOUTONS DE COMMANDE

Tableau de commande des modèles de la série AC5300

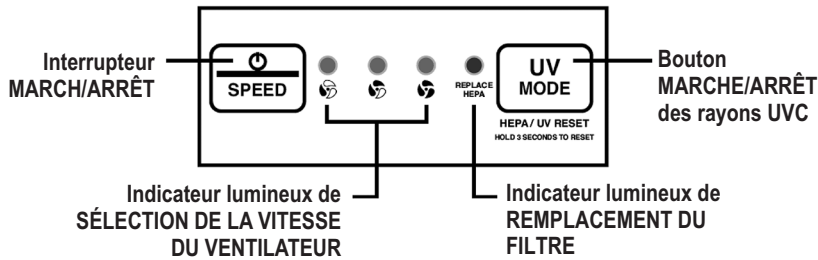
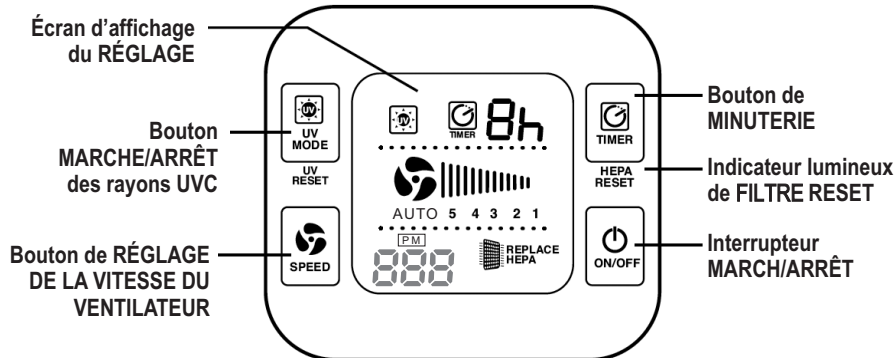


Tableau de commande des modèles de la série AC5350



PIÈCES DE RECHANGE



FILTRE:
FiLTRE **C**
Numéro
de modèle
FLT5000



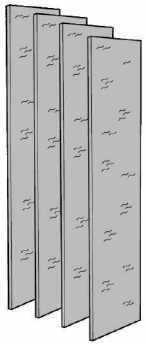
TUBE UVC (5W):
Model No. LB4000

Paquet de 4 filtres
No de modèle
FLT28CB4



Check out our
AutoShip & Save

Découvrez notre programme en ligne de
rappel de remplacement des filtres.
www.guardiantechnologies.com



IMPORTANT: Pour maintenir la garantie et la performance du purificateur d'air, n'utilisez que des pièces de rechange AUTHENTIQUES de Guardian Technologies. Pour acheter, communiquez avec le service à la clientèle.

SYSTÈME DE PURIFICATION D'AIR

Améliorez la qualité de l'air intérieur grâce à ce nouveau système complet de purification de l'air à filtre et à rayon UVC de germguardian. Les multiples niveaux de purification incluent l'action conjointe du filtre pour retenir les allergènes et les acariens que du filtre à charbon pour éliminer les odeurs. La technologie à rayon UVC améliore l'élimination des germes.

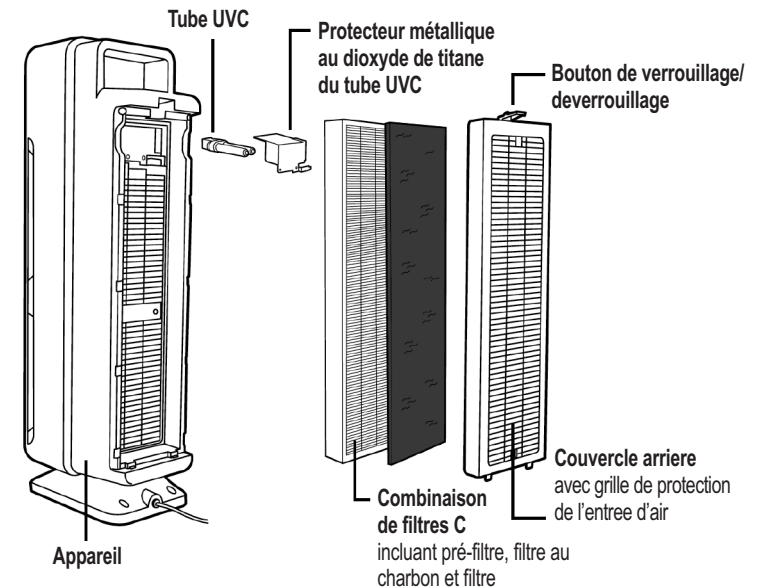
Préfiltre* - Retient les particules de poussière et d'allergènes initiales.

Charbon Actif - Permet le contrôle et la prévention de la prolifération des bactéries, des germes et des moisissures.

Lampe à rayon UVC - L'action conjointe de la technologie à rayon UVC et des filtres permet d'améliorer l'élimination des germes en suspension dans l'air.

*Le préfiltre et le filtre au charbon sont combinés en un seul filtre que s'accroche au filtre et anti-acariens.

NIVEAUX DE LA PURIFICATION DE L'AIR



INSTRUCTIONS D'UTILISATION

AVANT D'UTILISER LE PURIFICATEUR D'AIR:

1. Choisissez une surface dure, plane et de niveau pour y poser l'appareil.
 - * Pour un bon écoulement de l'air placez l'appareil à au moins 30cm de tout mur et de tout meuble.
 - * Vérifiez qu'aucune des grilles de protection n'est obstruée.
2. Branchez le cordon d'alimentation dans une prise de courant standard de 120V c.a.

IMPORTANT: Lors du transport de l'appareil, soulevez-le toujours à l'aide de la poignée située à l'arrière.

UTILISATION DU SYSTÈME DE PURIFICATION D'AIR (MODÈLES DE LA SÉRIE AC5300):



1. Mettez l'appareil en MARCHE (ON). Pour l'éteindre, appuyez sur le bouton pendant 3 secondes.



2. Sélectionnez la vitesse du ventilateur, MODE de 1 à 3.

1 = mode basse vitesse ultra-silencieux de nuit

3 = mode vitesse élevée



3. Sélectionnez l'activation ou la désactivation des rayons UVC à l'aide du bouton UV.



Indicateur lumineux de remplacement du filtre : l'indicateur lumineux de remplacement du filtre s'allume et clignote sur le tableau de commande lorsqu'il est temps de remplacer le filtre.

Remplacez le filtre en suivant les directives (F-7) puis appuyez sur le **bouton UV** pendant 3 secondes pour réinitialiser le système.

Indicateur lumineux de remplacement du tube UV : L'anneau lumineux bleu sur le devant du tableau de commande du système de purification d'air clignote lorsqu'il est temps de remplacer le tube. Remplacez le tube en suivant les directives (F-8) puis appuyez sur le **bouton UV** pendant 3 secondes pour réinitialiser le système.

UTILISATION DU SYSTÈME DE PURIFICATION D'AIR (MODÈLES DE LA SÉRIE AC5350) :



1. Mettez l'appareil en MARCHE (ON).



2. Sélectionnez la vitesse du ventilateur, MODE de 1 à 5.

1 = mode basse vitesse ultra-silencieux de nuit

5 = mode vitesse élevée de contrôle des allergènes

Par défaut, l'appareil est réglé sur le mode 5.



3. Sélectionnez l'activation ou la désactivation des rayons UVC à l'aide du bouton UV.



4. **MINUTERIE :** si vous préférez faire fonctionner le système de purification d'air pendant un nombre donné d'heures, vous pouvez sélectionner entre 1 et 8 heures sur l'écran d'affichage.

Indicateur lumineux de remplacement du filtre : l'indicateur lumineux de remplacement du filtre s'allume sur le tableau de commande lorsqu'il est temps de remplacer le filtre. Remplacez le filtre en suivant les directives (F-7) puis appuyez sur le bouton **Timer** (minuterie) pendant 3 secondes pour redémarrer le système.

Indicateur lumineux de remplacement du tube UV : L'anneau lumineux bleu sur le devant du tableau de commande du système de purification d'air clignote lorsqu'il est temps de remplacer le tube. Remplacez le tube en suivant les directives (F-8) puis appuyez sur le **bouton UVC** pendant 3 secondes pour réinitialiser le système.

Bip et son émis par le tableau de commande : le son émis en appuyant sur les boutons du tableau de commande peut être activé ou désactivé en appuyant sur le bouton **Speed** (vitesse) pendant 3 secondes.

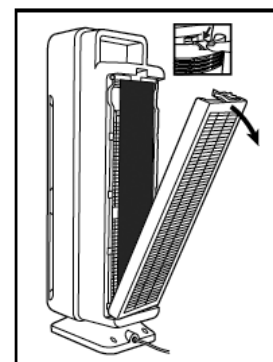
REPLACEMENT DU FILTRE



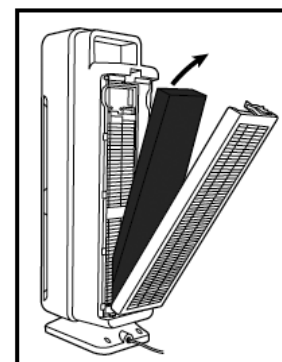
Le système de purification d'air émet un bip pendant 30 secondes et l'indicateur lumineux de remplacement du filtre clignote sans interruption lorsqu'il est temps de remplacer le filtre.

Remplacez le filtre conformément aux instructions puis insérez la pointe d'un crayon dans le bouton réinitialisation (Filtre reset) sur le tableau de commande pour remettre à zéro le système. Selon l'utilisation, la durée de vie du filtre est d'environ 6 mois.

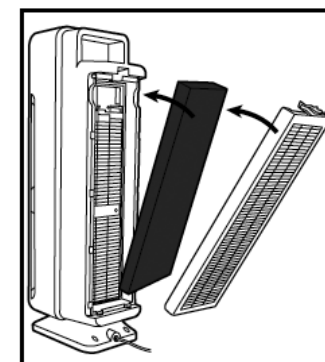
1. Arrêtez l'appareil et débranchez-le.



2. Appuyez sur le bouton de verrouillage/déverrouillage et retirez le couvercle à l'arrière de l'appareil.



3. Enlevez la combinaison de filtres usée (Filtre B) et jetez-la dans les ordures ménagères.



4. Insérez le filtre obtenu dans l'appareil. Consultez la flèche sur le filtre pour le sens adéquat pour l'installation.

5. Reattachez le couvercle arrière de l'appareil et verrouillez-le bien en place.

NETTOYAGE ET ENTRETIEN DE LA COMBINAISON DE FILTRES

Faites l'entretien du filtre en le vérifiant fréquemment.

Selon les conditions de la qualité de l'air, vous pourriez devoir le remplacer plus fréquemment.

Aspirez la couche du filtre à charbons si requis pour enlever les débris lâches et la poussière, et pour aider à prolonger la durée de vie de votre filtre. (Consultez la page E5 pour une vue des couches du filtre).

Pour vérifier le statut du filtre, enlevez la couche de carbone pour monter le filtre plissé.

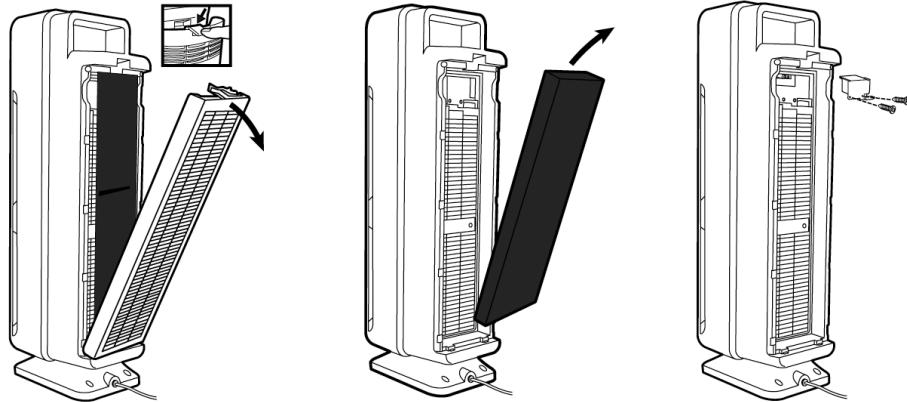
Si le filtre n'est plus blanc et qu'il est couvert d'une poussière grise et d'une saleté, il doit être remplacé..

Important : ne lavez PAS et ne réutilisez PAS la combinaison de filtres.

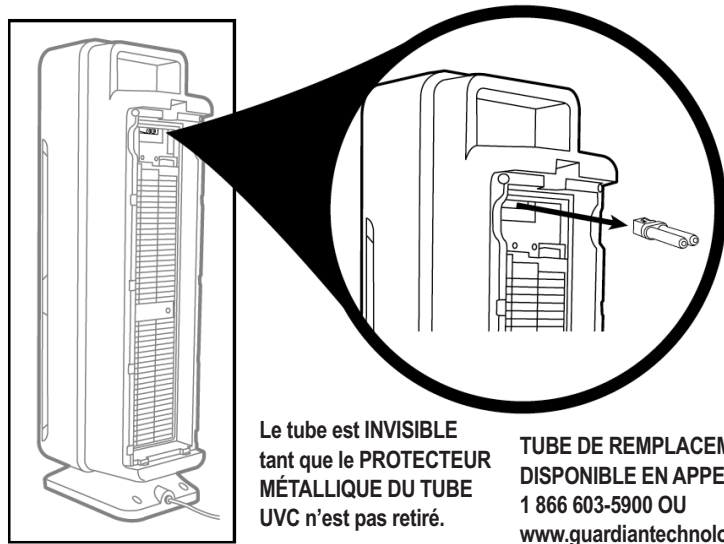
IMPORTANT : Pour maintenir la garantie et la performance du nettoyeur d'air, n'utilisez que des pièces AUTHENTIQUES de rechange de Guardian Technologies.

INSTALLER ET RETIRER LE TUBE UVC

Voyant de remplacement du tube UV : L'anneau lumineux bleu sur le devant du tableau de commande du système de purification d'air clignote lorsqu'il est temps de remplacer le tube.



1. Arrêtez l'appareil et débranchez-le. Appuyez sur le bouton de verrouillage/déverrouillage et retirez le couvercle à l'arrière de l'appareil.
2. Retirez la combinaison de filtres de l'appareil.
3. Après avoir retiré le filtre combiné, utilisez un tournevis cruciforme pour dévisser les 2 vis et détacher le protecteur métallique de la lampe UVC.
4. Pour retirer le tube UVC, saisissez-le en utilisant un chiffon ou un mouchoir en papier propre et tirez dessus pour le dégager de l'appareil.



Le tube est INVISIBLE tant que le PROTECTEUR MÉTALLIQUE DU TUBE UVC n'est pas retiré.

TUBE DE REMPLACEMENT : LB4000 DISPONIBLE EN APPELANT LE 1 866 603-5900 OU www.guardiantechnologies.com

5. Pour réinstaller le tube UVC, faites-le glisser horizontalement dans la fente en haut de l'appareil.

Remarque: N'enfoncez PAS d'objets, ni vos doigts, à l'intérieur de l'appareil.

Avertissement: N'utilisez PAS d'essence, de benzine, de diluant ou de nettoyeurs puissants (entre autres) pour nettoyer la surface intérieure ou l'extérieur de l'appareil, car cela risque de l'endommager. N'utilisez **JAMAIS** d'alcool ni d'autres dissolvants.

GUIDE DE DEPANNAGE

PROBLÈME	SOLUTION
L'appareil ne fonctionne pas.	Vérifiez que l'appareil est branché. Vérifiez que le filtre est bien en place. Confirmez que le filtre de rechange est un filtre authentique la clientèle.
L'appareil s'éteint intempestivement.	Vérifiez que l'appareil est branché à une prise de courant fonctionnelle. Vérifiez que le filtre est bien en place. Vérifiez que le couvercle arrière est bien verrouillé. Veuillez communiquer avec le service à la clientèle.
Il n'y pas de circulation d'air.	Débranchez l'appareil. Vérifiez le préfiltre au charbon et le filtre. Nettoyez le préfiltre au charbon au besoin. Remplacez le filtre au besoin.
Augmentation du niveau de bruit.	Assurez-vous que les filtres sont propres. Remplacez-les au besoin.
Les boutons de réglage émettent un bip à chaque pression. (Modèles de la série AC5350)	Pour désactiver le « bip » à la pression des boutons : 1. Maintenez enfoncés simultanément les boutons MINUTERIE et UV pendant 3 secondes. 2. Sélectionnez ON/OFF (activer/désactiver). L'émission du « bip » est automatiquement réactivée (ON) à la suite du débranchement de l'appareil.
L'indicateur marche/arrêt clignote rouge.	Remplacez le filtre et réinitialisez le système.
L'indicateur activer/désactiver tube UVC clignote bleu.	Remplacez le tube et réinitialisez le système.

Qu'est-ce que le CADR?

CADR est l'acronyme de Clean Air Delivery Rate, soit le volume d'air filtré produit par un purificateur d'air. Le classement CADR indique l'efficacité d'un purificateur d'air dans sa filtration des particules fines, telles que la fumée de tabac et les pollens de plantes, dans une pièce.

Débit d'air pur

Comparez les performances des différents purificateurs d'air à l'aide du CADR. Premièrement, repérez la superficie de la pièce suggérée. Puis, consultez les données CADR. Plus la valeur est élevée, plus l'appareil filtre rapidement l'air.

Reportez-vous au site Web pour chaque modèle de numéros CADR



GARANTÍA LIMITADA

Para el consumidor, Guardian Technologies LLC garantiza que este producto se encuentra libre de defectos de materiales o mano de obra a partir de la fecha de compra original. Guarde el recibo de compra original para validar el inicio del período de garantía. La garantía no es válida sin el recibo correspondiente. Si durante el período de garantía se encuentra que el producto es defectuoso, repararemos o reemplazaremos las piezas defectuosas sin ningún costo. Todas las reparaciones cubiertas por la garantía deben ser realizadas por Guardian Technologies LLC. Esta garantía **no cubre las reparaciones no autorizadas**. La garantía no cubre los problemas ocasionados por desgaste inusual, daños que resulten por un accidente o el uso no razonable del producto. Esta garantía sólo cubre el producto si se utiliza con accesorios genuinos de Guardian Technologies. Esta garantía cubre el producto que se adquirió con un distribuidor autorizado. Esta garantía le otorga derechos legales específicos y usted pudiera tener otros derechos adicionales (los cuales varían en cada estado en los EE. UU.)

Puede completar el registro de la garantía en línea en

www.guardiantechnologies.com. Consideramos que el proceso de registro es importante para garantizar el servicio superior a nuestros clientes; sin embargo, el envío del comprobante de registro es opcional y no afecta sus derechos para utilizar la garantía de acuerdo a las condiciones estipuladas anteriormente. Para enviar el producto cubierto por la garantía, el aparato completo debe enviarse con porte pagado por anticipado a Guardian Technologies LLC. Incluya toda la información, incluso: la descripción del problema, el número de modelo del producto, la fecha de compra, una copia del recibo de compra original junto con su nombre dirección y número de teléfono (puede incluir su dirección de correo electrónico de manera opcional.) Dirija las devoluciones a la atención de: Departamento de servicio al cliente, a la dirección que se indica a continuación. Si tiene preguntas o comentarios llame sin costo al número de teléfono que aparece abajo.

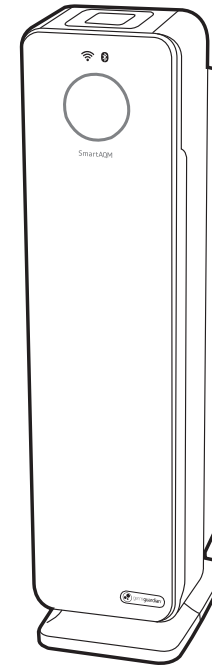
También puede registrar esta garantía en Internet en **www.guardiantechnologies.com**. Se pueden obtener copias adicionales accediéndolas e imprimiéndolas directamente en nuestro sitio web o llamando al departamento de servicio al cliente.



Guardian Technologies LLC
26251 Bluestone Blvd. • Euclid, OH 44132
1.866.603.5900 • www.guardiantechnologies.com

©2016 Guardian Technologies LLC

INSTRUCCIONES DE USO Y CUIDADO



Sistema para la Limpieza del Aire

Modelo No. AC5300, Serie AC5350

Garantía limitada por 5 año

Atención al cliente

1.866.603.5900

www.guardiantechnologies.com

Fecha de compra mes _____ año _____

Inglés E - 1 Francés F - 1 Español S - 1

Nota: No anule la garantía: Utilice únicamente piezas de repuesto GENUINAS de Guardian Technologies.

REV0717

LEA Y GUARDE ESTAS INSTRUCCIONES ADVERTENCIAS

El no cumplir las advertencias que se enumeran a continuación puede provocar un choque eléctrico o lesiones severas.



Debe usarse este producto sólo de acuerdo a las especificaciones descritas en este manual. Usarlo de una manera diferente a lo indicado puede ocasionar lesiones severas.

Al usar un electrodoméstico, debe seguir siempre ciertas precauciones básicas para disminuir el riesgo de incendio, choque eléctrico y lesiones personales, las cuales incluyen todo lo siguiente:

- Antes de usar el electrodoméstico, lea todas las instrucciones.
- **IMPORTANTE** - Como una característica adicional, esta luminaria portátil tiene una clavija polarizada (una hoja es más ancha que la otra) con el fin de reducir el riesgo de choque eléctrico. Esta clavija encajará en un tomacorriente polarizado de una manera solamente. Si la clavija no encaja bien en el tomacorriente, invierta la clavija. Si aún así no encaja, póngase en contacto con un electricista calificados. Nunca use una extensión eléctrica a menos que la clavija pueda insertarse por completo. No modifique la clavija.
- Para evitar un incendio o choque eléctrico, conecte directamente el aparato a un tomacorriente de 120 V de corriente CA.
- Mantenga el cordón eléctrico alejado de las áreas de gran tránsito peatonal. Para evitar el riesgo de incendio, NUNCA ponga el cordón eléctrico debajo de las alfombras, ni cerca de rejillas de calefacción, radiadores, estufas ni calentadores.
- Para evitar los riesgos eléctricos, NO sumerja este aparato en agua o en otros líquidos. No use este aparato cerca del agua.
- Cuando se utilice un aparato en un área donde hay niños o mascotas presentes, debe vigilarlos en todo momento.
- Desconecte siempre el purificador de aire antes de moverlo, abrir la rejilla, cambiar los filtros, antes de limpiarlo o cuando no lo use. Asegúrese de desconectarlo tomándolo del enchufe, no del cordón eléctrico.
- NUNCA deje caer ni inserte un objeto en cualquier abertura.
- No pase el cordón eléctrico por debajo de la alfombra.
- No cubra el cordón eléctrico con tapetes, plásticos protectores para alfombrado o cubiertas similares.
- No pase el cordón eléctrico por debajo de los muebles o aparatos electrodomésticos. Mantenga el cordón eléctrico alejado de las áreas de gran tránsito peatonal y de los lugares en que pueda provocar tropezones.
- NO utilice ningún aparato cuyo cordón eléctrico o clavija estén dañados, si el motor del ventilador no gira, si el aparato no funciona correctamente o si se ha caído o dañado de alguna forma. Si necesita ayuda, llame al departamento de servicio al cliente al 1.866.603.5900.
- Use este aparato únicamente para el uso doméstico previsto, como se describe en este manual. Cualquier otro tipo de uso no recomendado por el fabricante podría provocar un incendio, choque eléctrico o lesiones personales.
- No se debe utilizar en exteriores.
- NUNCA bloquee las aberturas para el aire, las rejillas/salidas del aparato, ni coloque el producto sobre una superficie suave, como una cama o sofá, ya que esto podría provocar que el aparato se vuelque, se bloquee la abertura de entrada o la salida del aire.
- No intente reparar o ajustar un funcionamiento eléctrico o mecánico incorrecto de esta unidad. El hacerlo anulará la garantía. El interior del aparato no contiene piezas que requieren mantenimiento. Todas las labores de servicio y mantenimiento deben ser realizadas sólo por personal calificado.

- NO coloque ningún objeto en la parte superior de la unidad.
- Los niños no pueden percatarse de los riesgos asociados con el uso de aparatos electrodomésticos. Por este motivo siempre debe vigilar a los niños cuando se encuentren cerca del purificador de aire. (una hoja es más ancha que la otra) con el fin de reducir el riesgo de choque eléctrico. Esta clavija
- **ADVERTENCIA:** Para disminuir el riesgo de incendio o choque eléctrico, no utilice este ventilador con ningún dispositivo de control de velocidad de estado sólido.
- **ADVERTENCIA:** Ver directamente la luz producida por la lámpara de este aparato podría ocasionar daños en la piel o en los ojos. Siempre desconecte la corriente antes de reemplazar o darle mantenimiento a la lámpara. Reemplace la lámpara con la lámpara Modelo No. LB4000, fabricado por Guardian Technologies.
- Desconecte siempre la unidad antes de limpiarla o darle mantenimiento.
- **PRECAUCIÓN:** NO utilice gasolina, benceno, solvente, limpiadores agresivos, etc. para limpiar el interior y el exterior de la unidad, ya que podrían dañar el aparato. NUNCA utilice alcohol ni otro tipo de solventes.

El valor límite de umbral (TWA) de ozono durante 8 horas de este producto es 0.001 ppmv cuando se prueba en una habitación de 30 m³. El producto cumple con la concentración máxima permisible de ozono, de 0.050 partes por millón por volumen (ppmv) en un periodo de 24 horas. Los Lineamientos de salud de Canadá de 2010 recomiendan que el límite máximo de exposición, basado en un tiempo promedio de 8 horas, es de 0.020 ppmv o menor, cuando se ha probado en una habitación confinada y controlada de aproximadamente 30 m³.



ADVERTENCIA: Este producto puede exponerlos a químicos que incluyen plomo, compuestos de plomo, que son conocidos en el estado de California como causantes de cáncer, defectos de nacimiento o daños reproductivos. Para mayor información, visite www.P65Warnings.ca.gov.



LA BOMBILLA CONTIENE MERCURIO



Manipule según las exigencias sobre derrames, eliminación y limpieza de derrames. En caso se rompa, siga el método de limpieza proporcionado por los siguientes contactos.

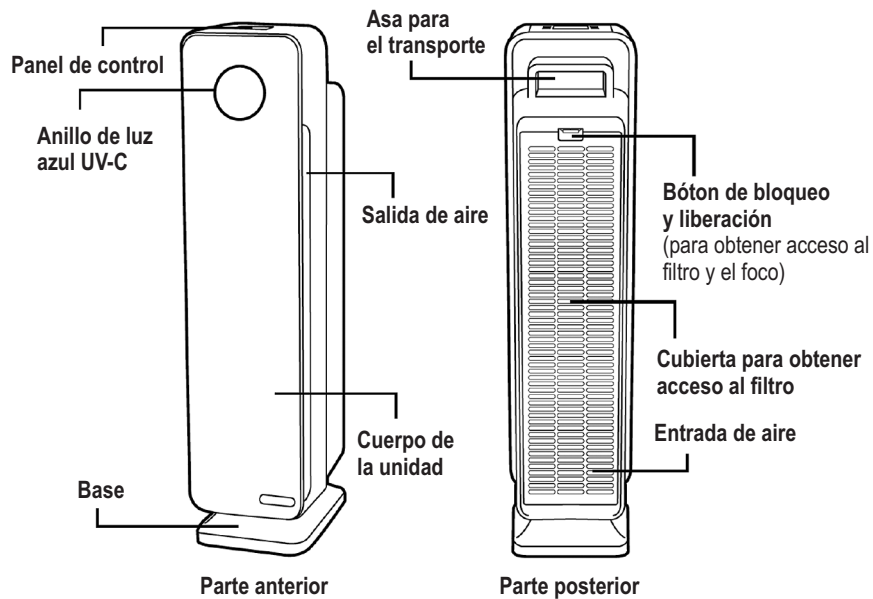
www.epa.gov/cflcleanup 1-866-284-4010



Este producto obtuvo la certificación ENERGY STAR mediante el cumplimiento de estrictas normas de ahorro de energía establecidas por la Agencia de Protección Ambiental de los Estados Unidos (US EPA, por su sigla en inglés). La EPA de los Estados Unidos no respalda las afirmaciones hechas por cualquier fabricante sobre la obtención de una calidad de aire en interiores más saludable debido al uso de este producto.

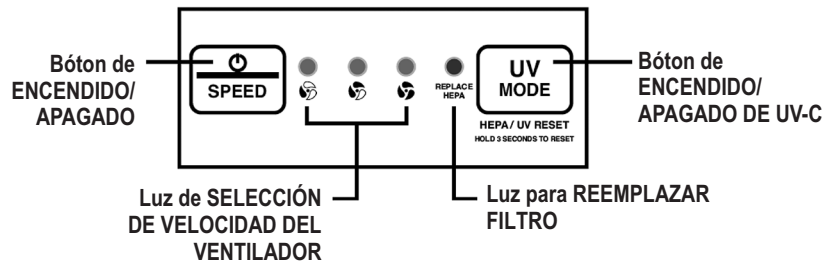
La eficiencia energética de este modelo con la certificación ENERGY STAR se mide en base a la proporción del promedio de emisión de aire puro (CADR, por su sigla en inglés) del modelo para el polvo y la energía eléctrica que consume, o CADR/vatio.

ESPECIFICACIONES Y PARTES DEL PRODUCTO

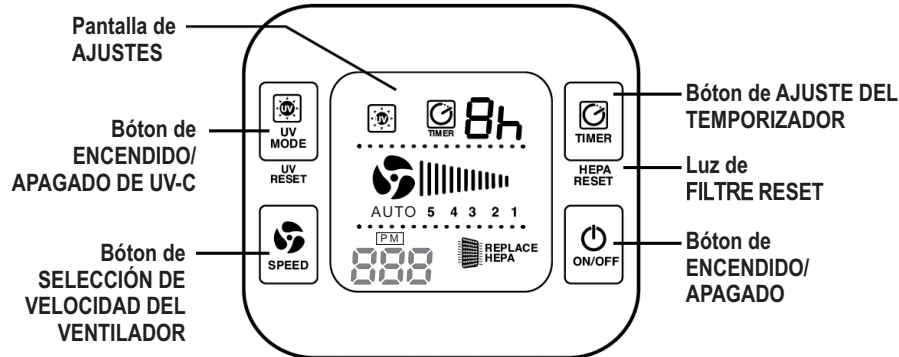


CONTROLES

Panel de control serie AC5300



Panel de control serie AC5350



REPLACEMENT PARTS

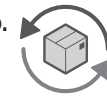


FILTRO:
Filtro **C**
Modelo No. FLT5000



FOCO UV-C (5W):
Modelo No. LB4000

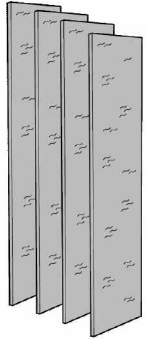
FILTRO
4-PAQUETE:
Modelo No. FLT28CB4



Check out our
AutoShip & Save

Pruebe nuestro recordatorio de cambio de filtro y el programa de filtros de repuesto en línea.
www.guardiantechnologies.com

IMPORTANTE: Para mantener la garantía y el rendimiento del purificador de aire, utilice únicamente piezas de repuesto GENUINAS de Guardian Technologies. Para realizar la compra, comuníquese con el departamento de Servicio al cliente.



SISTEMA PARA LA LIMPIEZA DEL AIRE

Mejore la calidad del aire dentro de su hogar con un sistema completo para la limpieza del aire UV-C y con filtro genuino germguardian. Los diversos niveles de purificación incluyen un filtro combinado genuino que absorbe los alérgenos, un filtro de carbón para eliminar los olores. La tecnología de luz UV-C mejora el poder de erradicación de gérmenes.

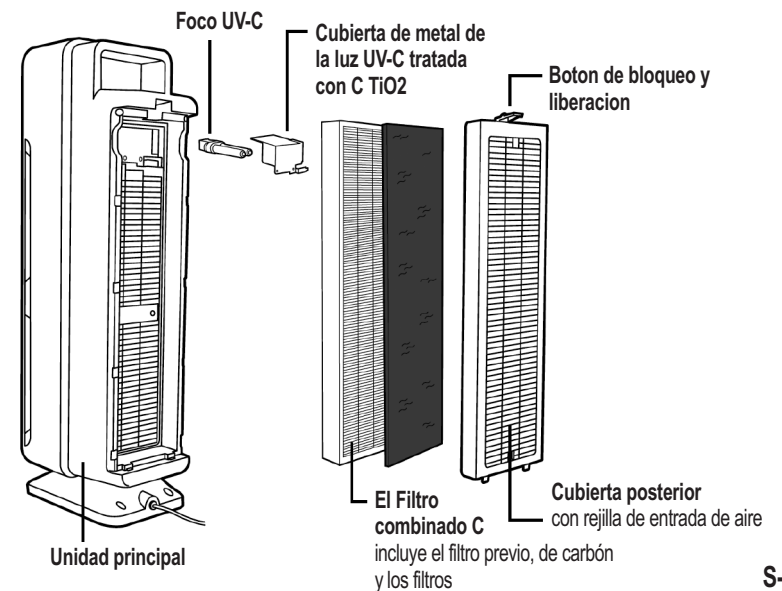
Prefiltro* - Absorbe las primeras partículas de polvo y alérgenos.

Conocido También Como Carbón Activado - Contribuye a controlar y prevenir la proliferación de bacterias, gérmenes y moho.

Luz UV-C - La tecnología de luz UV-C trabaja junto con los filtros para optimizar la eliminación de los gérmenes suspendidos en el aire.

*El prefiltro y el filtro de carbon se encuentran combinados en una sola capa que se fija al filtro

NIVELES DE PURIFICACIÓN DEL AIRE



INSTRUCCIONES DE FUNCIONAMIENTO

ANTES DE PONER A FUNCIONAR EL PURIFICADOR DE AIRE:

1. Elija una superficie firme, plana y nivelada para colocar el purificador de aire.
 - * Para que el flujo de aire sea adecuado, ubique el aparato al menos a una distancia de 30.5cm de la pared o muebles.
 - * Verifique que ninguna de las rejillas este bloqueada.
2. Conecte el cordón eléctrico a un tomacorriente de 120V de corriente CA.

IMPORTANTE: Para mover el purificador de aire, levante siempre el aparato con el asa para el transporte ubicada en la parte posterior.

FUNCIONAMIENTO DEL PURIFICADOR DE AIRE (SERIE AC5300):



1. Encienda la unidad. Para apagar la unidad, presione y sostenga el botón durante 3 segundos.



2. Seleccione la velocidad del ventilador, MODO 1 a 3
1 = modo bajo, ultra silencioso mientras usted duerme
3 = alto



3. Active o desactive la luz UV-C con el botón Modo UV-C.



Indicador de reemplazo del filtro: la luz para Reemplazar filtro en el panel de control se enciende y parpadea para indicar que debe cambiar el filtro. Reemplace el filtro según las instrucciones de la (página S-7) y enseguida presione y sostenga el botón **Modo UV** durante 3 segundos para restablecer el sistema.

Indicador de reemplazo del foco UV: la luz circular azul en el panel frontal del purificador parpadeará cuando sea el momento de reemplazar el foco. Reemplace el foco según las instrucciones de la (página S-8) y enseguida presione y sostenga el botón **Modo UV** durante 3 segundos para restablecer el sistema.

FUNCIONAMIENTO DEL PURIFICADOR DE AIRE (SERIE AC5350):



1. Encienda la unidad.



2. Seleccione la velocidad del ventilador, MODO 1 a 5
1 = modo bajo, ultra silencioso mientras usted duerme
5 = ajustes de alta velocidad para el control de los alérgenos - El ajuste predeterminado es 5



3. Active o desactive la luz UV-C con el botón Modo UV-C.



4. **TEMPORIZADOR:** si prefiere dejar funcionando el purificador durante varias horas, en la pantalla puede elegir de 1 a 8 horas.

Indicador de reemplazo del filtro: la luz para Reemplazar filtro en el panel de control se enciende y parpadea para indicar que debe cambiar el filtro. Reemplace el filtro según las instrucciones de la (página S-7) y enseguida presione y sostenga el botón **TEMPORIZADOR** durante 3 segundos para restablecer el sistema.

Indicador de reemplazo del foco UV: la luz circular azul en el panel frontal del purificador parpadeará cuando sea el momento de reemplazar el foco. Reemplace el foco según las instrucciones de la (página S-8) y enseguida presione y sostenga el botón **Modo UV-C** durante 3 segundos para restablecer el sistema.

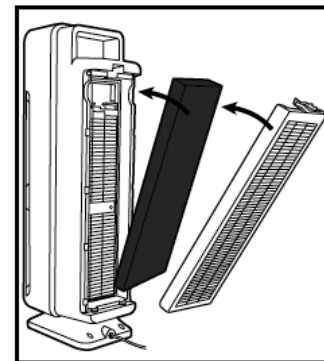
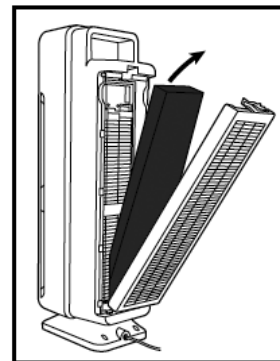
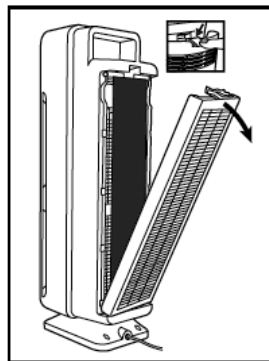
Panel de control Pitido/Sonido: El sonido que se emite al presionar los botones en el panel de control se puede encender o apagar sosteniendo el botón **Velocidad** durante 3 segundos.

REEMPLAZO DEL FILTRO



El purificador de aire emitirá un sonido durante 30 segundos y la luz de reemplazo del filtro destellará continuamente para indicar que es el momento de reemplazar el filtro. Reemplace el filtro según las instrucciones y enseguida inserta la punta de un bolígrafo en el área restablecer filtro en el panel de control para volver a encender el sistema. Dependiendo del uso del aparato, el filtro puede durar 6 meses aproximadamente.

1. Apague y desenchufe la unidad.



2. Appuyez sur le bouton de verrouillage/déverrouillage et retirez le couvercle à l'arrière de l'appareil.

3. Retire el Filtro combinado utilizado (Filtro B) y tírelo a la basura.

5. Vuelva a colocar la cubierta de la unidad y asegúrela en su sitio.

NETTOYAGE ET ENTRETIEN DE LA COMBINAISON DE FILTRES

Mantenga el filtro revisándolo frecuentemente.

Según las condiciones de la calidad del aire, podría necesitar reemplazarlo más frecuentemente.

Aspire la capa del filtro de carbón tan seguido como sea necesario para retirar los escombros sueltos y el polvo, y para ayudar a prolongar la vida de su filtro. (Consulte la pag. E5 para ver las capas del filtro).

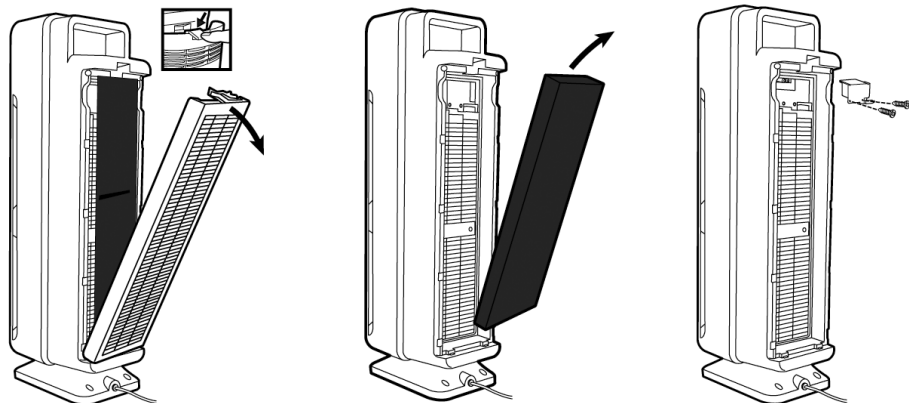
Para revisar el estado del filtro, retire la capa de carbón para exponer el filtro plisado. Si el filtro ya no es de color blanco y está cubierto con polvo gris o suciedad, debe reemplazarlo.

Important : ne lavez PAS et ne réutilisez PAS la combinaison de filtres.

IMPORTANTE: Para mantener la garantía y el desempeño del purificador de aire, utilice únicamente piezas de repuesto GENUINAS de Guardian Technologies.

INSTALACIÓN Y RETIRO EL FOCO UV-C

Indicador de reemplazo del foco UV: la luz circular azul en el panel frontal del purificador parpadeará cuando sea el momento de reemplazar el foco.

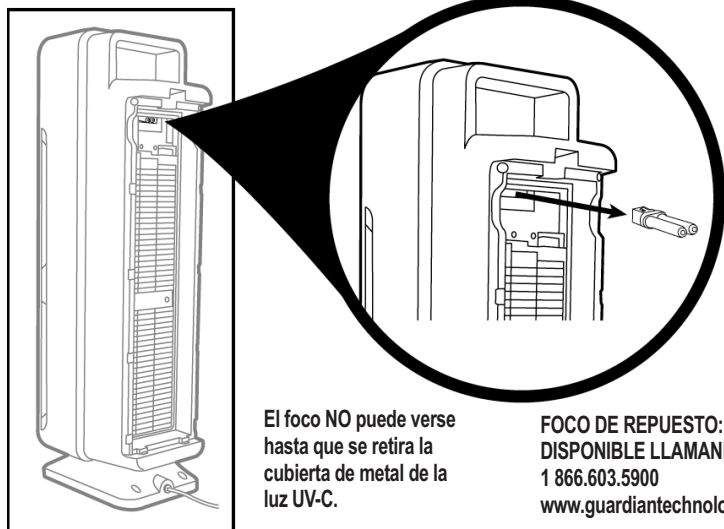


1. Apague y desenchufe la unidad. Presione el seguro y libere el botón para retirar la cubierta posterior de la unidad.

2. Saque el filtro combinado de la unidad.

3. Después de quitar el filtro combinado, utilice un destornillador Phillips para retirar los dos tornillos y quitar la cubierta de metal de la luz UV-C.

4. El foco UV-C se retira tomándolo cuidadosamente con un paño limpio o pañuelo desechable y tirando del mismo para sacarlo de la unidad.



El foco **NO** puede verse hasta que se retira la cubierta de metal de la luz UV-C.

**FOCO DE REPUESTO: LB4000
DISPONIBLE LLAMANDO AL
1 866.603.5900
www.guardiantechnologies.com**

5. El foco UV-C se vuelve a instalar deslizando de manera horizontal para insertarlo en las ranuras que se encuentran en la parte superior de la unidad.

NOTA: NO introduzca ningún objeto extraño ni sus dedos de la unidad.

PRECAUCIÓN: NO utilice gasolina, bencina, solvente, limpiadores agresivos, etc. para limpiar el interior y el exterior de la unidad, ya que podrían dañar el aparato. **NUNCA** utilice alcohol ni otro tipo de solventes.

GUÍA DE SOLUCIÓN DE PROBLEMAS

PROBLEMAS	SOLUCIÓN
La unidad no funciona.	Verifique que la unidad esté conectada. Verifique que el filtro esté en su lugar. Confirme que el filtro sea un reemplazo genuino para el filtro. Llame al departamento de servicio al cliente.
La unidad se apaga de forma imprevista.	Verifique que la unidad esté conectada en un tomacorriente que funcione perfectamente. Verifique que el filtro esté asegurado en su sitio. Verifique que la cubierta posterior esté asegurada firmemente en su sitio. Llame al departamento de servicio al cliente.
La unidad no hace circular aire.	Desconecte la unidad. Revise el prefiltro/filtro de carbón y el filtro. Limpie el prefiltro/filtro de carbón si es necesario. Reemplace el filtro si es necesario.
Incremento del nivel de ruido.	Cerciórese que los filtros estén limpios. Reemplácelos si es necesario.
Los botones de control emiten un sonido cuando se oprimen. (Serie AC5350)	Para apagar el sonido cuando se oprimen los botones: 1. Oprima y mantenga oprimidos los botones TEMPORIZADOR Y UV durante 3 segundos. 2. Seleccione ENCENDIDO/APAGADO. El sonido se restablecerá automáticamente a ENCENDIDO cuando la unidad está desconectada.
La luz indicadora de corriente está roja y destellando.	Reemplace el filtro y restablezca el sistema.
La luz azul UV-C está destellando.	Reemplace el foco y restablezca el sistema.

¿Qué significa CADR?

CADR es la sigla en inglés de Clean Air Delivery Rate, e indica el volumen de aire filtrado por un purificador de aire. Las clasificaciones CADR muestran la efectividad del purificador de aire para atrapar las partículas finas del humo del tabaco y pólenes en la habitación, entre otras.

Promedio de emisión de aire puro

Compare los números CADR entre un purificador de aire y otro. Mire primero el tamaño de la habitación para la cual se recomienda. Enseguida, consulte los números del promedio de emisión de aire puro (CADR). Mientras más elevado sea el número, más rápidamente se filtra el aire.

Consulte el sitio web para los números CADR modelo individuales.