

## Professional Pet Force Dryer Owner's Manual

Secador profesional de fuerza para mascotas manual de usuario

Séchoir professionnel puissant d'animaux manuel d'emploi

**Model/Modelo/Modèle:**

**B-4, B-24, B-25, B-27**

(115V 60HZ)

Read and save these instructions

Lea y guarde estas instrucciones

Lisez et épargnez ces instructions



**Intertek**

[www.xpower.com](http://www.xpower.com) | 1-(855)-855-8868 | [info@xpower.com](mailto:info@xpower.com)

Index: NA-1-14  
Edition: 1.4.Alpha

# Safety Instructions

## **WARNING: READ AND SAVE THESE INSTRUCTIONS BEFORE USING THIS PRODUCT.**

When using electrical appliances, especially when children or animals are present, basic safety precautions should always be followed to reduce the risk of fire, electric shock, and personal injury, including, but not limited to the following:

- **DO NOT** use attachments not intended for use with the dryer. Only use attachments recommended or sold by the manufacturer.
- **DO NOT** attempt to perform any service or maintenance not outlined in instruction manual.
- **WARNING:** To reduce the risk of electric shock – Use indoors only. **DO NOT** use outdoors.
- **WARNING:** This Pet Dryer is not intended for use by children. Adult assembly and operation required. To reduce the risk of injury, close supervision is necessary when an appliance is used near children.
- **DO NOT** use as a toy.
- **DO NOT** leave appliance when plugged in. Unplug from outlet when not in use and before servicing.
- **DO NOT** use extension cords with dryer.
- **DO NOT** unplug unit by pulling on cord, to unplug, grasp the plug, not the cord.
- **WARNING:** Never use dryer with a damaged cord or plug, or after the appliance malfunctions or is dropped, damaged. Return to an authorized service center for service, examination, repair, or electrical or mechanical adjustment.
- To disconnect, turn all controls to the off (“O”) position, then remove plug from outlet.
- **DO NOT** pull or carry by cord, use cord as a handle, close a door on cord, or pull cord around sharp edges or corners. **DO NOT** run appliance over cord. Keep cord away from heated surfaces.
- **DO NOT** handle plug or appliance with wet hands.
- Use extra care when cleaning on stairs.
- **DANGER: DO NOT** expose dryer to rain or water.
- **DO NOT** use or store dryer where it can fall or be pulled into tub or sink or standing water. If dryer falls into water, unplug it, **DO NOT** reach into the water. Keep units out of baths and **DO NOT** operate on a wet floor, or wet surface.
- **DO NOT** use to pick up flammable or combustible liquids, such as gasoline, or use in areas where they may be present. **DO NOT** pick up anything that is burning or smoking, such as cigarettes, matches, or hot ashes.
- Unplug before connecting nozzles and hose.
- **WARNING: DO NOT** put any object into dryer openings. Keep loose clothing, jewelry and hair away from dryer openings. **DO NOT** use with any opening blocked; keep free of dust, lint, hair, and anything that may reduce air flow.

## Safety Instructions (Continued)

- **WARNING: DO NOT** allow any material to clog or block air intakes as this may cause units to overheat and result in a fire or electrical hazard. Regularly clear hair or other substances from air intakes. **DO NOT** contact moving parts.
- Connect to a properly grounded outlet only. See Grounding Instructions.

### HOUSEHOLD AND COMMERCIAL USE

#### Grounding Instructions

This appliance must be grounded. In the event of malfunction or breakdown, grounding provides a path of least resistance for electric current to reduce the risk of electric shock. This appliance is equipped with a cord having an equipment-grounding conductor and a grounding plug. The plug must be plugged into an appropriate outlet that is properly installed and grounded in accordance with all local codes and ordinances.

A qualified electrician should be consulted if there is any doubt as to whether an outlet box is properly grounded.

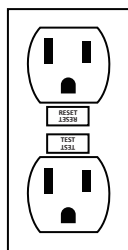
**DANGER:** Improper connection of the equipment-grounding conductor can result in a risk of electric shock. The conductor with insulation having an outer surface that is green with or without yellow stripes is the equipment-grounding conductor. If repair or replacement of the cord or plug is necessary, do not connect the equipment-grounding conductor to a live terminal. Check with a qualified electrician or serviceman if the grounding instructions are not completely understood, or if in doubt as to whether the appliance is properly grounded. Do not modify the plug provided with the appliance – if it will not fit the outlet, have a proper outlet installed by a qualified electrician.

This appliance is for use on a nominal 115V circuit (NEMA 5-15R or NEMA 5-20R), and has a grounding plug (NEMA 5-15P or NEMA 5-20P) as illustrated below. Make sure that the appliance is connected to an outlet having the same configuration as the plug. No adapter should be used with this appliance.

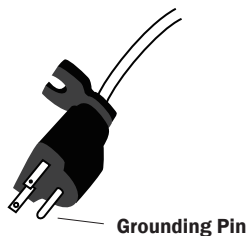
(For Model B-27) This appliance is rated more than 15A and is for use on a circuit having a nominal rating of 120V, and is factory equipped with a specific electric cord and plug. No adapter should be used with this appliance. If the appliance must be reconnected for use on a different type of electric circuit, the reconnection should be made by qualified service personnel; and after the reconnection, the appliance should comply with all local codes and ordinances.

# Safety Instructions (Continued)

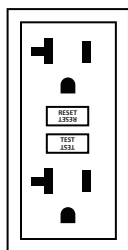
## Grounding Instructions (Continued)



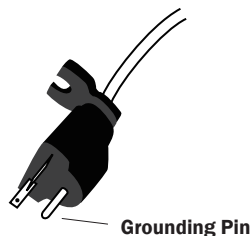
**NEMA 5-15R**



**NEMA 5-15P**



**NEMA 5-20R**



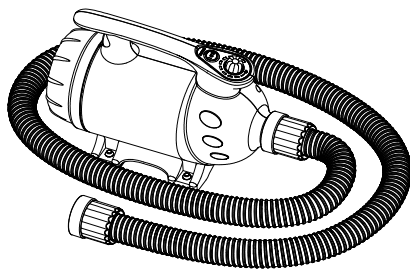
**NEMA 5-20P**

- **NEMA 5-15R:** For model B-4, B-24, B-25.

- **NEMA 5-20R:** For model B-27, compatible with model B-4, B-24, B-25.

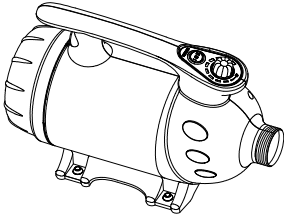
## Professional Pet Force Dryer Introduction

- The XPOWER Professional Pet Force Dryer produces high velocity airflow with adjustable volume for fast water removal in pet grooming.
- It's ideal for force drying in the tub. With natural motor heat or additional heat options, and the variable speed control, it can also complete finish drying jobs on the table.

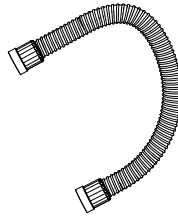




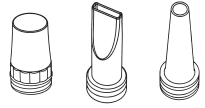
# Items Included



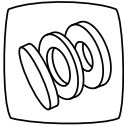
• Pet Dryer x 1



• Hose x 1



• Nozzles x 3

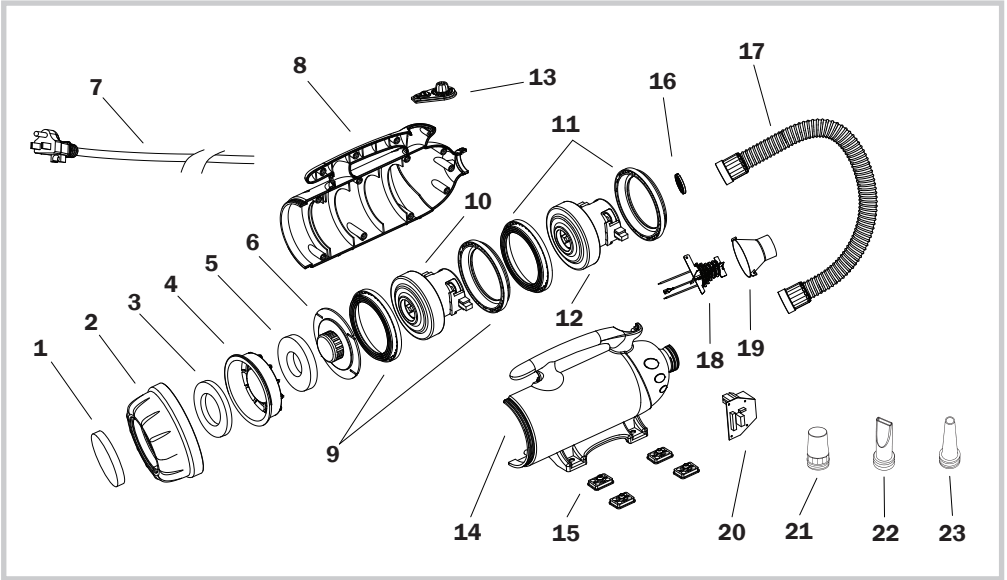


• Extra Filter Set x 1



• Owner's Manual x 1

# Parts Description



- |                     |                          |                               |
|---------------------|--------------------------|-------------------------------|
| (1) Inlet Filter    | (9) Motor Sleeves        | (17) Hose                     |
| (2) Rear Cover      | (10) Motor               | (18) Heating Element**        |
| (3) Case Filter     | (11) Motor Sleeves*      | (19) Heating Element Tunnel** |
| (4) Dust Case       | (12) Motor*              | (20) PCB Board                |
| (5) Motor Filter    | (13) Switch Plate        | (21) Round Nozzle             |
| (6) Dustproof Cover | (14) Left Housing        | (22) Flat Nozzle              |
| (7) Power Cord      | (15) Rubber Feet         | (23) Cone Nozzle              |
| (8) Right Housing   | (16) Outlet Grille Cover |                               |

\* For model B-25 and B-27 only.

\*\* For model B-24 only.

# Installation and Operation Guide

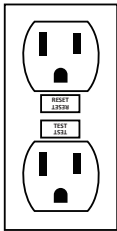
## Power Supply

### Amperage Rating

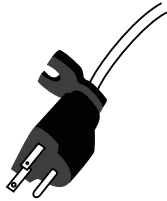
This appliance consumes high amperage electricity from 10 A to 19 A (See Page 14: *Technical Specifications*). You should also check if the power circuit of your building can support the total power consumption of all the devices including this appliance.

### Power Outlets Selection

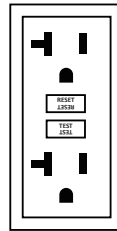
Make sure you have a power socket with a compatible amperage rating and fuse setting.



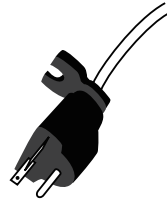
NEMA 5-15R



NEMA 5-15P



NEMA 5-20R

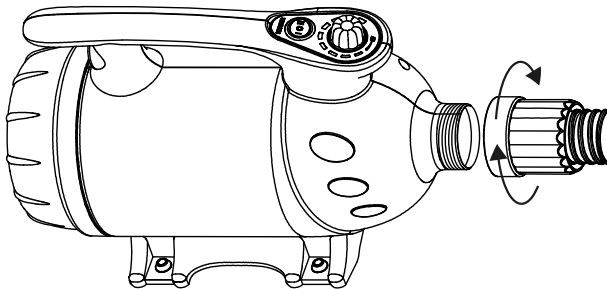


NEMA 5-20P

- **NEMA 5-15R:** For model B-4, B-24, B-25.

- **NEMA 5-20R:** For model B-27, compatible with model B-4, B-24, B-25.

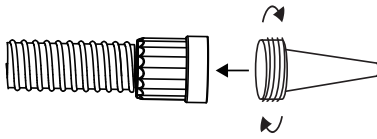
## Hose Installation



- Screw the hose into the air outlet of the dryer. Fasten the connection.

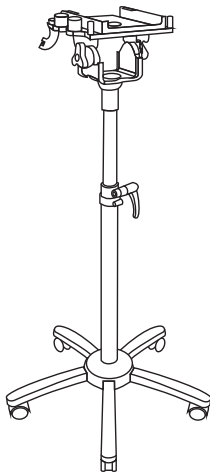
# Installation and Operation Guide (Continued)

## Nozzle Installation

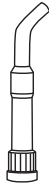


- Screw the desired nozzle in nozzle adapter to the end.

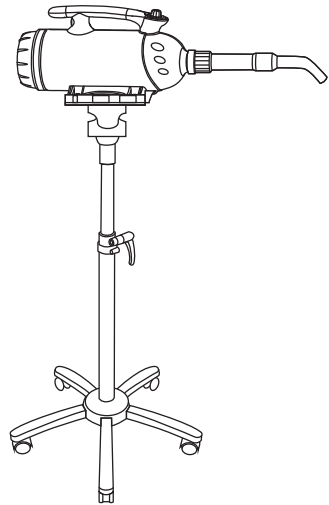
## Extension Setup



**Stand Mount Kit  
(B-SMK-3)**



**Stand  
Conversion Arm  
(B-SCA)**



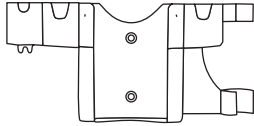
## Stand Conversion

- You can equip the Pet Dryer to Stand Mount Kit and a Stand Conversion ARM for convenient hands-free use.

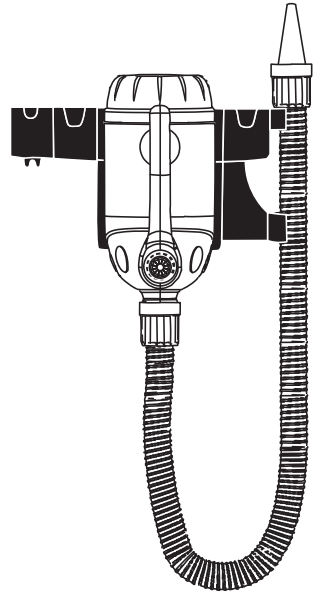
\* The Stand Mount Kit (B-SMK-3) and Stand Conversion Arm (B-SCA) are sold separately.

# Installation and Operation Guide (Continued)

## Extension Setup (Continued)



Wall Mount Kit\*  
(B-WMK-2)

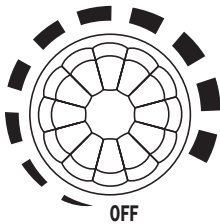


### Wall Mounted

- You can mount the Pet Dryer to the wall with a Wall Mount Kit for space-saving and convenient use.

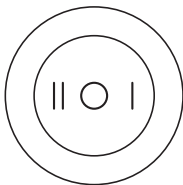
\* The Wall Mount Kit (B-WMK-2) is sold separately.

## Switch Plate



### Speed Switch

- Turn to **“OFF”** position to switch the Pet Dryer off. Turn to any speed position to switch the Pet Dryer ON.
- Turn clockwise to set the desired speed.



### Heater Switch

- Switch to **“O”** setting to turn the heating element OFF.
- Switch to other settings to turn the heating element on. **“I”/“II”** means the lower/higher heat setting.

# Installation and Operation Guide (Continued)

## Start Your Job

### Before Turning on the Pet Dryer:

Please hold the hose tightly and point the nozzle outlet to a safe area.

### Force Drying Stage

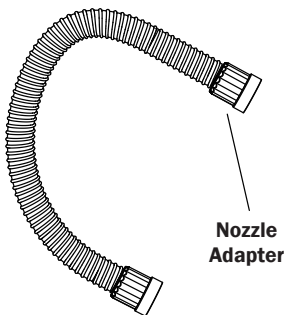
- In this stage, pets have been bathed and are saturated with heavy water. High-pressure airflow can remove the heavy water efficiently.
- You can achieve high-pressure air by installing the cone nozzle or flat nozzle and dry at the highest speed setting of the machine.

### Table/Finish Stage

- In this stage, most of the heavy water on the pets have been removed in the force drying stage, but there is still some moisture. Heated-temperature and high-volume soft airflow can help to vaporize the rest of the moisture or to fluff and style.
- For model B-24, you can achieve high temperature airflow by using the heating element. For other models, turn to the highest speed setting for around 10 minutes for motor-heated airflow.
- To achieve high-volume soft airflow, switch to round nozzle and reduce the speed of the machine.

### Nozzle Selections

- The cone nozzle is used for the force drying stage when the concentrated airflow with high pressure is needed.
- The flat nozzle is used for long coated (such as silky coat and natural long hair) pets to prevent knotting in the drying process.
- The round nozzle allows higher volume and softer airflow with less noise for smaller pets, sensitive areas or finishing and styling drying process.



### Tips

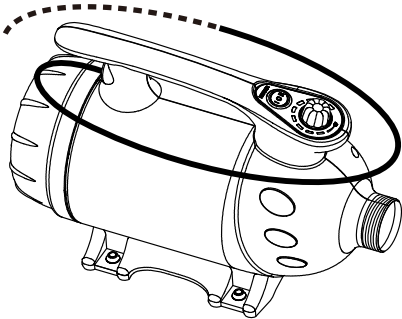
- For pets that are sensitive to noise, try to start with the lowest speed setting and round nozzle. Then apply desired speed and other nozzles gradually.
- Hold the nozzle adapter to avoid the hot areas of the hose.

# User Maintenance and Servicing Instructions

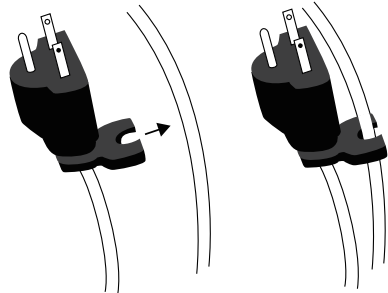
Frequent maintenance is recommended on this appliance. Failure to follow the maintenance instructions may cause failure of the appliance and void the warranty.

- When not in use, unplug and store the appliance in a dry and cool indoor place. Make sure it's out of reach of children.
- Before performing any maintenance or cleaning, always disconnect the Pet Dryer from its power source.
- Use a damp cloth to wipe the surface of the housing. Do not clean the unit with water directly.
- Check if the grille covers are clean. Remove dirt or any other objects that could block the air inlet and air outlet.

## Organize the Cord



- Wrap the power cord around the handle on top of the housing for storage after use.



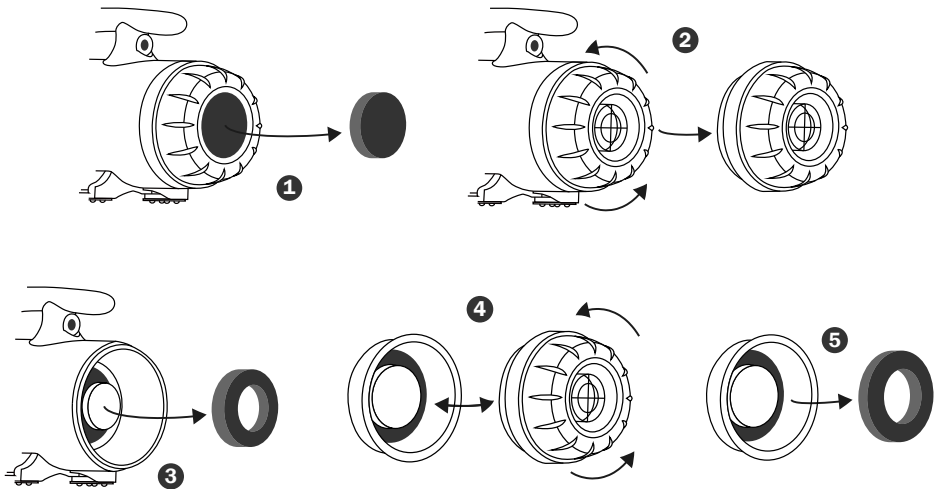
- Use convenient clip at end of cord to secure in place.

## Nozzle Maintenance

- Check if the nozzles are clean. Remove dirt or any other objects that could block the nozzle.
- Store the nozzle in a sealed container and put the container in a dry and cool indoor place. Make sure it's out of reach of children.

# User Maintenance and Servicing Instructions (Continued)

## Filter Maintenance



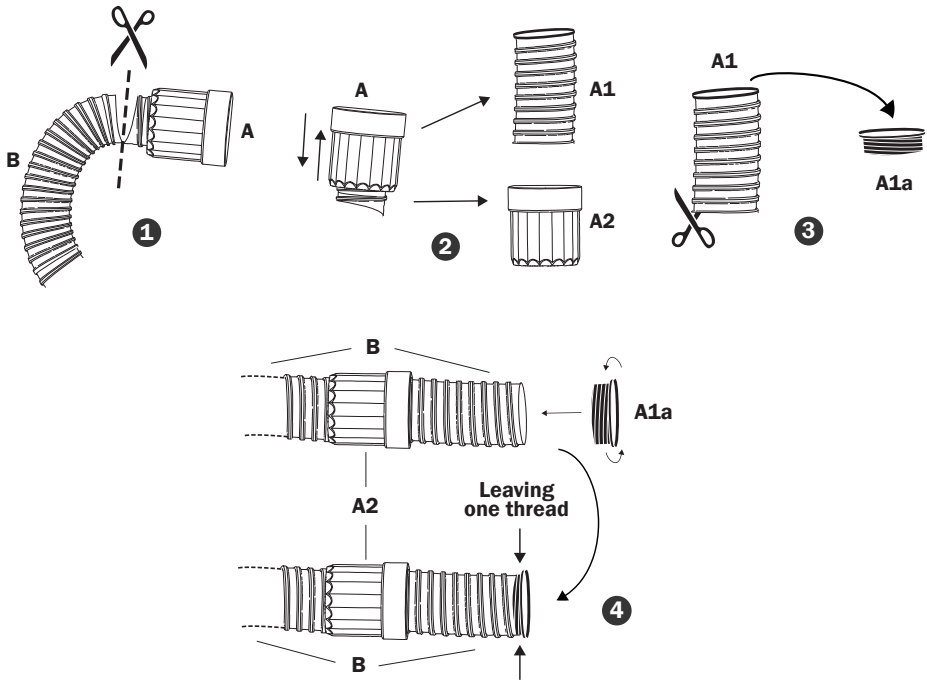
Three filters are on rear (intake) of the machine. To ensure the best performance, you should clean or replace the filters frequently. (See Also Page 5: *Parts Description*). Follow the below instructions to take out the filters:

- ① Take out the intake filter right from the end of the Pet Dryer.
- ② Screw off the rear cover.
- ③ Take out the motor filter from the machine.
- ④ Screw off the dust proof cover from the rear cover.
- ⑤ Take out the case filter from the dust case.



# User Maintenance and Servicing Instructions (Continued)

## Hose Maintenance



Always keep the hose away from chemicals, sunlight, ultraviolet ray, extreme temperature and sharp edges.

If your hose breaks, it could be fixed by the following methods:

- ① Cut out the broken hose into two ends, A and B.
- ② Take out A1 from A2.
- ③ Open A1 with scissors, and get A1a.
- ④ Insert B into A2. Screw A1a onto B, leaving one thread of space.

# Troubleshooting Guide

| PROBLEM                                     | POSSIBLE CAUSE  | SOLUTION  |
|---|---|---|
| Pet Dryer does not start                    | No electricity.   | Check for power supply.   |
|   | The power cord is not properly plugged in.                              | Remove and reconnect the power cord.  |
|   | The circuit breaker of the power socket or power circuit jumps.         | Disconnect the Pet Dryer to the power socket. Reset the circuit breaker and reconnect.                                  |
|   | The thermal switch is triggered.  | Turn off and unplug the machine. Clean or replace the filters. Plug and use again after the machine totally cools down. |
| Unit runs but the speed / noise is abnormal | Air inlet or air outlet is blocked.                                     | Remove blockage, clean or replace the filters.  |
|   | Carbon brushes of the motor are worn out.                               | Contact XPOWER for more assistance.   |
|   | Leakage on the hose.  | Try to fix the leakage or replace the hose. (See Page 12: Hose Maintenance)   |
| Unit runs but the machine gets very hot     | The motor produces heat and heats up the machine after a long time use. | Turn off the machine. Use again after the machine totally cools down.   |

If troubleshooting does not resolve your problem, please contact XPOWER or other parties authorized by XPOWER for further instructions.

# Technical Specification

| MODEL NUMBER                      | B-4   | B-24  | B-25  | B-27                  |
|-----------------------------------|---|---|---|-----------------------|
| Voltage/<br>Frequency             | 115 V~60 Hz   |   |   |                       |
| Amperage                          | 10.0 A  | 12.0 A  | 12.0 A  | 19.0 A                |
| Motor Power                       | 3 HP  | 3 HP  | 4 HP  | 6 HP                  |
| Rated Airflow                     | 150 CFM   | 150 CFM   | 160 CFM   | 180 CFM               |
| Speed Control                     | Variable Speed                                      |   |   |                       |
| Heating Element                   | N/A   | 2 Settings  | N/A   | N/A                   |
| Hose Length                       | 8 ft. / 2.4 m                                       |   |   |                       |
| Cord Length                       | 10 ft. / 3 m  |   |   |                       |
| Housing                           | ABS   |   |   | ABS+PC                |
| Unit Dimension<br>(L) x (W) x (H) | 14.0 x 6.5 x<br>9.5 in. / 36.0<br>17.0 x 24.0<br>cm | 14.0 x 6.3 x<br>9.2 in. / 35.5<br>x 16.0 x 23.4<br>cm | 17.7 x 6.3 x 9.3 in. / 45.0 x<br>16.0 x 23.5 cm |                       |
| Unit Weight                       | 10.8 lbs. /<br>4.9 kg                               | 8.8 lbs. /<br>4.0 kg                                  | 12.3 lbs. /<br>5.6 kg                           | 13.0 lbs. /<br>5.9 kg |
| Safety<br>Certification           | ETL/C-ETL   |   |   | N/A                   |

If your product(s) is not listed above, please visit [www.xpower.com](http://www.xpower.com) for more information.

# XPOWER Limited Warranty (USA)

## 1 YEAR LIMITED WARRANTY

XPOWER-branded products purchased in the U.S. from authorized distributors include a 1-year limited warranty. Contact XPOWER to confirm warranty information about your product(s).

This limited warranty covers defects in materials and workmanship in your XPOWER-branded products, purchased in the **U.S. ONLY**. Local warranty policy (if any) in your country will cover products purchased outside the U.S.

### **IMPORTANT:**

- (1) Please finish the online warranty registration before usage. Visit [www.xpower.com/service-support/warranty-registration](http://www.xpower.com/service-support/warranty-registration).
- (2) This Limited Warranty applies with its own timeliness. Contact XPOWER or visit [www.xpower.com](http://www.xpower.com) for more information.

### **Items mentioned but not limited to below are not covered by warranty:**

- (1) Power cord, filters or any other components considered as a “consumable parts” by XPOWER.
- (2) Normal wear and tear.
- (3) Problems that result, directly or indirectly, at XPOWER’s sole discretion, from:
  - (3.1) External causes such as accident, abuse, misuse or problems with electrical power supply.
  - (3.2) Disassembling, servicing or modification not authorized by XPOWER.
  - (3.3) Usage that is not accordant with product instructions stated in Owner’s Manual.
  - (3.4) Failure to follow the product instructions or lack of necessary maintenance stated in Owner’s Manual.

### **Before contacting XPOWER, please try one or more of the following:**

- (1) Consult this Owner’s Manual and follow the instructions of troubleshooting guide.
- (2) Access [www.xpower.com](http://www.xpower.com) for more advice and information that could be helpful to address your problems.

### **If you need additional assistance from XPOWER, please:**

- (1) Email [info@xpower.com](mailto:info@xpower.com).
- (2) Call XPOWER U.S. Customer Service Department at **855-855-8868** or other numbers provided on [www.xpower.com](http://www.xpower.com).
- (3) Visit XPOWER U.S. Head Office at [240 Clary Ave., San Gabriel, CA 91776](http://www.xpower.com) or the most current address provided on [www.xpower.com](http://www.xpower.com).

Please also have your original proof of purchase and the serial number(s) of your product(s) ready when you contact XPOWER.

## XPOWER Limited Warranty (USA) (Continued)

**If you are instructed to return the unit for service or replacement, please:**

- (1) Request a RMA (Return-Merchandise-Authorization) number.
- (2) Use the original or an equivalent packaging, prepay shipping charges at your own expense to the address provided by XPOWER, with the RMA number on the shipping label or the packaging.
- (3) Include all the original parts and components.

XPOWER will inspect, assess and advise the repairs needed and applicable cost, if any. For products under warranty, we will pay to ship the repaired or replaced product(s) to you if you use an address within the Contiguous United States. Otherwise, we will ship the product(s) to you at your own expense.

# Instrucciones de seguridad

## **ADVERTENCIA: LEA Y GUARDE ESTE MANUAL ANTES DE USAR ESTE PRODUCTO.**

Al usar aparatos eléctricos, especialmente cuando hay niños o animales, siempre se deben tomar precauciones de seguridad básicas para reducir el riesgo de incendio, descarga eléctrica y lesiones personales, que incluyen, entre otros, los siguientes:

- **NO** use accesorios que no sean para uso con la secador. Solo use accesorios recomendados o vendidos por el fabricante.
- **NO** intente realizar ningún servicio o mantenimiento que no esté delineado en el manual de instrucciones.
- **ADVERTENCIA:** Para reducir el riesgo de descarga eléctrica: Úselo solo en interiores. **NO** lo use al aire libre.
- **ADVERTENCIA:** esta secador de mascota no está diseñada para ser utilizada por niños. Se requiere ensamblaje y operación para adultos. Para reducir el riesgo de lesiones, es necesaria una supervisión cuidadosa cuando se usa un electrodoméstico cerca de niños.
- **NO** lo use como un juguete.
- **NO** abandone el aparato cuando esté enchufado. Desenchúfelo del tomacorriente cuando no esté en uso y antes de repararlo.
- **NO** use cables de extensiones con este aparato.
- **NO** desenchufe la unidad tirando del cable, para desenchufar, sujete el enchufe, no el cable.
- **ADVERTENCIA:** Nunca use la secador con un cable o enchufe dañado, o después de que el artefacto funcione mal o se caiga, o se dañe de cualquier manera. Regrese a un centro de servicio autorizado para el servicio, el examen, la reparación o el ajuste eléctrico o mecánico.
- Para desconectar, coloque todos los controles en la posición de apagado (“0”), luego retire el enchufe de la toma de corriente.
- **NO** tire o cargue con el cable, use el cable como asa, cierre una puerta del cable o tire del cable alrededor de bordes o esquinas afiladas. **NO** haga funcionar el artefacto sobre el cable. Mantenga el cable alejado de superficies calientes.
- **NO** manipule el enchufe o el artefacto con las manos mojadas.
- Tenga especial cuidado cuando limpie las escaleras.
- **PELIGRO: NO** exponga la secador a la lluvia o al agua.
- **NO** use ni almacene la secador donde pueda caerse o ser arrastrada a la bañera o al fregadero o al agua estancada. Si la secador cae en el agua, desenchúfela. **NO** toque el agua. Mantenga las unidades fuera del baño y **NO** opere en un piso mojado o en una superficie mojada.
- **NO** lo use para recoger líquidos inflamables o combustibles, como la gasolina, ni lo use en áreas donde puedan estar presentes. **NO** recoja nada que esté ardiendo o fumando, como cigarrillos, fósforos o cenizas calientes.
- Desenchufe antes de conectar las boquillas y la manguera.

# Instrucciones de seguridad (Continuación)

- **ADVERTENCIA: NO** coloque ningún objeto en las aberturas. Mantenga la ropa suelta, joyas y cabello lejos de las aberturas de la secador. **NO** lo use con ninguna abertura bloqueada; manténgalo libre de polvo, pelusa, cabello y cualquier cosa que pueda reducir el flujo de aire.

## Hogar y uso comercial

### Instrucciones de puesta a tierra

Este aparato debe estar conectado a tierra. En caso de mal funcionamiento o avería, la puesta a tierra proporciona una ruta de menor resistencia para la corriente eléctrica para reducir el riesgo de descarga eléctrica. Este aparato está equipado con un cable que tiene un conductor de conexión a tierra del equipo y un enchufe de conexión a tierra. El enchufe debe estar enchufado a un tomacorriente apropiado que esté correctamente instalado y conectado a tierra de acuerdo con todos los códigos y ordenanzas locales.

Se debe consultar a un electricista calificado si existe alguna duda sobre si una caja de distribución está correctamente conectada a tierra.

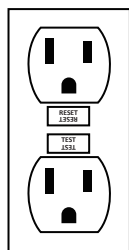
**PELIGRO:** La puesta incorrecta del conductor de puesta a tierra del equipo puede provocar un riesgo de descarga eléctrica. El conductor con aislamiento que tiene una superficie exterior que es verde con o sin rayas amarillas es el conductor de puesta a tierra del equipo. Si es necesario reparar o reemplazar el cable o el enchufe, no conecte el conductor de tierra del equipo a una terminal con corriente. Consulte con un electricista o técnico calificado si las instrucciones de puesta a tierra no se comprenden completamente, o si tiene dudas sobre si el electrodoméstico está conectado a tierra correctamente. No modifique el enchufe provisto con el aparato; si no encaja en el tomacorriente, haga que un electricista calificado instale un tomacorriente adecuado.

Este aparato se utiliza en un circuito nominal de 115V (NEMA 5-15R o NEMA 5-20R) y tiene un enchufe de puesta a tierra (NEMA 5-15P o NEMA 5-20P) como se ilustra a continuación. Asegúrese de que el electrodoméstico esté conectado a una toma de corriente que tenga la misma configuración que el enchufe. No se debe usar ningún adaptador con este dispositivo.

(Para Modelo B-27) Este aparato tiene una clasificación de más de 15 A y se utiliza en un circuito con una clasificación nominal de 120 V y viene equipado de fábrica con un cable eléctrico y un enchufe específicos. No se debe usar ningún adaptador con este dispositivo. Si el electrodoméstico debe ser reconectado para su uso en un tipo diferente de circuito eléctrico, la repuesta debe ser realizada por personal de servicio calificado; y después de la repuesta, el electrodoméstico debe cumplir con todos los códigos y ordenanzas locales.

# Instrucciones de seguridad (Continuación)

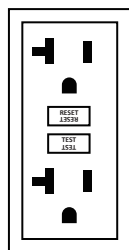
## Instrucciones de puesta a tierra (Continuación)



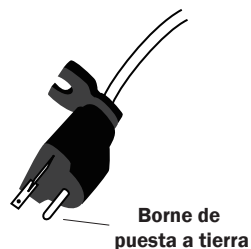
NEMA 5-15R



NEMA 5-15P



NEMA 5-20R



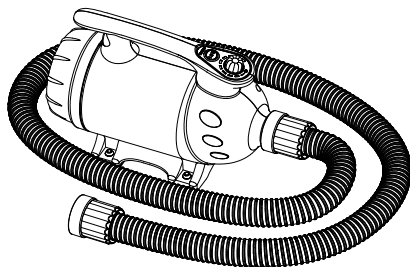
NEMA 5-20P

- **NEMA 5-15R:** Para el modelo B-4, B-24, B-25.

- **NEMA 5-20R:** Para el modelo B-27, compatible con modelo B-4, B-24, B-25.

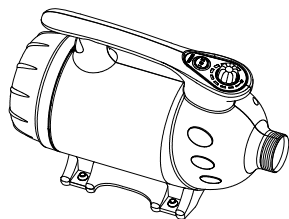
## Introducción de secador profesional de fuerza para mascotas

- La XPOWER Secador Profesional de Fuerza para mascotas produce un flujo de aire de alta velocidad con volumen ajustable para la eliminación rápida de agua en el aseo de mascotas.
- Es ideal para el secado forzado en la bañera. Con el calor natural del motor o las opciones de calor adicionales, y el control de velocidad variable, también puede completar los trabajos de secado de acabado en la mesa.

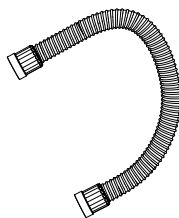




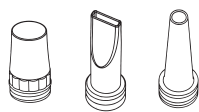
# Artículos incluidos



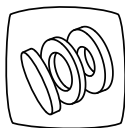
- Secador para mascotas x 1



- Manguera x 1



- Boquillas x 3

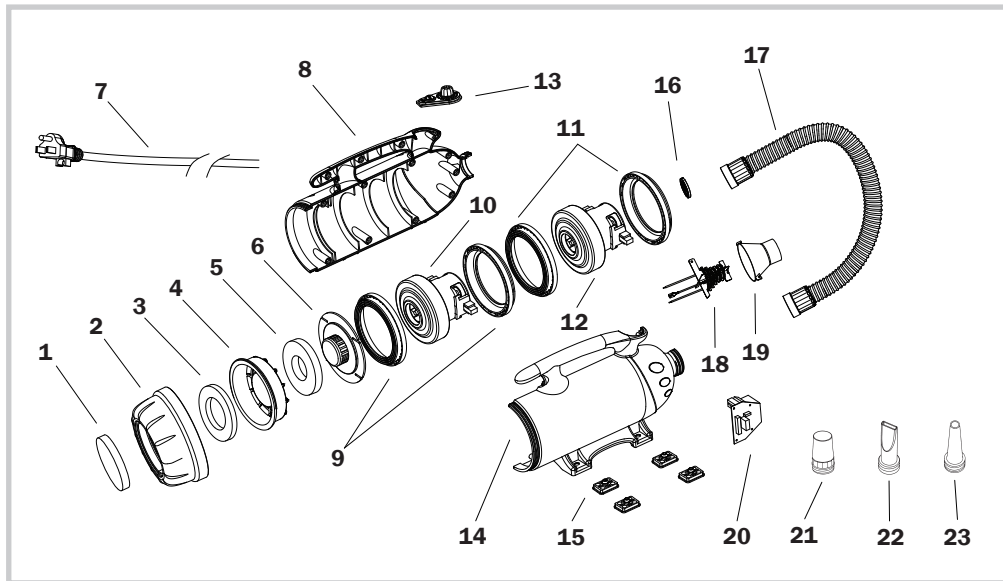


- Juego de filtros extra x 1



- Manual de usuario x 1

# Descripción de las piezas



- |                           |                                       |  |
|---------------------------|---------------------------------------|--|
| (1) Filtro de entrada     | (10) Motor                            | (18) Elemento de calefacción**           |
| (2) Cubierta trasera      | (11) Fundas de motor*                 | (19) Túnel del elemento de calefacción** |
| (3) Filtro de caja        | (12) Motor*                           | (20) Tablero PCB                         |
| (4) Caja de polvo         | (13) Placa de interruptor             | (21) Boquilla redonda                    |
| (5) Filtro de motor       | (14) Carcasa izquierda                | (22) Boquilla plana                      |
| (6) Cubierta anti-polvo   | (15) Pie de goma                      | (23) Boquilla cónica                     |
| (7) Cable de alimentación | (16) Cubierta de la rejilla de salida |  |
| (8) Carcasa derecha       | (17) Manguera                         |  |
| (9) Fundas de motor       |                                       |  |

\* Para el modelo B-25 y B-27 solamente.

\*\* Para el modelo B-24 solamente.

# Manual de instalaciones y operaciones

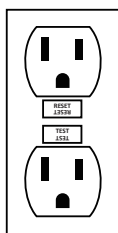
## Fuente de Alimentación

### Clasificación de Amperaje

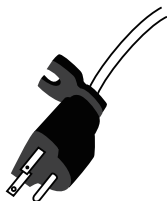
Este aparato consume una electricidad de alto amperaje de 10 A de 19 A (Ver página 14: Especificación Técnica). También debe verificar si el circuito de alimentación de su edificio puede soportar el consumo total de energía de todos los dispositivos, incluido este electrodoméstico.

### Selección de tomas de corriente

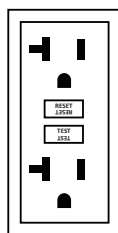
Asegúrese de tener una toma de corriente con una clasificación de amperaje compatible y configuración de fusibles.



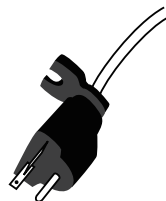
NEMA 5-15R



NEMA 5-15P



NEMA 5-20R

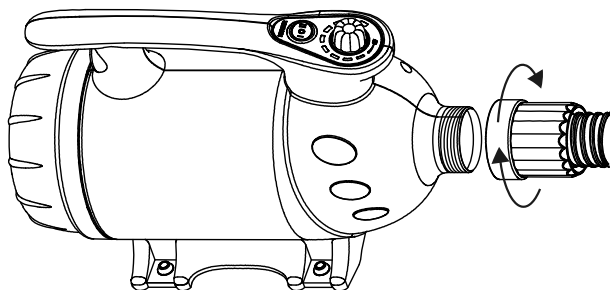


NEMA 5-20P

- **NEMA 5-15R:** Para el modelo B-4, B-24, B-25.

- **NEMA 5-20R:** Para modelo B-27, compatible con modelo B-4, B-24, B-25.

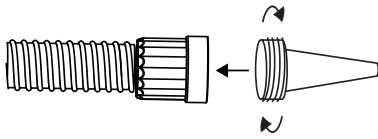
## Instalación de la manguera



- Atornille la manguera en la salida de aire de la secador. Apriete la puesta.

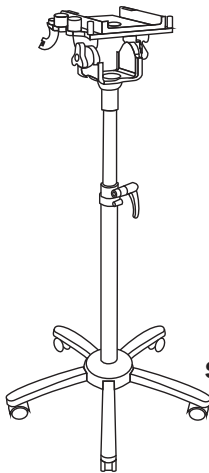
# Manual de instalaciones y operaciones (Continuación)

## Instalación de Boquilla



- Atornille la boquilla deseada en el adaptador de boquilla hasta el final.

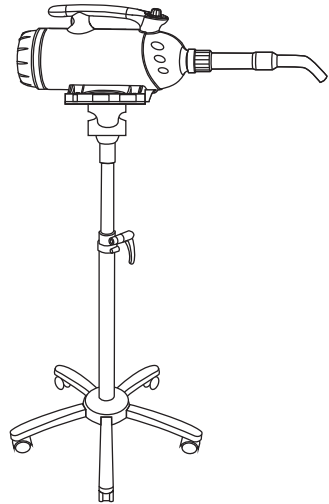
## Instalación de una extensión (Opcional)



**Soporte de Suelo  
(B-SMK-3)**



**Conducto para  
Conversión de  
Secador de Acabado  
(B-SCA)**

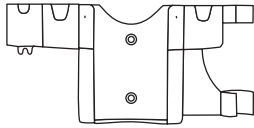


## Conversión de Secador de Acabado

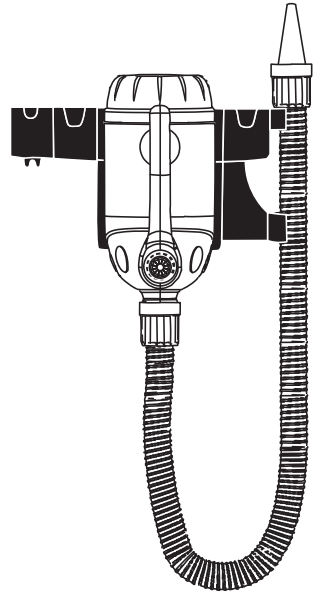
- Puede equipar la secador de mascota con el soporte de suelo y conducto para conversión de secador de acabado para un cómodo uso de manos libres.

\* El soporte de suelo (B-SMK-3) y conducto para conversión de secador de acabado (B-SCA) se venden por separado.

## Instalación de una extensión (Opcional) (Continuación)



Montaje en Pared\*  
(B-WMK-2)

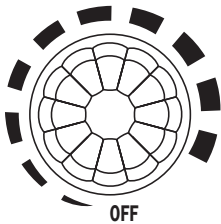


### Montado en la Pared

- Puede montar la secador de mascota en la pared con un montaje en pared para ahorrar espacio y un uso conveniente.

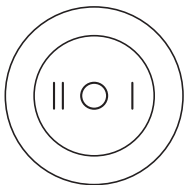
\* El montaje en pared (B-WMK-2) se vende por separado.

## Placa de interruptor



### Interruptor de Velocidad

- Gire a la posición **"OFF"** para apagar el soplador de mascotas. Gire a cualquier posición de velocidad para encender el soplador de mascotas.
- Gire en el sentido de las manecillas del reloj para ajustar la velocidad deseada.



### Interruptor del calentador

- Gire a la posición **"O"** para apagar el calentador.
- Gire a otras posiciones para encender el calentador. **"I"/"II"** es la velocidad más baja/alta.

# Manual de instalaciones y operaciones (Continuación)

## Comience su Trabajo

### Antes de Encender el Secador de Mascotas:

Por favor, sostenga el manguera con fuerza y señale un área segura.

### Etapa de Secado Forzado

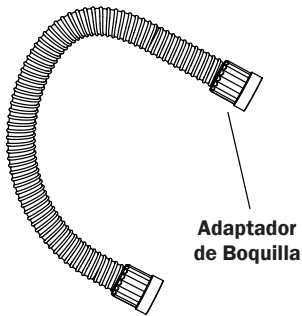
- En esta etapa, las mascotas se han bañado y están saturadas con agua pesada. El flujo de aire a alta presión puede eliminar el agua pesada de manera eficiente.
- Puede obtener aire a alta presión instalando la boquilla cónica o la boquilla plana y secar a la configuración de velocidad más alta de la máquina.

### Etapa de Mesa/Acabado

- En esta etapa, la mayoría del agua pesada en las mascotas se ha eliminado en la etapa de secado forzado, pero todavía hay algo de humedad. La temperatura ambiente y el flujo de aire suave de alto volumen pueden ayudar a vaporizar el resto de la humedad o a suavizar y moldear.
- Para el modelo B-24, puede lograr un flujo de aire a alta temperatura utilizando el elemento de calefacción. Para otros modelos, gire a la configuración de velocidad más alta durante alrededor de 10 minutos para el flujo de aire calentado por el motor.
- Para lograr un flujo de aire suave de gran volumen, cambie a una boquilla redonda y reduzca la velocidad de la máquina.

### Selecciones de Boquilla

- La boquilla cónica se usa para la etapa de secado forzado cuando se necesita un flujo de aire concentrado con alta presión.
- La boquilla plana se usa para mascotas con un largo recubrimiento (como la capa sedosa y el pelo largo natural) para evitar el anudamiento en el proceso de secado.
- La boquilla redonda permite un mayor volumen y un flujo de aire más suave con menos ruido para mascotas más pequeñas, áreas sensibles o procesos de acabado y secado de estilo.



### Consejos

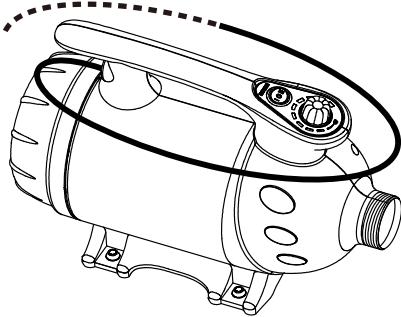
- Para mascotas que son sensibles al ruido, intente comenzar con la configuración de velocidad más baja y la boquilla redonda. A continuación, aplique la velocidad deseada y otras boquillas gradualmente.
- Sostenga el adaptador de boquilla para evitar las áreas calientes de la manguera.

## Instrucciones de mantenimiento del usuario

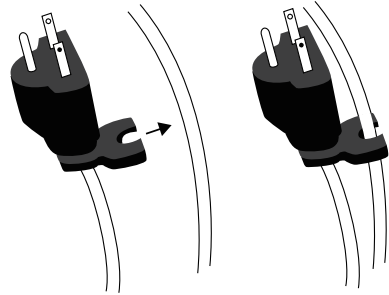
Se recomienda un mantenimiento frecuente en este aparato. El incumplimiento de las instrucciones de mantenimiento puede ocasionar una falla en el aparato e invalidar su garantía.

- Cuando no esté en uso, desenchúfelo y guárdelo en un lugar interior fresco y seco. Asegúrese de que esté fuera del alcance de los niños.
- Antes de realizar cualquier tarea de mantenimiento o limpieza, desconecte siempre el secador de mascotas de su fuente de alimentación.
- Utilice un paño húmedo para limpiar la superficie de la carcasa. No limpie la unidad directamente con agua.
- Compruebe si las cubiertas de la rejilla están limpias. Elimine la suciedad o cualquier otro objeto que pueda bloquear la entrada de aire y la salida de aire.

### Organización del cable



- Envuelva el cable de alimentación alrededor del mango en la parte superior de la carcasa para su almacenamiento después del uso.

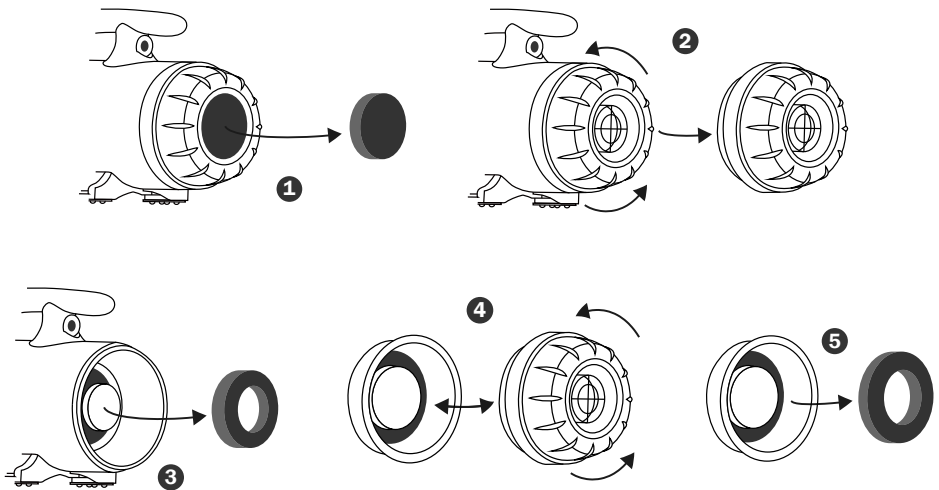


- Utilice el clip conveniente ubicado en el extremo del cable para asegurarlo en su lugar.

### Mantenimiento de accesorio de boquilla

- Compruebe si las boquillas están limpias. Elimine la suciedad o cualquier otro objeto que pueda bloquear la boquilla.
- Guarde la boquilla en un recipiente sellado y coloque el contenedor en un lugar interior seco y fresco. Asegúrese de que esté fuera del alcance de los niños.

## Mantenimiento del Filtro

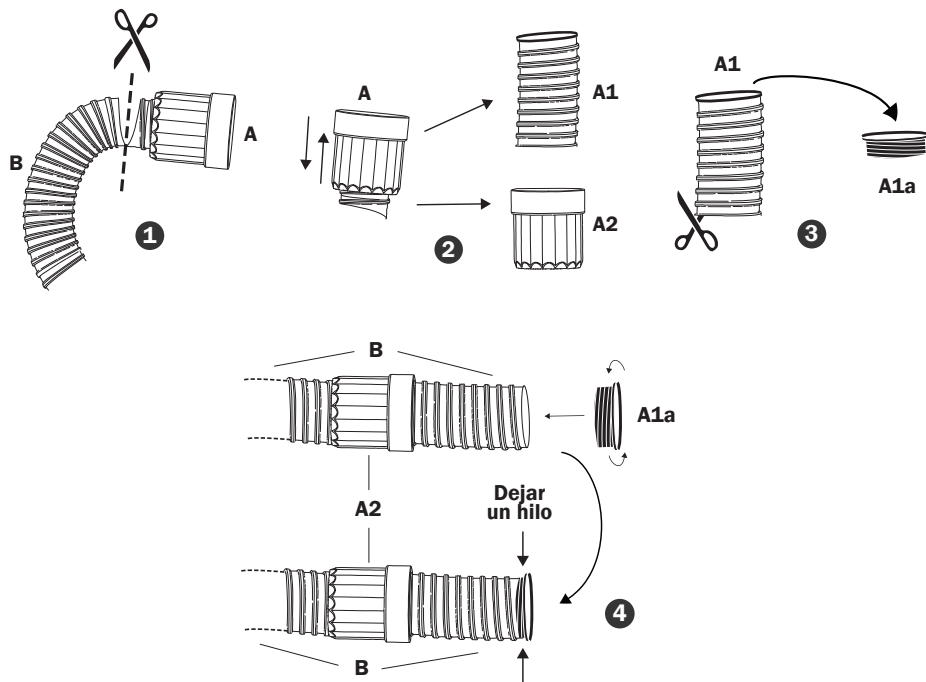


Tres filtros están en la parte posterior (entrada) de la máquina. Para garantizar el mejor rendimiento, debe limpiar o reemplazar los filtros con frecuencia. (Ver página 5: Descripción de las piezas). Siga las instrucciones a continuación para sacar los filtros:

- ① Saque el filtro de entrada desde el final de Secador de mascotas.
- ② Desatornille la cubierta trasera.
- ③ Sacar el filtro de motor de la ranura.
- ④ Desatornille la cubierta anti-polvo de la cubierta posterior.
- ⑤ Sacar el filtro de caja de la caja de polvo.



## Mantenimiento de manguera



Mantenga siempre la manguera alejada de productos químicos, luz solar, rayos ultravioleta, temperaturas extremas y bordes filosos.

Si se rompe la manguera, se puede arreglar con los siguientes métodos:

- ① Recorte la manguera rota en dos extremos, A y B.
- ② Saque A1 de A2.
- ③ Abra A1 con tijeras, y obtenga A1a.
- ④ Inserte B en A2. Atornille A1a en B, dejando un hilo de espacio.

# Guía para resolver problemas

| PROBLEMA  | POSIBLE CAUSA  | SOLUCIÓN   |
|---|--|--|
| El Scador no arranca                                    | No hay electricidad.   | Check for power supply.  |
|   | El cable de alimentación no está enchufado correctamente.                  | Remove and reconnect the power cord.   |
|   | El interruptor automático del tomacorriente o circuito de potencia salta.  | Desconecte la secador al tomacorriente. Restablezca el interruptor de circuito y vuelve a conectar.  |
|   | El interruptor térmico se activa.  | Apague la máquina y desenchúfela. Limpie o reemplace los filtros. Enchufar y úsela de nuevo después de que la máquina se haya enfriado por completo. |
| La unidad funciona pero la velocidad / ruido es anormal | La entada de aire o la salida de aire está bloqueada.                      | Retire el bloqueo y limpie o reemplace los filtros.  |
|   | Las brochas de carbón del motor están desgastadas.                         | Entrar en contacto con XPOWER para obtener más ayuda.  |
|   | Fuga en la manguera.   | Intente reparar la fuga o reemplace la manguera. (Ver página 12: Mantenimiento de manguera)  |
| La unidad funciona pero la máquina se calienta mucho    | El motor produce calor y calienta la máquina después de un uso prolongado. | Apagar la máquina. Úsela de nuevo después de que la máquina se haya enfriado por completo.   |

Si la solución de problemas propuesto no resuelve su problema, por favor póngase en contacto con XPOWER o otras entidades autorizadas por XPOWER para obtener instrucciones más detalladas al respecto.

# Especificación técnica

| NÚMERO DE MODELO                         | B-4   | B-24  | B-25  | B-27               |
|--|---|---|---|--------------------|
| Voltaje / Frecuencia                     | 115 V~60 Hz                                       |   |   |                    |
| Amperaje                                 | 10.0 A  | 12.0 A  | 12.0 A  | 19.0 A             |
| Fuerza de motor                          | 3 HP  | 3 HP  | 4 HP  | 6 HP               |
| Clasificación del flujo de aire          | 150 CFM*  | 150 CFM*  | 160 CFM*  | 180 CFM*           |
| Control de velocidad                     | Velocidad variable                                |   |   |                    |
| Elemento de calefacción                  | N/A   | 2 configuraciones                                 | N/A   | N/A                |
| Longitud del Manguera                    | 8 pies / 2.4 m                                    |   |   |                    |
| Longitud del cable                       | 10 pies / 3 m                                     |   |   |                    |
| Carcasa                                  | ABS   |   |   | ABS+PC             |
| Dimensiones de la unidad (L) x (W) x (H) | 14.0 x 6.5 x 9.5 pulgadas / 36.0 x 17.0 x 24.0 cm | 14.0 x 6.3 x 9.2 pulgadas / 35.5 x 16.0 x 23.4 cm | 17.7 x 6.3 x 9.3 pulgadas / 45.0 x 16.0 x 23.5 cm |                    |
| Peso de la unidad                        | 10.8 lbs. / 4.9 kg                                | 8.8 lbs. / 4.0 kg                                 | 12.3 lbs. / 5.6 kg                                | 13.0 lbs. / 5.9 kg |
| Certificación de seguridad               | ETL/C-ETL   |   |   | N/A                |

\* CFM (Cubic Feet per Minute): Pies cúbicos por minuto.

Si su(s) producto(s) no está(n) listado(s) arriba, por favor visite la página web [www.xpower.com](http://www.xpower.com) para mayor información.

# Garantía limitada de XPOWER (EE.UU.)

## GARANTÍA LIMITADA DE 1 AÑO

Los productos de la marca XPOWER adquiridos en los Estados Unidos de distribuidores autorizados incluyen una garantía limitada de 1 año. Póngase en contacto con XPOWER para confirmar la información de su garantía sobre su(s) producto(s).

Esta garantía limitada cubre defectos en materiales y mano de obra en los productos de la marca XPOWER, comprados únicamente en **LOS EE.UU.** La póliza de garantía local (si existiese) en su país cubrirá los productos adquiridos fuera de los Estados Unidos.

### **IMPORTANTE:**

- (1) Por favor complete el registro de su garantía en línea antes de usar el aparato. Visite [www.xpower.com/service-support/warranty-registration](http://www.xpower.com/service-support/warranty-registration).
- (2) Esta Garantía Limitada se aplica a su tiempo apropiado. Póngase en contacto con XPOWER o visite [www.xpower.com](http://www.xpower.com) para obtener más información.

### **Los artículos mencionados pero no limitados a continuación no están cubiertos por la garantía:**

- (1) Cable de alimentación, filtros o cualquier otro componente considerado como “partes consumibles” por XPOWER.
- (2) Uso y desgaste normal.
- (3) Problemas que resulten, directa o indirectamente, a discreción de XPOWER, relativos a:
  - (3.1) Causas externas como accidentes, abusos, mal uso o problemas con el suministro de energía eléctrica.
  - (3.2) Desmontaje, reparación o modificación no autorizada por XPOWER.
  - (3.3) Uso que no esté de acuerdo con las instrucciones del producto que se indican en el Manual de usuario.
  - (3.4) El incumplimiento de las instrucciones del producto o la falta de mantenimiento necesario señalado en el Manual de usuario.

### **Antes de ponerse en contacto con XPOWER, por favor trate una o más de las siguientes opciones:**

- (1) Consulte este manual de usuario y siga las instrucciones de la guía de solución de problemas.
- (2) Acceda a [www.xpower.com](http://www.xpower.com) para obtener más consejos e información que podría ser útil para resolver sus problemas.

# Garantía limitada de XPOWER (EE.UU.) (Continuación)

## **Si necesita ayuda adicional por parte de XPOWER, por favor:**

- (1) Envíe un correo electrónico a [info@xpower.com](mailto:info@xpower.com).
- (2) Llame al departamento de servicio al cliente de XPOWER EE.UU. al **855-855-8868** o otros números proporcionados en [www.xpower.com](http://www.xpower.com).
- (3) Visite la oficina central de XPOWER EE.UU. en 240 Clary Ave., San Gabriel, CA 91776 o la dirección más reciente proporcionada en [www.xpower.com](http://www.xpower.com).

Por favor tenga a la mano su comprobante de compra original y los números de serie de su(s) producto(s) cuando se ponga en contacto con XPOWER.

## **Si se le indica que debe proceder con la devolución de la unidad para su reparación o reemplazo, por favor:**

- (1) Solicite un número de autorización de devolución de mercancías o RMA (Return-Merchandise-Authorization).
- (2) Utilice el embalaje original o uno equivalente, pague por adelantado los gastos de envío por su propia cuenta a la dirección proporcionada por XPOWER, con el número RMA en la etiqueta de envío o en el embalaje.
- (3) Incluya todas las piezas y componentes originales.

XPOWER inspeccionará, evaluará y determinará las reparaciones necesarias y el costo aplicable, si lo hubiere. Para los productos bajo garantía, la compañía pagará por el envío del (los) producto(s) reparado(s) o reemplazado(s) a usted, en caso de que utilice una dirección dentro de los Estados Unidos. En caso contrario, se le enviará el (los) producto(s) bajo su propio costo.

# Consignes de sécurité

## **ATTENTION - LISEZ ET ÉPARGNEZ CE MANUEL D'UTILISATION AVANT D'UTILISER CE PRODUIT.**

Lorsque vous utilisez des appareils électriques, surtout quand les enfants ou les animaux sont présents, doivent toujours prendre des précautions pour réduire le risque d'incendie, d'électrocution et de blessures corporelles, y compris, mais non limité à ce qui suit:

- **NE PAS** utiliser les accessoires non prévus pour usage avec le séchoir. Utilisez uniquement les accessoires recommandés ou vendus par le fabricant.
- **NE PAS** tenter d'effectuer n'importe quel service ou entretien non décrits dans le manuel d'instruction.
- **ATTENTION:** Pour réduire le risque de choc électrique – utilisation à l'intérieur seulement. **NE PAS** utiliser à l'extérieur.
- **ATTENTION:** Cette séchoir d'animaux n'est pas censé être utilisé par des enfants. Assemblage par un adulte et opération nécessaire. Pour réduire le risque de blessures, une surveillance étroite est nécessaire quand un appareil est utilisé à proximité d'enfants.
- **NE PAS** utiliser comme un jouet.
- **NE PAS** laisser l'appareil lorsqu'il est branché. Débranchez-le quand il n'est pas en service et avant l'entretien.
- **NE PAS** utiliser une rallonge avec cet appareil.
- **NE PAS** débrancher l'appareil en tirant sur le cordon, pour le débrancher, saisissez la fiche, pas le cordon.
- **ATTENTION:** N'utilisez jamais de séchoir si le cordon ou la fiche est endommagé, ou après que l'appareil fonctionne mal ou après un chute, si il est endommagé de n'importe quel manière, retourner à un Centre de Service Autorisé pour le service, examen, réparation ou réglage électrique ou mécanique.
- Pour débrancher l'appareil, placer l'interrupteur sur ARRET (« O »), puis retirez la prise.
- **NE PAS** tirer ou transporter par le cordon, utilisez le cordon comme poignée, fermer une porte sur le cordon ou tirez le cordon sur des arêtes ou des coins. **NE PAS** faire passer l'appareil sur le cordon. **NE PAS** mettre le cordon sur des surfaces chaudes.
- **NE PAS** tenir le fiche ou l'appareil avec les mains mouillées.
- Faire très attention lors du nettoyage d'escaliers.
- **DANGER: NE PAS** exposez le séchoir à la pluie ou l'eau.
- **NE PAS** utiliser ou stocker le séchoir où il peut tomber ou glisser dans la baignoire ou évier ou l'eau stagnante. Si la sècheuse chute dans l'eau le débrancher, **NE PAS** mettre sa main dans l'eau. Garder unités hors baignoire et **NE PAS** fonctionne sur un sol humide ou une surface mouillée.
- **NE PAS** utiliser pour ramasser des liquides inflammables ou combustibles, tels que l'essence, ni utiliser dans des endroits où ils peuvent être présents. **NE PAS** ramasser quelque chose qui brûle ou qui fume, comme les cigarettes, allumettes, ou des cendres chaudes.
- Débrancher avant de brancher les tuyaux et buses.

## Consignes de sécurité(Suite)

- **ATTENTION: NE PAS** insérer n'importe quel objet dans les ouvertures de le séchoir. Tenir les vêtements, bijoux et cheveux à l'écart des ouvertures du séchoir. NE PAS utilisation avec n'importe quelle ouverture bloquée; garder les orifices libres de poussière, des peluches, des cheveux et tout ce qui peut réduire le débit d'air.
- **ATTENTION: NE PAS** laisser un produit obstruer ou bloquer les prises d'air, car cela pourrait provoquer une surchauffe des appareils et entraîner un risque d'incendie ou d'électrocution. Régulièrement enlever les cheveux ou autres substances des entrées d'air. **NE PAS** contact pièces mobiles.
- Brancher seulement sur une prise correctement reliée à la terre. Voir les instructions de mise à la terre.

## USAGE DOMESTIQUE ET COMMERCIALES

### Instructions de mise à la terre

Cet appareil doit être relié à la terre. En cas de mauvais fonctionnement ou de panne, la mise à la terre fournit un chemin de moindre résistance au courant électrique pour réduire le risque de choc électrique. Cet appareil est équipé d'un cordon muni d'un conducteur de terre et une fiche de terre. La fiche doit être branchée dans une prise appropriée qui est correctement installée et mise à la terre conformément à tous les codes et règlements locaux.

Un électricien qualifié doit être consulté s'il existe un doute quant à savoir si une boîte de sortie est correctement relié à la terre.

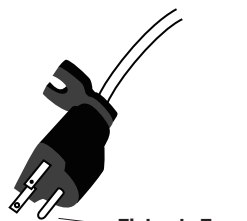
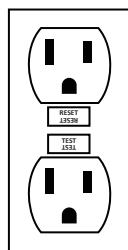
**DANGER:** Un mauvais raccordement du conducteur de la terre peut entraîner un risque d'électrocution. Le conducteur avec la surface d'isolation extérieure verte avec ou sans rayures jaunes est le conducteur de terre. Si des réparations ou le remplacement du cordon ou de la fiche est nécessaire, ne pas raccorder le conducteur de terre sur une borne sous tension. Vérifier avec un électricien qualifié ou un réparateur qualifié si les instructions de mise à la terre ne sont pas complètement comprises, ou en cas de doute quant à savoir si l'appareil est correctement relié à la terre. Ne modifiez pas la fiche fournie avec l'appareil – si elle ne correspond pas à la prise, faites appel à un électricien pour l'installation d'une prise adéquate.

Cet appareil est conçu pour utiliser sur un circuit de 115 v nominal (NEMA 5-15R ou NEMA 5-20R) et possède une fiche de mise à la terre (NEMA 5-15P ou NEMA 5-20P) tel illustré ci-dessous. Assurez-vous que l'appareil est raccordé à une prise ayant la même configuration que la prise. Aucun adaptateur ne doit être utilisé avec cet appareil.

(Pour le modelé B-27) Cet appareil est évalué à plus de 15A et est destiné à être utilisé sur un circuit d'une puissance nominale de 120V. Il est équipé en usine d'un cordon et d'une prise électriques spécifiques. Aucun adaptateur ne doit être utilisé avec cet appareil. Si l'appareil doit être reconnecté pour une utilisation sur un type différent de circuit électrique, la reconnexion doit être effectuée par un technicien qualifié. et après la reconnexion, l'appareil doit être conforme à tous les codes et règlements locaux.

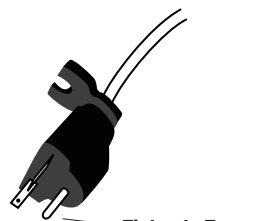
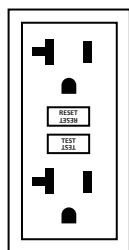
# Consignes de sécurité (Suite)

## Instructions de mise à la terre (Suite)



NEMA 5-15R

NEMA 5-15P



NEMA 5-20R

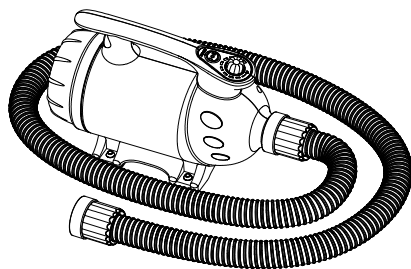
NEMA 5-20P

- **NEMA 5-15R:** Pour le modèle B-4, B-24, B-25.

- **NEMA 5-20R:** Pour le modèle B-27, compatible avec le modèle B-4, B-24, B-25.

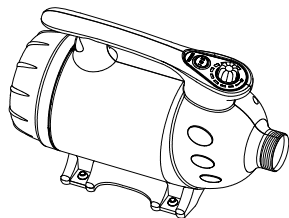
## Introduction du Séchoir Professionnel d'animaux

- Le XPOWER Séchoir Professionnel Puissant d'animaux produit du débit d'air de haute vitesse avec volume réglable pour le retrait rapide de l'eau en toilettage d'animaux.
- C'est idéal pour la force de séchage dans la baignoire. Avec la chaleur provenant naturellement du moteur ou des options de chauffage supplémentaire et le contrôle de vitesse variable, il peut aussi compléter des finitions de séchage sur la table.

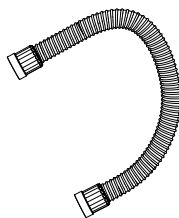




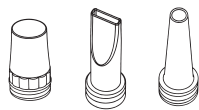
# Éléments inclus



• Séchoir  
d'animaux x 1



• Tuyau x 1



• Buses x 3

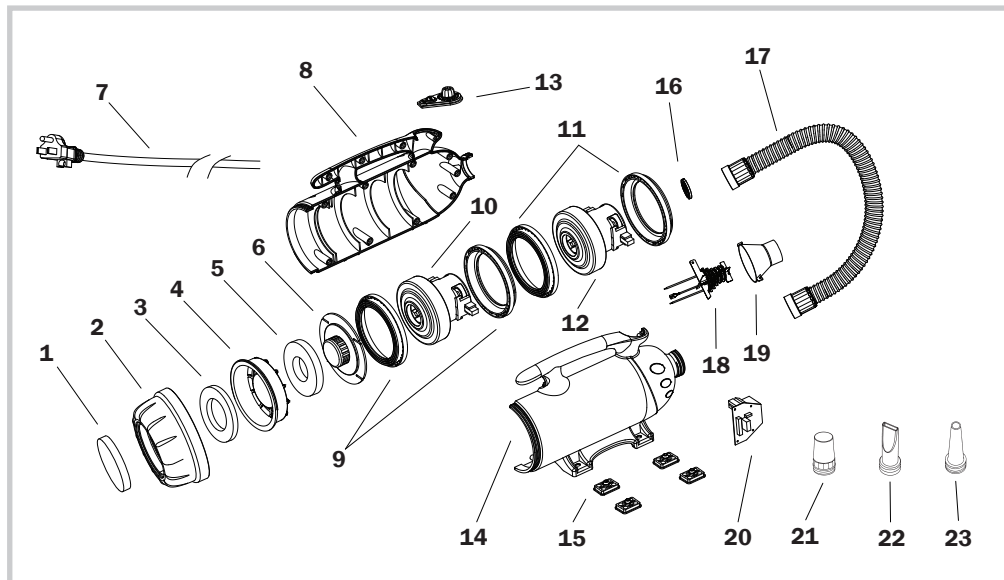


• Ensemble de filtre  
supplémentaire x 1



• Manuel  
d'emploi x 1

# Description des pièces



- |                              |                                     |                                  |
|------------------------------|-------------------------------------|----------------------------------|
| (1) Filtre d'admission       | (9) Chemises de moteur              | (17) Tuyau                       |
| (2) Couvercle arrière        | (10) Moteur                         | (18) Élément chauffant**         |
| (3) Filtre de caisse         | (11) Chemises de moteur*            | (19) Tunnel de élément chauffant |
| (4) Caisse de poussière      | (12) Moteur*                        | (20) Compteur de PCB             |
| (5) Filtre de moteur         | (13) Plaque de commutation          | (21) Buse ronde                  |
| (6) Couvercle anti-poussière | (14) Boîtier gauche                 | (22) Buse plate                  |
| (7) Cordon d'alimentation    | (15) Pieds de caoutchouc            | (23) Buse conique                |
| (8) Boîtier gauche           | (16) Couverture de Grille de sortie |                                  |

\* Pour le modèle B-25/B-27 seulement.

\*\* Pour le modèle B-24 seulement.

# Guide d'installation et d'utilisation

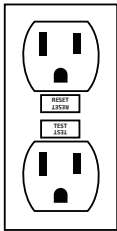
## Source de courant

### Ampérage

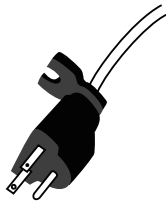
Cet appareil consomme de l'électricité à ampérage élevé de 10A à 19 A (*Voir Page 14: Spécifications techniques*). Vous devriez également vérifier que si l'alimentation circuit de votre bâtiment peut prendre en charge la consommation électrique totale de tous les appareils y compris cet appareil.

### Sélection de sorties de puissance

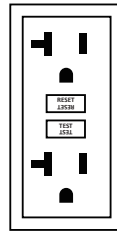
Assurez-vous que vous avez une prise de courant avec un ampérage compatible et fusible de réglage.



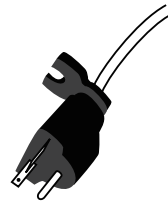
NEMA 5-15R



NEMA 5-15P



NEMA 5-20R

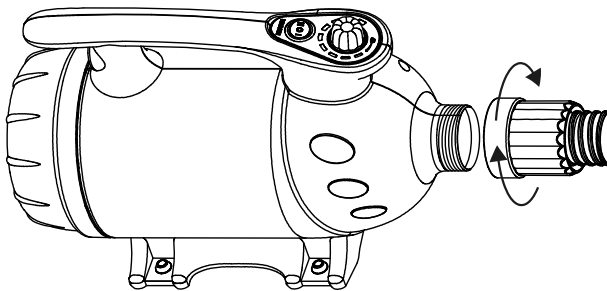


NEMA 5-20P

- **NEMA 5-15R:** Pour le modèle B-4, B-24, B-25.

- **NEMA 5-20R:** Pour le modèle B-27, compatible avec le modèle B-4, B-24, B-25.

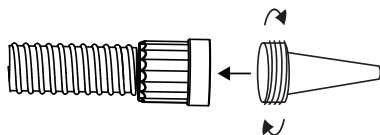
## Installation du tuyau



- Visser le tuyau à la sortie d'air de le séchoir. Fixer la connexion.

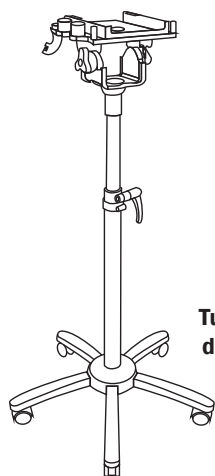
# Guide d'installation et d'utilisation (Suite)

## Installation de la buse



- Vissez la buse souhaitée à l'adaptateur d'embout.

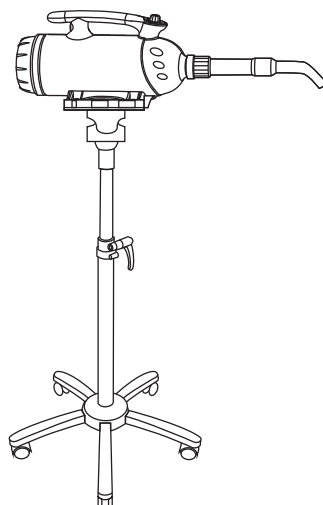
## Configuration de l'extension (Optionnel)



**Support de Plancher  
(B-SMK-3)**



**Tuyau pour Conversion  
de Séchoir Toiletage  
(B-SCA)**

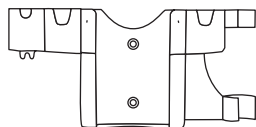


## Conversion de Séchoir Toiletage

- Vous pouvez équiper le séchoir d'animaux au Support de Plancher et Tuyau pour Conversion de Séchoir Toiletage pour une utilisation mains-libres pratique.

\* Le Support de Plancher (B-SMK-3) et Tuyau pour Conversion de Séchoir Toiletage (B-SCA) sont vendus séparément.

## Configuration de l'extension (Optionnel) (Suite)

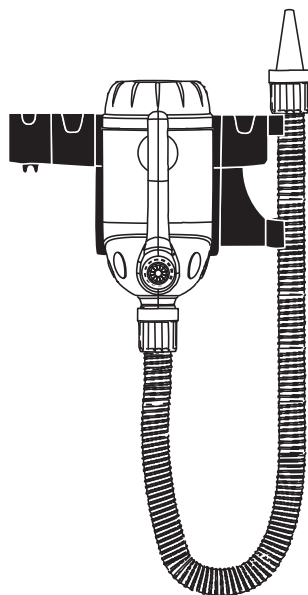


**Fixation Murale\***  
**(B-WMK-2)**

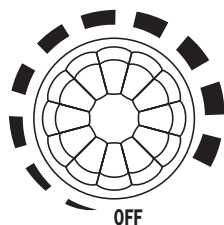
### Fixé au Mur

- Vous pouvez fixer le séchoir d'animaux au Fixation Murale pour un gain d'espace et un usage facile.

\* La Fixation Murale (B-WMK-2) est vendu séparément.

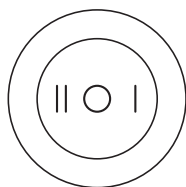


## Plaque de commutation



### Commutateur de Vitesse

- Tournez vers la position « OFF » pour mettre le séchoir d'animaux hors tension. Tournez vers une position quelconque de vitesse pour commuter le séchoir d'animaux sur marche.
- Tournez dans le sens horaire pour régler la vitesse de souhaitée.



### Commutateur de Chauffage

- Met l'interrupteur en position « ● » pour éteindre le séchoir d'animaux.
- Met l'interrupteur en positions autres pour allumer le séchoir d'animaux. « | » / « || » signifie le paramètre de chaleur inférieur/supérieur.

# Guide d'installation et d'utilisation (Suite)

## Commencez votre tâche

### Avant d'allumer séchoir d'animaux:

Veillez bien tenir la tuyau et pointez la sortie de la buse sur une zone de sécurité.

### Étape du séchage puissant

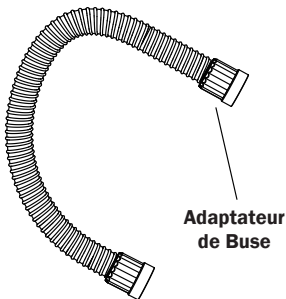
- Dans cette étape, les animaux domestiques ont été baignés et sont saturés d'eau lourde. Le débit d'air à haute pression peut enlever l'eau lourde efficacement.
- Vous pouvez améliorer l'air à haute pression en installant la buse conique ou buse plate et sécher au réglage de vitesse plus élevé de la machine.

### Étape de Table/Toilettage

- Dans cette étape, la plus grande partie de l'eau lourde sur les animaux de compagnie ont été supprimées dans la phase de séchage de force, mais il y a encore peu d'humidité. Flux d'air doux température chauffé et à fort débit peut aider pour vaporiser le reste de l'humidité ou de peluches et de style.
- Pour le modèle B-24, vous pouvez obtenir le débit d'air haute température à l'aide de l'élément chauffant. Pour les autre modèles, mettre le réglage de vitesse plus élevé pendant environ 10 minutes pour circulation d'air chauffé au moteur.
- Pour atteindre un débit d'air doux et de grand volume, passez à embout rond et réduire la vitesse de la machine.

### Sélections de Buse

- La buse conique est utilisé pour l'étape du séchage puissant lorsque le flux d'air concentré à haute pression est nécessaire.
- La buse plate est utilisé pour animaux de compagnie dont les poils sont long (par exemple le pelage soyeux et cheveux longs naturel) afin d'éviter la formation de nouage pendant le processus de séchage.
- La buse ronde permet à volume élevé et une circulation d'air plus douce avec moins de bruit pour les petits animaux de compagnie, les zones sensibles ou le processus de finition du séchage.



### Conseils

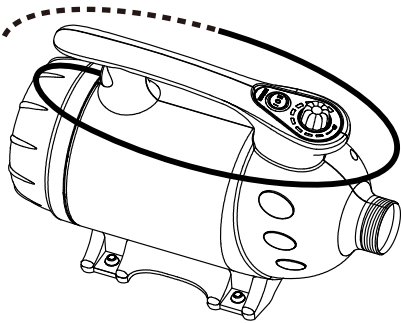
- Pour les animaux domestiques qui sont sensibles au bruit, essayez de commencer par la plus basse vitesse et la buse ronde. Appliquer ensuite la vitesse désirée et autres buses progressivement.
- Maintenez l'adaptateur de buse pour éviter les zones chaudes du tuyau.

# Instructions d'entretien de l'utilisateur

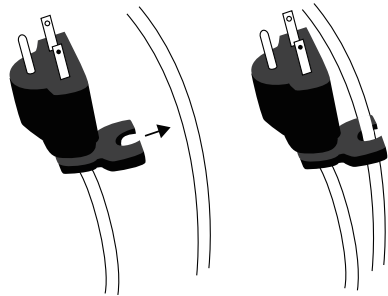
La maintenance fréquente est recommandée sur cet appareil. Le non-respect des instructions d'entretien peut entraîner une défaillance de l'appareil et annuler la garantie.

- En cas de non-utilisation, débranchez et rangez l'appareil dans un endroit sec à l'intérieur et le laissez refroidir. Assurez-vous qu'il est hors de portée des enfants.
- Avant d'effectuer toute maintenance ou tout nettoyage, il faut toujours débrancher le séchoir d'animaux à partir de sa source d'alimentation.
- Essuyez la surface du boîtier avec un chiffon humide. Ne pas nettoyer l'appareil avec de l'eau directement.
- Vérifiez si les couvertures de la grille sont propres. Enlevez la saleté ou d'autres objets qui pourraient bloquer l'entrée d'air et de sortie d'air.

## Organiser le cordon



- Enrouler le cordon d'alimentation autour de la poignée sur le dessus du boîtier pour le stockage après utilisation.

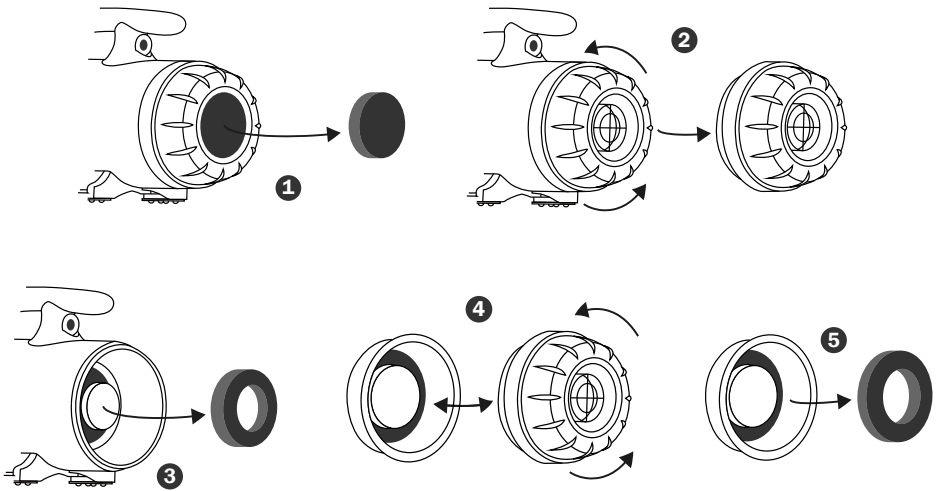


- Utiliser pince pratique à la fin du cordon pour fixer en place.

## Entretien des buses

- Vérifiez si la buses sont propres. Enlevez la saleté ou d'autres objets qui pourraient bloquer la buse.
- Stocker la buse dans un récipient hermétique et placer le récipient dans un endroit frais et sec. Assurez-vous qu'il est hors de portée des enfants.

## Entretien du filtre



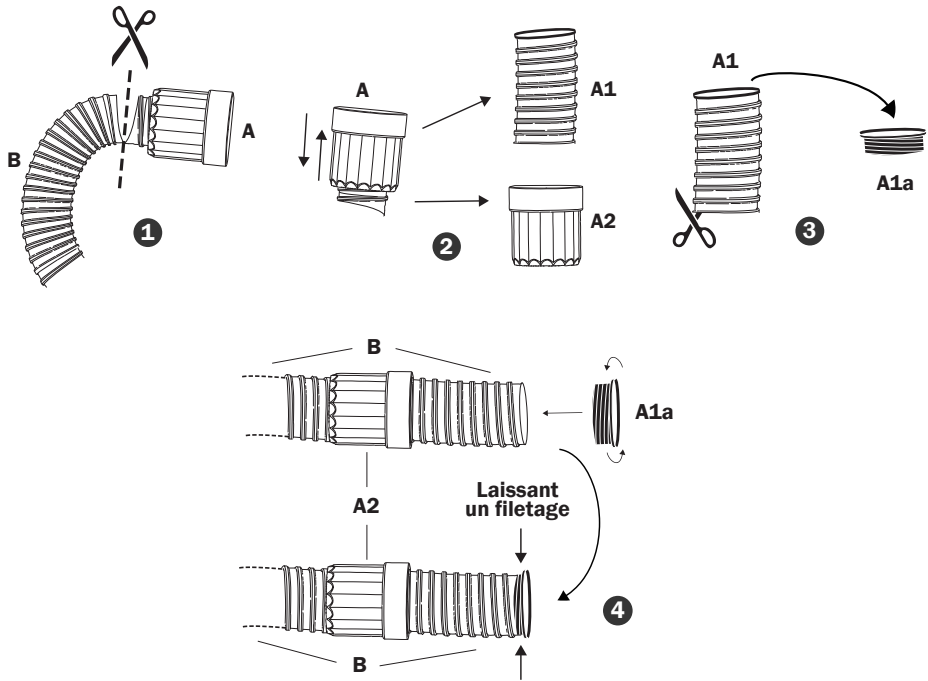
Trois filtres sont sur l'arrière (entrée d'air) de la machine. Pour garantir des performances optimales, vous devez nettoyer ou remplacer les filtres fréquemment. (Voir Page 5: Description des pièces). Suivez les instructions ci-dessous pour retirer les filtres:

- ① Retirez le filtre d'admission droite depuis le bout de le séchoir d'animaux.
- ② Cache-vis à l'arrière.
- ③ Sortez le filtre de moteur de la machine.
- ④ Dévissez le couvercle anti-poussière du couvercle arrière.
- ⑤ Sortez le filtre de caisse de la caisse de poussière.



# Instructions d'entretien de l'utilisateur (Suite)

## Entretien du Tuyau



Gardez toujours le tuyau loin de produits chimiques, du soleil, rayons ultraviolets, des températures extrêmes et des arêtes vives.

Si votre tuyau se brise, il pourrait être fixé par les méthodes suivantes:

- ① Découper le tuyau cassé en deux extrémités, A et B.
- ② Sortir A1 de A2.
- ③ Ouvrir A1 avec un ciseau et obtenez A1a.
- ④ Insérez B dans A2. Vis A1a sur B, laissant un filet d'espace.

# Guide de dépannage

| PROBLÈME   | CAUSE POSSIBLE  | SOLUTION   |
|--|---|--|
| Le séchoir d'animaux ne démarre pas                        | Aucune électricité.   | Vérifiez l'alimentation.   |
|  | Le cordon d'alimentation est mal branché.   | Débranchez et rebranchez le cordon d'alimentation.   |
|  | Le disjoncteur de la prise de courant ou le circuit électrique saute.                 | Débranchez le séchoir d'animaux de la prise de courant. Réarmer le disjoncteur, puis reconnectez.                                      |
|  | L'interrupteur thermique est déclenché.   | Éteignez et débranchez la machine. Nettoyer ou remplacer les filtres. Utilisez à nouveau après que la machine ait totalement refroidi. |
| L'appareil fonctionne mais la vitesse / bruit est anormale | L'entrée d'air ou la sortie d'air est bloquée.  | Supprimer le blocage, et nettoyer ou remplacer les filtres.  |
|  | La brosse en carbone du moteur sont usées.  | Contactez XPOWER pour plus d'assistance.   |
|  | Fuite sur le tuyau.   | Essayez de réparer les fuites ou remplacer le tuyau. (Voir Page 12: Entretien du Tuyau)  |
| L'unité fonctionne mais la machine devient très chaude     | Le moteur produit de la chaleur et réchauffe la machine après une utilisation longue. | Désactiver la machine. Utilisez à nouveau après que la machine ait totalement refroidi.  |

Si le guide de ne résout pas votre problème, veuillez contacter XPOWER ou d'autres parties autorisées par XPOWER pour obtenir des instructions supplémentaires.

# Technical Specification

| NUMÉRO DE MODÈLE                   | B-4   | B-24  | B-25   | B-27                  |
|------------------------------------|---|---|--|-----------------------|
| Tension / Fréquence                | 115 V~60 Hz   |   |  |                       |
| Ampérage                           | 10.0 A  | 12.0 A  | 12.0 A   | 19.0 A                |
| Puissance u moteur                 | 3 HP  | 3 HP  | 4 HP   | 6 HP                  |
| Débit d'air nominal                | 150 CFM*  | 150 CFM*  | 160 CFM*   | 180 CFM*              |
| Contrôle de vitesse                | Vitesse variable  |   |  |                       |
| Élément chauffant                  | N/A   | 2 Configurations  | N/A  | N/A                   |
| Longueur du tuyau                  | 8 pieds / 2.4 m   |   |  |                       |
| Longueur du cordon                 | 10 pieds / 3 m  |   |  |                       |
| Boîtier                            | ABS   |   |  | ABS+PC                |
| Dimension unitaire (L) x (W) x (H) | 14,0 x 6,5 x 9,5<br>ponces. /<br>36,0 x 17,0 x<br>24,0 cm | 14,0 x 6,3 x 9,2<br>ponces. /<br>35,5 x 16,0 x<br>23,4 cm | 17,7 x 6,3 x 9,3<br>ponces.<br>/ 45,0 x 16,0 x 23,5 cm |                       |
| Poids de l'unité                   | 10.8 lbs.<br>/ 4.9 kg                                     | 8.8 lbs.<br>/ 4.0 kg                                      | 12.3 lbs.<br>/ 5.6 kg                                  | 13.0 lbs.<br>/ 5.9 kg |
| Certification de sécurité          | ETL/C-ETL   |   |  | N/A                   |

\*CFM (Cubic Feet per Minute): Pieds cubes par minute.

Si votre produit ne figure pas ci-dessus, veuillez consulter [www.xpower.com](http://www.xpower.com) pour plus d'informations.

# XPOWER Garantie limitée (États-Unis)

## GARANTIE LIMITÉE DE 1 AN

Produits de marque XPOWER-achetés aux États-Unis auprès des distributeurs autorisés une garantie limitée de 1 an. Contactez XPOWER pour confirmer les informations de garantie sur votre produit.

Cette garantie limitée couvre les défauts de matériaux et de fabrication dans vos produits de marque XPOWER, achetés **UNIQUEMENT AUX ÉTATS-UNIS**. La politique de garantie locale (le cas échéant) dans votre pays couvrira les produits achetés à l'extérieur aux États-Unis.

### IMPORTANT:

- (1) Veuillez terminer l'enregistrement de la garantie en ligne avant l'utilisation. Visitez [www.xpower.com/service-support/warranty-registration](http://www.xpower.com/service-support/warranty-registration).
- (2) Cette garantie limitée s'applique à son propre respect des délais. Contactez XPOWER ou visitez [www.xpower.com](http://www.xpower.com) pour plus d'informations.

### Les éléments mentionnés, mais sans s'y limiter ci-dessous ne sont pas couverts par la garantie:

- (1) Cordon d'alimentation, filtres ou tout autre composant considéré comme « pièces consommables » par XPOWER.
- (2) Usure normale.
- (3) Les problèmes qui en résultent, directement ou indirectement, à la seule discrétion de XPOWER, de:
  - (3.1) Causes externes, comme un accident, un usage abusif ou des problèmes avec l'alimentation électrique.
  - (3.2) Le démontage, l'entretien ou la modification non autorisée par XPOWER.
  - (3.3) L'utilisation non conforme aux instructions du produit indiquées dans le manuel d'emploi.
  - (3.4) L'échec de suivre les instructions du produit ou de l'absence d'entretien nécessaire indiqué dans le manuel d'emploi.

### Avant de contacter XPOWER, veuillez essayer une ou plusieurs des éléments suivants:

- (1) Consultez le manuel d'emploi et suivez les instructions du guide de dépannage.
- (2) Accédez [www.xpower.com](http://www.xpower.com) pour plus de conseils et d'informations qui pourraient être utiles pour répondre à vos problèmes.

# XPOWER Garantie limitée (États-Unis) (Suite)

## Si vous avez besoin d'aide supplémentaire de XPOWER, veuillez:

- (1) Email [info@xpower.com](mailto:info@xpower.com).
- (2) Appeler Département de service à la clientèle de XPOWER aux États-Unis au **855-855-8868** ou d'autres chiffres fournis sur [www.xpower.com](http://www.xpower.com).
- (3) Visitez Siège social de XPOWER États-Unis au 240 Clary Ave., San Gabriel, CA 91776 ou l'adresse la plus récente fournie sur [www.xpower.com](http://www.xpower.com).

Veuillez avoir également votre preuve d'achat originale et le numéro de série de votre produit lorsque vous contactez XPOWER.

## Si vous êtes averti à retourner l'unité pour le service ou le remplacement, veuillez:

- (1) Demandez un numéro d'autorisation de retour de marchandise ou RMA (Return-Merchandise-Authorization).
- (2) Utilisez l'original ou un emballage équivalent, payez en l'avance les frais d'expédition à vos propres frais à l'adresse fournie par XPOWER, avec le RMA numéro sur l'étiquette d'expédition ou l'emballage.
- (3) Y compris toutes les pièces et composants d'origine.

XPOWER inspectera, évaluera et conseillera les réparations nécessaires et les coûts applicables, le cas échéant. Pour les produits sous garantie, nous paierons pour vous expédier le produit réparé ou remplacé (s) si vous utilisez une adresse dans les États-Unis. Sinon, nous vous expédierons le produit (s) à vos frais.







**XPOWER Manufacture, INC.**

240 Clary Avenue

San Gabriel, CA 91776 USA

[www.xpower.com](http://www.xpower.com) | 1-(855)-855-8868 | [info@xpower.com](mailto:info@xpower.com)

Read and save these instructions

Lea y guarde estas instrucciones

Lisez et épargnez ces instructions