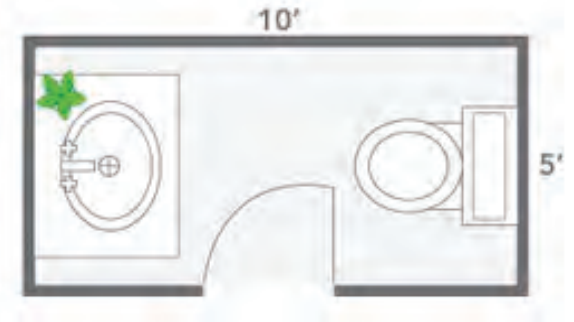
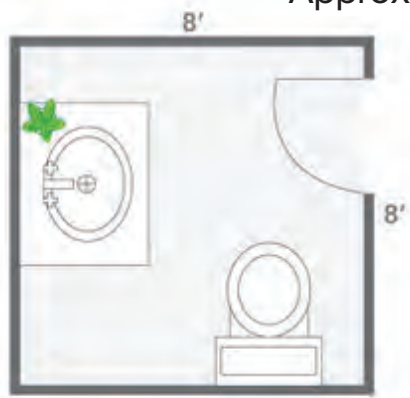




Half Bath

Commonly referred to as a powder room, half bathrooms consist of a toilet and a sink. This bathroom is a low humidity area where the ventilation fan is primarily used to exhaust odor.

Approx. 50-79 sq ft



Suggested Models



Fan

RVS50



Fan with Lighting

RVL50



Fan with Humidity Sensing

RVSH50



Fan with Lighting and Humidity Sensing

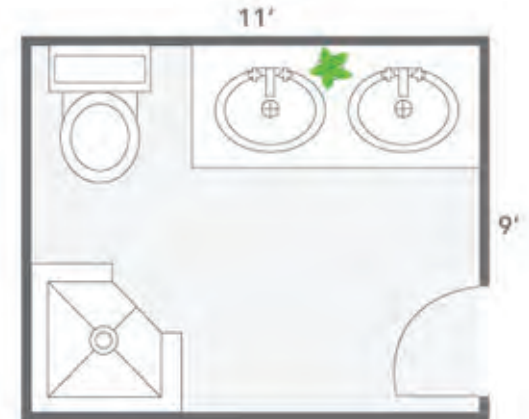
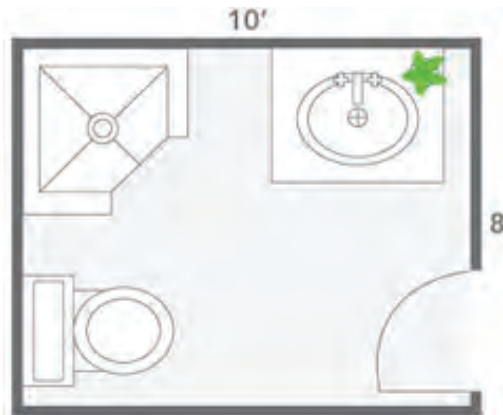
RVLH50

Three Quarter Bath

A three-quarter bathroom is a small to medium sized bathroom commonly housing a vanity, toilet, and either a shower or a bath tub. This bathroom is normally found off a main living area in your home and is often referred to as a guest or common bathroom. This room sees higher levels of humidity and therefore will need a larger CFM model.

We would recommend Humidity Protection for commonly used rooms

Approx. 80-99 sq ft



Suggested Models



Fan

RVS80



Fan with Lighting

RVL80



Fan with Humidity Sensing

RVSH80



Fan with Lighting and Humidity Sensing

RVLH80



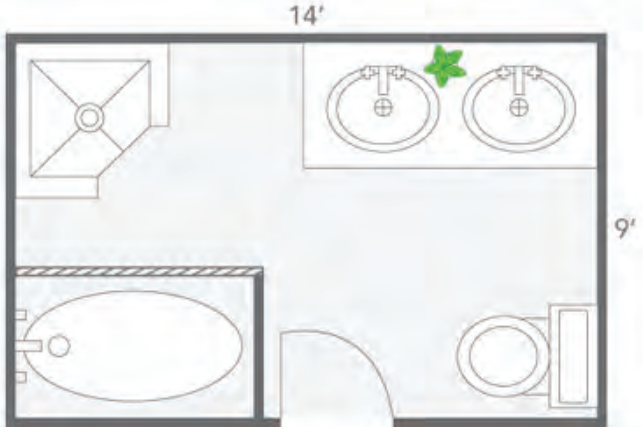
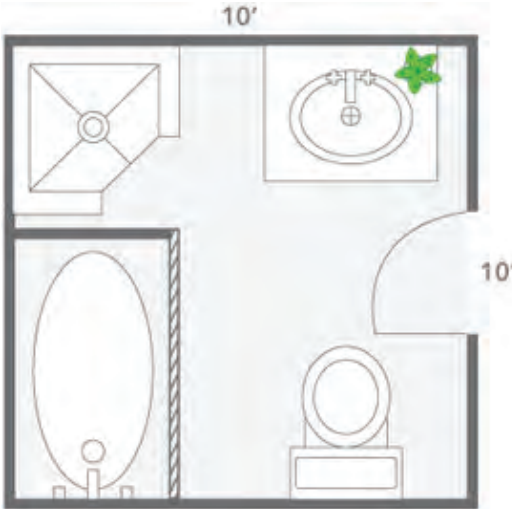


Full Bath

This is a medium to large sized bathroom with a toilet, sink, shower and bath tub. This high traffic bathroom is often used by family and guests and accumulates high levels of moisture and humidity.

Select a Humidity Protection fan in this bathroom to control your fan when your friends and family forget to.

Approx. 100-129 sq ft



Suggested Models



Fan

RVS110



Fan with Lighting

RVL110



Fan with Humidity Sensing

RVSH110



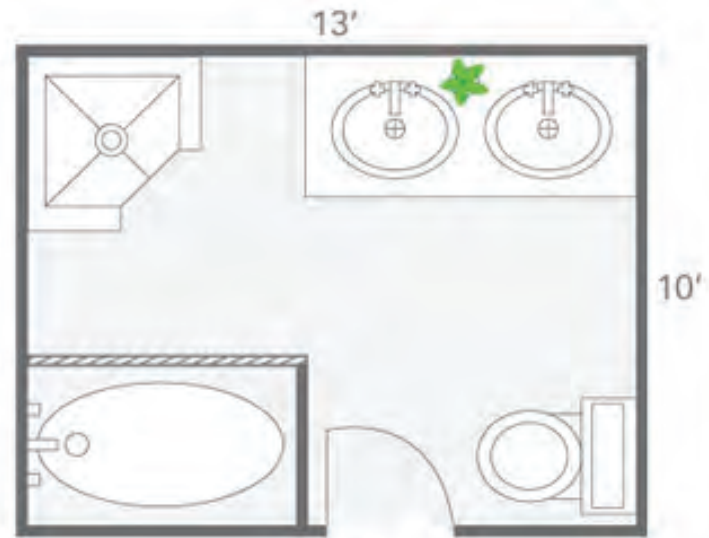
Fan with Lighting and Humidity Sensing

RVLH110

Primary Bath

This is the largest bathroom in your home, typically containing a double vanity, shower, bathtub, and toilet. This room is your relaxation destination and can often be a highly humid climate. To control the high volume of air within this space, a larger CFM fan is needed.

Approx. 130 sq ft and up



Suggested Models



Fan

RVS110

RVS150



Fan with Lighting

RVL110

RVL150



Fan with Humidity Sensing

RVSH110

RVSH150



Fan with Lighting and Humidity Sensing

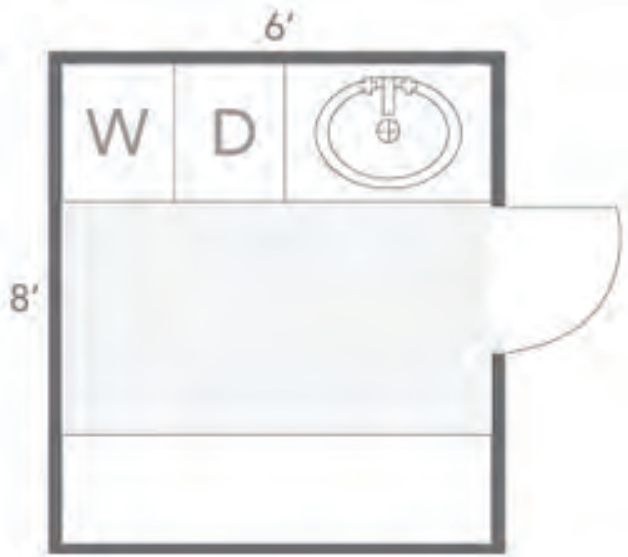
RVLH110

RVLH150



Laundry Room

Unknown to most, the laundry room can create ideal conditions for mold to grow, as the dryer often generates large amounts of heat and moisture. Installing an exhaust fan in the laundry room is an effective tool for eliminating moisture.



Approx. 10-80 sq ft
Avg = 48 sq ft

Suggested Models



Fan

RVS80

RVS110



Fan with Lighting

RVL80

RVL110



Fan with Humidity Sensing

RVSH80

RVSH110



Fan with Lighting and Humidity Sensing

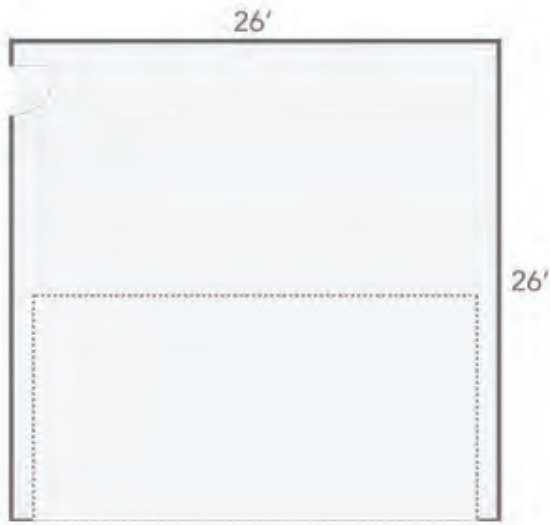
RVLH80

RVLH110



Garage

Unhealthy fumes from vehicles, moisture build up from rain or snow, and deadly carbon monoxide are all hazardous elements that can be found in the average garage. Having a ventilation fan in the garage can help remove the chemicals that could potentially be entering your home. A larger CFM model should be used for most garages.



Avg 2-Car = approx. 676 sq ft

Suggested Models



Fan

RVS150



Fan with Lighting

RVL150



Fan with Humidity Sensing

RVSH150



Fan with Lighting and Humidity Sensing

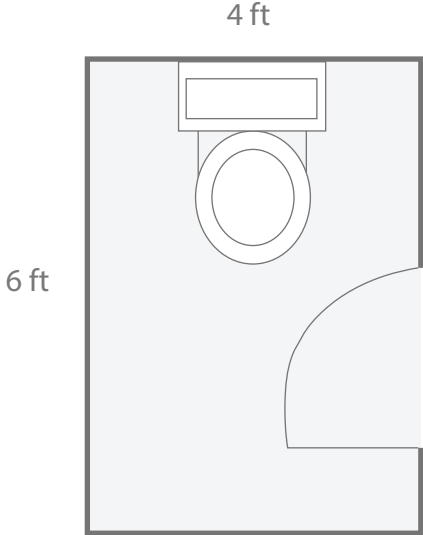
RVLH150



Water Closet

Also referred to as a commode closet or a one-quarter bath, the water closet is a small room or compartment that contains only a toilet. This can sometimes be a room within a larger bathroom, but can also be a stand-alone room located on the far side of a house, for example. This is often a very small room, where ventilation is primarily used to exhaust odor.

Approx. 24 sq ft



Suggested Models



Fan

RVS50



Fan with Lighting

RVL50