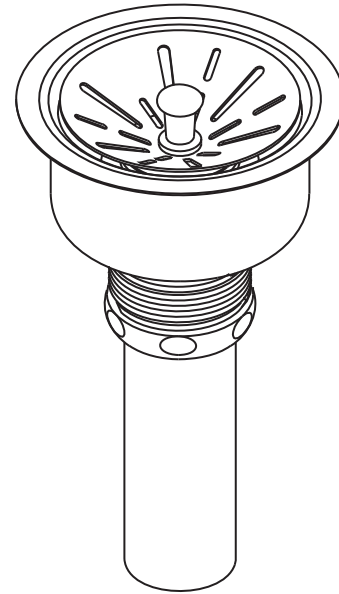


ELKAY® SPECIFICATIONS

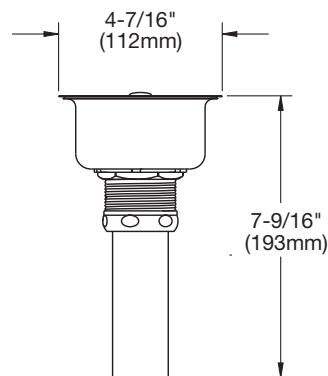
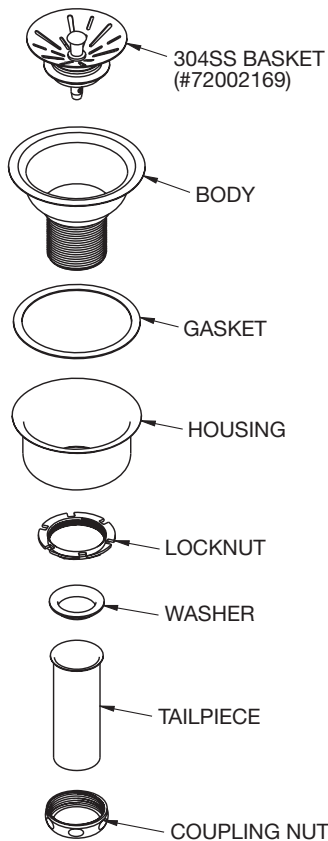
Sink Accessories Drain Fitting Model LK99

GENERAL

- Type 304 stainless steel body and removable conical basket strainer with metal ball bearing locking stem and rubber stopper
- Fits 3-1/2" (89mm) opening
- Ultra bright polished finish
- Type 304 stainless steel 1-1/2" (38mm) x 4" (102mm) tailpiece



Model LK99



In keeping with our policy of continuing product improvement, Elkay reserves the right to change product specifications without notice. Please visit elkayusa.com for most current version of Elkay product specification sheets.

This specification describes an Elkay product with design, quality and functional benefits to the user. When making a comparison of other producers' offerings, be certain these features are not overlooked.