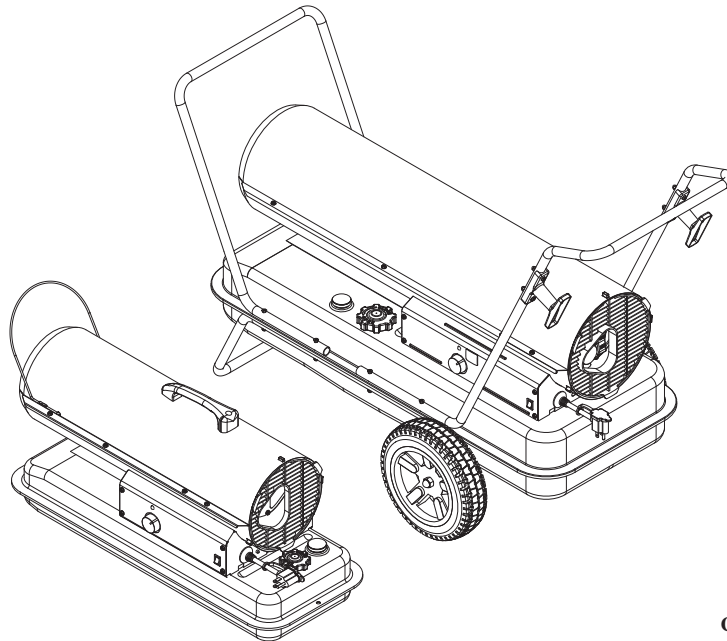


INDOOR/OUTDOOR PRODUCTS
KEROSENE PORTABLE
FORCED AIR HEATERS
“USER’S MANUAL AND
OPERATING INSTRUCTIONS”



COMPLIES WITH UL733 AND
ANSI A10.10-1998 CAN/CSA/
B140.0-03 AND CSA
B140.8-1967



MODEL: **KFA50DGD, KFA80DGD, KFA135DGD
KFA180DGD, KFA220DGD**

Before the first use of this heater, please read this USER’S MANUAL very carefully. This USER’S MANUAL has been designed to instruct you as to the proper manner in which to assemble, maintain, store, and most importantly, how to operate the heater in a safe and efficient manner. Please keep this manual for future reference.

CONSUMER : Retain this manual for future reference.

Questions, problems, missing parts? Before returning to your retailer, call our customer service department at 877-447-4768 8:30 a.m. - 4:30 pm CST, Monday - Friday.
or email us at customerservice@ghpgroupinc.com

**NEVER LEAVE THE HEATER
UNATTENDED WHILE BURNING!**

⚠ DANGER: IMPROPER USE OF THIS HEATER CAN RESULT IN SERIOUS INJURY OR DEATH FROM BURNS, FIRE, EXPLOSION, ELECTRICAL SHOCK AND/OR CARBON MONOXIDE POISONING.

⚠ WARNINGS:

1. RISK OF INDOOR AIR POLLUTION!

- Use this heater only in well ventilated areas. Provide at least a three-square foot (2,800 sq. cm.) opening of fresh outside air for each 100,000 BTU/hr. of heater rating.
- People with breathing problems should consult a physician before using the heater.
- **Carbon monoxide poisoning:** Early signs of carbon monoxide poisoning resemble the flu, with headaches, dizziness and/or nausea. If you have these signs, the heater may not be working properly.
Get fresh air at once! Have the heater serviced. Some people are more affected by carbon monoxide than others. These include pregnant women, persons with heart or lung disease or anemia, those under the influence of alcohol, or those at high altitudes.
- Never use this heater in living or sleeping areas.

2. RISK OF BURNS / FIRE / EXPLOSION!

- **NEVER** use any fuel other than 1-K kerosene, #1/#2 diesel/fuel oil, JET A or JP-8 fuels in this heater.
- **NEVER** use use fuel such as gasoline, benzene, paint thinners or other oil compounds in this heater.
(RISK OF FIRE OR EXPLOSION)
- **NEVER** use this heater where flammable vapors may be present.
- **NEVER** refill the heaters fuel tank while heater is operating or is still hot.

⚠ CAUTION: Hot while in operation. Do not touch. Keep children, clothing and combustibles away from heater.

Minimum Clearances: Outlet: 8 feet (250cm) / Sides, top and rear: 4 feet (125cm)

- **NEVER** block air inlet (rear) or air outlet (front) of heater.
- **NEVER** use duct work in front or behind of heater.
- **NEVER** move or handle heater while it is hot, operating, or plugged in.
- **NEVER** transport heater with fuel in it's tank.
- When used with an optional thermostat or if equipped with a thermostat, heater may start at any time.
- **ALWAYS** locate heater on a stable and level surface.
- **ALWAYS** keep children and animals away from heater.
- Bulk fuel storage should be a minimum of 25 ft. from heaters, torches, portables generators or other sources of ignition. All fuel storage should be in accordance with federal, state or local authorities having jurisdiction.

3. RISK OF ELECTRIC SHOCK!

- Use only the electrical power (voltage and frequency) specified on the model plate of the heater.
- Use only a three-prong, grounded outlet and extension cord.
- **ALWAYS** install the heater so that it is not directly exposed to water spray, rain, dripping water or wind.
- **ALWAYS** unplug the heater when not in use.

⚠ WARNING: This product and the fuel used to operate this product (kerosene or other approved fuels), and the products of combustion of such fuel, can expose you to chemicals including benzene, which is known to the State of California to cause cancer and reproductive harm.
For more information go to www.p65Warnings.ca.gov

MASSACHUSETTS RESIDENTS: Massachusetts state law prohibits the use of this heater in any building which is used in whole or in part for human habitation. Use of this heating device in Massachusetts requires local fire dept. permit (M.E.L.C. 148, Section 10A.)

CANADIAN RESIDENTS: Use of this heater shall be in accordance with authorities having jurisdiction and CSA Standard B139.

NEW YORK CITY RESIDENTS: For use only at construction sites in accordance with applicable NYC codes under NYCFD certificate of approval # 5034 and 5037.

**NEVER LEAVE THE HEATER
UNATTENDED WHILE BURNING!**

CONTENTS OF USER'S MANUAL

| <u>ITEM</u> | <u>PAGE #</u> |
|---|--------------------------|
| PRECAUTIONS - SAFETY GUIDE | 1 |
| 1. INTRODUCTION | 2 |
| 2. FEATURES | 2 |
| 3. UNPACKING AND ASSEMBLY | 4 |
| 4. FUEL SELECTION | 6 |
| 5. OVERVIEW OF HEATER DESIGN | 7 |
| 6. FUELING YOUR HEATER | 8 |
| 7. OPERATION | 8 |
| 8. LONG TERM STORAGE OF YOUR HEATER | 9 |
| 9. MAINTENANCE | 10 |
| 10. REPLACING FUSE | 14 |
| 11. TROUBLESHOOTING GUIDE | 15 |
| 12. WIRING DIAGRAM..... | 16 |
| 13. SPECIFICATIONS | 17 |
| 14. EXPLODED PARTS DRAWING..... | 18 & 21 & 24 |
| 15. PARTS LIST | 19, 20 & 22, 23 & 25, 26 |

1. INTRODUCTION

Please read this USER'S MANUAL carefully. It will show you how to assemble, maintain, and operate the heater safely and efficiently to obtain full benefits from its many built-in features.

2. FEATURES

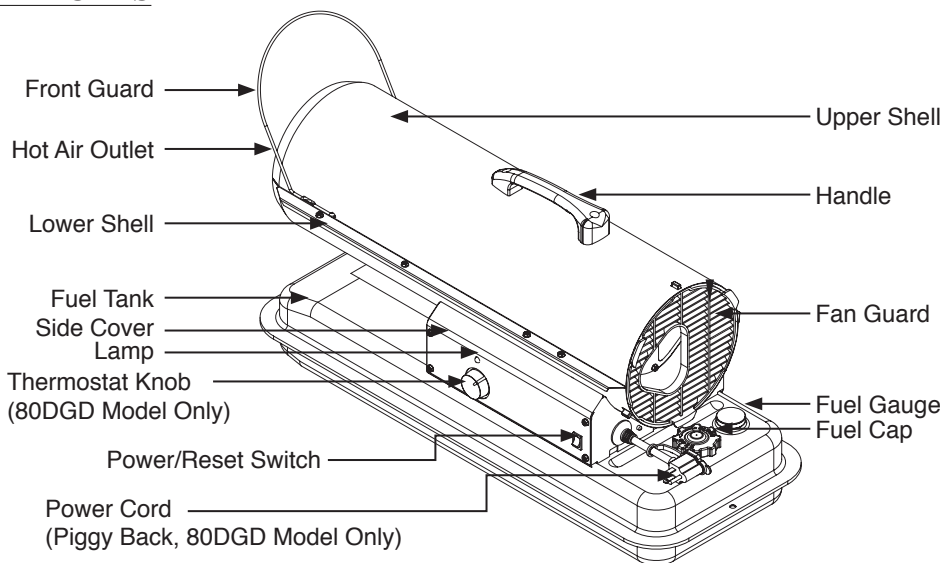


Figure 1. KFA50DGD/KFA80DGD MODELS

NEVER LEAVE THE HEATER UNATTENDED WHILE BURNING!

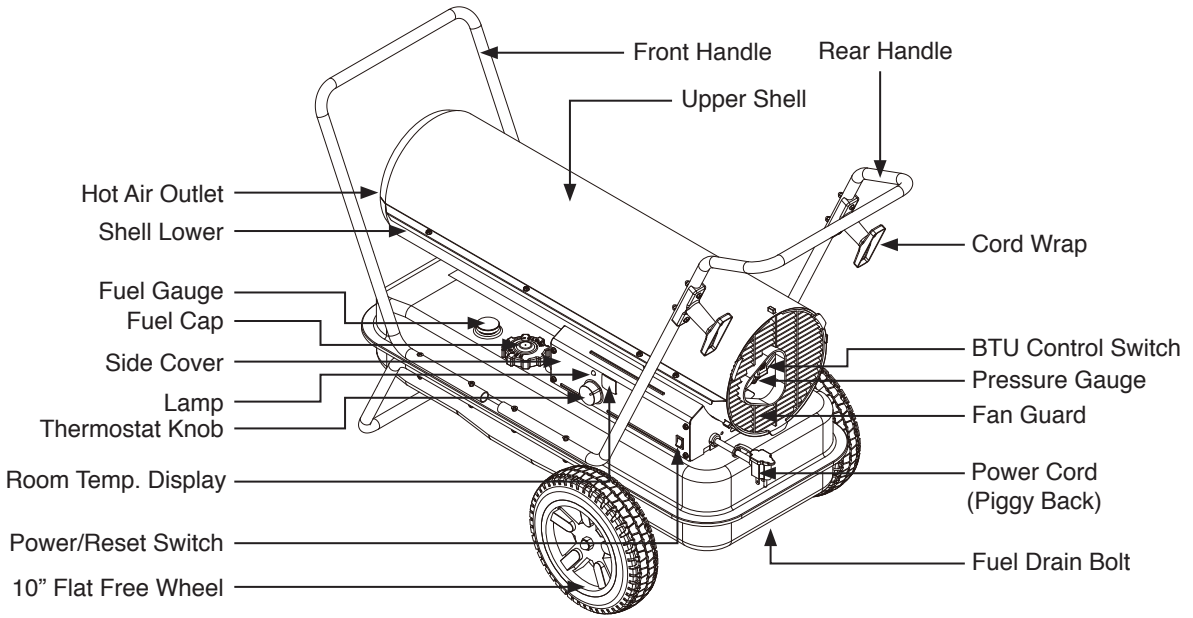


Figure 2. KFA135DGD MODEL

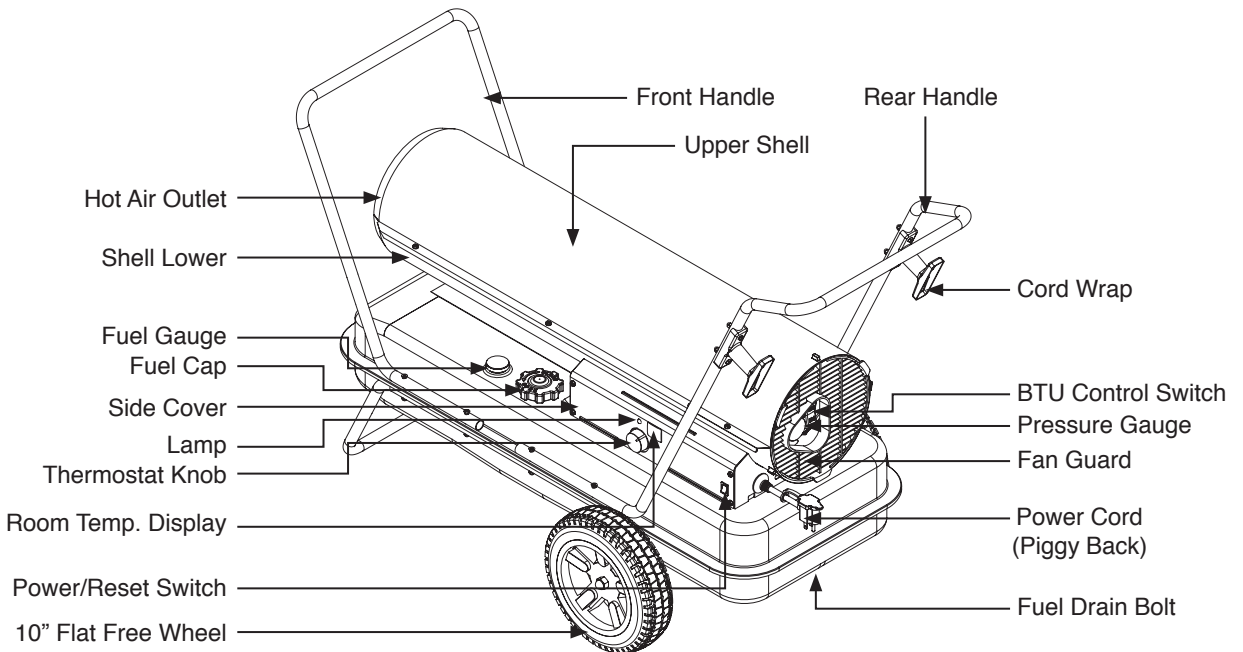


Figure 3. KFA180/220DGD MODELS

**NEVER LEAVE THE HEATER
UNATTENDED WHILE BURNING!**

3. UNPACKING AND ASSEMBLY

1. REMOVE THE HEATER AND ALL PACKING MATERIALS FROM THE BOX. (Fig. 4 and 5)

NOTE : Save the shipping carton and packing materials for future storage.

| | KFA50DGD KFA80DGD | KFA135DGD | KFA180DGD KFA220DGD |
|---------------------------|------------------------------|------------------|--------------------------------|
| Wheel Support Frame | No | Yes | Yes |
| Wheel | No | Yes | Yes |
| Threaded Axle | No | Yes | Yes |
| Front Handle | No | Yes | Yes |
| Rear Handle | No | Yes | Yes |
| Handle | Yes | No | No |
| Cord Wrap | No | Yes | Yes |
| Hardware kit : HW-KFA1016 | No | Yes | Yes |

Figure 4. KFA50DGD/80DGD MODELS

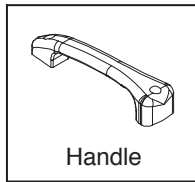
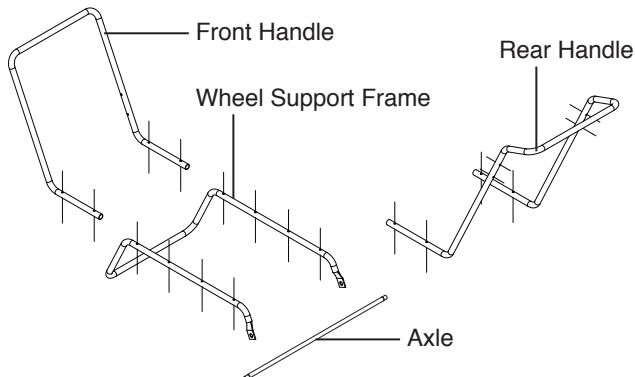
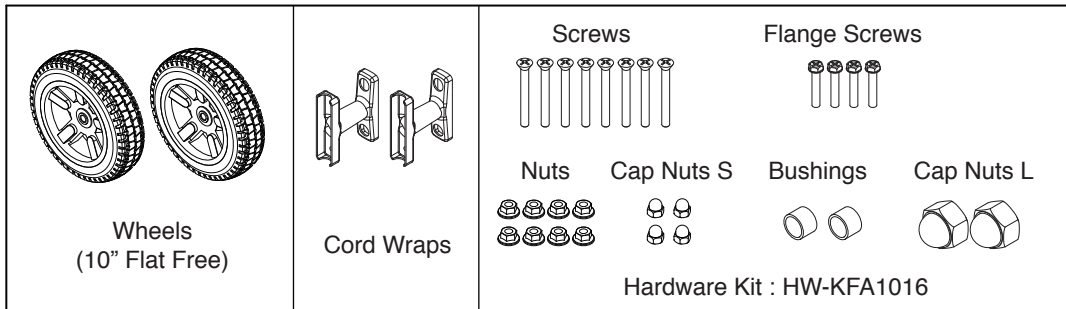


Figure 5. KFA135DGD/180DGD/220DGD MODELS



**NEVER LEAVE THE HEATER
UNATTENDED WHILE BURNING!**

2. ASSEMBLY

For KFA50DGD/80DGD Models only
(Assembly time for this product is 3 minutes)

Tools Required

- Medium Phillips Screwdriver.
- 1) Lift front guard for arrow direction and make sure that guard's wedged portion fits into the slit hole on the upper housing.
 - 2) Remove the pre-assembled screws on the shell upper.
 - 3) Align the holes in the upper housing with two mounting holes on the handle as shown in Figure 6.
 - 4) Secure handle with the screws removed.

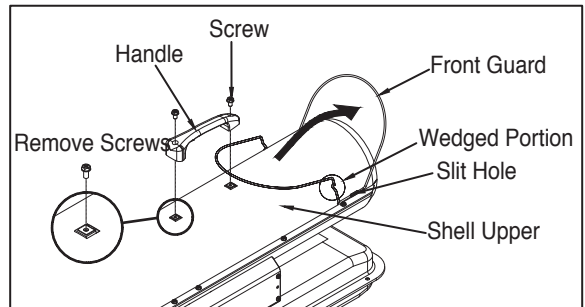


Figure 6. Assembling Handle

For KFA135DGD/180DGD/220DGD Models only (Assembly time for this product is 10 minutes)

Tools Required

- Medium Phillips Screwdriver.
- 3/4 inch socket or adjustable wrench

Assembling Handle & Wheel and Cord Wrap

- 1) Slide threaded axle through the rear section of the wheel support frame.
- 2) Slide one axle bushing on to each side of the axle. Slide one wheel on to each side of the axle. Attach one cap nut on to each side of the threaded axle and tighten well.
- 3) Place heater on wheel support frame. Align the holes on fuel tank flange with holes on wheel support frame.
- 4) Position the Handles on top of fuel tank flange. Insert screws through handles, fuel tank flange and wheel support frames as shown in Figure 8 and attach nut finger tight after each screw is inserted.
- 5) Align the hole on the handles with the mounting hole on the Cord Wrap. Insert Screws through Cord Wrap, handles and attach nut finger tight after each screw is inserted.
- 6) After all screws are inserted, tighten nuts firmly.

**NEVER LEAVE THE HEATER
UNATTENDED WHILE BURNING!**

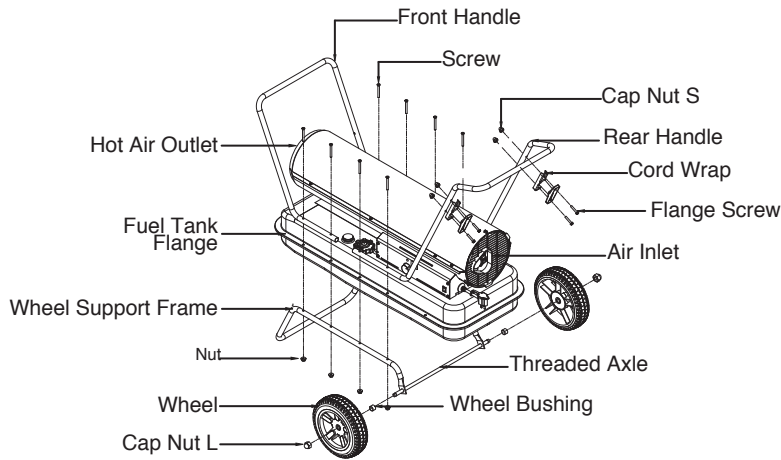


Figure 7. Assembling Handle, Wheel and Cord wrap

⚠ CAUTION: DO NOT OPERATE heater without support frame assembled to tank.

NOTE: Heater should be inspected before each use, and at least annually by a qualified service person.

4. FUEL SELECTION

1. All models can use 7 different fuels: K1 Kerosene, #1 Fuel Oil, #1, Diesel, #2 Fuel Oil, #2 Diesel, Jet A, JP-8
2. K1 Kerosene is recommended for optimal combustion and performance, and for less maintenance. K1 is also the optimal fuel choice in extremely low temperatures of 15°F or less, as its pour-point/"gel-point" varies depending on the refinery, but it is always far below the lowest temperatures reached North America.
3. Jet A and JP-8 are also excellent choices for clean combustion, reduced maintenance, and temperatures below 15°F, but they are rarely found outside of the aviation industry or the military.
4. #1 Fuel Oil, #1 Diesel, #2 Fuel Oil, #2 Diesel are often selected, as they are readily available. However, the user must understand that Fuel Oil and Diesel are less refined, and therefore the user should be aware of the following:
 - a. #1 Diesel and #1 Fuel Oil will have some degree of increased smoke/soot during ignition, increased smell, and increased regular cleaning/maintenance.
 - b. #2 Diesel and #2 Fuel Oil will, generally depending on the regional refinery, burn dirtier than #1 fuels. The use of #2 fuels will result in a little more smoke/soot during ignition, a greater increase in smell, and will require more regular cleaning/maintenance than #1 fuels.
 - c. At temperatures lower than 15°F, most diesel/fuel oil blends will become more viscous (start to gel) as the diesel falls below its pour point (starts to "gel"), and may pose a challenge igniting the heater and with continuous operation of the heater. There are troubleshooting steps for this situation, but selecting K1 (or JP-8/Jet A) is recommended when operating below 15°F. The colder the temperatures the more likely you could problems you will experience diesel gelling.
 - d. Diesel fuel gelling happens when the paraffin usually present in diesel starts to solidify when the temperature drops. At 32°F, the wax in liquid form will crystallize and leave the fuel clouded; this can start to have an effect on the fuel filter and the nozzle. If the nozzle is getting coated the spray pattern will not be correct which can cause white smoke and performance problems.

KEROSENE SHOULD ONLY BE STORED IN A BLUE CONTAINER THAT IS CLEARLY MARKED "KEROSENE". NEVER STORE KEROSENE IN A RED CONTAINER.

Red containers are associated with gasoline.

NEVER store kerosene in the living space. Kerosene should be stored in a well ventilated place outside the living area.

NEVER use any fuel other than 1-K kerosene (#1/#2 diesel/fuel oil, JET A or JP-8 fuels are acceptable substitutes)

NEVER use fuel such as gasoline, benzene, alcohol, white gas, camp stove fuel, paint thinners, or other oil compounds in this heater. These are volatile fuels that can cause an explosion or uncontrolled flames.

NEVER store kerosene in direct sunlight or near a source of heat.

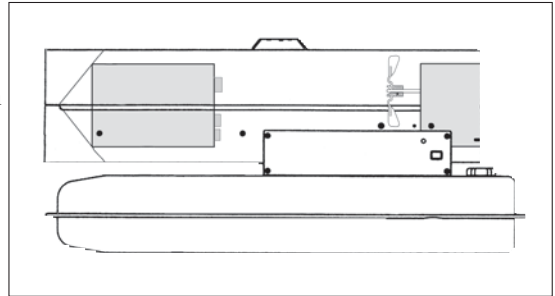
NEVER use kerosene that has been stored from one season to the next. Kerosene deteriorates over time.

"OLD KEROSENE" WILL NOT BURN PROPERLY IN THIS HEATER.

**NEVER LEAVE THE HEATER
UNATTENDED WHILE BURNING!**

5. OVERVIEW OF HEATER’S DESIGN

Fuel System: This heater is equipped with an electric air pump that forces air through the air line connected to the fuel intake and then through a nozzle in the burner head. When the air passes in front of the fuel intake it causes fuel to rise from the tank and into the burner nozzle. This fuel and air mixture is then sprayed into the combustion chamber in a fine mist.



“Sure Fire Ignition” : The electronic ignitor sends voltage to a specially designed spark plug. The spark plug ignites the fuel and air mixture described above.

The Air System : The heavy duty motor turns a fan that forces air into and around the combustion chamber. Here the air is heated and then forced out the front of the heater.

The Safety System :

A. Temperature Limit Control : This heater is equipped with a Temperature Limit Control designed to turn off the heater should the internal temperature rise to an unsafe level. If this device activates and turns your heater off it may require service.

| MODELS | Internal Shut-Off Temp. Plus/Minus 10 Degrees | Reset Temperature Plus/Minus 10 Degrees |
|-----------|--|--|
| KFA50DGD | 176°F/80°C | 122°F/50°C |
| KFA80DGD | 158°F/70°C | 104°F/40°C |
| KFA135DGD | 158°F/70°C | 104°F/40°C |
| KFA180DGD | 230°F/110°C | 194°F/90°C |
| KFA220DGD | 194°F/90°C | 140°F/60°C |

B. Electrical System Protection : This heater’s electrical system is protected by a fuse mounted to the PCB assembly that protects it and other electrical components from damage. If your heater fails to operate check this fuse first and replace as needed.

| | | |
|-------------------|------------|-------------------|
| FUSE TYPE: | All Models | 125 volt / 8 amps |
|-------------------|------------|-------------------|

C. Flame-Out Sensor : Utilizes a photocell to monitor the flame in burn chamber during normal operation. It will cause the heater to shut-off should the burner flame extinguish.

**NEVER LEAVE THE HEATER
UNATTENDED WHILE BURNING!**

6. FUELING YOUR HEATER

**NEVER FILL THE HEATER FUEL TANK IN THE LIVING SPACE : FILL THE TANK OUTDOORS.
DO NOT OVERFILL YOUR HEATER AND BE SURE HEATER IS LEVELED.
IMPORTANT NOTICE REGARDING FIRST IGNITION OF HEATER :**

The first time you light the heater, it should be done outdoors. This allows the oils, etc. used in manufacturing the heater to burn off outside.

▲ WARNING!! : NEVER REFILL HEATER FUEL TANK WHEN HEATER IS OPERATING OR STILL HOT.

7. OPERATION

A.) VENTILATION

RISK OF INDOOR AIR POLLUTION/USE HEATER ONLY IN WELL VENTILATED AREAS.

Provide a fresh air opening of at least three square feet (2,800 sq. cm) for each 100,000 BTU/Hr. rating. Provide extra fresh air if more heaters are being used.

Example :

A KFA220DGD heater requires one of the following:

- a two-car garage door raised six inches (15.24 cm)
- a single-car garage door raised nine inches (22.86 cm)
- two, thirty-inch (76.20 cm) windows raised fifteen inches (38.1 cm)

B.) OPERATION

TO START HEATER

1. Fill fuel tank with fuel.

NOTE : Kerosene is recommended when the temperature drops below 0°F(-18°C) to prevent ignition delay or failure.

2. Attach fuel cap.

3. Plug power cord of heater into three-prong, grounded extension cord. Extension cord must be at least six feet long.

Extension Cord Wire Size Requirements

- 6 to 100 feet (1.8 to 30.5 meters) long, use 16 AWG conductor.
- 101 to 200 feet (30.8 to 61 meters) long, use 14 AWG conductor.

4. Turn “THERMOSTAT CONTROL knob” to desired setting (setting range : 40°F ~ 110°F) (KFA80/135/180/220DGD Models Only)

5. Push “BTU control Switch” to desired level “High or LOW” (See Figure 8.) (KFA135/180/220DGD Models Only)

6. Push Power Switch to “ON” position, Power Indicator Lamp will light and heater will start.

7. After startup, push “BTU control switch” to desired level “High or Low”

NOTE: Room Temperature display explanations are as follows: (KFA135/180/220DGD Models only)

- **When the room temperature is less 0°F, the LED display will show “Lo”**
- **When room temp is between 0°F and 99°F, the number shown on the display is the current room temperature.**
- **When room temperature is greater than 99°F, the LED display will show “Hi”**

If heater does not start, the thermostat setting may be too low, turn “thermostat Control Knob” to higher position to start heater. If heater still does not start, turn power switch to “OFF” and then to “ON” position. If heater still does not start, see Troubleshooting Guide on page 15.

NOTE : User can select to operate the heater on two different BTU levels(High or Low).

To stabilize heater and prevent ignition delay, select BTU level after turning the heater on, or while it is in operation by pushing the BTU control switch. If the heater started at low BTU level in cold weather or low fuel tank, ignition failure can occur.

NOTE : In cold weather, ignition may be improved by holding a finger over the end of the relief valve or block fanguard in half with newspaper etc. until the heater ignites.

NEVER LEAVE THE HEATER UNATTENDED WHILE BURNING!

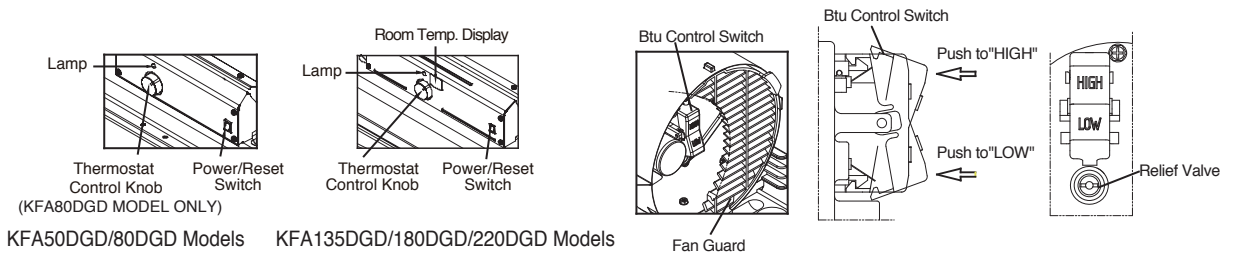


Figure 8. Controls for All Models

NOTICE : The major electrical components of this heater are protected by a safety fuse mounted to the PCB board. If your heater fails to start, check this fuse first and replace as necessary. You should also check your power source to insure that proper voltage and frequency are being supplied to the heater.

TO STOP HEATER

1. Turn switch to “OFF” and unplug power cord.

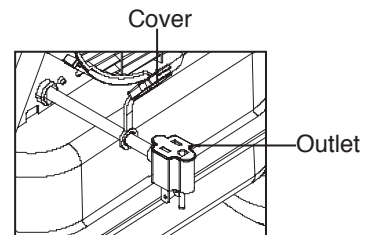
TO RESTART HEATER

1. Wait 10 seconds after stopping heater.
2. Repeat steps under to start heater.

PIGGYBACK POWER CORD

⚠ WARNING : SHOCK HAZARD!

- Always cover electric outlet when not in use.
- Don’t plug and use an appliance more than 120V/60Hz 5A current in this outlet.



KFA80DGD/135DGD/180DGD/220DGD Models only

Figure 9. Piggy Back Power Cord

8. LONG TERM STORAGE OF YOUR HEATER

FUEL TANK DRAIN

1. Drain fuel tank through fuel cap opening.
(For KFA50DGD/80DGD Models Only)
2. Remove fuel drain bolt from rear bottom side of fuel tank using 3/4” socket or adjustable wrench and drain.
(For KFA135DGD/180DGD/220DGD Models Only. See Figure 10)
3. Using a small amount of kerosene, swirl and rinse the inside of the tank.
NEVER mix water with the kerosene as it will cause rust inside the tank.
Pour the kerosene out making sure that you remove it all.

IMPORTANT : Do not store kerosene over summer months for use during next heating season.
Using old fuel could damage heater.

4. Reinstall fuel cap. Properly dispose of old and dirty fuel.
(For KFA50DGD/80DGD Models Only)
5. Reinstall fuel drain bolt to Fuel tank and tighten firmly using 3/4” socket or adjustable wrench. (For KFA135DGD/180DGD/220DGD Models Only. See Figure 10)

IMPORTANT : Before reinstalling the fuel drain bolt, make sure the seal is on the bolt. If the seal is not used the bolt cannot be installed correctly and the fuel tank will leak.

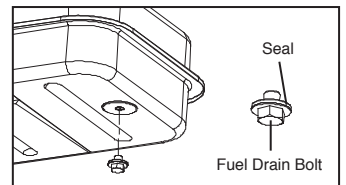


Figure 10. Fuel Drain Bolt

6. Store heater in dry well ventilated area. Make sure storage place is free of dust and corrosive fumes.
7. Store the heater in the original box with the original packing material and keep the USER’S MANUAL with the heater.

**NEVER LEAVE THE HEATER
UNATTENDED WHILE BURNING!**

9. MAINTENANCE

⚠ WARNING!! : NEVER SERVICE HEATER WHILE IT IS PLUGGED IN OR WHILE HOT!

USE ORIGINAL EQUIPMENT REPLACEMENT PARTS. Use of third party or other alternate components will void warranty and may cause unsafe operating conditions.

A.) FUEL TANK

FLUSH EVERY 200 HOURS OF OPERATION OR AS NEEDED (SEE STORAGE, PAGE 9)

B.) AIR INTAKE FILTER

WASH AND DRY WITH SOAP AND WATER EVERY 500 HOURS OF OPERATION OR AS NEEDED.

- Remove screws along each side of heater using medium phillips screwdriver.
- Lift upper shell off.
- Remove fan guard.
- Wash or replace air intake filter.
- Reinstall fan guard and upper shell.

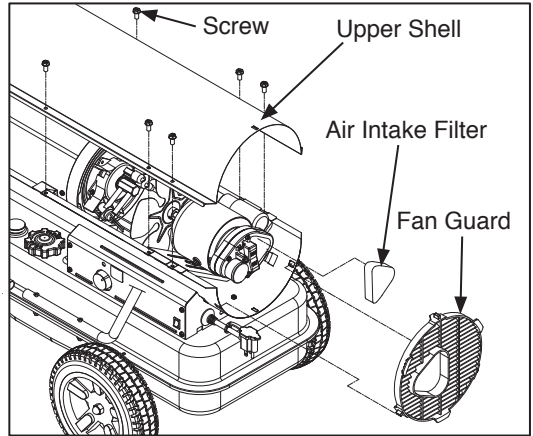


Figure 11. Air Intake Filter Access

C.) AIR OUTPUT FILTER, LINT FILTER

REPLACE EVERY 500 HOURS OF OPERATION OR ONCE A YEAR.

- Remove upper shell and fan guard (See Air Intake Filter).
- Turn Air pressure gauge counter-clock wise and remove.
- Remove end filter cover screws using medium phillips screwdriver.
- Remove end filter cover.
- Replace air output and lint filter.
- Reinstall end filter cover and air pressure gauge.
- Reinstall fan guard and upper shell.

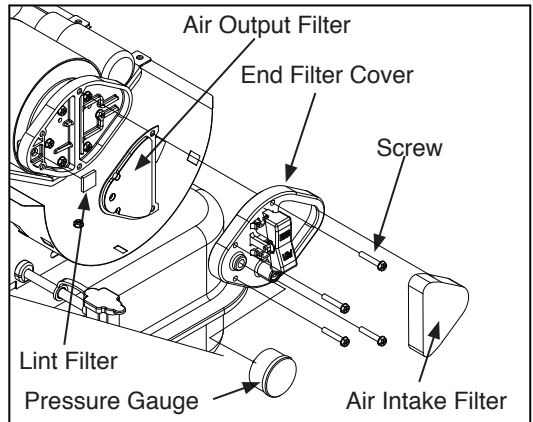


Figure 12. Air Output Filter Access

D.) FAN BLADES

CLEAN EVERY SEASON OR AS NEEDED.

- Remove upper shell (See Air Intake Filter).
- Use M6 allen wrench to loosen set screw which holds fan blade to motor shaft.
- Slip fan blade off motor shaft.
- Clean fan blade using a soft cloth moistened with kerosene or solvent.
- Dry fan blade thoroughly.
- Reinstall fan blade on motor shaft. Place fan blade hub flush with end of motor shaft.
- Place set screw on flat of shaft. Tighten set screw firmly (40-50 inch-pounds/4.5-5.6 N-m).
- Reinstall upper shell.

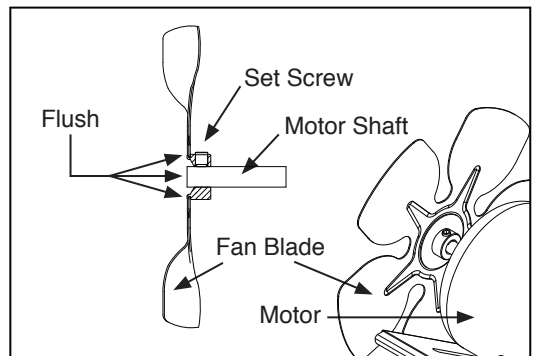


Figure 13. Fan Assembly

NEVER LEAVE THE HEATER UNATTENDED WHILE BURNING!

E.) NOZZLE

REMOVE DIRT IN NOZZLE AS NEEDED (SEE PAGE 16).
(For KFA50DGD/80DGD/135DGD/180DGD Models Only)

- Remove upper shell (See page 10).
- Remove fan blade (See page 10).
- Remove fuel and air line hoses from nozzle adaptor.
- Remove ignitor wire from spark plug.
- Remove spark plug from nozzle adaptor using medium phillips screwdriver.
- Turn nozzle adaptor 1/9 turn(40°) to counter clock wise and pull toward motor to remove. (See Figure 14)
- Place plastic hex-body into vise and lightly tighten.
- Carefully remove nozzle from nozzle adaptor using 5/8" socket wrench.
- Blow compressed air through face of nozzle. (this will remove any dirt in nozzle)
- Reinstall nozzle into nozzle adaptor until nozzle seats. Tighten 1/3 turn more using 5/8" socket wrench. (40~45 inch-pounds)
- Reinstall nozzle adaptor to Burner Head.
- Reinstall spark plug to nozzle adaptor.
- Attach ignitor wire to spark plug.
- Attach fuel and air line hoses to nozzle adaptor.
- Reinstall fan blade and upper shell.

(For KFA220DGD Model Only)

- Remove upper shell (See page 10).
- Remove fan (See page 10).
- Remove fuel and air line hoses from nozzle adaptor.
- Remove ignitor wire from spark plug.
- Remove spark plug from nozzle adaptor using medium phillips screwdriver.
- Turn nozzle adaptor 1/8 turn (45°) to counter clock wise and pull toward motor to remove. (See Figure 15)
- Place plastic hex-body into vise and lightly tighten.
- Carefully remove nozzle from nozzle adaptor using 5/8" socket wrench.
- Blow compressed air through face of nozzle. (this will remove any dirt in nozzle)
- Reinstall nozzle into nozzle adaptor until nozzle seats. Tighten 1/3 turn more using 5/8" socket wrench (40~45 inch-pounds)
- Reinstall nozzle adaptor to burner bracket
- Reinstall spark plug to nozzle adaptor.
- Attach ignitor wire to spark plug.
- Attach fuel and air line hoses to nozzle adaptor.
- Reinstall fan blade and upper shell. firmly (40-50 inch-pounds/4.5-5.6 N-m).
- Reinstall upper shell.

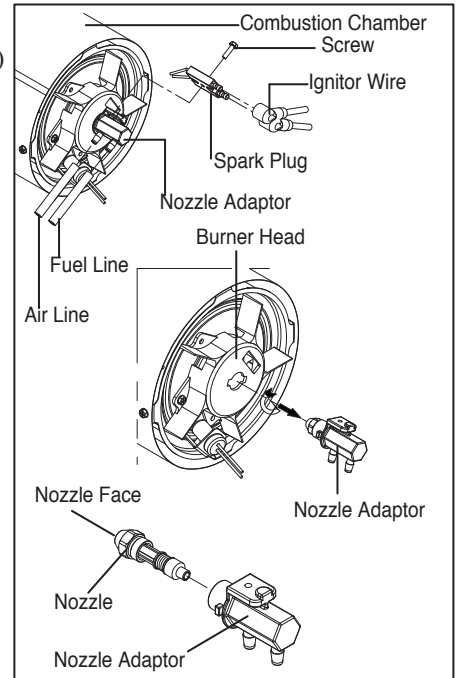


Figure 14. Nozzle Replacement

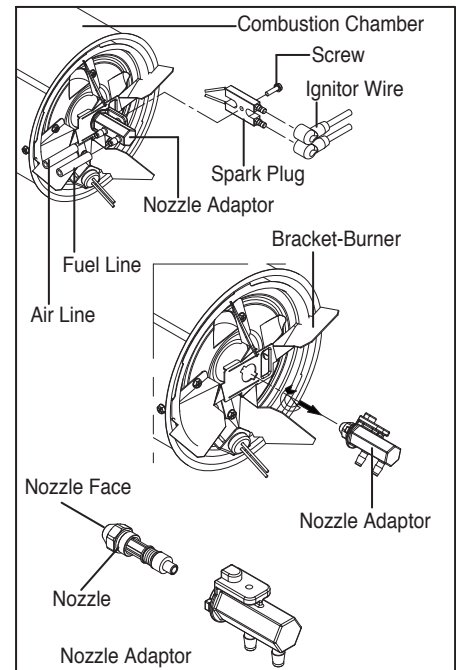


Figure 15. Nozzle Replacement

NEVER LEAVE THE HEATER UNATTENDED WHILE BURNING!

F.) SPARK PLUG

CLEAN AND REGAP EVERY 600 HOURS OPERATION OR REPLACE AS NEEDED.

(For KFA50DGD/80DGD/135DGD/180DGD Models Only)

- Remove upper shell (See page 10).
- Remove fan (See page 10).
- Remove ignitor wire from spark plug.
- Remove spark plug from nozzle adaptor using medium phillips screwdriver.
- Clean and regap spark plug electrodes to 3.5mm gap.
- Reinstall spark plug to nozzle adaptor.
- Attach ignitor wire to spark plug.
- Reinstall fan and upper shell.

(For KFA220DGD Model Only)

- Remove upper shell (See page 10).
- Remove fan (See page 10).
- Remove ignitor wire from nozzle adaptor.
- Remove spark plug from nozzle adaptor using medium phillips screwdriver.
- Clean and regap spark plug electrodes to 3.5mm gap. (0.138")
- Reinstall spark plug to nozzle adaptor.
- Attach ignitor wire to spark plug.
- Reinstall fan and upper shell.

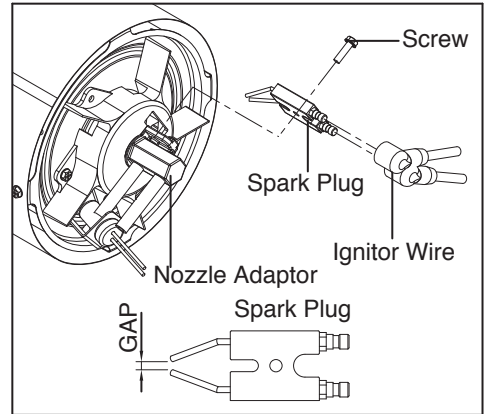


Figure 16. Spark Plug Regap

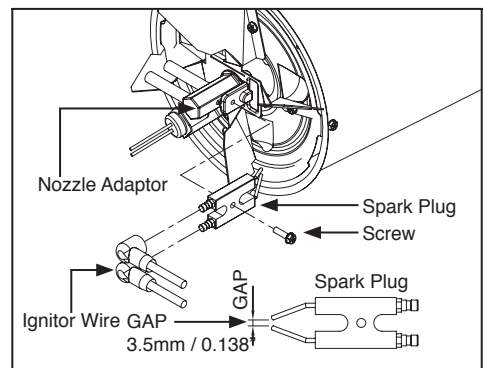


Figure 17. Spark Plug Regap

G.) PHOTOCELL

CLEAN PHOTOCELL ANNUALLY OR AS NEEDED.

- Remove upper shell (See page 10).
- Remove fan (See page 10).
- Remove photocell from it's mounting.
Clean photocell lens with cotton swab.

TO REPLACE:

- Remove side cover screws using medium phillips screwdriver.
- Disconnect switch wires from power switch and remove side cover.
- Disconnect wires from circuit board and remove photocell.
- Install new photocell and connect wires to circuit board.
- Replace switch wires to power switch and side cover.
- Replace fan and upper shell.

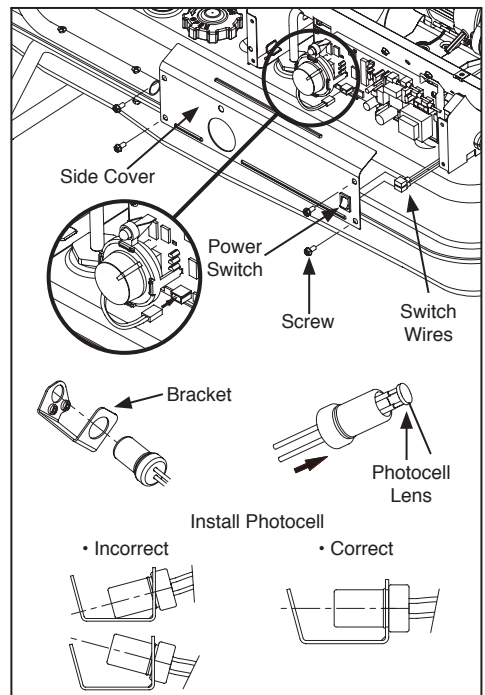


Figure 18. Photocell Replacement

NEVER LEAVE THE HEATER UNATTENDED WHILE BURNING!

H.) FUEL FILTER

CLEAN OR REPLACE TWICE A HEATING SEASON OR AS NEEDED.

- Remove side cover screws using medium phillips screwdriver.
- Disconnect switch wires from power switch and remove side cover.
- Pull fuel line off fuel filter neck.
- Turn fuel filter 90° to counter clockwise and pull to remove (KFA50DGD/80DGD Models only).
- Turn fuel filter 90° to clockwise and pull to remove (KFA135DGD/180DGD/220DGD Models only).
- Wash fuel filter with clean fuel and replace in tank.
- Attach fuel line to fuel filter neck.
- Replace switch wires to power switch.
- Reinstall side cover.

I.) PUMP PRESSURE ADJUSTMENT

NOTE: If the pump pressure needs to be adjusted, make sure the heater is running on the HIGH BTU setting.

- Push the BTU CONTROL Switch to HIGH. (See Operation, page 8, KFA135DGD/180DGD/220DGD Models only)
- Remove Pressure Gauge Plug from End Filter Cover. (KFA50DGD/80DGD Models only)
- Start heater (See Operation, page 8)
Allow motor to reach full speed
- Adjust pressure (Using a flat blade screwdriver) Turn relief valve to clockwise to increase pressure. Turn relief valve to counter clockwise to decrease pressure.
- Stop heater (See Operation, page 8)

| MODEL | Pump Pressure | |
|-----------|----------------|---------------|
| | High BTU level | Low BTU level |
| KFA50DGD | 3.8 psi | N/A |
| KFA80DGD | 3.8 psi | N/A |
| KFA135DGD | 5.5 psi | 3.5 psi |
| KFA180DGD | 6.5 psi | 4.5 psi |
| KFA220DGD | 8.5 psi | 6.5 psi |

NOTE: USE ONLY ORIGINAL EQUIPMENT REPLACEMENT PARTS.

Use of alternate or third party components will void any warranty and may cause unsafe operating condition.

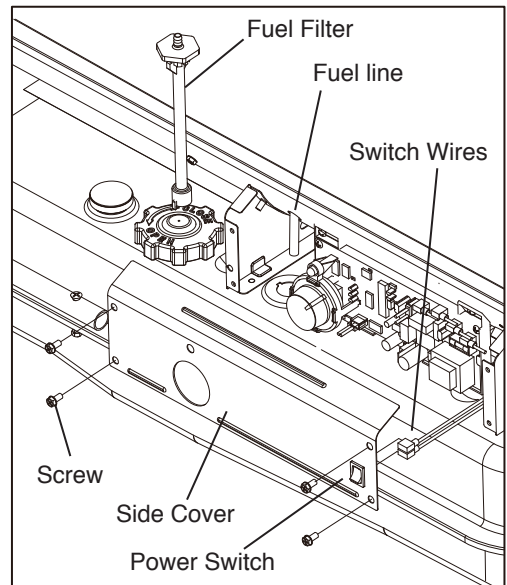


Figure 19. Fuel Filter Replacement

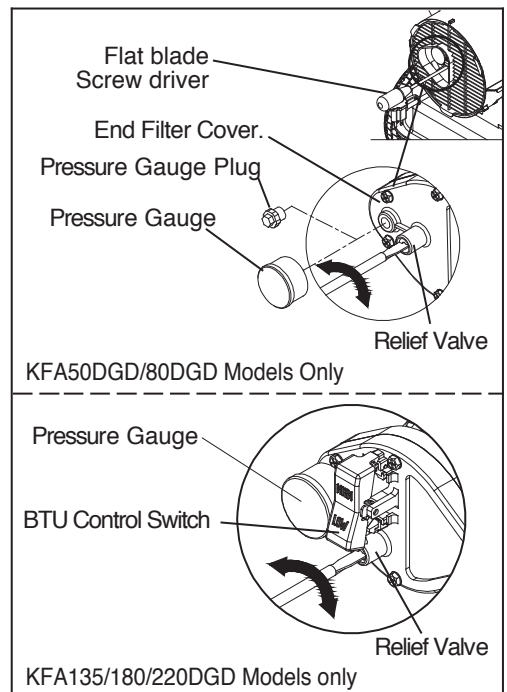


Figure 20. Adjusting Pump Pressure

**NEVER LEAVE THE HEATER
UNATTENDED WHILE BURNING!**

10. REPLACING FUSE

NOTICE : This heater is fuse protected.

If your heater fails to ignite, DO NOT RETURN YOUR HEATER TO THE STORE.

Please follow the simple instructions below to inspect and change the fuse.

PROCEDURE FOR REPLACING FUSE

⚠ WARNING : SHOCK HAZARD

To prevent personal injury, unplug the power cord before replacing fuse.

1. Unplug heater.
2. Remove side cover screws using medium phillips screw driver.
3. Disconnect switch wires from power switch.
4. Remove fuse from fuse holder.(See Figure 21.)
5. Replace fuse.

⚠ WARNING : FIRE HAZARD

To avoid fire, Do not substitute with a higher or lower current rating.

6. Replace switch wires to power switch.
7. Replace side cover.

NOTE : Specified fuse rating : AC 125/8A

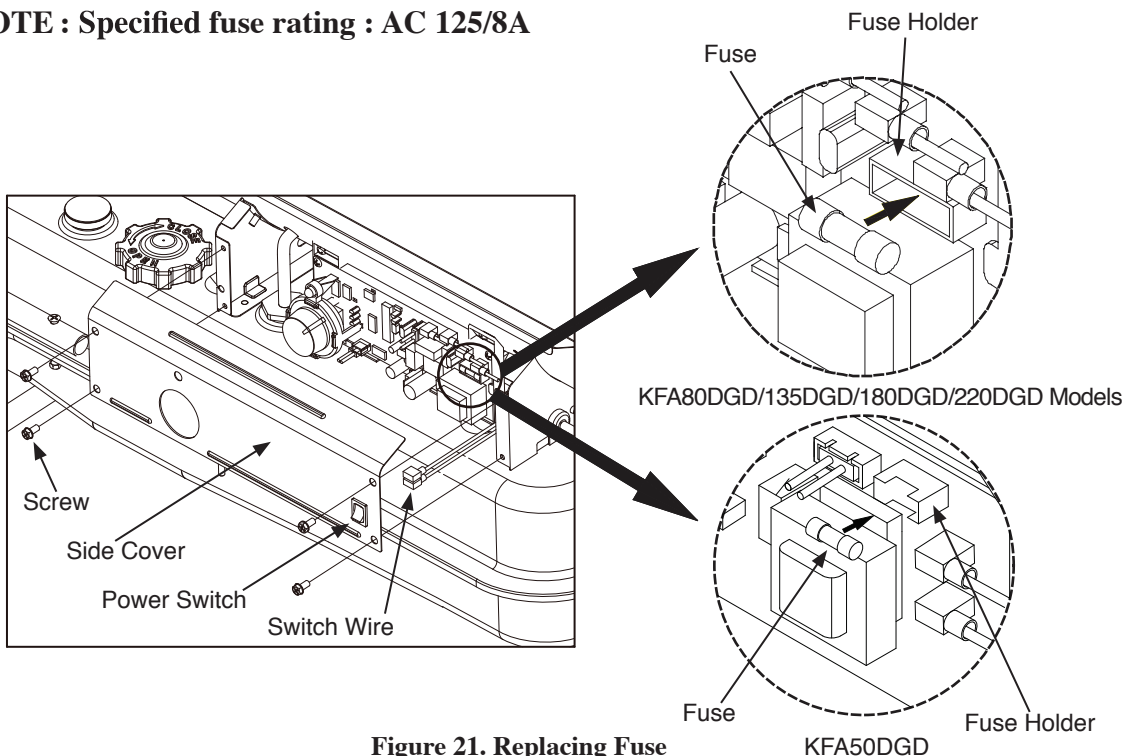


Figure 21. Replacing Fuse

**NEVER LEAVE THE HEATER
UNATTENDED WHILE BURNING!**

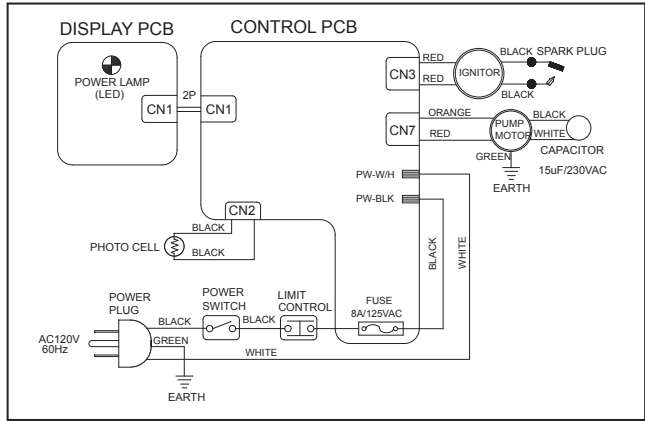
11. TROUBLESHOOTING GUIDE

| TROUBLE | POSSIBLE CAUSE | CORRECTIVE ACTION |
|--|---|---|
| Heater ignites but MAIN PCB assembly shuts heater off after a short period of time. (Indicator Lamp is flickering and room temp. display indicates “E1 “) | <ol style="list-style-type: none"> 1. Wrong pump pressure. 2. Dirty Air Output, Air Intake or Lint Filter. 3. Dirty Fuel Filter. 4. Dirt in Nozzle. 5. Dirty Photocell Lens. 6. Photocell Assembly not Properly installed. (Not seeing the flame) 7. Bad electrical connection between photocell and MAIN PCB assembly. 8. Defective Photocell. | <ol style="list-style-type: none"> 1. See Pump Pressure Adjustment, Page 13. 2. See Air Output, Air intake and Lint Filters, page 10. 3. See Fuel Filter, Page 13. 4. See Nozzle, Page 11. 5. Clean Photocell Lens, Page 12. 6. Make sure photocell boot is properly seated in bracket, Page 12. 7. Check electrical components See wiring diagram, Page 16. 8. Replace Photocell, Page 12. |
| Heater will not ignite but motor runs for a short period of time. (Indicator Lamp is flickering and room temp. display indicates “E1 “) | <ol style="list-style-type: none"> 1. No fuel in tank. 2. Wrong pump pressure. 3. Carbon deposits on spark plug and/ or improper gap. 4. Dirty fuel filter. 5. Dirt in Nozzle. 6. Water in fuel tank. 7. Bad electrical connection between ignitor and MAIN PCB assembly. 8. Ignition wire is not attached to spark plug. | <ol style="list-style-type: none"> 1. Fill tank with kerosene. 2. See Pump Pressure Adjustment, Page 13. 3. See Spark Plug, Page 12. 4. See Fuel Filter, Page 13. 5. See Nozzle, Page 11. 6. Flush fuel tank with clean kerosene, Page 9. 7. Check electrical components See wiring diagram, Page 16. 8. Attach ignition wire to spark plug. See Spark Plug, Page 12. |
| Fan does not turn when heater is plugged in and power switch was in the “ ON “ Position. (Indicator Lamp is on or flickering) | <ol style="list-style-type: none"> 1. Thermostat setting is too low. 2. Bad electrical connection between motor and MAIN PCB assembly. | <ol style="list-style-type: none"> 1. Turn thermostat control knob to a higher setting. 2. Check electrical connections, See Wiring Diagram, Page 16. |
| (Indicator Lamp is flickering and room temp. display indicates “E2”) | <ol style="list-style-type: none"> 1. Sensor Failure. | <ol style="list-style-type: none"> 1. Replace sensor. See Wiring diagram, Page 16. |
| (Indicator Lamp is flickering and room temp. display indicates “E3”) | <ol style="list-style-type: none"> 1. Thermostat switch failure. | <ol style="list-style-type: none"> 1. Replace switch. See Wiring diagram, Page 16. |
| Heater will not turn-on (Indicator Lamp is off) | <ol style="list-style-type: none"> 1. Temperature limit safety device is overheated. 2. No electrical power 3. Blown fuse. 4. Bad electrical connection between temperature limit safety device and PCB board. | <ol style="list-style-type: none"> 1. Turn power switch to “OFF” and allow to cool (about 10 min.) 2. Check to insure heater cord and extension cord are plugged in. Check power supply. 3. Replace safety fuse in PCB board. 4. Check electrical connections See Wiring Diagram, Page 16. |

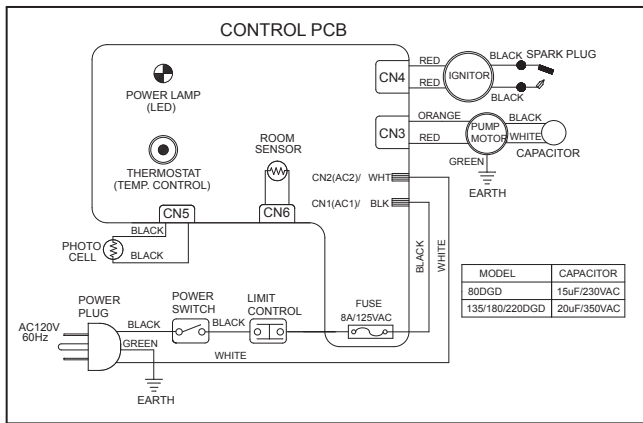
**NEVER LEAVE THE HEATER
UNATTENDED WHILE BURNING!**

12. WIRING DIAGRAM

A) WIRING DIAGRAM (KFA50DGD Model)

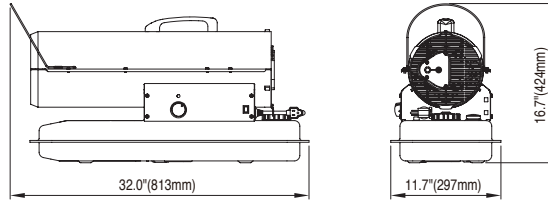


B) WIRING DIAGRAM (KFA80DGD/135DGD/180DGD/220DGD Models)

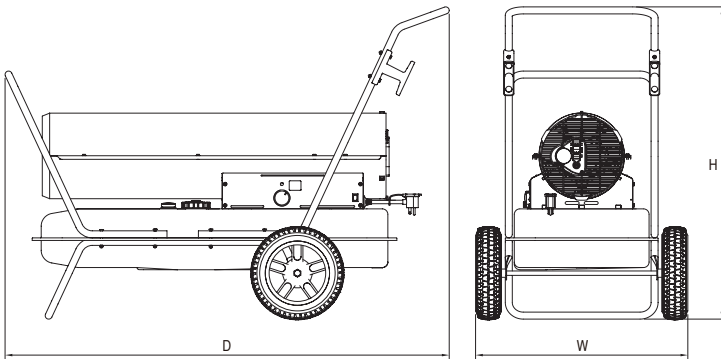


**NEVER LEAVE THE HEATER
UNATTENDED WHILE BURNING!**

13. SPECIFICATIONS



KFA50DGD/80DGD Models



| | 135DGD | 180DGD 220DGD |
|---|-----------------|------------------|
| D | 41.9"(1,063 mm) | 47.4"(1,205 mm) |
| W | 21.5"(547 mm) | 23.1"(587 mm) |
| H | 32.4"(824 mm) | 33.5"(850 mm) |

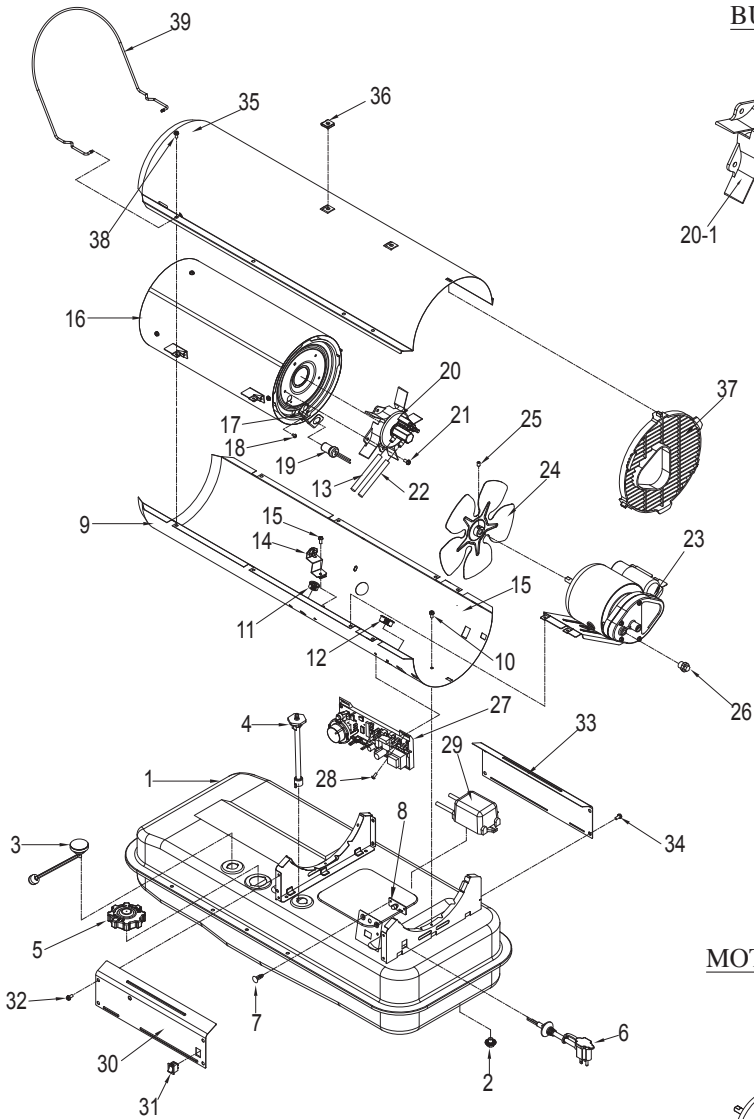
KFA135DGD/180DGD/220DGD Models

| MODEL | | KFA50DGD | KFA80DGD | KFA135DGD | KFA180DGD | KFA220DGD |
|---|------|---------------------------------|---------------------------------|-----------------------------------|-----------------------------------|-----------------------------------|
| BTU/Hr. | HIGH | 50,000 | 80,000 | 135,000 | 180,000 | 220,000 |
| | LOW | N/A | N/A | 95,000 | 140,000 | 180,000 |
| Fuel Consumption - Gal./Hr(ℓ./Hr) | HIGH | 0.38(1.44) | 0.60(2.27) | 1.02(3.86) | 1.36(5.15) | 1.66(6.28) |
| | LOW | N/A | N/A | 0.72(2.73) | 1.06(4.01) | 1.36(5.15) |
| Fuel Tank Capacity - Gal.(ℓ) | | 5.0(18.9) | 5.0(18.9) | 10.0(37.9) | 13.0(49.2) | 13.0(49.2) |
| Pump Pressure PSI(kgf/cm ²) | HIGH | 3.8(0.27) | 3.8(0.27) | 5.5(0.39) | 6.5(0.46) | 8.5(0.60) |
| | LOW | N/A | N/A | 3.5(0.25) | 4.5(0.32) | 6.5(0.46) |
| Volt/Hz | | 120Vac/60hz | 120Vac/60hz | 120Vac/60hz | 120Vac/60hz | 120Vac/60hz |
| Amps. | | 1.6 | 1.6 | 2.5 | 3.2 | 3.7 |
| Phase | | 1 | 1 | 1 | 1 | 1 |
| Size(D×W×H), Inch(mm) | | 32.0×11.7×16.7 (813×297×424) | 32.0×11.7×16.7 (813×297×424) | 41.9×21.5×32.4 (1,063×547×824) | 47.4×23.1×33.5 (1,205×587×850) | 47.4×23.1×33.5 (1,205×587×850) |
| Weight Lbs.(kg) | | 26.9(12.2) | 26.9(12.2) | 52.2(23.7) | 58.0(26.3) | 60.2(27.3) |

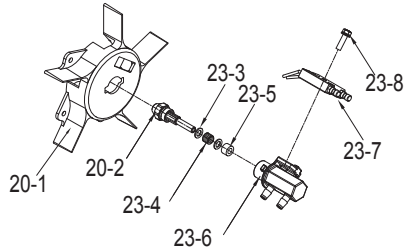
**NEVER LEAVE THE HEATER
UNATTENDED WHILE BURNING!**

14. EXPLODED PARTS DRAWING (KFA50DGD/80DGD Models Only)

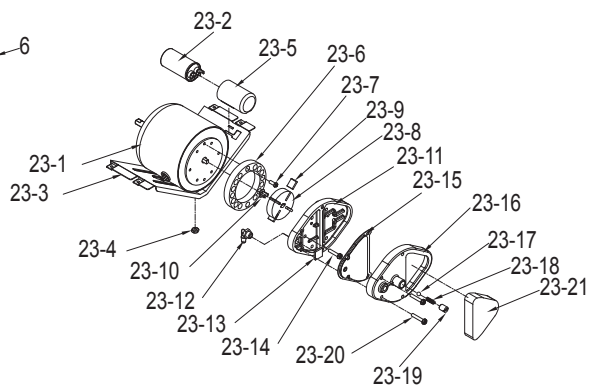
NOTE : SPECIFY MODEL NUMBER AND PART NUMBER WHEN ORDERING PARTS.



BURNER HEAD ASSEMBLY



MOTOR AND PUMP ASSEMBLY



**NEVER LEAVE THE HEATER
UNATTENDED WHILE BURNING!**

15. PARTS LIST (KFA50DGD/80DGD Models Only)

| KEY NO. | DESCRIPTION | PART NO. | | Quantity |
|---------|----------------------------|-----------------------------|-----------------------------|----------|
| | | KFA50DGD | KFA80DGD | |
| 1 | Fuel Tank Assmebly | 2151-0046-01 | 2151-0047-01 | 1 |
| 2 | Fuel Drain-Bolt | - | - | 1 |
| 3 | Fuel Gauge | 2156-0047-00 | 2156-0049-00 | 1 |
| 4 | Fuel Filter Assmby | 2155-0005-00 | 2155-0005-00 | 1 |
| 5 | Fuel Cap | 2151-0041-00 | 2151-0041-00 | 1 |
| 6 | Power Cord | 3980-0274-00 | 3980-0275-00 | 1 |
| 7 | Button Support | 3713-0048-00 | - | 2 |
| 8 | Display P.C.B Assembly | 215A-0013-00 | - | 1 |
| 9 | Shell Lower | 3111-0501-04 | 3111-0501-04 | 1 |
| 10 | Flange Screw | 4319-0015-00 | 4319-0015-00 | 4 |
| 11 | Bushing-Grommet(S) | 3231-0120-00 | 3231-0120-00 | 1 |
| 12 | Bushing-Grommet(L) | 3231-0121-00 | 3231-0121-00 | 2 |
| 13 | Air-Line | 3341-0035-00 | 3341-0035-00 | 1 |
| 14 | Temperature Limit Assembly | 2153-0022-00 | 2153-0013-00 | 1 |
| 15 | Flange-Screw | 4319-0015-00 | 4319-0015-00 | 1 |
| 16 | Chamber Assembly | 2152-0292-00 | 2152-0293-00 | 1 |
| 17 | Bracket Photocell | 3131-0159-00 | 3131-0159-00 | 1 |
| 18 | Screw-BH1 | 4311-0068-00 | 4311-0068-00 | 2 |
| 19 | Photocell Assembly | *SP-KFA1007 | *SP-KFA1007 | 1 |
| 20 | Burner Head Assembly | 2152-0120-00 | 2152-0121-00 | 1 |
| 20-1 | Burner Head | 3531-0026-00 | 3531-0026-00 | 1 |
| 20-2 | Nozzle | *SP-KFA1026 | *SP-KFA1027 | 1 |
| 20-3 | Washer-Nozzle Seal | 4349-0016-00 | 4349-0016-00 | 2 |
| 20-4 | Spring-Nozzle Seal | 3431-0010-00 | 3431-0010-00 | 1 |
| 20-5 | O-Ring | 3311-0002-00 | 3311-0002-00 | 1 |
| 20-6 | Nozzle Adaptor | 3231-0178-00 | 3231-0178-00 | 1 |
| 20-7 | Spark Plug | *SP-KFA1008 | *SP-KFA1008 | 1 |
| 20-8 | Bolt-Flange | 4329-0079-00 | 4329-0079-00 | 1 |
| 21 | Flange Screw | 4319-0015-00 | 4319-0015-00 | 3 |
| 22 | Fuel Line | 3341-0034-00 | 3341-0034-00 | 1 |
| 23 | Motor and Pump Assembly | 2154-0135-00 | 2154-0135-00 | 1 |
| 23-1 | Motor | 3970-0210-00 | 3970-0210-00 | 1 |
| 23-2 | Capacitor | 3820-0257-00 | 3820-0257-00 | 1 |
| 23-3 | Motor Support | 3111-0440-00 | 3111-0440-00 | 1 |
| 23-4 | Nut-Hex | 4331-0022-00 | 4331-0022-00 | 2 |
| 23-5 | Holder Capacitor | - | - | 1 |
| 23-6 | Pump Body | 3541-0022-00 | 3541-0022-00 | 1 |
| 23-7 | Bolt-BH Special | 4321-0198-00 | 4321-0198-00 | 2 |
| 23-8 | Rotor | See SP-KFA1000 ¹ | See SP-KFA1000 ¹ | 1 |
| 23-9 | Blade | See SP-KFA1000 ¹ | See SP-KFA1000 ¹ | 4 |
| 23-10 | Insert | See SP-KFA1000 ¹ | See SP-KFA1000 ¹ | 1 |
| 23-11 | End Pump Cover | 3531-0027-00 | 3531-0027-00 | 1 |
| 23-12 | Elbow | 3231-0181-00 | 3231-0181-00 | 1 |

**NEVER LEAVE THE HEATER
UNATTENDED WHILE BURNING!**

15. PARTS LIST (KFA50DGD/80DGD Models Only)

| KEY NO. | DESCRIPTION | PART NO. | | Quantity |
|---------|--------------------------|-----------------------------|-----------------------------|----------|
| | | KFA50DGD | KFA80DGD | |
| 23-13 | Lint Filter | See SP-KFA1005 ² | See SP-KFA1005 ² | 1 |
| 23-14 | Bolt Flange | 4329-0016-00 | 4329-0016-00 | 6 |
| 23-15 | Output Filter | See SP-KFA1005 ² | See SP-KFA1005 ² | 1 |
| 23-16 | End Filter Cover | 3221-0029-00 | 3221-0029-00 | 1 |
| 23-17 | Ball | See SP-KFA1006 ³ | See SP-KFA1006 ³ | 1 |
| 23-18 | Spring | See SP-KFA1006 ³ | See SP-KFA1006 ³ | 1 |
| 23-19 | Adjusting Screw | See SP-KFA1006 ³ | See SP-KFA1006 ³ | 1 |
| 23-20 | Bolt Flange | 4329-0016-00 | 4329-0016-00 | 4 |
| 23-21 | Intake Filter | See SP-KFA1005 ² | See SP-KFA1005 ² | 1 |
| 24 | Fan Assembly | 2154-0009-00 | 2154-0009-00 | 1 |
| 25 | Bolt Headless Hex Socket | 4323-0004-00 | 4323-0004-00 | 1 |
| 26 | Plug | 3231-0054-00 | 3231-0054-00 | 1 |
| 27 | Main P.C.B Assembly | 215A-0048-00 | 215A-0073-00 | 1 |
| 28 | Screw-TH2S | 4312-0046-00 | 4312-0046-00 | 2 |
| 29 | Ignitor | 39E0-0071-00 | 39E0-0071-00 | 1 |
| 30 | Side Cover-Right | 3121-0496-04 | 3121-0497-25 | 1 |
| 31 | Power Switch | 39A0-0191-00 | 39A0-0191-00 | 1 |
| 32 | Flange Screw | 4319-0015-00 | 4319-0015-00 | 4 |
| 33 | Side Cover-Left | 3121-0190-00 | 3121-0350-00 | 1 |
| 34 | Flange Screw | 4319-0015-00 | 4319-0015-00 | 4 |
| 35 | Shell Upper | 3111-0502-04 | 3111-0502-04 | 1 |
| 36 | Clip Nut | 3131-0182-00 | 3131-0182-00 | 2 |
| 37 | Fan Guard | 3221-0074-00 | 3221-0074-00 | 1 |
| 38 | Flange Screw | 4319-0015-00 | 4319-0015-00 | 8 |
| 39 | Front Guard | 3561-0066-00 | 3561-0066-00 | 1 |

| KEY NO. | DESCRIPTION | PART NO. | | Quantity |
|---------|------------------------|------------|------------|----------|
| | | KFA50DGD | KFA80DGD | |
| 1 | Rotor kit | SP-KFA1000 | SP-KFA1000 | 1 |
| 2 | Filter kit | SP-KFA1005 | SP-KFA1005 | 1 |
| 3 | Plug/Pump adjuster kit | SP-KFA1006 | SP-KFA1006 | 1 |

**FOR TECHNICAL ASSISTANCE SEE YOUR LOCAL RETAILER OR
CONTACT US AT:**

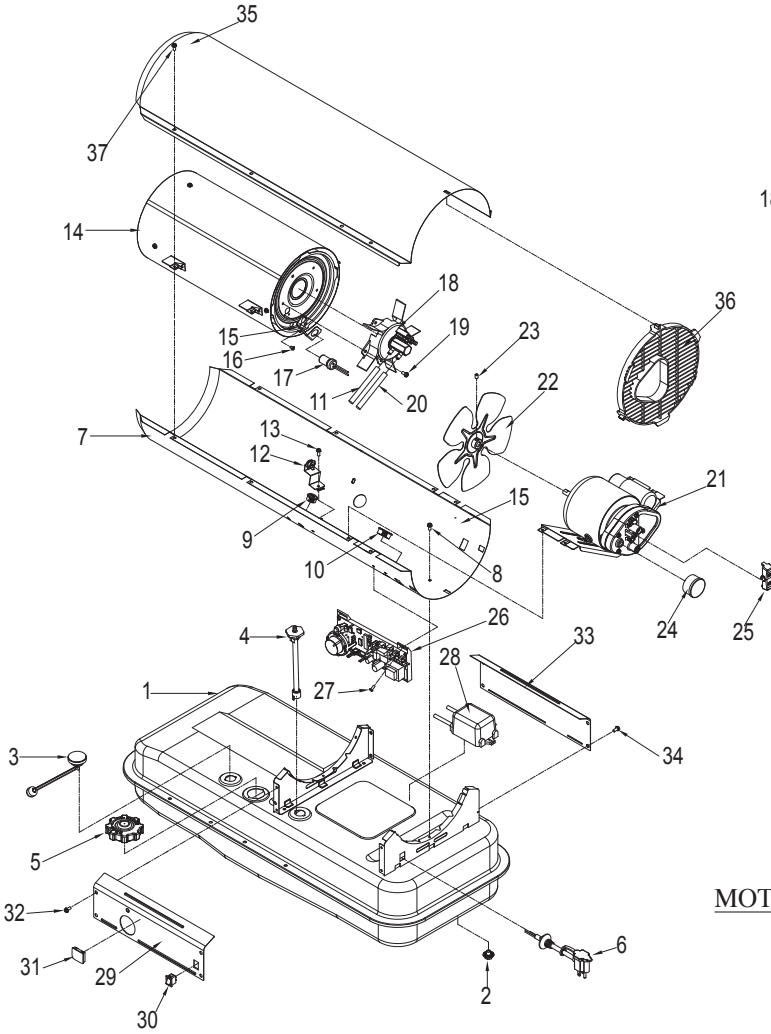
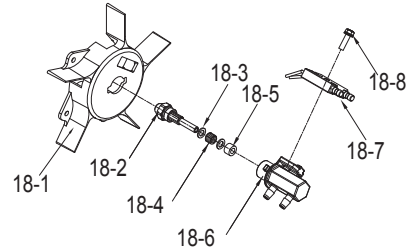
Phone : 1-877-447-4768

**NEVER LEAVE THE HEATER
UNATTENDED WHILE BURNING!**

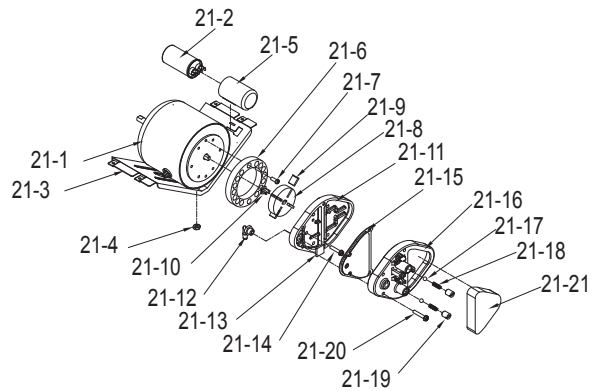
14. EXPLODED PARTS DRAWING (KFA135DGD/180DGD Models Only)

NOTE : SPECIFY MODEL NUMBER AND PART NUMBER WHEN ORDERING PARTS.

BURNER HEAD ASSEMBLY



MOTOR AND PUMP ASSEMBLY



**NEVER LEAVE THE HEATER
UNATTENDED WHILE BURNING!**

15. PARTS LIST (KFA135DGD/180DGD Models Only)

| KEY NO. | DESCRIPTION | PART NO. | | Quantity |
|---------|----------------------------|-----------------------------|-----------------------------|----------|
| | | KFA135DGD | KFA180DGD | |
| 1 | Fuel Tank Assmely | 2151-0048-01 | 2151-0049-01 | 1 |
| 2 | Fuel Drain-Bolt | 4329-0072-00 | 4329-0072-00 | 1 |
| 3 | Fuel Gauge | 2156-0051-00 | 2156-0051-00 | 1 |
| 4 | Fuel Filter Assmby | 2155-0001-00 | 2155-0001-00 | 1 |
| 5 | Fuel Cap | 2151-0041-00 | 2151-0041-00 | 1 |
| 6 | Power Cord | 3980-0275-00 | 3980-0275-00 | 1 |
| 7 | Shell Lower | 3111-0506-04 | 3111-0508-04 | 1 |
| 8 | Flange Screw | 4319-0015-00 | 4319-0015-00 | 4 |
| 9 | Bushing-Grommet(S) | 3231-0120-00 | 3231-0120-00 | 1 |
| 10 | Bushing-Grommet(L) | 3231-0121-00 | 3231-0121-00 | 2 |
| 11 | Air-Line | 3341-0036-00 | 3341-0038-00 | 1 |
| 12 | Temperature Limit Assembly | 2153-0013-00 | 2153-0023-00 | 1 |
| 13 | Flange-Screw | 4319-0015-00 | 4319-0015-00 | 1 |
| 14 | Chamber Assembly | 2152-0294-00 | 2152-0295-00 | 1 |
| 15 | Bracket Photocell | 3131-0159-00 | 3131-0159-00 | 1 |
| 16 | Screw-BH1 | 4311-0068-00 | 4311-0068-00 | 2 |
| 17 | Photocell Assembly | *SP-KFA1007 | *SP-KFA1007 | 1 |
| 18 | Burner Head Assembly | 2152-0122-00 | 2152-0123-00 | 1 |
| 18-1 | Burner Head | 3531-0025-00 | 3531-0024-00 | 1 |
| 18-2 | Nozzle | *SP-KFA1003 | *SP-KFA1004 | 1 |
| 18-3 | Washer-Nozzle Seal | 4349-0016-00 | 4349-0016-00 | 2 |
| 18-4 | Spring-Nozzle Seal | 3431-0010-00 | 3431-0010-00 | 1 |
| 18-5 | O-Ring | 3311-0002-00 | 3311-0002-00 | 1 |
| 18-6 | Nozzle Adaptor | 3231-0179-00 | 3231-0179-00 | 1 |
| 18-7 | Spark Plug | *SP-KFA1009 | *SP-KFA1009 | 1 |
| 18-8 | Bolt-Flange | 4329-0079-00 | 4329-0079-00 | 1 |
| 19 | Flange Screw | 4319-0015-00 | 4319-0015-00 | 3 |
| 20 | Fuel Line | 3341-0032-00 | 3341-0032-00 | 1 |
| 21 | Motor and Pump Assembly | 2154-0141-00 | 2154-0142-00 | 1 |
| 21-1 | Motor | 3970-0211-00 | 3970-0212-00 | 1 |
| 21-2 | Capacitor | 3820-0258-00 | 3820-0258-00 | 1 |
| 21-3 | Motor Support | 3111-0439-00 | 3111-0439-00 | 1 |
| 21-4 | Nut-Hex | 4331-0022-00 | 4331-0022-00 | 2 |
| 21-5 | Holder Capacitor | 3231-0182-00 | 3231-0182-00 | 1 |
| 21-6 | Pump Body | 3541-0022-00 | 3541-0022-00 | 1 |
| 21-7 | Bolt-BH Special | 4321-0198-00 | 4321-0198-00 | 2 |
| 21-8 | Rotor | See SP-KFA1000 ¹ | See SP-KFA1000 ¹ | 1 |
| 21-9 | Blade | See SP-KFA1000 ¹ | See SP-KFA1000 ¹ | 4 |
| 21-10 | Insert | See SP-KFA1000 ¹ | See SP-KFA1000 ¹ | 1 |
| 21-11 | End Pump Cover | 3531-0027-00 | 3531-0027-00 | 1 |
| 21-12 | Elbow | 3231-0181-00 | 3231-0181-00 | 1 |
| 21-13 | Lint Filter | See SP-KFA1005 ² | See SP-KFA1005 ² | 1 |
| 21-14 | Bolt Flange | 4329-0016-00 | 4329-0016-00 | 6 |

**NEVER LEAVE THE HEATER
UNATTENDED WHILE BURNING!**

15. PARTS LIST (KFA135DGD/180DGD Models Only)

| KEY NO. | DESCRIPTION | PART NO. | | Quantity |
|---------|--------------------------|-----------------------------|-----------------------------|----------|
| | | KFA135DGD | KFA180DGD | |
| 21-15 | Output Filter | See SP-KFA1005 ² | See SP-KFA1005 ² | 1 |
| 21-16 | End Filter Cover | 3221-0076-00 | 3221-0076-00 | 1 |
| 21-17 | Ball | See SP-KFA1010 ³ | See SP-KFA1010 ³ | 2 |
| 21-18 | Spring | See SP-KFA1010 ³ | See SP-KFA1010 ³ | 2 |
| 21-19 | Adjusting Screw | See SP-KFA1010 ³ | See SP-KFA1010 ³ | 2 |
| 21-20 | Bolt Flange | 4329-0016-00 | 4329-0016-00 | 4 |
| 21-21 | Intake Filter | See SP-KFA1005 ² | See SP-KFA1005 ² | 1 |
| 22 | Fan Assembly | 2154-0004-00 | 2154-0007-00 | 1 |
| 23 | Bolt Headless Hex Socket | 4323-0004-00 | 4323-0004-00 | 1 |
| 24 | Pressure Gauge | 3740-0049-00 | 3740-0049-00 | 1 |
| 25 | BTU Control Switch | 2154-0070-00 | 2154-0070-00 | 1 |
| 26 | Main P.C.B Assembly | 215A-0074-00 | 215A-0074-00 | 1 |
| 27 | Screw-TH2S | 4312-0046-00 | 4312-0046-00 | 2 |
| 28 | Ignitor | 39E0-0071-00 | 39E0-0071-00 | 1 |
| 29 | Side Cover-Right | 3121-0498-17 | 3121-0499-34 | 1 |
| 30 | Power Switch | 39A0-0191-00 | 39A0-0191-00 | 1 |
| 31 | Window Display | 3231-0113-00 | 3231-0113-00 | 1 |
| 32 | Flange Screw | 4319-0015-00 | 4319-0015-00 | 4 |
| 33 | Side Cover-Left | 3121-0352-00 | 3121-0354-00 | 1 |
| 34 | Flange Screw | 4319-0015-00 | 4319-0015-00 | 4 |
| 35 | Shell Upper | 3111-0507-04 | 3111-0509-04 | 1 |
| 36 | Fan Guard | 3221-0075-00 | 3221-0075-00 | 1 |
| 37 | Flange Screw | 4319-0015-00 | 4319-0015-00 | 8 |

| KEY NO. | DESCRIPTION | PART NO. | | Quantity |
|---------|------------------------|------------|------------|----------|
| | | KFA135DGD | KFA180DGD | |
| 1 | Rotor kit | SP-KFA1000 | SP-KFA1000 | 1 |
| 2 | Filter kit | SP-KFA1005 | SP-KFA1005 | 1 |
| 3 | Plug/Pump adjuster kit | SP-KFA1010 | SP-KFA1010 | 2 |

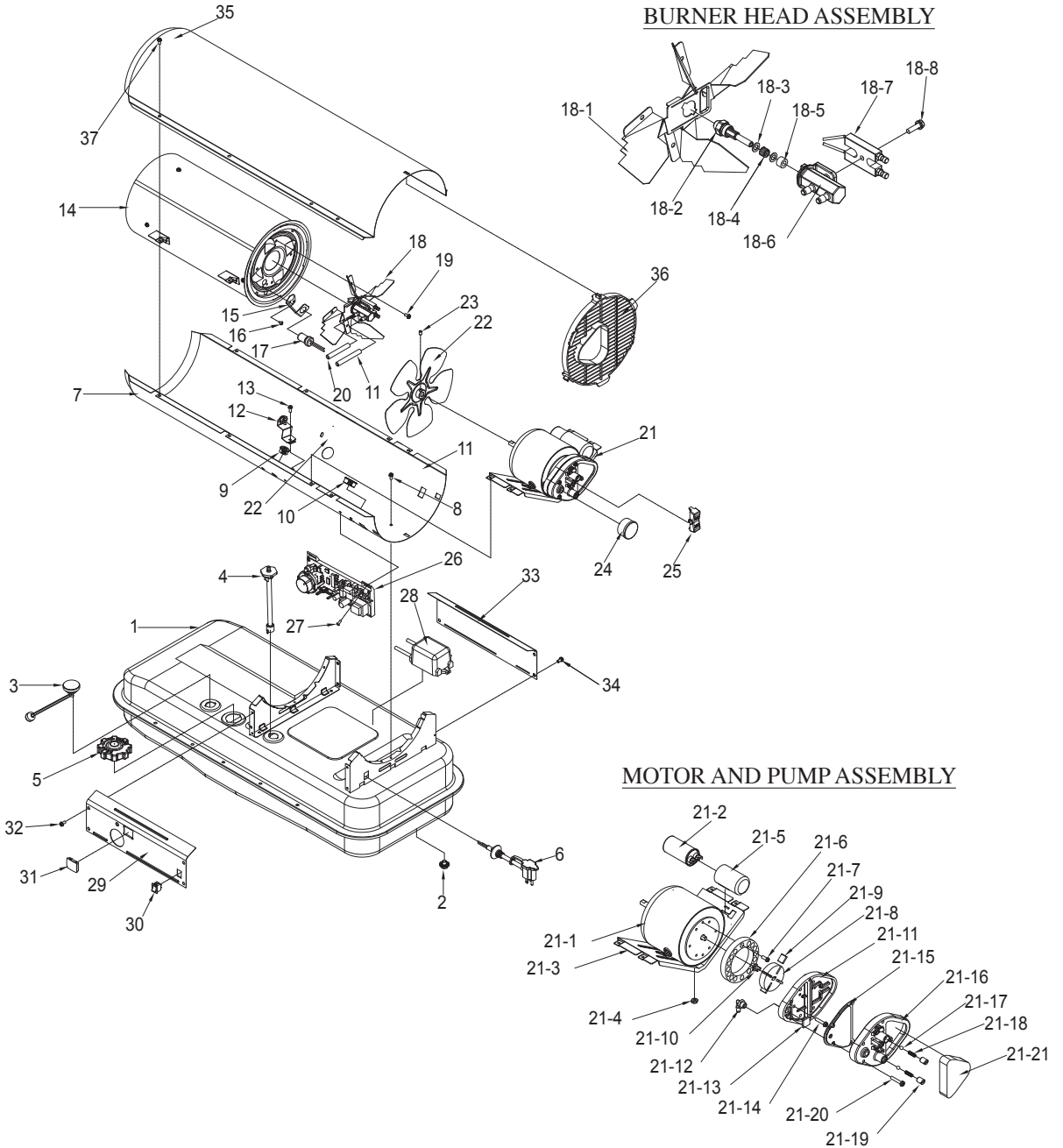
FOR TECHNICAL ASSISTANCE SEE YOUR LOCAL RETAILER OR
CONTACT US AT:

Phone : 1-877-447-4768

**NEVER LEAVE THE HEATER
UNATTENDED WHILE BURNING!**

14. EXPLODED PARTS DRAWING (KFA220DGD Model Only)

NOTE : SPECIFY MODEL NUMBER AND PART NUMBER WHEN ORDERING PARTS.



**NEVER LEAVE THE HEATER
UNATTENDED WHILE BURNING!**

15. PARTS LIST (KFA220DGD Model Only)

| KEY NO. | DESCRIPTION | PART NO. | Quantity |
|---------|----------------------------|-----------------------------|----------|
| | | KFA220DGD | |
| 1 | Fuel Tank Assmebly | 2151-0049-01 | 1 |
| 2 | Fuel Drain-Bolt | 4329-0072-00 | 1 |
| 3 | Fuel Gauge | 2156-0052-00 | 1 |
| 4 | Fuel Filter Assmby | 2155-0001-00 | 1 |
| 5 | Fuel Cap | 2151-0041-00 | 1 |
| 6 | Power Cord | 3980-0275-00 | 1 |
| 7 | Shell Lower | 3111-0504-04 | 1 |
| 8 | Flange Screw | 4319-0015-00 | 4 |
| 9 | Bushing-Grommet(S) | 3231-0120-00 | 1 |
| 10 | Bushing-Grommet(L) | 3231-0121-00 | 2 |
| 11 | Air-Line | 3341-0036-00 | 1 |
| 12 | Temperature Limit Assembly | 2153-0005-00 | 1 |
| 13 | Flange-Screw | 4319-0015-00 | 1 |
| 14 | Chamber Assembly | 2152-0302-00 | 1 |
| 15 | Bracket Photocell | 3131-0159-00 | 1 |
| 16 | Screw-BH1 | 4311-0068-00 | 2 |
| 17 | Photocell Assembly | *SP-KFA1007 | 1 |
| 18 | Burner Head Assembly | 2152-0124-00 | 1 |
| 18-1 | Bracket Burner | 3121-0477-00 | 1 |
| 18-2 | Nozzle | *SP-KFA1011 | 1 |
| 18-3 | Washer-Nozzle Seal | 4349-0016-00 | 1 |
| 18-4 | Spring-Nozzle Seal | 3431-0010-00 | 1 |
| 18-5 | O-Ring | 3311-0002-00 | 1 |
| 18-6 | Nozzle Adaptor | 3231-0180-00 | 1 |
| 18-7 | Spark Plug | *SP-KFA1021 | 1 |
| 18-8 | Bolt-Flange | 4329-0079-00 | 1 |
| 19 | Flange Screw | 4319-0015-00 | 4 |
| 20 | Fuel Line | 3341-0039-00 | 1 |
| 21 | Motor and Pump Assembly | 2154-0137-00 | 1 |
| 21-1 | Motor | 3970-0213-00 | 1 |
| 21-2 | Capacitor | 3820-0258-00 | 1 |
| 21-3 | Supportor Motor | 3111-0439-00 | 1 |
| 21-4 | Nut-Hex | 4331-0022-00 | 2 |
| 21-5 | Holder Capacitor | 3231-0182-00 | 1 |
| 21-6 | Pump Body | 3541-0050-00 | 1 |
| 21-7 | Bolt-BH Special | 4321-0198-00 | 2 |
| 21-8 | Rotor | See SP-KFA1022 ¹ | 1 |
| 21-9 | Blade | See SP-KFA1022 ¹ | 4 |
| 21-10 | Insert | See SP-KFA1022 ¹ | 1 |
| 21-11 | End Pump Cover | 3531-0027-00 | 1 |
| 21-12 | Elbow | 3231-0181-00 | 1 |
| 21-13 | Lint Filter | See SP-KFA1005 ² | 1 |
| 21-14 | Bolt Flange | 4329-0016-00 | 6 |

**NEVER LEAVE THE HEATER
UNATTENDED WHILE BURNING!**

15. PARTS LIST (KFA220DGD Model Only)

| KEY NO. | DESCRIPTION | PART NO. | Quantity |
|---------|--------------------------|-----------------------------|----------|
| | | KFA220DGD | |
| 21-15 | Output Filter | See SP-KFA1005 ² | 1 |
| 21-16 | End Filter Cover | 3221-0076-00 | 1 |
| 21-17 | Ball | See SP-KFA1010 ³ | 2 |
| 21-18 | Spring | See SP-KFA1010 ³ | 2 |
| 21-19 | Adjusting Screw | See SP-KFA1010 ³ | 2 |
| 21-20 | Bolt Flange | 4329-0016-00 | 4 |
| 21-21 | Intake Filter | See SP-KFA1005 ² | 1 |
| 22 | Fan Assembly | 2154-0007-00 | 1 |
| 23 | Bolt Headless Hex Socket | 4323-0004-00 | 1 |
| 24 | Pressure Gauge | 3740-0049-00 | 1 |
| 25 | BTU Control Switch | 2154-0070-00 | 1 |
| 26 | Main P.C.B Assembly | 215A-0074-00 | 1 |
| 27 | Screw-TH2S | 4312-0046-00 | 2 |
| 28 | Ignitor | 39E0-0071-00 | 1 |
| 29 | Side Cover-Right | 3121-0499-35 | 1 |
| 30 | Power Switch | 39A0-0191-00 | 1 |
| 31 | Window Display | 3231-0113-00 | 1 |
| 32 | Flange Screw | 4319-0015-00 | 4 |
| 33 | Side Cover-Left | 3121-0354-00 | 1 |
| 34 | Flange Screw | 4319-0015-00 | 4 |
| 35 | Shell Upper | 3111-0505-04 | 1 |
| 36 | Fan Guard | 3221-0075-00 | 1 |
| 37 | Flange Screw | 4319-0015-00 | 8 |

| KEY NO. | DESCRIPTION | PART NO. | Quantity |
|---------|------------------------|------------------|----------|
| | | KFA220DGD | |
| 1 | Rotor kit | SP-KFA1022 | 1 |
| 2 | Filter kit | SP-KFA1005 | 1 |
| 3 | Plug/Pump adjuster kit | SP-KFA1010 | 2 |

**FOR TECHNICAL ASSISTANCE SEE YOUR LOCAL RETAILER OR
CONTACT US AT:**

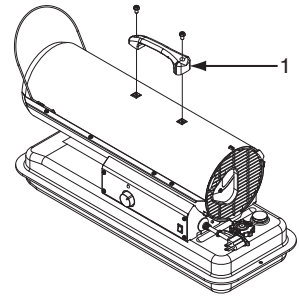
Phone : 1-877-447-4768

NEVER LEAVE THE HEATER UNATTENDED WHILE BURNING!

15. PARTS LIST (WHEELS AND HANDLE)

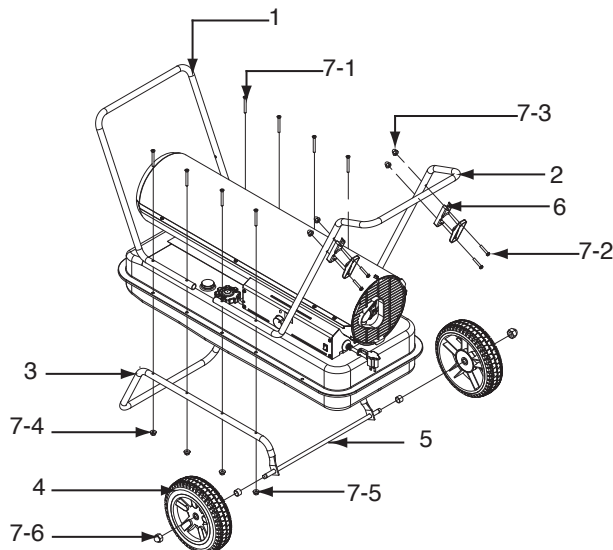
1) KFA50DGD/80DGD MODELS

| KEY NO. | DESCRIPTION | PART NO. | | Quantity |
|---------|-------------|--------------|--------------|----------|
| | | KFA50DGD | KFA80DGD | |
| 1 | Handle | 3231-0073-00 | 3231-0073-00 | 1 |



2) KFA135DGD/180DGD/220DGD MODELS

| KEY NO. | DESCRIPTION | PART NO. | | Quantity |
|---------|---------------------|--------------------------|--------------------------|----------|
| | | KFA135DGD | KFA180DGD/220DGD | |
| 1 | Front Handle | 3551-0023-00 | 3551-0022-00 | 1 |
| 2 | Rear Handle | 3551-0096-00 | 3551-0097-00 | 1 |
| 3 | Wheel Support Frame | 3551-0082-00 | 3551-0084-00 | 1 |
| 4 | Wheel | 3720-0017-00 | 3720-0017-00 | 2 |
| 5 | Threaded Axle | 3551-0088-00 | 3551-0089-00 | 1 |
| 6 | Cord Wrap | 3221-0042-00 | 3221-0042-00 | 2 |
| 7 | Hardware Kit | HW-KFA1016 | HW-KFA1016 | 1 |
| 7-1 | Screw | INCLUDED IN HARDWARE KIT | INCLUDED IN HARDWARE KIT | 8 |
| 7-2 | Flange Screw | INCLUDED IN HARDWARE KIT | INCLUDED IN HARDWARE KIT | 4 |
| 7-3 | Cap Nut S | INCLUDED IN HARDWARE KIT | INCLUDED IN HARDWARE KIT | 4 |
| 7-4 | Nut | INCLUDED IN HARDWARE KIT | INCLUDED IN HARDWARE KIT | 8 |
| 7-5 | Bushing | INCLUDED IN HARDWARE KIT | INCLUDED IN HARDWARE KIT | 2 |
| 7-6 | Cap Nut L | INCLUDED IN HARDWARE KIT | INCLUDED IN HARDWARE KIT | 2 |



Warranty

LIMITED WARRANTY:

This limited warranty is extended to the original retail purchaser of this Forced Air/Convection/Radiant Heater and warrants against any defect in materials and workmanship for a period of one (1) year from the date of retail sale. GHP Group, Inc., at its option, will either provide replacement parts or replace or repair the unit, when properly returned to the retailer where purchased or one of our service centers as directed by GHP Group, Inc., within one (1) year of retail purchase. (Shipping costs, labour costs, etc. are the responsibility of the purchaser.)

DUTIES OF THE OWNER:

This heating appliance must be operated in accordance with the written instructions furnished with this heater. This warranty shall not excuse the owner from properly maintaining this heater in accordance with the written instructions furnished with this heater. A bill of sale, canceled check or payment record must be kept to verify purchase data and establish warranty period. Original carton should be kept in case of warranty return of unit.

WHAT IS NOT COVERED:

1. Damage resulting from use of improper fuel.
2. Damage caused by misuse or use contrary to the owners manual and safety guidelines.
3. Damage caused by a lack of normal maintenance.
4. Fuses
5. Use of non-standard parts or accessories.
6. Damage caused in transit. Freight charges on warranty parts or heaters to and from the factory shall be the responsibility of the owner.

This warranty does not imply or assume any responsibility for consequential damages that may result from the use, misuse, or the lack of routine maintenance of this heating appliance. A cleaning fee and the cost of parts may be charged for appliance failures resulting from lack of maintenance. This warranty does not cover claims which do not involve defective workmanship or materials. **FAILURE TO PERFORM GENERAL MAINTENANCE (INCLUDING CLEANING) WILL VOID THIS WARRANTY.**

THIS LIMITED WARRANTY IS GIVEN TO THE PURCHASER IN LIEU OF ALL OTHER WARRANTIES, EXPRESSED OR IMPLIED, INCLUDING BUT NOT LIMITED TO THE WARRANTIES OF MERCHANTABILITY OF FITNESS FOR A PARTICULAR PURPOSE. THE REMEDY PROVIDED IN THIS WARRANTY IS EXCLUSIVE AND IS GRANTED IN LIEU OF ALL OTHER REMEDIES. IN NO EVENT WILL GHP GROUP, INC. BE LIABLE FOR INCIDENTAL OR CONSEQUENTIAL DAMAGES.

Some states do not allow limitations on how long an implied warranty lasts, so the above limitation may not apply to you. Some states do not allow the exclusion or limitation of incidental or consequential damages so the above limitation or exclusion may not apply to you.

CLAIMS HANDLED AS FOLLOWS:

1. Contact your retailer and explain the problem.
2. If the retailer is unable to resolve the problem, contact our Customer Service Dept. detailing the heater model, the problem, and proof of date of purchase.
3. A representative will contact you. DO NOT RETURN THE HEATER TO GHP GROUP, INC. unless instructed by our Representative. This warranty gives you specific legal rights and you may also have other rights which vary from state to state.

TO REGISTER THE WARRANTY ON YOUR HEATER, PLEASE FILL OUT THIS CARD COMPLETELY
AND MAIL WITHIN 14 DAYS FROM DATE OF PURCHASE OR REGISTER ON-LINE AT www.ghpgroupinc.com

NAME: _____ PHONE: () _____ EMAIL: _____
ADDRESS: _____ CITY: _____ STATE: _____ ZIP: _____
MODEL: _____ SERIAL#: _____ DATE PURCHASED: _____
DEALER PURCHASED FROM: _____ TYPE OF STORE: _____
CITY & STATE WHERE PURCHASED: _____ PRICE PAID: _____

Please Take 1 Minute To Give Us Your Answers To The Following Questions.
All Responses Used Solely For Market Research And Are Held In Strict Confidence.

Who primarily decided this purchase? Male Female 18-24 25-39 40-59 60 and over of age?
Do you own any other portable heaters? Yes No If yes, type _____ brand _____
How do you intend to use your new heater? Construction Site Farm Warehouse/Commercial Garage/Outbuilding Other
How did you become aware of this heater? In-Store Display Newspaper Ad Magazine Ad Friend/Relative
 TV Commercial Store Salesperson Other _____
What made you select this heater? Style Size/Portability Price Package Brand Other _____
Do you: Own Rent Would you recommend this heater to a friend? Yes No
Please give us your comments _____

THANK YOU FOR COMPLETING THIS FORM!
Information will be held confidential.

WARRANTY REGISTRATION

IMPORTANT: We urge you to fill out your warranty registration card within fourteen (14) days of date of purchase. You can also register your warranty on the internet at www.ghpgroupinc.com. Complete the entire serial number. Retain this portion of the card for your records.



GHP Group, Inc.
6440 W Howard St
Niles, IL 60714-3302

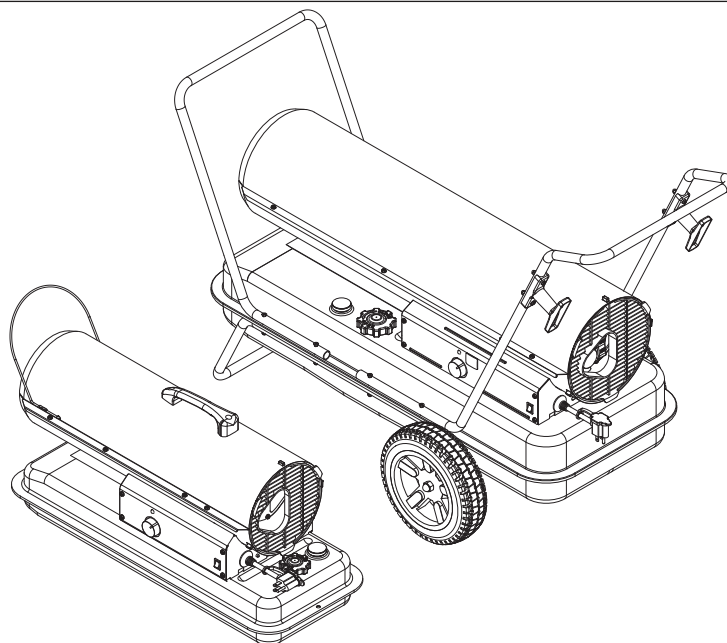
Tel: (877) 447-4768
www.ghpgroupinc.com

SAVE THIS CARD!

Place
Postage
Stamp
Here

GHP Group, Inc.
6440 W Howard St
Niles, IL 60714-3302

PRODUCTOS PARA INTERIORES/EXTERIORES
CALENTADORES PORTÁTILES
DE AIRE FORZADO DE QUEROSÉN
**MANUAL DEL USUARIO
E INSTRUCCIONES PARA
EL FUNCIONAMIENTO**



CUMPLE CON UL733
Y ANSI A10.10-1998
CAN/CSA/B140.0-03
Y CSA B140.8-1967



**MODELO: KFA50DGD, KFA80DGD, KFA135DGD
KFA180DGD, KFA220DGD**

Antes de utilizar por primera vez este calentador, lea este MANUAL DEL USUARIO atentamente. Este MANUAL DEL USUARIO ha sido diseñado para instruirle la forma adecuada de ensamblar el calentador, brindarle mantenimiento, guardarlo y lo más importante: cómo hacerlo funcionar de manera segura y eficaz. Conserve este manual para referencia futura.

CONSUMIDOR: Conserve este manual para referencia futura.

¿Preguntas, problemas, partes faltantes? Antes de regresar al distribuidor, llame a nuestro departamento de servicio al 877-447-4768 de 8:30 a.m. a 4:30 p.m. hora estándar del centro, de lunes a viernes o envíenos un correo electrónico a customerservice@ghpgroupinc.com.

**¡NUNCA DEJE EL CALENTADOR
DESATENDIDO CUANDO ESTÉ ENCENDIDO!**

⚠ PELIGRO: EL USO INADECUADO DE ESTE CALENTADOR PUEDE OCASIONAR LESIONES SERIAS O LA MUERTE POR QUEMADURAS, FUEGO, EXPLOSIÓN, DESCARGA ELÉCTRICA Y/O ENVENENAMIENTO POR MONÓXIDO DE CARBONO.

⚠ ADVERTENCIA:

1. ¡RIESGO DE CONTAMINACIÓN DE AIRE EN INTERIORES!

- **Utilice este calentador sólo en áreas bien ventiladas.** Proporcione al menos un espacio de tres pies cuadrados (2.800 cm²) de aire puro externo por cada 100.000 BTH/h de rendimiento de salida.
- Las personas con problemas respiratorios deben consultar con un médico antes de utilizar el calentador.
- **Envenenamiento con monóxido de carbono:** Los síntomas de envenenamiento con monóxido de carbono se parecen a los de la influenza, con dolores de cabeza, mareos y/o náuseas. Si tiene estos síntomas, puede que el calentador no esté funcionando adecuadamente. **¡Trasládese al aire libre inmediatamente!** Haga revisar el calentador. A algunas personas les afecta más el monóxido de carbono que a otras. Estas incluyen las mujeres embarazadas, personas con enfermedades del corazón o los pulmones o anemia, quienes están bajo la influencia del alcohol o en lugares a gran altura.
- Nunca utilice este calentador en áreas habitables o utilizadas como dormitorio.

2. RIESGO DE QUEMADURAS/INCENDIO/EXPLOSIÓN

- **NUNCA** utilice ningún otro combustible distinto del querosén 1-K, #1 / #2 Diésel / Gasolina, JET A o JP-8 funcionan en este calentador.
- **NUNCA** utilice combustibles tales como gasolina, benceno, diluyentes de pintura u otros compuestos de aceite en este calentador. **(RIESGO DE INCENDIO O EXPLOSIÓN)**
- **NUNCA** utilice este calentador donde puedan estar presentes vapores inflamables.
- **NUNCA** rellene el tanque de combustible del calentador mientras esté funcionando o esté aún caliente.

⚠ PRECAUCIÓN: Caliente mientras está en funcionamiento. No toque. Mantenga alejados del calentador a los niños, la ropa y los combustibles. Separación mínima: Salida: 8 pies (250cm) / de los costados, parte superior y trasera: 4 pies (125cm)

- **NUNCA** bloquee la entrada de aire (trasera) ni la salida de aire (frontal) del calentador.
- **NUNCA** coloque redes de conductos al frente o detrás del calentador.
- **NUNCA** mueva o manipule el calentador mientras está caliente, operando o enchufado.
- **NUNCA** transporte el calentador con combustible en el tanque.
- Cuando se utiliza con un termostato opcional o si está equipado con un termostato, el calentador puede encenderse en cualquier momento.
- **SIEMPRE** ubique el calentador en una superficie estable y nivelada.
- **SIEMPRE** mantenga a los niños y los animales apartados del calentador.
- El almacenaje de combustible por volumen debe estar mínimo a 25 pies (7,6 m) de los calentadores, antorchas, generadores portátiles u otras fuentes de ignición. Todo el almacenaje de combustible debe realizarse de acuerdo con las autoridades federales, estatales o locales que tengan jurisdicción.

3. ¡RIESGO DE DESCARGA ELÉCTRICA!

- Utilice únicamente la corriente eléctrica (voltaje y frecuencia) especificada en la placa del modelo del calentador.
- Utilice únicamente un tomacorriente de tres patas, con conexión a tierra y cable de extensión.
- **SIEMPRE** instale el calentador de forma que no quede directamente expuesto al rocío del agua, lluvia, goteo de agua o viento.
- **SIEMPRE** desenchufe el calentador cuando no esté en uso.

⚠ ADVERTENCIA: Este producto y el combustible utilizado para poner en funcionamiento este producto (kerosén o otros combustibles aprobados), y los productos de la combustión de tal combustible, pueden exponerlo a sustancias químicas como el benceno que, según el estado de California, puede provocar cáncer y daños reproductivos.

Para obtener más información, visite www.p65Warnings.ca.gov

RESIDENTES DE MASSACHUSETTS: La ley del estado de Massachusetts prohíbe el uso de este calentador en cualquier edificio que se utilice total o parcialmente para vivienda humana. El uso de este dispositivo de calefacción en Massachusetts requiere el permiso del Dpto. de Bomberos local (M.E.L.C., sección 10A)

RESIDENTES DE CANADÁ: El uso de este calentador deberá conformarse con las autoridades que tengan jurisdicción y con la Norma CSA B139.

RESIDENTES DE LA CIUDAD DE NUEVA YORK: Para uso únicamente en las obras en construcción de conformidad con la normativa NYC aplicable bajo el certificado de aprobación NYCFD N° 5034 y 5037.

**¡NUNCA DEJE EL CALENTADOR
DESATENDIDO CUANDO ESTÉ ENCENDIDO!**

CONTENIDO DEL MANUAL DEL USUARIO

| <u>ARTÍCULO</u> | <u>PÁGINA N°</u> |
|---|-------------------|
| PRECAUCIONES – GUÍA DE SEGURIDAD | 1 |
| 1. INTRODUCCIÓN | 2 |
| 2. CARACTERÍSTICAS | 2 |
| 3. CÓMO DESEMPACAR Y ENSAMBLAR..... | 4 |
| 4. SELECCIÓN DEL COMBUSTIBLE | 6 |
| 5. OVERVIEW OF HEATER DESIGN | 7 |
| 6. CÓMO COLOCAR COMBUSTIBLE EN SU CALENTADOR | 8 |
| 7. FUNCIONAMIENTO | 8 |
| 8. ALMACENAJE DEL CALENTADOR A LARGO PLAZO..... | 9 |
| 9. MANTENIMIENTO..... | 10 |
| 10. REEMPLAZO DEL FUSIBLE..... | 14 |
| 11. GUÍA PARA LA LOCALIZACIÓN Y SOLUCIÓN DE PROBLEMAS | 15 |
| 12. DIAGRAMA DE CABLEADO..... | 16 |
| 13. ESPECIFICACIONES..... | 17 |
| 14. PLANO DE DESPIECE | 18&21&24 |
| 15. LISTA DE PIEZAS | 19,20&22,23&25,26 |

1. INTRODUCCIÓN

Lea este MANUAL DEL USUARIO atentamente. El mismo le indicará como ensamblar, brindar mantenimiento y operar el calentador de forma segura y eficaz para obtener todos los beneficios de sus diversas funciones.

2. CARACTERÍSTICAS

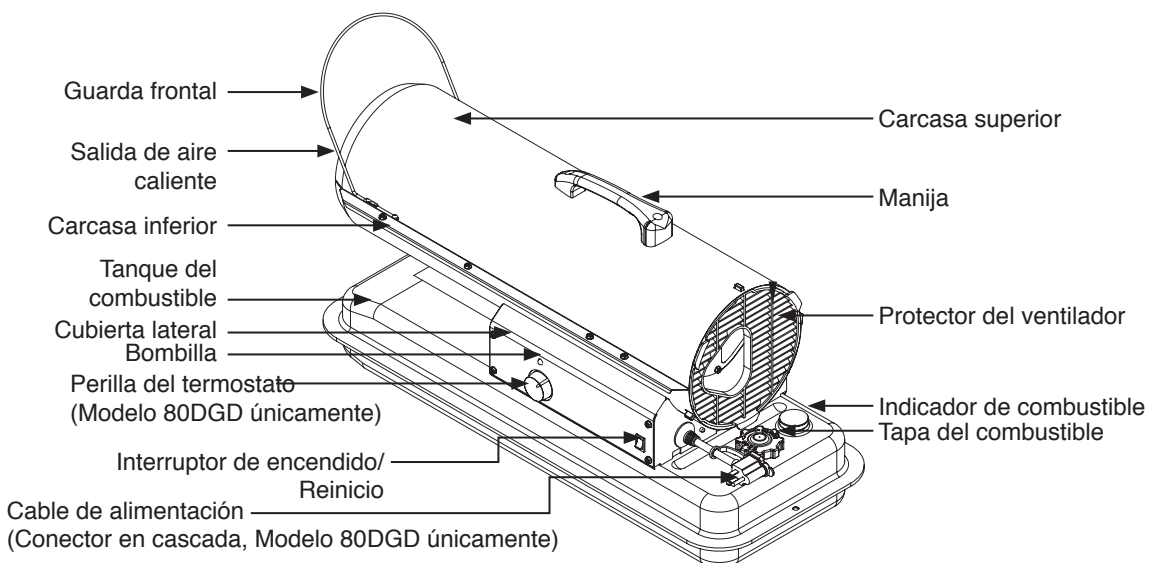


Figura 1. MODELOS KFA50DGD/80DGD

**¡NUNCA DEJE EL CALENTADOR
DESATENDIDO CUANDO ESTÉ ENCENDIDO!**

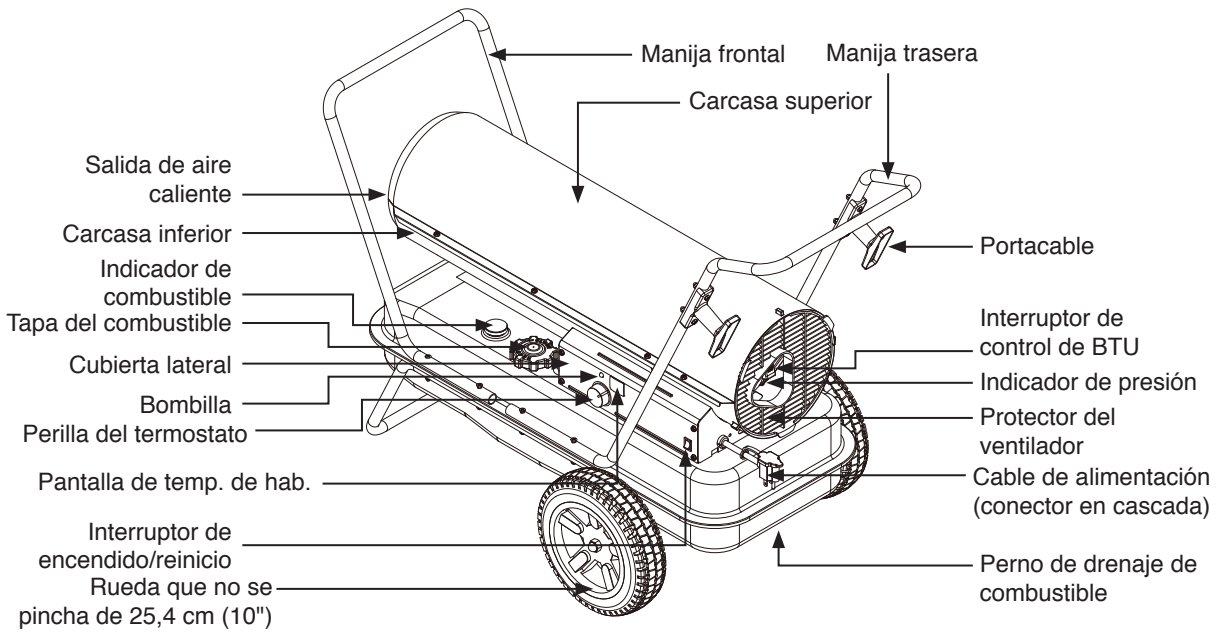


Figura 2. MODELO KFA135DGD

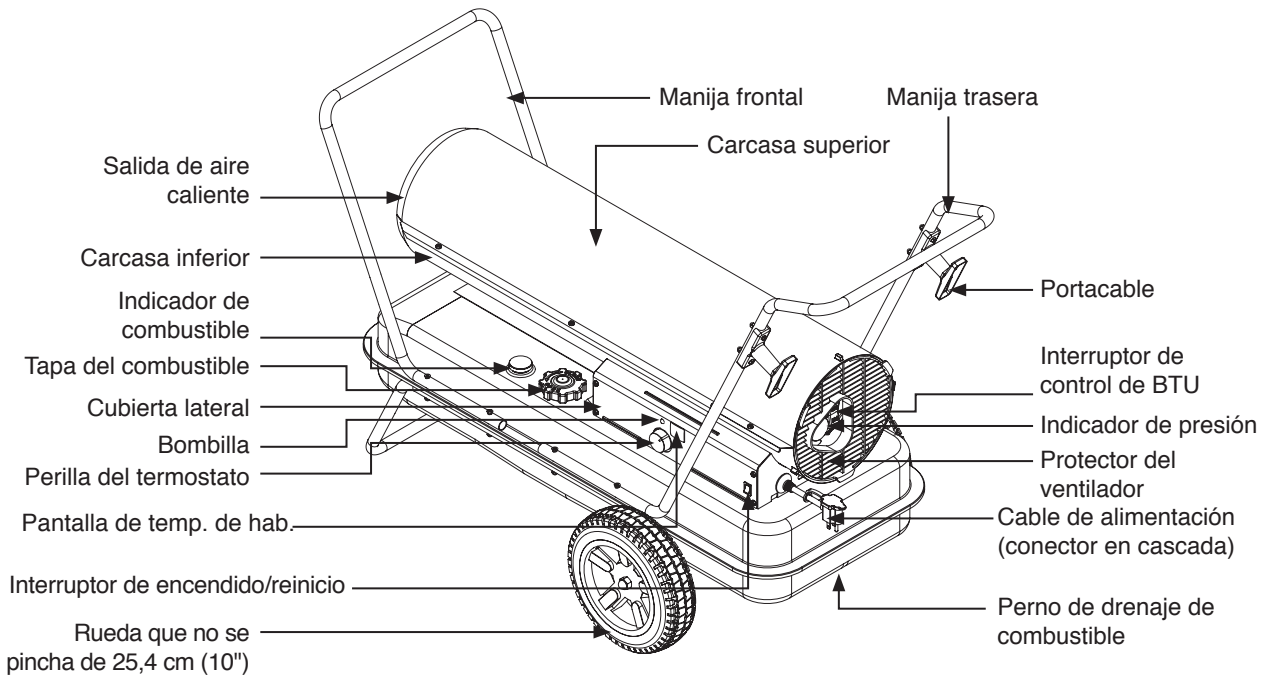


Figura 3. MODELOS KFA180/220DGD

**¡NUNCA DEJE EL CALENTADOR
DESATENDIDO CUANDO ESTÉ ENCENDIDO!**

3. **CÓMO DESEMPACAR Y ENSAMBLAR**

1. **RETIRE EL CALENTADOR Y TODOS LOS MATERIALES DE EMPAQUE DE LA CAJA. (Fig. 4 y 5)**

NOTA: Guarde esta caja y los materiales de embalaje para almacenaje futuro.

| | KFA50DGD KFA80DGD | KFA135DGD | KFA180DGD KFA220DGD |
|-------------------------------------|------------------------------|------------------|--------------------------------|
| Estructura de soporte de las ruedas | No | Si | Si |
| Rueda | No | Si | Si |
| Eje roscado | No | Si | Si |
| Manija frontal | No | Si | Si |
| Manija trasera | No | Si | Si |
| Manija | Si | No | No |
| Portable | No | Si | Si |
| Kit de herrajes : HW-KFA1016 | No | Si | Si |

Figura 4. MODELOS KFA50DGD/80DGD

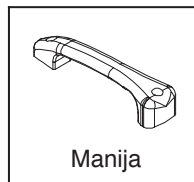
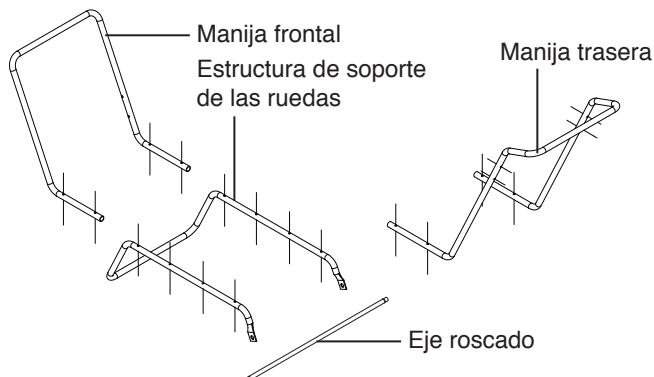
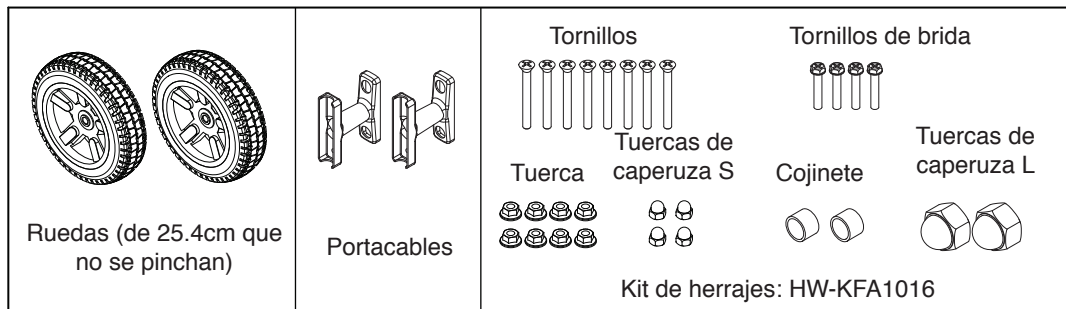


Figura 5. MODELOS KFA135/180/220DGD



**¡NUNCA DEJE EL CALENTADOR
DESATENDIDO CUANDO ESTÉ ENCENDIDO!**

2. ENSAMBLAJE

**Para los modelos KFA50DGD/80DGD únicamente
(El tiempo de montaje para este producto es 3 minutos)**

Herramientas necesarias

- Destornillador de estrella mediano.
- 1) Levante la guarda frontal en la dirección de la flecha y cerciórese de que la porción encajada quepa en el agujero en la carcasa superior.
 - 2) Retirar los tornillos previamente ensamblados en las coberturas posterior y lateral.
 - 3) Fije la manija con los tornillos que se suministran.
 - 4) Asegurar la manija con los tornillos que han sido retirados.

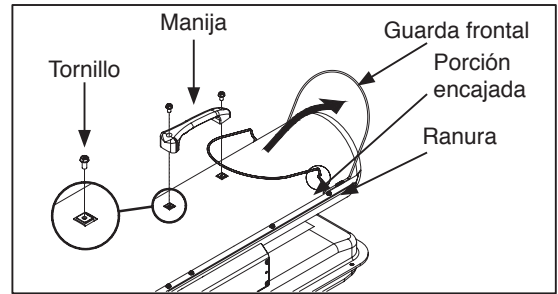


Figura 6. Ensamblado de la Manija

**Sólo para los modelos KFA135/180/220DGD
(El tiempo estimado de ensamblaje de este producto es de 10 minutos)**

Herramientas necesarias

- Destornillador de estrella mediano.
 - Dado de 3/4" o llave inglesa
- 1) Pase el eje roscado por la sección posterior del estructura de soporte de las ruedas.
 - 2) Deslice un conector de eje en cada lado del eje. Deslice una rueda en cada lado del eje. Fije un capuchón en cada lado del eje roscado y apriete bien.
 - 3) Coloque el calentador en la estructura de soporte de las ruedas. Alinee los agujeros en la brida del tanque de combustible con los agujeros en la estructura de soporte de las
 - 4) Coloque las manijas sobre la brida del tanque de combustible. Inserte los tornillos a través de las manijas, de la brida del tanque de combustible y de las estructuras de soporte de las ruedas como se ilustra en la Figura 7 y fije la tuerca ajustándola con los dedos después de insertar cada tornillo.
 - 5) Alinee el agujero de las manijas con el de montaje en el portacable. Inserte los tornillos a través del portacable, manijas y fije apretando con los dedos después de insertar cada tornillo.
 - 6) Después de que estén insertados todos los tornillos, apriete las tuercas firmemente.

**¡NUNCA DEJE EL CALENTADOR
DESATENDIDO CUANDO ESTÉ ENCENDIDO!**

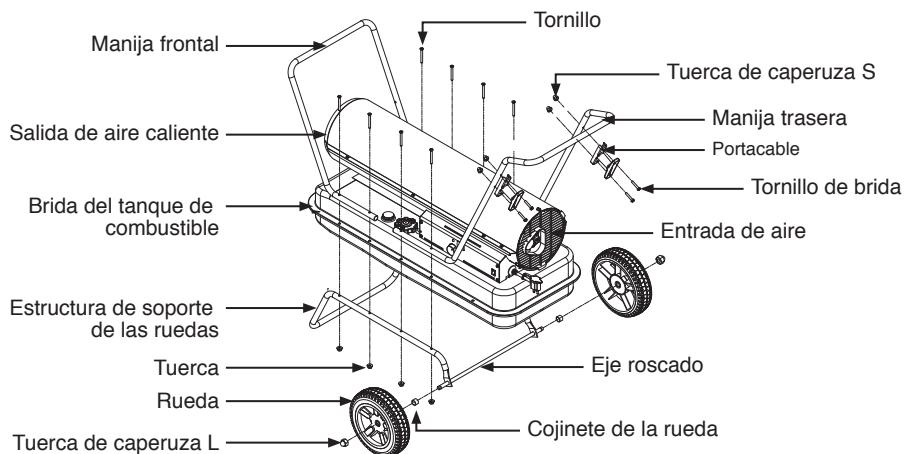


Figura 7. Ensamblado de la Manija, la Rueda y la Envoltura del Cordón

⚠ PRECAUCIÓN: NO OPERE el calentador sin la estructura de soporte ensamblada al tanque.

NOTA: El calentador debe inspeccionarse antes de cada uso y al menos anualmente por un técnico de servicio calificado.

4. SELECCIÓN DEL COMBUSTIBLE:

1. Todos los modelos pueden usar 7 combustibles diferentes: kerosén 1-K, fueloil n.º 1 diesel n.º 1, fueloil n.º 2, diesel n.º 2, JET A, JP-8
2. El kerosén 1-K se recomienda para una combustión y rendimiento óptimos, y para menos mantenimiento. El K1 también es la opción de combustible óptima en temperaturas extremadamente bajas de 15 °F o menos, ya que su punto de fluidez/"punto de gel" varía dependiendo de la refinería, pero siempre está muy por debajo de las temperaturas más bajas alcanzadas en Norteamérica
3. El JET A y el JP-8 también son excelentes opciones para una combustión limpia, mantenimiento reducido y temperaturas por debajo de 15 °F, pero rara vez se encuentran fuera de la industria de la aviación o militar.
4. El fueloil n.º 1, diesel n.º 2, fueloil n.º 2 y diesel n.º 2 son seleccionados con más frecuencia debido a su disponibilidad. Sin embargo, el usuario debe comprender que el fueloil y el diesel son menos refinados y, por lo tanto, el usuario debe tener en cuenta lo siguiente:
 - a. El diesel n.º 1 y el fueloil n.º 1 aumentarán un poco el humo/tizne durante el encendido, aumentarán el olor y aumentarán la limpieza/mantenimiento regular.
 - b. El diesel n.º 2 y el fueloil n.º 2, por lo general, y dependiendo de la refinería regional, generarán un humo más contaminante que los combustibles n.º 1. El uso de combustibles n.º 2 dará como resultado un poco más de humo/tizne durante el encendido y un mayor aumento en el olor, y requerirá una limpieza/mantenimiento más regular que los combustibles n.º 1.
 - c. A temperaturas inferiores a 15 °F, la mayoría de las mezclas de diesel y fueloil se volverán más viscosas (comienzan a "gelificarse") a medida que la temperatura del diesel cae por debajo de su punto de fluidez (comienza a "gelificarse") y pueden generar dificultades para encender el calefactor y su funcionamiento. Existen pasos de solución de problemas para esta situación, pero se recomienda seleccionar K1 (o JP-8/JET A) cuando se trabaja a menos de 15 °F. Entre más frías sean las temperaturas, más probabilidades hay de que experimente problemas cuando el combustible se gelifique.
 - d. La gelificación del combustible diesel ocurre cuando la parafina, generalmente presente en el diesel, comienza a solidificarse cuando la temperatura desciende. A 32 °F, la cera en forma líquida se cristalizará y dejará el combustible turbio; esto puede comenzar a afectar el filtro del combustible y la boquilla. Si la boquilla comienza a recubrirse, el patrón de rociado no será correcto, lo que puede causar humo blanco y problemas de rendimiento.

EL KEROSÉN DEBE ALMACENARSE ÚNICAMENTE EN UN ENVASE AZUL QUE ESTÉ CLARAMENTE IDENTIFICADO "QUEROSÉN". NUNCA ALMACENE EL QUEROSÉN EN UN ENVASE ROJO.

Los envases rojos se asocian con gasolina.

NUNCA almacene el querosén en un espacio habitable. El querosén debe almacenarse en un sitio bien ventilado fuera del área habitable.

NUNCA utilice un combustible distinto del querosén 1-K (#1 / #2 Diesel / Gasolina, JET A o JP-8 son substitutos aceptables)

NUNCA utilice combustibles como gasolina, benceno, alcohol, gas blanco, combustible para estufa portátil para campamento, diluyentes de pintura u otros compuestos de aceite en este calentador. Estos son combustibles volátiles que pueden causar una explosión o llamas incontroladas.

NUNCA almacene querosén en luz directa del sol ni cerca de una fuente de calor.

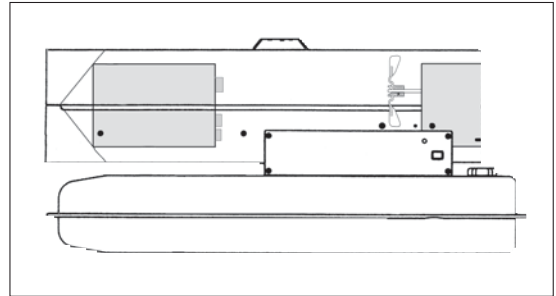
NUNCA use querosén que haya sido almacenado de una estación a otra. El querosén se deteriora con el tiempo.

EL "QUEROSÉN VIEJO" NO QUEMA ADECUADAMENTE EN ESTE CALENTADOR.

**¡NUNCA DEJE EL CALENTADOR
DESATENDIDO CUANDO ESTÉ ENCENDIDO!**

5. INFORMACIÓN GENERAL SOBRE EL DISEÑO DEL CALENTADOR

Sistema de combustible: Este calentador viene equipado con una bomba de aire eléctrica que fuerza el aire a través de la tubería de aire conectada a la toma de combustible y luego a través de una boquilla en el cabezal del quemador. Cuando el aire pasa frente a la toma de combustible ocasiona que este suba del tanque a la boquilla del quemador. Este combustible y la mezcla de aire rocían la cámara de combustión en forma de nebulización fina.



“Encendido seguro” : El encendedor electrónico envía voltaje a una bujía especialmente diseñada. La bujía enciende el combustible y la mezcla de aire indicadas.

El sistema de aire: El motor para trabajo pesado enciende un ventilador que fuerza el aire dentro y alrededor de la cámara de combustión. Aquí el aire se calienta y luego se fuerza a salir al frente del calentador.

El sistema de seguridad:

A. Control de límite de temperatura: Este calentador viene equipado con un control de límite de temperatura diseñado para apagar el calentador si la temperatura interna se eleva a un nivel inseguro. Si este dispositivo se activa y apaga el calentador, es posible que requiera servicio.

| MODELOS | Apagado interno por temp. Más/Menos 10 grados | Temperatura de reinicio Más/Menos 10 grados |
|-----------|--|--|
| KFA50DGD | 176°F/80°C | 122°F/50°C |
| KFA80DGD | 158°F/70°C | 104°F/40°C |
| KFA135DGD | 158°F/70°C | 104°F/40°C |
| KFA180DGD | 230°F/110°C | 194°F/90°C |
| KFA220DGD | 194°F/90°C | 140°F/60°C |

Una vez que la temperatura caiga por debajo de la temperatura de reinicio podrá arrancar el calentador.

B. Protección del sistema eléctrico: El sistema eléctrico de este calentador está protegido por un fusible montado en el ensamble PCB que lo protege a él, así como a otros componentes eléctricos de sufrir daños. Si su calentador no funciona revise este fusible primero y reemplácelo según sea necesario.

| TIPO DE FUSIBLE: | Todos los modelos | 125 voltios / 8 amps |
|------------------|-------------------|-------------------------|
| | | |

C. Sensor de llama apagada: Utiliza una fotocelda para monitorizar la llama en la cámara de combustión durante el funcionamiento normal. Hace que el calentador se apague si la llama del quemador se extingue.

**¡NUNCA DEJE EL CALENTADOR
DESATENDIDO CUANDO ESTÉ ENCENDIDO!**

6. CÓMO COLOCAR COMBUSTIBLE EN SU CALENTADOR

**NUNCA LLENE EL TANQUE DE COMBUSTIBLE DEL CALENTADOR EN EL ESPACIO HABITABLE:
LLENE EL TANQUE EN EXTERIORES. NO LLENE EXCESIVAMENTE EL CALENTADOR Y CERCIÓRESE
DE QUE ESTÉ NIVELADO. AVISO IMPORTANTE RELACIONADO CON EL PRIMER ENCENDIDO DEL
CALENTADOR:**

7. FUNCIONAMIENTO

A.) VENTILACIÓN

**RIESGO DE CONTAMINACIÓN DE AIRE EN INTERIORES/UTILICE EL CALENTADOR
SÓLO EN ÁREAS BIEN VENTILADAS**

Proporcione un suministro de aire fresco de al menos tres pies cuadrados (2.800 cm²) por cada 100.000 BTU/h de rendimiento de salida. Proporcione más aire fresco si se utilizan más calentadores.

Ejemplo :

- Un calentador KFA220DGD requiere de uno de los siguientes:
- una puerta de garaje para dos vehículos elevada seis pulgadas (15,24 cm)
- una puerta de garaje para un vehículo elevada nueve pulgadas (22,86 cm)
- dos, ventanas de treinta pulgadas (76,20 cm) elevadas quince pulgadas (38,1 cm)

B.) OPERACIÓN

PARA ARRANCAR EL CALENTADOR

1. Llenar tanque con combustible

NOTA: Se recomienda usar kerosene cuando la temperatura esté bajo 0°F (-18°C) para prevenir falla o retraso al encender.

2. Coloque la tapa del combustible.

3. Enchufe el cable de alimentación del calentador en un cable de extensión de tres patas, con conexión a tierra. El cable de extensión deberá tener al menos seis pies (1,8 m) de largo. Requisitos de tamaño del cable de extensión

- 6 a 100 pies (1,8 a 30,5 metros) de largo, use un conductor AWG 16.
- 101 a 200 pies (30,8 a 61 metros) de largo, use un conductor AWG 14.

4. Gire la "perilla de CONTROL DEL TERMOSTATO" a la configuración deseada (rango de configuración : De 4,4 °C a 43,3 °C) (Modelos KFA80DGD/135DGD/220DGD únicamente)

5. Presione el "interruptor de control de BTU" al nivel "Alto" (Consulte la figura 8). (Modelo KFA135DGD/180DGD/220DGD únicamente)

6. Presione el interruptor de encendido a la posición "ON". La bombilla indicadora de energía se encenderá y el calentador arrancará.

7. Una vez encendido, apretar el "interruptor de control BTU" al nivel deseado "Alto o Bajo" (High o Low)

NOTA: A continuación explicamos la pantalla de temperatura de la habitación:

(Sólo para los modelos KFA135DGD/180DGD/220DGD)

- Cuando la temperatura de la habitación sea menor de -17,8°C, la pantalla LED mostrará "Lo" (Bajo).
- Cuando la temperatura de la habitación oscile entre -17,8°C y 37,2°C, el valor mostrado en la pantalla corresponderá a la temperatura de la habitación.
- Cuando la temperatura de la habitación sea mayor de 37,2°C, la pantalla LED mostrará "Hi" (Alto)

Si el calentador no arranca, la configuración del termostato puede estar demasiado baja. Gire la perilla de "CONTROL DEL TERMOSTATO" a una posición más alta para arrancar el calentador. Si el calentador aún así no arranca, gire el interruptor a la posición "OFF" y luego a la posición "ON". Si aún así el calentador no arranca, refiérase a la Guía de localización de fallas en la página 15.

NOTA: El usuario puede optar por operar el calentador en dos niveles diferentes de BTU (Alto o Bajo)

Para estabilizar el calentador y prevenir retrasos al encender, seleccione el nivel BTU luego de encender el calentador, o mientras está operativo apretando el interruptor de control BTU. Si el calentador se enciende en el nivel de BTU bajo en temperaturas frías o con el tanque sin mucho combustible, una falla al encender puede ocurrir.

NOTA: En temperaturas frías, el encendido puede mejorar al mantener un dedo apretado sobre el borde de la válvula de escape o bloqueando el protector del ventilador con papel periódico etc.. hasta que el calentador prenda.

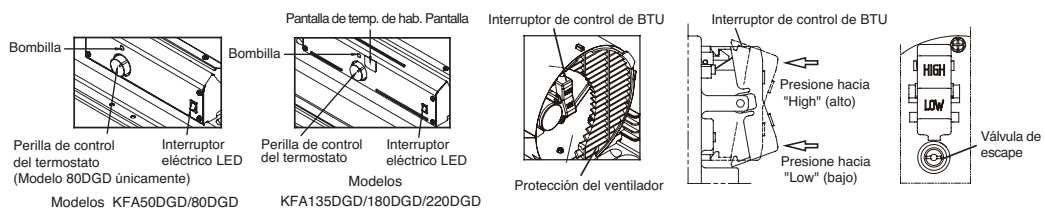


Figura 8. Controles para todos los modelos

**¡NUNCA DEJE EL CALENTADOR
DESATENDIDO CUANDO ESTÉ ENCENDIDO!**

AVISO: Los principales componentes eléctricos de este calentador están protegidos por un fusible de seguridad montado en el tablero PCB. Si su calentador no funciona revise este fusible primero y reemplácelo según sea necesario. También debe revisar el suministro de electricidad para cerciorarse de que se utilice el voltaje y la frecuencia adecuados para el calentador.

PARA PARAR EL CALENTADOR

1. Gire el interruptor a "OFF" y desenchufe el cable de alimentación.

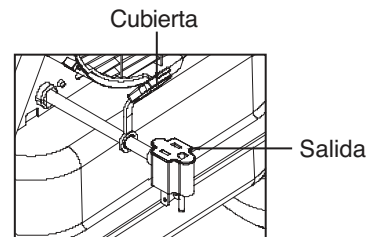
PARA VOLVER A ARRANCAR EL CALENTADOR

1. Espere 10 segundos después de haberlo desactivado.
2. Repita los pasos de abajo "Para arrancar.. el calentador."

CABLE DE ALIMENTACIÓN CON CONECTOR EN CASCADA

▲ ADVERTENCIA: ¡RIESGO DE DESCARGA ELÉCTRICA!

- Siempre cubra el tomacorriente cuando no esté en uso.
- No enchufe ni use un artefacto que tenga más de 120V/60Hz 5A en este tomacorriente.



Modelos KFA80DGD/135DGD/180DGD/220DGD únicamente

Figura 9. Cable de alimentación con conector en cascada

8. ALMACENAJE DEL CALENTADOR A LARGO PLAZO

DRENAJE DEL TANQUE DE COMBUSTIBLE

1. Drene el tanque de combustible a través de la abertura en la tapa. (Para los modelos KFA50DGD/80DGD únicamente.)
2. Retire el perno de drenaje de combustible del costado inferior posterior del tanque de combustible usando un dado de 3/4" o una llave inglesa y drene. Para los modelos KFA135/180/220DGD únicamente (Ver Figura 10).
3. Con una pequeña cantidad de querosén, limpie con un movimiento circular la parte interna del tanque. **NUNCA mezcle agua con el querosén** porque se formará óxido dentro del tanque.

Deseche el querosén cerciorándose de que lo retira completamente.

IMPORTANTE: No guarde el querosén en los meses de verano para utilizarlo durante la próxima estación invernal. El uso de combustible viejo podría dañar el calentador.

4. Vuelva a colocar la tapa del combustible. Deseche adecuadamente el combustible viejo y sucio. Para los modelos KFA50DGD/80DGD únicamente.
5. Reinstale el perno de drenaje de combustible en el tanque de combustible y presione firmemente usando un dado de 3/4" o una llave inglesa. Para los modelos KFA135/180/220DGD únicamente (Ver Figura 10).

IMPORTANTE: Antes de reinstalar el perno de drenaje de combustible, asegúrese de que el sello esté en el perno. Si no se usa el sello, el perno no se instalará correctamente y el tanque de combustible tendrá fugas.

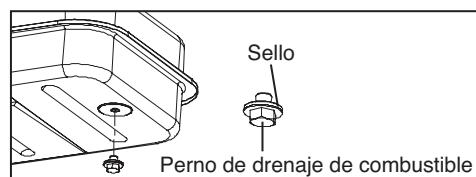


Figura 10. Perno de drenaje de combustible

6. Guarde el calentador en un área seca bien ventilada. Cerciórese de que el lugar de almacenaje no tenga polvo ni emanaciones corrosivas.
7. Guarde el calentador en la caja original con el material de empaque original y conserve el UMANUAL DEL USUARIO con el calentador.

**¡NUNCA DEJE EL CALENTADOR
DESATENDIDO CUANDO ESTÉ ENCENDIDO!**

9. MANTENIMIENTO

⚠ ¡¡ADVERTENCIA!!: NUNCA PRESTE SERVICIO AL CALENTADOR MIENTRAS ESTÁ ENCHUFADO O CALIENTE!

UTILICE LAS PIEZAS DE REPUESTO ORIGINALES DEL EQUIPO. El uso de componentes de terceros o alternos anulará la garantía y puede ocasionar condiciones inseguras de funcionamiento.

A.) TANQUE DE COMBUSTIBLE

PURGUE CADA 200 HORAS DE FUNCIONAMIENTO O SEGÚN SEA NECESARIO (VER ALMACENAJE, PÁG. 9)

B.) FILTRO DE ENTRADA DE AIRE

LAVE CON AGUA Y JABÓN Y SEQUE CADA 500 HORAS DE FUNCIONAMIENTO O SEGÚN SEA NECESARIO.

- Retire los tornillos a cada lado del calentador utilizando un destornillador de estrella mediano.
- Levante la carcasa superior.
- Retire el protector del ventilador.
- Lave o cambie el filtro de entrada de aire.
- Vuelva a instalar el protector del ventilador y la carcasa superior.

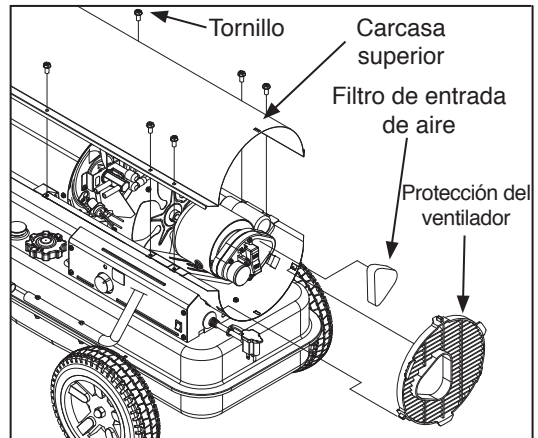


Figura 11. Acceso al filtro de entrada de aire

C.) FILTRO DE SALIDA DE AIRE, FILTRO DE PELUSAS

CAMBIE CADA 500 HORAS DE OPERACIÓN O UNA VEZ AL AÑO.

- Retire la carcasa superior y el protector del ventilador (Ver Filtro de toma de aire).
- Gire el manómetro de aire en el sentido antihorario y retire.
- Retire los tornillos de la cubierta terminal del filtro utilizando un destornillador de estrella mediano.
- Retire la cubierta terminal del filtro.
- Cambie el filtro de salida de aire y pelusas.
- Vuelva a instalar la cubierta del filtro y el manómetro de aire.
- Vuelva a instalar el protector del ventilador y la carcasa superior.

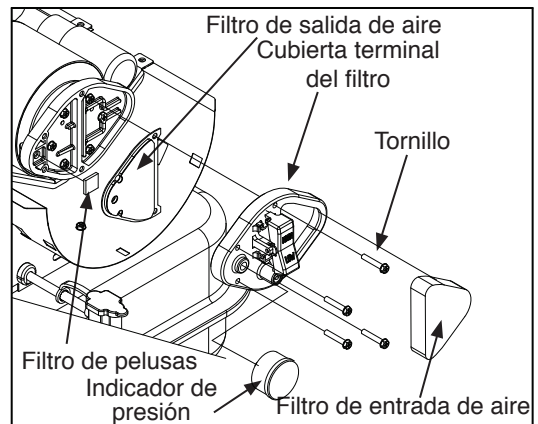


Figura 12. Acceso al filtro de salida de aire

D.) ASPAS DEL VENTILADOR

LIMPIE CADA ESTACIÓN O SEGÚN SEAN NECESARIO.

- Retire la carcasa superior (Ver Filtro de entrada de aire).
- Utilice una llave Allen M6 para aflojar el tornillo de fijación que sujeta el aspa del ventilador al eje del motor.
- Aparte el aspa del ventilador del eje del motor.
- Limpie el aspa del ventilador utilizando un paño suave humedecido con querosén o solvente.
- Seque bien el aspa del ventilador.
- Vuelva a instalar el aspa del ventilador en el eje del motor. Coloque el cubo de las aspas del ventilador a ras con el extremo del eje del motor.
- Coloque el tornillo de fijación en la parte plana del eje. Apriete el tornillo de fijación firmemente 40-50 pulg.-libras/4,5-5,6 N-m).
- Vuelva a instalar la carcasa superior.

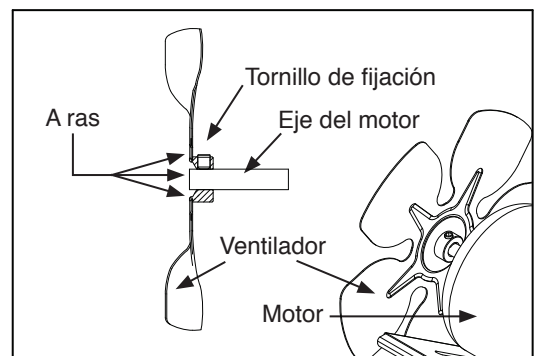


Figura 13. Ensamblaje del ventilador

**¡NUNCA DEJE EL CALENTADOR
DESATENDIDO CUANDO ESTÉ ENCENDIDO!**

E.) BOQUILLA

RETIRE LA SUCIEDAD EN LA BOQUILLA SEGÚN SEA NECESARIO (VER PÁGINA 16).

(Para los modelos KFA50/80/135/180DGD únicamente).

- Retire la carcasa superior (Ver página 10).
- Retire el aspa del ventilador (Ver página 10).
- Retire las mangueras de combustible y aire del adaptador de boquilla.
- Retire el cable de encendido de la bujía.
- Retire la bujía del adaptador de boquilla con un destornillador Phillips mediano.
- Gire el adaptador de boquilla 1/9 de giro (40°) en dirección contraria a las manecillas del reloj y jale hacia el motor para retirar. (Consulte la figura 14)
- Coloque el cuerpo hexagonal de plástico en la prensa de tornillo y apriete ligeramente.
- Retire cuidadosamente la boquilla del adaptador de boquilla utilizando una llave de tubo de 5/8".
- Sople aire comprimido a través del frente de la boquilla. (esto retirará cualquier suciedad en la boquilla)
- Vuelva a instalar la boquilla en el adaptador de boquilla hasta que esta quede asentada. Apriete 1/3 de giro más con una llave de tuercas de 5/8". (40~45 pulgada-libras)
- Vuelva a instalar el adaptador de boquilla en el cabezal del quemador.
- Vuelva a instalar la bujía en el adaptador de boquilla.
- Fije el cable de encendido a la bujía.
- Fije las mangueras de combustible y aire al adaptador de boquilla.
- Vuelva a instalar el aspa del ventilador y la carcasa superior.

(Para el modelo KFA220DGD únicamente).

- Retire la carcasa superior (Ver página 10).
- Retire el ventilador (Ver página 10).
- Retire las mangueras de combustible y aire del adaptador de boquilla.
- Retire el cable de encendido de la bujía.
- Retire la bujía del adaptador de boquilla con un destornillador Phillips mediano.
- Gire el adaptador de boquilla 1/8 de giro (45°) en dirección contraria a las manecillas del reloj y jale hacia el motor para retirar. (Consulte la figura 15)
- Coloque el cuerpo hexagonal de plástico en la prensa de tornillo y apriete ligeramente.
- Retire cuidadosamente la boquilla del adaptador boquilla utilizando una llave de tubo de 5/8".
- Sople aire comprimido a través del frente de la boquilla. (esto retirará cualquier suciedad en la boquilla)
- Vuelva a instalar la boquilla en el adaptador de boquilla hasta que esta quede asentada. Apriete 1/3 de giro más con una llave de tuercas de 5/8". (40~45 pulgada-libras)
- Vuelva a instalar el adaptador de boquilla en la abrazadera del quemador.
- Vuelva a instalar la bujía en el adaptador de boquilla.
- Fije el cable de encendido a la bujía.
- Fije las mangueras de combustible y aire al adaptador de boquilla.
- Vuelva a instalar el aspa del ventilador y la carcasa superior.

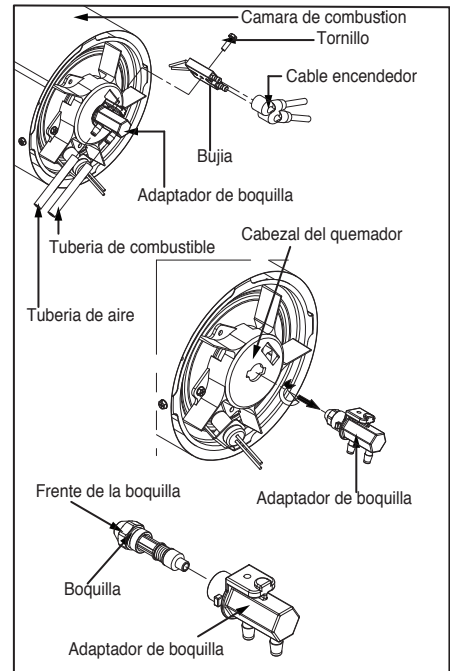


Figura 14. Reemplazo de la boquilla

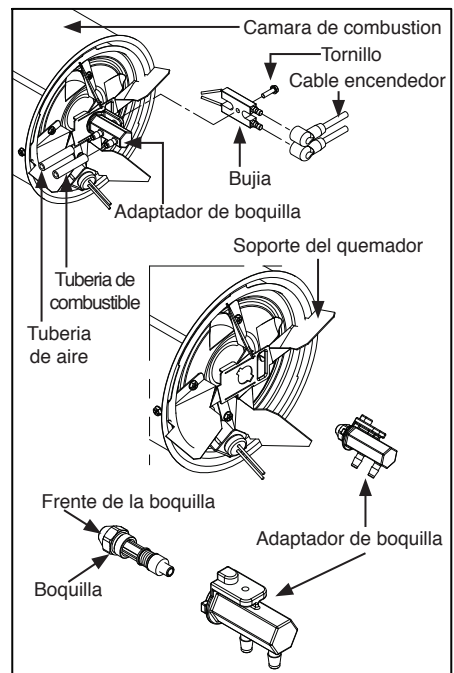


Figura 15. Reemplazo de la boquilla

**¡NUNCA DEJE EL CALENTADOR
DESATENDIDO CUANDO ESTÉ ENCENDIDO!**

F.) BUJÍA

LIMPIE Y AJUSTE LA SEPARACIÓN ENTRE

O CAMBIE SEGÚN SEA NECESARIO.

(Para los modelos KFA50/80/135/180DGD únicamente).

- Retire la carcasa superior (Ver página 10).
- Retire el ventilador (Ver página 10).
- Retire el cable de encendido de la bujía.
- Retire la bujía del adaptador de boquilla con un destornillador Phillips mediano.
- Limpie y ajuste la separación entre electrodos a 3,5mm. (0.138")

- Vuelva a instalar la bujía en el adaptador de boquilla.
- Fije el cable de encendido a la bujía.
- Vuelva a instalar el ventilador y la carcasa superior.

(Para el modelo KFA220DGD únicamente).

- Retire la carcasa superior (Ver página 10).
- Retire el ventilador (Ver página 10).
- Retire el cable de encendido de la bujía.
- Retire la bujía del adaptador de boquilla con un destornillador Phillips mediano.
- Limpie y ajuste la separación entre electrodos a 3,5mm. (0.138")
- Fije el cable de encendido a la bujía.
- Vuelva a instalar el ventilador y la carcasa superior.

G.) FOTOCELDA

LIMPIE LA FOTOCELDA ANUALMENTE O SEGÚN SEA NECESARIO.

- Retire la carcasa superior (Ver página 10).
- Retire el ventilador (Ver página 10).
- Retire la fotocelda de su montaje. Limpie el lente de la fotocelda con un hisopo de algodón.

PARA REEMPLAZAR:

- Retire los tornillos de la cubierta interior utilizando un destornillador de estrella mediano.
- Desconecte los cables del interruptor del interruptor eléctrico y retire la cubierta lateral.
- Desconecte los cables del tablero de circuitos y retire la fotocelda.
- Instale la nueva fotocelda y conecte los cables al tablero de circuitos.
- Vuelva a conectar los cables del interruptor al interruptor eléctrico y la cubierta lateral.
- Vuelva a instalar el ventilador y la carcasa superior.

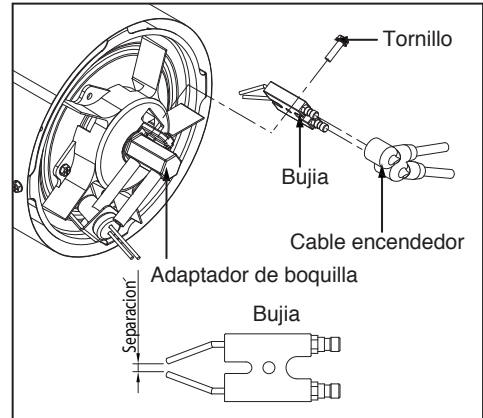


Figure 16. Reapertura de Bujía

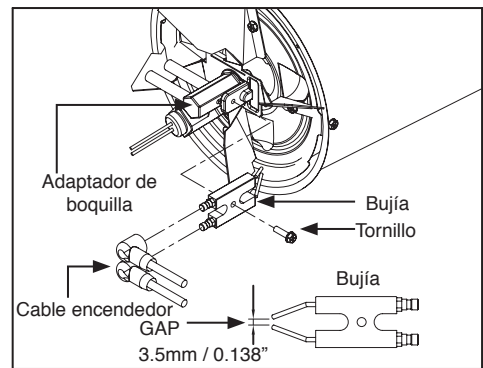


Figure 17. Reapertura de Bujía

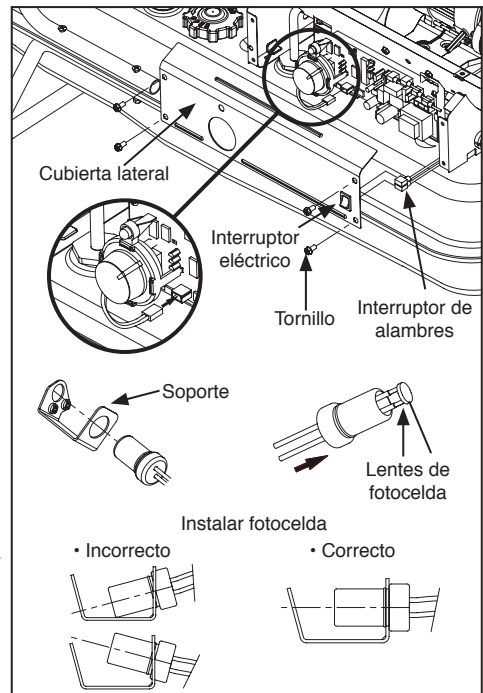


Figure 18. Reemplazo de Fotocelda

**¡NUNCA DEJE EL CALENTADOR
DESATENDIDO CUANDO ESTÉ ENCENDIDO!**

H.) FILTRO DE COMBUSTIBLE

LIMPIE O REEMPLACE DOS VECES CADA ESTACIÓN O SEGÚN SEA NECESARIO.

- Retire los tornillos de la cubierta interior utilizando un destornillador de estrella mediano.
- Desconecte los cables del interruptor del interruptor eléctrico y retire la cubierta lateral.
- Hale la tubería de combustible del cuello del filtro de combustible.
- Gire el filtro de combustible 90° en el sentido antihorario y hale para retirar. (Para los modelos KFA50DGD/80DGD únicamente)
- Gire el filtro de combustible 90° en el sentido horario y hale para retirar (Para los modelos KFA135/180/220DGD únicamente).
- Lave el filtro de combustible con combustible limpio y vuelva a colocarlo en el tanque.
- Fije la tubería de combustible al cuello del filtro de combustible.
- Vuelva a colocar los cables del interruptor en el interruptor eléctrico.
- Vuelva a instalar la cubierta lateral.

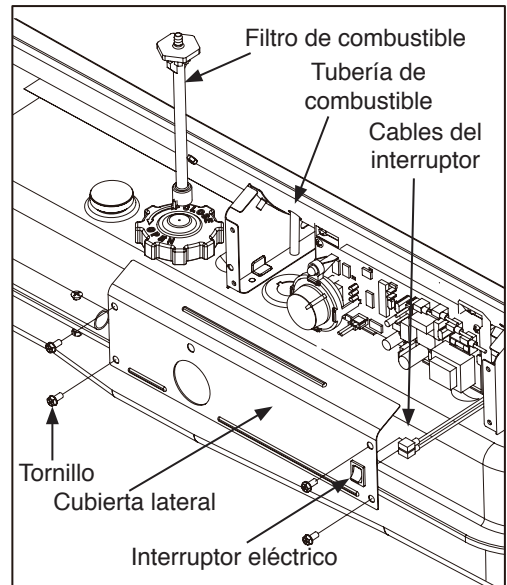


Figura 19. Cambio del filtro de combustible

I.) AJUSTE DE LA BOMBA DE PRESIÓN

NOTA: Si se necesita ajustar la presión de la bomba, asegúrese de que el calentador trabaje en la configuración de BTU HIGH (alto).

- Presione el interruptor de control de BTU hacia HIGH (alto). (Refiérase a la Operación, página 8, del modelos KFA135/180/220DGD únicamente)
- Arranque el calentador (Refiérase a la Operación,
- Retire el tapón del Indicador de presión de la cubierta del filtro terminal. Instale el Indicador de presión. (Para los modelos KFA50DGD/80DGD únicamente) página 8) Deje que el motor alcance su velocidad total
- Regule la presión (utilizando un destornillador de hoja plana). Gire la válvula de alivio en el sentido horario para aumentar la presión. Gire la válvula de alivio hacia la izquierda para disminuir la presión.
- Detenga el calentador (Refiérase a la Operación, página 8)

| MODELO | Presión de bomba | |
|-----------|-------------------|-------------------|
| | Alto nivel de BTU | Bajo nivel de BTU |
| KFA50DGD | 3.8 psi | N/A |
| KFA80DGD | 3.8 psi | N/A |
| KFA135DGD | 5.5 psi | 3.5 psi |
| KFA180DGD | 6.5 psi | 4.5 psi |
| KFA220DGD | 8.5 psi | 6.5 psi |

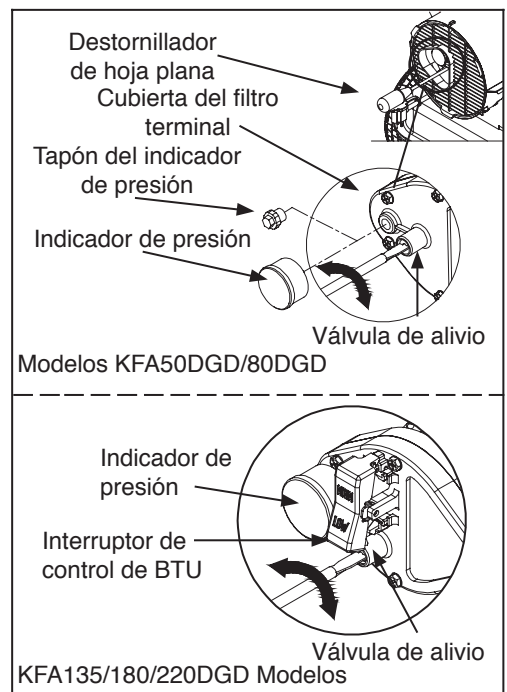


Figura 20. Ajuste de la bomba de presión

NOTA: UTILICE ÚNICAMENTE LAS PIEZAS DE REPUESTO ORIGINALES DEL EQUIPO.
El uso de componentes alternos o de terceros anulará la garantía y puede ocasionar condiciones inseguras de funcionamiento.

**¡NUNCA DEJE EL CALENTADOR
DESATENDIDO CUANDO ESTÉ ENCENDIDO!**

10. REEMPLAZO DEL FUSIBLE

AVISO: El fusible de este calentador está protegido.

Si su calentador no enciende, **NO LO DEVUELVA A LA TIENDA.**

Siga estas sencillas instrucciones para inspeccionar y cambiar el fusible.

PROCEDIMIENTO PARA CAMBIAR EL FUSIBLE

⚠ **ADVERTENCIA: RIESGO DE DESCARGA ELÉCTRICA**

Para evitar lesiones personales, desenchufe el cable de alimentación antes de cambiar el fusible.

1. Desenchufe el calentador.
2. Retire los tornillos de la cubierta lateral utilizando un destornillador de estrella mediano.
3. Desconecte los cables del interruptor del interruptor eléctrico.
4. Retire el fusible del portafusible (Ver figura 21).
5. Reemplace el fusible.

⚠ **ADVERTENCIA: RIESGO DE INCENDIO**

Para evitar incendios, no sustituya por uno de mayor o menor capacidad.

6. Vuelva a colocar los cables del interruptor en el interruptor eléctrico.
7. Vuelva a instalar la cubierta lateral.

NOTA: Capacidad especificada del fusible: AC 125/8A

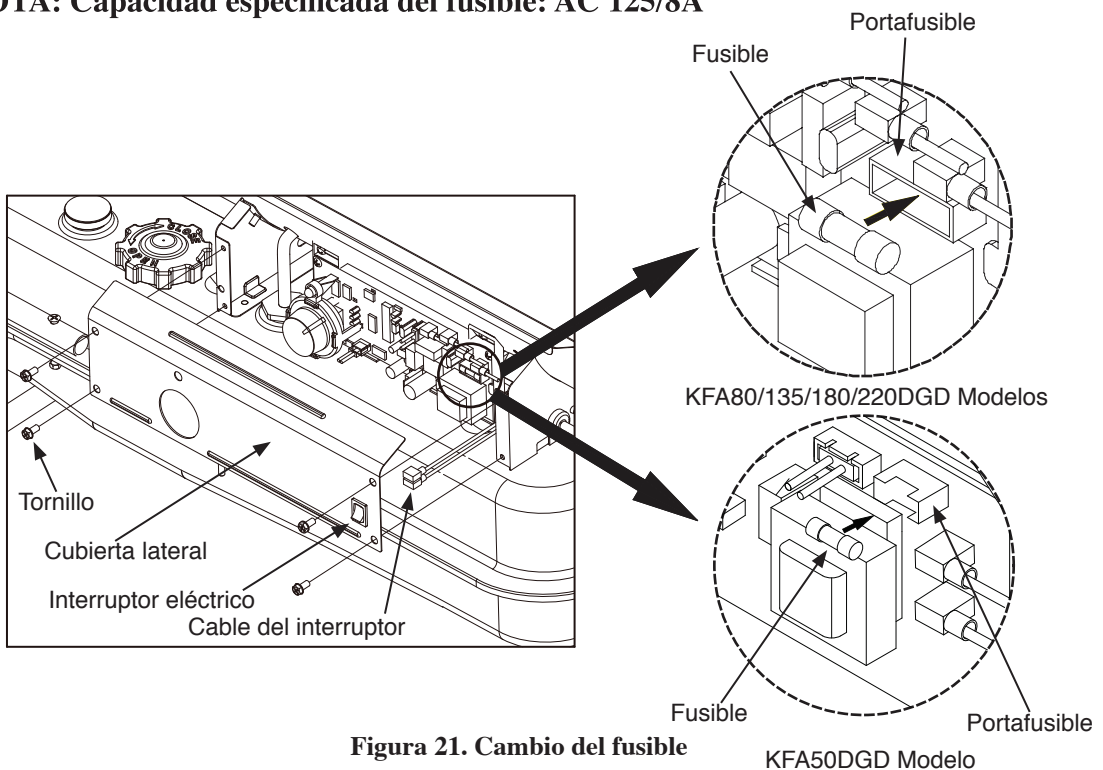


Figura 21. Cambio del fusible

**¡NUNCA DEJE EL CALENTADOR
DESATENDIDO CUANDO ESTÉ ENCENDIDO!**

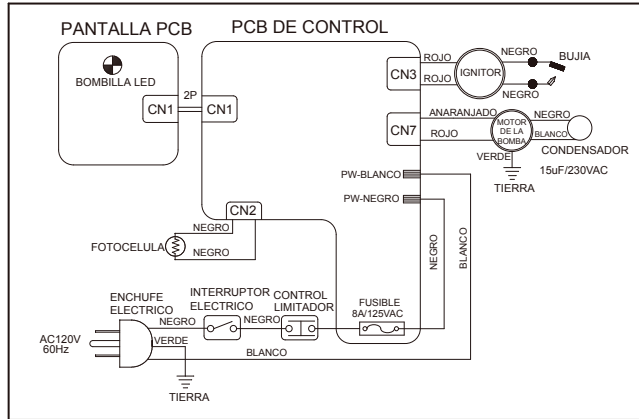
11. GUÍA PARA LA LOCALIZACIÓN Y SOLUCIÓN DE PROBLEMAS

| PROBLEMA | POSIBLE CAUSA | ACCIÓN CORRECTIVA |
|---|---|--|
| El calentador enciende pero el ensamble PCB PRINCIPAL apaga el calentador después de un corto período de tiempo. (La bombilla indicadora titila y el visualizador de temperatura de la habitación indica "E1"). | <ol style="list-style-type: none"> 1. Incorrecta presión de la bomba. 2. Salida de aire, toma de aire o filtro de pelusas sucios. 3. Filtro de combustible sucio. 4. Suciedad en la boquilla. 5. Lente de fotocelda sucio. 6. El ensamble de fotocelda no está adecuadamente instalado. (no se ve la llama) 7. Conexión eléctrica defectuosa entre la fotocelda y el ensamble PRINCIPAL PCB. 8. Fotocelda defectuosa. | <ol style="list-style-type: none"> 1. Ver ajuste de presión de la bomba, página 13. 2. Ver Filtros de salida de aire, entrada de aire y de pelusas, página 10. 3. Ver Filtro de combustible, página 13. 4. Ver Boquilla, página 11. 5. Limpie el lente de la fotocelda, página 12. 6. Cerciórese de que la base de la fotocelda esté adecuadamente encajada en el soporte, página 12. 7. Revise los componentes eléctricos. Ver diagrama de cableado, página 16. 8. Reemplace la fotocelda, página 12. |
| El calentador no enciende pero el motor trabaja durante un corto período de tiempo. (La bombilla indicadora titila y el visualizador de temperatura de la habitación indica "E1"). | <ol style="list-style-type: none"> 1. No hay combustible en el tanque. 2. Incorrecta presión de la bomba. 3. Depósitos de carbón en la bujía y/o inadecuada separación. 4. Filtro de combustible sucio. 5. Suciedad en la boquilla. 6. Agua en el tanque de combustible. 7. Bad electrical connection between ignitor and MAIN PCB assembly. 8. El cable del encendedor no se ha fijado a la bujía. | <ol style="list-style-type: none"> 1. Llene el tanque con querosén. 2. Refiérase al ajuste de presión de la bomba, Pág. 13. 3. Refiérase a la bujía, Pág. 12. 4. Refiérase al Filtro de combustible, Pág. 13. 5. Refiérase a la boquilla, Pág. 11. 6. Llene el tanque de combustible con querosén limpio, página 9. 7. Revise los componentes eléctricos. Ver diagrama de cableado, página 16. 8. Fije el cable de encendido a la bujía. Ver bujía, página 12. |
| El ventilador no se activa cuando el calentador se enchufa y el interruptor estaba en la posición "ON". (La bombilla indicadora está encendida o titilando) | <ol style="list-style-type: none"> 1. La graduación del termostato está demasiado baja. 2. Conexión eléctrica defectuosa entre el motor y el ensamble PRINCIPAL PCB. | <ol style="list-style-type: none"> 1. Gire la perilla de control del termostato a una graduación más alta. 2. Revise las conexiones eléctricas. Ver diagrama de cableado, página 16. |
| La bombilla indicadora titila y el visualizador de temperatura de la habitación indica "E2". | <ol style="list-style-type: none"> 1. Falla del sensor. | <ol style="list-style-type: none"> 1. Cambie el sensor. Vea el Diagrama de Cableado, página 16. |
| (La bombilla indicadora titila y el visualizador de temperatura de la habitación indica "E3"). | <ol style="list-style-type: none"> 1. Falla del interruptor del termostato. | <ol style="list-style-type: none"> 1. Cambie el interruptor. Vea el Diagrama de Cableado, página 16. |
| El calentador no se enciende. (la bombilla indicadora está apagada) | <ol style="list-style-type: none"> 1. El dispositivo de seguridad de límite de temperatura está recalentado. 2. No hay electricidad. 3. Fusible quemado. 4. Conexión eléctrica defectuosa entre el dispositivo de seguridad de límite de temperatura y el tablero PCB. | <ol style="list-style-type: none"> 1. Gire el interruptor a la posición "OFF" y deje enfriar. (alrededor de 10 minutos). 2. Revise que el cable del calentador y de la extensión estén enchufados. Revise el suministro de electricidad. 3. Cambie el fusible de seguridad en el tablero PCB. 4. Revise las conexiones eléctricas. Vea el Diagrama de Cableado, página 16. |

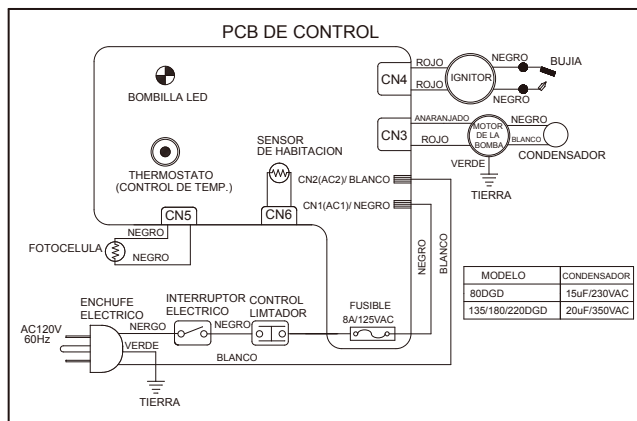
¡NUNCA DEJE EL CALENTADOR DESATENDIDO CUANDO ESTÉ ENCENDIDO!

12. DIAGRAMA DE CABLEADO

A) DIAGRAMA DE CABLEADO (Modelo KFA50DGD)

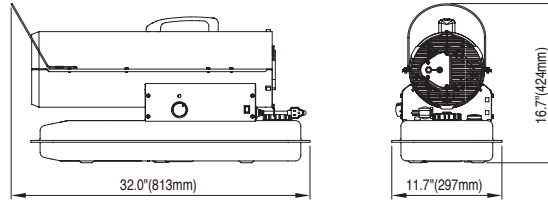


B) DIAGRAMA DE CABLEADO (Modelos KFA80DGD/135DGD/180DGD/220DGD)

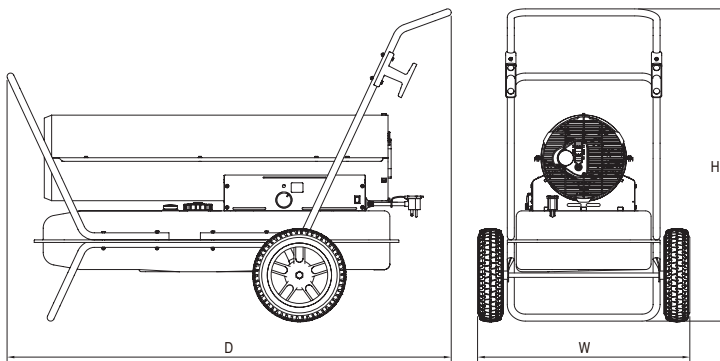


**¡NUNCA DEJE EL CALENTADOR
DESATENDIDO CUANDO ESTÉ ENCENDIDO!**

13. ESPECIFICACIONES



Modelos KFA50DGD/80DGD



| | 135DGD | 180DGD 220DGD |
|---|-----------------|------------------|
| D | 41.9"(1,063 mm) | 47.4"(1,205 mm) |
| W | 21.5"(547 mm) | 23.1"(587 mm) |
| H | 32.4"(824 mm) | 33.5"(850 mm) |

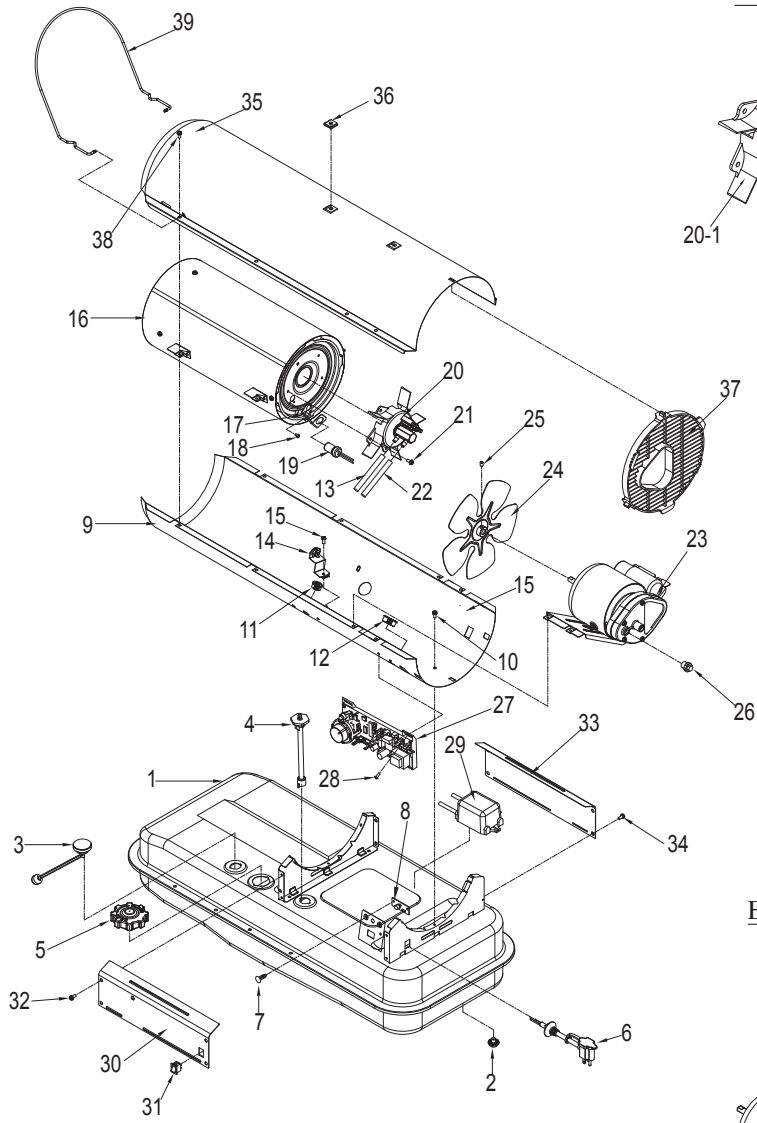
KFA135DGD/180DGD/220DGD Models

| MODELO | | KFA50DGD | KFA80DGD | KFA135DGD | KFA180DGD | KFA220DGD |
|---|------|---------------------------------|---------------------------------|-----------------------------------|-----------------------------------|-----------------------------------|
| BTU/h. | ALTO | 50,000 | 80,000 | 135,000 | 180,000 | 220,000 |
| | BAJO | N/A | N/A | 95,000 | 140,000 | 180,000 |
| Consumo de combustible - Gal./h.(ℓ./h) | ALTO | 0.38(1.44) | 0.60(2.27) | 1.02(3.86) | 1.36(5.15) | 1.66(6.28) |
| | BAJO | N/A | N/A | 0.72(2.73) | 1.06(4.01) | 1.36(5.15) |
| Capacidad del tanque de combustible - Gal.(ℓ) | | 5.0(18.9) | 5.0(18.9) | 10.0(37.9) | 13.0(49.2) | 13.0(49.2) |
| Presión de la bomba PSI - Gal.(kgf/cm ²) | ALTO | 3.8(0.27) | 3.8(0.27) | 5.5(0.39) | 6.5(0.46) | 8.5(0.60) |
| | BAJO | N/A | N/A | 3.5(0.25) | 4.5(0.32) | 6.5(0.46) |
| Volt/Hz | | 120Vac/60hz | 120Vac/60hz | 120Vac/60hz | 120Vac/60hz | 120Vac/60hz |
| Amps. | | 1.6 | 1.6 | 2.5 | 3.2 | 3.7 |
| Fase | | 1 | 1 | 1 | 1 | 1 |
| Tamaño (D×W×H), Pulgadas(mm) | | 32.0×11.7×16.7 (813×297×424) | 32.0×11.7×16.7 (813×297×424) | 41.9×21.5×32.4 (1,063×547×824) | 47.4×23.1×33.5 (1,205×587×850) | 47.4×23.1×33.5 (1,205×587×850) |
| Peso libras.(kg) | | 26.9(12.2) | 26.9(12.2) | 52.2(23.7) | 58.0(26.3) | 60.2(27.3) |

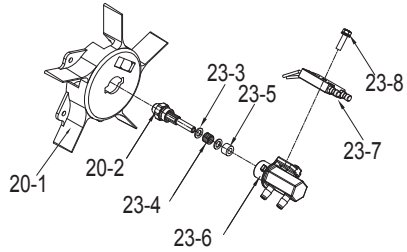
**¡NUNCA DEJE EL CALENTADOR
DESATENDIDO CUANDO ESTÉ ENCENDIDO!**

14. PLANO DE DESPIECE (Modelos KFA50DGD/80DGD únicamente)

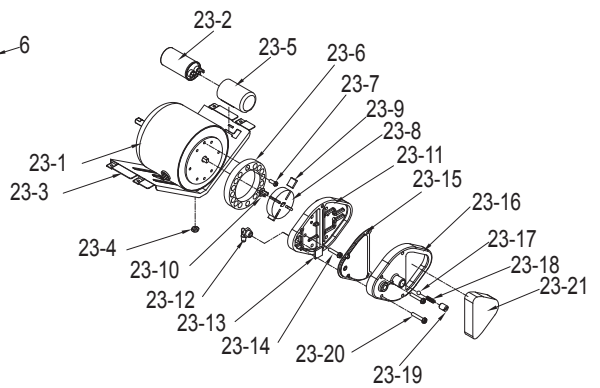
NOTA: ESPECIFIQUE EL NÚMERO DE MODELO Y EL NÚMERO DE PIEZA CUANDO ORDENE REPUESTOS..



ENSAMBLE DEL CABEZAL
DEL QUEMADOR



ENSAMBLE DEL MOTOR
Y LA BOMBA



**¡NUNCA DEJE EL CALENTADOR
DESATENDIDO CUANDO ESTÉ ENCENDIDO!**

15. LISTA DE PIEZAS (Modelos KFA50DGD/80DGD únicamente)

| CLAVE N° | DESCRIPCIÓN | PIEZA N° | | CANTIDAD |
|-------------|--------------------------------------|-----------------------------|-----------------------------|----------|
| | | KFA50DGD | KFA80DGD | |
| 1 | Ensamblaje del tanque de combustible | 2151-0046-01 | 2151-0047-01 | 1 |
| 2 | Perno de drenaje de combustible | - | - | 1 |
| 3 | Indicador de combustible | 2156-0047-00 | 2156-0049-00 | 1 |
| 4 | Ensamble del filtro de combustible | 2155-0005-00 | 2155-0005-00 | 1 |
| 5 | Tapa del combustible | 2151-0041-00 | 2151-0041-00 | 1 |
| 6 | Cable de alimentación | 3980-0274-00 | 3980-0275-00 | 1 |
| 7 | Soporte del botón | 3713-0048-00 | - | 2 |
| 8 | Ensamble del visualizador PCB | 215A-0013-00 | - | 1 |
| 9 | Carcasa inferior | 3111-0501-04 | 3111-0501-04 | 1 |
| 10 | Tornillo de brida | 4319-0015-00 | 4319-0015-00 | 4 |
| 11 | Cojinete-Arandela aislante(S) | 3231-0120-00 | 3231-0120-00 | 1 |
| 12 | Cojinete-Arandela aislante(L) | 3231-0121-00 | 3231-0121-00 | 1 |
| 13 | Tubería de aire | 3341-0035-00 | 3341-0035-00 | 1 |
| 14 | Ensamble de temperatura límite | 2153-0022-00 | 2153-0013-00 | 1 |
| 15 | Tornillo de brida | 4319-0015-00 | 4319-0015-00 | 1 |
| 16 | Ensamble de la cámara | 2152-0292-00 | 2152-0293-00 | 1 |
| 17 | Soporte de la fotocelda | 3131-0159-00 | 3131-0159-00 | 1 |
| 18 | Tornillo BH1 | 4311-0068-00 | 4311-0068-00 | 2 |
| 19 | Ensamble de la fotocelda | *SP-KFA1007 | *SP-KFA1007 | 1 |
| 20 | Ensamble del cabezal del quemador | 2152-0120-00 | 2152-0121-00 | 1 |
| 20-1 | Cabezal del quemador | 3531-0026-00 | 3531-0026-00 | 1 |
| 20-2 | Boquilla | *SP-KFA1026 | *SP-KFA1027 | 1 |
| 20-3 | Arandela de sello de la boquilla | 4349-0016-00 | 4349-0016-00 | 2 |
| 20-4 | Resorte de sello de la boquilla | 3431-0010-00 | 3431-0010-00 | 1 |
| 20-5 | Junta tórica | 3311-0002-00 | 3311-0002-00 | 1 |
| 20-6 | Adaptador de boquilla | 3231-0178-00 | 3231-0178-00 | 1 |
| 20-7 | Bujía | *SP-KFA1008 | *SP-KFA1008 | 1 |
| 20-8 | Perno-Brida | 4329-0079-00 | 4329-0079-00 | 1 |
| 21 | Tornillo de brida | 4319-0015-00 | 4319-0015-00 | 3 |
| 22 | Tubería de combustible | 3341-0034-00 | 3341-0034-00 | 1 |
| 23 | Ensamble del motor de la bomba | 2154-0135-00 | 2154-0135-00 | 1 |
| 23-1 | Motor | 3970-0210-00 | 3970-0210-00 | 1 |
| 23-2 | Condensador | 3820-0257-00 | 3820-0257-00 | 1 |
| 23-3 | Soporte del Motor | 3111-0440-00 | 3111-0440-00 | 1 |
| 23-4 | Tuerca hex. | 4331-0022-00 | 4331-0022-00 | 2 |
| 23-5 | Portacondensador | - | - | 1 |
| 23-6 | Cuerpo de la bomba | 3541-0022-00 | 3541-0022-00 | 1 |
| 23-7 | Perno BH especial | 4321-0198-00 | 4321-0198-00 | 2 |
| 23-8 | Rotor | *SP-KFA1000 ¹ | *SP-KFA1000 ¹ | 1 |
| 23-9 | Aspa | Vea SP-KFA1000 ¹ | Vea SP-KFA1000 ¹ | 4 |
| 23-10 | Inserto | Vea SP-KFA1000 ¹ | Vea SP-KFA1000 ¹ | 1 |
| 23-11 | Cubierta terminal de la bomba | 3531-0027-00 | 3531-0027-00 | 1 |
| 23-12 | Codo | 3231-0181-00 | 3231-0181-00 | 1 |
| | | | | |
| | | | | |

**¡NUNCA DEJE EL CALENTADOR
DESATENDIDO CUANDO ESTÉ ENCENDIDO!**

15. LISTA DE PIEZAS (Modelos KFA50DGD/80DGD únicamente)

| CLAVE N° | DESCRIPCIÓN | PIEZA N° | | CANTIDAD |
|-------------|--------------------------------------|----------------|----------------|----------|
| | | KFA50DGD | KFA80DGD | |
| 25-13 | Filtro de pelusas | *SP-KFA1005 | *SP-KFA1005 | 1 |
| 25-14 | Perno-Brida | 4329-0016-00 | 4329-0016-00 | 6 |
| 25-15 | Filtro de salida | Vea SP-KFA1005 | Vea SP-KFA1005 | 1 |
| 25-16 | Cubierta terminal del filtro | 3221-0029-00 | 3221-0029-00 | 1 |
| 25-17 | Bola | *SP-KFA1006 | *SP-KFA1006 | 1 |
| 25-18 | Resorte | Vea SP-KFA1006 | Vea SP-KFA1006 | 1 |
| 25-19 | Tornillo de ajuste | Vea SP-KFA1006 | Vea SP-KFA1006 | 1 |
| 25-20 | Perno-Brida | 4329-0016-00 | 4329-0016-00 | 4 |
| 25-21 | Filtro de entrada | Vea SP-KFA1005 | Vea SP-KFA1005 | 1 |
| 26 | Ensamble del ventilador | 2154-0009-00 | 2154-0009-00 | 1 |
| 27 | Dado hexagonal para perno sin cabeza | 4323-0004-00 | 4323-0004-00 | 1 |
| 28 | Indicador de presión | 3231-0054-00 | 3231-0054-00 | 1 |
| 29 | Ensamble del PCB principal | 215A-0048-00 | 215A-0073-00 | 1 |
| 30 | Tornillo TH2S | 4312-0046-00 | 4312-0046-00 | 2 |
| 31 | Encendedor | 39E0-0071-00 | 39E0-0071-00 | 1 |
| 32 | Cubierta lateral-derecha | 3121-0496-04 | 3121-0497-25 | 1 |
| 33 | Interruptor eléctrico | 39A0-0191-00 | 39A0-0191-00 | 1 |
| 34 | Tornillo de brida | 4319-0015-00 | 4319-0015-00 | 4 |
| 35 | Cubierta lateral-izquierda | 3121-0190-00 | 3121-0350-00 | 1 |
| 36 | Tornillo de brida | 4319-0015-00 | 4319-0015-00 | 4 |
| 37 | Carcasa superior | 3111-0502-04 | 3111-0502-04 | 1 |
| 38 | Clip Nut | 3131-0182-00 | 3131-0182-00 | 2 |
| 39 | Protector del ventilador | 3221-0074-00 | 3221-0074-00 | 1 |
| 40 | Tornillo de brida | 4319-0015-00 | 4319-0015-00 | 8 |
| 41 | Front Guard | 3561-0066-00 | 3561-0066-00 | 1 |

| CLAVE N° | DESCRIPCIÓN | PIEZA N° | | CANTIDAD |
|-------------|--------------------------------|------------|------------|----------|
| | | KFA50DGD | KFA80DGD | |
| 1 | Rotor kit | SP-KFA1000 | SP-KFA1000 | 1 |
| 2 | Kit de filtro | SP-KFA1005 | SP-KFA1005 | 1 |
| 3 | Enchufe/Bomba kit de ajustador | SP-KFA1006 | SP-KFA1006 | 1 |

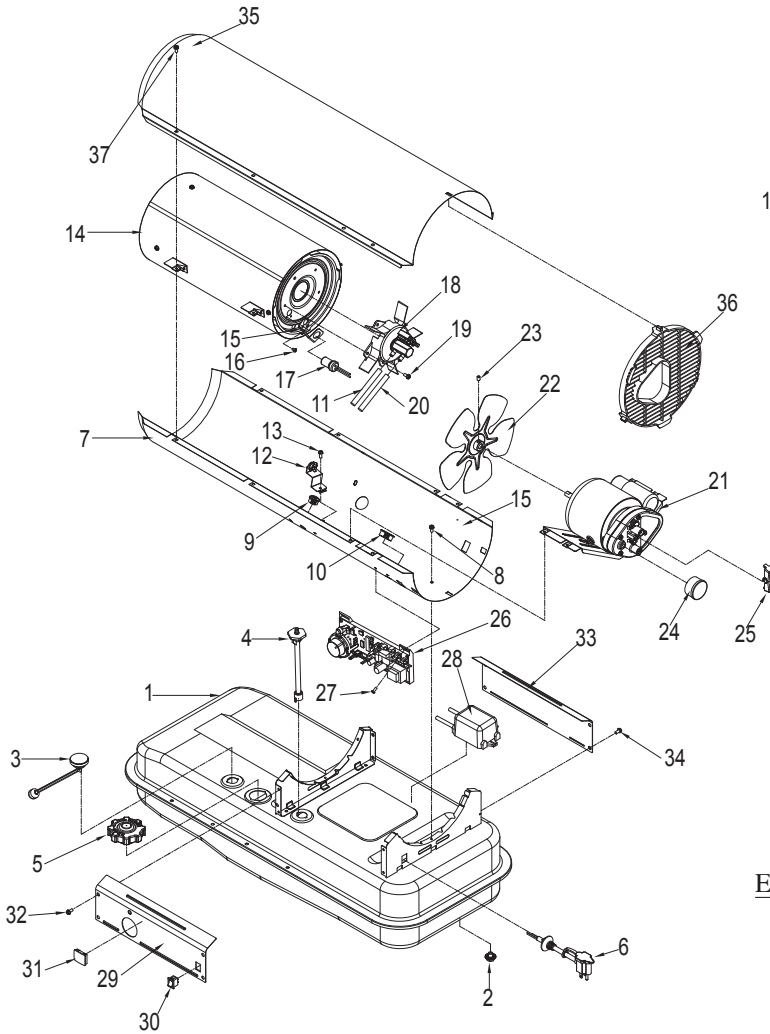
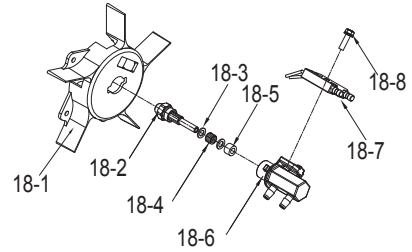
PARA ASISTENCIA TÉCNICA CONSULTE CON SU DISTRIBUIDOR
LOCAL O CONTÁCTENOS AL:
Teléfono: 1-877-447-4768

**¡NUNCA DEJE EL CALENTADOR
DESATENDIDO CUANDO ESTÉ ENCENDIDO!**

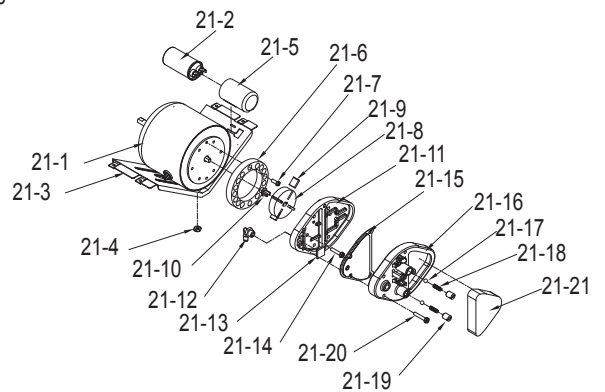
14. PLANO DE DESPIECE (Modelos KFA135DGD/180DGD únicamente)

NOTA: ESPECIFIQUE EL NÚMERO DE MODELO Y EL NÚMERO DE PIEZA
CUANDO ORDENE REPUESTOS

ENSAMBLE DEL CABEZAL
DEL QUEMADOR



ENSAMBLE DEL MOTOR
Y LA BOMBA



**¡NUNCA DEJE EL CALENTADOR
DESATENDIDO CUANDO ESTÉ ENCENDIDO!**

15. LISTA DE PIEZAS (Modelos KFA135DGD/180DGD únicamente)

| CLAVE N° | DESCRIPCIÓN | PIEZA N° | | CANTIDAD |
|-------------|--------------------------------------|-----------------------------|-----------------------------|----------|
| | | KFA135DGD | KFA180DGD | |
| 1 | Ensamblaje del tanque de combustible | 2151-0048-01 | 2151-0049-01 | 1 |
| 2 | Perno de drenaje de combustible | 4329-0072-00 | 4329-0072-00 | 1 |
| 3 | Indicador de combustible | 2156-0051-00 | 2156-0051-00 | 1 |
| 4 | Ensamble del filtro de combustible | 2155-0001-00 | 2155-0001-00 | 1 |
| 5 | Tapa del combustible | 2151-0041-00 | 2151-0041-00 | 1 |
| 6 | Cable de alimentación | 3980-0275-00 | 3980-0275-00 | 1 |
| 7 | Carcasa inferior | 3111-0506-04 | 3111-0508-04 | 1 |
| 8 | Tornillo de brida | 4319-0015-00 | 4319-0015-00 | 4 |
| 9 | Cojinete-Arandela aislante(S) | 3231-0120-00 | 3231-0120-00 | 1 |
| 10 | Cojinete-Arandela aislante(L) | 3231-0121-00 | 3231-0121-00 | 2 |
| 11 | Tubería de aire | 3341-0036-00 | 3341-0038-00 | 1 |
| 12 | Ensamble de temperatura límite | 2153-0013-00 | 2153-0023-00 | 1 |
| 13 | Tornillo de brida | 4319-0015-00 | 4319-0015-00 | 1 |
| 14 | Ensamble de la cámara | 2152-0294-00 | 2152-0295-00 | 1 |
| 15 | SopORTE de la fotocelda | 3131-0159-00 | 3131-0159-00 | 1 |
| 16 | Tornillo BH1 | 4311-0068-00 | 4311-0068-00 | 1 |
| 17 | Ensamble de la fotocelda | *SP-KFA1007 | *SP-KFA1007 | 1 |
| 18 | Ensamble del cabezal del quemador | 2152-0122-00 | 2152-0123-00 | 1 |
| 18-1 | Cabezal del quemador | 3531-0025-00 | 3531-0024-00 | 1 |
| 18-2 | Boquilla | *SP-KFA1003 | *SP-KFA1004 | 1 |
| 18-3 | Arandela de sello de la boquilla | 4349-0016-00 | 4349-0016-00 | 2 |
| 18-4 | Resorte de sello de la boquilla | 3431-0010-00 | 3431-0010-00 | 1 |
| 18-5 | Junta tórica | 3311-0002-00 | 3311-0002-00 | 1 |
| 18-6 | Adaptador de boquilla | 3231-0179-00 | 3231-0179-00 | 1 |
| 18-7 | Bujía | *SP-KFA1009 | *SP-KFA1009 | 1 |
| 18-8 | Perno-Brida | 4329-0079-00 | 4329-0079-00 | 1 |
| 19 | Tornillo de brida | 4319-0015-00 | 4319-0015-00 | 3 |
| 20 | Tubería de combustible | 3341-0032-00 | 3341-0034-00 | 1 |
| 21 | Ensamble del motor de la bomba | 2154-0141-00 | 2154-0142-00 | 1 |
| 21-1 | Motor | 3970-0211-00 | 3970-0212-00 | 1 |
| 21-2 | Condensador | 3820-0258-00 | 3820-0258-00 | 1 |
| 21-3 | SopORTE del Motor | 3111-0439-00 | 3111-0439-00 | 1 |
| 21-4 | Tuerca hex. | 4331-0022-00 | 4331-0022-00 | 2 |
| 21-5 | Portacondensador | 3231-0182-00 | 3231-0182-00 | 1 |
| 21-6 | Cuerpo de la bomba | 3541-0022-00 | 3541-0022-00 | 1 |
| 21-7 | Perno BH especial | 4321-0198-00 | 4321-0198-00 | 2 |
| 21-8 | Rotor | *SP-KFA1000 ¹ | *SP-KFA1000 ¹ | 1 |
| 21-9 | Aspa | Vea SP-KFA1000 ¹ | Vea SP-KFA1000 ¹ | 4 |
| 21-10 | Inserto | Vea SP-KFA1000 ¹ | Vea SP-KFA1000 ¹ | 1 |
| 21-11 | Cubierta terminal de la bomba | 3531-0027-00 | 3531-0027-00 | 1 |
| 21-12 | Codo | 3231-0181-00 | 3231-0181-00 | 1 |
| 21-13 | Filtro de pelusas | *SP-KFA1005 ² | *SP-KFA1005 ² | 1 |
| 21-14 | Perno-Brida | 4329-0016-00 | 4329-0016-00 | 6 |

**¡NUNCA DEJE EL CALENTADOR
DESATENDIDO CUANDO ESTÉ ENCENDIDO!**

15. LISTA DE PIEZAS (Modelos KFA135DGD/180DGD únicamente)

| CLAVE N° | DESCRIPCIÓN | PIEZA N° | | CANTIDAD |
|-------------|--------------------------------------|-----------------------------|-----------------------------|----------|
| | | KFA135DGD | KFA180DGD | |
| 21-15 | Filtro de salida | Vea SP-KFA1005 ² | Vea SP-KFA1005 ² | 1 |
| 21-16 | Cubierta terminal del filtro | 3221-0076-00 | 3221-0076-00 | 1 |
| 21-17 | Bola | *SP-KFA1010 ³ | *SP-KFA1010 ³ | 1 |
| 21-18 | Resorte | Vea SP-KFA1010 ³ | Vea SP-KFA1010 ³ | 1 |
| 21-19 | Tornillo de ajuste | Vea SP-KFA1010 ³ | Vea SP-KFA1010 ³ | 1 |
| 21-20 | Perno-Brida | 4329-0016-00 | 4329-0016-00 | 4 |
| 21-21 | Filtro de entrada | Vea SP-KFA1005 ² | Vea SP-KFA1005 ² | 1 |
| 22 | Ensamble del ventilador | 2154-0004-00 | 2154-0007-00 | 1 |
| 23 | Dado hexagonal para perno sin cabeza | 4323-0004-00 | 4323-0004-00 | 1 |
| 24 | Indicador de presión | 3740-0049-00 | 3740-0049-00 | 1 |
| 25 | Interruptor de control de BTU | 2154-0070-00 | 2154-0070-00 | 1 |
| 26 | Ensamble del PCB principal | 215A-0074-00 | 215A-0074-00 | 1 |
| 27 | Tornillo TH2S | 4312-0046-00 | 4312-0046-00 | 2 |
| 28 | Encendedor | 39E0-0071-00 | 39E0-0071-00 | 1 |
| 29 | Cubierta lateral-derecha | 3121-0498-17 | 3121-0499-34 | 1 |
| 30 | Interruptor eléctrico | 39A0-0191-00 | 39A0-0191-00 | 1 |
| 31 | Ventana del Visualizador | 3231-0113-00 | 3231-0113-00 | 1 |
| 32 | Tornillo de brida | 4319-0015-00 | 4319-0015-00 | 4 |
| 33 | Cubierta lateral-izquierda | 3121-0352-00 | 3121-0354-00 | 1 |
| 34 | Tornillo de brida | 4319-0015-00 | 4319-0015-00 | 4 |
| 35 | Carcasa superior | 3111-0507-04 | 3111-0509-04 | 1 |
| 36 | Protector del ventilador | 3221-0075-00 | 3221-0075-00 | 1 |
| 37 | Tornillo de brida | 4319-0015-00 | 4319-0015-00 | 8 |

| CLAVE N° | DESCRIPCIÓN | PIEZA N° | | CANTIDAD |
|-------------|--------------------------------|------------|------------|----------|
| | | KFA135DGD | KFA180DGD | |
| 1 | Rotor kit | SP-KFA1000 | SP-KFA1000 | 1 |
| 2 | Kit de filtro | SP-KFA1005 | SP-KFA1005 | 1 |
| 3 | Enchufe/Bomba kit de ajustador | SP-KFA1010 | SP-KFA1010 | 2 |

PARA ASISTENCIA TÉCNICA CONSULTE CON SU DISTRIBUIDOR
LOCAL O CONTÁCTENOS AL:

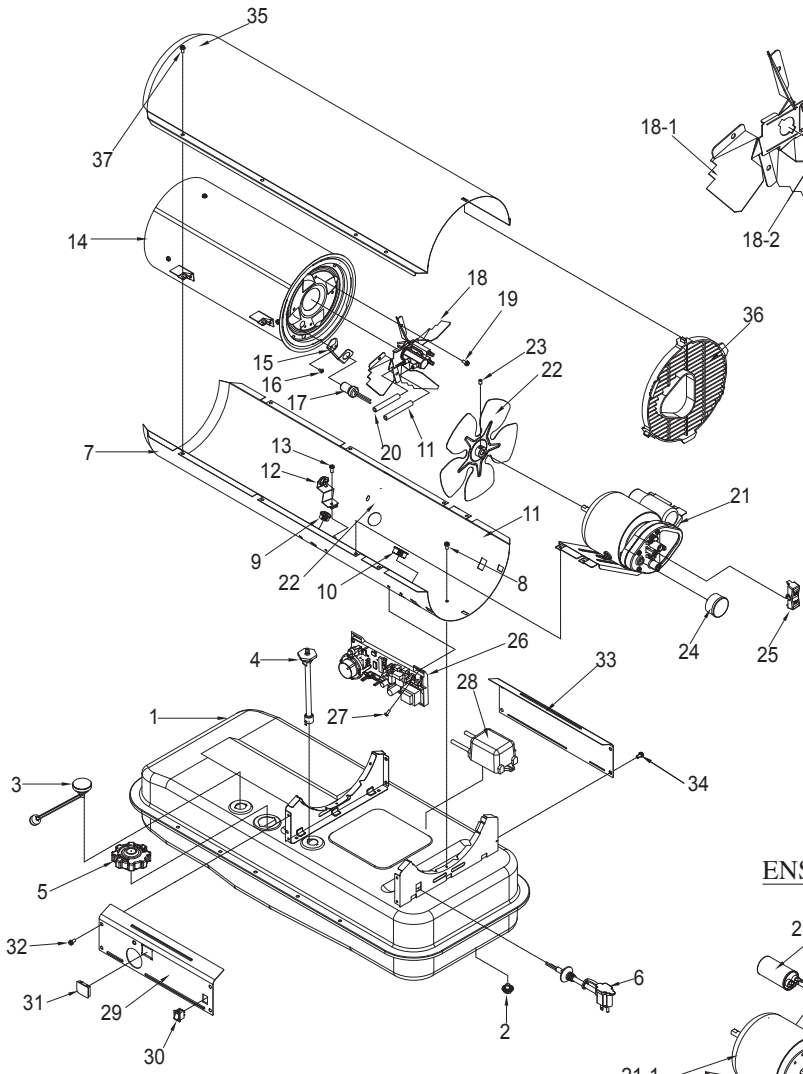
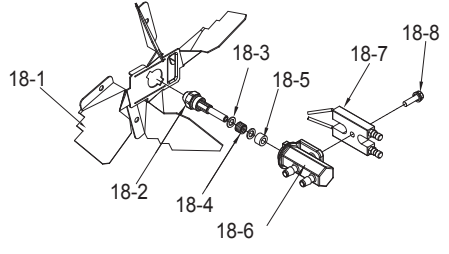
Teléfono: 1-877-447-4768

**¡NUNCA DEJE EL CALENTADOR
DESATENDIDO CUANDO ESTÉ ENCENDIDO!**

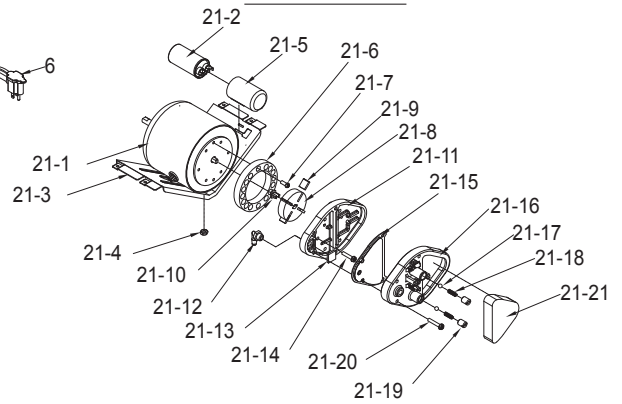
14. PLANO DE DESPIECE (Modelo KFA220DGD únicamente)

NOTA: ESPECIFIQUE EL NÚMERO DE MODELO Y EL NÚMERO DE PIEZA
CUANDO ORDENE REPUESTOS.

ENSAMBLE DEL CABEZAL
DEL QUEMADOR



ENSAMBLE DEL MOTOR
Y LA BOMBA



**¡NUNCA DEJE EL CALENTADOR
DESATENDIDO CUANDO ESTÉ ENCENDIDO!**

15. LISTA DE PIEZAS (Modelo KFA220DGD únicamente)

| CLAVE N° | DESCRIPCIÓN | PIEZA N° | CANTIDAD |
|-------------|--------------------------------------|------------------------------|----------|
| | | KFA220DGD | |
| 1 | Ensamblaje del tanque de combustible | 2151-0049-01 | 1 |
| 2 | Perno de drenaje de combustible | 4329-0072-00 | 1 |
| 3 | Indicador de combustible | 2156-0052-00 | 1 |
| 4 | Ensamble del filtro de combustible | 2155-0001-00 | 1 |
| 5 | Tapa del combustible | 2151-0041-00 | 1 |
| 6 | Cable de alimentación | 3980-0275-00 | 1 |
| 7 | Carcasa inferior | 3111-0504-04 | 1 |
| 8 | Tornillo de brida | 4319-0015-00 | 4 |
| 9 | Cojinete-Arandela aislante(S) | 3231-0120-00 | 1 |
| 10 | Cojinete-Arandela aislante(L) | 3231-0121-00 | 1 |
| 11 | Tubería de aire | 3341-0036-00 | 1 |
| 12 | Ensamble de temperatura límite | 2153-0005-00 | 1 |
| 13 | Tornillo de brida | 4319-0015-00 | 1 |
| 14 | Ensamble de la cámara | 2152-0302-00 | 1 |
| 15 | Soporte de la fotocelda | 3131-0159-00 | 1 |
| 16 | Tornillo BH1 | 4311-0068-00 | 2 |
| 17 | Ensamble de la fotocelda | *SP-KFA1007 | 1 |
| 18 | Ensamble del cabezal del quemador | 2152-0124-00 | 1 |
| 18-1 | Cabezal del quemador | 3121-0477-00 | 1 |
| 18-2 | Boquilla | *SP-KFA1011 | 1 |
| 18-3 | Arandela de sello de la boquilla | 4349-0016-00 | 1 |
| 18-4 | Resorte de sello de la boquilla | 3431-0010-00 | 1 |
| 18-5 | Junta tórica | 3311-0002-00 | 1 |
| 18-6 | Boquilla del adaptador | 3231-0180-00 | 1 |
| 18-7 | Bujía | *SP-KFA1021 | 1 |
| 18-8 | Perno-Brida | 4329-0079-00 | 1 |
| 19 | Tornillo de brida | 4319-0015-00 | 4 |
| 20 | Tubería de combustible | 3341-0039-00 | 1 |
| 21 | Ensamble del motor de la bomba | 2154-0137-00 | 1 |
| 21-1 | Moto | 3970-0213-00 | 1 |
| 21-2 | Condensador | 3820-0258-00 | 1 |
| 21-3 | Soporte del Motor | 3111-0439-00 | 1 |
| 21-4 | Tuerca hex. | 4331-0022-00 | 2 |
| 21-5 | Portacondensador | 3231-0182-00 | 1 |
| 21-6 | Cuerpo de la bomba | 3541-0050-00 | 1 |
| 21-7 | Perno BH especial | 4321-0198-00 | 2 |
| 21-8 | Rotor | Voir SP-KFA1022 ¹ | 1 |
| 21-9 | Aspa | Voir SP-KFA1022 ¹ | 4 |
| 21-10 | Inserto | Voir SP-KFA1022 ¹ | 1 |
| 21-11 | Cubierta terminal de la bomba | 3531-0027-00 | 1 |
| 21-12 | Codo | 3231-0181-00 | 1 |
| 21-13 | Filtro de pelusas | Voir SP-KFA1005 ² | 1 |
| 23-14 | Perno-Brida | 4329-0016-00 | 6 |

**¡NUNCA DEJE EL CALENTADOR
DESATENDIDO CUANDO ESTÉ ENCENDIDO!**

15. LISTA DE PIEZAS (Modelo KFA220DGD únicamente)

| CLAVE Nº | DESCRIPCIÓN | PIEZA Nº | CANTIDAD |
|-------------|--------------------------------------|------------------------------|----------|
| | | KFA220DGD | |
| 21-15 | Filtro de salida | Voir SP-KFA1005 ² | 1 |
| 21-16 | Cubierta terminal del filtro | 3221-0076-00 | 1 |
| 21-17 | Bola | Voir SP-KFA1010 ³ | 2 |
| 21-18 | Resorte | Voir SP-KFA1010 ³ | 2 |
| 21-19 | Tornillo de ajuste | Voir SP-KFA1010 ³ | 2 |
| 21-20 | Perno-Brida | 4329-0016-00 | 4 |
| 21-21 | Filtro de entrada | Voir SP-KFA1005 ² | 1 |
| 22 | Ensamble del ventilador | 2154-0007-00 | 1 |
| 23 | Dado hexagonal para perno sin cabeza | 4323-0004-00 | 1 |
| 24 | Indicador de presión | 3740-0049-00 | 1 |
| 25 | Válvula de control de BTU | 2154-0070-00 | 1 |
| 26 | Ensamble del PCB principal | 215A-0074-00 | 1 |
| 27 | Tornillo TH2S | 4312-0046-00 | 2 |
| 28 | Encendedor | 39E0-0071-00 | 1 |
| 29 | Cubierta lateral-derecha | 3121-0499-35 | 1 |
| 30 | Interruptor eléctrico | 39A0-0191-00 | 1 |
| 31 | Ventana del Visualizador | 3231-0113-00 | 1 |
| 32 | Tornillo de brida | 4319-0015-00 | 4 |
| 33 | Cubierta lateral-izquierda | 3121-0354-00 | 1 |
| 34 | Tornillo de brida | 4319-0015-.00 | 4 |
| 35 | Carcasa superior | 3111-0505-04 | 1 |
| 36 | Protector del ventilador | 3221-0075-00 | 1 |
| 37 | Tornillo de brida | 4319-0015-00 | 8 |

| KEY NO. | DESCRIPCIÓN | PIEZA Nº | CANTIDAD |
|---------|--------------------------------|------------------|----------|
| | | KFA220DGD | |
| 1 | Rotor kit | SP-KFA1022 | 1 |
| 2 | Kit de filtro | SP-KFA1005 | 1 |
| 3 | Enchufe/Bomba kit de ajustador | SP-KFA1010 | 2 |

PARA ASISTENCIA TÉCNICA CONSULTE CON SU DISTRIBUIDOR
LOCAL O CONTÁCTENOS AL:

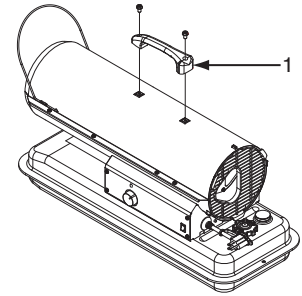
Teléfono: 1-877-447-4768

**¡NUNCA DEJE EL CALENTADOR
DESATENDIDO CUANDO ESTÉ ENCENDIDO!**

15. LISTA DE PIEZAS (RUEDAS Y ASA)

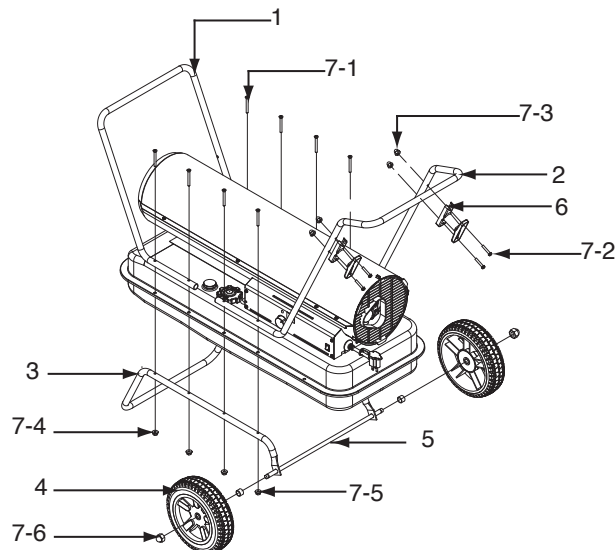
1) MODELOS KFA50DGD/80DGD

| CLAVE N° | DESCRIPCIÓN | PIEZA N° | | CANTIDAD |
|----------|-------------|--------------|--------------|----------|
| | | KFA50DGD | KFA80DGD | |
| 1 | Manija | 3231-0073-00 | 3231-0073-00 | 1 |



2) MODELOS KFA135/180/220DGD

| CLAVE N° | DESCRIPCIÓN | PIEZA N° | | CANTIDAD |
|----------|-------------------------------------|----------------------------------|----------------------------------|----------|
| | | KFA135DGD | KFA180/220DGD | |
| 1 | Manija frontal | 3551-0023-00 | 3551-0022-00 | 1 |
| 2 | Manija trasera | 3551-0096-00 | 3551-0097-00 | 1 |
| 3 | Estructura de soporte de las ruedas | 3551-0082-00 | 3551-0084-00 | 1 |
| 4 | Rueda | 3720-0017-00 | 3720-0017-00 | 2 |
| 5 | Eje roscado | 3551-0088-00 | 3551-0089-00 | 1 |
| 6 | Portacable | 3221-0042-00 | 3221-0042-00 | 2 |
| 7 | Kit de herrajes | HW-KFA1016 | HW-KFA1016 | 1 |
| 7-1 | Tornillo de brida | Incluido en el kit de accesorios | Incluido en el kit de accesorios | 8 |
| 7-2 | Tuercas de caperuza S | Incluido en el kit de accesorios | Incluido en el kit de accesorios | 4 |
| 7-3 | Tuerca | Incluido en el kit de accesorios | Incluido en el kit de accesorios | 4 |
| 7-4 | Cojinete | Incluido en el kit de accesorios | Incluido en el kit de accesorios | 8 |
| 7-5 | Tuerca de caperuza L | Incluido en el kit de accesorios | Incluido en el kit de accesorios | 2 |
| 7-6 | Tablilla | Incluido en el kit de accesorios | Incluido en el kit de accesorios | 2 |



GARANTÍA

GARANTÍA LIMITADA:

Esta garantía limitada es extendida al comprador original al detalle de este Calentador de Aire Forcاده/ Convección/ Radiante y garantiza contra cualquier defecto en materiales y funcionamiento por un periodo de un (1) año desde la fecha de venta al detalle. GHP Group, Inc., como su opción, proporcionará ya sea el reemplazo de partes o la reparación de la unidad, cuando esta sea propiamente devuelta al minorista al que le fue comprado o a uno de nuestros centros de servicio como lo indica GHP Group, Inc., por un periodo de un (1) año siguiente a la fecha de compra al detalle. (Los costos de envío, mano de obra, etc. son responsabilidad del comprador.)

DEBERES DEL PROPIETARIO:

Este aparato de calefacción debe ser operado de acuerdo a las instrucciones escritas proporcionadas con este calentador. Esta garantía no debe ser excusa para el dueño para mantener apropiadamente este calentador acorde con las instrucciones escritas proporcionadas con el mismo. El registro de un recibo de venta, un cheque o pago cancelado debe existir para verificar la fecha de compra y establecer el periodo de garantía. Deba mantener la caja original en caso de retomo de la unidad por medio de la garantía..

LO QUE NO ESTA CUBIERTO:

1. Daño que resulte del uso de combustible inapropiado
2. Daño causado por mal uso o uso contrario a lo especificado en el manual del usuario y los lineamientos de seguridad.
3. Daño causado por la falta de mantenimiento normal
4. Fusibles
5. Uso de partes o accesorios no estándares.
6. Daño causado an tránsito. Los gastos de transporte en las partes o calentadores cubiertos por la garantía hacia y desde la fábrica serán responsabilidad del propietario.

Esta garantía no implica ni asume ninguna responsabilidad de daños consecuentes que puedan resultar del uso, uso erróneo o de la falta de mantenimiento de rutina de este aparato de calefacción. Se cobrará una cuota de limpieza y al costo de partes por las fallas del aparato que resulten de la falta de mantenimiento. Esta garantía no cubre reclamos que no implican trabajo de mano de obra defectuosa o materiales. **EL INCUMPLIMIENTO EN REALIZAR MANTENIMIENTO GENERAL (INCLUYENDO LIMPIEZA) HARÁ INVÁLIDA ESTA GARANTÍA.**

ESTA GARANTÍA LIMITADA ES PROPORCIONADA AL COMPRADOR EN LUGAR DE TODAS LAS OTRAS GARANTÍAS, EXPRESADAS O IMPLÍCITAS, INCLUYENDO PERO NO LIMITADAS A LAS GARANTÍAS DE PROMOCIÓN DE SALUD PARA UN PROPÓSITO PARTICULAR. LA REPARACIÓN PROPORCIONADA EN ESTA GARANTÍA ES EXCLUSIVA Y ESTA GARANTIZADA EN LUGAR DE OTRAS REPARACIONES. BAJO NINGUNA CIRCUNSTANCIA GHP GROUP, INC. SERÁ RESPONSABLE POR DAÑOS INCIDENTALES O CONSECUENTES.

Algunos estados no permiten limitaciones en cuanto tiempo dura una garantía implícita, por lo tanto la siguiente limitación podría no aplicar para usted. Algunos estados no permiten la exclusión o limitación de daños consacuentes o incidentales, por lo tanto la siguiente limitación o exclusión podría no aplicar para usted..

LOS RECLAMOS SE MANEJRÁN COMO SIGUE:

1. Contacte a su vendedor al detalle y explíquele el problema.
2. Si el vendedor no puede resolver el problema, contacte a nuestro Departamento de Garantía al Consumidor detallando el modelo de calentador, el problema y prueba de la fecha de compra
3. Un representante lo contactará. NO DEVUELVA EL CALENTADOR A GHP GROUP, INC. a menos que se lo indique nuestro Representante. Esta garantía le proporciona derechos legales específicos y usted puede tener también otros derechos, los cuales varían de estado en estado.

PARA REGISTRAR LA GARANTÍA DE SU CALENTADOR, POR FAVOR LLENE COMPLETAMENTE ESTA TARJETA Y ENVIELA DENTRO DE LOS SIGUIENTES 14 DÍAS A LA FECHA DE COMPRA O REGÍSTRELA POR INTERNET EN www.ghpgroupinc.com.

NOMBRE: _____ TELEFONO: () _____ CORREO ELECTRONICO: _____
DIRECCIÓN: _____ CIUDAD: _____ ESTADO: _____ CÓDIGO: _____
MODELO: _____ #DE SERIE: _____ FECHA DE COMPRA: _____
VENDEDOR AL QUE SE LO COMPRO: _____ TIPO DE TIENDA: _____
CIUDAD & ESTADO DONDE FUE COMPRADO: _____ PRECIO QUE PAGÓ: _____

Por favor tome un minuto para proporcionarnos su respuesta.

A Las Siguientes Preguntas:

¿Quién decidió primordialmente sobre esta compra? Masculino Femenino 18-24 25-39 40-59 60 años adelante?

¿Tiene usted algún otro calentador portátil? Sí No Si Sí, esabalo _____ Marca _____

¿Cómo pretende usar su nuevo calentador? Lugar de Construcción Granja Bodaga/Comercial Estacionamiento/Fuera del Edificio Otro

¿Cómo se enteró de este calentador? Anuncio Ravista Amigo/Familiar Comercial de Televisión

Vendedor de la tienda Orto _____ Usted: Tiene: Casa Propia Renta

¿Recomendaría usted este calentador a un amigo? Sí No

Por favor díganos sus comentarios: _____

GRACIAS POR COMPLETAR ESTE FORMULARIO!

Information will be held confidential.

La Información será mantenida de manera confidencial.

REGISTRO DE GRATANTÍA

IMPORTANTE: Lo invitamos a completar nuestro formulario de registro de garantía dentro de los siguientes 14 días a la fecha de compta. Usted también puede registrar su garantía en el internet en www.ghpgroupinc.com. Complete el número de serie. Conserve esta parte de la tarjeta como su comprobante.



GHP Group, Inc.
6440 W Howard St
Niles, IL 60714-3302

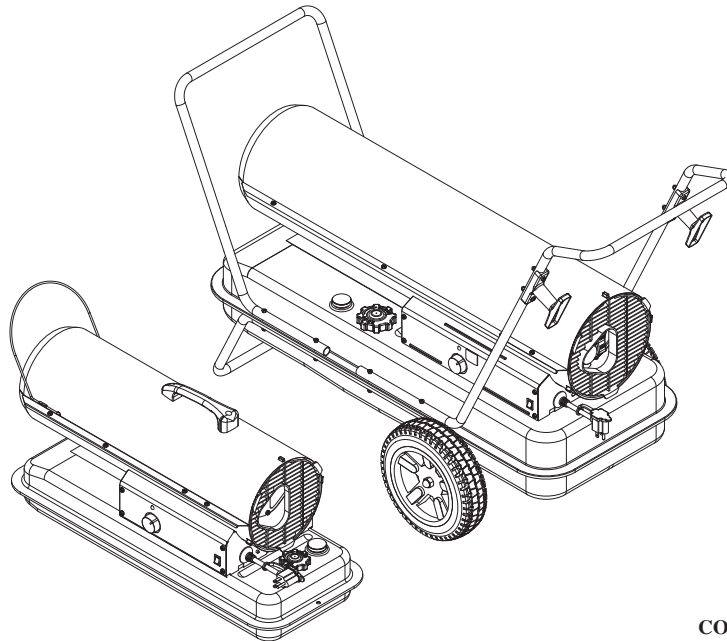
Tel: (877) 447-4768
www.ghpgroupinc.com

¡GUARDE ESTA TARJETA!

Ponga una
Estampa
Postal Aquí

GHP Group, Inc.
6440 W Howard St
Niles, IL 60714-3302

PRODUITS L'INTÉRIEUR
ET POUR L'EXTÉRIEUR
APPAREILS DE CHAUFFAGE PAR
VENTILATION FORCÉE,
PORTATIFS, AU KÉROSÈNE
"GUIDE D'UTILISATION
ET D'INSTRUCTION"



CONFORME AUX NORMES UL733
ET ANSI A10.10-1998
CAN/CSA/B140.0-03
ET CSA B140.8-1967



MODÈLE: **KFA50DGD, KFA80DGD, KFA135DGD**
KFA180DGD, KFA220DGD

Avant d'utiliser cet appareil de chauffage pour la première fois, veuillez lire très attentivement ce GUIDE D'UTILISATION. Ce GUIDE D'UTILISATION vise à vous fournir la méthode appropriée pour assembler, entretenir, entreposer et, plus importante encore, pour utiliser l'appareil de chauffage de façon sûre et efficace. Veuillez le conserver pour pouvoir vous y reporter ultérieurement.

CONSOMMATEUR: Conservez ce guide pour pouvoir vous y reporter ultérieurement.

Questions, problèmes, pièces manquantes? Avant de revenir chez le détaillant, contactez le service à la clientèle par téléphone en composant le 1-877-447-4768 du lundi au vendredi de 8 h 30 à 16 h 30, heure normale du Centre, ou par courriel à customerservice@ghpgroupinc.com.

IMKFADG-KDS

**NE LAISSEZ JAMAIS L' APPAREIL DE
CHAUFFAGE ALLUMÉ SANS SURVEILLANCE!**

⚠ DANGER: L'UTILISATION NON APPROPRIÉE DE CET APPAREIL DE CHAUFFAGE PEUT ENTRAÎNER DES BLESSURES GRAVES VOIRE MORTELLES PAR SUITE DE BRÛLURES, D'UN FEU, D'UNE EXPLOSION OU D'UN CHOC ÉLECTRIQUE ET/OU D'UN EMPOISONNEMENT AU MONOXYDE DE CARBONE.

⚠ AVERTISSEMENTS:

1. RISQUE DE POLLUTION DE L'AIR INTÉRIEUR!

- **Utilisez cet appareil de chauffage uniquement dans les endroits bien ventilés.** Afin de laisser pénétrer l'air frais extérieur, prévoyez une ouverture minimum de 2 800 cm² (3/4 pi²) par 100 000 BTU/h de débit calorifique.
- Les personnes souffrant de problèmes respiratoires devraient consulter un médecin avant d'utiliser l'appareil de chauffage.
- **Empoisonnement au monoxyde de carbone:** Les signes précurseurs d'un empoisonnement au monoxyde de carbone sont comparables à une grippe avec maux de tête, étourdissements et/ou nausées. Si vous éprouvez ces symptômes, l'appareil de chauffage pourrait ne pas fonctionner correctement. **Placez-vous immédiatement à l'air frais!** Faites réparer l'appareil de chauffage. Le monoxyde de carbone est plus dangereux pour certaines personnes que pour d'autres, notamment pour les femmes enceintes, les personnes souffrant de maladies cardiaques ou pulmonaires, d'anémies, les personnes ayant les facultés affaiblies par l'alcool ou se trouvant en haute altitude.
- N'utilisez jamais cet appareil de chauffage dans les chambres ou les salles de séjour.

2. RISQUE DE BRÛLURES/FEU/EXPLOSION!

- N'utilisez **JAMAIS** de Combustibles dans cet appareil de chauffage : Diesel # 1 / # 2 / mazout, JET A ou JP-8.
- N'utilisez **JAMAIS** de combustible tel que de l'essence, du benzène, du diluant de peinture ou autre composé de pétrole dans cet appareil de chauffage. **(RISQUE DE FEU OU D'EXPLOSION)**
- N'utilisez **JAMAIS** cet appareil de chauffage dans un endroit qui pourrait contenir des vapeurs inflammables.
- **NE** remplissez **JAMAIS** la bonbonne de combustible tandis que l'appareil de chauffage fonctionne ou est encore chaud.

⚠ MISE EN GARDE: Cet appareil est très chaud lorsqu'il fonctionne. Il ne faut pas le toucher. Tenez les enfants, les vêtements et les matériaux combustibles à l'écart de l'appareil de chauffage.

Dégagements minimums: prise de courant : 250 cm (8 pi)/côtés, dessus et arrière : 125 cm (4 pi)

- **NE** bloquez **JAMAIS** l'arrivée d'air (arrière) ou la sortie d'air (avant) de l'appareil de chauffage.
- Ne faites **JAMAIS** passer de conduits devant ou derrière l'appareil de chauffage.
- Ne **JAMAIS** déplacer ou manipuler l'appareil pendant qu'il est chaud, exploitation ou branché.
- Ne transportez **JAMAIS** l'appareil de chauffage avec du combustible dans le réservoir.
- Lorsqu'il est utilisé avec un thermostat en option ou si elle est équipée d'un thermostat, le chauffage peut commencer à tout moment.
- Placez **TOUJOURS** l'appareil de chauffage sur une surface stable et de niveau.
- Tenez **TOUJOURS** les enfants et les animaux domestiques à l'écart de l'appareil de chauffage.
- Le combustible devrait être entreposé à une distance minimum de 7,6 m (25 pi) des appareils de chauffage, torches, générateurs portatifs et autres sources inflammables. Tout lieu d'entreposage de combustible doit être conforme aux exigences des autorités fédérales, locales et de l'État qui ont juridiction.

3. RISQUE DE CHOC ÉLECTRIQUE!

- Utilisez l'énergie électrique (tension et fréquence) spécifiée sur la plaque du modèle de l'appareil de chauffage.
- Utilisez uniquement une prise de courant à trois broches, mise à la terre, et une rallonge.
- Installez **TOUJOURS** le chauffage électrique de sorte qu'il ne soit pas directement exposé à la pulvérisation d'eau, à la pluie, aux gouttes d'eau ou au vent.
- Débranchez **TOUJOURS** l'appareil de chauffage lorsque vous ne l'utilisez pas.

⚠ AVERTISSEMENT: Ce produit et le combustible utilisé pour le faire fonctionner (kérosène ou autre combustible approuvé), de même que les produits de sa combustion, peuvent vous exposer à des substances chimiques comme le benzène, reconnu par l'État de la Californie comme causant le cancer et des problèmes de reproduction.

Pour plus de renseignements, visitez le www.p65Warnings.ca.gov

RÉSIDENTS DU MASSACHUSETTS: la loi de l'État du Massachusetts interdit l'utilisation de cet appareil de chauffage dans tout bâtiment utilisé totalement ou en partie aux fins d'habitation. Dans l'État du Massachusetts, l'utilisation de cet appareil de chauffage requiert l'autorisation du service d'incendie local (M.E.L.C. 148, Section 10A.)

RÉSIDENTS DU CANADA: l'utilisation de cet appareil de chauffage doit répondre aux exigences des autorités ayant juridiction et de la norme canadienne CSA B139.

RÉSIDENTS DE NEW YORK: utilisation uniquement sur les chantiers, conformément aux codes de la Ville de New York, en vertu du certificat d'approbation n° 5034 et 5037 des Services d'incendie de New York (NYCFD).

**NE LAISSEZ JAMAIS L'APPAREIL DE
CHAUFFAGE ALLUMÉ SANS SURVEILLANCE!**

TABLE DES MATIÈRES DU GUIDE D'UTILISATION

| <u>ARTICLE</u> | <u>PAGE N°</u> |
|--|-------------------|
| PRÉCAUTIONS – GUIDE DES RÈGLES DE SÉCURITÉ | 1 |
| 1. INTRODUCTION | 2 |
| 2. COMPOSANTS | 2 |
| 3. DÉBALLAGE ET ASSEMBLAGE | 4 |
| 4. CHOIX DE COMBUSTIBLES | 6 |
| 5. APERÇU DE L'APPAREIL DE CHAUFFAGE | 7 |
| 6. ALIMENTATION DE VOTRE APPAREIL DE CHAUFFAGE | 8 |
| 7. UTILISATION | 8 |
| 8. ENTREPOSAGE À LONG TERME DE VOTRE APPAREIL DE CHAUFFAGE | 9 |
| 9. MAINTENANCE | 10 |
| 10. REMPLACEMENT D'UN FUSIBLE | 14 |
| 11. GUIDE DE DÉPISTAGE DES PANNES | 15 |
| 12. DIAGRAMME DE CÂBLAGE | 16 |
| 13. CARACTÉRISTIQUES | 17 |
| 14. VUE ÉCLATÉE DES PIÈCES | 18&21&24 |
| 15. LISTE DES PIÈCES | 19,20&22,23&25,26 |

1. INTRODUCTION

Veuillez lire attentivement ce GUIDE D'UTILISATION. Il vous indique comment assembler, entretenir et utiliser l'appareil de chauffage de façon sûre et efficace afin de bénéficier de tous les avantages de ses nombreuses fonctions intégrées.

2. COMPOSANTS

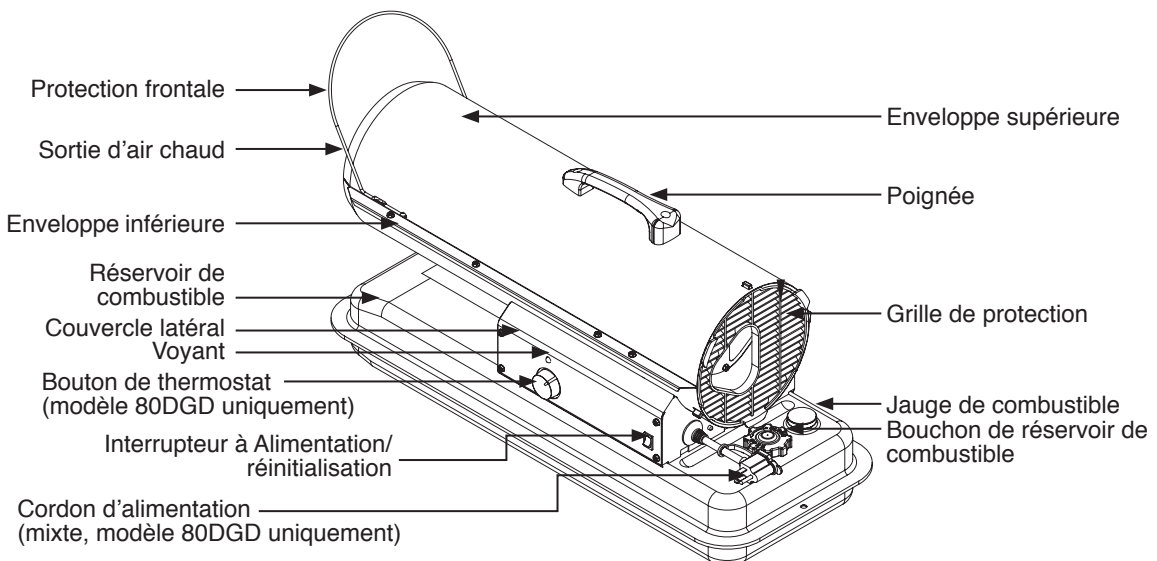


Figure 1. MODÈLE KFA50DGD/80DGD

**NE LAISSEZ JAMAIS L'APPAREIL DE
CHAUFFAGE ALLUMÉ SANS SURVEILLANCE!**

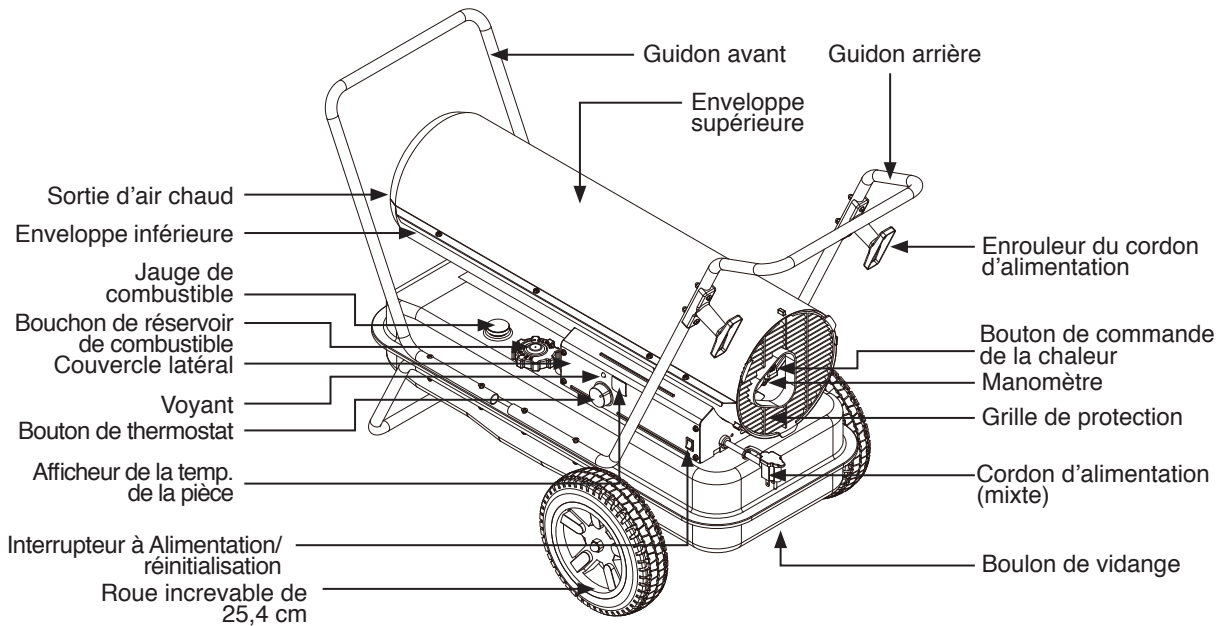


Figure 2. MODÈLE KFA135DGD

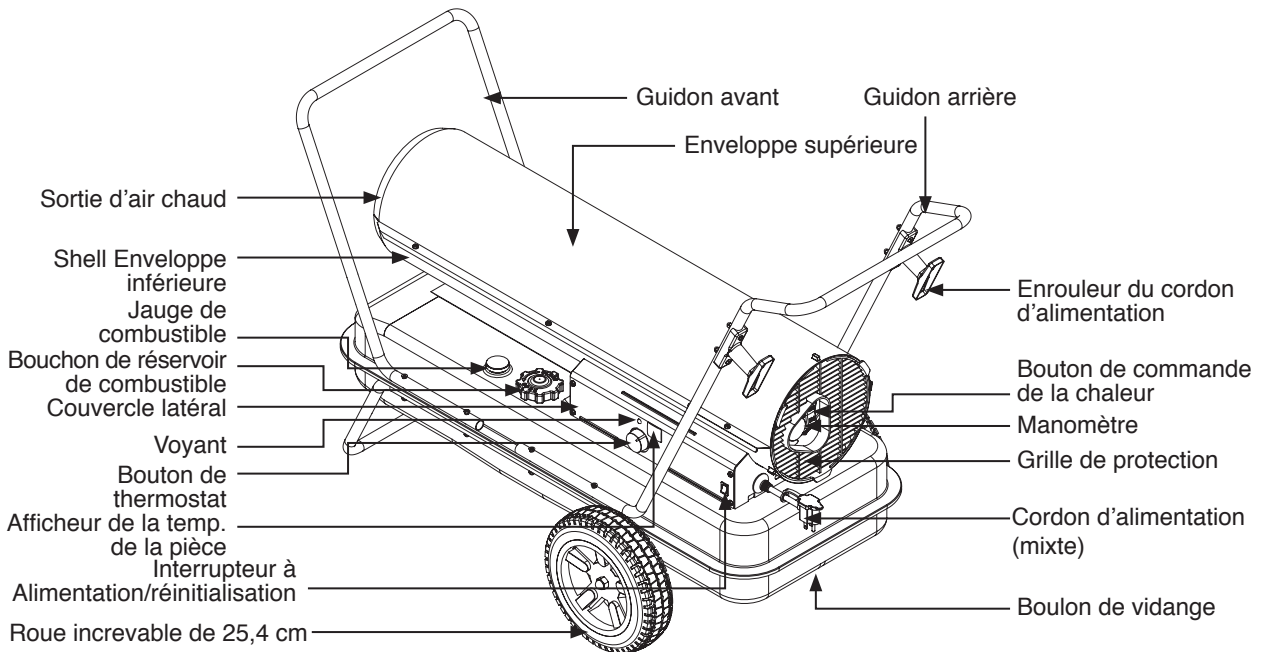


Figure 3. MODÈLES KFA180/220DGD

NE LAISSEZ JAMAIS L'APPAREIL DE CHAUFFAGE ALLUMÉ SANS SURVEILLANCE!

3. DÉBALLAGE ET ASSEMBLAGE

ENLEVEZ L'APPAREIL DE CHAUFFAGE ET TOUT LE MATÉRIEL D'EMBALLAGE DE LA BOÎTE. Fig. 4 et 5) REMARQUE: Conservez le carton et le matériel d'emballage aux fins d'entreposage ultérieur.

| | KFA50DGD KFA80DGD | KFA135DGD | KFA180DGD KFA220DGD |
|---|------------------------------|------------------|--------------------------------|
| Cadre-support de roue | Non | Oiu | Oiu |
| Roue | Non | Oiu | Oiu |
| Axe fileté | Non | Oiu | Oiu |
| Guidon avant | Non | Oiu | Oiu |
| Guidon arrière | Non | Oiu | Oiu |
| Poignée | Oiu | Non | Non |
| Enrouleur du câble d'alimentation | Non | Oiu | Oiu |
| Jeu de pièces de quincaillerie : HW-KFA1016 | Non | Oiu | Oiu |

Figure 4. MODÈLES KFA50DGD/80DGD

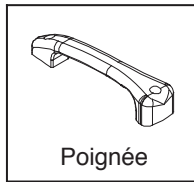
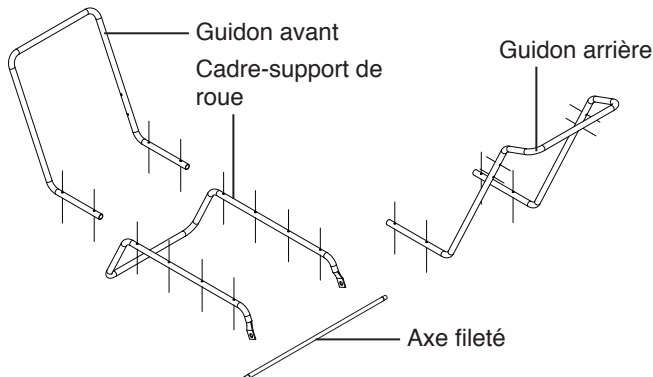
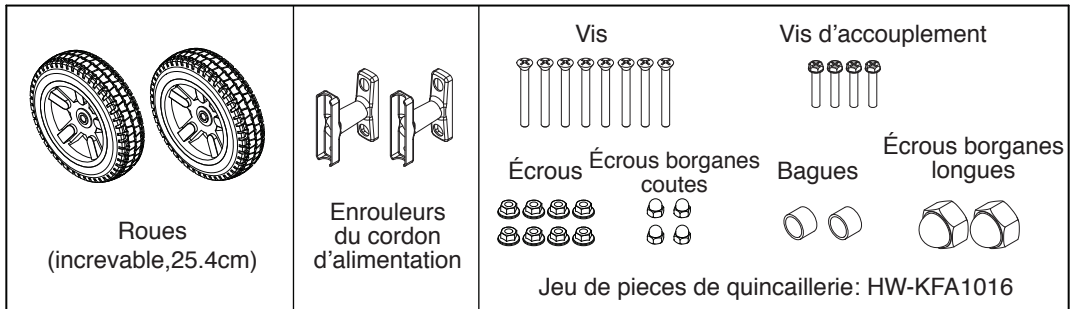


Figure 5. MODÈLES KFA135/180/220DGD



NE LAISSEZ JAMAIS L'APPAREIL DE CHAUFFAGE ALLUMÉ SANS SURVEILLANCE!

2. ASSEMBLAGE

Pour les modèle KFA50DGD/80DGD uniquement.
(Assemblée de temps pour ce produit est de 3 minutes.)

Outils nécessaires

- Tournevis Phillips moyen

- 1) Soulevez la protection frontale pour déterminer le sens de la flèche et assurez-vous que la section oblique de la protection s'engage dans la fente de l'enveloppe supérieure.
- 2) Retirez les vis pré-assemblés sur la coque supérieure et le couvercle latéral.
- 3) Fixez la poignée à l'aide des vis fournies.
- 4) Fixez la poignée avec les vis retirés.

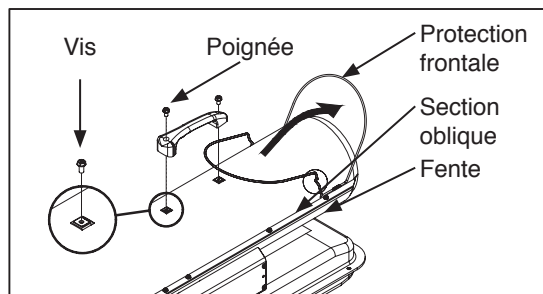


Figure 6. Montage de la Poignée

Pour les modèles KFA135/180/220DGD seulement (Temps d'assemblage : 10 minutes)

Outils nécessaires

- Tournevis Phillips moyen
- Douille de 3/4 po ou clé à molette

- 1) Glissez l'axe fileté dans la section arrière du cadre-support de roue.
- 2) Fixez une bague à chaque extrémité de l'axe. Fixez une roue à chaque extrémité de l'axe. Vissez un écrou à chapeau à chaque extrémité de l'axe et serrez-les bien.
- 3) Placez l'appareil de chauffage sur le cadre-support des roues. Alignez les trous du rebord du réservoir de combustible avec les trous du cadre-support de roues.
- 4) Positionnez les guidons sur le rebord du réservoir de combustible. Insérez les vis dans les guidons, le rebord du réservoir de combustible et le cadre-support des roues, tel qu'illustré à la figure 7, puis fixez solidement le doigt d'écrou après l'insertion de chaque vis.
- 5) Alignez le trou situé sur les guidons avec le trou de montage situé sur l'enrouleur du cordon d'alimentation. Insérez les vis dans l'enrouleur de cordon d'alimentation et fixez solidement le doigt d'écrou après chaque insertion de vis.o.
- 6) Après que toutes les vis ont été insérées, serrez solidement les écrous.

NE LAISSEZ JAMAIS L'APPAREIL DE CHAUFFAGE ALLUMÉ SANS SURVEILLANCE!

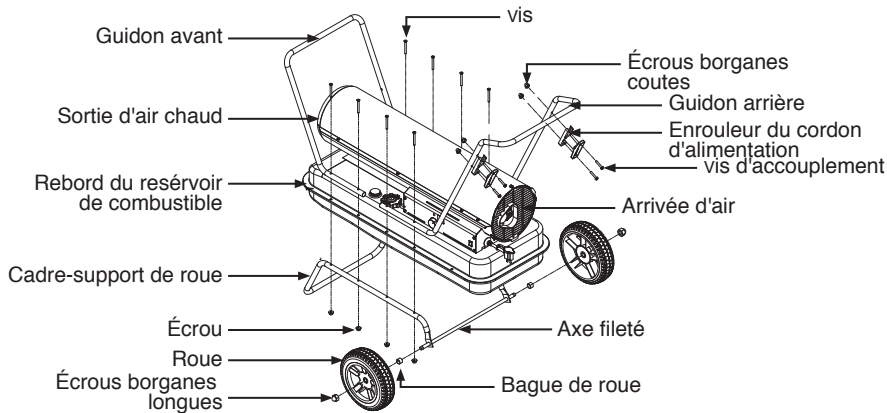


Figure 7. Montage de la Poignée, des Roues et du Câble Rétractable

⚠ MISE EN GARDE: NE FAITES PAS FONCTIONNER l'appareil de chauffage si le cadre-support n'est pas fixé au réservoir. **REMARQUE:** L'appareil de chauffage devrait être inspecté avant chaque utilisation et une fois par an au moins par un technicien qualifié.

4. CHOIX DE COMBUSTIBLES

1. Tous les modèles peuvent utiliser sept combustibles différents : du kérosène K1, du mazout no 1, du diesel n 1, du mazout no 2, du diesel no 2, du carburant JET A et du JP-8.
2. Le kérosène K1 est recommandé pour une combustion et des performances optimales et pour moins d'entretien. Le K-1 est également le meilleur choix de combustible pour les températures extrêmement basses de $-9,4\text{ }^{\circ}\text{C}$ ($15\text{ }^{\circ}\text{F}$) et moins, puisque son point d'écoulement et son point de gélification varient en fonction de la raffinerie, mais sont toujours bien en dessous des températures les plus basses atteintes en Amérique du Nord.
3. Les carburants JET A et JP-8 sont aussi d'excellents choix pour une combustion propre, un entretien réduit et des températures sous $-9,4\text{ }^{\circ}\text{C}$ ($15\text{ }^{\circ}\text{F}$), mais ils sont surtout réservés à l'usage militaire ou à l'industrie de l'aviation.
4. Le mazout no 1, le diesel no 1, le mazout no 2 et le diesel no 2 sont souvent sélectionnés, puisqu'ils sont facilement accessibles. Toutefois, l'utilisateur doit comprendre que le mazout et le diesel sont moins raffinés, et il doit donc être conscient des points suivants :
 - a. Le diesel no 1 et le mazout no 1 dégageront un peu plus de fumé/suie pendant l'allumage ainsi qu'une forte odeur et demanderont un entretien et un nettoyage plus fréquents.
 - b. Le diesel no 2 et le mazout no 2, selon la raffinerie régionale, brûlent de manière plus salissante que les combustibles no 1. L'utilisation des combustibles no 2 entraînera un peu plus de fumée/suie pendant l'allumage, une odeur plus forte et un nettoyage et un entretien plus réguliers que les combustibles no 1.
 - c. À des températures sous $-9,4\text{ }^{\circ}\text{C}$ ($15\text{ }^{\circ}\text{F}$), la majorité des mélanges de diesel/mazout deviendront plus visqueux (commencent à se gélifier), puisque le diesel sera sous son point d'écoulement (commence à se gélifier), ce qui pourrait poser un défi à l'allumage du radiateur et à son utilisation continue. Il existe des étapes de dépannages pour cette situation, mais il est recommandé de sélectionner du K1 (ou du JP-8/JET A) à des températures sous $-9,4\text{ }^{\circ}\text{C}$ ($15\text{ }^{\circ}\text{F}$). Plus les températures sont froides, plus le diesel sera susceptible de se gélifier.
 - d. La gélification du diesel survient lorsque la paraffine utilisée dans ce combustible commence à se solidifier en raison d'une chute de température. À $0\text{ }^{\circ}\text{C}$ ($32\text{ }^{\circ}\text{F}$), la cire sous forme liquide se cristallisera et brouillera le combustible, ce qui pourrait commencer à affecter le filtre à carburant et la buse. Si la buse s'encrasse, la forme du jet ne sera plus la bonne, ce qui peut causer de la fumée blanche et des problèmes de performance.

LE KÉROSÈNE DOIT ÊTRE UNIQUEMENT STOCKÉ DANS UN CONTENANT CLAIREMENT DÉSIGNÉ PAR LE MOT « KÉROSÈNE ». LE KÉROSÈNE NE DOIT JAMAIS ÊTRE STOCKÉ DANS UN CONTENANT ROUGE.

En effet, les contenant rouges sont associés à l'essence

N'entreposez **JAMAIS** le kérosène dans une pièce d'habitation. Le kérosène devrait toujours être entreposé dans un endroit bien ventilé, hors des pièces d'habitation.

N'utilisez **JAMAIS** de combustible autre que du kérosène 1-K (Diesel # 1 / # 2 / mazout / JET A ou JP-8 sont des substituts acceptables).

N'utilisez **JAMAIS** de combustible tel que de l'essence, du benzène, de l'alcool, de l'essence de bateau à moteur, du combustible de réchaud de camping, du diluant de peinture ou autre composé de pétrole dans cet appareil de chauffage. Ces combustibles sont volatiles et peuvent générer une explosion ou des flammes incontrôlables.

N'entreposez **JAMAIS** de kérosène à la lumière directe du soleil ou près d'une source de chaleur.

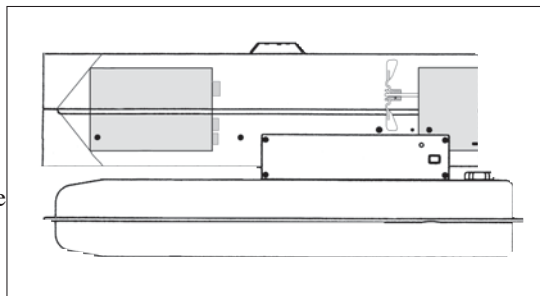
N'utilisez **JAMAIS** de kérosène qui a été entreposé pendant toute une saison. Le kérosène se détériore avec le temps.

LE KÉROSÈNE « USAGÉ » NE BRÛLERA PAS CORRECTEMENT DANS CET APPAREIL DE CHAUFFAGE.

NE LAISSEZ JAMAIS L'APPAREIL DE CHAUFFAGE ALLUMÉ SANS SURVEILLANCE!

5. APERÇU DES APPAREILS DE CHAUFFAGE

Système d'alimentation en combustible: cet appareil de chauffage est équipé d'une pompe à air électrique qui force le passage de l'air dans une conduite d'air connectée à l'admission de combustible, puis dans un ajutage de la tête du brûleur. Lorsque l'air passe dans l'admission de combustible, il fait s'élever le combustible dans le réservoir et dans l'ajutage du brûleur. Ce mélange de combustible et d'air est ensuite pulvérisé sous forme de fin brouillard dans la chambre de combustion.



« **Allumage sûr** »: l'allumeur électronique transmet la tension à une bougie d'allumage spécialement étudiée. La bougie allume le mélange de combustible et d'air décrit ci-dessus.

Système d'air: le moteur ultra-robuste fait tourner un ventilateur qui force le passage de l'air dans et autour d'une chambre de combustion. L'air est alors chauffé et expulsé à l'avant de l'appareil de chauffage.

Système de sécurité:

A. Limiteur de température: cet appareil de chauffage est équipé d'un limiteur de température conçu de façon à éteindre l'appareil de chauffage si la température interne s'élève à un niveau dangereux. Si ce dispositif allume et éteint votre appareil de chauffage, il a peut-être besoin d'être réparé.

| MODÈLES | Température d'extinction interne Plus ou moins 10 degrés | Température de réinitialisation Plus ou moins 10 degrés |
|-----------|---|--|
| KFA50DGD | 176°F/80°C | 122°F/50°C |
| KFA80DGD | 158°F/70°C | 104°F/40°C |
| KFA135DGD | 158°F/70°C | 104°F/40°C |
| KFA180DGD | 230°F/110°C | 194°F/90°C |
| KFA220DGD | 194°F/90°C | 140°F/60°C |

Dès que la température chute au-dessous de la température de réinitialisation, vous pouvez rallumer votre appareil de chauffage.

B. Protection de circuit électrique: le circuit électrique et les autres composants électriques des appareils de chauffage sont protégés des dommages par un fusible monté sur l'assemblage de cartes de circuits imprimés. Si votre appareil de chauffage tombe en panne, vérifiez tout d'abord le fusible et remplacez-le au besoin.

| | | |
|-------------------------|------------------|----------------|
| TYPE DE FUSIBLE: | Tous les Modèles | 125 volt / 8 A |
|-------------------------|------------------|----------------|

C. Détecteur d'extinction: utilise une cellule photo-électrique pour surveiller la flamme dans la chambre de combustion pendant le fonctionnement normal de l'appareil. Le fonctionnement de l'appareil de chauffage est interrompu si la flamme du brûleur s'éteint.

NE LAISSEZ JAMAIS L'APPAREIL DE CHAUFFAGE ALLUMÉ SANS SURVEILLANCE!

6. ALIMENTATION DE VOTRE APPAREIL DE CHAUFFAGE

NE REMPLISSEZ JAMAIS LE RÉSERVOIR DE COMBUSTIBLE DE L'APPAREIL DE CHAUFFAGE DANS UNE PIÈCE D'HABITATION : REMPLISSEZ-LE À L'EXTÉRIEUR. NE LE REMPLISSEZ PAS EXCESSIVEMENT ET ASSUREZ-VOUS QUE L'APPAREIL DE CHAUFFAGE EST DE NIVEAU.

REMARQUE IMPORTANTE SUR LE PREMIER ALLUMAGE DE L'APPAREIL DE CHAUFFAGE:

La première fois que vous allumez l'appareil de chauffage, vous devriez le faire à l'extérieur. Ainsi, les huiles, etc., utilisées dans le processus de fabrication de l'appareil de chauffage peuvent être éliminées à l'extérieur.

⚠ AVERTISSEMENT!! : NE REMPLISSEZ JAMAIS LE RÉSERVOIR DE COMBUSTIBLE DE L'APPAREIL DE CHAUFFAGE PENDANT QUE L'APPAREIL FONCTIONNE OU TANT QU'IL EST ENCORE CHAUD.

7. UTILISATION

A.) VENTILATION

RISQUE DE POLLUTION DE L'AIR INTÉRIEUR/UTILISEZ L'APPAREIL DE CHAUFFAGE UNIQUEMENT DANS DES ENDROITS BIEN VENTILÉS.

Afin de laisser pénétrer l'air frais extérieur, prévoyez une ouverture minimum de 2 800 cm² (3/4 pi²) par 100 000 BTU/h de débit calorifique. Plus d'air frais sera nécessaire si vous utilisez plus d'appareils de chauffage.

Exemple : un appareil de chauffage KFA220DGD requiert, au choix:

un garage pour deux véhicules surélevé de 15,24 cm (6 po)

un garage pour un seul véhicule surélevées de 22,86 cm (9 po)

Deux dénêtres de 76,20 cm (30 po) surélevées de 38,10 cm (15 po)

B.) UTILISATION POUR ALLUMER L'APPAREIL DE CHAUFFAGE

1. Remplir le réservoir de combustible avec du combustible. NOTE: Le kérosène est recommandé lorsque la température descend en dessous de 0 °F (-18 °C) pour éviter le retard ou l'échec de l'ignition.
2. Fixez le bouchon du réservoir de combustible.
3. Branchez le cordon d'alimentation de l'appareil de chauffage dans une rallonge mise à la terre à trois broches. La rallonge doit mesurer 1,80 m (6 pi) de long au moins.
Calibre des fils de rallonge requis:
 - avec une rallonge de 1,80 à 30,50 m (6 à 100 pi) de long, utilisez un conducteur de calibre 16 AWG.
 - avec rallonge de 30,80 à 61 m (101 à 200 pi) de long, utilisez un conducteur de calibre 14 AWG.
4. Tournez le bouton de CONTRÔLE DU THERMOSTAT à la température désirée (plage de réglage: de 4,4 °C à 43,3 °C) (modèles KFA80/135/180/220DGD uniquement)
5. Appuyez sur le bouton de commande de la chaleur selon le Niveau "Haut".
"Élevé ou FAIBLE" (consultez la figure 8). (modèles KFA135/180/220DGD uniquement)
6. Poussez l'interrupteur à la position "ON" (ALLUMÉ); le voyant s'allume et l'appareil de chauffage se met en marche
7. Après le démarrage, poussez "interrupteur de commande BTU" au niveau désiré "High-Haut" ou "Low-Bas"

REMARQUE: Explication de l'affichage de la température de la pièce (modèles KFA135/180/220DGD uniquement)

- Lorsque la température de la pièce se situe entre -17,78°C, l'afficheur à DEL indique "Faible" (Lo).
- Lorsque la température de la pièce se situe entre -17,78°C et 37,22 °C, l'afficheur indique la température précise de la pièce.
- Lorsque la température de la pièce est supérieure à 37,22°C, l'afficheur à DEL indique "Élevé" (Hi).
Si l'appareil de chauffage ne se met pas en marche, le thermostat est peut-être réglé trop bas. Tournez le bouton de réglage du thermostat à une position plus élevée pour mettre l'appareil de chauffage en marche
Si l'appareil de chauffage ne se met toujours pas en marche, toujours pas en marche, reportez-vous au Guide de dépannage des pannes, page 15.

REMARQUE: L'utilisateur peut choisir de faire fonctionner l'appareil de chauffage sur deux niveaux différents de BTU (haut ou bas). Pour stabiliser l'appareil et éviter le retard de l'ignition, sélectionnez le niveau de BTU après l'avoir allumé, ou lorsqu'il est en fonctionnement en appuyant sur l'interrupteur de commande BTU. Si l'appareil a démarré au niveau bas de BTU en temps froid ou avec un réservoir faible de combustible, un échec d'ignition peut se produire.

REMARQUE: En temps froid, l'ignition peut être améliorée en tenant un doigt sur l'extrémité de la soupape de décharge ou en bloquant la garde du ventilateur à la moitié avec du papier journal, etc. jusqu'à ce que l'appareil s'allume.

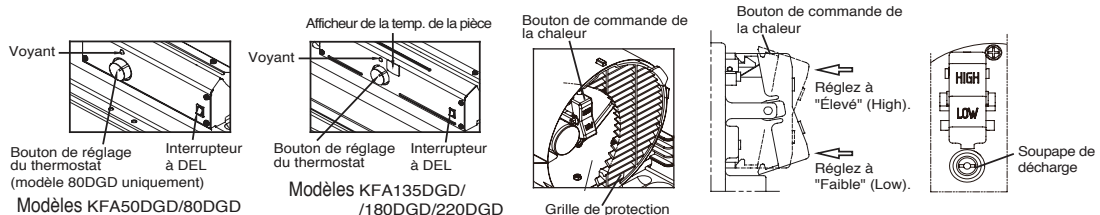


Figure 8. Boutons de réglage de tous les Modèles

NE LAISSEZ JAMAIS L'APPAREIL DE CHAUFFAGE ALLUMÉ SANS SURVEILLANCE!

AVIS: Les principaux composants électriques de cet appareil de chauffage sont protégés par un fusible de sécurité monté sur la carte de circuits imprimés. Si votre appareil de chauffage ne peut pas s'allumer, vérifiez tout d'abord le fusible et remplacez-le au besoin. Vous devriez également vérifier votre source d'alimentation afin de vous assurer que la tension et la fréquence appropriées sont fournies à l'appareil de chauffage.

POUR ÉTEINDRE L'APPAREIL DE CHAUFFAGE

1. Mettez l'interrupteur à la position « OFF » (ARRÊT) et débranchez le cordon d'alimentation.

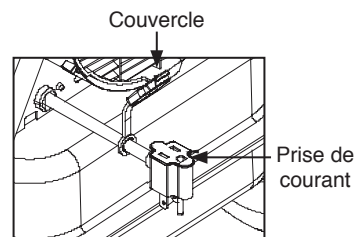
POUR RALLUMER L'APPAREIL DE CHAUFFAGE

1. Patientez 10 secondes après avoir éteint l'appareil de chauffage.
2. Répétez les étapes ci-après pour allumer l'appareil de chauffage.

CORDON D'ALIMENTATION MIXTE

▲ AVERTISSEMENT : RISQUE DE CHOC ÉLECTRIQUE!

- Couvrez toujours la prise de courant lorsque vous ne l'utilisez pas.
- Ne branchez pas et n'utilisez pas un appareil utilisant un courant de plus de 120 V/60 Hz 5A avec cette prise.



Modèles KFA80/135/180/220DGD uniquement

Figure 9. Cordon d'alimentation mixte

8. ENTREPOSAGE À LONG TERME DE VOTRE APPAREIL DE CHAUFFAGE

VIDAGE DE L'APPAREIL DE CHAUFFAGE

1. Videz le réservoir de combustible par l'orifice du bouchon du réservoir.
(Pour les modèles KFA50DGD/80DGD uniquement.)
2. Retirez le boulon de vidange (en bas, à l'arrière du réservoir à combustible) en vous servant d'une douille de 3/4 po ou d'une clé à molette, et videz le réservoir.
(Pour les modèles KFA135/180/220DGD uniquement.) (Voir Figure 10)
3. Brassez une petite quantité de kérosène à l'intérieur du réservoir, puis rincez. Ne mélangez JAMAIS de l'eau avec du kérosène, car l'intérieur du réservoir se rouillerait. Évacuez le kérosène en vous assurant de ne pas en laisser à l'intérieur.

IMPORTANT: N'entrez pas du kérosène pendant les mois d'été pour l'utiliser à la saison de chauffage suivante. L'utilisation de ce kérosène usagé pourrait endommager l'appareil de chauffage.

4. Réinstallez le bouchon du réservoir de combustible. Éliminez correctement le combustible usagé et souillé.
(Pour les modèles KFA50DGD/80DGD uniquement.)
5. À l'aide de la douille de 3/4 po ou de la clé à molette, remplacez le boulon de vidange sur le réservoir à combustible. (Pour les modèles KFA135/180/220DGD uniquement.) (Voir Figure 10)

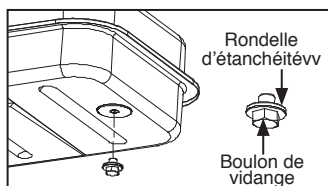


Figure 10. Boulon de vidange

IMPORTANT: Avant de remettre le boulon de vidange en place, assurez-vous que la rondelle d'étanchéité se trouve sur celui-ci, sinon le boulon ne sera pas bien fixé et le combustible s'échappera du réservoir.

6. Entrez l'appareil de chauffage dans un endroit sec et bien ventilé. Assurez-vous que le lieu d'entreposage est exempt de poussières et d'émanations corrosives.
7. Entrez l'appareil de chauffage dans sa boîte d'origine avec le matériel d'emballage et conservez le GUIDE D'UTILISATION avec l'appareil de chauffage.

NE LAISSEZ JAMAIS L'APPAREIL DE CHAUFFAGE ALLUMÉ SANS SURVEILLANCE!

9. ENTRETIEN

⚠ AVERTISSEMENT!!: NE RÉPAREZ JAMAIS L'ENTRETIEN DE L'APPAREIL DE CHAUFFAGE

LORSQU'IL EST BRANCHÉ OU ENCORE CHAUD!

UTILISEZ LES PIÈCES DE RECHANGE D'ÉQUIPEMENT D'ORIGINE. L'utilisation d'autres composants ou de composants de tiers peut annuler la garantie et créer des conditions d'utilisation dangereuses.

A.) RÉSERVOIR DE COMBUSTIBLE

RINCEZ TOUTES LES 200 HERES D'UTILISATION OU AU BESOIN (VOIR ENTREPOSAGE, PAGE 9)

B.) AFILTRE D'ADMISSION D'AIR

LAVEZ À L'EAU SAVONNEUSE ET SÉCHEZ TOUTES LES 500 HEURES D'UTILISATION OU AU BESOIN.

- Enlevez les vis de chaque côté de l'appareil de chauffage à l'aide d'un tournevis Phillips moyen.
- Soulevez l'enveloppe supérieure.
- Retirez la grille de protection.
- Lavez ou remplacez le filtre d'admission d'air.
- Réinstallez la grille de protection et l'enveloppe supérieure.

C.) FILTRE DE SORTIE D'AIR, FILTRE À PELUCHES

REMPLEZ TOUTES LES 500 HEURES D'UTILISATION OU TOUS LES ANS.

- Retirez l'enveloppe supérieure et la grille de protection (voir Filtre d'admission d'air).
- Tournez le manomètre dans le sens contraire des aiguilles d'une montre et retirez-le.
- Enlevez les vis du couvercle de filtre à l'aide d'un tournevis Phillips moyen.
- Enlevez le couvercle de filtre d'extrémité.
- Remplacez le filtre de sortie d'air et le filtre à peluches.
- Réinstallez le couvercle de filtre d'extrémité et le manomètre.
- Réinstallez la grille de protection et l'enveloppe supérieure.

D.) PALES DE VENTILATEUR

NETTOYEZ LES PALES À CHAQUE CHANGEMENT DE SAISON OU AU BESOIN.

- Retirez l'enveloppe supérieure (voir Filtre d'admission d'air).
- À l'aide d'une clé Allen M6, desserrez la vis de calage qui fixe les pales de ventilateur à l'arbre moteur.
- Dégagez les pales de ventilateur de l'arbre moteur.
- Nettoyez les lames de ventilateur avec un chiffon d'eau hu mecté de kérosène ou de solvant.
- Séchez complètement les pales de ventilateur.
- Réinstallez les pales de ventilateur sur l'arbre moteur. Faites affleurer le centre du cercle des pales de ventilateur avec l'extrémité de l'arbre moteur. Placez la vis de calage sur le méplat de l'arbre.
- Serrez solidement la vis de calage (40 - 50 lb-po/4,5 - 5,6 N-m).
- Réinstallez l'enveloppe supérieure.

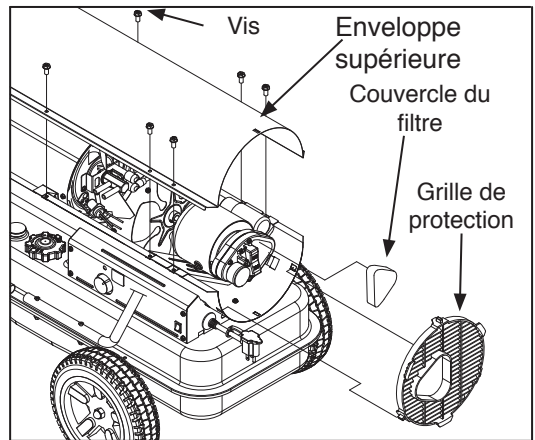


Figure 11. Accès au filtre d'admission d'air

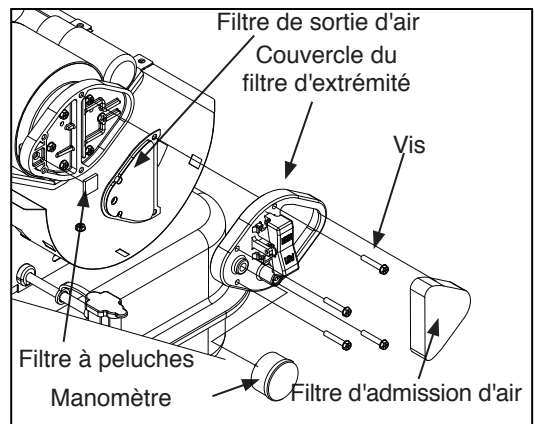


Figure 12. Accès au filtre de sortie d'air

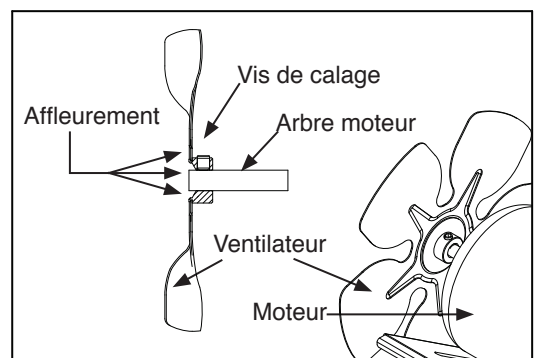


Figure 13. Assemblage du ventilateur

NE LAISSEZ JAMAIS L'APPAREIL DE CHAUFFAGE ALLUMÉ SANS SURVEILLANCE!

E.) AJUTAGE

ENLEVEZ LA SALETÉ DE L'AJUTAGE AU BESOIN
VOIR PAGE 16).

(Pour les modèles KFA50DGD/80DGD/135DGD/180DGD uniquement)

- Retirez l'enveloppe supérieure (voir page 10).
- Retirez les pales de ventilateur (voir page 10).
- Retirez les tuyaux de conduite du gaz et d'air de l'adaptateur de gicleur.
- Retirez le fil de l'allumeur de la bougie d'allumage.
- Retirez la bougie d'allumage de l'adaptateur de gicleur à l'aide d'un tournevis cruciforme de taille moyenne.
- Tournez l'adaptateur de 1/9 de tour (40 °) dans le sens contraire des aiguilles d'une montre et tirez-le vers le moteur pour le retirer. (Consultez la figure 14.)
- Placez le corps hexagonal en plastique dans l'étau et serrez légèrement.
- Enlevez avec précaution l'ajustage de la l'adaptateur de gicleur à l'aide d'une clé à douilles de 5/8 po.
- Dirigez de l'air comprimé sur la face de l'ajutage (vous enlèverez ainsi toute la saleté contenue dans l'ajutage).
- Réinstallez le gicleur dans l'adaptateur jusqu'à ce que le gicleur s'y emboîte. Serrez de 1/3 de tour de plus à l'aide d'une clé à douille de 5/8 po. (40 à 45 lb po)
- Réinstallez l'adaptateur de gicleur à la tête du brûleur.
- Réinstallez la bougie d'allumage sur l'adaptateur de gicleur.
- Fixez le fil de l'allumeur à la bougie d'allumage.
- Posez les tuyaux de conduire de gaz et d'air sur l'adaptateur.
- Réinstallez les pales de ventilateur et l'enveloppe supérieure.

(Pour le modèle KFA220DGD uniquement)

- Retirez l'enveloppe supérieure (voir page 10).
- Retirez le ventilateur (voir page 10).
- Retirez les tuyaux de conduite du gaz et d'air de l'adaptateur de gicleur.
- Retirez le fil d'allumeur de la bougie d'allumage.
- Retirez la bougie d'allumage de l'adaptateur de gicleur à l'aide d'un tournevis cruciforme de taille moyenne.
- Tournez l'adaptateur de 1/8 de tour (45 °) dans le sens contraire des aiguilles d'une montre et tirez-le vers le moteur pour le retirer. (Consultez la figure 15.)
- Placez le corps hexagonal en plastique dans l'étau et serrez légèrement.
- Enleves avec précaution l'adaptateur-ajutage à l'aide d'une clé à douilles de 5/8 po.
- dirigez de l'air comprimé sur la face de l'ajutage (vous enlèverez ainsi toute la saleté contenue dans l'ajutage).
- Réinstallez le gicleur dans l'adaptateur jusqu'à ce que le gicleur s'y emboîte. Serrez de 1/3 de tour de plus à l'aide d'une clé à douille de 5/8 po. (40 à 45 lb po).
- Réinstallez l'adaptateur de gicleur sur le support du brûleur.
- Réinstallez la bougie d'allumage sur l'adaptateur de gicleur.
- Fixez le fil de l'allumeur à la bougie d'allumage.
- Posez les tuyaux de conduire de gaz et d'air sur l'adaptateur.
- Réinstallez les pales de ventilateur et l'enveloppe supérieure.

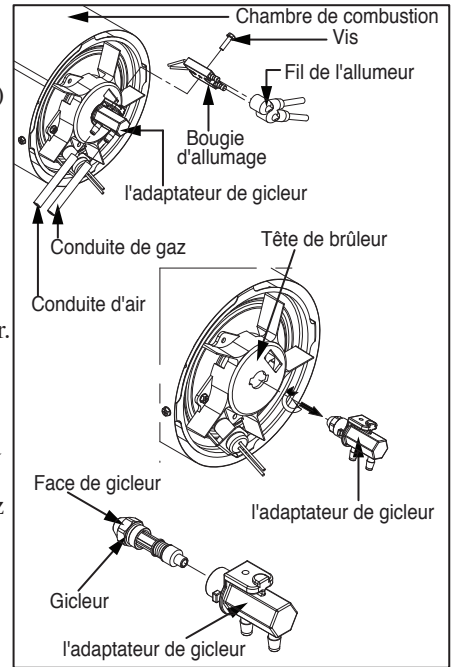


Figure 14. Remplacement du Suceur

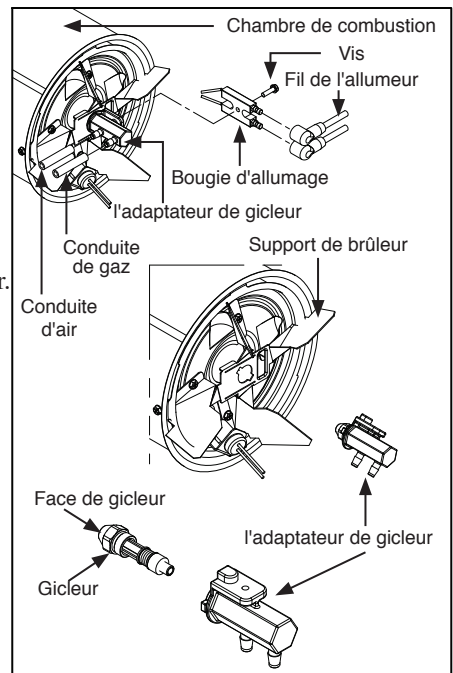


Figure 15. Remplacement du Suceur

NE LAISSEZ JAMAIS L'APPAREIL DE CHAUFFAGE ALLUMÉ SANS SURVEILLANCE!

F.) BOUGIE D'ALLUMAGE

NETTOYEZ ET RAJUSTEZ L'ÉCART TOUTES LES 600 HEURES D'UTILISATION OU REMPLACEZ LA BOUGIE AU BESOIN.

(Pour les modèles KFA50/80/135/180DGD uniquement)

- Retirez l'enveloppe supérieure (voir page 10).
- Retirez le ventilateur (voir page 10).
- Retirez le fil d'allumeur de la bougie d'allumage.
- Retirez la bougie d'allumage de l'adaptateur de gicleur à l'aide d'un tournevis cruciforme de taille moyenne.
- Nettoyez la bougie et rajustez l'écart des électrodes de bougie d'allumage à 3,5 mm (0.138").
- Réinstallez la bougie d'allumage sur l'adaptateur de gicleur.

- Fixez le fil de l'allumeur à la bougie d'allumage.
- Réinstallez le ventilateur et l'enveloppe supérieure.

(Pour le modèle KFA220DGD uniquement)

- Retirez l'enveloppe supérieure (voir page 10).
- Retirez le ventilateur (voir page 10).
- Retirez le fil d'allumeur de la bougie d'allumage.
- Retirez la bougie d'allumage de l'adaptateur de gicleur à l'aide d'un tournevis cruciforme de taille moyenne.
- Nettoyez la bougie et rajustez l'écart des électrodes de bougie d'allumage à 3,5 mm (0.138").
- Réinstallez la bougie d'allumage sur l'adaptateur de gicleur.
- Fixez le fil de l'allumeur à la bougie d'allumage.
- Réinstallez le ventilateur et l'enveloppe supérieure.

G.) CELLULE PHOTO-ÉLECTRIQUE

NETTOYEZ LA CELLULE PHOTO-ÉLECTRIQUE TOUS LES ANS OU AU BESOIN.

- Retirez l'enveloppe supérieure (voir page 10).
- Retirez le ventilateur (voir page 10).
- Retirez la cellule photo-électrique de son support. Nettoyez la lentille de la cellule photo-électrique avec un coton-tige.

POUR LA REMPLACER :

- Enlevez les vis du couvercle latéral à l'aide d'un tournevis Phillips moyen.
- Débranchez les fils d'interrupteur de l'interrupteur et retirez le couvercle latéral.
- Débranchez les fils de la carte de circuits imprimés et retirez la cellule photo-électrique.
- Installez la nouvelle cellule photo-électrique et connectez les fils à la carte de circuits imprimés.
- Rebranchez les fils d'interrupteur de l'interrupteur et remettez le couvercle latéral en place.
- Réinstallez le ventilateur et l'enveloppe supérieure.

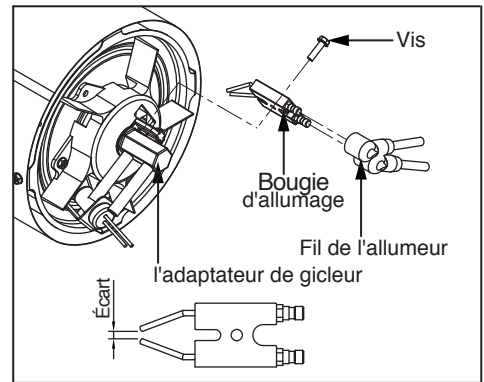


Figure 16. Ajustement de l'écart de la bougie

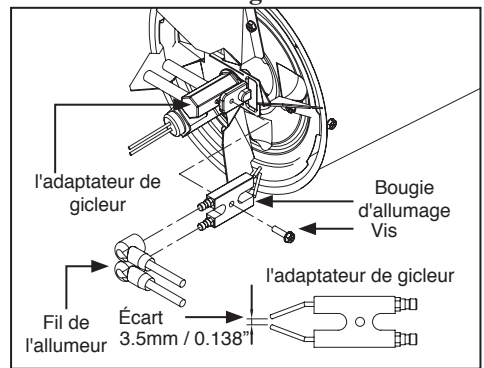


Figure 17. Rajustement de l'écart de la bougie d'allumage

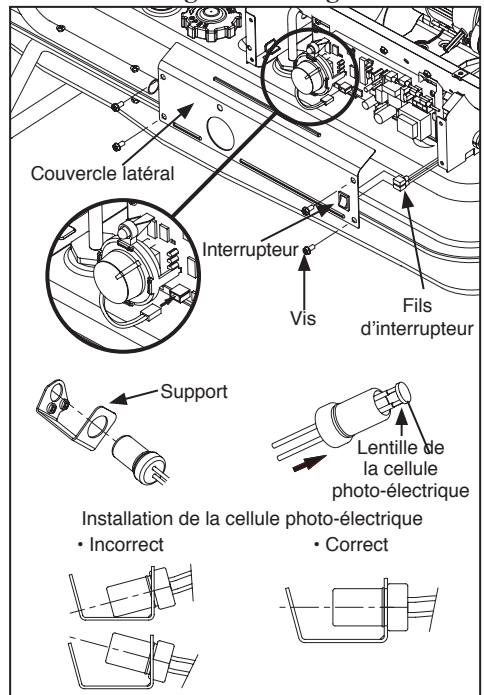


Figure 18. Remplacement de la cellule photo-électrique

NE LAISSEZ JAMAIS L'APPAREIL DE CHAUFFAGE ALLUMÉ SANS SURVEILLANCE!

H.) FILTRE À COMBUSTIBLE

NETTOYEZ OU REMPLACEZ DEUX FOIS PAR SAISON DE CHAUFFAGE OU AU BESOIN.

- Enlevez les vis du couvercle latéral à l'aide d'un tournevis Phillips moyen.
- Débranchez les fils d'interrupteur de l'interrupteur et retirez le couvercle latéral.
- Dégagez la conduite de combustible de la tige du filtre à combustible.
- Tournez le filtre à combustible à 90 ° dans le sens contraire des aiguilles d'une montre et tirez-le pour l'enlever. (Pour les modèles KFA50DGD/80DGD uniquement)
- Tournez le filtre à combustible à 90 ° dans le sens des aiguilles d'une montre et tirez-le pour l'enlever (pour les modèles KFA135/180/220DGD uniquement)
- Lavez le filtre à combustible avec du combustible propre et remettez-le en place dans le réservoir.
- Fixez la conduite de combustible à la tige du filtre à combustible.
- Rebranchez les fils d'interrupteur à l'interrupteur.
- Réinstallez le couvercle latéral.

I.) RÉGLAGE DE LA PRESSION DE LA POMPE

REMARQUE: Si vous devez régler la pression de la pompe, assurez-vous d'abord que le radiateur est à la position ÉLEVÉ (HIGH).

- Réglez le bouton de commande de la chaleur à la position ÉLEVÉ (HIGH). (Voir Utilisation, page 8, modèles KFA135/180/220DGD uniquement).
- Retirez le vis de monomètre de la couvercle de filtre d'extrémité. Installez la monomètre accessoire. (Pour les modèles KFA50DGD/80DGD uniquement)
- Allumez l'appareil de chauffage (voir Utilisation, page 8). Laissez le moteur atteindre sa vitesse maximum.
- Réglez la pression (à l'aide d'un tournevis à tête plate). Tournez la soupape de décharge dans le sens des aiguilles d'une montre pour augmenter la pression. Tournez la soupape de décharge dans le sens contraire des aiguilles d'une montre pour diminuer la pression.
- Éteignez l'appareil de chauffage (voir Utilisation, page 8).

| MODÈLE | Pression de la pompe | |
|-----------|-----------------------------------|---------------------------------|
| | Niveau de débit calorifique Élevé | Niveau de débit calorifique Bas |
| KFA50DGD | 3.8 psi | N/A |
| KFA80DGD | 3.8 psi | N/A |
| KFA135DGD | 5.5 psi | 3.5 psi |
| KFA180DGD | 6.5 psi | 4.5 psi |
| KFA220DGD | 8.5 psi | 6.5 psi |

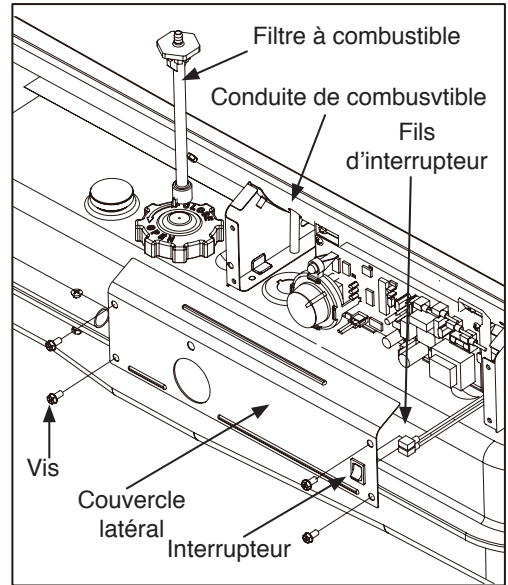


Figure 19. Remplacement du filtre à combustible

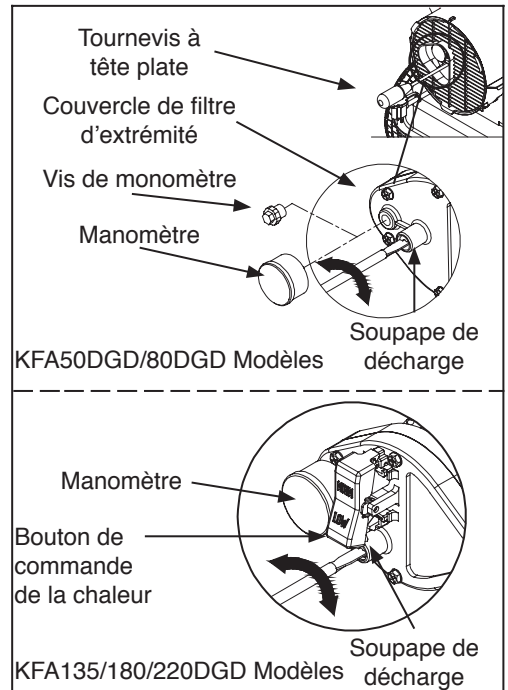


Figure 20. Réglage de la pression de la pompe

REMARQUE : UTILISEZ UNIQUEMENT LES PIÈCES DE RECHANGE D'ÉQUIPEMENT D'ORIGINE. L'utilisation d'autres composants ou de composants de tiers peut annuler la garantie et créer des conditions d'utilisation dangereuses.

NE LAISSEZ JAMAIS L'APPAREIL DE CHAUFFAGE ALLUMÉ SANS SURVEILLANCE!

10. REMPLACEMENT DU FUSIBLE

**AVIS : Cet appareil de chauffage est protégé par un fusible.
Si votre appareil de chauffage ne peut pas s'allumer,
NE LE RAMENEZ PAS AU MAGASIN.**

Veuillez suivre les simples instructions ci-après pour inspecter et changer le fusible.

PROCÉDURE DE REMPLACEMENT DU FUSIBLE

⚠ AVERTISSEMENT : RISQUE DE CHOC ÉLECTRIQUE

Pour éviter les blessures, débranchez le cordon d'alimentation avant de remplacer le fusible.

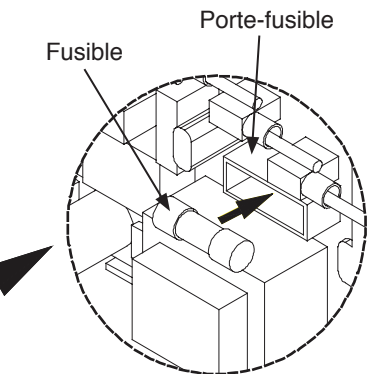
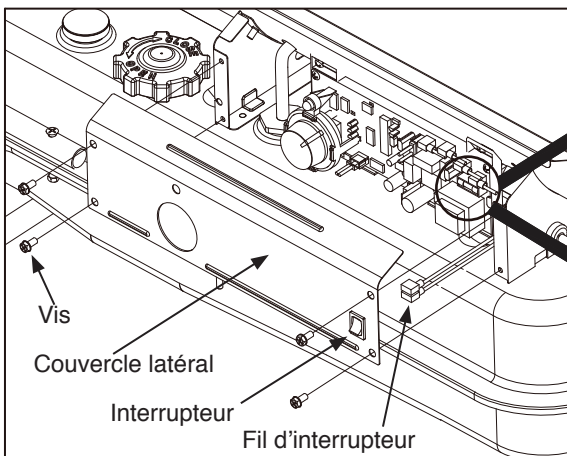
1. Débranchez l'appareil de chauffage.
2. Enlevez les vis du couvercle latéral à l'aide d'un tournevis Phillips moyen.
3. Débranchez les fils d'interrupteur de l'interrupteur.
4. Retirez le fusible du porte-fusible (voir figure 21.)
5. Remplacez le fusible.

⚠ AVERTISSEMENT : RISQUE D'INCENDIE

Pour éviter les risques d'incendie, ne remplacez pas le fusible par un fusible de calibre supérieur ou inférieur.

6. Rebranchez les fils d'interrupteur à l'interrupteur.
7. Remettez le couvercle en place.

**REMARQUE : Calibre de fusible spécifié:
c.a. 125/8 A**



Modèles KFA80/135/180/220DGD

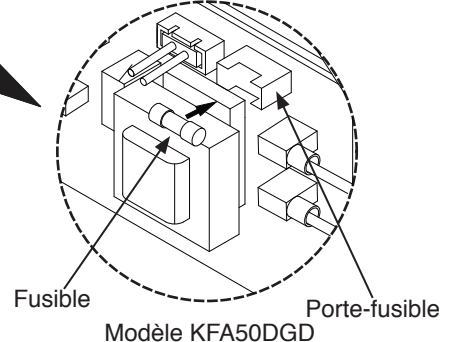


Figure 21. Remplacement du fusible

**NE LAISSEZ JAMAIS L'APPAREIL DE
CHAUFFAGE ALLUMÉ SANS SURVEILLANCE!**

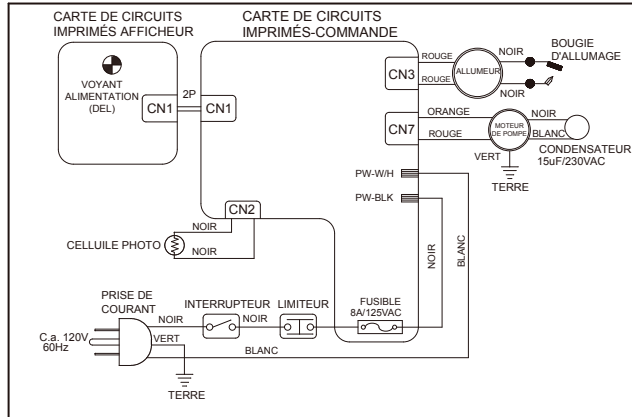
11. GUIDE DE DÉPISTAGE DES PANNES

| PROBLÈME | CAUSE POSSIBLE | SOLUTION |
|---|---|--|
| L'appareil de chauffage s'allume mais, au bout d'un instant, la carte de circuits imprimés PRINCIPALE éteint l'appareil. (Le voyant clignote et l'afficheur de la température de la pièce indique « E1 ».) | <ol style="list-style-type: none"> 1. La pression de la pompe est inadéquate 2. La sortie d'air, l'admission d'air ou le filtre à peluches est sale. 3. Le filtre à combustible est sale. 4. Il y a des saletés dans l'ajutage. 5. La lentille de la cellule photo-électrique est sale. 6. L'assemblage de cellule photo-électrique n'est pas correctement installé (la cellule ne voit pas la flamme). 7. Il y a un branchement électrique défectueux entre la cellule photoélectrique et la carte de circuits imprimés PRINCIPALE 8. La cellule photo-électrique est défectueuse. | <ol style="list-style-type: none"> 1. Voir Réglage de la pression de la pompe, page 13. 2. Voir Filtres de sortie d'air, d'admission d'air et à peluches, page 10. 3. Voir Filtre à combustible, page 13. 4. Voir Ajutage, page 11. 5. Nettoyez la lentille de la cellule photo-électrique; voir page 12. 6. Assurez-vous que le pied de la cellule photo-électrique est bien assis dans le support; voir page 12. 7. Vérifiez les composants électriques; voir le diagramme de câblage page 16. 8. Remplacez la cellule photo-électrique; voir page 12. |
| L'appareil de chauffage ne s'allume pas mais le moteur tourne pendant un instant. (Le voyant clignote et l'afficheur de la température de la pièce indique « E1 ».) | <ol style="list-style-type: none"> 1. Il n'y a pas de combustible dans le réservoir. 2. La pression de la pompe est inadéquate. 3. Il y a de la calamine sur les bougies d'allumage et/ou l'écart entre les électrodes est inadéquat. 4. Le filtre à combustible est sale. 5. Il y a des saletés dans l'ajutage. 6. Il y a de l'eau dans le réservoir de combustible. 7. Il y a un branchement électrique défectueux entre l'allumeur et la carte de circuits imprimés PRINCIPALE. 8. Le fil de l'allumeur n'est pas raccordé à la bougie d'allumage. | <ol style="list-style-type: none"> 1. Remplissez le réservoir de kérosène. 2. Voir Réglage de la pression de la pompe, page 13. 3. Voir Bougie d'allumage, page 12. 4. Voir Filtre à combustible, page 13. 5. Voir Ajutage, page 11. 6. Rincez le réservoir de combustible avec du kérosène propre; voir page 9. 7. Vérifiez les composants électriques; voir le diagramme de câblage page 16. 8. Raccordez le fil de l'allumeur à la bougie d'allumage. Voir Bougie d'allumage, page 12. |
| Le ventilateur ne tourne pas quand l'appareil de chauffage est branché et l'interrupteur est à la position « ON ». (Le voyant est allumé ou clignote.) | <ol style="list-style-type: none"> 1. Le réglage du thermostat est trop bas. 2. Il y a un branchement électrique défectueux entre le moteur et la carte de circuits imprimés PRINCIPALE. | <ol style="list-style-type: none"> 1. Tournez le bouton de réglage du thermostat à la position la plus élevée. 2. Vérifiez les branchements électriques; voir le diagramme de câblage page 16. |
| (Le voyant clignote et l'afficheur de la température de la pièce indique « E2 ».) | <ol style="list-style-type: none"> 1. Le capteur est en panne. | <ol style="list-style-type: none"> 1. Remplacez le capteur. Voir le diagramme de câblage, page 16. |
| (Le voyant clignote et l'afficheur de la température de la pièce indique « E3 ».) | <ol style="list-style-type: none"> 1. L'interrupteur du thermostat est défectueux. | <ol style="list-style-type: none"> 1. Remplacez l'interrupteur. Voir le diagramme de câblage, page 16. |
| L'appareil de chauffage ne s'allume pas. (Le voyant est éteint.) | <ol style="list-style-type: none"> 1. Le limiteur de sécurité de la température a surchauffé. 2. Le courant électrique est coupé. 3. Le fusible a sauté. 4. Il y a un branchement électrique défectueux entre le limiteur de sécurité de la température et la carte de circuits imprimés. | <ol style="list-style-type: none"> 1. Mettez l'interrupteur à la position «OFF » (ARRÊT) et laissez refroidir l'appareil (pendant 20 minutes environ). 2. Vérifiez si le cordon d'alimentation de l'appareil de chauffage et l'allumage sont branchés. Vérifiez l'alimentation électrique. 3. Remplacez le fusible de sécurité dans la carte de circuits imprimés. 4. Vérifiez les branchements électriques. Voir le diagramme de câblage, page 16. |

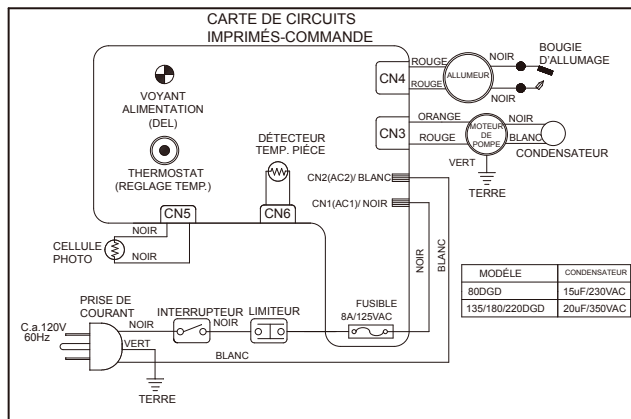
NE LAISSEZ JAMAIS L'APPAREIL DE CHAUFFAGE ALLUMÉ SANS SURVEILLANCE!

12. DIAGRAMME DU CÂBLAGE

A) DIAGRAMME DU CÂBLAGE (Modèle KFA50DGD)

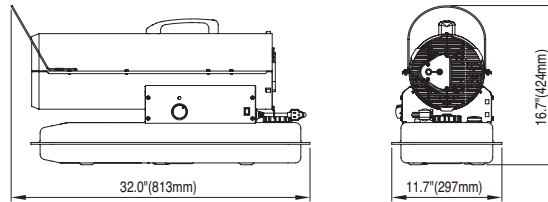


B) DIAGRAMME DE CÂBLAGE (Modèles KFA80/135/180/220DGD)

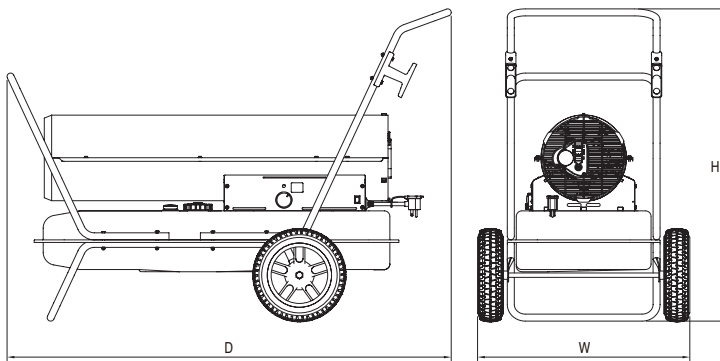


**NE LAISSEZ JAMAIS L'APPAREIL DE
CHAUFFAGE ALLUMÉ SANS SURVEILLANCE!**

13. CARACTÉRISTIQUES



KFA50DGD/80DGD Models



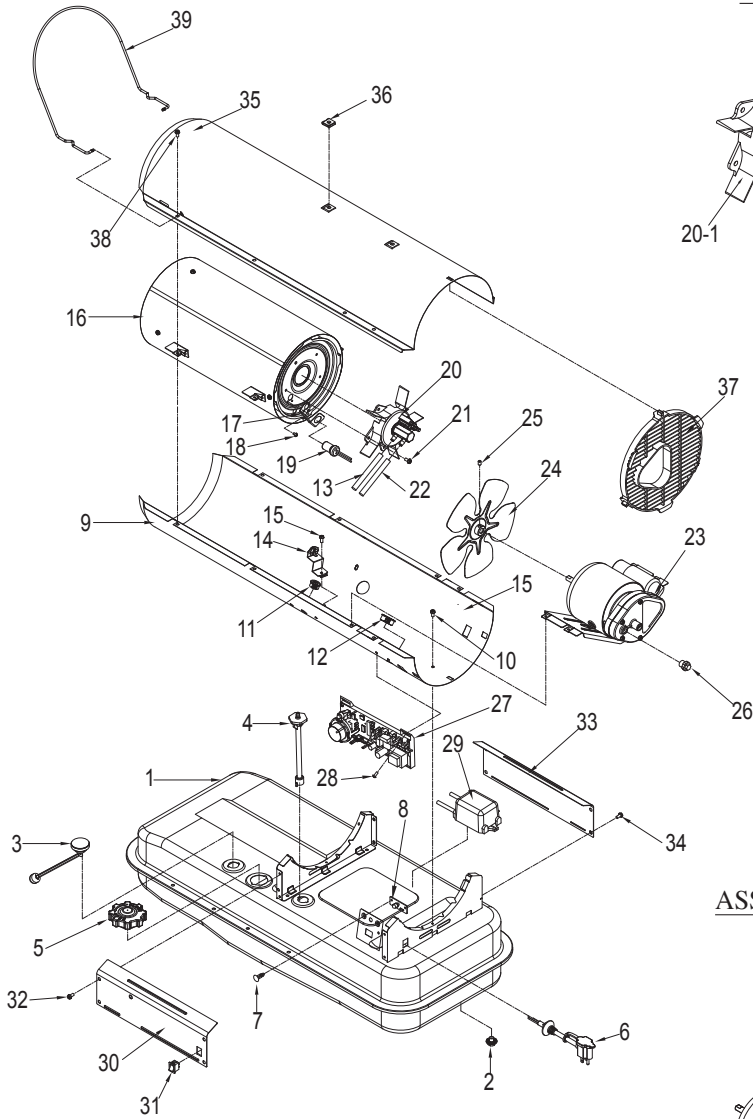
| | 135DGD | 180DGD 220DGD |
|---|------------------|------------------|
| D | 41.9\"(1,063 mm) | 47.4\"(1,205 mm) |
| W | 21.5\"(547 mm) | 23.1\"(587 mm) |
| H | 32.4\"(824 mm) | 33.5\"(850 mm) |

KFA135DGD/180DGD/220DGD Models

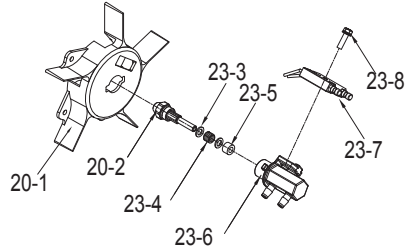
| MODÈLE | | KFA50DGD | KFA80DGD | KFA135DGD | KFA180DGD | KFA220DGD |
|---|-------|---------------------------------|---------------------------------|-----------------------------------|-----------------------------------|-----------------------------------|
| BTU/Hr. | ÉLEVÉ | 50,000 | 80,000 | 135,000 | 180,000 | 220,000 |
| | BAS | N/A | N/A | 95,000 | 140,000 | 180,000 |
| Consommation de combustible - Gal./Hr.(ℓ./Hr) | ÉLEVÉ | 0.38(1.44) | 0.60(2.27) | 1.02(3.86) | 1.36(5.15) | 1.66(6.28) |
| | BAS | N/A | N/A | 0.72(2.73) | 1.06(4.01) | 1.36(5.15) |
| Capacité du réservoir de combustible - Gal.(ℓ) | | 5.0(18.9) | 5.0(18.9) | 10.0(37.9) | 13.0(49.2) | 13.0(49.2) |
| Pression de la pompe PSI - Gal.(kgf/cm ²) | ÉLEVÉ | 3.8(0.27) | 3.8(0.27) | 5.5(0.39) | 6.5(0.46) | 8.5(0.60) |
| | BAS | N/A | N/A | 3.5(0.25) | 4.5(0.32) | 6.5(0.46) |
| Volt/Hz | | 120Vac/60hz | 120Vac/60hz | 120Vac/60hz | 120Vac/60hz | 120Vac/60hz |
| Ampères | | 1.6 | 1.6 | 2.5 | 3.2 | 3.7 |
| Phase | | 1 | 1 | 1 | 1 | 1 |
| Dimensions (P L H), po(mm) | | 32.0×11.7×16.7 (813×297×424) | 32.0×11.7×16.7 (813×297×424) | 41.9×21.5×32.4 (1,063×547×824) | 47.4×23.1×33.5 (1,205×587×850) | 47.4×23.1×33.5 (1,205×587×850) |
| Poids Lbs.(kg) | | 26.9(12.2) | 26.9(12.2) | 52.2(23.7) | 58.0(26.3) | 60.2(27.3) |

**NE LAISSEZ JAMAIS L'APPAREIL DE
CHAUFFAGE ALLUMÉ SANS SURVEILLANCE!**

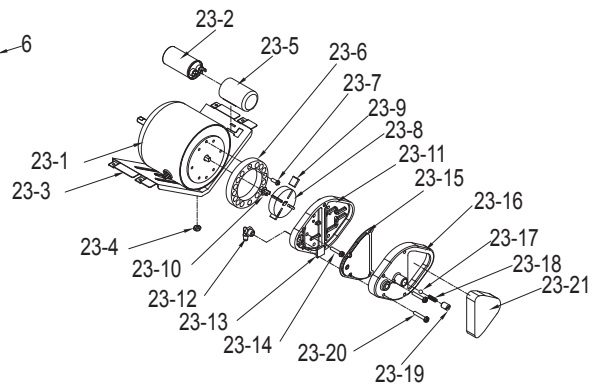
14. VUE ÉCLATÉE DES PIÈCES (modèles KFA50DGD/80DGD uniquement)
REMARQUE : PRÉCISEZ LE NUMÉRO DE MODÈLE ET LE NUMÉRO DE PIÈCE LORSQUE
VOUS COMMANDEZ DES PIÈCES.



ASSEMBLAGE DE LA TÊTE
DU BRÛLEUR



ASSEMBLAGE DU MOTEUR ET
DE LA POMPE



**NE LAISSEZ JAMAIS L'APPAREIL DE
CHAUFFAGE ALLUMÉ SANS SURVEILLANCE!**

15. LISTE DES PIÈCES (modèles KFA50DGD/80DGD uniquement)

| N° SUR LE PLAN | DESCRIPTION | N° DE PIÈCE | | QUANTITÉ |
|-------------------|---|------------------------------|------------------------------|----------|
| | | KFA50DGD | KFA80DGD | |
| 1 | Assemblage du réservoir de combustible | 2151-0046-01 | 2151-0047-01 | 1 |
| 2 | Boulon de vidange | - | - | 1 |
| 3 | Jauge de combustible | 2156-0047-00 | 2156-0049-00 | 1 |
| 4 | Assemblage de filtre à combustible | 2155-0005-00 | 2155-0005-00 | 1 |
| 5 | Bouchon du réservoir de combustible | 2151-0041-00 | 2151-0041-00 | 1 |
| 6 | Cordon d'alimentation | 3980-0274-00 | 3980-0275-00 | 1 |
| 7 | Support en bouton | 3713-0048-00 | - | 2 |
| 8 | Assemblage de l'afficheur et de la carte de circuits imprimés | 215A-0013-00 | - | 1 |
| 9 | Enveloppe inférieure | 3111-0501-04 | 3111-0501-04 | 1 |
| 10 | Vis d'accouplement | 4319-0015-00 | 4319-0015-00 | 4 |
| 11 | Bague - Passe-câble (court) | 3231-0120-00 | 3231-0120-00 | 1 |
| 12 | Bague - Passe-câble (long) | 3231-0121-00 | 3231-0121-00 | 1 |
| 13 | Conduite d'air | 3341-0035-00 | 3341-0035-00 | 1 |
| 14 | Assemblage du limiteur de température | 2153-0022-00 | 2153-0013-00 | 1 |
| 15 | Vis d'accouplement | 4319-0015-00 | 4319-0015-00 | 1 |
| 16 | Assemblage de la chambre | 2152-0292-00 | 2152-0293-00 | 1 |
| 17 | Cellule photo-électrique, support | 3131-0159-00 | 3131-0159-00 | 1 |
| 18 | Vis-BH1 | 4311-0068-00 | 4311-0068-00 | 2 |
| 19 | Assemblage de cellule photo-électrique | *SP-KFA1007 | *SP-KFA1007 | 1 |
| 20 | Assemblage de tête de brûleur | 2152-0120-00 | 2152-0121-00 | 1 |
| 20-1 | Tête de brûleur | 3531-0026-00 | 3531-0026-00 | 1 |
| 20-2 | Ajutage | *SP-KFA1026 | *SP-KFA1027 | 1 |
| 20-3 | Rondelle-ajutage étanche | 4349-0016-00 | 4349-0016-00 | 2 |
| 20-4 | Ressort-ajutage étanche | 3431-0010-00 | 3431-0010-00 | 1 |
| 20-5 | Joint torique | 3311-0002-00 | 3311-0002-00 | 1 |
| 20-6 | l'adaptateur de gicleur | 3231-0178-00 | 3231-0178-00 | 1 |
| 20-7 | Bougie d'allumage | *SP-KFA1008 | *SP-KFA1008 | 1 |
| 20-8 | Boulon-bride | 4329-0079-00 | 4329-0079-00 | 1 |
| 21 | Vis d'accouplement | 4319-0015-00 | 4319-0015-00 | 3 |
| 22 | Conduite de combustible | 3341-0034-00 | 3341-0034-00 | 1 |
| 23 | Assemblage du moteur et de la pompe | 2154-0135-00 | 2154-0135-00 | 1 |
| 23-1 | Moteur | 3970-0210-00 | 3970-0210-00 | 1 |
| 23-2 | Condensateur | 3820-0257-00 | 3820-0257-00 | 1 |
| 23-3 | Support de moteur | 3111-0440-00 | 3111-0440-00 | 1 |
| 23-4 | Écrou hexagonal | 4331-0022-00 | 4331-0022-00 | 2 |
| 23-5 | Porte-condensateur | - | - | 1 |
| 23-6 | Corps de pompe | 3541-0022-00 | 3541-0022-00 | 1 |
| 23-7 | Boulon BH spécial | 4321-0198-00 | 4321-0198-00 | 2 |
| 23-8 | Rotor | Voir SP-KFA1000 ¹ | Voir SP-KFA1000 ¹ | 1 |
| 23-9 | Plaes | Voir SP-KFA1000 ¹ | Voir SP-KFA1000 ¹ | 4 |
| 23-10 | Insert | Voir SP-KFA1000 ¹ | Voir SP-KFA1000 ¹ | 1 |
| 23-11 | Couvercle de pompe d'extrémité | 3531-0027-00 | 3531-0027-00 | 1 |
| 23-12 | Coude | 3231-0181-00 | 3231-0181-00 | 1 |

**NE LAISSEZ JAMAIS L'APPAREIL DE
CHAUFFAGE ALLUMÉ SANS SURVEILLANCE!**

15. LISTE DES PIÈCES (modèles KFA50DGD/80DGD uniquement)

| N° SUR LE PLAN | DESCRIPTION | N° DE PIÈCE | | QUANTITÉ |
|-------------------|--|------------------------------|------------------------------|----------|
| | | KFA50DGD | KFA80DGD | |
| 25-13 | Filtre à peluches | Voir SP-KFA1005 ² | Voir SP-KFA1005 ² | 1 |
| 25-14 | Boulon à bride | 4329-0016-00 | 4329-0016-00 | 6 |
| 25-15 | Filtre de sortie d'air | Voir SP-KFA1005 ² | Voir SP-KFA1005 ² | 1 |
| 25-16 | Couvercle de filtre d'extrémité | 3221-0029-00 | 3221-0029-00 | 1 |
| 25-17 | Bille | Voir SP-KFA1006 ³ | Voir SP-KFA1006 ³ | 1 |
| 25-18 | Ressort | Voir SP-KFA1006 ³ | Voir SP-KFA1006 ³ | 1 |
| 25-19 | Vis de réglage | Voir SP-KFA1006 ³ | Voir SP-KFA1006 ³ | 1 |
| 25-20 | Boulon à bride | 4329-0016-00 | 4329-0016-00 | 4 |
| 25-21 | Filtre d'admission d'air | Voir SP-KFA1005 ² | Voir SP-KFA1005 ² | 1 |
| 26 | Assemblage du ventilateur | 2154-0009-00 | 2154-0009-00 | 1 |
| 27 | Boulon sans tête à six pans creux | 4323-0004-00 | 4323-0004-00 | 1 |
| 28 | Vis de Manomètre | 3231-0054-00 | 3231-0054-00 | 1 |
| 29 | Assemblage de la carte principale de circuits imprimés | 215A-0048-00 | 215A-0073-00 | 1 |
| 30 | Vis-TH2S | 4312-0046-00 | 4312-0046-00 | 2 |
| 31 | Allumeur | 39E0-0071-00 | 39E0-0071-00 | 1 |
| 32 | Couvercle latéral droit | 3121-0496-04 | 3121-0497-25 | 1 |
| 33 | Interrupteur | 39A0-0191-00 | 39A0-0191-00 | 1 |
| 34 | Vis d'accouplement | 4319-0015-00 | 4319-0015-00 | 4 |
| 35 | Couvercle latéral gauche | 3121-0190-00 | 3121-0350-00 | 1 |
| 36 | Vis d'accouplement | 4319-0015-00 | 4319-0015-00 | 4 |
| 37 | Enveloppe supérieure | 3111-0502-04 | 3111-0502-04 | 1 |
| 38 | Écrou en forme d'agrafe Nut | 3131-0182-00 | 3131-0182-00 | 2 |
| 39 | Grille de protection | 3221-0074-00 | 3221-0074-00 | 1 |
| 40 | Vis d'accouplement | 4319-0015-00 | 4319-0015-00 | 8 |
| 41 | Protection frontale | 3561-0066-00 | 3561-0066-00 | 1 |

| N° SUR LE PLAN | DESCRIPTION | N° DE PIÈCE | | QUANTITÉ |
|-------------------|--------------------------------|-------------|------------|----------|
| | | KFA50DGD | KFA80DGD | |
| 1 | Rotor kit | SP-KFA1000 | SP-KFA1000 | 1 |
| 2 | Kit de filtre | SP-KFA1005 | SP-KFA1005 | 1 |
| 3 | Enchufe/Bomba kit de ajustador | SP-KFA1006 | SP-KFA1006 | 1 |

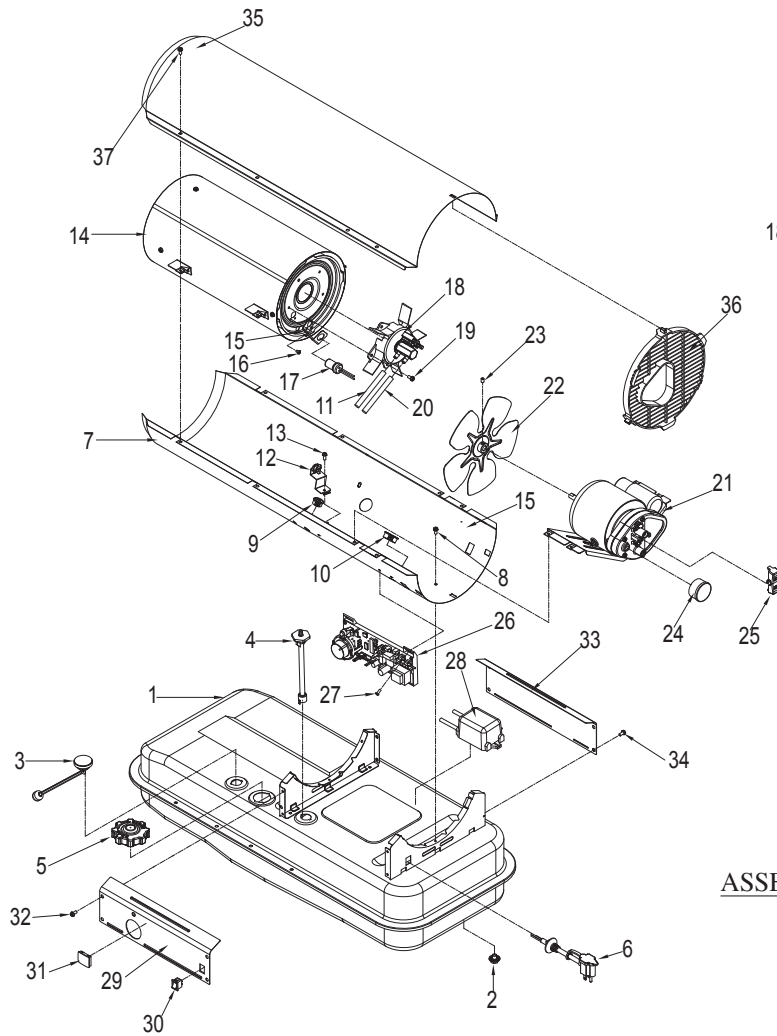
PARA ASISTENCIA TÉCNICA CONSULTE CON SU DISTRIBUIDOR
LOCAL O CONTÁCTENOS AL:

Teléfono: 1-877-447-4768

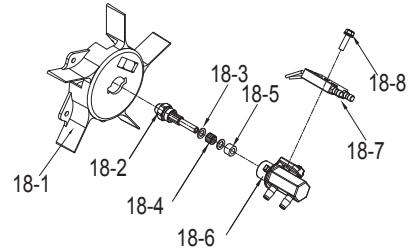
**NE LAISSEZ JAMAIS L'APPAREIL DE
CHAUFFAGE ALLUMÉ SANS SURVEILLANCE!**

14. VUE ÉCLATÉE DES PIÈCES (modèles KFA135/180DGD uniquement)

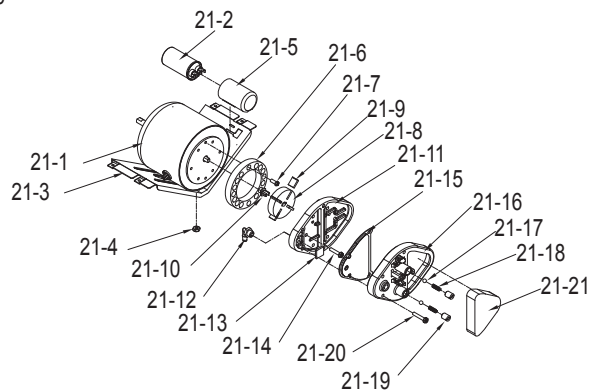
REMARQUE : PRÉCISEZ LE NUMÉRO DE MODÈLE ET LE NUMÉRO DE PIÈCE LORSQUE VOUS COMMANDEZ DES PIÈCES.



ASSEMBLAGE DE LA TÊTE
DU BRÛLEUR



ASSEMBLAGE DU MOTEUR ET
DE LA POMPE



**NE LAISSEZ JAMAIS L'APPAREIL DE
CHAUFFAGE ALLUMÉ SANS SURVEILLANCE!**

15. LISTE DES PIÈCES (modèles KFA135/180DGD uniquement)

| N° SUR LE PLAN | DESCRIPTION | N° DE PIÈCE | | QUANTITÉ |
|-------------------|--|------------------------------|------------------------------|----------|
| | | KFA135DGD | KFA180DGD | |
| 1 | Assemblage du réservoir de combustible | 2151-0048-01 | 2151-0049-01 | 1 |
| 2 | Boulon de vidange | 4329-0072-00 | 4329-0072-00 | 1 |
| 3 | Jauge de combustible | 2156-0051-00 | 2156-0051-00 | 1 |
| 4 | Assemblage de filtre à combustible | 2155-0001-00 | 2155-0001-00 | 1 |
| 5 | Bouchon du réservoir de combustible | 2151-0041-00 | 2151-0041-00 | 1 |
| 6 | Cordon d'alimentation | 3980-0275-00 | 3980-0275-00 | 1 |
| 7 | Enveloppe inférieure | 3111-0506-04 | 3111-0508-04 | 1 |
| 8 | Vis d'accouplement | 4319-0015-00 | 4319-0015-00 | 4 |
| 9 | Bague - Passe-câble (court) | 3231-0120-00 | 3231-0120-00 | 1 |
| 10 | Bague - Passe-câble (long) | 3231-0121-00 | 3231-0121-00 | 1 |
| 11 | Conduite d'air | 3341-0036-00 | 3341-0038-00 | 1 |
| 12 | Assemblage du limiteur de température | 2153-0013-00 | 2153-0023-00 | 1 |
| 13 | Vis d'accouplement | 4319-0015-00 | 4319-0015-00 | 1 |
| 14 | Assemblage de la chambre | 2152-0294-00 | 2152-0295-00 | 1 |
| 15 | Cellule photo-électrique, support | 3131-0159-00 | 3131-0159-00 | 1 |
| 16 | Vis-BH1 | 4311-0068-00 | 4311-0068-00 | 2 |
| 17 | Assemblage de cellule photo-électrique | *SP-KFA1007 | *SP-KFA1007 | 1 |
| 18 | Assemblage de tête de brûleur | 2152-0122-00 | 2152-0123-00 | 1 |
| 18-1 | Tête de brûleur | 3531-0025-00 | 3531-0024-00 | 1 |
| 18--2 | Ajutage | *SP-KFA1003 | *SP-KFA1004 | 1 |
| 18--3 | Rondelle-ajutage étanche | 4349-0016-00 | 4349-0016-00 | 2 |
| 18--4 | Ressort-ajutage étanche | 3431-0010-00 | 3431-0010-00 | 1 |
| 18--5 | Joint torique | 3311-0002-00 | 3311-0002-00 | 1 |
| 18--6 | l'adaptateur de gicleur | 3231-0179-00 | 3231-0179-00 | 1 |
| 18--7 | Bougie d'allumage | *SP-KFA1009 | *SP-KFA1009 | 1 |
| 18--8 | Boulon-bride | 4329-0079-00 | 4329-0079-00 | 1 |
| 19 | Vis d'accouplement | 4319-0015-00 | 4319-0015-00 | 3 |
| 20 | Conduite de combustible | 3341-0032-00 | 3341-0032-00 | 1 |
| 21 | Assemblage du moteur et de la pompe | 2154-0141-00 | 2154-0142-00 | 1 |
| 21-1 | Moteur | 3970-0211-00 | 3970-0212-00 | 1 |
| 21-2 | Condensateur | 3820-0258-00 | 3820-0258-00 | 1 |
| 21-3 | Support de moteur | 3111-0439-00 | 3111-0439-00 | 1 |
| 21-4 | Écrou hexagonal | 4331-0022-00 | 4331-0022-00 | 2 |
| 21-5 | Porte-condensateur | 3231-0182-00 | 3231-0182-00 | 1 |
| 21-6 | Corps de pompe | 3541-0022-00 | 3541-0022-00 | 1 |
| 21-7 | Boulon BH spécial | 4321-0198-00 | 4321-0198-00 | 2 |
| 21-8 | Rotor | Voir SP-KFA1000 ¹ | Voir SP-KFA1000 ¹ | 1 |
| 21-9 | Pales | Voir SP-KFA1000 ¹ | Voir SP-KFA1000 ¹ | 4 |
| 21-10 | Insert | Voir SP-KFA1000 ¹ | Voir SP-KFA1000 ¹ | 1 |
| 21-11 | Couvercle de pompe d'extrémité | 3531-0027-00 | 3531-0027-00 | 1 |
| 21-12 | Coude | 3231-0181-00 | 3231-0181-00 | 1 |
| 21-13 | Filtre à peluches | Voir SP-KFA1005 ² | Voir SP-KFA1005 ² | 1 |
| 21-14 | Boulon à bride | 4329-0016-00 | 4329-0016-00 | 6 |

**NE LAISSEZ JAMAIS L'APPAREIL DE
CHAUFFAGE ALLUMÉ SANS SURVEILLANCE!**

15. LISTE DES PIÈCES (modèles KFA135/180DGD uniquement)

| N° SUR LE PLAN | DESCRIPTION | N° DE PIÈCE | | QUANTITÉ |
|-------------------|--|------------------------------|------------------------------|----------|
| | | KFA135DGD | KFA180DGD | |
| 21-15 | Filtre de sortie d'air | Voir SP-KFA1005 ² | Voir SP-KFA1005 ² | 1 |
| 21-16 | Couvercle de filtre d'extrémité | 3221-0076-00 | 3221-0076-00 | 1 |
| 21-17 | Bille | Voir SP-KFA1010 ³ | Voir SP-KFA1010 ³ | 2 |
| 21-18 | Ressort | Voir SP-KFA1010 ³ | Voir SP-KFA1010 ³ | 2 |
| 21-19 | Vis de réglage | Voir SP-KFA1010 ³ | Voir SP-KFA1010 ³ | 2 |
| 21-20 | Boulon à bride | 4329-0016-00 | 4329-0016-00 | 4 |
| 21-21 | Filtre d'admission d'air | Voir SP-KFA1005 ² | Voir SP-KFA1005 ² | 1 |
| 22 | Assemblage du ventilateur | 2154-0004-00 | 2154-0007-00 | 1 |
| 23 | Perno sin cabeza Llavepara tuercas hexagonal | 4323-0004-00 | 4323-0004-00 | 1 |
| 24 | Manomètre | 3740-0049-00 | 3740-0049-00 | 1 |
| 25 | Bouton de commande de la chaleur | 2154-0070-00 | 2154-0070-00 | 1 |
| 26 | Assemblage de la carte principale de circuits imprimés | 215A-0074-00 | 215A-0074-00 | 1 |
| 27 | Vis-TH2S | 4312-0046-00 | 4312-0046-00 | 2 |
| 28 | Allumeur | 39E0-0071-00 | 39E0-0071-00 | 1 |
| 29 | Couvercle latéral droit | 3121-0498-17 | 3121-0499-34 | 1 |
| 30 | Interrupteur | 39A0-0191-00 | 39A0-0191-00 | 1 |
| 31 | Afficheur, fenêtre | 3231-0113-00 | 3231-0113-00 | 1 |
| 32 | Vis d'accouplement | 4319-0015-00 | 4319-0015-00 | 4 |
| 33 | Couvercle latéral gauche | 3121-0352-00 | 3121-0354-00 | 1 |
| 34 | Vis d'accouplement | 4319-0015-00 | 4319-0015-00 | 4 |
| 35 | Enveloppe supérieure | 3111-0507-04 | 3111-0509-04 | 1 |
| 36 | Grille de protection | 3221-0075-00 | 3221-0075-00 | 1 |
| 37 | Vis d'accouplement | 4319-0015-00 | 4319-0015-00 | 8 |

| N° SUR LE PLAN | DESCRIPTION | N° DE PIÈCE | | QUANTITÉ |
|-------------------|---------------------------|-------------|------------|----------|
| | | KFA135DGD | KFA180DGD | |
| 1 | Rotor kit | SP-KFA1000 | SP-KFA1000 | 1 |
| 2 | Plug/Pompe kit de réglage | SP-KFA1005 | SP-KFA1005 | 1 |
| 3 | Plug/Pompe kit de réglage | SP-KFA1010 | SP-KFA1010 | 2 |

**POUR OBTENIR UNE ASSISTANCE TECHNIQUE, ADRESSEZ-VOUS
À VOTRE DÉTAILLANT OU CONTACTEZ NOUS:**

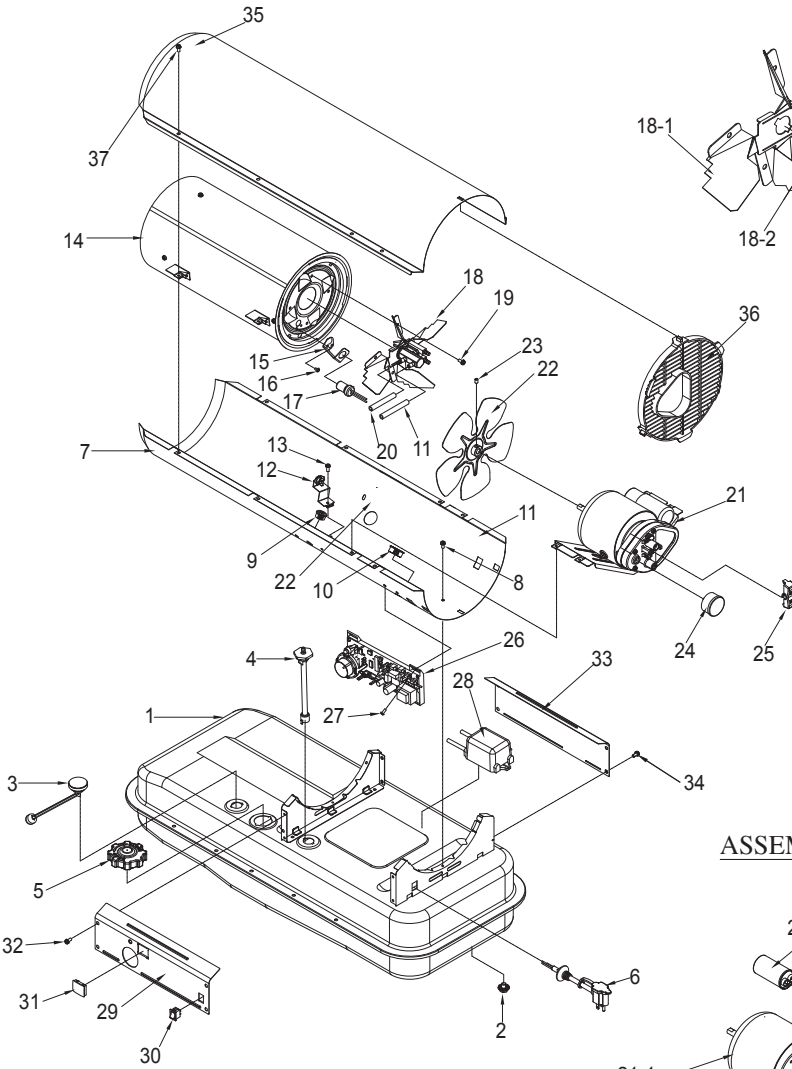
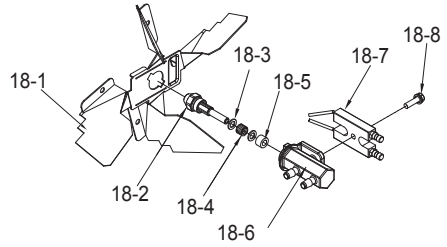
Teléfono: 1-877-447-4768

NE LAISSEZ JAMAIS L'APPAREIL DE CHAUFFAGE ALLUMÉ SANS SURVEILLANCE!

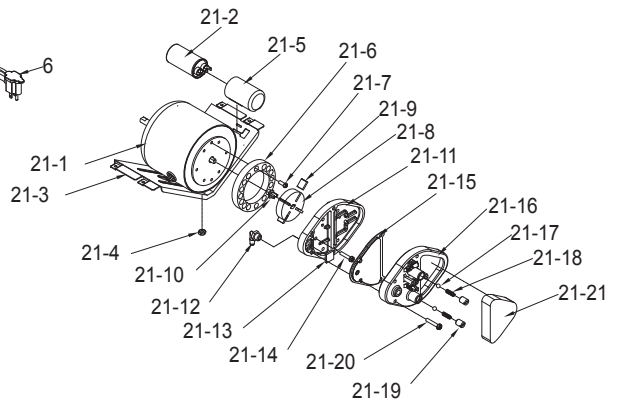
14. VUE ÉCLATÉE DES PIÈCES (modèle KFA220DGD uniquement)

REMARQUE : PRÉCISEZ LE NUMÉRO DE MODÈLE ET LE NUMÉRO DE PIÈCE LORSQUE VOUS COMMANDEZ DES PIÈCES.

ASSEMBLAGE DE LA TÊTE
DU BRÛLEUR



ASSEMBLAGE DU MOTEUR ET
DE LA POMPE



**NE LAISSEZ JAMAIS L'APPAREIL DE
CHAUFFAGE ALLUMÉ SANS SURVEILLANCE!**

15. LISTE DES PIÈCES (modèle KFA220DGD uniquement)

| N° SUR LE PLAN | DESCRIPTION | N° DE PIÈCE | QUANTITÉ |
|-------------------|--|------------------------------|----------|
| | | KFA220DGD | |
| 1 | Assemblage du réservoir de combustible | 2151-0049-01 | 1 |
| 2 | Boulon de vidange | 4329-0072-00 | 1 |
| 3 | Jauge de combustible | 2156-0052-00 | 1 |
| 4 | Assemblage de filtre à combustible | 2155-0001-00 | 1 |
| 5 | Bouchon du réservoir de combustible | 2151-0041-00 | 1 |
| 6 | Cordon d'alimentation | 3980-0275-00 | 1 |
| 7 | Enveloppe inférieure | 3111-0504-04 | 1 |
| 8 | Vis d'accouplement | 4319-0015-00 | 4 |
| 9 | Bague - Passe-câble (court) | 3231-0120-00 | 1 |
| 10 | Bague - Passe-câble (long) | 3231-0121-00 | 1 |
| 11 | Conduite d'air | 3341-0036-00 | 1 |
| 12 | Assemblage du limiteur de température | 2153-0005-00 | 1 |
| 13 | Vis d'accouplement | 4319-0015-00 | 1 |
| 14 | Assemblage de la chambre | 2152-0302-00 | 1 |
| 15 | Cellule photo-électrique, support | 3131-0159-00 | 1 |
| 16 | Vis-BH1 | 4311-0068-00 | 2 |
| 17 | Assemblage de cellule photo-électrique | *SP-KFA1007 | 1 |
| 18 | Assemblage de tête de brûleur | 2152-0124-00 | 1 |
| 18-1 | Support de brûleur | 3121-0477-00 | 1 |
| 18-2 | Ajutage | *SP-KFA1011 | 1 |
| 18-3 | Rondelle-ajutage étanche | 4349-0016-00 | 1 |
| 18-4 | Ressort-ajutage étanche | 3431-0010-00 | 1 |
| 18-5 | Joint torique | 3311-0002-00 | 1 |
| 18-6 | Ajutage-adaptateur | 3231-0180-00 | 1 |
| 18-7 | Bougie d'allumage | *SP-KFA1021 | 1 |
| 18-8 | Boulon-bride | 4329-0079-00 | 1 |
| 19 | Vis d'accouplement | 4319-0015-00 | 4 |
| 20 | Conduite de gaz | 3341-0039-00 | 1 |
| 21 | Assemblage du moteur et de la pompe | 2154-0137-00 | 1 |
| 21-1 | Moteur | 3970-0213-00 | 1 |
| 21-2 | Condensateur | 3820-0258-00 | 1 |
| 21-3 | Support de moteur | 3111-0439-00 | 1 |
| 21-4 | Écrou hexagonal | 4331-0022-00 | 2 |
| 21-5 | Porte-condensateur | 3231-0182-00 | 1 |
| 21-6 | Corps de pompe | 3541-0050-00 | 1 |
| 21-7 | Boulon BH spécial | 4321-0198-00 | 2 |
| 21-8 | Rotor | Voir SP-KFA1022 ¹ | 1 |
| 21-9 | Pales | Voir SP-KFA1022 ¹ | 4 |
| 21-10 | Insert | Voir SP-KFA1022 ¹ | 1 |
| 21-11 | Couvercle de pompe d'extrémité | 3531-0027-00 | 1 |
| 21-12 | Coude | 3231-0181-00 | 1 |
| 21-13 | Filtre à peluches | Voir SP-KFA1005 ² | 1 |
| 21-14 | Boulon à bride | 4329-0016-00 | 6 |

**NE LAISSEZ JAMAIS L'APPAREIL DE
CHAUFFAGE ALLUMÉ SANS SURVEILLANCE!**

15. LISTE DES PIÈCES (modèle KFA220DGD uniquement)

| N° SUR LE PLAN | DESCRIPTION | N° DE PIÈCE | QUANTITÉ |
|-------------------|--|------------------------------|----------|
| | | KFA220DGD | |
| 21-15 | Filtre de sortie d'air | Voir SP-KFA1005 ² | 1 |
| 21-16 | Couvercle de filtre d'extrémité | 3221-0076-00 | 1 |
| 21-17 | Bille | Voir SP-KFA1010 ³ | 2 |
| 21-18 | Ressort | Voir SP-KFA1010 ³ | 2 |
| 21-19 | Vis de réglage | Voir SP-KFA1010 ³ | 2 |
| 21-20 | Boulon à bride | 4329-0016-00 | 4 |
| 21-21 | Filtre d'admission d'air | Voir SP-KFA1005 ² | 1 |
| 22 | Assemblage du ventilateur | 2154-0007-00 | 1 |
| 23 | Boulon sans tête à six pans creux | 4323-0004-00 | 1 |
| 24 | Manomètre | 3740-0049-00 | 1 |
| 25 | Régulateur du débit calorifique | 2154-0070-00 | 1 |
| 26 | Assemblage de la carte principale de circuits imprimés | 215A-0074-00 | 1 |
| 27 | Vis-TH2S | 4312-0046-00 | 2 |
| 28 | Allumeur | 39E0-0071-00 | 1 |
| 29 | Couvercle latéral droit | 3121-0499-35 | 1 |
| 30 | Interrupteur | 39A0-0191-00 | 1 |
| 31 | Afficheur, fenêtre | 3231-0113-00 | 1 |
| 32 | Vis d'accouplement | 4319-0015-00 | 4 |
| 33 | Couvercle latéral gauche | 3121-0354-00 | 1 |
| 34 | Vis d'accouplement | 4319-0015-.00 | 4 |
| 35 | Enveloppe supérieure | 3111-0505-04 | 1 |
| 36 | Grille de protection | 3221-0075-00 | 1 |
| 37 | Vis d'accouplement | 4319-0015-00 | 8 |

| N° SUR LE PLAN | DESCRIPTION | N° DE PIÈCE | QUANTITÉ |
|-------------------|---------------------------|------------------|----------|
| | | KFA220DGD | |
| 1 | Rotor kit | SP-KFA1022 | 1 |
| 2 | Trousse de filtre | SP-KFA1005 | 1 |
| 3 | Plug/Pompe kit de réglage | SP-KFA1010 | 2 |

**POUR OBTENIR UNE ASSISTANCE TECHNIQUE, ADRESSEZ-VOUS
À VOTRE DÉTAILLANT OU CONTACTEZ NOUS:**

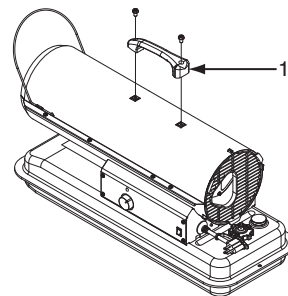
Téléfono: 1-877-447-4768

**NE LAISSEZ JAMAIS L'APPAREIL DE
CHAUFFAGE ALLUMÉ SANS SURVEILLANCE!**

15. LISTE DES PIÈCES (ROUES ET POIGNÉE)

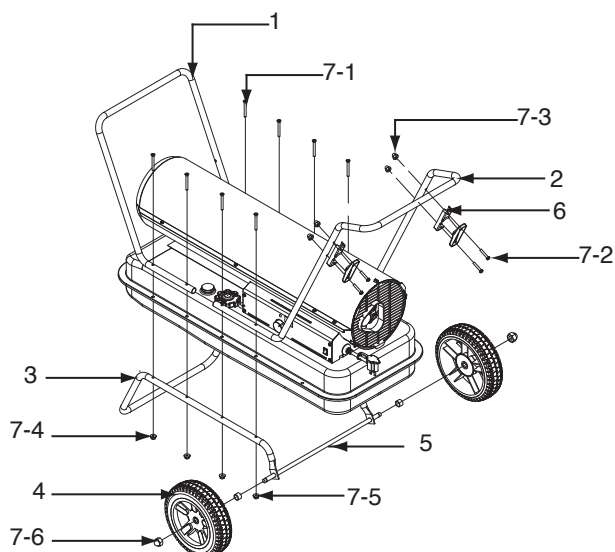
1) MODÈLES KFA50DGD/80DGD

| N° SUR LE PLAN | DESCRIPTION | N° DE PIÈCE | | QUANTITÉ |
|----------------|-------------|--------------|--------------|----------|
| | | KFA50DGD | KFA80DGD | |
| 1 | Poignée | 3231-0073-00 | 3231-0073-00 | 1 |



2) MODÈLES KFA135/180/220DGD

| N° SUR LE PLAN | DESCRIPTION | N° DE PIÈCE | | QUANTITÉ |
|----------------|------------------------------------|------------------------------------|------------------------------------|----------|
| | | KFA135DGD | KFA180/220DGD | |
| 1 | Guidon avant | 3551-0023-00 | 3551-0022-00 | 1 |
| 2 | Guidon arrière | 3551-0096-00 | 3551-0097-00 | 1 |
| 3 | Cadre-support de roue | 3551-0082-00 | 3551-0084-00 | 1 |
| 4 | Roue | 3720-0017-00 | 3720-0017-00 | 2 |
| 5 | Axe fileté | 3551-0088-00 | 3551-0089-00 | 1 |
| 6 | Enrouleur du cordon d'alimentation | 3221-0042-00 | 3221-0042-00 | 2 |
| 7 | Jeu de pièces de quincaillerie | HW-KFA1016 | HW-KFA1016 | 1 |
| 7-1 | Vis | INCLUS DANS LA TROUSSE DE MATÉRIEL | INCLUS DANS LA TROUSSE DE MATÉRIEL | 8 |
| 7-2 | Vis d'accouplement | INCLUS DANS LA TROUSSE DE MATÉRIEL | INCLUS DANS LA TROUSSE DE MATÉRIEL | 4 |
| 7-3 | Écrou borgne coutes | INCLUS DANS LA TROUSSE DE MATÉRIEL | INCLUS DANS LA TROUSSE DE MATÉRIEL | 4 |
| 7-4 | Écrou | INCLUS DANS LA TROUSSE DE MATÉRIEL | INCLUS DANS LA TROUSSE DE MATÉRIEL | 8 |
| 7-5 | Bague | INCLUS DANS LA TROUSSE DE MATÉRIEL | INCLUS DANS LA TROUSSE DE MATÉRIEL | 2 |
| 7-6 | Écrou borgne longues | INCLUS DANS LA TROUSSE DE MATÉRIEL | INCLUS DANS LA TROUSSE DE MATÉRIEL | 2 |



Garantie

GARANTIE RESTREINTE:

Cette garantie est offerte au premier acheteur du radiateur à air pulsé/ réchaud rayonnant/ radiateur à convection.

Cette garantie couvre les défauts de fabrication et de matériel pendant une année (1) à compter de la date de vente au détail. En tel cas, GHP Group Inc. choisira soit de fournir des pièces de remplacement, d'échanger ou de réparer l'appareil, et ce, à condition que l'appareil soit retourné chez le détaillant ou à un centre de service GHP Group Inc. dans le délai prescrit, soit une année (1) à compter de la date de vente au détail. (L'acheteur doit assumer les frais d'expédition, main-d'oeuvre, etc.)

RESPONSABILITÉS DU PROPRIÉTAIRE:

Il faut suivre les instructions écrites fournies avec l'appareil de chauffage lors de son utilisation. La garantie ne protège pas le propriétaire qui n'assume pas l'entretien de l'appareil de chauffage conformément aux instructions écrites fournies avec l'appareil de chauffage. Un reçu, un chèque annulé ou un registre de paiement sont nécessaires afin de vérifier la date d'achat et la validité de la garantie. Il est recommandé garder l'emballage d'origine dans l'éventualité qu'il soit nécessaire de retourner l'appareil garanti.

CE QUI N'EST PAS COUVERT:

1. Les dommages causés par l'utilisation d'un carburant inapproprié.
2. Les dommages causés par une utilisation inappropriée ou contraire aux instructions du manuel de l'utilisateur ou des instructions de sécurité.
3. Les dommages causés par un entretien inadéquat.
4. Les fusibles
5. L'utilisation de pièces ou d'accessoires qui ne sont pas normalisés.
6. Les dommages survenus lors du transport. Le propriétaire doit assumer les frais de transport des pièces garanties et les frais de transport résultant de l'expédition de l'appareil à la manufacture, ou de la manufacture au propriétaire.

Cette garantie ne protège pas contre les pertes indirectes qui pourraient résulter de l'utilisation, l'utilisation inappropriée ou l'entretien de routine inappropriée de cet appareil de chauffage. Il pourrait y avoir des frais de nettoyage et de remplacement de pièces si la défectuosité de l'appareil résulte d'un entretien inadéquat. Cette garantie couvre seulement les défauts de fabrication et les défauts de matériel.

LA GARANTIE SERA NULLES SI L'ENTRETIEN DE ROUTINE (Y COMPRIS LE NETTOYAGE) N'EST PAS EFFECTUÉ.

CETTE GARANTIE RESTREINTE EST DONNÉE AU PROPRIÉTAIRE À LA PLACE DE TOUTES AUTRES GARANTIES EXPRES OU TACITE, Y COMPRIS MAIS NON DE FAÇON LIMITATIVE LES GARANTIES DE CONVENANCE DES MARCHANDS POUR UN PRÉCIS. LA PROTECTION RELATIVE À CETTE GARANTIE EST EXCLUSIVE ET EST OFFERTE À LA PLACE DE TOUTE AUTRE PROTECTION. GHP GROUP, INC. NE POURRA EN AUCUN CAS ÊTRE TENU RESPONSABLE DE DOMMAGES ACCESSOIRES OU DOMMAGES CONSÉCUTIFS.

La restriction mentionnée ci-dessus ne vous concerne peut-être pas puisque certaines provinces n'imposent pas de restrictions quant à la durée d'une garantie implicite. La restriction ou l'exclusion mentionnée ci-dessus ne vous concerne peut-être pas puisque certaines provinces ne permettent pas la restriction ou l'exclusion de dommages accessoires ou dommages consécutifs.

FAIRE UNE RÉCLAMATION:

1. Contactez le détaillant afin de l'informer du problème.
2. Contactez le service des garanties si le détaillant ne peut pas résoudre la problématique. Il faudra expliquer le problème et fournir le numéro de modèle du radiateur et la date d'achat (preuve d'achat).
3. Un représentant vous contactera. N'EXPÉDIEZ PAS L'APPAREIL À GHP GROUP, INC., à moins que le représentant vous le demande. Cette garantie vous accorde des droits. Vous pourriez également avoir d'autres droits qui varient selon la province.

VUEILLZ, S'IL VOUS PLAÎT, D'ÊTRE REMPLIR LA CARTE POUR ENREGISTRER LA GARANTIE DE VOTRE RADIATEUR ET POSTEZ-LA DANS LES 14 JOURS SUIVANTS LA DATE D'ACHAT OU FAITES-LE EN LIGNE À: WWW.GHPGROUPINC.COM

NOM: _____ TÉLÉ: () _____ COURRIEL: _____
ADRESSE: _____ VILLE: _____ PROVINCE: _____ POSTAL: _____
MODÈLE: _____ SÉRIE NO.: _____ DATE D'ACHAT: _____
NOM DU DÉTAILLANT: _____ TYPE DE MAGASIN: _____
LIEU DE L'ACHAT (VILLE & PROVINCE): _____ PRIX PAYÉ: _____

**Il suffit d'une minute pour répondre aux questions suivantes, nous vous en remercions:
Les réponses seront gardées confidentielles et utilisées seulement pour une étude de recherche.**

Qui a décidé d'acheter? Homme Femme 18-24 25-39 40-59 60 et plus
Êtes-vous propriétaire d'un autre radiateur portable? Oui Non Si oui, type _____ marque _____
Où sera utilisé ce nouveau radiateur? Site de construction Ferme Entrepôt/Commercial Garage/Construction accolée Autre _____
Comment avez-vous été informé du radiateur? Étalage en magasin Annonce dans un journal Annonce dans un magazine
 Ami/Membre de la famille Annonce télévisée Commis-vendeur _____ Autre _____
Pourquoi avez-vous choisi ce radiateur? Style Dimension/Portabilité Prix Emballage Marque Autre _____
Êtes-vous: Propriétaire Où est-ce loué Recommanderiez-vous ce radiateur à un ami?? Oui Non
Veuillez nous faire part de vos commentaires: _____

NOUS VOUS REMERCIONS D'AVOIR RÉPONDU AU QUESTIONNAIRE!

L'information sera gardée confidentielle.

ENREGISTREMENT DE LA GARANTIE

IMPORTANT: Nous vous conseillons forement de remplir la carte d'enregistrement au cours des quatorze (14) journées suivant la date de l'achat. Vous pouvez aussi enregistrer la garantie en ligne au: www.ghpgroupinc.com. Écrivez le numéro de série. Gardez cette partie de la carte pour vos dossiers.



GHP Group, Inc.
6440 W Howard St
Niles, IL 60714-3302

Tel: (877) 447-4768
www.ghpgroupinc.com

CONSERVEZ CETTE CARTE!

Appelez Un
timbre ici

GHP Group, Inc.
6440 W Howard St
Niles, IL 60714-3302

| | | |
|---|--|--|
| <p>KEROSENE/FUEL GUIDELINES</p> <p>For peak performance of this heater, it is strongly suggested that kerosene be used (preferably 1-K). 1-K kerosene has been refined to virtually eliminate contaminants, such as sulfur which can cause a rotten egg odor during the operation of the heater. However, #1 & #2 fuel oil or diesel fuel may also be used if kerosene is not available. Be advised that fuel oil and diesel fuel do not burn as clean as kerosene and care should be taken to provide more fresh air ventilation to accommodate any added contaminants that may be added to the heated space. In addition, use of diesel and fuel oil may require more frequent maintenance of your heater.</p> | <p>PAUTAS PARA EL COMBUSTIBLE/KEROSÉN</p> <p>El uso de kerosén (preferiblemente el 1-K) es altamente sugerido para obtener el desempeño máximo de este calefactor. El kerosén 1-k ha sido refinado para prácticamente eliminar contaminantes como el azufre, el cual puede provocar un olor a huevo podrido durante el funcionamiento del calefactor. Sin embargo, el combustible de aceite o el combustible de diesel también pueden ser utilizados si el kerosén no está disponible. Tenga presente que el consumo del combustible de aceite y el del combustible de diesel no es tan limpio como el del kerosén y se deben tomar medidas de precaución para proporcionar más ventilación de aire fresco para acomodar cualquier contaminante que pueda ser agregado al espacio al cual se le está brindando calefacción. Además, el uso de diesel y combustible de aceite podría requerir que su calefactor reciba mantenimiento con más frecuencia.</p> | <p>KÉROSÈNE/GUIDE DE COMBUSTIBLES</p> <p>Pour assurer la meilleure performance de cette chaudière, il est fortement suggéré que du kérosène soit utilisé (préféablement 1-K). Le kérosène 1-K a été raffiné pour presque éliminer toute sorte de contaminants comme le soufre. Celui-ci peut produire une odeur à œuf pourri pendant l'opération de la chaudière. Tout de même, mazout #1 & #2 ou diesel peuvent être utilisés en absence de kérosène. Il faut cependant remarquer que ni le mazout ni le diesel ne brûlent aussi proprement que le kérosène. Si c'est le cas, il faudrait prendre soin à ventiler avec plus d'air frais à cause des contaminants additionnels qui pourraient s'ajouter à l'espace réchauffé. En plus, l'utilisation de diesel et de mazout pourrait générer un besoin d'entretien plus fréquent de la chaudière.</p> |
| <p>COLD WEATHER</p> | <p>CLIMA FRÍO</p> | <p>PENDANT LA SAISON FROIDE</p> |
| <p>Use only kerosene when the weather turns cold. When air temperatures drop below 30° F fuel temperatures follow and fuel stays cold even as the air warms. On these cold days it is a good idea to avoid using diesel and other lower grades as they can gel causing temporary heater failure.</p> | <p>Use kerosén cuando el clima esté frío. Cuando la temperatura ambiental baja por debajo de los 30° F, la temperatura del combustible también baja y el combustible se mantiene frío mientras el aire se va calentando. En estos días fríos, es una buena idea evitar el uso de diesel y de otros combustibles de categoría baja ya que pueden gelificarse y provocar un fallo temporero en el calefactor.</p> | <p>Quand la température devient froide utilisez seulement du kérosène. En effet, quand la température de l'air descend par-dessous de 30°F, celle des combustibles descend de même. Encore plus, les combustibles restent froids quand la température de l'air remonte. Pendant ces jours froids il est mieux d'éviter le diesel et des combustibles de grade plus bas parce qu'ils gèlent, produisant la panne temporaire de la chaudière.</p> |
| <p>KEROSENE SHOULD ONLY BE STORED IN A BLUE CONTAINER THAT IS CLEARLY MARKED "KEROSENE". NEVER STORE KEROSENE IN A RED CONTAINER.</p> | <p>EL KEROSÉN DEBE SER ALMACENADO SÓLO EN UN CONTENEDOR DE COLOR AZUL Y QUE ESTE CLARAMENTE ROTULADO COMO "KEROSÉN". NUNCA ALMACENE KEROSÉN EN UN CONTENEDOR DE COLOR ROJO.</p> | <p>CONSERVEZ LE KÉROSÈNE SEULEMENT DANS UN BIDON BLEU QUI SOIT CLAIEMENT MARQUÉ "KÉROSÈNE". NE JAMAIS LE CONSERVER DANS UN BIDON ROUGE.</p> |
| <p>Red containers are associated with gasoline.</p> | <p>Los contenedores de color rojo están asociados con gasolina.</p> | <p>Les bidons rouges sont associés avec l'essence.</p> |
| <p>IT IS RECOMMENDED THAT FUEL NOT BE STORED FOR MORE THAN 4 - 6 MONTHS.</p> | <p>SE RECOMIENDA QUE EL COMBUSTIBLE NO SEA ALMACENADO DURANTE MÁS DE 4 A 6 MESES.</p> | <p>IL N'EST PAS RECOMMANDÉ DE CONSERVER LES COMBUSTIBLES PLUS DE 4-6 MOIS.</p> |



Authorized Repair Centers(ARC)- CANADA 2014
Centres de Réparation Agréés(ARC) - CANADA 2014
Centros de Reparación Autorizados(ARC) - CANADÁ 2014

ARGHP - HCJ

| Repair Center Name(ARC) Réparer Nom du Centre(ARC) Nombre del Centro de Reparación(ARC) | Business Address Adresse de l'entreprise Dirección de la Negocio | City Ville Ciudad | Province Province Provincia | Postal Postal Postal | Phone Téléphone Teléfono |
|---|--|-------------------------|-----------------------------------|----------------------------|--------------------------------|
| Alberta | | | | | |
| Red Man Mechanical | 918 16 Street SouthWest | Medicine Hat | AB | T1A 8A4 | 403-878-3626 |
| Red Man Mechanical | 918 16 Street SouthWest | Medicine Hat | AB | T1A 8A4 | 403-878-3626 |
| DeMand Electric | 228-39th Av NE | Calgary | AB | T2E 2M5 | 403-230-2709 |
| Manitoba | | | | | |
| Penn-Co Tool Rental | 25C Penner Dr | Blumenort | MB | R0A 0C0 | 204-326-2266 |
| Newfoundland | | | | | |
| Propane Energy Services Ltd | 22 Murphy's Ln | St. John's | NL | A1E 3E4 | 709-685-2791 |
| Ontario | | | | | |
| Sandham Electric LTD. | 337 St. Paul St | St. Cathrines | ON | L2R 3N1 | 905-682-9948 |
| Pro Equipment Repair & Sales | 29 Killaloe Rd. - Unit 1 | Concord | ON | L4K 2A8 | 416-388-3415 |
| Active Tool Repair | 955 Barton St. E | Hamilton | ON | L8L 3C4 | 905-545-7646 |
| George Power Tools Service, Inc | 1365 Morningside Ave #11 | Scarborough | ON | M1B 4Y5 | 416-286-3933 |
| AJV Tools Ltd | 403 Signet Dr | Weston | ON | M9L 1V3 | 416-743-9032 |
| Speedy Tool Repair & Industrial Supplies | 261 Elgin St. N | Cambridge | ON | N1R 7G4 | 519-624-0122 |
| The Tool Doctor | 30 Mannton Dr #C | Kitchener | ON | N2C 1C3 | 519-748-4780 |
| Murray's Tool Repair | 1190 2nd Ave E | Owen Sound | ON | N4K 2H9 | 519-376-2495 |
| A.C. Jenkins Repair LTD. | 1188 Frances St | London | ON | N5W 2M1 | 519-451-4020 |
| Able Tools | 4311 Buckanan St | Burnaby | ON | V5C 3X7 | 604-299-8358 |
| Prince Edward Island | | | | | |
| Vessey's Equipment | 411 York Rd. Rte 25 | York | PE | C0A 1P0 | 902-892-8873 |
| Quebec | | | | | |
| Guillemette Energies | 251 Ste-Anne | Yamachiche | QC | G0X 3L0 | 819-296-3351 |
| Saskatchewan | | | | | |
| Mark's Mini-Tune | 3430 Hill Av | Regina | SK | S4S 0W9 | 306-586-5777 |
| Ray's Electric Motor Rebuilders | 11152-8th Av | N Battleford | SK | S9A 3X9 | 306-445-1611 |



Authorized Repair Centers(ARC)- USA 2014
Centres de Réparation Agréés(ARC) - USA 2014
Centros de Reparación Autorizados(ARC) - USA 2014

ARCCHP - HCI

| | Repair Center Name(ARC) Réparer Nom du Centre(ARC) Nombre del Centro de Reparación(ARC) | Business Address Adresse de l'entreprise Dirección de la Negocio | City Ville Ciudad | State État Estado | Postal Postal Postal | Phone Téléphone Teléfono |
|--------------------|---|--|-------------------------|-------------------------|----------------------------|--------------------------------|
| Alaska | Matsu Tool Repair, LLC. | 522 McKinley St | Wasilla | AK | 99654 | 907-357-0647 |
| Alabama | A&O General Repair Service | 1470 Opelika Rd | Auburn | AL | 36830 | 334-821-7022 |
| | Alabama Industrial | 907 Alton Pkwy | Birmingham | AL | 35210 | 205-833-8620 |
| | Buddy's Small Engine | 2500 Triana Blvd. | Huntsville | AL | 35805 | 256-536-9404 |
| | J & M Small Engine Repair | 218 Kitletown Rd | Seale | AL | 36875 | 706-304-1404 |
| | Marshall Co. Small Engine | 1320 Guntersville Rd. | Arab | AL | 35016 | 256-200-3803 |
| | Nelson Electric | PO Box 1359 | Alexander City | AL | 35011 | 256-234-3000 |
| | O-C-R Small Engines | 9265 Hwy 431 South | Owens X Roads | AL | 35763 | 256-725-7666 |
| | Outdoor Power & Key Service | 597 S. Brindlee Mtn. Pkwy | Arab | AL | 35016 | 256-586-6555 |
| | Robin's Rents | 3605 S Memorial Parkway | Huntsville | AL | 35801 | 256-883-9312 |
| | Scott Medzi | 28109 Mitchell Loop | Ardmore | AL | 35739 | 256-423-2328 |
| | Tall Paul's Rent-All, Inc. | 125 US Highway 31 N | Athens | AL | 35611 | 256-771-7500 |
| | The Lawn Mower Shop | 6333 Hwy 53 | Harvest | AL | 35749 | 256-701-5595 |
| Arkansas | AMI Rental & Sales | 1016 Hwy 425 S | Monticello | AR | 71655 | 870-367-3715 |
| | AP Supply Co. | 1400 North Oats Street | Texarkana | AR | 71854 | 870-773-6586 |
| | DKC Service, LLC. | 1320 N Main St. | Harrison | AR | 72601 | 870-741-8627 |
| Arizona | Quesco | 3912 E Winslow Ave. | Phoenix | AZ | 85040 | 602-437-8717 |
| California | Azar EMS | 976 Broadway | El Cajon | CA | 92021 | 619-442-3441 |
| | Boyce Industries, Inc. | 1105 Poinsetta Street | Santa Ana | CA | 92701 | 714-667-7111 |
| | Brownie Electric | 25754 Cottonwood Ave. | Moreno Valley | CA | 92553 | 909-242-4292 |
| | Duncan Industrial Solutions | 48 Monroe | Irvine | CA | 92620 | 405-688-2300 |
| | J & N Garden Equipment | 4460 W. Imperial Hwy | Inglewood | CA | 90304 | 310-671-0079 |
| | Lee's Tools | 1924 N. Long Beach Blvd | Compton | CA | 90221 | 310-639-1900 |
| | Nuevo Lawn/Garden Equipment Repair & Supply | 30021 Airport Way | Nuevo | CA | 92567 | 951-928-1102 |
| | Precision Cleaning Systems Inc | 8165 Alpine Ave | Sacramento | CA | 95826 | 916-731-4489 |
| | Those Heater Guys | 255 Stowell St. | Upland | CA | 91786 | 909-982-3011 |
| | Tool Tech Construction Supply, Inc. | 4647-A Las Positas Rd | Livermore | CA | 94551 | 925-443-7922 |
| Colorado | AAA Propane Sales & Rental, Inc. | 7405W. 44th Ave. | Wheat Ridge | CO | 80033 | 303-425-7623 |
| | High Desert Outdoor Power | 351 School St | Craig | CO | 81625 | 970-824-5711 |
| | Metro Gas Equipment Co. | 790 W. 64th Ave. | Denver | CO | 80221 | 303-428-3036 |
| | Miller Electric Motor Service Inc | 609 S. Trail Canyon Dr | Glade Park | CO | 81523 | 970-241-4565 |
| | Pueblo West Rental Center | 579 E Enterprise Dr. | Pueblo West | CO | 81007 | 719-647-2071 |
| Connecticut | Tool & Equipment Service Solution, LLC. | 5 Manila Ave. | Hamden | CT | 06514 | 203-248-7553 |
| Florida | Cutler Repair Service & Sales Inc. | 1855 Kim Acres Lane | Dover | FL | 33527 | 813-659-9770 |
| | Integrated Industrial Services, Inc. | 5033 Spring Glen Rd | Jacksonville | FL | 32207 | 904-398-8124 |



Authorized Repair Centers(ARC) - USA 2014
Centres de Réparation Agréés(ARC) - USA 2014
Centros de Reparación Autorizados(ARC) - USA 2014

ARC/GHP - HCU

| Repair Center Name(ARC) Réparer Nom du Centre(ARC) Nombre del Centro de Reparación(ARC) | Business Address Adresse de l'entreprise Dirección de la Negocio | City Ville Ciudad | State État Estado | Postal Postal Postal | Phone Téléphone Teléfono |
|---|--|-------------------------|-------------------------|----------------------------|--------------------------------|
| Georgia | | | | | |
| Lindl's Electric Motor Service, Inc. | 7016 E. Hwy 22 | Panama City | FL | 32404 | 850-871-1722 |
| North Florida Power Tool Repair Center, Inc. | 3543 W Beaver St | Jacksonville | FL | 32254 | 904-387-4455 |
| Absolute Mower | 166 A Jefferson Street | Newnan | GA | 30263 | 678-423-9006 |
| American Airless Sales & Service | 7960 Hwy 85 - Suite C | Riverdale | GA | 30274 | 770-477-1337 |
| Dean Small Engine Repair | 6076 Atlanta Hwy | Flowery Branch | GA | 30542 | 678-828-1209 |
| Hamilton Ace Hardware | 5300 Veterans Parkway | Columbus | GA | 31904 | 706-322-6545 |
| Hughes Repair, Inc. | 2103 Moon Station Drive NW | Kennesaw | GA | 30144 | 770-423-0300 |
| Johnson Electric Motor Shop, Inc. | 213 Avenue C | Carrollton | GA | 30117 | 770-834-7722 |
| Little Enterprise | 106 Nowhere Road | Athens | GA | 30601 | 706-548-4876 |
| M & M Small Engine | 266 RR 2 | Eastanollee | GA | 30538 | 706-886-2337 |
| Mac's Repair Service | 5634 Savah Street | Alexandria | GA | 71303 | 318-445-3409 |
| Olde School Tool Repair | 4567 Cox Rd | Evans | GA | 30809 | 706-854-8548 |
| S & P Tool Rental | 259 Grayson Hwy | Lawrenceville | GA | 30045 | 770-963-0392 |
| Iowa | | | | | |
| Beals Motor Rewind | 4890 High Country Rd. | Cherokee | IA | 51012 | 712-225-6173 |
| Blink Electric Motors, Inc. | 116 N 1st Ave., Rear | Marshalltown | IA | 50158 | 641-752-3036 |
| Clinton Farm & Fleet #19 | 1600 Lincoln Way | Clinton | IA | 52732 | 563-243-4311 |
| Davenport Farm & Fleet, Inc. #26 | 8535 Northwest Blvd. | Davenport | IA | 52806 | 563-391-4847 |
| Farm & Fleet of Cedar Falls #32 | 219 Brandlynn Blvd. | Cedar Falls | IA | 50613 | 319-277-1641 |
| Farm & Fleet of Dubuque #37 | 2675 N.W. Arterial | Dubuque | IA | 52002 | 563-556-3162 |
| Farm & Fleet of Muscatine #34 | 3300 N. Highway 61 | Muscatine | IA | 52761 | 563-263-6615 |
| Moreland Repair | 2145 Jericho Road | Peosta | IA | 52068 | 563-583-3669 |
| Shoppers Supply | 3112 5th Ave. South | Fort Dodge | IA | 50501 | 515-573-4233 |
| Idaho | | | | | |
| Hahn Tool Repair | 2101 Main Street | Lewiston | ID | 83501 | 208-743-1577 |
| J & J Enterprises | 1704 Addison Ave. East | Twin Falls | ID | 83301 | 208-733-2001 |
| Rick's Electric Inc | 1298 N Yellowstone Hwy | Rexburg | ID | 83440 | 208-356-3062 |
| Rossiter Electric Motor | 1501 S. Capital Avenue | Idaho Falls | ID | 83402 | 208-529-3665 |
| U-Rent, Inc. | 2111 N. 3rd | Couer D'Alene | ID | 83814 | 208-667-4636 |
| Illinois | | | | | |
| Andy's Tool Repair | 3507 N. Kenton Ave | Chicago | IL | 60641 | 773-481-1899 |
| Bert's Rental & Sales | 51 E Plainfield Rd. | Countryside | IL | 60525 | 708-352-6305 |
| Brockhouse Sales & Service | 1000 E College | Jacksonville | IL | 62650 | 217-245-8249 |
| Carter's Small Engine Repair | 206 N. Hickory St. | Galatia | IL | 62935 | 618-268-4814 |
| Custom Labor Unlimited | 403 John St. | Steward | IL | 60553 | 815-739-4711 |
| F.B. McAfoos & Co | 13998 State Hwy 34 East | Benton | IL | 62812 | 618-438-4721 |
| Farm & Fleet of Belvidere #11 | 6674 Logan Ave., P. O. Box 368 | Belvidere | IL | 61008 | 815-544-3282 |
| Farm & Fleet of Bloomington #17 | 2201 W. Market Street | Bloomington | IL | 61705 | 309-829-0018 |
| Farm & Fleet of Decatur #23 | 1191 Southside Drive | Decatur | IL | 62521 | 217-423-3720 |
| Farm & Fleet of Kankakee #21 | 1811 N. State Route 50 | Bourbonnais | IL | 60914 | 815-933-3244 |
| Farm & Fleet of Loves Park #31 | 7300 E. Riverside Blvd. | Loves Park | IL | 61111 | 815-633-0869 |



Authorized Repair Centers(ARC)- USA 2014
Centres de Réparation Agréés(ARC) - USA 2014
Centros de Reparación Autorizados(ARC) - USA 2014

ARCGHP - HCl

| Repair Center Name(ARC) Réparer Nom du Centre(ARC) | Business Address Adresse de l'entreprise Dirección de la Negocio | City Ville Ciudad | State État Estado | Postal Postal Postal | Phone Téléphone Teléfono |
|---|--|-------------------------|-------------------------|----------------------------|--------------------------------|
| Indiana | | | | | |
| Farm & Fleet of Moline #30 | 5900 John Deere Road | Moline | IL | 61265 | 309-797-8183 |
| Farm & Fleet of Montgomery #33 | 400 U.S. Route 30 | Montgomery | IL | 60538 | 630-801-0232 |
| Farm & Fleet of Morton #14 | 150 E. Courtland Street | Morton | IL | 61550 | 309-263-0232 |
| Farm & Fleet of Rockford #12 | 4725 W. State Street | Rockford | IL | 61102 | 815-964-8320 |
| Farm & Fleet of Rockton #36 | 4567 E. Rockton Road | Roscoe | IL | 61073 | 815-624-2679 |
| Farm & Fleet of Sycamore #10 | 1300 Dekalb Ave. | Sycamore | IL | 60178 | 815-899-1716 |
| Farm & Fleet of Urbana #25 | 2701 N. Cunningham Ave. | Urbana | IL | 61802 | 217-367-1354 |
| Four Seasons Outdoor Power | 2110 Harlem Road | Loves Park | IL | 61111 | 815-633-2661 |
| Freeport Farm & Fleet, Inc. #13 | 1755 S. West Ave. | Freeport | IL | 61032 | 815-235-5140 |
| Gene's Electric | 105N Main St. | Toluca | IL | 61369 | 815-452-2610 |
| Geneseo Farm & Fleet, Inc. #15 | 1098 S. Chicago Street | Geneseo | IL | 61254 | 309-944-5328 |
| John's Mower Service | 3620 East Williams St. | Decatur | IL | 62521 | 217-425-2959 |
| Ken-Co Services | 9201 Starboard Dr | Roscoe | IL | 61073 | 815-282-2211 |
| Ottawa Farm & Fleet, Inc. #16 | 4140 Columbus Street | Ottawa | IL | 61350 | 815-433-4536 |
| Pick-A-Tool Rentals | 12022 South S Halsted | Chicago | IL | 60628 | 773-468-7574 |
| Sterling Farm & Fleet, Inc. #18 | 3913 E. Lincolnway, P. O. Box 412 | Sterling | IL | 61081 | 815-625-9028 |
| Terry's Small Engines | 110 W. Virginia Street | Harrisburg | IL | 62946 | 618-252-3992 |
| Tri-City Maintenance & Repair, Inc. | 40W 165 Fabyan Pkwy | Elburn | IL | 60119 | 630-262-8296 |
| Woodstock Farm & Fleet, Inc. #20 | 11501 IL Route 14 | Woodstock | IL | 60098 | 815-338-2549 |
| Indiana | | | | | |
| All-Pro Repair Service | 2115 Massachusetts Ave | Indianapolis | IN | 46218 | 317-916-5950 |
| Eskew Enterprises, Inc. | 1447 N. Harding Street | Indianapolis | IN | 46202 | 317-264-9028 |
| General Rental Center, Inc. | 6 Sullivan Dr. | Washington | IN | 47501 | 812-254-2707 |
| Griffith Rentals & Sales | 130 S Broad St | Griffith | IN | 46319 | 219-924-8720 |
| Industrial Motor & Tool | 60282 Co. Rd. 21 | Goshen | IN | 46528 | 574-534-8282 |
| Industrial Tool Sales & Service, Inc. | 712 West 6th Street | Jasper | IN | 47546 | 812-482-7895 |
| LaFayette Mower Repair | 12926 N 1225 W | Monticello | IN | 47960 | 765-448-9956 |
| Midway Rentals, Inc. | 13050 Wicker Av | Cedar Lake | IN | 46303 | 219-374-4000 |
| New Paris Pro Hardware & Farm Store | 68443 North Main Street | New Paris | IN | 46553 | 574-831-4823 |
| Nichols Supply | 2018 N Park Rd. | Connersville | IN | 47331 | 765-825-3741 |
| R & C'S Small Engine Repair | 13630 Wicker Ave. | Cedar Lake | IN | 46303 | 219-374-9660 |
| S & J Small Engine | 470 South Mapleton St | Columbus | IN | 47201 | 812-378-4877 |
| Sarver's Angola Power Equipment Co. | 1450 S. Wayne Street | Angola | IN | 46703 | 260-665-2611 |
| Schwartz Electric, Inc | 313 E Waterford St | Wakarusa | IN | 46573 | 574-862-4221 |
| Space Heater Parts | 212 W 700 N | Valparaiso | IN | 46385 | 219-242-8778 |
| Kansas | | | | | |
| Morris Electric & Repair | 2423 5th St. | Great Bend | KS | 67530 | 620-792-2919 |
| Naab Electric, Inc. | 2013 W. Jones Ave. | Garden City | KS | 67846 | 620-276-8101 |
| Kentucky | | | | | |
| Adam's Repair Service | 4230 Troy Pike | Versailles | KY | 40383 | 859-221-2774 |
| Gillum's Sales & Repair, Inc | 8611 US Route 60 | Ashland | KY | 41102 | 606-928-4932 |
| Hedgepeth Supply Co | 1406 Hedgepeth Rd | Canmer | KY | 42722 | 270-528-2133 |



Authorized Repair Centers(ARC)- USA 2014
Centres de Réparation Agréés(ARC) - USA 2014
Centros de Reparación Autorizados(ARC) - USA 2014

| Repair Center Name(ARC) Réparer Nom du Centre(ARC) Nombre del Centro de Reparación(ARC) | Business Address Adresse de l'entreprise Dirección de la Negocio | City Ville Ciudad | State État Estado | Postal Postal Postal | Phone Téléphone Teléfono |
|---|--|-------------------------|-------------------------|----------------------------|--------------------------------|
| Louisiana | | | | | |
| Hopkinsville Electric Motor Service | 704 West 15th Street | Hopkinsville | KY | 42240 | 270-886-7585 |
| Lanny's Auto & Mower Parts | 915 B Lovers Lane | Bowling Green | KY | 42103 | 270-842-4866 |
| Needmore Repair | 2320 Roseville Rd | Glasgow | KY | 42141 | 270-710-1074 |
| Ormsco Inc. | 1413 South Main Street | London | KY | 40741 | 606-864-7319 |
| Pauls Lawn & Turf Inc. | 515 Industrial Dr. | Glasgow | KY | 42141 | 270-678-9888 |
| Roman's Repair Center | 1521 Old Louisville Rd | Bowling Green | KY | 42101 | 270-746-0857 |
| Service Auto Parts, Inc. | 391 East 4th Street | Russellville | KY | 42276 | 270-726-3134 |
| Louisiana | | | | | |
| Portable Repair Services | 411 S Ave H | Crawley | LA | 70526 | 337-247-4545 |
| Southwest Equipment | 416 S Landry Drive | New Iberia | LA | 70560 | 337-367-2501 |
| Massachusetts | | | | | |
| Express Pump Repair, Inc. | 16 Brookside Rd | Braintree | MA | 02184 | 781-848-2706 |
| F. C. Taplin | 120 Interstate Drive | West Springfield | MA | 01089 | 413-781-4352 |
| Rental Equipment Company | 610 Salem St | Wakefield | MA | 01880 | 781-245-5666 |
| Rent-All, Inc. | 475 Highland Ave. | Salem | MA | 01970 | 978-744-4600 |
| RLT Enterprises | 12 Belding Circle | Brockton | MA | 02302 | 508-583-5379 |
| The Repair Shop, Inc. | 18 Sea View Ave. | Wintthrop | MA | 02152 | 617-846-8480 |
| Maryland | | | | | |
| Germco Inc | 21411 Dunk Freeland Rd | Parkton | MD | 21120 | 410-343-1116 |
| Hemp's Power Tool Repair, Inc. | 13407 Graceham Road | Thurmont | MD | 21788 | 301-898-9916 |
| Lehman Hardware | 5921 Belair Road | Baltimore | MD | 21206 | 410-483-5888 |
| Myers Tool Rental | 10714 Ocean Gatewy | Berlin | MD | 21811 | 410-641-3497 |
| Tool Solutions, LLC. | 11822 Pika Drive | Waldorf | MD | 20602 | 301-396-3989 |
| Wainwright Lawn Equip | 10304 Cathell Rd | Berlin | MD | 21811 | 410-641-2694 |
| Maine | | | | | |
| Millmark Products, Inc. | 785 Red Bridge Rd | Ellsworth | ME | 04605 | 207-667-6763 |
| Roger Agotte Electric, Inc. | 41 Main Street | Madawaska | ME | 04756 | 207-728-4253 |
| Michigan | | | | | |
| A-1 Rental, Inc. | 2285 W. Liberty | Ann Arbor | MI | 48103 | 734-663-0060 |
| All Parts Equipment and Accessories | 1083 Pine Ridge Rd | Martin | MI | 49070 | 877-475-5660 |
| Bill's Repair and Sharpening | 1500 Corunna Avenue | Owosso | MI | 48867 | 989-725-2533 |
| Bob's Service Shop L.L.C. | 2537 West Draher Road | Oxford | MI | 48371 | 248-628-2601 |
| Bush Hardware | 231 So. Main | Sheridan | MI | 48884 | 989-291-3411 |
| CMR(Copenhaver Machine & Tool Repair) | 5909 1st St. | Ludington | MI | 49431 | 231-845-1345 |
| Contractors Equipment & Supply | 1986 Sprinkle Rd | Kalamazoo | MI | 49048 | 269-382-2435 |
| Don's Tractor & Equipment Sales | 2516 M 32 West | Alpena | MI | 49707 | 989-356-6317 |
| Joe's Lawn and Garden | 1141 26th Street | Allegan | MI | 49010 | 269-673-8736 |
| Lange & Leaman Electric | 2840 Universal Dr. | Saginaw | MI | 48603 | 989-497-8620 |
| Mac's Service Equipment | 21109 Dequindre | Hazel Park | MI | 48030 | 248-548-5200 |
| Martin Electric Motor Sales & Service | 10116 W Cleveland Road | Carson City | MI | 48811 | 989-584-3850 |
| Master Service Center | 5210 W. River Dr. | Comstock | MI | 49321 | 616-647-0654 |
| Mid-Michigan Repair Service, Inc. | 680 S Poseyville Rd | Midland | MI | 48640 | 989-835-6014 |



Authorized Repair Centers(ARC)- USA 2014
Centres de Réparation Agréés(ARC) - USA 2014
Centros de Reparación Autorizados(ARC) - USA 2014

| Repair Center Name(ARC) Réparer Nom du Centre(ARC) Nombre del Centro de Reparación(ARC) | Business Address Adresse de l'entreprise Dirección de la Negocio | City Ville Ciudad | State État Estado | Postal Postal Postal | Phone Téléphone Teléfono |
|---|--|-------------------------|-------------------------|----------------------------|--------------------------------|
| Moe Sales & Service | G-3228 Klienpell Street | Burton | MI | 48529 | 810-744-3520 |
| Rentals Unlimited | 3100 N US 31 S | Traverse City | MI | 49684 | 231-941-0311 |
| Schaves Small Engine Repair | 4238 Main Street | Port Hope | MI | 48468 | 989-428-4242 |
| State Street Hardware | 614 North State St. | Big Rapids | MI | 49307 | 231-796-8122 |
| Studz Hardware | 4457 South Telegraph Road | Dearborn Heights | MI | 48125 | 313-563-1058 |
| Sumpter Ace Hardware | 19500 Sumpter Rd. | Belleville | MI | 48111 | 734-697-9363 |
| Superior Electric Company Inc. | 1740 Presque Isle Avenue | Marquette | MI | 49855 | 906-226-9051 |
| Team Equipment Co | 22707 Schoenherr Rd | Warren | MI | 48089 | 586-552-4000 |
| Tool Medic | 11395 N. Saginaw Rd. | Clio | MI | 48420 | 810-687-6691 |
| Minnesota | | | | | |
| Amps, Inc. | 360 Railroad Ave. | Albany | MIN | 56307 | 320-845-4690 |
| C & S Supply Co, Inc. | 1951 N. Riverfront Dr. | Mankato | MIN | 56001 | 507-387-1171 |
| Dalton Sports & Repair | 26986 125th Street | Dalton | MIN | 56324 | 218-589-8761 |
| Electric Motor Repair, Inc. | 2010 North 4th St. | Minneapolis | MIN | 55411 | 612-588-4693 |
| Jims' Small Engine Repair | 12331 County Road 8 SW | Stewartville | MIN | 55976 | 507-533-9268 |
| Mimbach Fleet Supply | 3355 Quail Road NE | Sauk Rapids | MIN | 56379 | 320-252-1682 |
| Neil's Electric | 5515 65th St. NW | Rochester | MIN | 55901 | 507-288-0908 |
| Northwood Turf & Power | 7045 Foley Rd. | Baxter | MIN | 56425 | 218-829-5356 |
| Petes Electric Motor Repair | 218 County Rd 24 | Mineota | MIN | 56264 | 507-428-3585 |
| Reeds Sales | 1260 Payne Av | St. Paul | MIN | 55130 | 651-774-9515 |
| Missouri | | | | | |
| Big Muddy Motor Sports | 1713 South Perryville Blvd | Perryville | MO | 63775 | 573-547-1017 |
| Precision Small Engines, Inc. | 951 E 430th Rd. | Bolivar | MO | 65613 | 417-326-7878 |
| Montana | | | | | |
| Allen's Tool Repair | 115 5th Street West | Billings | MT | 59101 | 406-248-3865 |
| Big Sky Power Equipment | 1439 NW Bypass | Great Falls | MT | 59404 | 406-761-6688 |
| Jerome Small Engine Repair | Rte. 1 Box 2239 | Miles City | MT | 59301 | 406-874-9543 |
| North Carolina | | | | | |
| Burke Outdoor, Inc. | 418 W. Fleming Dr. | Morgantown | NC | 28655 | 828-433-0158 |
| Express Pump Repair | 308 Old Dairy - Unit 140 | Wilmington | NC | 28405 | 910-791-7277 |
| General Motor Repair & Service, Inc. | 2206 Westbrook Street | Greensboro | NC | 27407 | 336-292-1715 |
| Handy Rental, Inc. | 362 Hwy 158 | Roanoke Rapids | NC | 27870 | 252-537-3800 |
| Haywood Tractor & Implement | 1583 Dalewood Road | Lake Junaluska | NC | 28745 | 828-926-1671 |
| Haywood Tractor Company, Inc. | 1583 Dellwood Rd. | Waynesville | NC | 28786 | 828-926-1671 |
| Hufhams Small Engines | 3301 NC Hwy 133 | Rocky Point | NC | 28457 | 910-675-2029 |
| J & S Tool Repair | 1309 Hodges St | Raleigh | NC | 27604 | 919-856-0050 |
| JE Womble & Sons; Small Engine Shop | 900 Summerville Marners Road | Lillington | NC | 27546 | 910-893-5753 |
| Leonard Electric Motor Repair, Inc. | 531 North Fayetteville Street | Asheboro | NC | 27203 | 336-625-2375 |
| Lexington Mower Service | 555 Central Ave | Lexington | NC | 27292 | 336-248-2013 |
| McLamb LP Gas & Supply Co. | 3469 NC Hwy 242 South | Benson | NC | 27504 | 919-894-3842 |
| Moores Dairy Equipment, Inc. | 533 Old Mocksville Rd. | Statesville | NC | 28625 | 704-872-6373 |

North Dakota



Authorized Repair Centers(ARC) - USA 2014
Centres de Réparation Agréés(ARC) - USA 2014
Centros de Reparación Autorizados(ARC) - USA 2014

ARC/GHP - HC

| Repair Center Name(ARC) Réparer Nom du Centre(ARC) Nombre del Centro de Reparación(ARC) | Business Address Adresse de l'entreprise Dirección de la Negocio | City Ville Ciudad | State État Estado | Postal Postal Postal | Phone Téléphone Teléfono |
|---|--|-------------------------|-------------------------|----------------------------|--------------------------------|
| RP Rentals, Inc. | 1855 Stan Hope St | Ridgewood | NY | 11385 | 718-456-7397 |
| Stewart Electric Repair | 412 Broadway | Schenectady | NY | 12305 | 518-393-5837 |
| TNT Sales & Service | 105 Court St. | Little Valley | NY | 14755 | 716-938-9392 |
| VanDervort Repair & Rebuild | 185 Shady Hill Road | Apalachin | NY | 13732 | 607-625-4658 |
| White Tool & Supply, Inc. | 3047-51 Atlantic Avenue | Brooklyn | NY | 11208 | 718-277-8844 |
| Ohio | | | | | |
| Apple Farm Supply Inc | 19161 Kentner Road | Botkins | OH | 45306 | 937-693-3848 |
| Brian Frank's Electric, Inc. | 11424 Beech St. NE | Alliance | OH | 44601 | 330-821-5457 |
| Cambridge Power Inc. | 146 Glenn Hwy | Cambridge | OH | 43725 | 740-432-3011 |
| Campbell Heating and Air | 1514 11th St. | Portsmouth | OH | 45662 | 740-353-0240 |
| Canon's Lawn and Garden | 7924 Warren Sharon Road | Brookfield | OH | 44403 | 330-448-4222 |
| Carter Electrical Repair | 3448 Lunar Road N.E. | Carrollton | OH | 44615 | 330-627-4061 |
| Clark's Heating Supply | 20768 Township RD 164 | Coshocton | OH | 43812 | 740-622-1881 |
| Country Hearth | 5106 Dorr St. | Toledo | OH | 43615 | 419-531-6622 |
| Doc's Lawn and Garden Equipment | 12704 Lincoln Way West | Massillon | OH | 44647 | 330-837-4672 |
| Egy's Mower & Chainsaw | 545 Hail Road | Elyria | OH | 44035 | 440-323-6998 |
| Electric Motor Products & Services Co. | 203 South Illinois Avenue | Mansfield | OH | 44905 | 419-589-3434 |
| E-Z Rent-All | 3950 Nine Mile Rd. | Cincinnati | OH | 45255 | 513-943-8000 |
| Hilltop Lawn & Garden, Inc. | PO Box 51 | Columbiana | OH | 44408 | 330-427-1220 |
| Hull Brothers Inc | 520 East Boundary Street | Fort Recovery | OH | 45846 | 419-375-4162 |
| Kay-Dee Air Electric | 5466 Lake Ct. | Cleveland | OH | 44114 | 216-881-2565 |
| Ken's Repair | 3246 S Sectionline Rd | Delaware | OH | 43015 | 740-369-4798 |
| Midwest Spray | 11553 Grooms Road | Cincinnati | OH | 45242 | 513-242-4500 |
| Miller Lawn & Power Equipment | 1299 Harding Hwy E | Marion | OH | 43302 | 740-382-9162 |
| North Canton Repair Shop | 1555 North Main Street | North Canton | OH | 44720 | 330-499-3529 |
| North East Mower Service | 412 East 156th Street | Cleveland | OH | 44110 | 216-531-8197 |
| Smalltown Sales & Service | 9790 Route 36 | St. Paris | OH | 43072 | 937-663-4467 |
| Stoller Lawn & Garden, Inc. | 10355 Back Orrville Rd. | Orrville | OH | 44667 | 330-682-7436 |
| Torpedo Heat | 12608 Grimsby | Cleveland | OH | 44135 | 877-736-6230 |
| Worcester's Sales & Service | 34200 Lorain Road | North Ridgeville | OH | 44039 | 440-327-2196 |
| Oklahoma | | | | | |
| All Seasons Small Engine Repair | 14808 E Echo Dr | Claremore | OK | 74019 | 918-284-4325 |
| Enid Electric Motor Service, Inc. | 1410 N. 4th | Enid | OK | 73701 | 580-234-8622 |
| Equipment One Rental & Sales, Inc. | 11710 E 76th St N | Owasso | OK | 74055 | 918-272-2441 |
| Mike's Sales & Repair | 215 N 4th St. | Clinton | OK | 73601 | 580-323-3995 |
| Smith's Small Engine | 214 W. Elm Ave. | Duncan | OK | 73533 | 580-255-1283 |
| Tauber LLC | 5707 Sandy Dr | Enid | OK | 73703 | 580-242-3905 |
| Pennsylvania | | | | | |
| Brady's Small Engine Repair | 3390 Mountain Road | Hamburg | PA | 19526 | 610-468-2429 |
| Brown's Equipment & Supply Co. | 3519 Kensington Avenue | Philadelphia | PA | 19134 | 215-743-8825 |
| Brownsville Hardware | 6027 National Pike | Grindstone | PA | 15442 | 724-785-4100 |
| Burkholder's Motor Repair | 115 Martin Rd. | Myerstown | PA | 17067 | 717-866-9724 |



Authorized Repair Centers(ARC)- USA 2014
Centres de Réparation Agréés(ARC) - USA 2014
Centros de Reparación Autorizados(ARC) - USA 2014

| Repair Center Name(ARC) Réparer Nom du Centre(ARC) Nombre del Centro de Reparación(ARC) | Business Address Adresse de l'entreprise Dirección de la Negocio | City Ville Ciudad | State État Estado | Postal Postal Postal | Phone Téléphone Teléfono |
|--|--|-------------------------------|-------------------------|----------------------------|--------------------------------|
| Charles J. Mertes Electrical & Mechanical Contractor, Cochran Electric Motor Repair Copper Creek | 2041 Quaker Hill Rd. 1582 Millbrook Rd. 38 State Rd. | Cogan Station Grove City | PA | 17728 16127 | 570-435-3378 814-786-9056 |
| Dave's Small Engine Repair Edmeads Electric Motor Service, Inc. Elizabeth Lawn & Snow | 806 Wyoming Ave 225 Jerseytown Road 11 W Elm St | Barnesville Erie | PA | 18214 16505 | 570-467-2792 814-838-2159 |
| Hendrickson's True Valve Hardware Honesdale Agway | 110 Railroad Street 35 Brown Street | Danville Fairchance | PA | 17821 15436 | 570-275-0869 724-564-7831 |
| Hornungs True Value Hydraulics Ind Supplies Co (DBA HISCO) | 509 South 29th Street 300 East Madison Av | Harrisburg Clifton Heights | PA | 17104 19018 | 717-558-9935 610-248-2100 |
| Lycorning Lawn & Garden M & S Hardware | 1860 Lycorning Mall Dr. 10 W Broad St | Pennsdale Tamaqua | PA | 17756 18252 | 570-546-7331 570-668-3838 |
| Mc Coy's Hardware Service & Repair Paul's Machine Shop | 151 Maple St. 1065 Upper Raven Creek Rd. | Millroy Benton | PA | 17063 17814 | 717-667-2300 570-925-2846 |
| Paul's Small Engine Service Petrosky's Pro Hardware Pitts Rental and Sales Inc. | 214 Birchwood Dr 602 Alexandria Street 14435 Conneaut Lake Rd. | Transfer Latrobe | PA | 16154 15650 | 724-962-2305 724-537-3541 |
| Pro-Fix R & M Nolt | 136 Narrows Rd, Rt. 11 290 S. Shirk Rd. | Meadville Larksville | PA | 16335 18651 | 814-382-3232 570-288-0476 |
| Scranton Grinder & Hardware Stahl's Rental Center, Inc. Stouffer Bros. Inc. | 1020 Hemlock St 7211 Paxton St. 1066 Lincoln Way West | New Holland Scranton | PA | 17557 18505 | 717-354-0198 570-344-2520 |
| Stroudsburg Electric Motor Service Verri's Heating & Appliance | 756 Phillips St. 1326 Kennedy Blvd. | Harrisburg Stroudsburg | PA | 17202 18360 | 717-263-8424 570-421-8909 |
| Colonial Fix-It-Shop & Small Appliance Hospital, Inc. | 65 Touro St. | Aliquippa Newport | PA | 15001 02840 | 724-375-8200 401-849-3340 |
| Ed's Repair / Strout Enterprises Four Bridges Small Engines La Porte's | 1710 Remount Road 2110 Four Bridges Rd 2442 North Fifth Street | Hanahan Sumter | SC | 29410 29153 | 843-554-1555 803-469-0224 |
| Mullins Tool Rental Summerville Lawn Mower & Heater | 903 S. Cashua Drive 10700 Dorchester Rd | Hartsville Florence | SC | 29550 29501 | 843-332-0191 843-665-7165 |
| Roger's Electric Motor Service | 205 East 22nd Ave | Summerville Milbank | SC | 29485 57252 | 843-871-1673 605-432-6990 |
| Authorized Equipment Service D & J Small Engines Jerry's A to Z Inc. | 812 Polk Avenue 2723 Huntsville Hwy 115 Midtown Ct. | Memphis Fayetteville | TN | 38126 37334 | 901-774-0850 931-438-4445 |
| Macon Small Engines Manchester Small Engine Master Repair Services | 114 E. Locust Street 912 Lincoln Street | Hendersonville Lafayette | TN | 37075 37083 | 615-822-8170 615-666-2186 |
| Red Barn Motor-Sports & Power Equipment, Inc. | 5134 Hwy 127 N. 2810 Memorial Blvd. | Manchester Crossville | TN | 37355 38571 | 931-728-1944 931-484-2061 |
| | | Springfield | TN | 37172 | 615-382-8443 |



Authorized Repair Centers(ARC)- USA 2014
Centres de Réparation Agréés(ARC) - USA 2014
Centros de Reparación Autorizados(ARC) - USA 2014

ARC/GHP - HC

| Repair Center Name(ARC) Réparar Nom du Centre(ARC) Nombre del Centro de Reparación(ARC) | Business Address Adresse de l'entreprise Dirección de la Negocio | City Ville Ciudad | State État Estado | Postal Postal Postal | Phone Téléphone Teléfono |
|---|--|-------------------------|-------------------------|----------------------------|--------------------------------|
| Texas | | | | | |
| Vista Small Engine | 1510 Vista Lane | Clarksville | TN | 37043 | 931-552-6953 |
| Worldwide Heating Products | 425 N. Cumberland | Morristown | TN | 37815 | 423-587-9425 |
| All-Right Mowers | 2116 1st St | Rosenburg | TX | 77471 | 281-341-7444 |
| Angelo Tool Specialty | 2829 N Bryant Blvd | San Angelo | TX | 76903 | 325-655-6201 |
| A-Team Rentals | 1715 E 10th | Amarillo | TX | 79102 | 806-373-8326 |
| Bay Area Maintenance | 6002 E I-40 | Baytown | TX | 77521 | 281-427-5594 |
| Bill's Small Engine | 1614 Parkhaven Drive | Seagoville | TX | 75159 | 972-287-5872 |
| Brooklyn's Small Engine Repair | 121 South Main Street | Godley | TX | 76044 | 817-389-2305 |
| Caprock Equipment Services and Supply, Inc. | 2112-50th Street | Lubbock | TX | 79412 | 806-747-9177 |
| Cougar Cleaning Equipment | 3841 W. Loop 338 | Odessa | TX | 79764 | 432-381-5450 |
| David Dunn Repair Service, Inc. | 3506 34th St. | Lubbock | TX | 79410 | 806-792-1770 |
| Dean's Power Tool & Repair | 1906 Rhode Island | Midland | TX | 79701 | 432-682-0377 |
| Family Farm Store | 501 N Dumas Av | Dumas | TX | 79029 | 806-935-7719 |
| Grayson Compressor | 2525 W. Morton St. | Denison | TX | 75020 | 903-465-2355 |
| Larry's Repair & Sharpening | 1603 W. Market Street | Rockport | TX | 78382 | 361-729-8892 |
| Mullin Small Engine Repair | 112 S. Main Ave. | Denver City | TX | 79323 | 806-592-7728 |
| Outdoor Power Products | 640 Airport Rd | Sulphur Springs | TX | 75482 | 903-885-7790 |
| Paul's Parts | 11710 Frankford Ave | Lubbock | TX | 79424 | 806-793-9510 |
| Power Equipment Specialty, Inc. | 7900 Hwy 71 W - Suite A | Austin | TX | 78735 | 512-288-1334 |
| Safe Way Rental Equip Co. Inc. | 11501 Manchaca Rd | Austin | TX | 78748 | 512-280-0203 |
| Small Engine Sales | 1207 No. Beaton | Corsicana | TX | 75110 | 903-872-8404 |
| Southwest Electric Motor Service, Inc. | 3008 Canton Street | Dallas | TX | 75226 | 214-742-8211 |
| Walker County LP-Gas, Inc | 1387 HWY 75 N. | Huntsville | TX | 77342 | 936-295-4091 |
| Utah | | | | | |
| Industrial Repair Service | 1217 East 1500 South | Vernal | UT | 84078 | 435-789-0136 |
| Roosevelt Rentals | 133 South 300 E | Roosevelt | UT | 84066 | 435-722-1599 |
| Seven-M Enterprise | 511 North 1300 E #2A | St. George | UT | 84770 | 435-986-0836 |
| Washington | | | | | |
| Burke Power Equipment & Small Engine Repair | 17461-147th St. S.E. Suite #17 | Monroe | WA | 98272 | 360-794-6767 |
| CHS | 238 8th St. SE | Auburn | WA | 98002 | 253-357-6855 |
| Equipment Repair Services | 9612-B 40th Av SW | Lakewood | WA | 98499 | 253-617-3713 |
| Industrial Specialties, Inc. | 1587 N National Ave. | Chehairs | WA | 98532 | 360-748-0247 |
| Tuco Industrial Products, Inc. | 5223 180th St. SW | Lynnwood | WA | 98037 | 425-743-9533 |
| Wisconsin | | | | | |
| American Power Equipment Inc. | 4144 Northwest Hwy | Waterford | WI | 53185 | 262-534-4785 |
| Appliance Repair | N5508 County Line Rd | Spooner | WI | 54801 | 715-635-8491 |
| Bennett's Electric Motor Service | 1727 Neva Road | Antigo | WI | 54409 | 715-623-5388 |
| Craig's Small Engine | 4018 Velp Ave. | Green Bay | WI | 54313 | 920-434-1035 |
| Farm & Fleet of Baraboo #28 | 1100 South Blvd. | Baraboo | WI | 53913 | 608-356-7736 |
| Farm & Fleet of Chippewa Falls #09 | 2583 S. Prairie View Road | Chippewa Falls | WI | 54729 | 715-723-1806 |
| Farm & Fleet of Dodgeville, Inc. #02 | 4894 County Trunk YZ, P. O. Box 178 | Dodgeville | WI | 53533 | 608-935-2755 |



Authorized Repair Centers(ARC)- USA 2014
Centres de Réparation Agréés(ARC) - USA 2014
Centros de Reparación Autorizados(ARC) - USA 2014

ARCGRP - HC

| Repair Center Name(ARC) Réparer Nom du Centre(ARC) Nombre del Centro de Reparación(ARC) | Business Address Adresse de l'entreprise Dirección de la Negocio | City Ville Ciudad | State État Estado | Postal Postal Postal | Phone Téléphone Teléfono |
|---|--|-------------------------|-------------------------|----------------------------|--------------------------------|
| Farm & Fleet of Janesville, Inc. #03 | 2421 Old Humes Road | Janesville | WI | 53545 | 608-752-6377 |
| Farm & Fleet of LaCrosse #27 | 9438 State Road 16 | Onalaska | WI | 54650 | 608-781-3130 |
| Farm & Fleet of Madison, Inc. #22 | 2202 S. Stoughton Road | Madison | WI | 53716 | 608-221-3851 |
| Farm & Fleet of Monroe, Inc. #24 | 251 Eighth Street, P. O. Box 262 | Monroe | WI | 53566 | 608-325-2050 |
| Farm & Fleet of Oak Creek #29 | 501 W. Rawson Ave., P. O. Box 265 | Oak Creek | WI | 53154 | 414-764-6606 |
| Farm & Fleet of Platteville, Inc. #07 | 1535 E. Business Highway 151 | Platteville | WI | 53818 | 608-348-2484 |
| Farm & Fleet of Rice Lake, Inc. #08 | 2011 S. Main Street | Rice Lake | WI | 54868 | 715-234-7092 |
| Farm & Fleet of Sturtevant #06 | 8401 Durand Ave., P.O. Box 566 | Sturtevant | WI | 53177 | 262-886-2757 |
| Farm & Fleet of Verona #35 | 600 Hometown Circle | Verona | WI | 53593 | 608-848-4968 |
| Farm & Fleet of Watertown #04 | 1400 W. Main Street | Watertown | WI | 53098 | 920-261-4910 |
| Farm & Fleet of Waukesha #05 | 2310 Kossow Road | Waukesha | WI | 53186 | 262-784-7708 |
| Huntz Service Center | 2413 W Veterans Pkwy | Marshfield | WI | 54449 | 715-384-9616 |
| Ken's Economy Sales | 8887 Hwy A | Marshfield | WI | 54449 | 715-676-2143 |
| Kewaunee Small Engine | E2068 State Hwy 29 | Kewaunee | WI | 54216 | 920-388-2604 |
| Reliance Electric Motors | 1621 Livingston Rd. | Hudson | WI | 54016 | 715-386-3633 |
| Staudt Small Engine | 1923 14th St. | Two Rivers | WI | 54241 | 920-793-3161 |
| West Virginia | | | | | |
| Biedler's Electric Motor Repair, Inc. | 194 Hack Wilson Way / POBox 1022 | Martinsburg | WV | 25401 | 304-263-9995 |
| Gentek Repair, LLC. | HC 62 Box 181 | Romance | WV | 25248 | 304-988-1316 |
| Mac's Garage | 1806 Kanawha Terrace | St. Albans | WV | 25177 | 304-727-6031 |
| Nitro Lawnmower & Chainsaw, LLC. | 315 1st Ave. S. | Nitro | WV | 25143 | 304-727-5701 |
| Noel's Outdoor Power Equipment | 6444 1/2 Sissonville Dr | Sissonville | WV | 25320 | 304-984-3077 |
| Wyoming | | | | | |
| Keith's Small Engine Repair | 609 Pine Avenue | Kemmerer | WY | 83101 | 307-877-5702 |
| L & P Equipment & Repair | 1301 Arlyn Ct. | Gillette | WY | 82718 | 307-680-9028 |