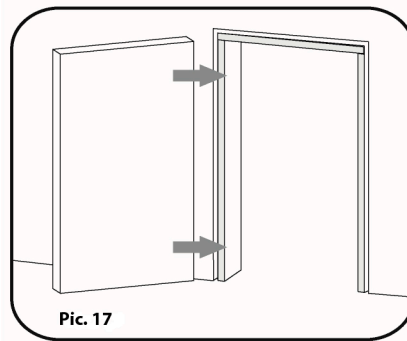


Step 9 (Pic. 17)

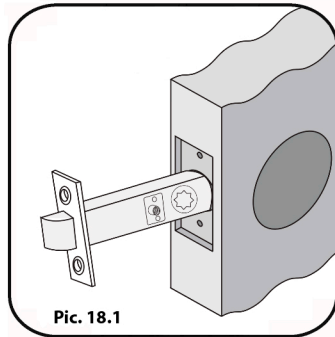
Insert the door leaf (1) into the doorframe and fix the hinges with the screws in the pre-marked places (see the step 3).



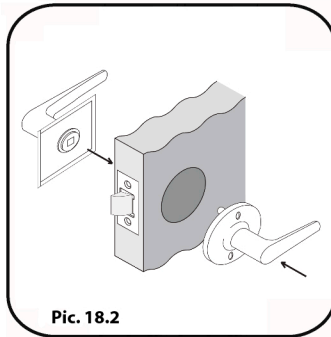
Pic. 17

Step 10 (Pic. 18)

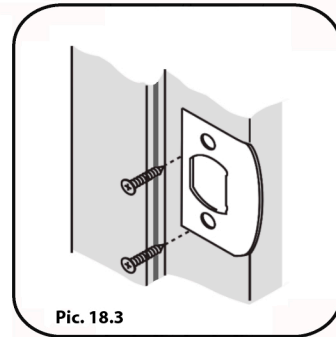
Install the door latch and the handles (3) according to the installation instructions (Pic. 18.1, Pic. 18.2). Fit and fasten the strike plate according to installation instructions (Pic. 18.3).



Pic. 18.1



Pic. 18.2



Pic. 18.3

Step 11

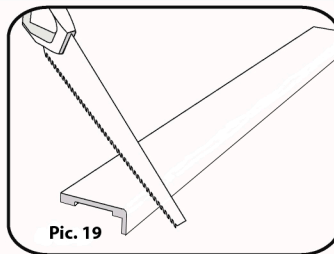
Cut off the side casings (5.1) to ensure that they are higher than the doorframe on 9/16" (Pic. 19).

Remove the lateral leg in order to fit the side casing (Pic. 20).

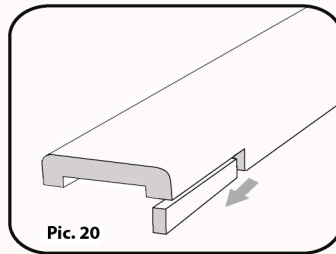
Apply the adhesive on the inner side of the casing leg (Pic. 21) and insert the side casing into the groove of the doorframe (Pic. 23). Measure the distance between the side casings (Pic. 23).

Cut off the head casing of required length.

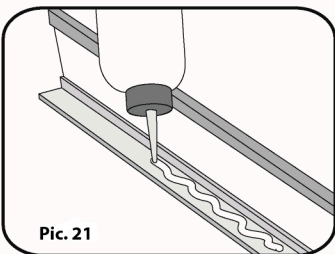
Apply the adhesive on the inner side of the casing leg (Pic. 21) and insert the top casing into the groove of the doorframe.



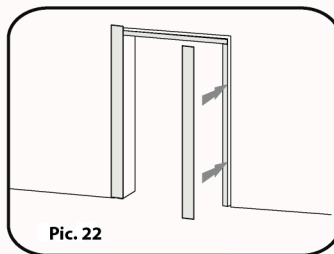
Pic. 19



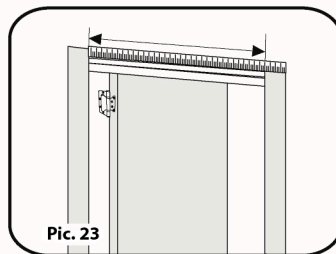
Pic. 20



Pic. 21



Pic. 22



Pic. 23



SARTO

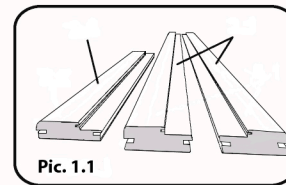
European quality
in technologies

INSTALLATION MANUAL

www.sartodoors.com

TOOLS REQUIRED:

- Tapeline
- Knife
- Drill
- Screwdriver
- Compound miter saw or handsaw
- Adhesive ("liquid nails" or PVA in the bottle with a narrow nozzle)

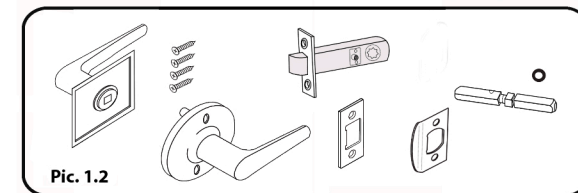


Pic. 1.1

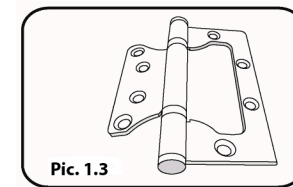
Step 1

Check the completeness of the product before installation.

1. Door leaf – 1 pcs
2. Doorframe set (Pic. 1.1):
 - 2.1. Jamb – 2 pcs
 - 2.2. Head – 1 pcs
3. Door latch with a handles and strike plate – 1 set (Pic. 1.2)
4. Door hinge – 2 pcs (Pic. 1.3)
5. Casing set for two door sides:
 - 5.1. Side casing – 4 pcs
 - 5.2. Head casing – 1 pcs
6. Weather strip (seal)



Pic. 1.2



Pic. 1.3

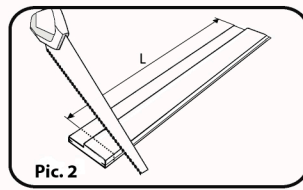
Step 2 (Pic. 2)

Cut the jambs up to the length "L".

$$L = H + 7/8" + Y$$

H – Door leaf height

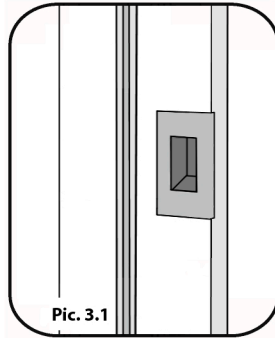
Y – Gap between the door leaf and the floor



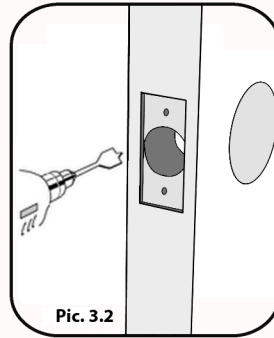
Pic. 2

Step 3 (Pic. 3.1, Pic. 3.2)

Drill and mill seats for the latch and the strike plate.



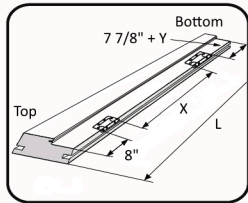
Pic. 3.1



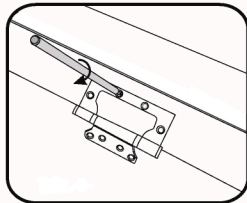
Pic. 3.2

Step 4 (Pic. 4)

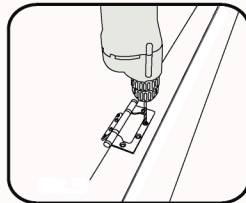
Mark the hinges (4) fastening holes on the hinge jamb (Pic. 4, Pic. 5). The top hinge should be located 8" from the jamb chamfer (measure to the top of the hinge barrel). The bottom hinge should be located 7-7/8" + Y from the bottom edge of the jamb. Drill the holes in accordance with the marking (Pic. 6).



Pic. 4



Pic. 5

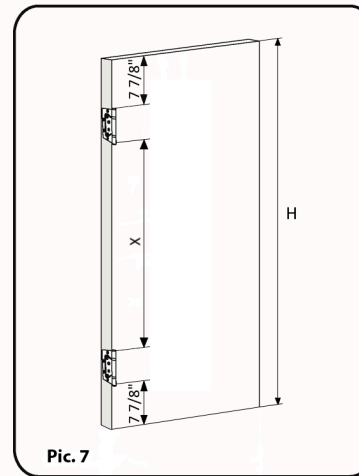


Pic. 6

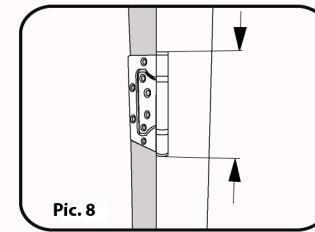
Step 5 (Pic. 7)

Mark the hinges (4) fastening holes on the door leaf (1) (Pic. 9). The top hinge should be located 7-7/8" from the top of the door leaf (measure to the top of the hinge barrel) (Pic. 8). The bottom hinge should be located 7-7/8" from the bottom of the door leaf (measure to the bottom of the hinge barrel) (Pic. 8).

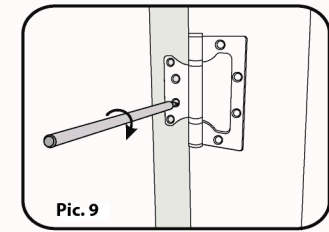
Make sure that the distance "X" between the top hinge and the bottom ones at the doorframe are equal to the same distance to the door leaf (Pic. 4, Pic. 7). Drill the holes in accordance with the marking (Pic. 10). Screw the hinges to the door leaf (Pic. 11).



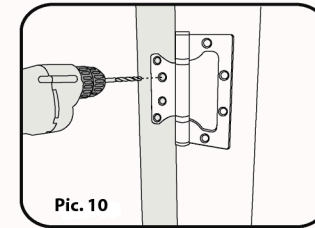
Pic. 7



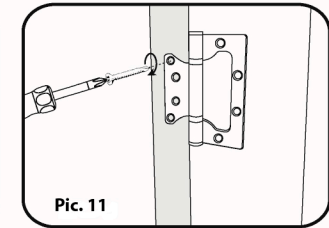
Pic. 8



Pic. 9



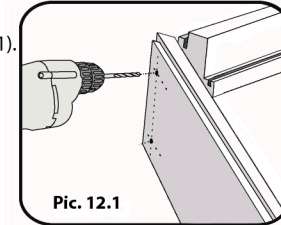
Pic. 10



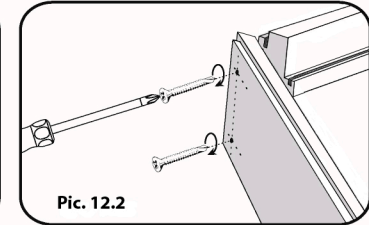
Pic. 11

Step 6

Pre-drill the holes before screwing (Pic. 12.1). Screw together the head and the jambs (Pic. 12.2). You should use at least two self-tapping screws on each side.



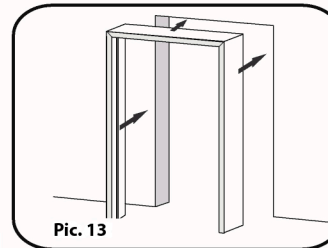
Pic. 12.1



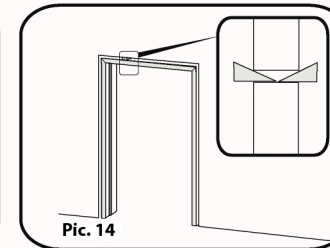
Pic. 12.2

Step 7 (Pic. 13)

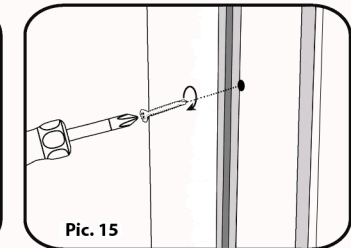
Insert assembled doorframe (2) into the opening and fasten it to the wall with at least three screws at each side (top, middle and bottom). In order to prevent the frame deflection, the gasket must be installed between the doorframe and the wall (wedges) (Pic. 14). The doorframe shall be fixed in the wall opening with the self-tapping screws in the places to be covered by the weather strip (seal) (Pic. 15).



Pic. 13



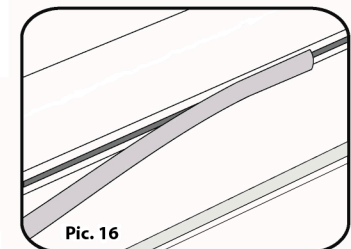
Pic. 14



Pic. 15

Step 8 (Pic. 16)

Insert the weather strip (seal) (6) into the doorframe groove (2).



Pic. 16