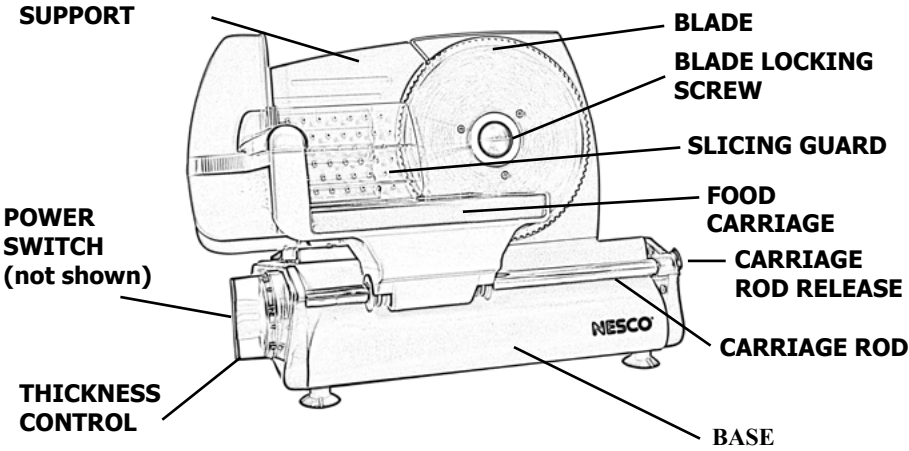


FEATURES



BEFORE FIRST USE

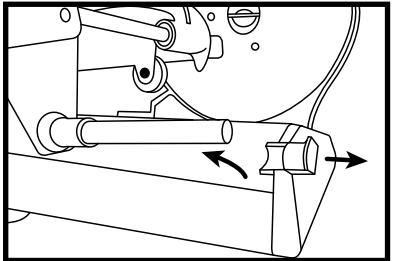
1. Read and understand all instructions and components described in this manual. Keep for future reference.
2. Remove all packaging and save for storage.
3. Remove and wash the Blade, Food Carriage and Slicing Guard in warm soapy water. (follow Care and Cleaning Instructions).
4. Wipe the Base with a damp cloth. DO NOT IMMERSE THE BASE IN WATER OR ANY OTHER LIQUID! (follow Care and Cleaning Instructions).

OPERATION

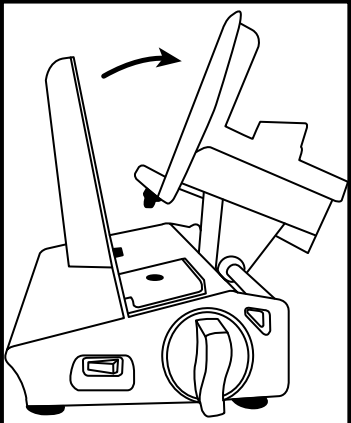
1. Place appliance on a flat, dry and stable surface.
2. Be sure power switch is 'OFF', then plug into a standard 120V AC electrical outlet.
3. Place a suitable tray or plate behind slicer to collect the sliced food.
4. Place food onto food carriage between support plate and slicing guard. To avoid danger of injury, always use food carriage and slicing guard while cutting.
5. Adjust the slice thickness by turning the thickness control to desired thickness between 0 and 12 (Deli thin to 9/16").
6. Slide food carriage back so food is clear of blade. Press power switch to start the slicer. Keep left hand clear, place near the power switch, and grasp the slicing guard with the other hand.
7. To begin slicing, push food in towards support plate while holding the slicing guard and slide food into blade. Slide food carriage back and repeat until you have sliced the desired amount of food.
8. When finished, press power switch to turn OFF unit. Note: Blade will continue to move for a short time. **Always keep hands away from blade!** Remove plug from electrical outlet before cleaning.
9. For safety, always return thickness control to 'P' after use to shield sharp edge of blade during storage.

CARE AND CLEANING INSTRUCTIONS

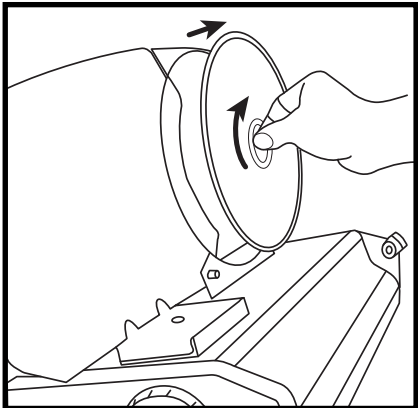
1. **Always unplug the appliance from electrical outlet before cleaning.**
2. Never immerse the base of this appliance in water or other liquid.
3. The blade, slicing guard and food carriage can all be removed and hand washed in warm soapy water. Be careful when cleaning the blade, as it is extremely sharp. Do not leave blade under water; trying to handle sharp objects in water can be hazardous.
4. Set thickness control to "P". This will keep the blade edge covered by support plate.
5. For ease of cleaning, the food carriage can be tilted up or completely removed.
6. Remove blade by holding the blade with one hand and using two fingers to pinch and turn blade locking screw. Unlock blade by turning screw clockwise. Carefully remove blade and hold by using the blade locking screw.
7. Clean outer surfaces with a damp cloth. Mild detergent or plain water can be used to dampen cloth. Never immerse base in water or any other liquid. Do not use steel wool, abrasive cleaners or sharp utensils to clean any part of this appliance.
8. After cleaning and drying, install blade to base in reverse order of Step 6. Carefully place blade on mating hub of motor. Align the locking screw tabs with the mating slots in the hub of motor and press in until seated. Rotate locking screw counter-clockwise until seated to lock blade in place.



CARRIAGE REMOVAL



CARRIAGE TILT



BLADE REMOVAL