



Stand Key Features

- ADA compliant
- Seamless integration with Bradley's touchless 6A Series (liquid & foam) Diplomat Soap/Sanitizer Dispensers
- Universal mounting plate compatible with soap/sanitizer units by others**
- Angled drip tray to eliminate excess dripping on the floor
- Rubber feet on the base of the unit to prevent scratching and sliding
- Refined, rounded-corner design to provide a safer experience
- No visible fasteners on front of the unit when assembly is complete
- Type 304 stainless steel
- Easy installation, minimal assembly required

Specification

Mounting plate is compatible with Bradley's 6A00-11, 6A01-11, and 6A02-11 Diplomat Series Soap/Sanitizer dispensers. Designed with rounded edges. Matches form and finish of related accessories. Unit is free standing and can be easily moved throughout a facility while maintaining an upright and stable position. Unit is composed of type 304 stainless steel. Designed to include a non-sharp, angled drip tray with curved edges. Dispenser is supplied separately. Once assembled, the dispensing height will meet ADA standards for max mounting height.

Overall Dimensions

- Height: 56½" (1,436 mm)
- Width: 15¼" (387 mm)
- Depth: 15¼" (387 mm)

Operation

Hand sanitizer dispenser stand is free standing allowing for ease of mobility and custom placement throughout any facility. Dispenser is secured to the stand mounting plate using the supplied hardware. When used with Bradley's 6A Series Soap/Sanitizer dispensers, stand will help provide a hands-free experience wherever sanitizing is needed.

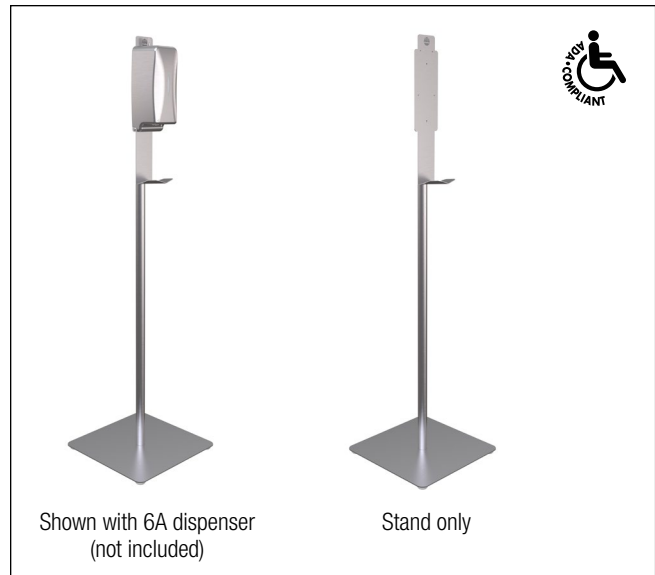
Mounting

Secure mounting hardware (included) for mounting of Bradley 6A series dispensers (sold separately). For dispensers by others (sold separately), hardware/mounting tape is not included.

* Field drilling of holes, alternate hardware, and/or mounting tape may be necessary (not included)

† Proper operation of a dispenser from others cannot be guaranteed when used with this stand. Refer to the dispenser technical information to ensure proper function can be achieved.

Verify all rough-in dimensions prior to installation.
Consult local and national codes. Conformity and compliance to local and national codes is the responsibility of the installer.



Model

6A20-110000 Hand Sanitizer/Soap Dispenser Stand

Finishes



Brushed Stainless

Product Compliance



ADA / ICC ANSI A117.1, Citation 309.3

Compatible Bradley Products

Product Page

- [6A00-110000 Liquid Soap/Sanitizer Dispenser](#)
- [6A01-110000 Foam Soap/Sanitizer Dispenser](#)
- [6A02-110000 Liquid Sanitizer Dispenser](#)

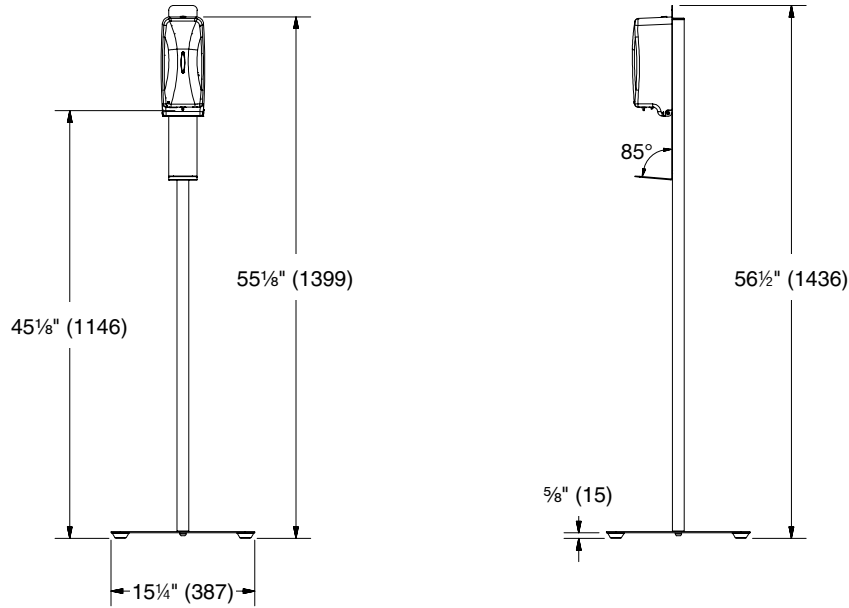
Technical Data

- [6A00-110000 Liquid Soap/Sanitizer Dispenser](#)
- [6A01-110000 Foam Soap/Sanitizer Dispenser](#)
- [6A02-110000 Liquid Sanitizer Dispenser](#)

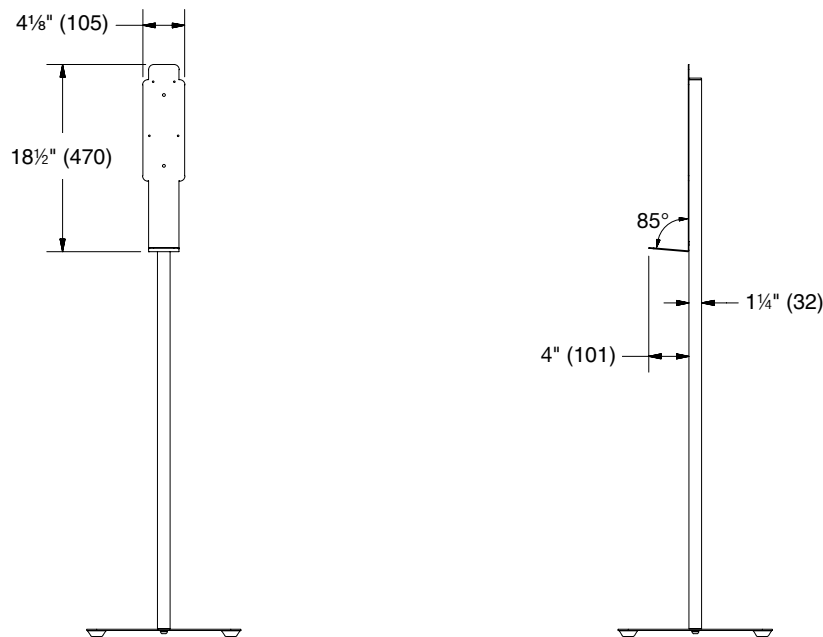


Dimensions – With Dispenser

(mm)



Dimensions – Without Dispenser



Verify all rough-in dimensions prior to installation.
Consult local and national codes. Conformity and compliance to
local and national codes is the responsibility of the installer.