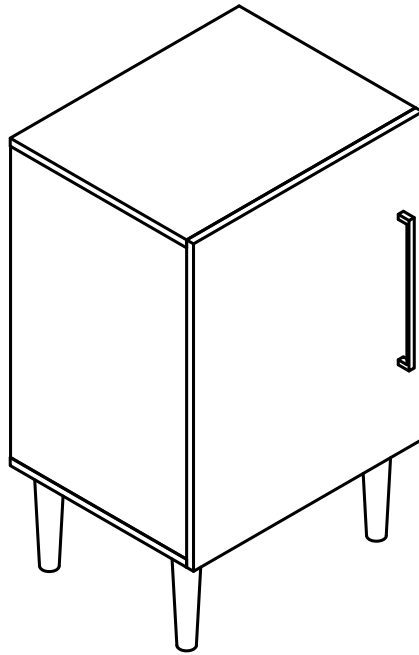
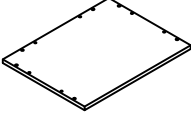
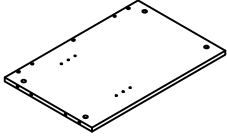
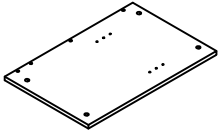
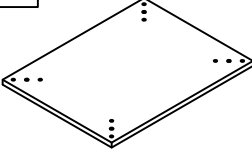
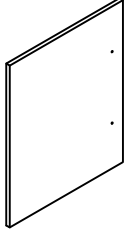
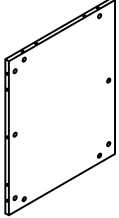
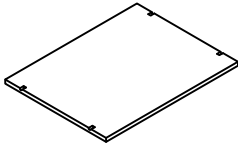
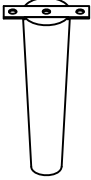





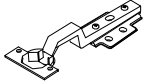
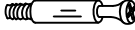


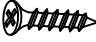





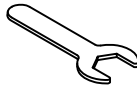
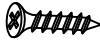



Record Player Stand
CF1104



PART LIST

<p>A</p> 	<p>B</p> 	<p>C</p> 	<p>D</p> 	<p>E</p> 
<p>Top Panel 1 PC</p>	<p>Left Side Panel 1 PC</p>	<p>Right Side Panel 1 PC</p>	<p>Bottom Panel 1 PC</p>	<p>Door Panel 1 PC</p>
<p>F</p> 	<p>G</p> 	<p>H</p> 		
<p>Back Panel 1 PC</p>	<p>Adjustable Shelf 1 PC</p>	<p>Leg 4 PCS</p>		

HARDWARE LIST

<p>#1</p>  <p>M6*13</p>	<p>#2</p>  <p>Ø35</p>	<p>#3</p>  <p>Ø7*35</p>	<p>#4</p>  <p>Ø15*12</p>	<p>#5</p>  <p>Ø8*30</p>
<p>Allen Bolt 8 PCS</p>	<p>Door Hinge 2 PCS</p>	<p>Cam Bolt 20 PCS (Extra 2)</p>	<p>Cam Lock 20 PCS (Extra 2)</p>	<p>Wood Dowel 18 PCS (Extra 2)</p>
<p>#6</p>  <p>D7*Ø3.5*12</p>	<p>#7</p> 	<p>#8</p>  <p>Ø9*5/32"*1"</p>	<p>#9</p>  <p>Ø8*5*16</p>	<p>#10</p> 
<p>Long Screw 14 PCS (Extra 2)</p>	<p>Handle 1 PC</p>	<p>Round Head Bolt 2 PCS</p>	<p>Shelf Holder 4 PCS</p>	<p>Magnet 1 PC</p>
<p>#11</p>  <p>M4</p>	<p>#12</p> 	<p>#13</p>  <p>D6*Ø3*12</p>	<p>#14</p> 	<p>#15</p> 
<p>Allen Wrench 1 PC</p>	<p>Wrench 1 PC</p>	<p>Screw 4 PCS (Extra 2)</p>	<p>Metal Wire 4 PCS</p>	<p>Hex Nut 8 PCS</p>
<p>#16</p>  <p>Safety Strap Kit 1 PC</p>				

ADDITIONAL TOOLS (Not Provided)

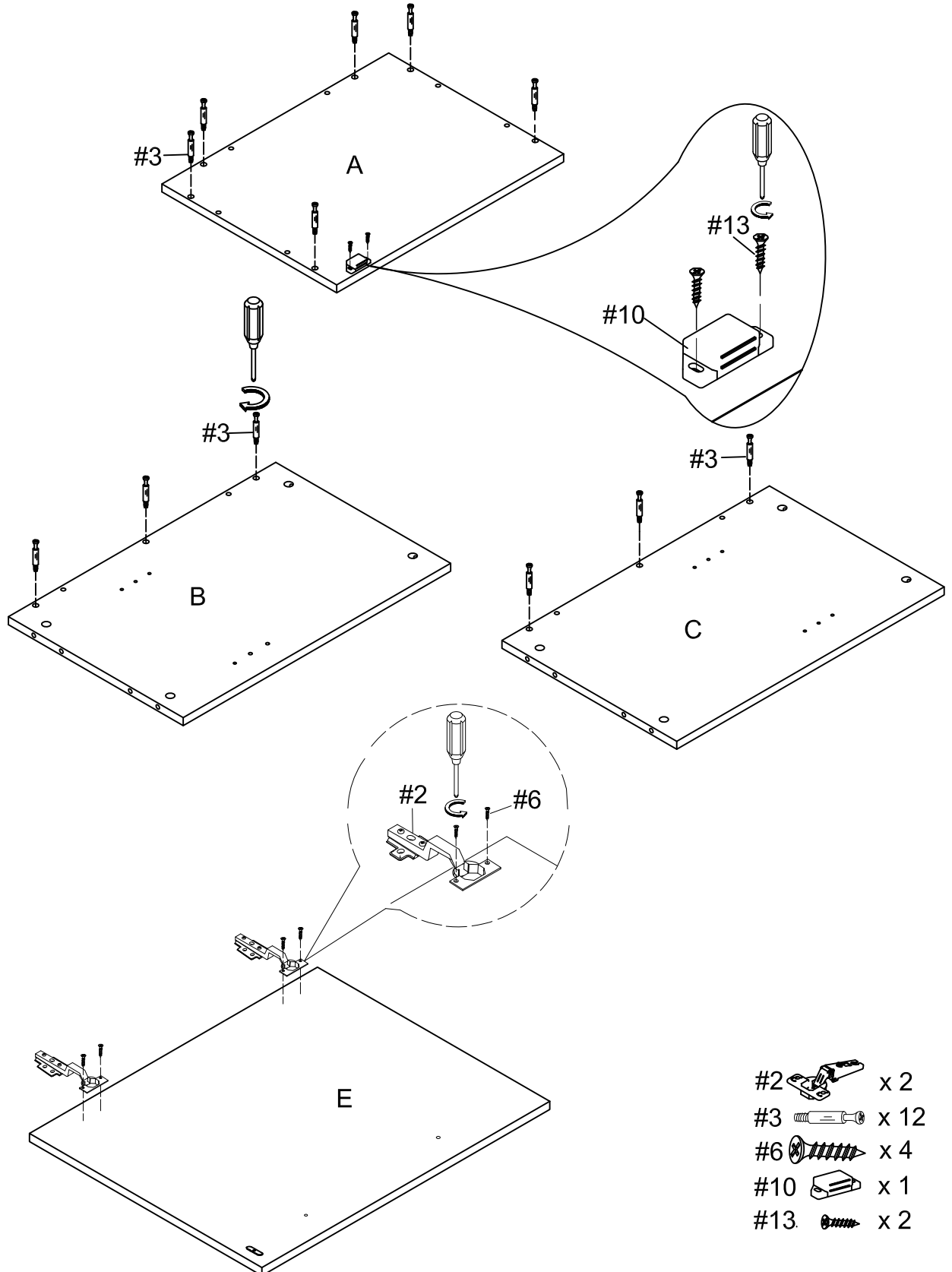
Note: It is not recommended to use power tools during assembly.



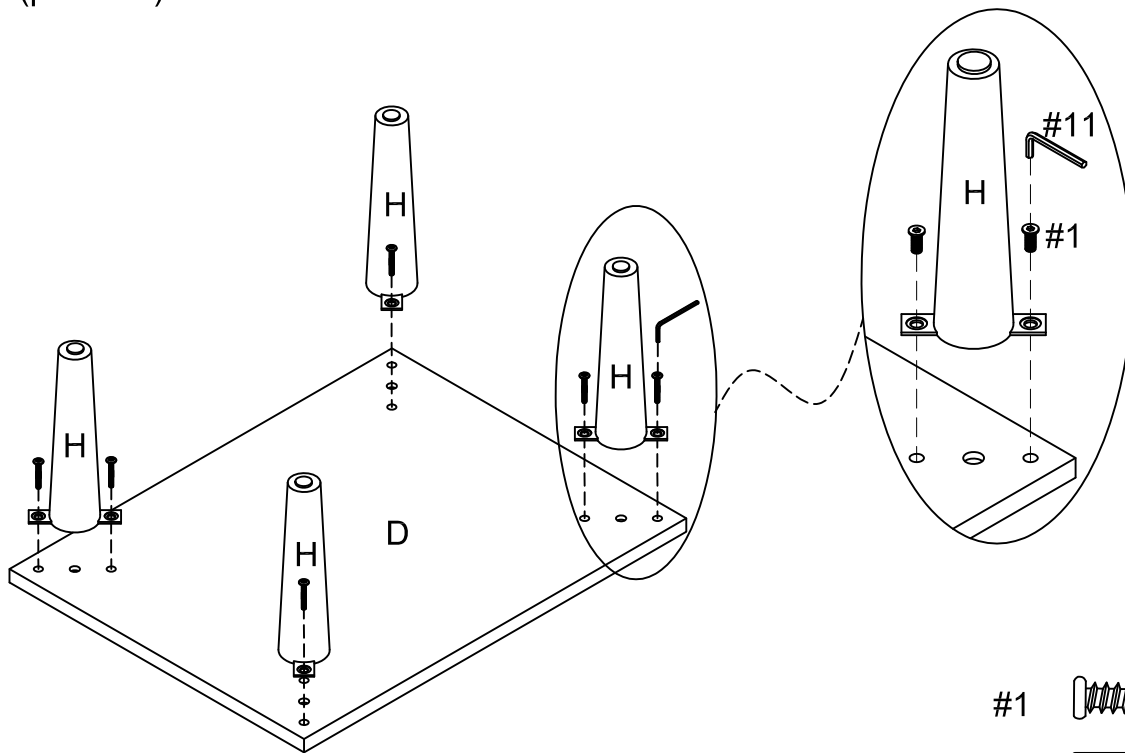
Phillips Head Screwdriver


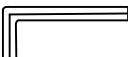
Step 1. Attach magnet (part #10) to top panel (part A) using screws (part #13) and phillips head screwdriver. Insert cam bolts (part #3) into pre-drilled holes of top panel (part A), left side panel (part B) and right side panel (part C) using phillips head screwdriver. Attach door hinges (part #2) to door panel (part E) using long screws (part #6) and phillips head screwdriver.

NOTE: Do not overtighten cam bolts. Stop tightening once threads on cam bolt are no longer visible.



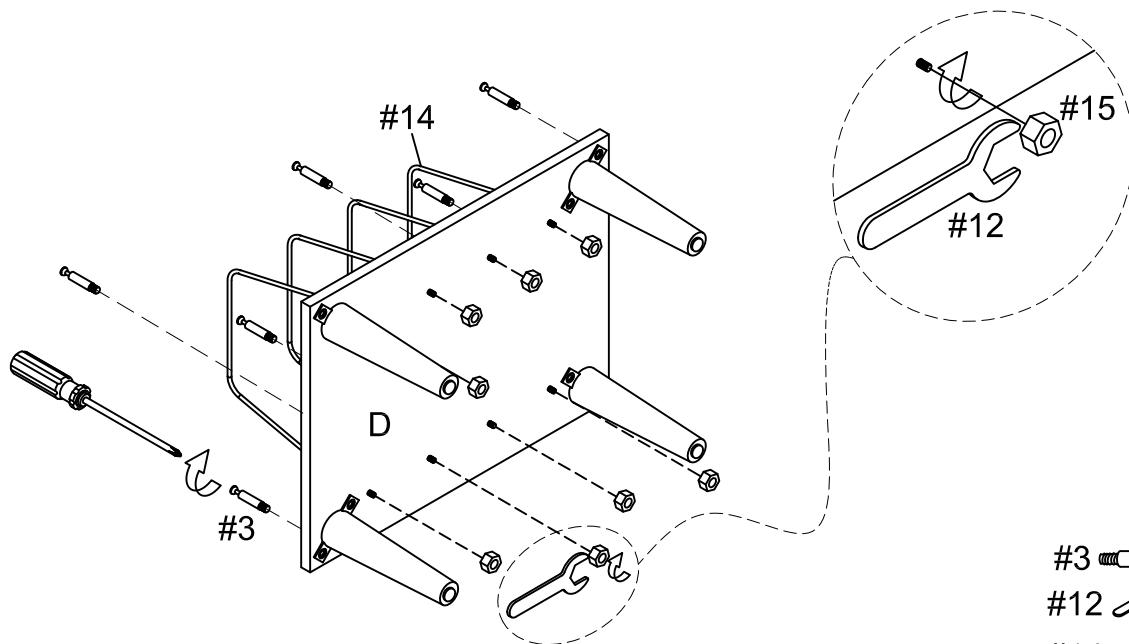
Step 2. Attach legs (part H) to bottom panel (part D) using allen bolts (part #1) and allen wrench (part #11).

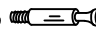





- #1  x 8
- #11  x 1

Step 3. Attach metal wires (part #14) to bottom panel (part D) using hex nuts (part #15) and wrench (part #12). Insert cam bolts (part #3) into the pre-drilled holes of bottom panel (part D) using phillips head screwdriver.

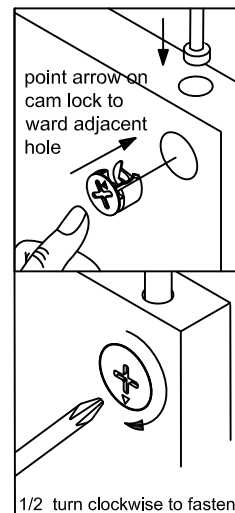
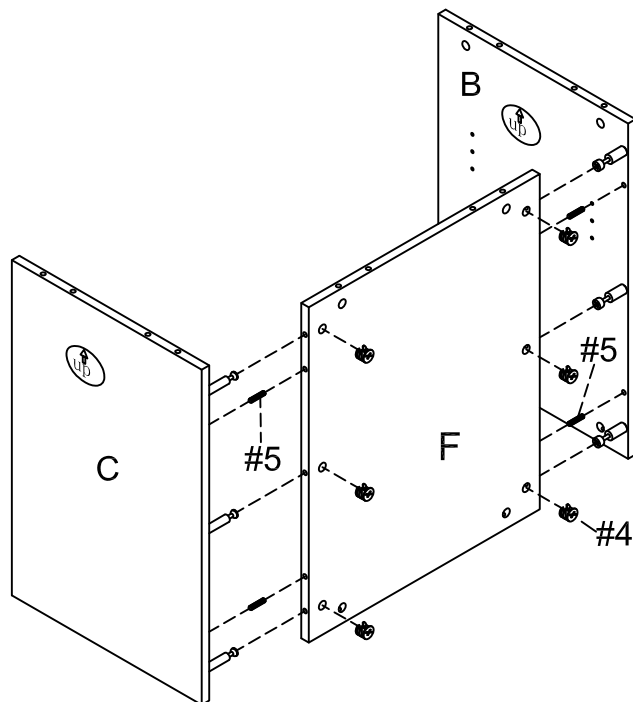
NOTE: Do not overtighten cam bolts. Stop tightening once threads on cam bolt are no longer visible.



- #3  x 6
- #12  x 1
- #14  x 4
- #15  x 8

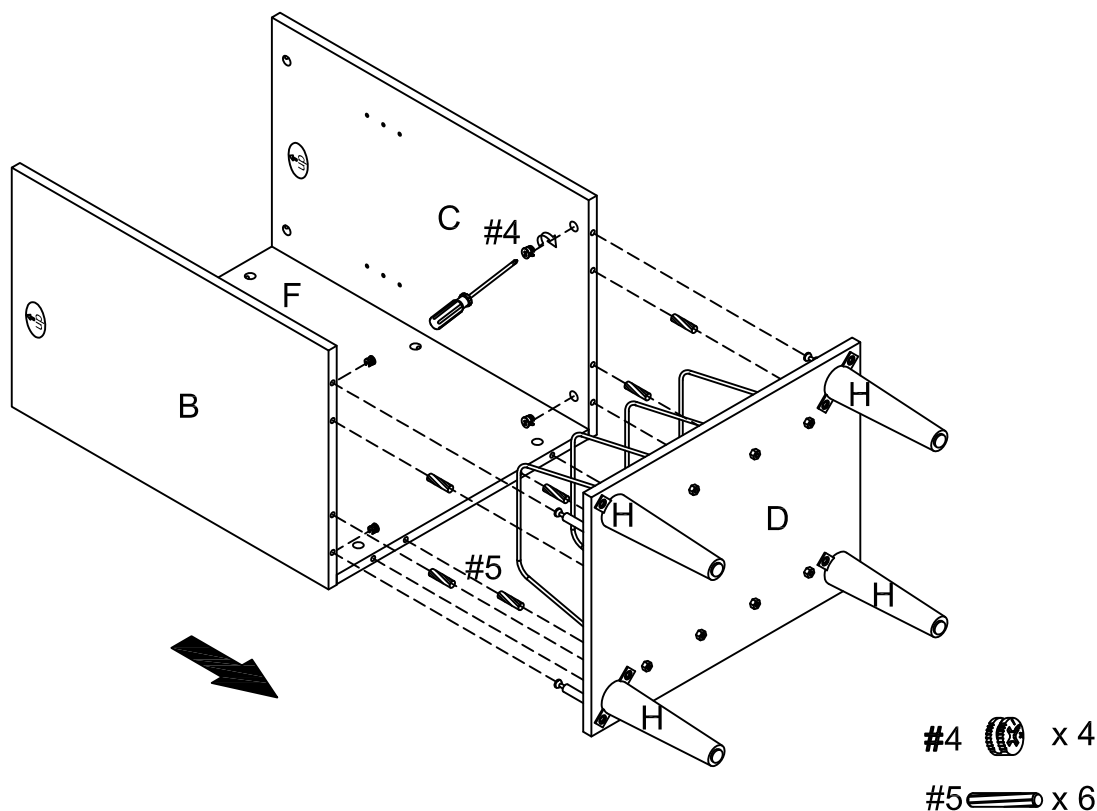
Step 4. Attach back panel (part F) to left side panel (part B) and right side panel (part C) using cam locks (part #4), wood dowels (part #5) and phillips head screwdriver.

NOTE: Cam locks must rotate full 180°. See pictured insert.



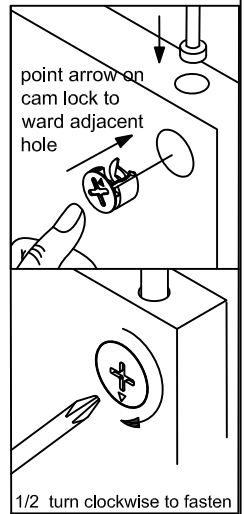
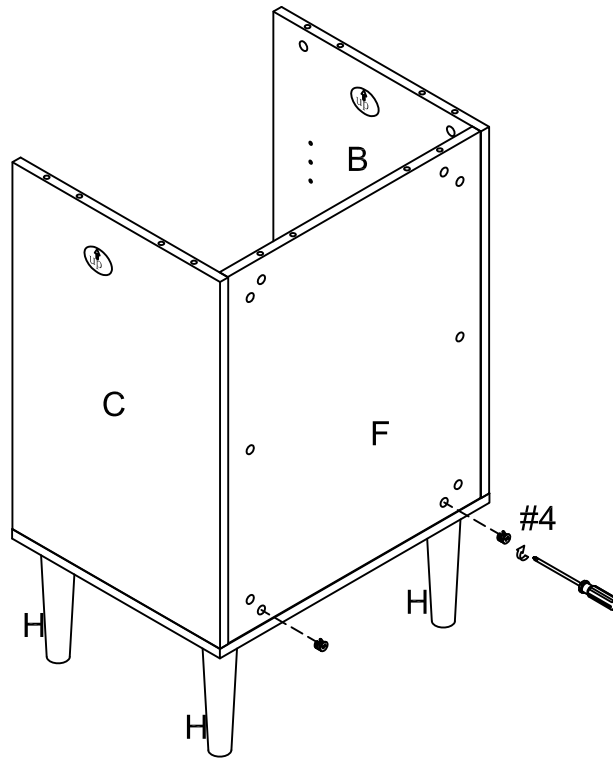
Step 5. Attach bottom panel (part D) to left side panel (part B), right side panel (part C) and back panel (part F) using wood dowels (part #5), cam locks (part #4) and phillips head screwdriver.

NOTE: Cam locks must rotate full 180°. See pictured insert.



Step 6. Carefully turn unit upright. Insert cam locks (part #4) into the pre-drilled holes on the bottom of back panel (part F) and lock using phillips head screwdriver.

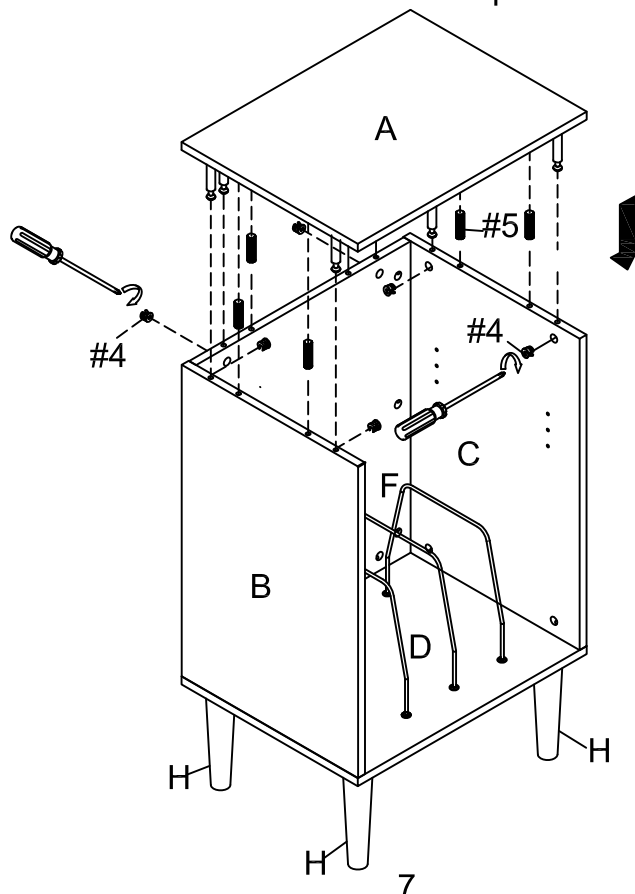
NOTE: Cam locks must rotate full 180°. See pictured insert.



#4  x 2

Step 7. Attach top panel (part A) to left side panel (part B), right side panel (part C) and back panel (part F) using wood dowels (part #5), cam locks (part #4) and phillips head screwdriver.

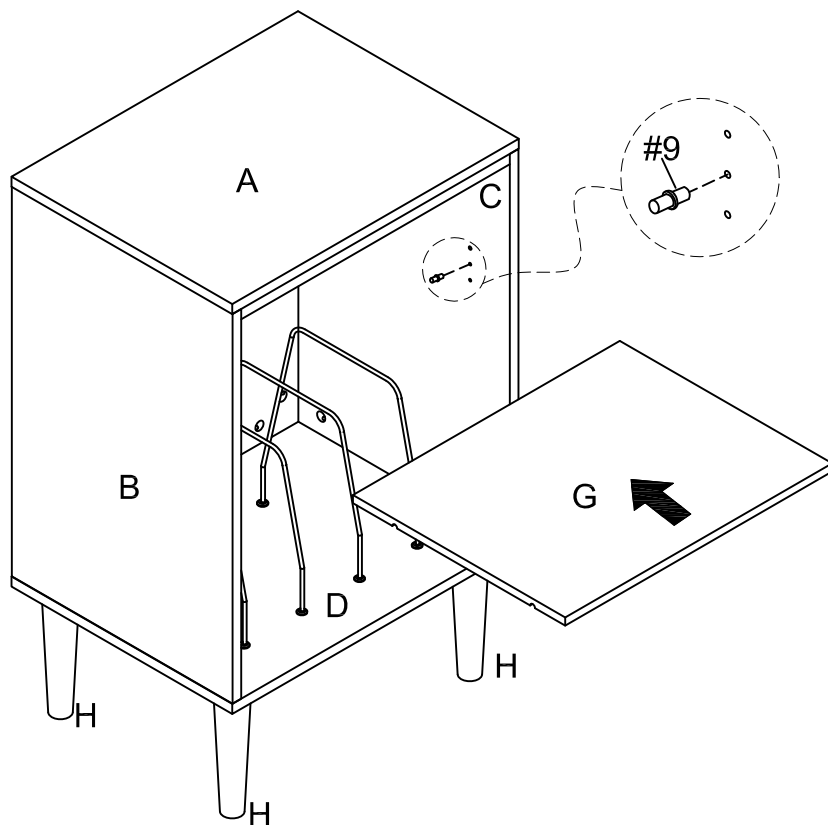
NOTE: Cam locks must rotate full 180°. See pictured insert.




#4  x 6

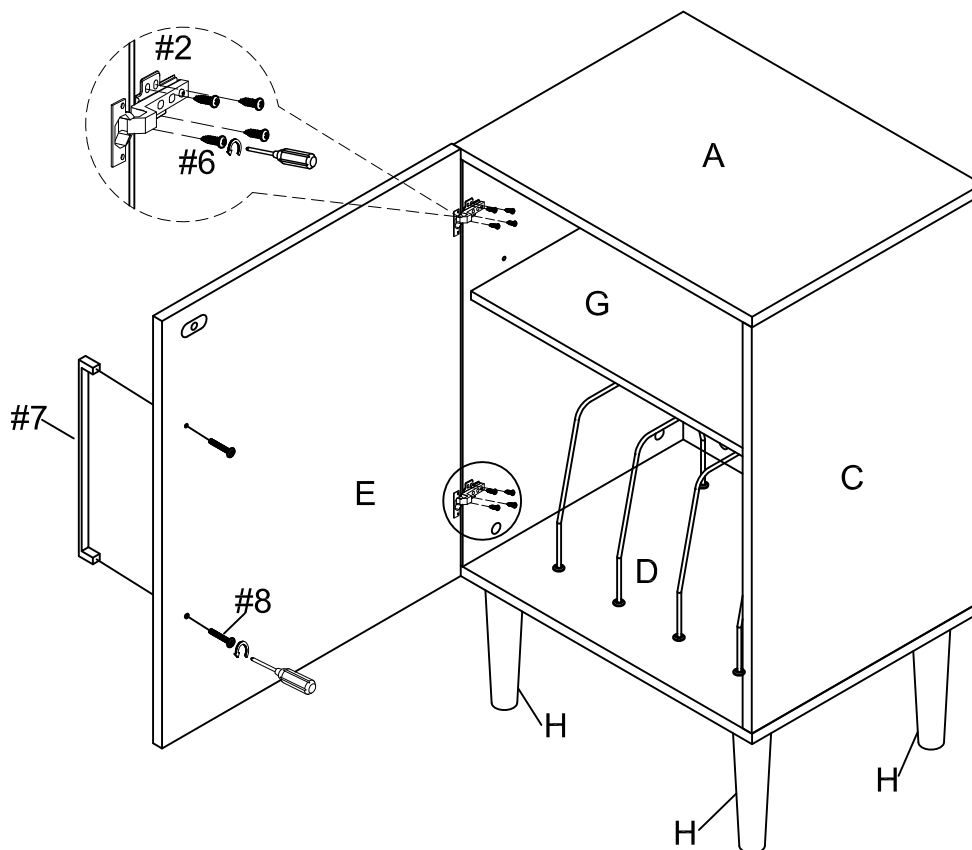
#5  x 6




Step 8. Insert shelf holders (part #9) into desired position and slide adjustable shelf (part G) into place.

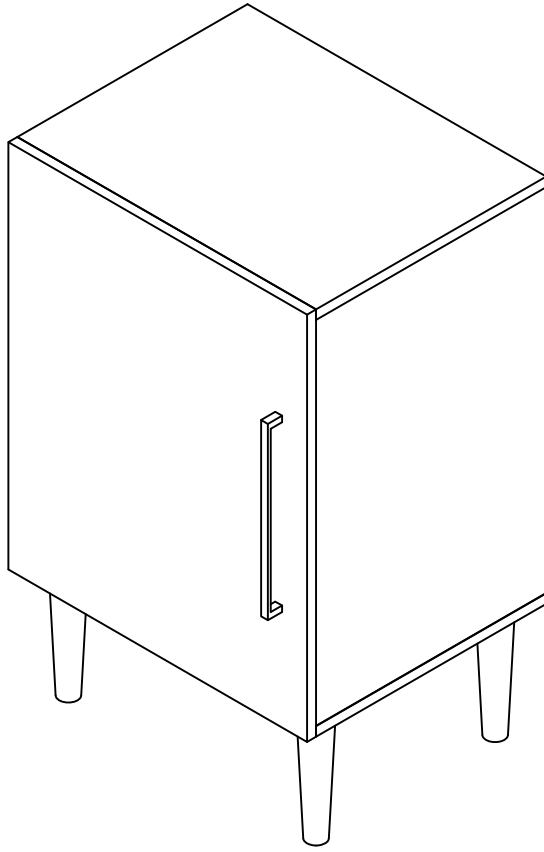



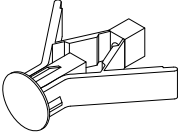


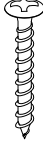
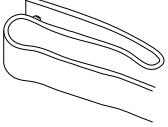
#9  x 4

Step 9. Attach door panel (part E) to left side panel (part B) using long screws (part #6) and phillips head screwdriver at door hinge (part #2). Then attach handle (part #7) to door panel (part E) using round head bolts (part #8) and phillips head screwdriver.



#6  x 8
 #7  x 1
 #8  x 2



#16	A	B	C	D	E
			 D8 x 3/4"	 D8 x 1-1/2"	
Safety Strap Kit 1 PC	Wall Anchor 1 PC	Washer 2 PCS	Short Screw 1 PC	Long Screw 1 PC	Safety Wall Strap 1 PC

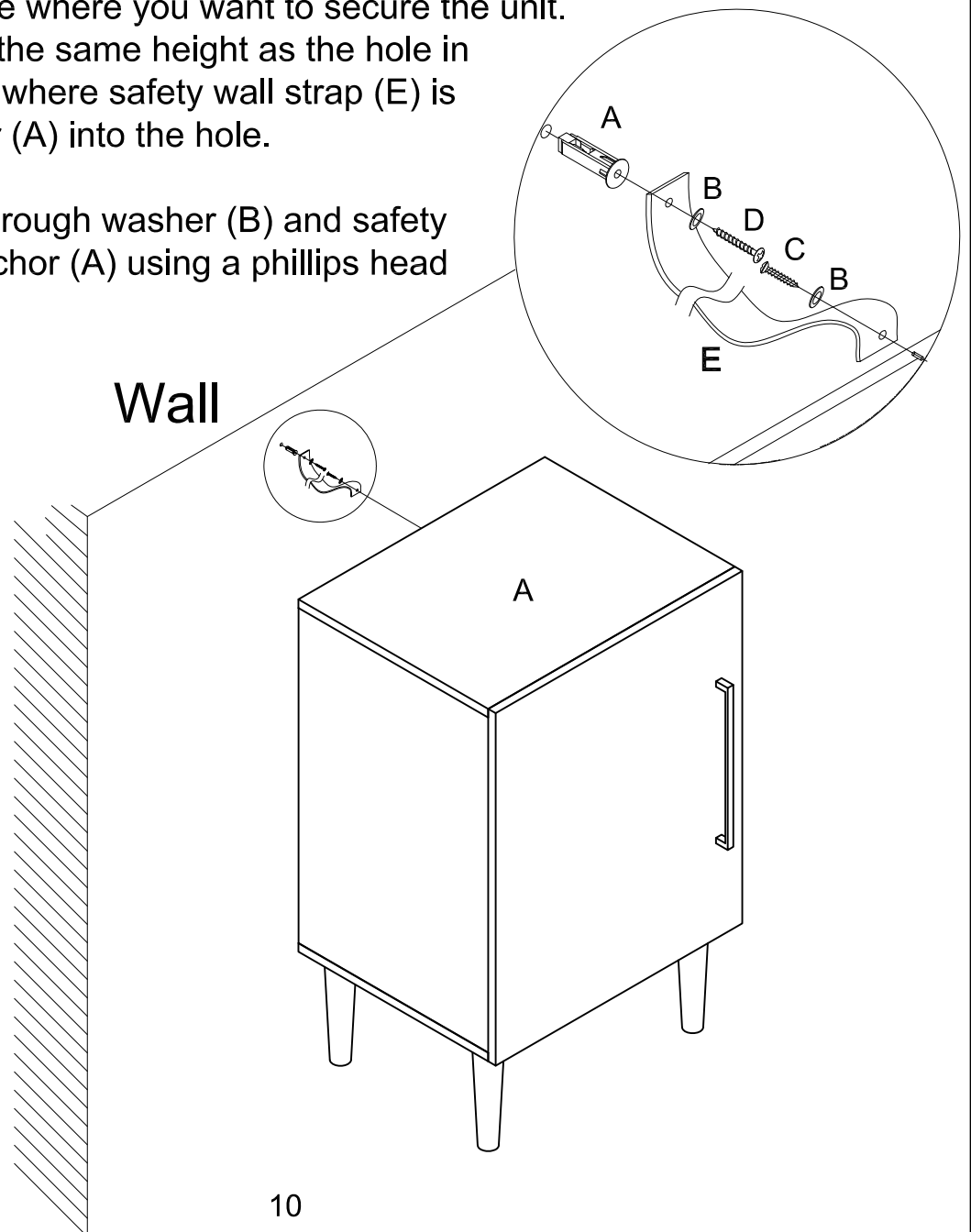
SAFETY WALL STRAP INSTALLATION

Note: It is highly recommended to install this safety strap kit to prevent tipping, damage and/or injury.

1. Insert short screw (C) through washer (B) and safety wall strap (E) and attach to back of top panel (part A) using phillips head screwdriver.

2. Drill a 1 1/32"(6mm) hole where you want to secure the unit. The drilled hole will be at the same height as the hole in back of top panel (part A) where safety wall strap (E) is attached. Tap wall anchor (A) into the hole.

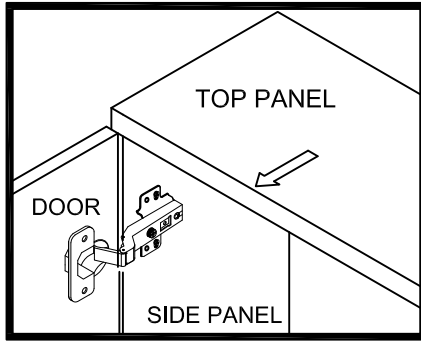
3. Insert long screw (D) through washer (B) and safety wall strap (E) into wall anchor (A) using a phillips head screwdriver.



ADJUST YOUR DOORS TO MAKE THE GAPS MORE EVEN (OPTIONAL).

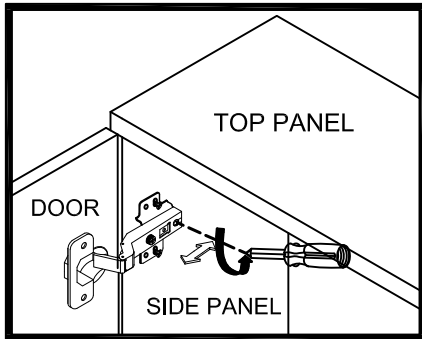
STEP 1

Open the door



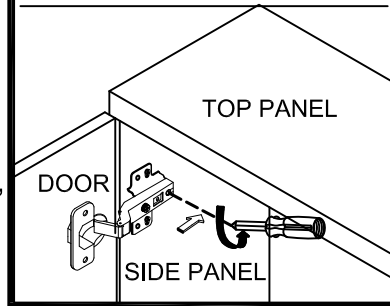
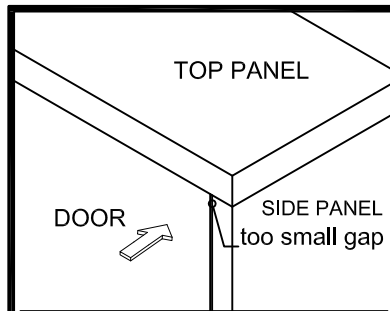
STEP 2

Adjust the gap between door panel and side panel



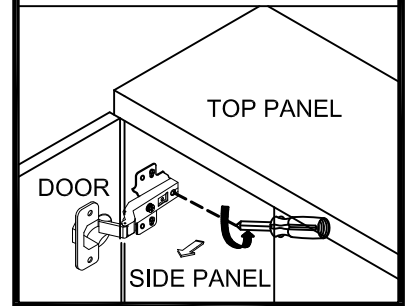
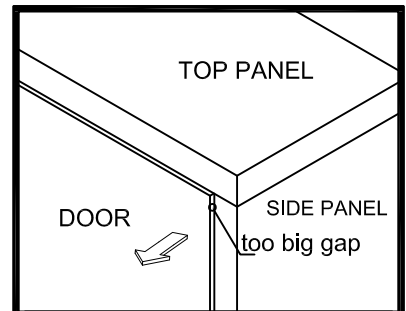
Loosen the screw indicated a little, adjust the hinge to right position (see step 2a & 2b), then tighten the screw.

STEP 2a MOVE DOOR IN



Push the hinge back a little.

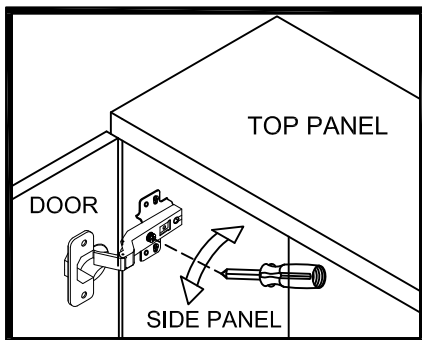
STEP 2b MOVE DOOR OUT



Pull the hinge forward a little.

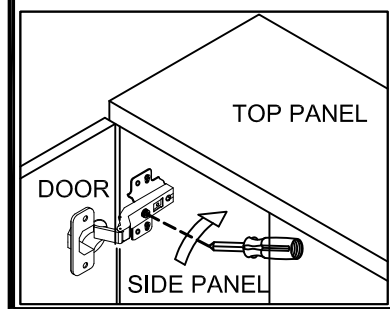
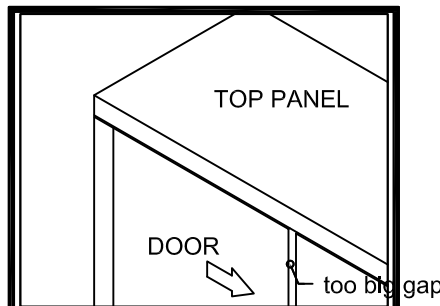
STEP 3

To adjust the gap between two door



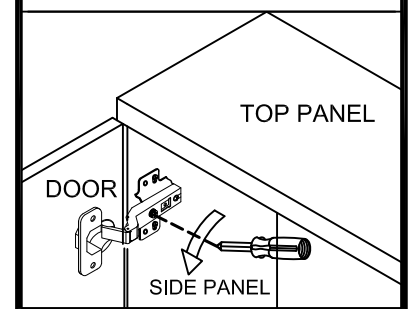
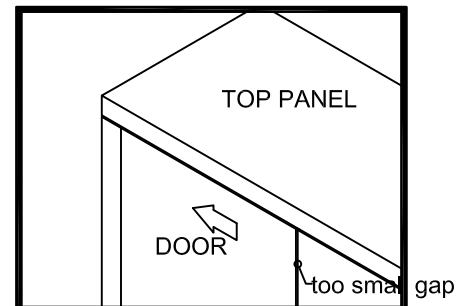
Loosen or tighten the screw indicated a little to adjust the gap between doors panels (see step 3a & step 3b)

STEP 3a MOVE DOOR RIGHT



Turn the screw clockwise a little as shown to make the gap small.

STEP 3b MOVE DOOR LEFT



Turn the screw counterclockwise a little as shown to make the gap big.