



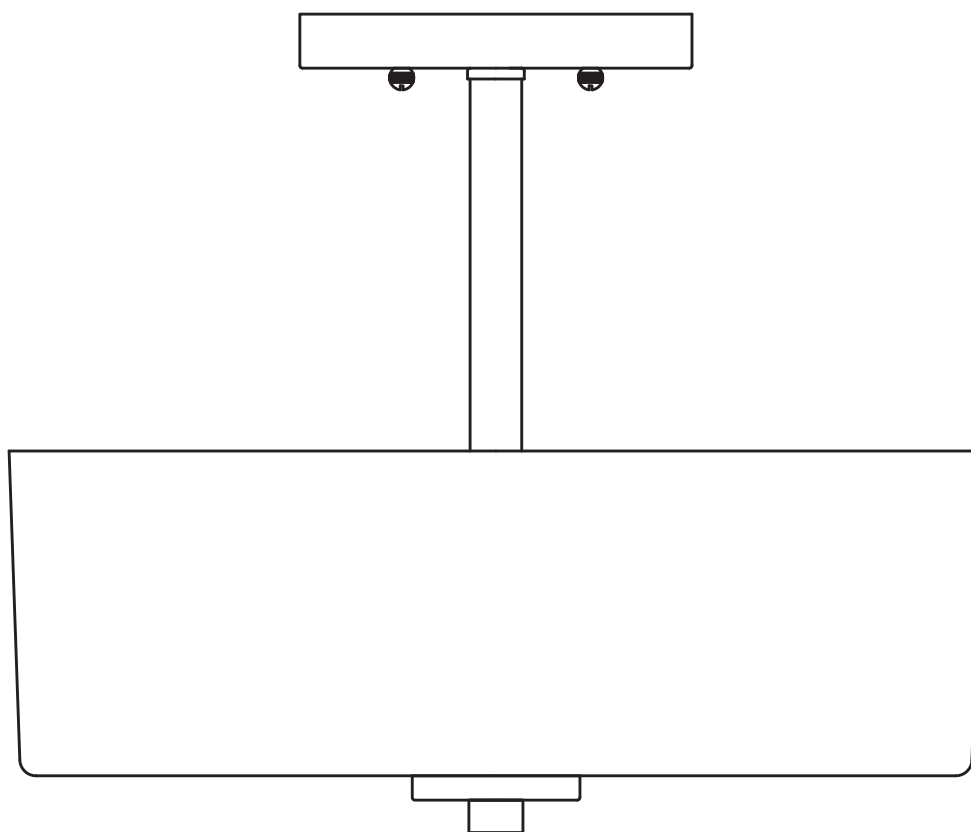
Item #000-000

Model #89543

## USE AND CARE GUIDE

---

### 3-LIGHT SEMI-FLUSH CEILING FIXTURE



**Questions, problems, missing parts? Before returning to the store,  
call Hampton Bay Customer Service  
8 a.m. - 6 p.m., EST, Monday - Friday**

**1-877-527-0313**

**HAMPTONBAY.COM**

---

#### **THANK YOU**

*We appreciate the trust and confidence you have placed in Hampton Bay through the purchase of this fixture. We strive to continually create quality products designed to enhance your home. Visit us online to see our full line of products available for your home improvement needs. Thank you for choosing Hampton Bay!*

# Table of Contents

Table of Contents .....	2	Installation .....	5
Safety Information .....	2	Care and Cleaning .....	8
Warranty .....	2	Troubleshooting .....	8
Pre-Installation .....	3	Service Parts .....	9

# Safety Information

1. Read and understand all instructions and illustrations completely before proceeding with assembly and installation of this fixture.
2. Never attempt any work without shutting off the electricity.
3. Go to the main fuse box, or circuit breaker, in your home. Place the main power switch in the "OFF" position and unscrew the fuse(s), or switch off the circuit breaker switch(es), that control the power to the fixture or room that you are working on.
4. Place the wall switch in the "OFF" position. If the fixture to be replaced has a switch or pull chain, place it in the "OFF" position.
5. If you have any doubts about how to install this lighting fixture, or if the fixture fails to operate completely, please contact a licensed electrical contractor.
6. All parts must be used as indicated in these instructions. Do not substitute any parts, leave parts out, or use any parts that are worn-out or broken. Failure to obey this instruction could invalidate the ETL listing and/or C.S.A. certification of this fixture.



**DANGER:** Hazardous voltages cause severe injury or death. Disconnect all sources of power before servicing.



**WARNING:** Hazardous voltage! Disconnect power before servicing.



**CAUTION:** Do not use bulbs that exceed the recommended wattage specified on the fixture.

# Warranty

## 1-YEAR LIMITED WARRANTY

The manufacturer warrants that this product will be free from defects in material and workmanship for one (1) year following the date of shipment. If any of the warranted products are found by the manufacturer to be defective, such products will, at the manufacturer's option, be replaced or repaired at manufacturer's cost. The parties hereto expressly agree that the buyer's sole and exclusive remedy against the manufacturer shall be for the repair or replacement of defective products as provided herein, or, at the manufacturer's sole option, the manufacturer may refund the purchase price of the products. The foregoing warranty is in lieu of all other warranties, expressed or implied, including those of merchantability, fitness for any particular purpose, or infringement. No affirmation of the manufacturer, by words or action, other than set forth in this paragraph shall constitute a warranty. Goods which may be sold by the manufacturer, but which are not manufactured by the manufacturer, are not warranted by the manufacturer, but are sold only with the warranties, if any, of the manufacturer thereof.

This warranty does not cover bulbs or finish on outdoor product. In addition, it does not cover labor or other costs or expenses to remove or install any defective, repaired, or replaced product. The manufacturer's warranty does not apply to any products that have been subjected to misuse, mishandling, misapplication, neglect (including, but not limited to improper maintenance), accident, improper installation, modification (including, but not limited to use of unauthorized parts or attachments), adjustment, or repair.

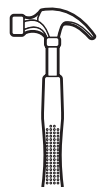
# Pre-Installation

Please read and understand this entire manual before attempting to assemble, operate, or install the product.



**NOTE:** Before beginning assembly of this product, make sure all parts are present. If any part is missing or damaged, do not attempt to assemble the product.

## TOOLS REQUIRED



Claw hammer



Safety goggles



Phillips screwdriver



Pliers



Wire strippers



Electrical tape



Ladder

## HARDWARE INCLUDED



**NOTE:** Hardware not shown to actual size



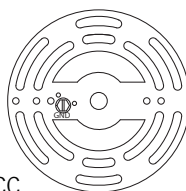
AA



BB



CC



DD



EE



FF

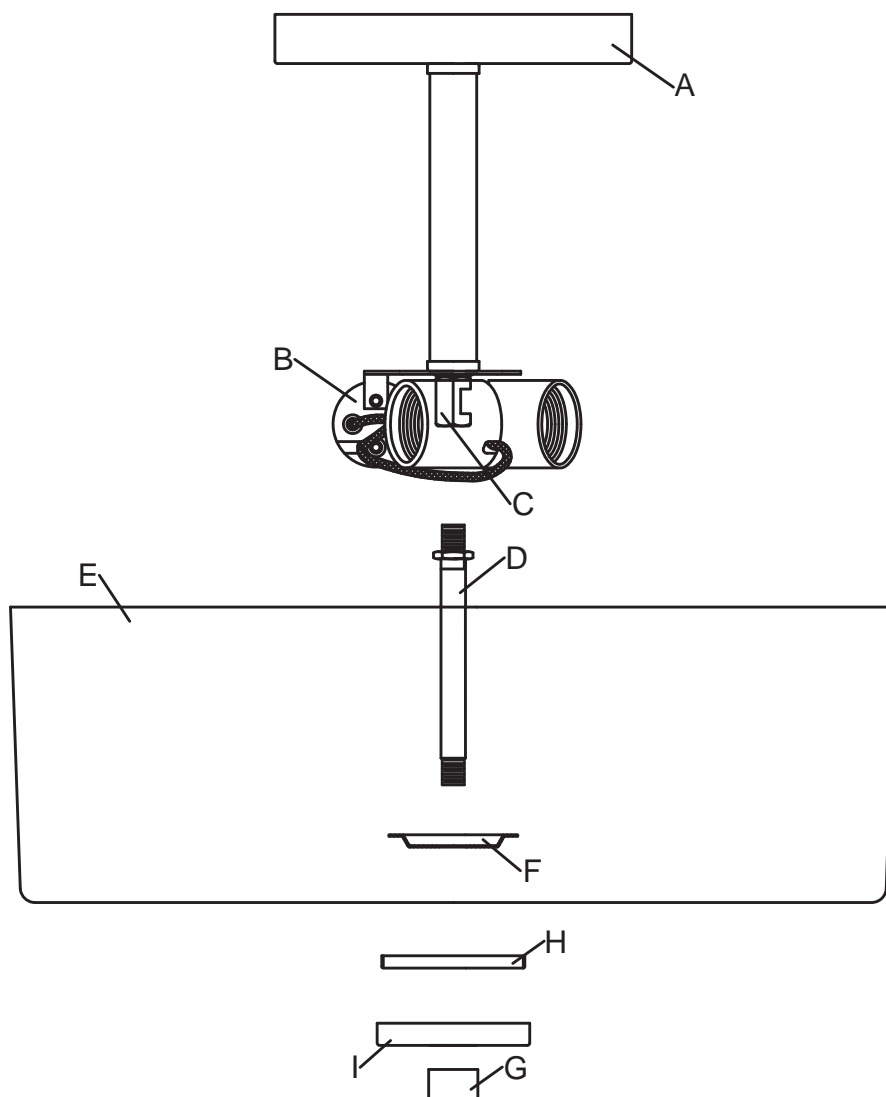


GG

Part	Description	Quantity
AA	Wire Connector	3
BB	Short Machine Screw	2
CC	Threaded Knob	2
DD	Mounting Bracket	1
EE	Long Machine Screw	2
FF	Washer	2
GG	Hex Nut	2

# Pre-Installation (continued)

## PACKAGE CONTENTS

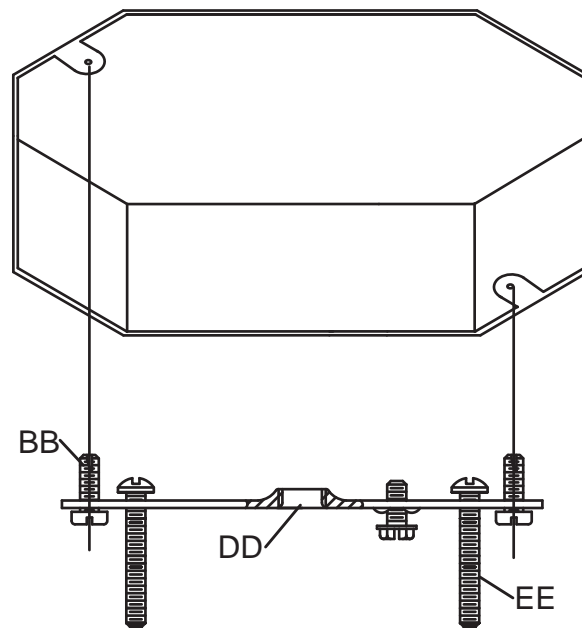


Part	Description	Quantity
A	Canopy	1
B	Socket Assembly	1
C	Coupling	1
D	Threaded Pipe	1
E	Shade	1
F	Glass Support	1
G	Finial	1
H	Inner Cap	1
I	Decorative Cap	1

# Installation

## 1 Installing the mounting bracket

- Insert long machine screws (EE) into the mounting bracket (DD).
- Connect the mounting bracket (DD) to the outlet box with short machine screws (BB).
- Orient the mounting bracket (DD) so the raised center portion protrudes into the outlet box.



## 2 Making the electrical connections

**! DANGER:** Hazardous voltages cause severe injury or death. Disconnect all sources of power before servicing.

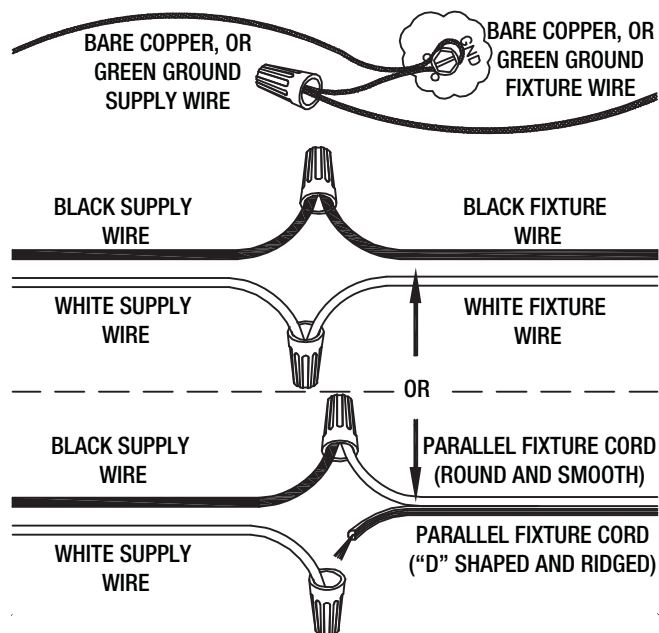
- Make the wiring connections using the wire connectors (AA) according to the diagram.
- Wrap the ground wire from the outlet box around the ground screw on the mounting bracket (DD) no less than 2 in. from the end of the wire.
- If the fixture is supplied with a ground wire, connect it to the outlet ground wire with a wire connector (AA).



**NOTE:** For installation in Canada, if the fixture is supplied with a ground wire, wrap it around the ground screw on the mounting bracket (DD), and tighten the ground screw.



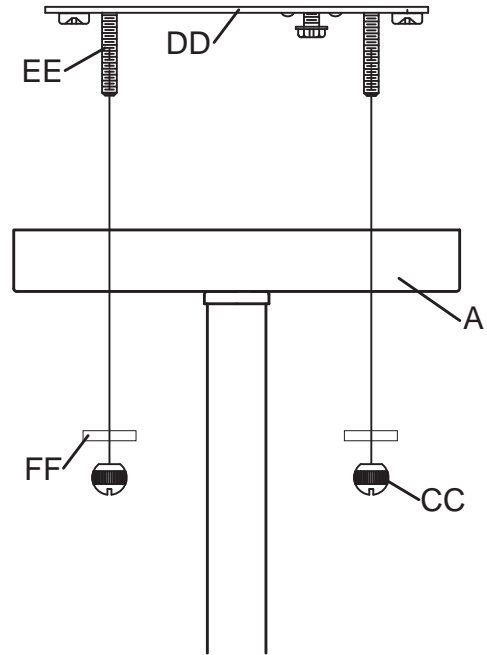
**NOTE:** When parallel wire (SPT I & SPT II) is used, the neutral wire is square shaped and ridged and the hot wire will be round in shape and smooth.



# Installation

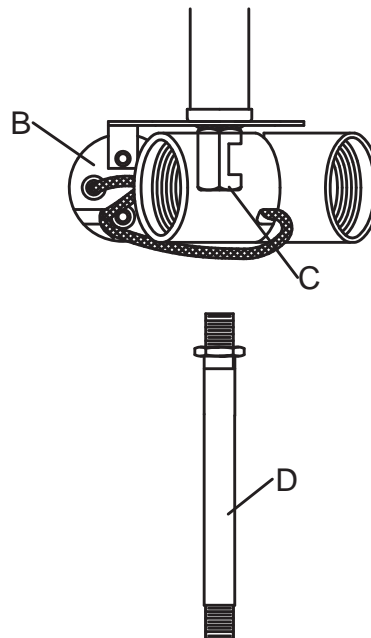
## 3 Mounting the canopy

- Pass the canopy (A) over the long machine screws (EE) protruding from the mounting bracket (DD).
- Secure the canopy (A) using washers (FF) and threaded knobs (CC).



## 4 Installing the threaded pipe

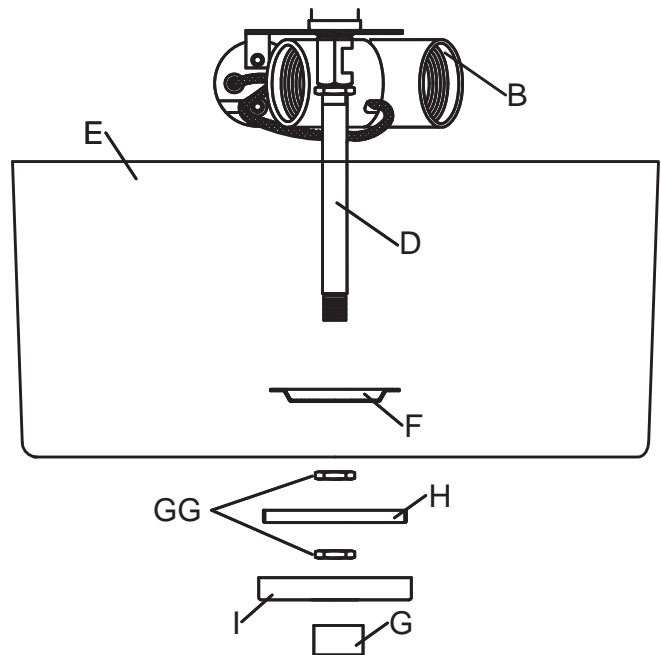
- Screw the threaded pipe (D) into the coupling (C) located on the socket assembly (B).



# Installation

## 5 Installing the bulbs and shade

- Install three 100W max., medium base bulbs (not included) into the socket assembly (B).
- Place the glass support (F) in the opening at the bottom of the shade (E).
- Pass the threaded pipe (D) through the shade (E) and shade support (F).
- Place the hex nuts (GG), inner cap (H), and decorative cap (I) over the threaded pipe (D), and secure them with the finial (G).



## Care and Cleaning

- When replacing bulbs, use 100W max., medium base bulbs.
- Always be certain that the electric current is turned off before cleaning this item.
- Use a soft, moist cloth with mild, non-abrasive soap to clean the fixture. Never use glass cleaner on fixture, as it will damage the metal finish.
- All glass shades may be washed in a towel-lined sink with warm water and mild soap. Do not wash shades in an automatic dishwasher.

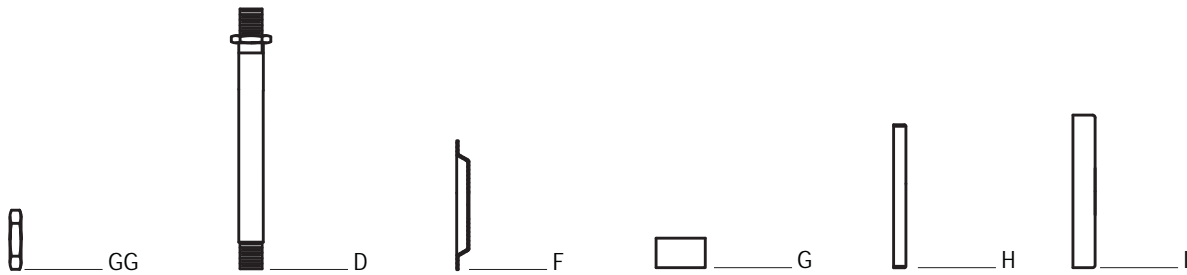
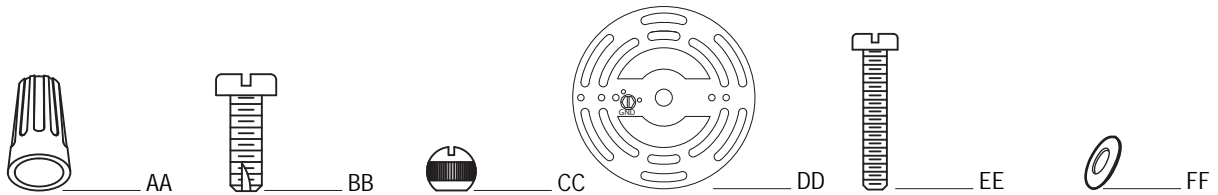
## Troubleshooting

Problem	Solution
The fixture does not light.	<ul style="list-style-type: none"><li><input type="checkbox"/> Check the wiring.</li><li><input type="checkbox"/> Replace the bulb(s).</li></ul>



# Service Parts

## Semi-Flush



Part	Description	Part #
AA	Wire Connector	WC001
BB	Short Machine Screw	SCR832X050
CC	Threaded Knob	TK1X832-NI
DD	Mounting Bracket	XBAR05
EE	Long Machine Screw	SCR832X100
FF	Washer	W89543

Part	Description	Part #
GG	Hex Nut	NUT832
D	Threaded pipe	TP89543
F	Glass Support	GS89543
G	Finial	F89543
H	Inner Cap	IC89543
I	Decorative Cap	DC89543



Questions, problems, missing parts? Before returning to the store,  
call Hampton Bay customer service  
8 a.m.-6 p.m., EST Monday-Friday

**1-877-527-0313**

**HAMPTONBAY.COM**

Retain this manual for future use.