

INSTALLATION GUIDE

Freestanding Bathtubs



**TWO PERSONS
REQUIRED**

Read all instructions carefully before proceeding

SAVE THIS GUIDE FOR FUTURE REFERENCE

Thank You For Choosing VANITYART

Thank you for choosing a quality VANITYART product. Your confidence in us is of paramount importance to the success of our company.

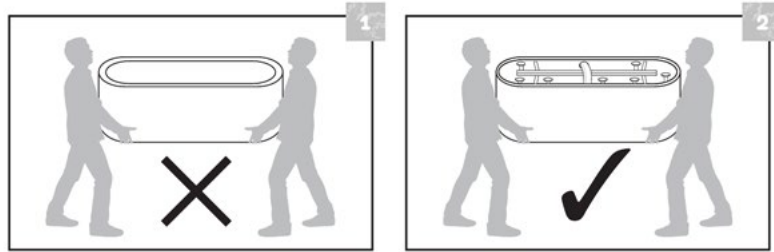
Please take a few minutes to review this manual before you start installation. If you encounter any installation or performance problems, please don't hesitate to contact us. Our phone numbers and website are listed at the bottom of each page.

Thanks again for choosing VANITYART.

ATTENTION — BEFORE INSTALLATION

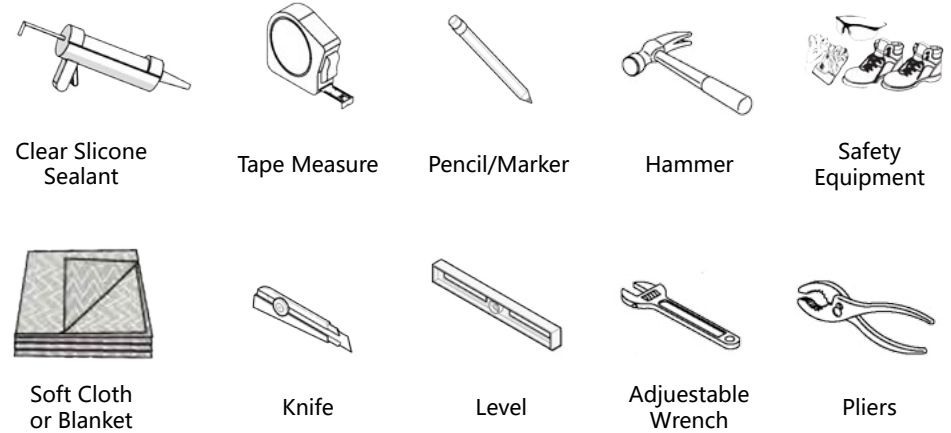
CAUTION!

We recommend that the installation be done by a minimum of 2 people as a security precaution. Also, make sure to adopt the proper posture when lifting the tub.



- Read all instructions before unpacking the product.
- This product must be installed by a fully insured and licensed plumber only. Installation of our products by anyone other than a fully insured and licensed plumber shall void the limited warranty. We recommend that such licensed plumbers have experience in the installation of products.
- Limited warranty is void on any commercial installation.
- We are not responsible for local code compliance for this product. Building and plumbing codes may vary from state to state by location. We are not responsible for providing any compliance certification.
- Under no circumstance we shall not be liable for any incidental damages sustained in connection with this product.
- Neither manufacturer, nor distributor, nor retailer is responsible for water damage or flood caused due to the use of this product.
- Under no circumstance we shall not be liable for any fees, cost of installation/reinstallation/removal, subsequent damage, or transportation in case of the product defect.

RECOMMENDED TOOLS AND MATERIALS



PLUS:

- Conventional woodworking tools and materials
- Drop cloth
- Construction adhesive (optional)
- Cement or mortar (optional)
- Tubing cutter



NOTE:

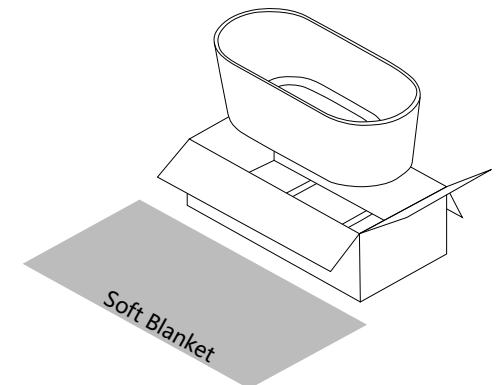
Clear silicone sealant is a superior product and is recommended to ensure against leaks. The use of acrylic or other caulks is not recommended.

Inspect the bathtub for any damages. If any damage is found please contact your retailer.

Carefully, remove the tub from its box.

CAUTION!

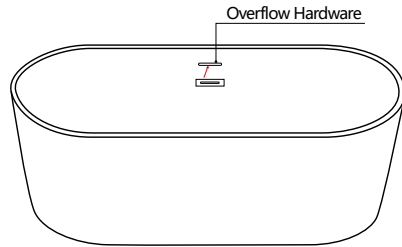
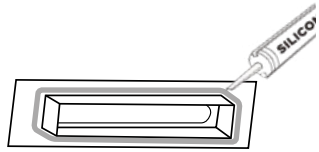
To avoid scratches or damage to the bathtub be sure to set it on cardboard with a soft blanket on the top of the cardboard.



1. Installation for Overflow Cover and Drain

NOTE:

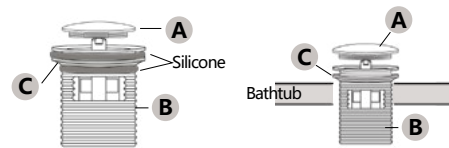
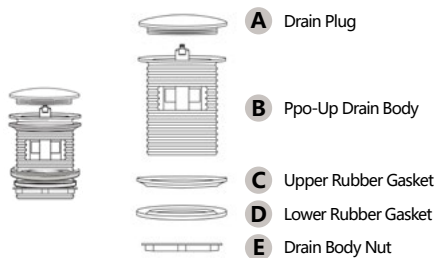
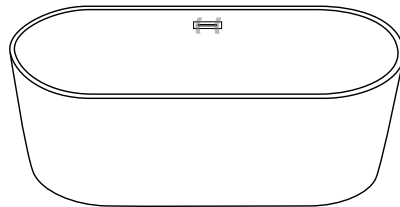
If overflow and drain were pre-installed to the tub, then skip this section and go to section 2-leak test before final installation on page 5.(If don't have overflow, please skip this step)



1. Locate hardware package. Remove overflow. Ensure the area on the bathtub is clean, dry, and free from any debris. Apply a bead of silicone sealant around the back of the insert, (being careful to not apply too much).

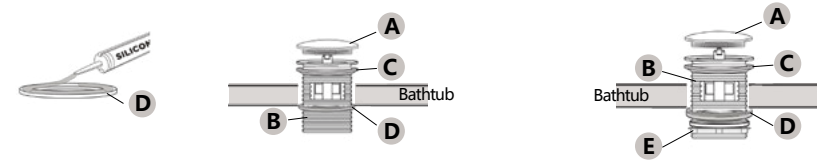
2. Press the overflow insert into the opening firmly. Be sure to wipe away any excess sealant that may come out.

3. Hold in place and confirm that the overflow is inserted flat and that it appears level from all viewable angles. Then apply tape to keep it in place until cured. After 24 hours the tape can be removed.



5. Pass the upper rubber gasket (C) over the bottom of the drain body up to the drain flange until they're flush. Apply silicone both above and below the upper rubber gasket (C) and pass both pieces through the drain hole.

4. Remove the drain assembly and disassembly parts A-E then proceed to step 5.



6. Apply a fresh bead of clear silicone around the lower rubber gasket (D) then pass it over the bottom of the drain body (B) until it's touching the bottom of the bathtub.

7. Attach the drain body nut (E) to the bottom of the lower rubber gasket (D) then pass it over the bottom of the drain body (B). Use an adjustable Wrench to tighten until the drain body nut (E), and lower rubber gasket (D) create a seal with the bottom of the bathtub.

CAUTION: DO NOT OVERTIGHTEN
Over tightening could break the seal or crack the bathtub.

2. LEAK TEST BEFORE FINAL INSTALLATION

- Set your bathtub on two 4x4 lumber pieces so you can have access from the bottom of the bathtub. Put a tray beneath the bathtub.

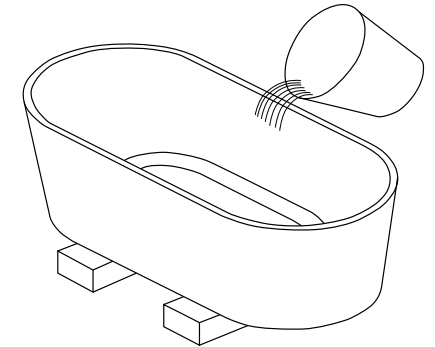
- VERY IMPORTANT! Before processing with installation, please check that the push pop-up, drain, and integrated overflow are properly sealed and tightened.

- Push the pop-up into a close position and fill the bathtub with cold water above the overflow level to test for overflow leakage and drain leakage.

- Check for any leaks around the drain and pipe. (NOTE: Due to surface tension, it is normal for a small amount of water to pool around the drain.)

- If a leakage occurs please disassemble the drain line or overflow assemblies and you can apply a plumbing silicone caulk to fix the leakage.

- Once the leakage test is performed you may proceed to the installation.

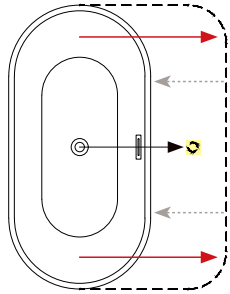


IMPORTANT:

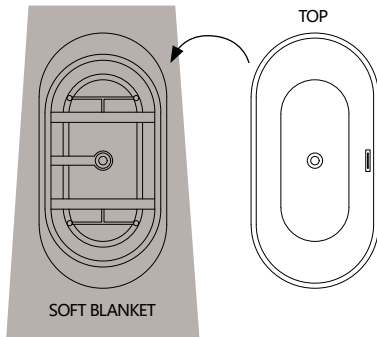
Please select the correct type of installation with your new tub. This manual includes installation with underfloor access (page 6) and installation on the slab floor (no underfloor access) on page 9.

If your tub came with a Down Force Drain Kit (in a separate box), please follow the installation guide included with the drain throughout your installation.

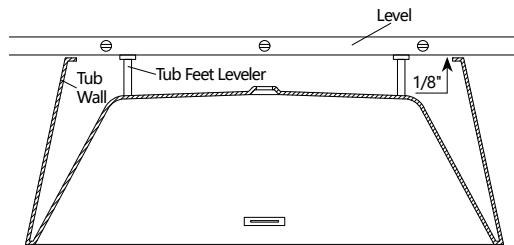
3. INSTALLATION WITH UNDERFLOOR ACCESS



1. Clean, level and prepare the floor for installation. Place the tub in the exact installed location on the floor trace the outline of the bathtub with a pencil and mark the drain hole location on the floor. Move the tub away so that the plumbing can be installed.



2. Turn the bathtub upside down and set it on a non-abrasive mat, blanket, or cardboard to prevent any scratches on the tub rim.



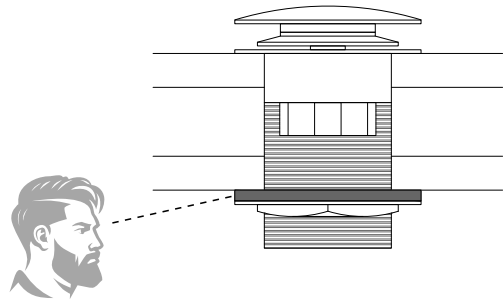
3. Place a level across the bottom of the tub and adjust the tub feet leveler to touch the level. Then raise the leveler an additional 1/8" or 3/16" so that the weight of the tub, water, and user are fully supported by the feet adjuster and not the tub walls.

4. Install a 1-1/2" tailpiece along with the corresponding flanged washer and 1-1/2" nut to the drain body.

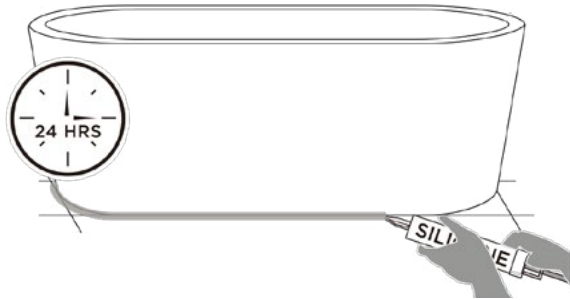
5. Measure and cut the tailpiece to the appropriate length to reach the trap adapter when setting the tub drain, insert the tailpiece with a 1-1/2" slip joint and rubber washer into the trap adapter, and tighten properly.

6. Try to put the tub in the desired position. Once the tub position is certain, apply a bead of waterproof silicone (or other suitable adhesive) to the bottom of the tub.

7. Flip the tub over and carefully set the tub into position with tailpiece assembly to P-trap and connect to the drain.



8. Fill the tub with water to the overflow and then drain the tub while inspecting the waste and overflow connection below the floor for any leaks. Access from below will be necessary for this step.



9. With the tub now set in place, wipe off any adhesive where the tub meets the floor with a wet cloth.

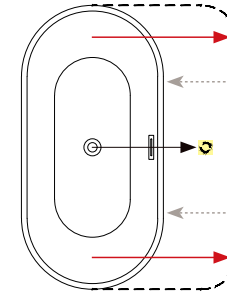
10. DO NOT SHOWER or MOVE the tub after installation because it will take about 24 hours to get the silicone sealant to dry.

IMPORTANT:

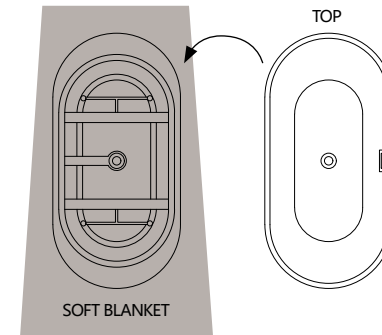
If installed on a concrete slab where no underfloor access or cannot move drain. You may consider the following option.

- Optional flexible drain hose from plumbing hardware or home improvement store may be used. Connect one end attaches to the bathtub drain and the other end needs to be attached to the floor drain by using a transition piece.
- Optional island tub drain may also be used.
- Create a bridge from the bathtub drain to the floor drain only by a certified plumber, as any mistake can cause leaks.

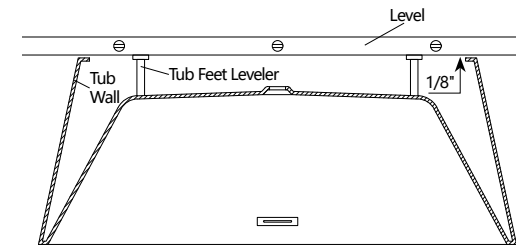
3. INSTALLATION WITH UNDERFLOOR ACCESS



1. Clean, level and prepare the floor for installation. Place the tub in the exact installed location on the floor trace the outline of the bathtub with a pencil and mark the drain hole location on the floor. Move the tub away so that the plumbing can be installed.

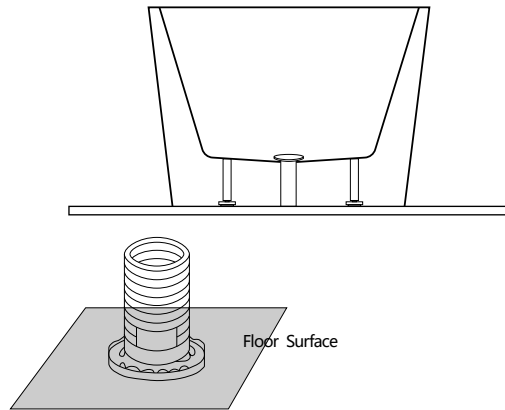


2. Turn the bathtub upside down and set it on a non-abrasive mat, blanket, or cardboard to prevent any scratches on the tub rim.

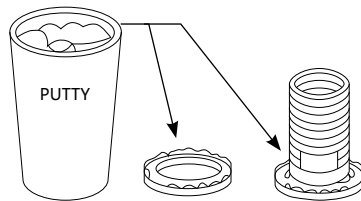


3. Place a level across the bottom of the tub and adjust the tub feet leveler to touch the level. Then raise the leveler an additional 1/8" or 3/16" so that the weight of the sub, water, and user are fully supported by the feet adjuster and not the tub walls.

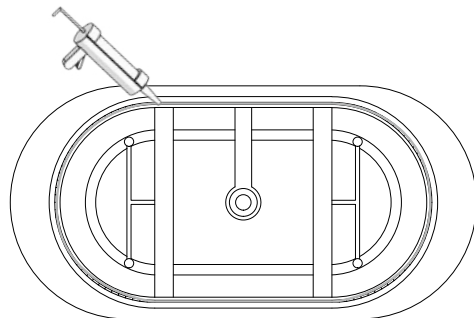
4. Measure the distance from the drain into the drain pipe on the floor; the drain pipe should extend approximately 1" above the finish floor. Use a drain adapter (not provided) if necessary.



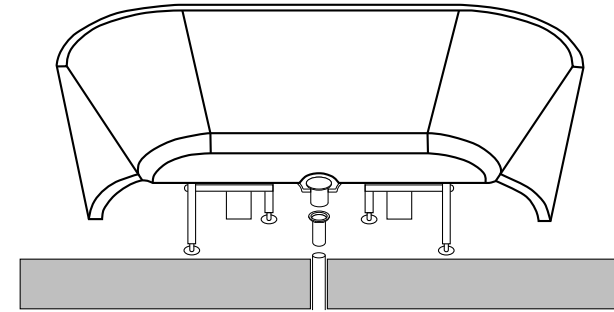
5. Clean the surrounding of the drain pipe with cloth in preparation for setting the drain, the area should be dry and free of any debris. Apply a bead of clean silicone or plumber putty around the drain body and pass it through the drain hole, also apply plumber putty to the washer and slide it over the bottom of the drain body.



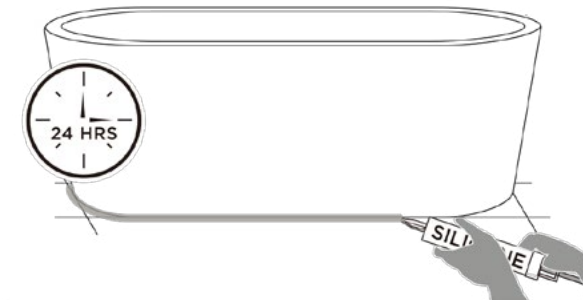
6. Install a 1-1/2" rubber slip gasket over the drain waste vent.



7. Apply a generous bead of adhesive or waterproof silicone to the bottom of the tub and caulk around the edge of the tub.



8. Flip the tub over and carefully set the tub into position with piece assembly to the waste vent and connect it to the drain.



9. With the tub now set in place. wipe off any excess tub or tile caulking, and adhesive where the meets the floor with a wet cloth.

10. DO NOT SHOWER or MOVE the tub after installation because it will take about 24 hours to get the silicone to dry.

IMPORTANT SAFETY RULES

ATTENTION! ALWAYS FOLLOW THESE PRECAUTIONS WHEN USING A BATHTUB.

WARNING The bathtub must be installed and used as described in this manual.

Use caution when entering or exiting the bathtub.

Do not permit children or persons with infirmities to use the bathtub without the supervision of an adult.

People using any medications or having adverse medical history must consult a physician before using the bathtub to avoid potential hyperthermia and possible drowning.

Water temperature over 100F may cause hyperthermia and/or other health problems. Check the water temperature and adjust it for your comfort.

Never use the bathtub while intoxicated, after taking meals, or any alcoholic beverages. Consuming alcoholic beverages before or during bathing will cause drowsiness and may result in hyperemia, loss of consciousness, or even drowning.

If you are pregnant or you feel that you may be pregnant, consult your doctor before using the bathtub.

Never use any electrical devices such as a hair dryer, telephone, TV, radio, or others within 5 feet of the bathtub.

Do not overfill the bathtub before entering. Entering the bathtub when filled will cause overflow and slippery conditions. Use extreme caution when entering and exiting.

CARE AND CLEANING

- Most dirt will wash off with mild soap and warm water.
- For tough spots, use liquid dishwashing soap or non-chlorine bleach.
- Do not use abrasive material such as steel wool or scouring pads to clean the acrylic surface.
- Always test the cleaning solution on a small area before using it on the entire surface.
- Do not allow cleaning to soak on the acrylic surface.
- Rinse thoroughly with water immediately and wipe dry with a soft cloth.

REPAIR AND MAINTENANCE

- Use liquid polish compounds such as Gel-Gloss Kitchen and Bath Polish (TM) to keep the original shine of the acrylic surface.
- Light scratches can be removed with a polishing compound for automobiles.
- For deeper scratches use wet sandpaper (1500 grit or higher). Always add water when sanding and lightly sand the area larger than the scratch in a circular motion to remove the scratches. Repeat until the scratch is removed. Use a soft cloth and a small amount of polishing compound to restore shine. Repeat as needed until surface shine is restored.

IMPORTANT!

DO NOT USE Abrasive cleaners such as acid, ammonia, bleach, and similar solutions. Use of such solutions may cause corrosion, finish peeling, and/or dull the surface.

DO NOT USE: Abrasive sponges or cloth. Never use steel, wool, or wire brushes that will permanently scratch the surface.

RETAIN THESE INSTALLATION INSTRUCTIONS FOR FUTURE REFERENCE!

Please don't hesitate to contact us if you have any questions or concerns.