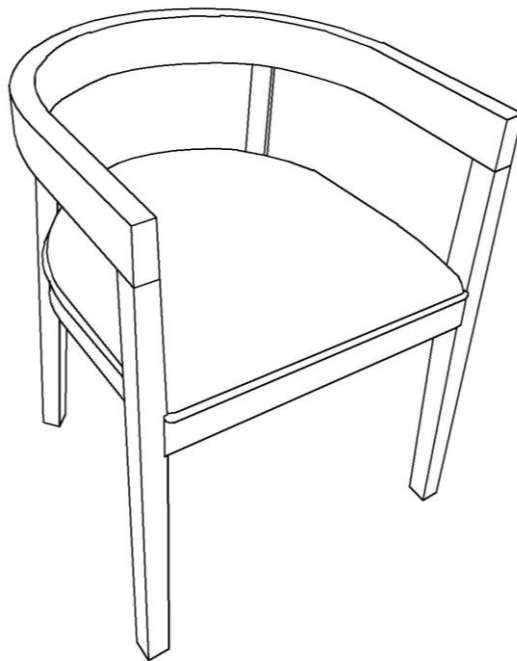


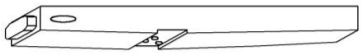
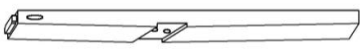

Assembly Instructions

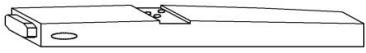
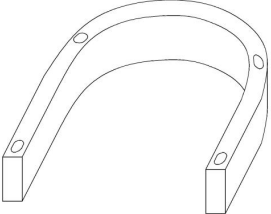
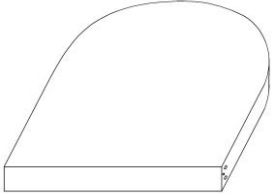
Caution : You must read this before you proceed

CHAIR


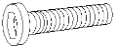





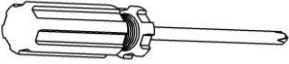


Parts List

Label	Picture	Description	QTY
A		Left Front Leg	1
B		Left Hind Leg	1
C		Right Hind Leg	1

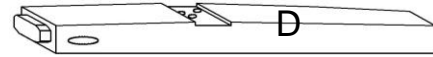
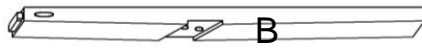
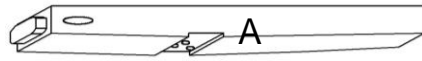
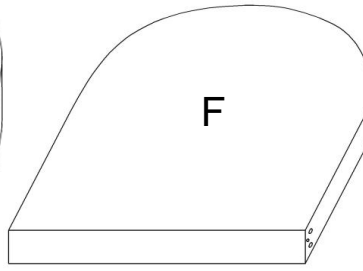
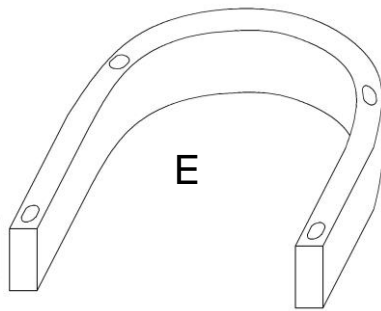
D		Right Front Leg	1
E		Armrest	1
F		Seat Cushion	1








Hardware

Label	Picture	Description	QTY
①		Allen Wrench	1
②		Short Bolt($\Phi 5/16$ "x1-3/4") M8*44mm	5
③		Long Bolt($\Phi 5/16$ "x3-1/4") M8*83mm	5
④		Spring Washer ($\Phi 5/16$ ")M8	10
⑤		Flat Washer($\Phi 5/16$ "x Φ 19mm)M8* Φ 19mm	10
⑥		Wood Tenon ($\Phi 10$ x40mm)	3
⑦		Screw ($\Phi 9$ x45mm)	5
⑧		Screwdriver	not provided

Assembly Preparation

Before Beginning Assembly:



-  X 1 PC
-  X 5 PCS
-  X 5 PCS
-  X 10PCS
-  X 10PCS
-  X 3 PCS
-  X 5 PCS



- Read instructions, cover to cover-



- Have 2 adults on hand for assembly-



- Do not assemble on flooring or carpet-



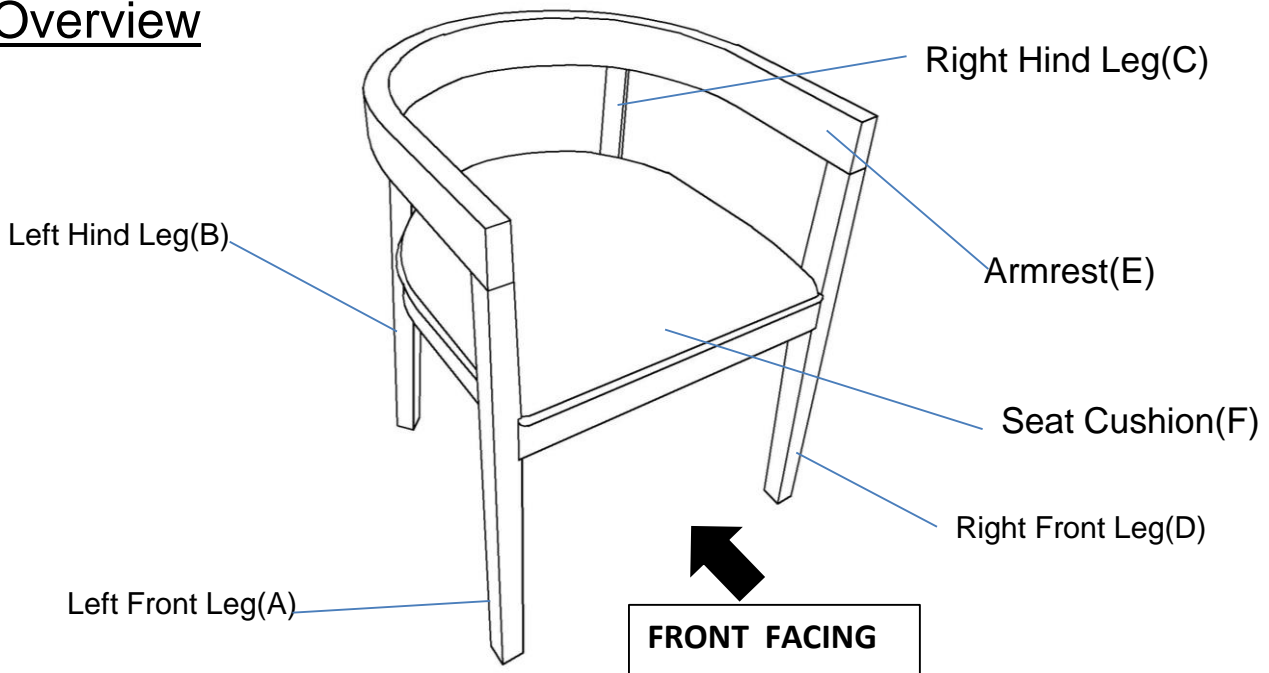
- Assemble on a clean non-marring surface (packing foam)-



- Save all packaging until finished-

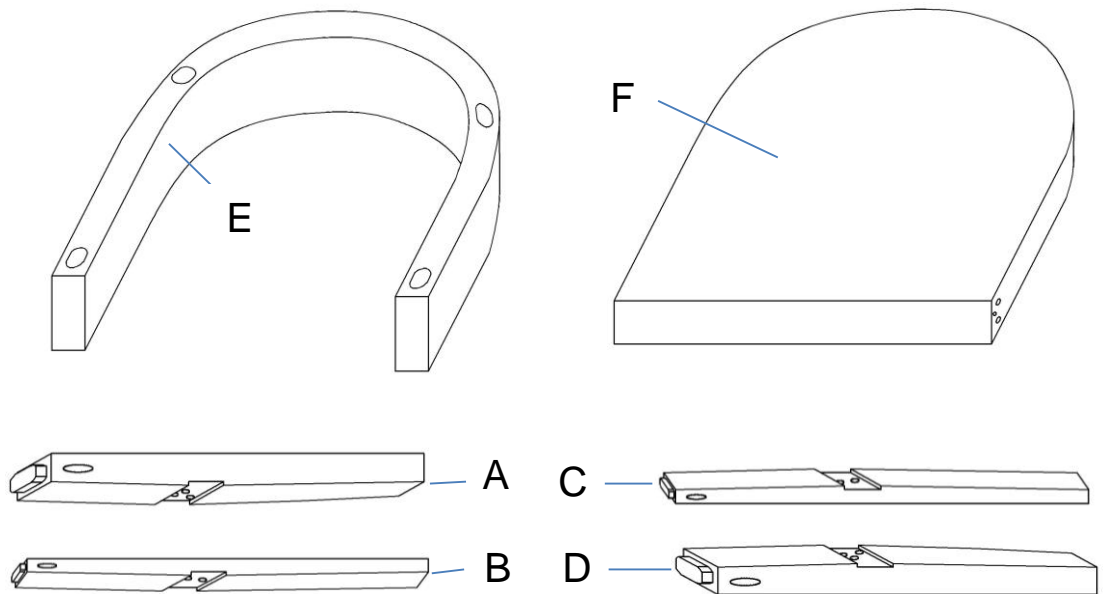
Assembly Steps

Overview



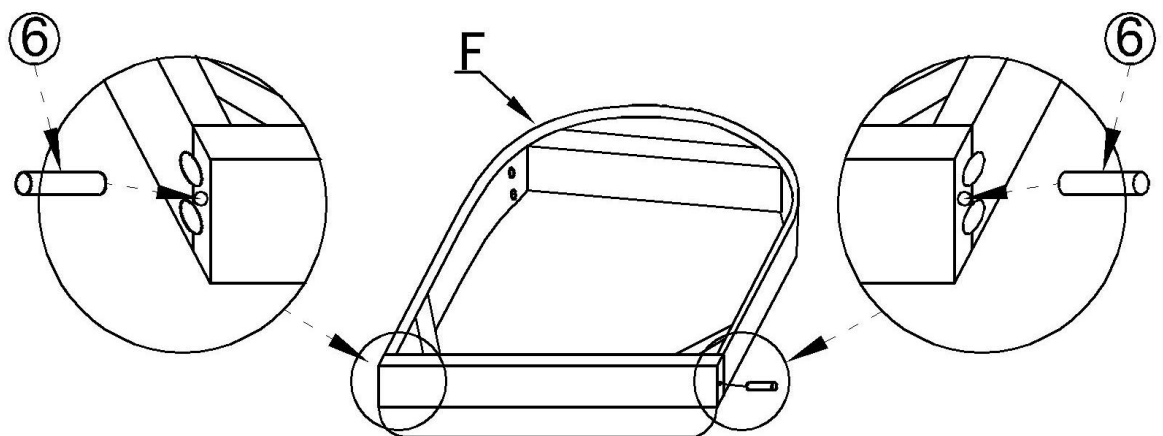
This Chair has multiple parts and may require up to some 30 minutes to assemble. To give you an overview of the chair parts, the above picture is to help you put the various parts into perspective. Please read through the instructions below to familiarise yourself with the parts and steps before assembly.

Step 1



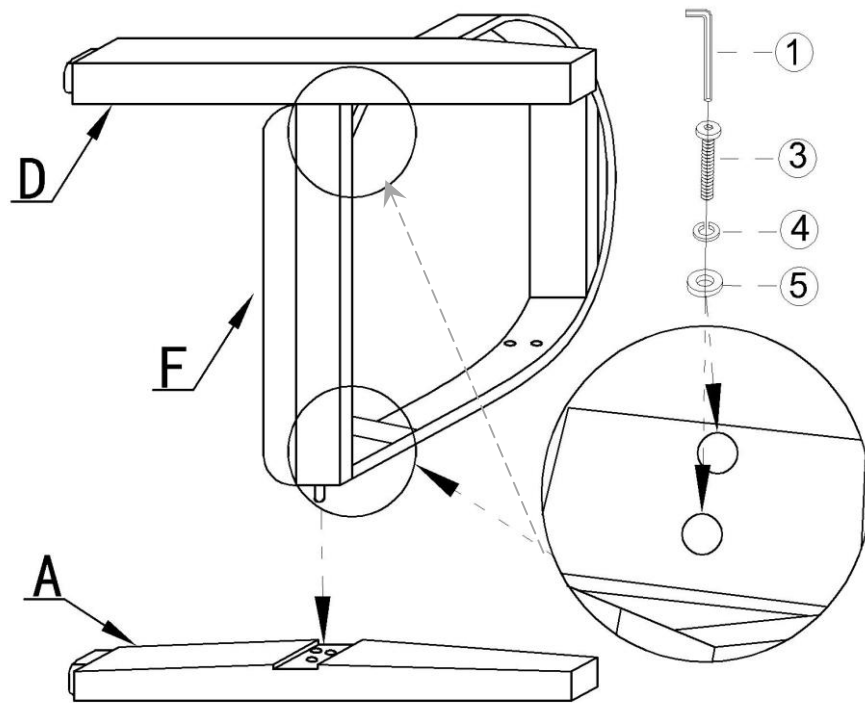
Place all Parts on a clean, flat surface.

Step 2



Install the Wooden Tenons(6) into the sides of the Seat cushion(F) as pictured above.

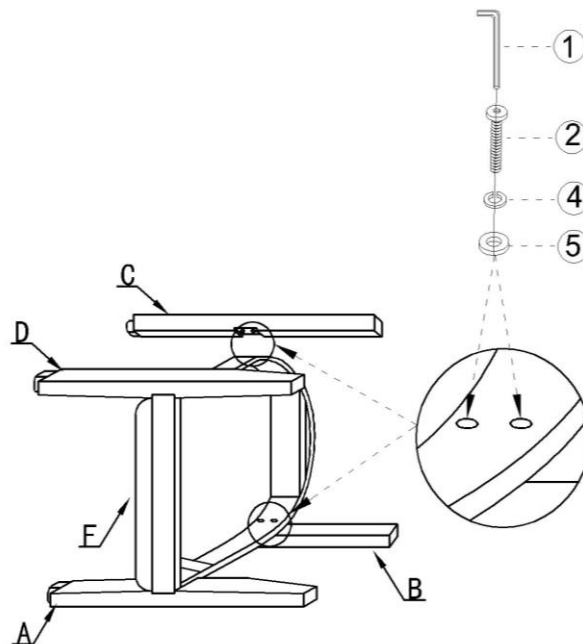
Step 3



Install the Left Front Leg (A) and the Right Front Leg (D) onto the Seat cushion (F) connecting them via the Wooden Tenons (⑥), then using the Allen Wrench(①), Long Bolts(③), Spring Washers(④), and Flat Washers(⑤), attach them as shown in the picture above.

Do not fully tighten the bolts at this time.

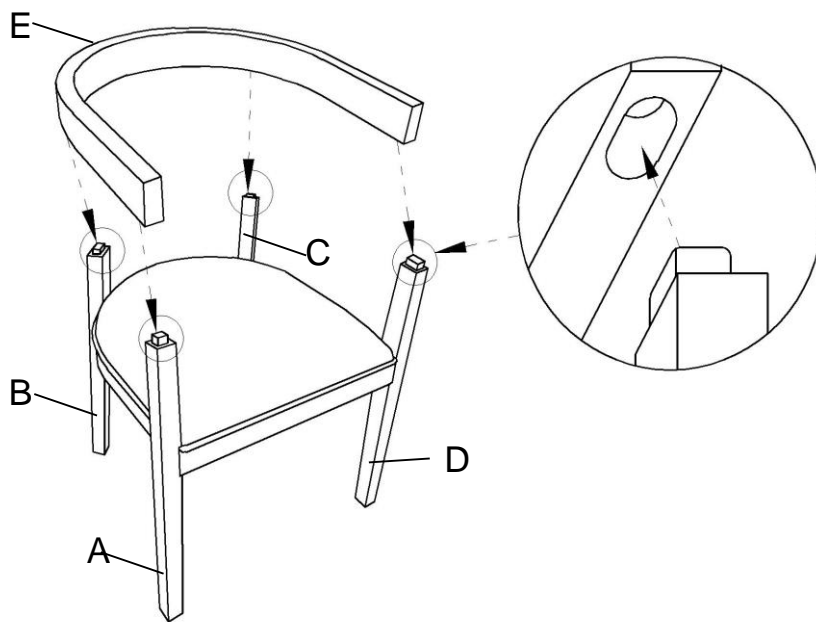
Step 4



Install the Left Hind Leg(B) and Right Hind Leg(C) onto the Seat Cushion (F) using the Allen Wrench (①), Short Bolts(②), Spring Washers(④), and Flat Washers (⑤) as pictured above.

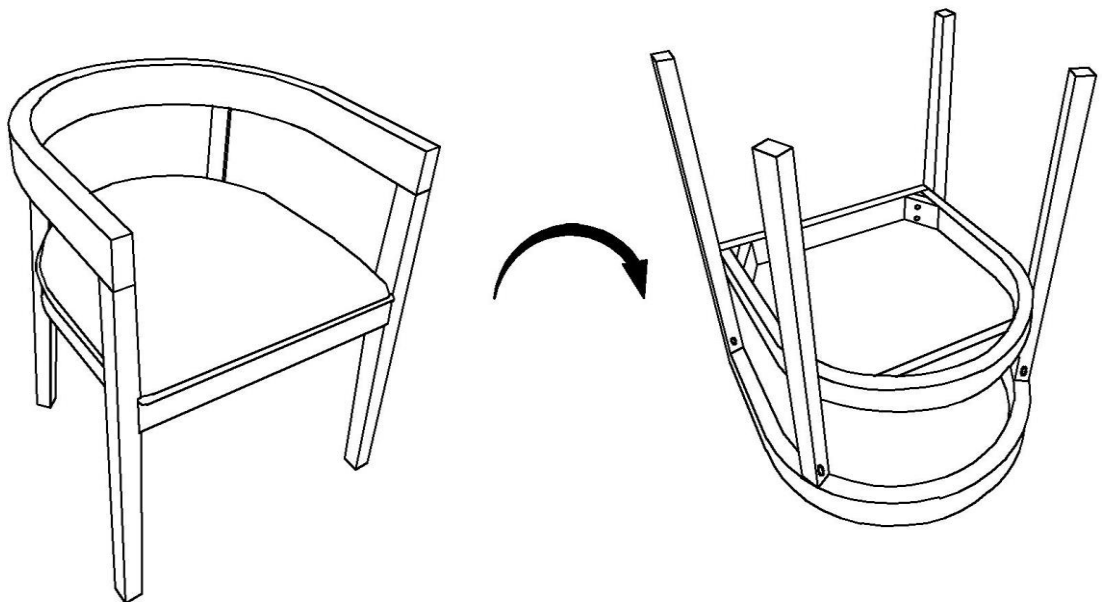
Do not fully tighten the bolts at this time.

Step 5



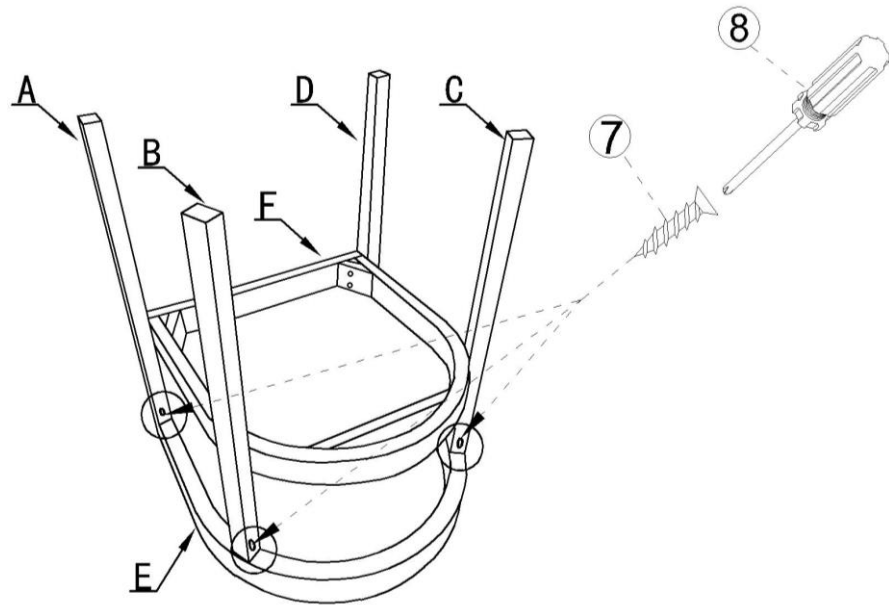
Install Armrest (E) onto the 4 Legs as pictured above.

Step 6



Flip the chair upside down as shown.

Step 7

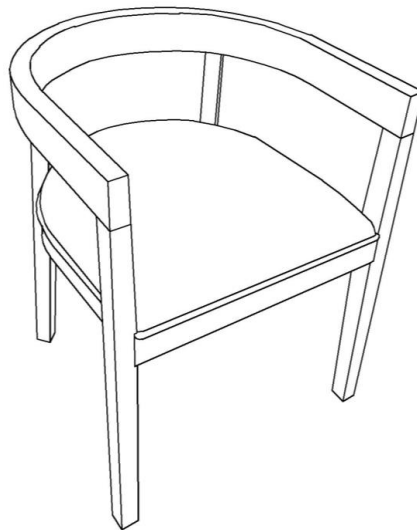


Note: The handrail should not fall off when flipped.

Affix Screws (⑦) using a Screwdriver (⑧) as pictured above.

Tighten all the Screws and Bolts.

Step 8



CAUTION 1: When tightening the screws and bolts, tighten sequentially. If there are any wobbles after tightening, loosen the screws and bolts and execute this same process.

Ensure all screws and bolts are fully locked into position.

Caution 2: This chair can only be used on a flat, level surface.

Your Chair is ready for use.

Care & Maintenance



- Furniture may scratch floors. We recommend using furniture pads to protect your floors.



- Do not put hot items directly on furniture surface.



- Do not clean furniture with harsh cleansers or polish.



- Do not place furniture under direct sunlight.



- Do not place furniture near heating or cooling vents.



- Do not write on furniture without a padded barrier to protect the surface.



- Do not place furniture outside . For indoor use only.



- Not for commercial use. For residential use only.



- Stains may be removed with mild soap solution and damp cloth.



- Children should not climb or jump on the furniture.



- Dust and pick-up spills using a clean, non-colored, lint-free cloth.