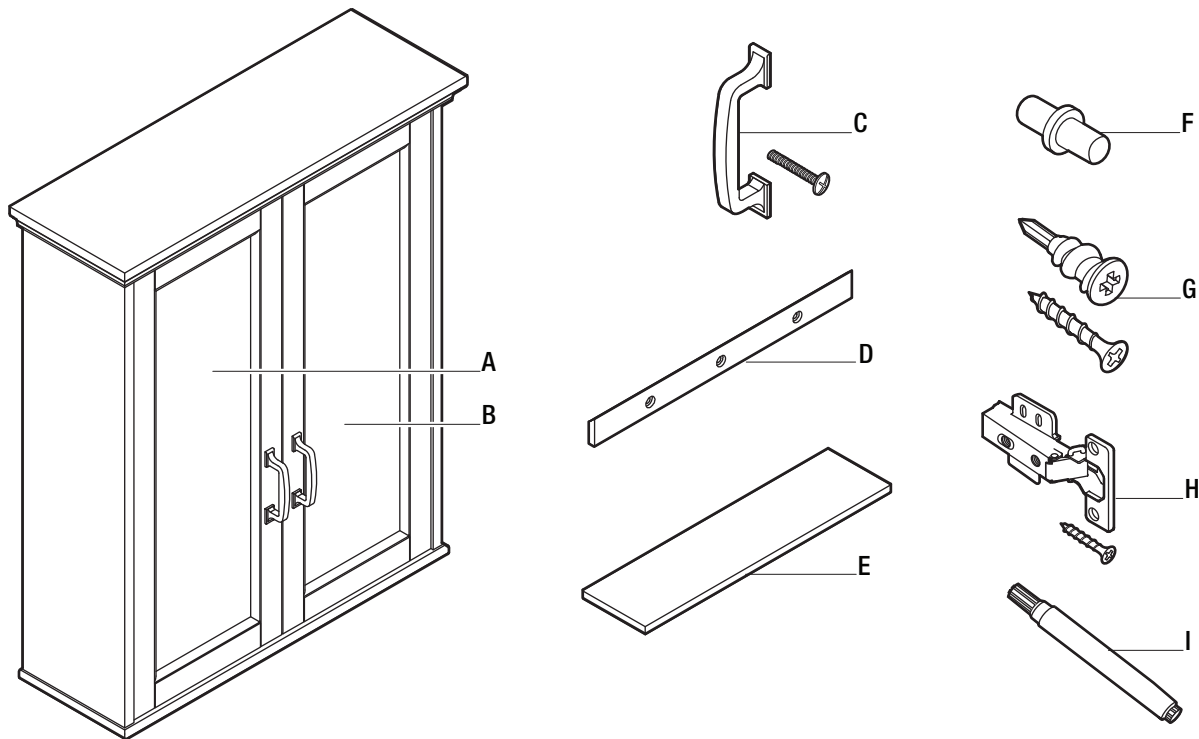


REPLACEMENT PARTS LIST

ASHBURN WALL CABINET



Please use the table below to identify the part number needed, and call FGI Industries, Ltd. Customer Service for your replacement at **888-620-3667**. Our team is available to assist you Monday - Friday, 7:00 A.M. - 5:00 P.M. (CST).

Part	Description	Part #
A	Left Door	PB-ASGW2327-L/DR
B	Right Door	PB-ASGW2327-R/DR
C	Door Handle (1 handle; 1 screw)	PB-HANDLE-LS016
D	Hanging Rail (1 rail; 3 screws)	PB-ASH SECURE MOUNT
E	Shelf	PB-ASGW2327-INR-SHLF
F	Shelf Pin	PB-SHELFPIN-CT001
G	Drywall Anchor	PB-WALL ANCHOR-BH004
H	Slow Close Hinge (1 hinge; 6 screws)	PB-SC HINGE-HY006
I	Touch Up Pen	PB-TUKIT005