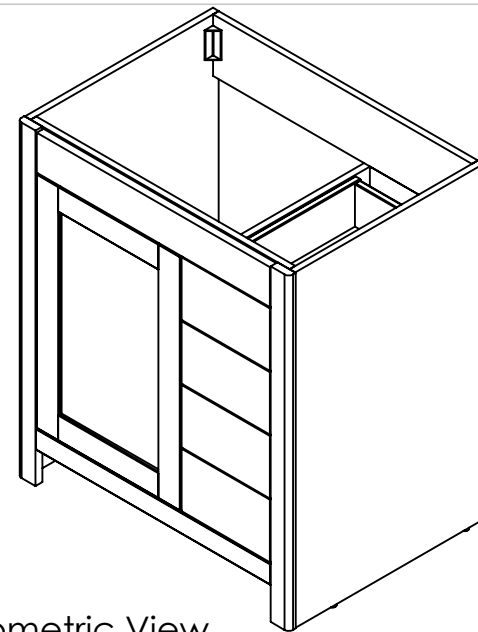
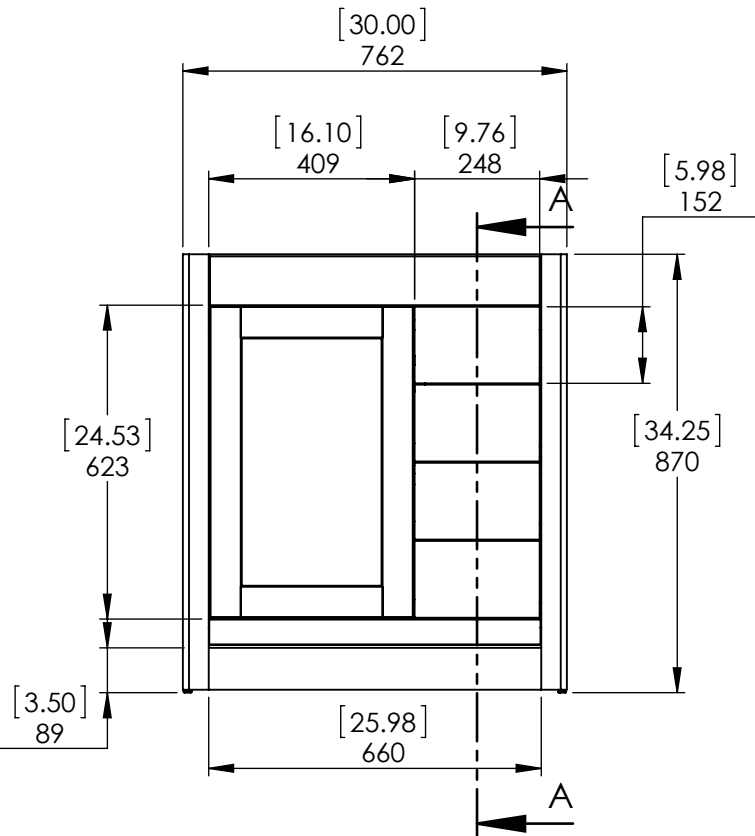


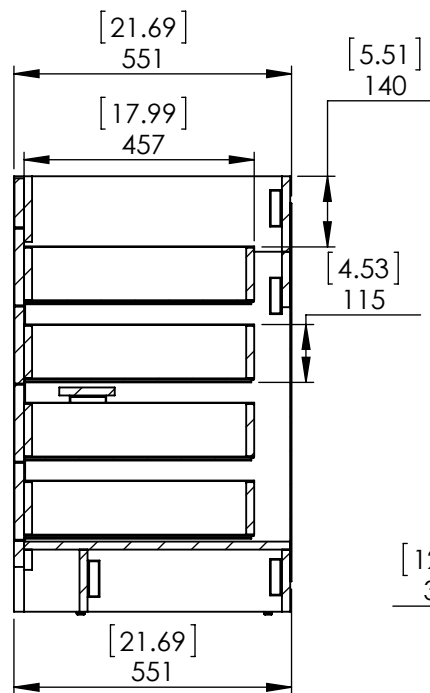
Top View



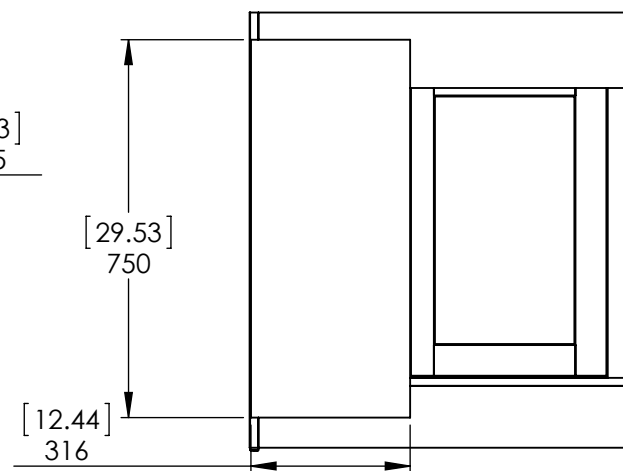
Isometric View



Front View



Section A-A
Side View



Back View

ITEM:	WT30-WH WT30-ST WT30-CH WT30-CR	REV	A
NAME:	Westcourt 30in Vanity - White / Sterling / Chocolate / Crema		
MATERIAL:	German Beech 4/4 Laminated Particle Board		

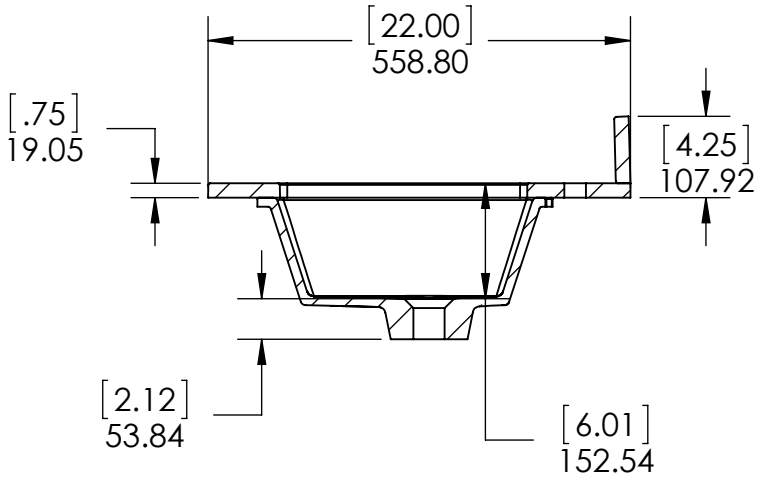
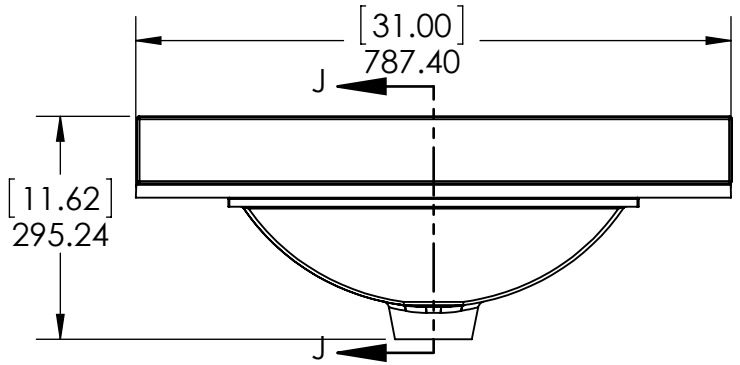
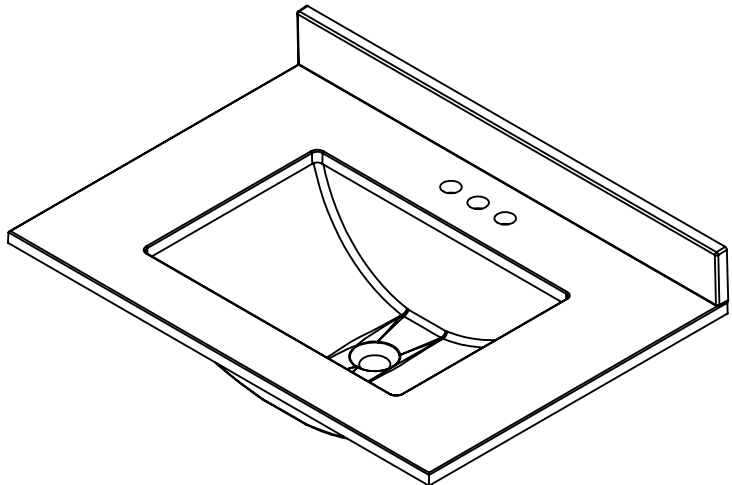
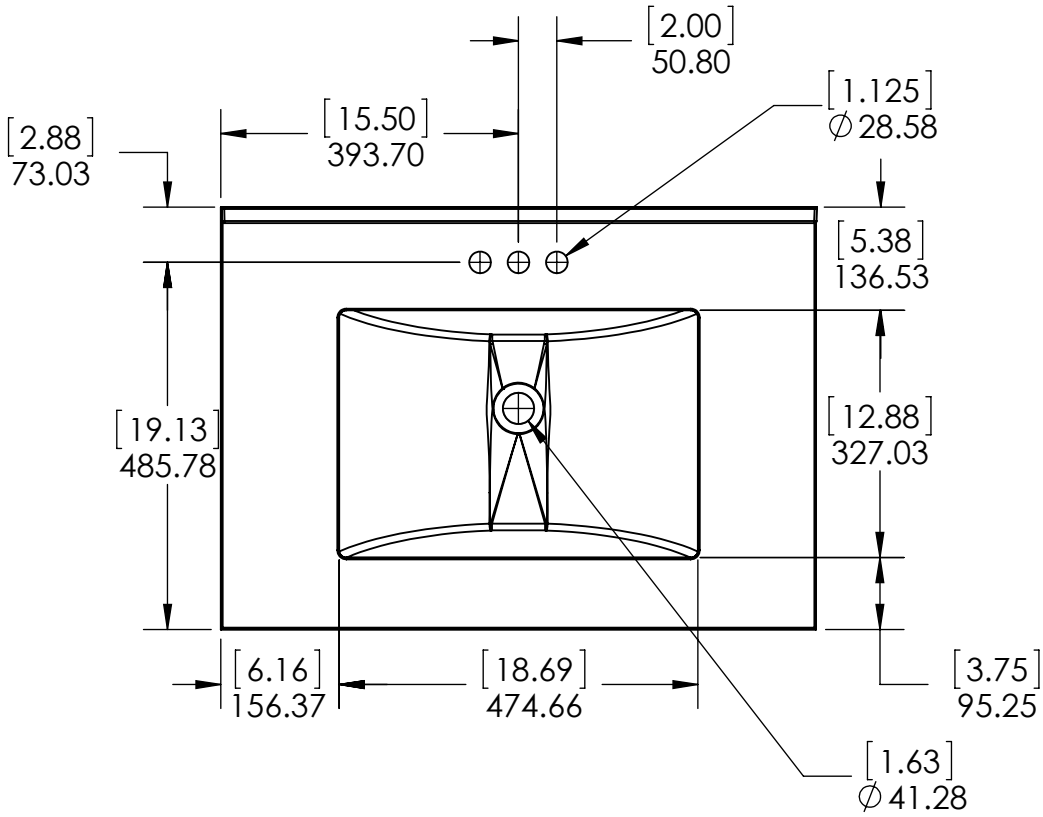


Propiedad y Confidencialidad
La información contenida en este dibujo es puramente propiedad de Woodcrafters Home Products LLC. Queda prohibida cualquier reproducción parcial o total sin el permiso por escrito de Woodcrafters Home Product LLC.

DRW:	JCNV	03/28/18
REV:	ING	03/28/18
APP:	R&D	03/28/18
SCALE:	1:20	MODEL:

SCALE: 1:20 MODEL: **Westcourt 30in**

Rev #	Approved by	Change
0	R. Rubio	Released



PROPRIETARY AND CONFIDENTIAL
 THE INFORMATION CONTAINED IN THIS DRAWING IS THE SOLE PROPERTY OF WOODCRAFTERS. ANY REPRODUCTION IN PART OR AS A WHOLE WITHOUT THE WRITTEN PERMISSION OF WOODCRAFTERS IS PROHIBITED.

UNLESS OTHERWISE SPECIFIED
 DIMENSIONS ARE IN MM. AND (INCHES)
 TOLERANCES ARE
 +0.125 [3.175] -0.125 [-3.175]
 SCALE:1:10

	NAME	DATE
DRAWN	R. Rubio	08/22/16
CHECKED	R. Rubio	08/22/16
ENG APPR.	R. Rubio	08/22/16
MFG APPR.	C. Leal	08/22/16

Wood Crafters
 Vtop Stone Effect, Rect 31x22
 SHEET 1 OF 2
 REV: 0

ID	Description	Technology	Status
SER31-AV	31 in. Stone Effects Vanity Top in Avalon with White Basin	Stone Effect	Approved for production
SER31-CO	31 in. Stone Effects Vanity Top in Cold Fusion with White Basin	Stone Effect	Approved for production
SER31-DN	31 in. Stone Effects Vanity Top in Dune with White Basin	Stone Effect	Approved for production
SER31-MI	31 in. Stone Effects Vanity Top in Mayan Ivory with White Basin	Stone Effect	Approved for production
SER31-RU	31 in. Stone Effects Vanity Top in Rustic Gold with White Basin	Stone Effect	Approved for production
SER31-SN	31 in. Stone Effects Vanity Top in SandShell with White Basin	Stone Effect	Approved for production
SER31-WM	31 in. Stone Effects Vanity Top in Winter Mist with White Basin	Stone Effect	Approved for production

Rev #	Approved by	Change
0	R. Rubio	Released

PROPRIETARY AND CONFIDENTIAL
 THE INFORMATION CONTAINED IN THIS DRAWING IS THE SOLE PROPERTY OF WOODCRAFTERS. ANY REPRODUCTION IN PART OR AS A WHOLE WITHOUT THE WRITTEN PERMISSION OF WOODCRAFTERS IS PROHIBITED.

UNLESS OTHERWISE SPECIFIED
 DIMENSIONS ARE IN MM. AND [INCHES]
 TOLERANCES ARE
 + 0.125 [3.175] - 0.125 [-3.175]
 SCALE:1:10

	NAME	DATE
DRAWN	R. Rubio	08/22/16
CHECKED	R. Rubio	08/22/16
ENG APPR.	R. Rubio	08/22/16
MFG APPR.	C. Leal	08/22/16

		SIZE	DWG. NO.	SHEET 2 OF 2
		A	Vtop Stone Effect, Rect 31x22	REV: 0