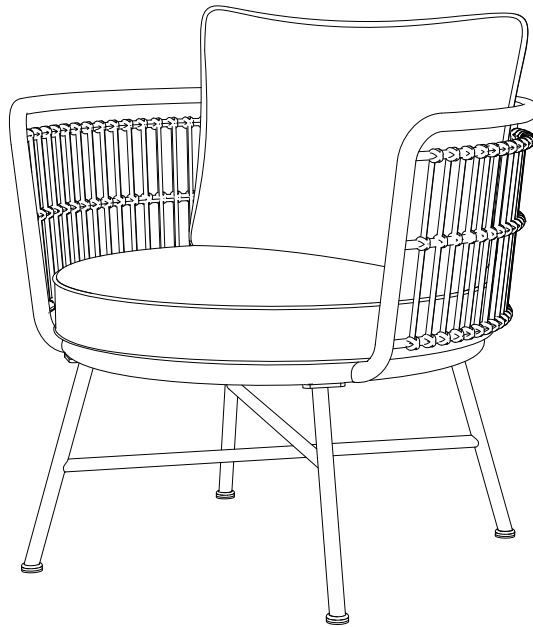


## USE AND CARE GUIDE

---

### SHILOH VALLEY CHAIR



Questions, problems, missing parts?  
Before returning to the store, call Customer Service  
8 a.m. - 7 p.m., EST, Monday - Friday, 9 a.m. - 6 p.m., EST, Saturday

**1-877-527-0313**

**HOMEDEPOT.COM**

---

#### **THANK YOU**

*We appreciate the trust and confidence you have placed in StyleWell through the purchase of this chair. We strive to continually create quality products designed to enhance your home. Visit us online to see our full line of products available for your home improvement needs. Thank you for choosing StyleWell!*

## Table of Contents

Table of Contents .....	2	Hardware Included. ....	3
Safety Information .....	2	Chair Package Contents .....	4
Warranty .....	2	Assembly. ....	5
What is Covered .....	2	Care and Cleaning .....	6
What is not Covered .....	2		
Pre-Assembly .....	3		
Planning Assembly .....	3		

## Important Safety Instructions

### SAVE THESE INSTRUCTIONS

### READ ALL INSTRUCTIONS BEFORE USE

To reduce the risk of injury to persons:

- Close supervision is necessary when this furnishing is used by or near children, or disabled persons, if applicable.
- Use this furnishing only for its intended use as described in these instructions. Do not use attachments not recommended by the manufacturer.



**CAUTION:** Read all of the instructions in this manual before you begin assembly. Failure to do so may result in faulty assembly and potential injury!

## Warranty

### 1 YEAR WARRANTY

#### WHAT IS COVERED

We warrant the product to be free of manufacturing defects to the original purchaser for one year.

#### WHAT IS NOT COVERED

It remains the customer's responsibility for freight and packaging charges to and from our service center. This warranty does not cover commercial use, hardware, acts of nature, freezing, or abusive use. In addition, purchased parts are not covered under this warranty.

We reserve the right to make substitutions with similar merchandise, if the model in question is no longer in production.

Contact Customer Care at 1-877-527-0313 or visit [www.HomeDepot.com](http://www.HomeDepot.com).

# Pre-Assembly

## PLANNING ASSEMBLY

Please read this entire instruction manual prior to assembly.

Identify all parts packed in the carton against the parts list. Remove all protective materials and place the parts on a non-abrasive surface to avoid scratching.



**NOTE:** More than one person may be required to assemble this product.

## HARDWARE INCLUDED



**NOTE:** Hardware not shown to actual size.



AA



BB



CC



DD

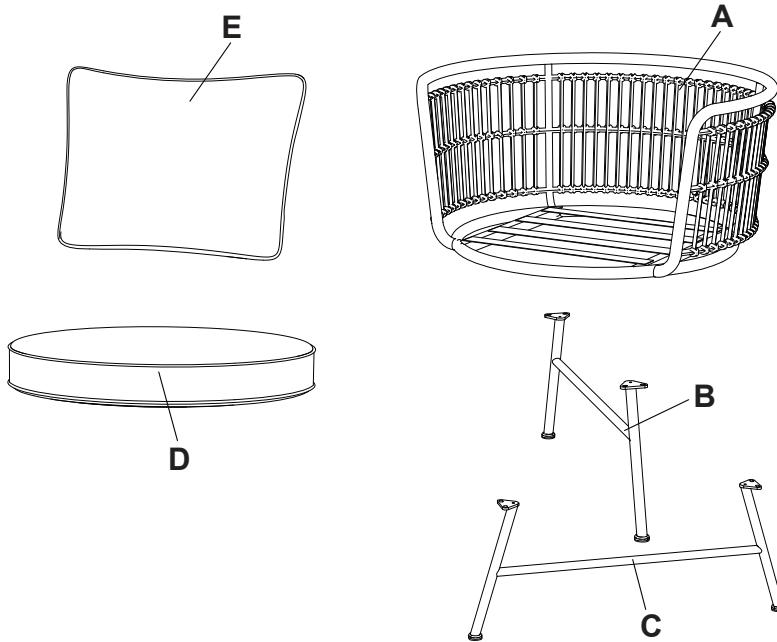
Part	Description	Quantity
AA	M6x15 bolt	8
BB	Washer	8
CC	Bolt cap	8
ZZ	Allen driver	1

# Pre-Assembly

## CHAIR PACKAGE CONTENTS



**IMPORTANT:** Do not fully tighten bolts/screws until all pieces are loosely assembled.

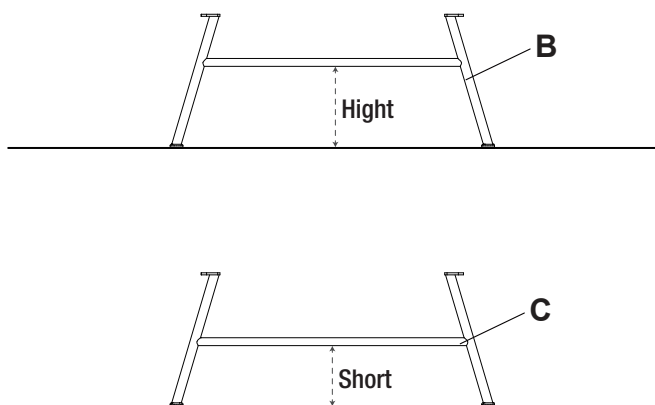


Part	Description	Quantity
A	Chair seat	1
B	Chair leg B	1
C	Chair leg C	1
D	Seat cushion	1
E	Back cushion	1

# Assembly

## 1 Distinguish the chair legs

- The support tube for chair leg B is higher from the ground, the lower one is chair leg C.

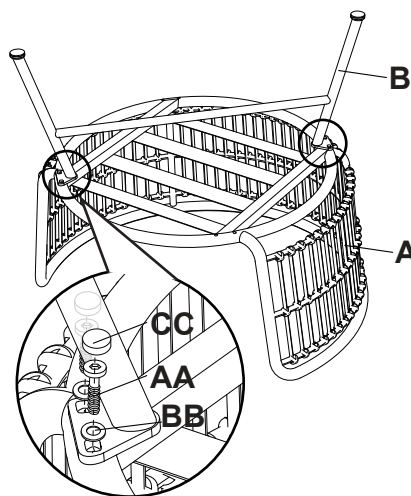


## 2 Attach the leg B to the chair seat

- Attach the leg (B) to the chair seat (A) using M6 bolts (AA) and washers (BB).

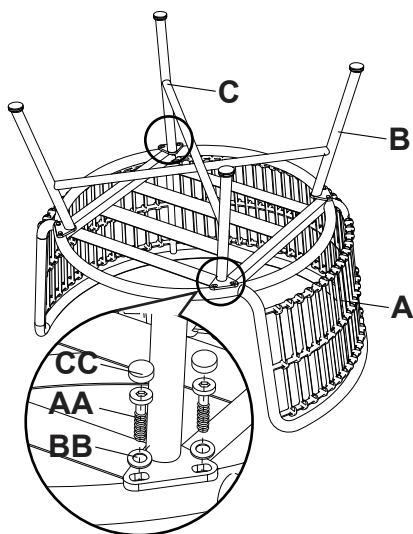


**NOTE:** Ensure that all the bolts are assembled correctly. Use the hex wrench (DD) to tighten them. Do not fully tighten the bolts until all pieces are loosely assembled. Add the corresponding plastic caps after the final assembly is complete.



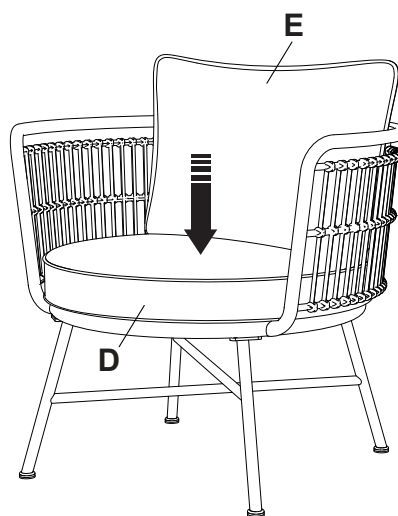
## 3 Attach the leg C to the chair seat

- Attach the leg (C) to the chair seat (A) using M6 bolts (AA) and washers (BB).



## 4 Add the cushion

- Add the seat cushion (D) and back cushion (E) to the chair.



## Care and Cleaning

---

- Do not allow water to build up in the frames. This will cause corrosion and possible freezing damage in cold climates.
- Use a mild soap and water for normal cleaning. Do not use janitorial or alcohol based cleaners. Some cleaners may be marked as natural, but some ingredients may cause discoloration or have an adverse reaction to your finish.
- Rinse with clean water and dry with a soft, absorbent cloth towel.
- Treat the frames with a liquid wax for maximum protection against UV rays and/or salty, damp air.

# **StyleWell.™**

Questions, problems, missing parts?  
Before returning to the store, call Customer Service  
8 a.m. - 7 p.m., EST, Monday - Friday, 9 a.m. - 6 p.m., EST, Saturday

**1-877-527-0313**

**HOMEDEPOT.COM**

Retain this manual for future use.

## USE AND CARE GUIDE

---

### SHILOH VALLEY BISTRO TABLE



Questions, problems, missing parts?  
Before returning to the store, call Customer Service  
8 a.m. - 7 p.m., EST, Monday - Friday, 9 a.m. - 6 p.m., EST, Saturday

**1-877-527-0313**

**HOMEDEPOT.COM**

---

#### **THANK YOU**

*We appreciate the trust and confidence you have placed in StyleWell through the purchase of this table. We strive to continually create quality products designed to enhance your home. Visit us online to see our full line of products available for your home improvement needs. Thank you for choosing StyleWell!*



## Table of Contents

Table of Contents	2	Hardware Included	3
Safety Information	2	Table Package Contents	4
Warranty	2	Assembly	5
What is Covered	2	Care and Cleaning	6
What is not Covered	2		
Pre-Assembly	3		
Planning Assembly	3		

## Important Safety Instructions

### SAVE THESE INSTRUCTIONS

### READ ALL INSTRUCTIONS BEFORE USE

To reduce the risk of injury to persons:

- Close supervision is necessary when this furnishing is used by or near children, or disabled persons, if applicable.
- Use this furnishing only for its intended use as described in these instructions. Do not use attachments not recommended by the manufacturer.



**CAUTION:** Read all of the instructions in this manual before you begin assembly. Failure to do so may result in faulty assembly and potential injury!

## Warranty

### 1 YEAR WARRANTY

#### WHAT IS COVERED

We warrant the product to be free of manufacturing defects to the original purchaser for one year.

#### WHAT IS NOT COVERED

It remains the customer's responsibility for freight and packaging charges to and from our service center. This warranty does not cover commercial use, hardware, acts of nature, freezing, or abusive use. In addition, purchased parts are not covered under this warranty.

We reserve the right to make substitutions with similar merchandise, if the model in question is no longer in production.

Contact Customer Care at 1-877-527-0313 or visit [www.HomeDepot.com](http://www.HomeDepot.com).

# Pre-Assembly

## PLANNING ASSEMBLY

Please read this entire instruction manual prior to assembly.

Identify all parts packed in the carton against the parts list. Remove all protective materials and place the parts on a non-abrasive surface to avoid scratching.



**NOTE:** More than one person may be required to assemble this product.

## HARDWARE INCLUDED



**NOTE:** Hardware not shown to actual size.



AA



BB



CC



DD

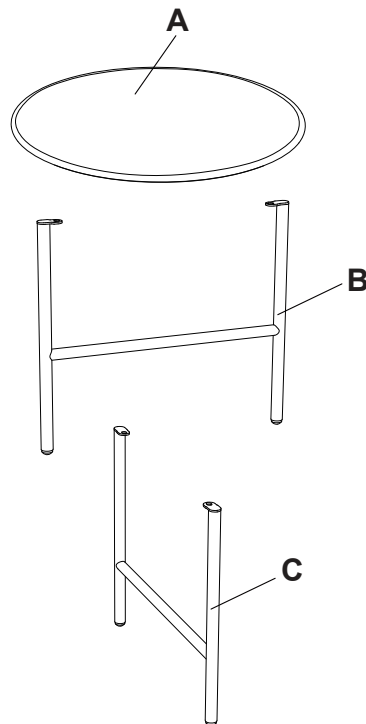
Part	Description	Quantity
AA	M6x15 bolt	4
BB	Washer	4
CC	Bolt cap	4
ZZ	Allen driver	1

# Pre-Assembly

## TABLE PACKAGE CONTENTS



**IMPORTANT:** Do not fully tighten bolts/screws until all pieces are loosely assembled.

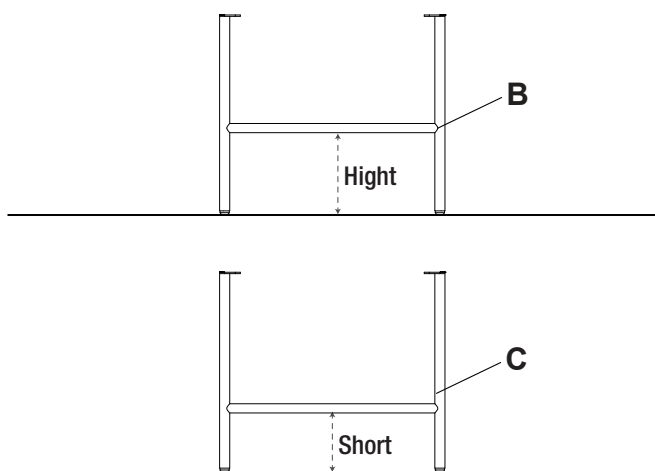


Part	Description	Quantity
A	Table top	1
B	Table leg B	1
C	Table leg C	1

# Assembly

## 1 Distinguish the table legs

- The support tube for table leg B is higher from the ground, the lower one is table leg C.

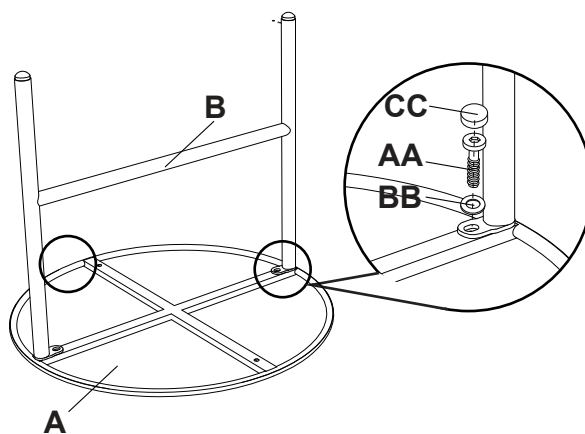


## 2 Attach the table leg B to the table top

- Attach the table leg B to the table top using M6 bolts (FF) and washers (CC).

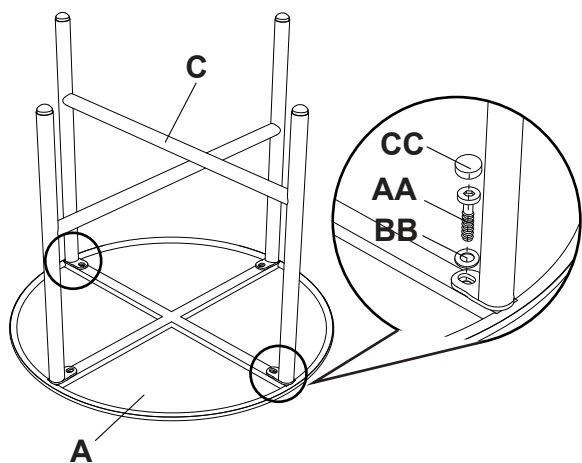


**NOTE:** Ensure that all the bolts are assembled correctly. Use the hex wrench (DD) to tighten them. Do not fully tighten the bolts until all pieces are loosely assembled. Add the corresponding plastic caps after the final assembly is complete.



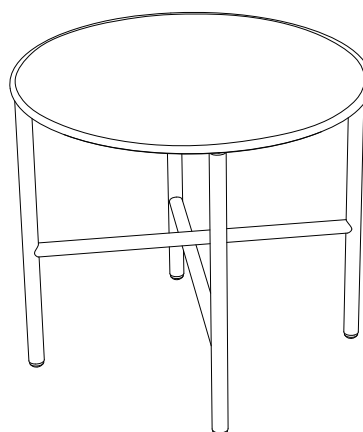
## 3 Attach the table leg C to the table top

- Attach the table leg (C) to the table top.



## 4 Turn the table up

- Turn the table right side up.



## Care and Cleaning

---

- Do not allow water to build up in the frames. This will cause corrosion and possible freezing damage in cold climates.
- Use a mild soap and water for normal cleaning. Do not use janitorial or alcohol based cleaners. Some cleaners may be marked as natural, but some ingredients may cause discoloration or have an adverse reaction to your finish.
- Rinse with clean water and dry with a soft, absorbent cloth towel.
- Treat the frames with a liquid wax for maximum protection against UV rays and/or salty, damp air.

# **StyleWell.™**

Questions, problems, missing parts?  
Before returning to the store, call Customer Service  
8 a.m. - 7 p.m., EST, Monday - Friday, 9 a.m. - 6 p.m., EST, Saturday

**1-877-527-0313**

**HOMEDEPOT.COM**

Retain this manual for future use.