

INSTALLATION INSTRUCTIONS



One-Piece Toilet

MODEL: Concorde® -SM-1T106

Share your pictures for a feature! using #SwissMadison

www.swissmadison.com
1-434-MADISON
19 Stults Road, Dayton, NJ 08810

To ensure this product is installed properly, please read these instructions carefully before you begin. (Certain Installation may require professional help.)

CAUTION: PRODUCT IS FRAGILE. TO AVOID BREAKAGE AND POSSIBLE INJURY HANDLE WITH CARE!
NOTE: Pictures may not exactly define contour of china and components.

RECOMMENDED TOOLS AND MATERIALS

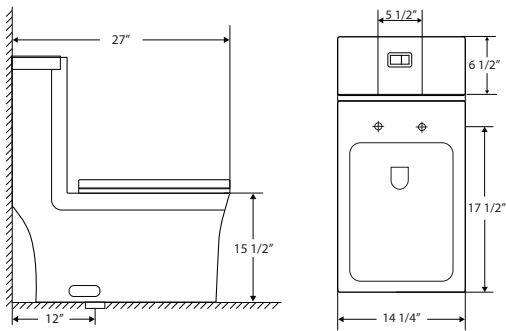
Putty Knife	Regular Screwdriver	Adjustable Wrench	Sealant	Tape Measure
Hacksaw	Wax Ring/Gasket	Flexible Supply Tube	Closet Bolts	Carpenters Level

1 REMOVE OLD TOILET

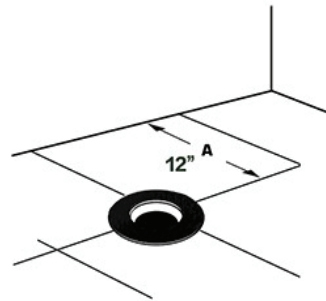
- Close toilet supply valve and flush tank completely. Towel or sponge remaining water from tank and bowl.
 - Disconnect and remove supply line. NOTE: *If replacing valve, first shut off main water supply!*
 - Remove old mounting hardware, remove toilet and plug floor waste opening to prevent escaping sewer gases.
 - Remove closet bolts from flange and clean away old wax, putty, etc. from base area.
- NOTE: *Mounting surface must be clean and level before new toilet is installed!*

2 ROUGHING-IN DIMENSIONS:

NOTE: Distance from wall to closet flange centerline must be as listed below:

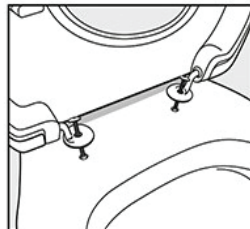


3



4 INSTALL TOILET SEAT

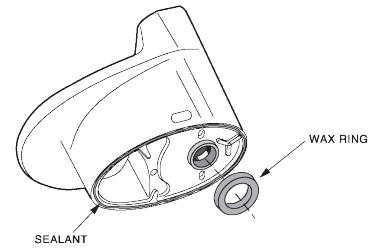
- Screw one washer and one nut onto each of the two metal hinges provided. From the top of the bowl, place each nut and washer through one of the seat holes.
- With the seat in the upright position, insert the two metal hinges into the seat.
- Holding the nuts from underneath the bowl, screw the hinges tight against the bowl.



ONE PIECE TOILET

INSTALLATION INSTRUCTIONS

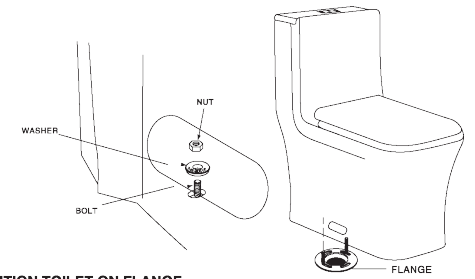
5



INSTALL WAX SEAL

Invert toilet on floor (cushion to prevent damage), and install wax ring evenly around waste flange (horn), with tapered end of ring facing toilet. Apply a thin bead of sealant around toilet base.

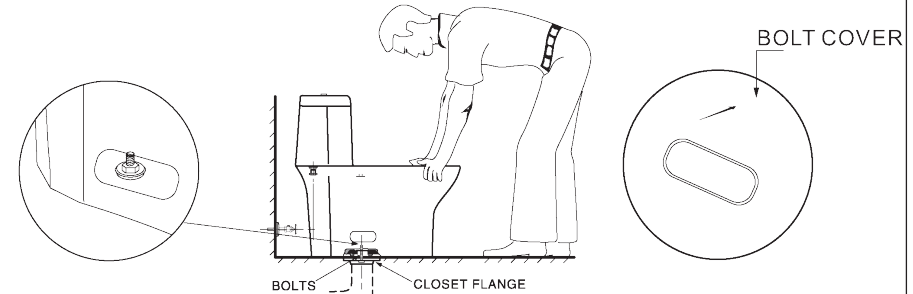
6



POSITION TOILET ON FLANGE

- Unplug floor waste opening and install toilet on closet flange so bolts project through mounting holes.
- Loosely install retainer washers and nuts. Side of washers marked "THIS SIDE UP" must face up!

7



INSTALL TOILET

- Position toilet squarely to wall and, with a rocking motion, press bowl down fully on wax ring and flange. Alternately tighten nuts until toilet is firmly seated on floor.

- CAUTION: DO NOT OVERTIGHTEN NUTS OR BASE MAY BE DAMAGED!**
- Adhere bolt covers to toilet.
 - Smooth off the bead of sealant around base. Remove excess sealant.



Meets the Americans With Disabilities Act (ADA) guidelines and ANSI A117.1 requirements for accessible building facilities. Check local codes