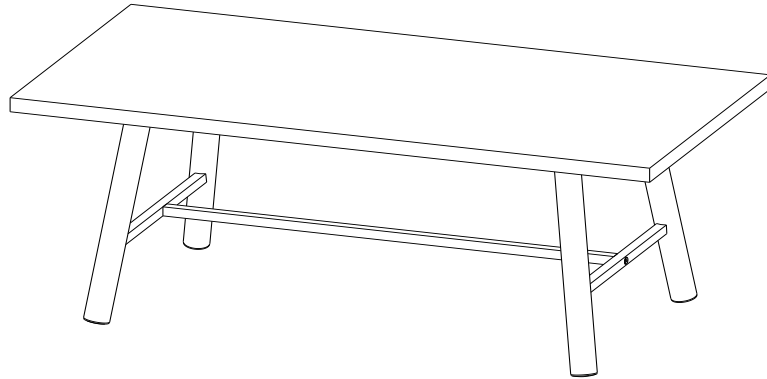


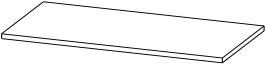


Assembly Instructions

Caution : You must read this before you proceed

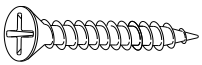
COFFEE TABLE

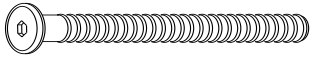

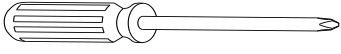


Parts List

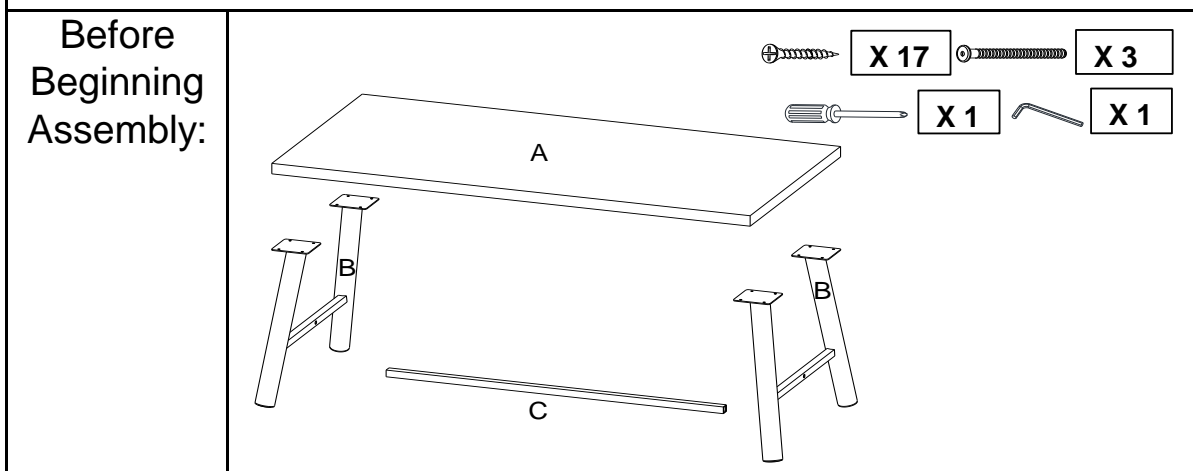
Label	Picture	Description	QTY
A		Top Panel	1
B		METAL LEG	2
C		METAL SUPPORT	1






Hardware

Label	Picture	Description	QTY
①		Screw (M4*20mm)	17

②		Bolt (M6*40mm)	3
③		Allen Key	1
④		Screwdriver (not provided)	1

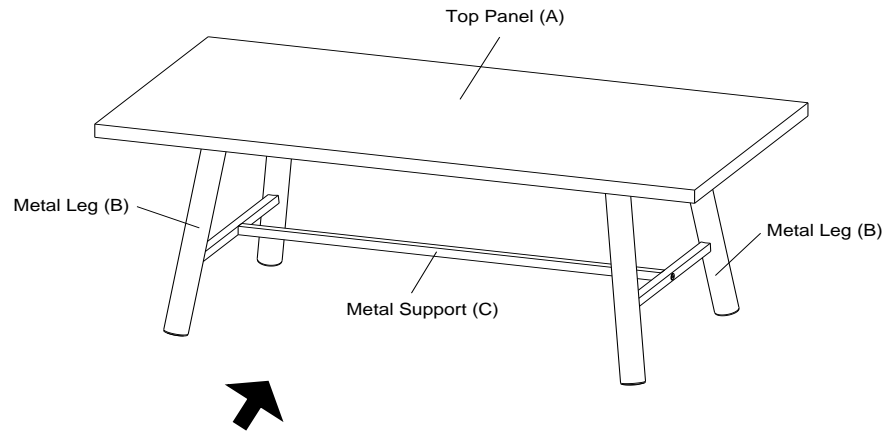
Assembly Preparation



-  • Read instructions, cover to cover-
-  • Have 2 adults on hand for assembly-
-  • Do not assemble on flooring or carpet-
-  • Assemble on a clean non-marring surface (packing foam)-
-  • Save all packaging until finished-

Assembly Steps

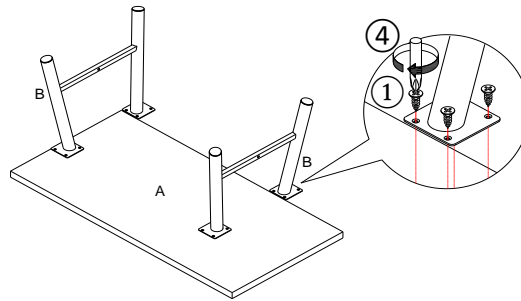
Overview



FRONT FACING

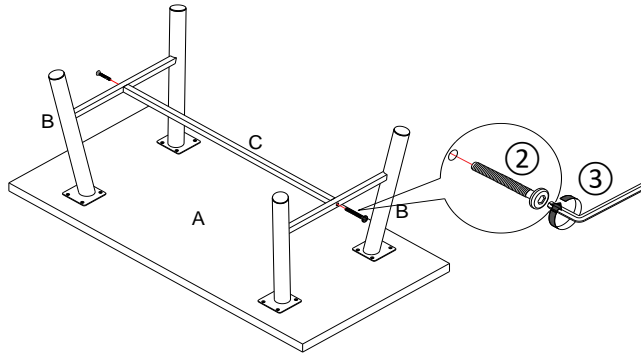
This Coffee Table has multiple parts and may require up to 60 minutes to assemble. To give you an overview of the Coffee Table parts, the above picture is to help you put the various parts into perspective. Please read through the instructions below to familiarise yourself with the parts and steps before assembly.

Step 1



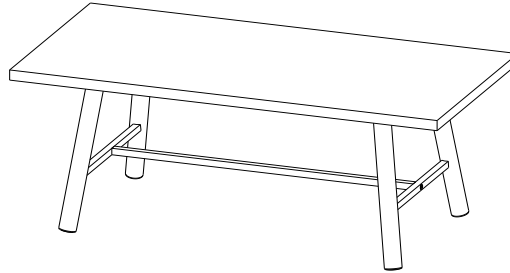
Unpack and place all parts on a clean, non-marring surface.
Attach Metal Leg(B) to Top Panel(A) Screw(①) with Screwdriver(④).

Step 2



Attach Metal Leg(B) to Metal Support(C) Bolt(②) with Allen Key(③).












Step 3



Your Coffee Table is ready for use.

This Coffee Table can only be used on a flat, level surface.

Care & Maintenance

- ✓  • Furniture may scratch floors. We recommend using furniture pads to protect your floors.
- ⊘  • Do not put hot items directly on furniture surface.
- ⊘  • Do not clean furniture with harsh cleansers or polish.
- ⊘  • Do not place furniture under direct sunlight.
- ⊘  • Do not place furniture near heating or cooling vents.
- ⊘  • Do not write on furniture without a padded barrier to protect the surface.
- ⊘  • Do not place furniture outside . For indoor use only.
- ⊘  • Not for commercial use. For residential use only.
- ⊘  • Stains may be removed with mild soap solution and damp cloth.
- ⊘  • Children should not climb or jump on the furniture.
- ✓  • Dust and pick-up spills using a clean, non-colored, lint-free cloth.