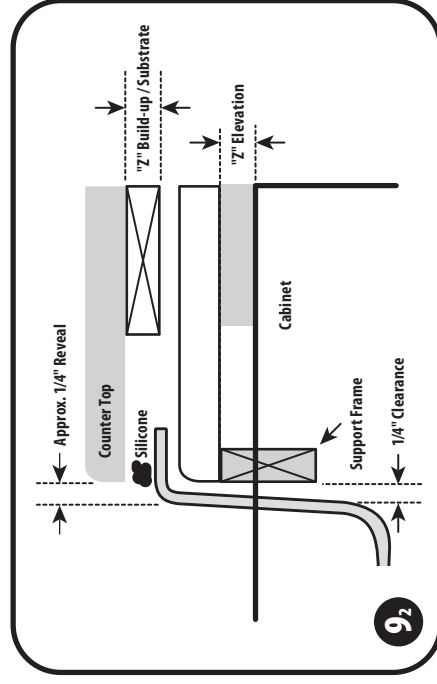
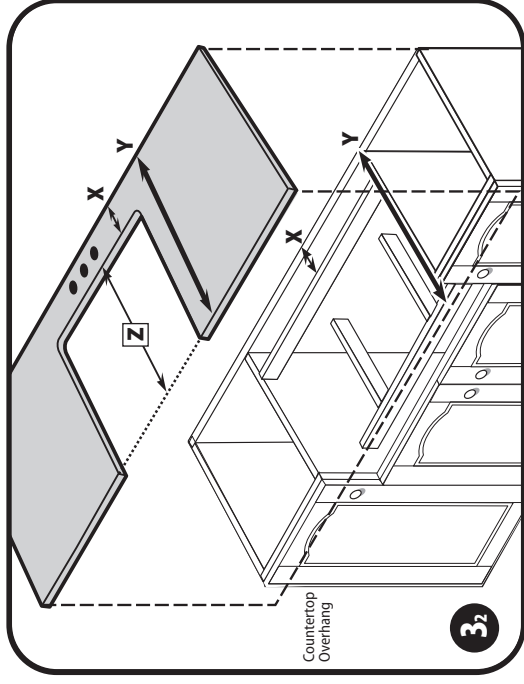


- 2b** Finish the cut-out edge with the desired router bit (ie, chamfer, bullnose, Roman ogee).
- 3a** Mount a support frame to adjacent cabinets.
- A)** The position of the frame members (dimensions X and Y) is determined by the sink cut-out location (see figure). Check front to back dimensions for the sink cut out to ensure adequate clearance for the faucet and possible use of a flip tray.
- B)** The elevation of the support frame (dimension Z) will be determined by the material thickness of the countertop build-up, or substrate.
- 4a** Assemble sink strainers to sink.
- 5a** Clean sink rim and countertop mating surface with solvent.
- 6a** Apply a continuous (translucent color) bead of silicone around the sink rim.
- 7a** Drop sink into opening of support members.
- 8a** Lay countertop onto cabinets.
- 9a** Align the sink to the cut-out so that a uniform reveal of approximately 1/4" shows around the periphery of the cut-out.



Care Instructions: "The Do's"

The best form of maintenance is frequent, regular cleaning. A little bit of cleaning on a regular basis is preferable to a major cleaning on a sporadic basis.

The best method of preventative maintenance is to ensure that the sink is clean, dry and exposed to room atmosphere when not in use. Rinse and towel dry the sink after each use in order to minimize major cleanups. Keeping it shiny and relatively free of water spots. This is particularly appropriate where water may have a high mineral content.

Keep the sink fixture free of any standing water which may build up mineral deposits. The quality of your water can affect the sink's appearance and this water quality will vary from household to household.

Should a mineral deposit build up over time, use a weak solution of vinegar and water to remove the deposit, followed by flushing the surface with water.

To clean sink, use the mildest cleaning procedure that will do the job effectively.

On the mirror or silk finishes use either a liquid detergent or Peek with a soft cloth.

DO NOT USE ANY ABRASIVE MATERIALS ON A MIRROR OR SILK FINISH.

On non-mirrored finishes use a mild abrasive cleaner such as Old Dutch, Comet or Cameo. Always clean or scrub following the direction of the grain line. Any scrubbing across the grain will show as a scratch. Scrubbing in the same direction as the grain will blend in any surface scratches.

Always rinse the sink after using a cleaning agent, and wipe the sink dry to discourage any water spotting.

Care Instructions: "The Don'ts"

Steel wool pads should never be used to clean your sink as they will leave a residue of small iron particles. They may not even be readily visible, but they most certainly will lead to rusting and corrosion of the sink.

For similar reasons do not leave any mild steel or cast iron cookware or implements anywhere on the sink for extended periods of time. The combined presence of iron and moisture with stainless steel can only lead to surface corrosion and staining of the sink.

Do not leave rubber dish mats, wet sponges or cleaning pads in the sink overnight as they will trap water underneath which could lead to staining and discoloration of the sink surface. The unique properties of stainless steel are dependent upon exposure of the surface to the atmosphere.

Never use abrasive pads or cleaners on the mirror or silk finishes of the sink. They will scratch the finish.

THIS INCLUDES SCOTCHBRITE® PADS!

Scotchbrite pads may be used on the radiant brushed or lustre finishes but only by scrubbing lightly and only in the direction of the grain lines in the finish.

Do not use chlorine bleach in your stainless steel sink, as chlorine will attack the protective layer that makes stainless steel truly stainless. The risk of damage is proportional to the concentration of the chlorine and the duration of exposure between the sink and the chlorine agent. Always dilute any antibacterial product used and wipe up any spills.

Note: some antibacterial soaps may contain chlorine compounds.

Any accidental contact of the sink with photographic chemicals or soldering flux should be addressed by an immediate rinsing and cleaning of the sink.

Certain foods such as pickles, mayonnaise, mustard and salt laden foodstuffs can cause pitting of the sink surface if left unattended for prolonged periods.

LIMITED LIFETIME WARRANTY

Products are warranted to be free from defects in materials and workmanship for the following period: from the date of sale to the user. This warranty does not cover:

1. Any obligation other than the replacement of defective parts when presented to the selling distributor, together with proof of purchase during the warranty period.
2. Any labor charges, removal and reinstallation expense, freight or postage, or any incidental or consequential damages resulting from any defective product.
3. Products classified as "accessories."

This warranty shall be voided by any of the following:

1. Modification to this product.
2. Improper installation, care or maintenance of the product.
3. Use of product for any purpose other than that for which specifically intended.

This warranty supersedes all other warranties, expressed or implied.

The foregoing warranties are exclusive and made only to the Buyer. NO OTHER WARRANTY, WHETHER EXPRESSED, IMPLIED, OR STATUTORY INCLUDING ANY WARRANTY OF MERCHANTABILITY OF FITNESS FOR A PARTICULAR PURPOSE SHALL EXIST IN CONNECTION WITH ANY OF THE GOODS OR SERVICES SUPPLIED HEREUNDER, AND ALL SUCH WARRANTIES ARE HEREBY EXPRESSLY EXCLUDED. No employee, agent or other person is authorized to give any warranties in addition to or different from those herein given to assume any other liability in connection with any of its products except in writing which is signed by an officer and expressly and intentionally gives such warranties or assumes such liability.

Scotchbrite is a registered trademark of 3M.

www.frankeUSA.com

© Copyright 2012 Franke USA.



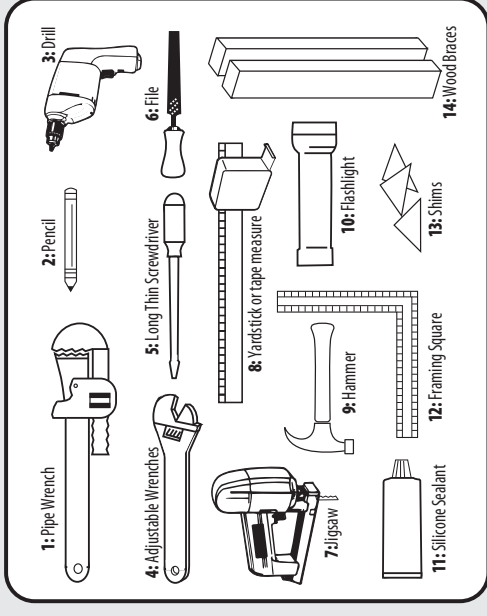
FARMHOUSE UNDERMOUNT SINK INSTALLATION INSTRUCTIONS

Please read these instructions before you begin installation.

REQUIRED TOOLS

The few tools required are not specialized or expensive. All are probably in your tool box or your neighbors. Here is what you will need:

1. Pipe wrench if steel pipe used
2. Pencil
3. Drill
4. (2) Adjustable wrenches
5. Long thin screwdriver
6. File
7. Jigsaw
8. Yardstick or measuring tape
9. Hammer
10. Flashlight
11. Tube of silicone sealant for mounting sink
12. Framing square
13. Shims
14. Wood braces



GENERAL ADVICE

1. Unpack the sink and inspect for any shipping damage before starting the installation. Do not install a damaged unit.
2. Franke accepts no liability for damage to the countertop or sink fixture during installation.
3. Installation of the Farmhouse Sink may require custom cabinetry. Franke recommends that an experienced cabinet maker build the new cabinet, or is responsible for modifications to existing cabinets, for this product.
4. To ensure a proper fit between the sink and the cabinet and any support framing, Franke recommends providing the cabinet maker with the actual sink to be installed.
5. Franke provides DXF files for the Farmhouse Sink at www.frankeUSA.com to assist the fabricator/installer when preparing the countertop cut-out. This DXF file was designed to reveal approximately 1/4" of the sink rim. Any variance from this standard is certainly permissible, but must be based upon agreement between the customer and the fabricator/installer.
6. The aesthetics of the installed product is of the utmost importance. Please take the necessary care to ensure that any exposed silicone joints are kept to a minimum, the sink is properly aligned to the cut-out, and excess silicone is cleaned from the sink.
7. The Farmhouse Sink is hand fabricated, and dimensions of the product will vary from one unit to the next. Industry accepted dimensional variance for this type of product is within 1/8".
8. Product specifications are available on our website at www.frankeUSA.com.

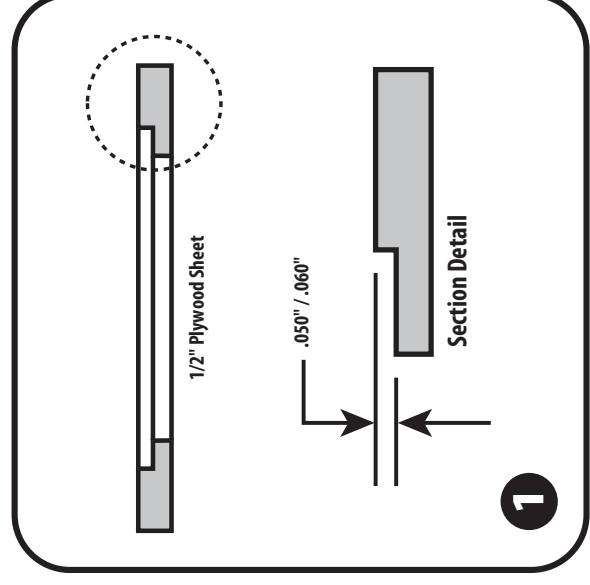
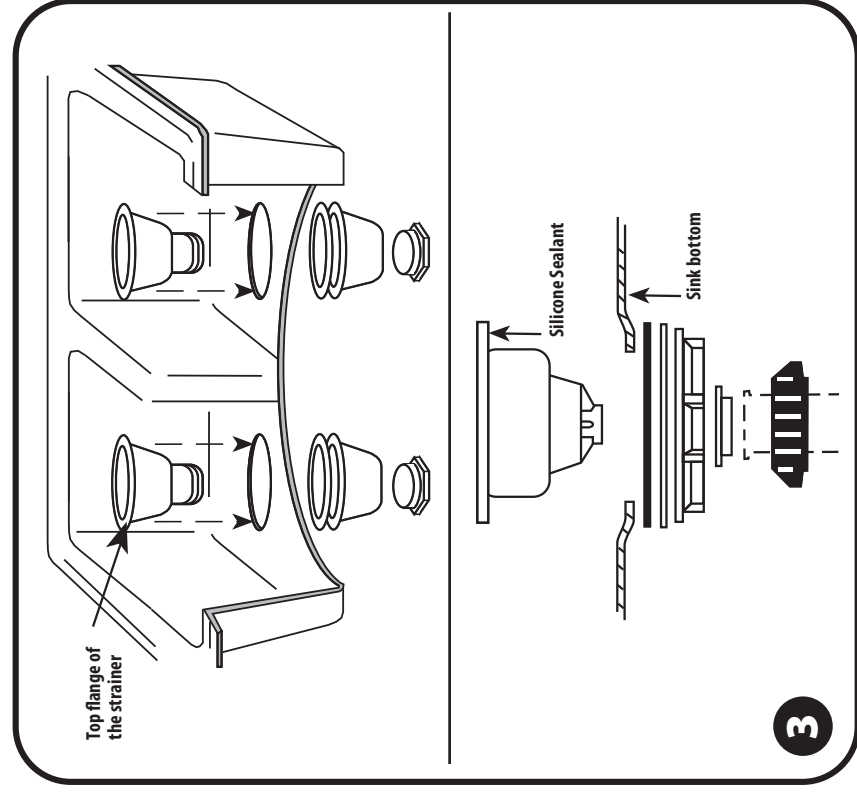
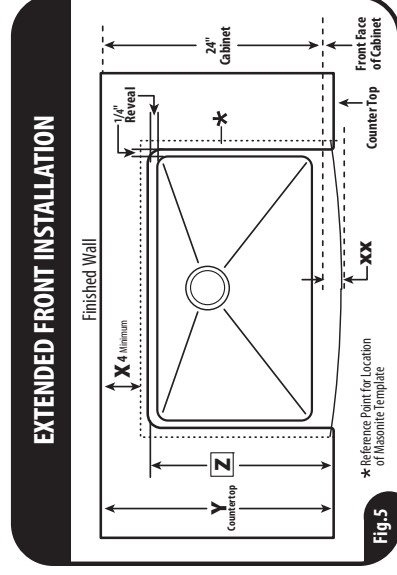
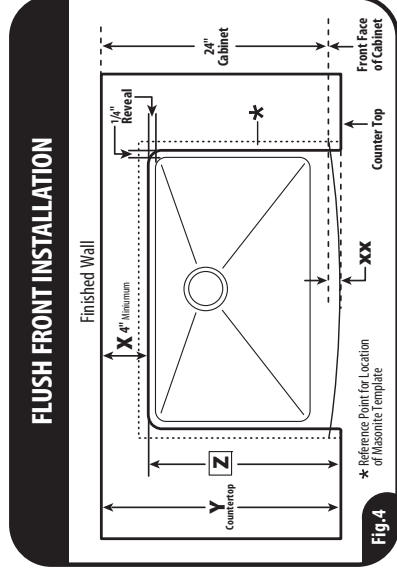
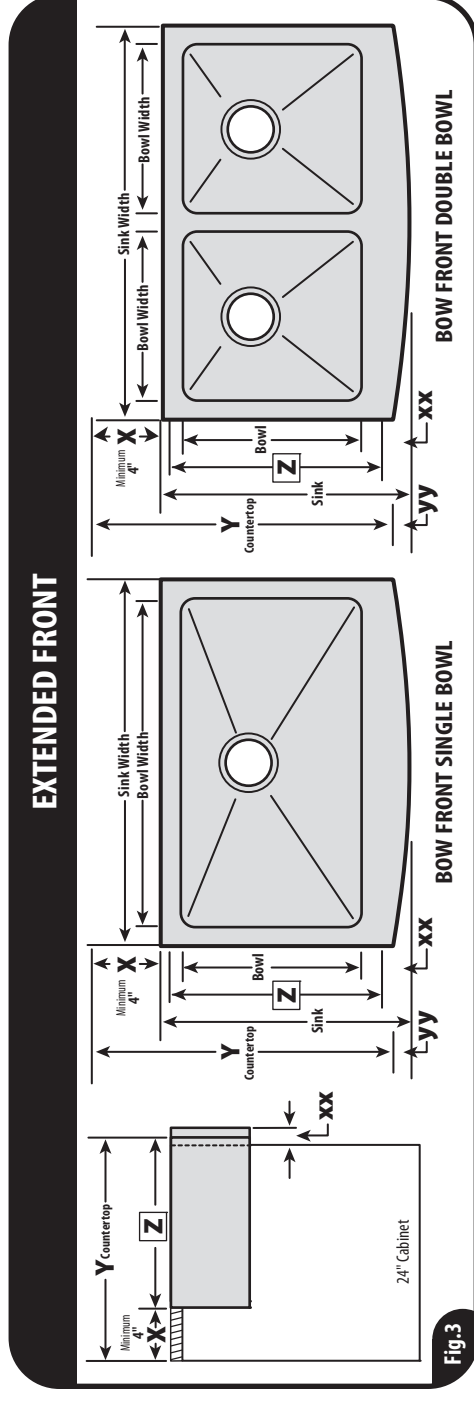
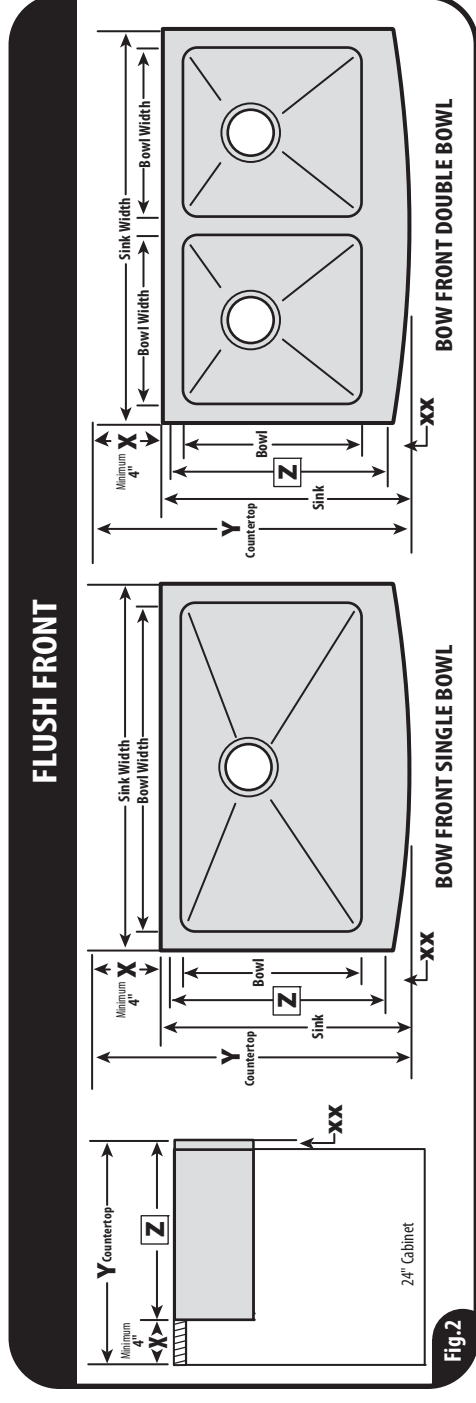
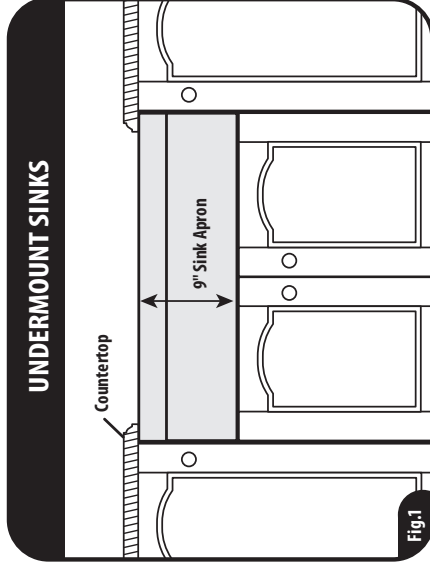
FARMHOUSE SINK INSTALLATION OPTIONS

With appropriate planning, Franke Farmhouse Sinks may be installed several different ways. The sink ... the base cabinet unit ... and the countertop ... must be selected with a specific installation in mind.

The Franke Farmhouse Sink is designed to be installed as an undermount sink (rim of the sink is below the countertop - Fig. 1)

Franke Farmhouse Sinks may be installed with the front corners of the apron flush to adjacent cabinets (Fig. 2.4), or alternatively, the front corners of the apron may extend out beyond the face of adjacent cabinets (Fig. 3.5). We would caution you to make allowance for installation of the faucet. Position the sink so that there is enough clearance behind the sink to allow for a backsplash, and full mobility of the faucet lever.

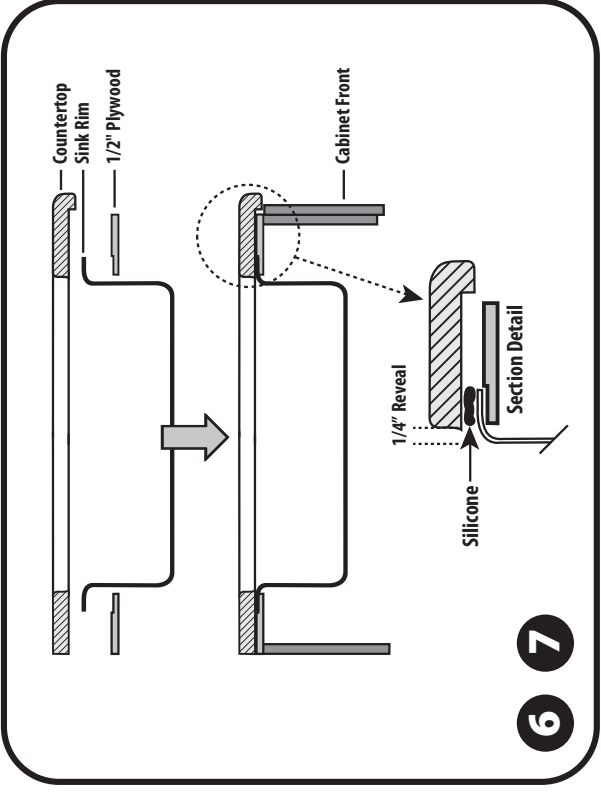
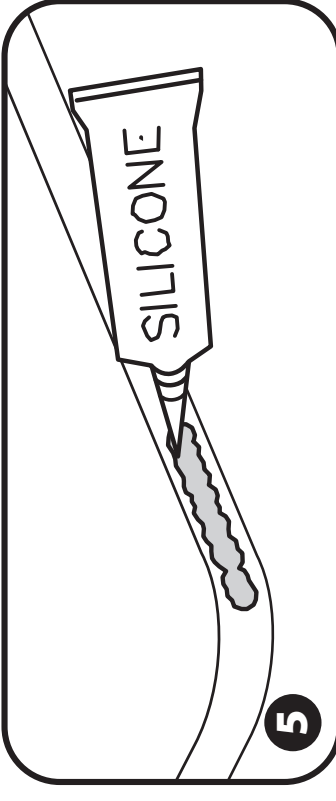
The Farmhouse Sink has a 3/4" flange on the underside of the apron that will support the unit. Dab silicone to the base cabinet frame that will contact the sink flange. Then position the unit either flush with the front face of the cabinet, or extend the unit beyond the front face of the cabinet (Fig. 4, 5).



UNDERMOUNT SINK INSTALLATION

Option 1 ~ Sink Installation Procedure

- 1** Prepare a plywood reinforcement sheet that is the same material thickness as the countertop built-up and big enough to cover the sink base cabinet frame. Franke provides DXF files for the Farmhouse Sink on our website at www.frankeUSA.com. This outline of the countertop cut-out is full scale and can be used to program CNC machinery. The cut-out has been designed to reveal approximately 1/4" of the sink rim. Cut-out the reinforcement sheet to accept the sink. Using a router, recess the plywood by .050" to .060" for approximately 2" back from the cut-out, to accept the sink flange. (#4)
- 2** Place this plywood reinforcement sheet on top of the sink base cabinet unit.
- 3** Assemble sink strainers to sink.
- 4** Clean sink rim and countertop mating surface with solvent.
- 5** Lay sink in plywood reinforcement sheet and apply a continuous (translucent color) bead of silicone around the sink rim.
- 6** Lay the countertop on top of the cabinets and if necessary shift the sink so that it is centered within the sink cut-out.
- 7** Align the sink to the cut-out so that a uniform reveal of approximately 1/4" shows around the periphery of the cut-out.
- 8** Use a non-abrasive cloth and solvent to remove excess silicone that has squeezed out beyond the cut-out edge.



UNDERMOUNT SINK INSTALLATION

Option 2 ~ Sink Installation Procedure

- 1** Franke provides DXF files for the Farmhouse Sink on our website at www.frankeUSA.com. This outline of the countertop cut-out is full scale and can be used to program CNC machinery. The cut-out has been designed to reveal approximately 1/4" of the sink rim.