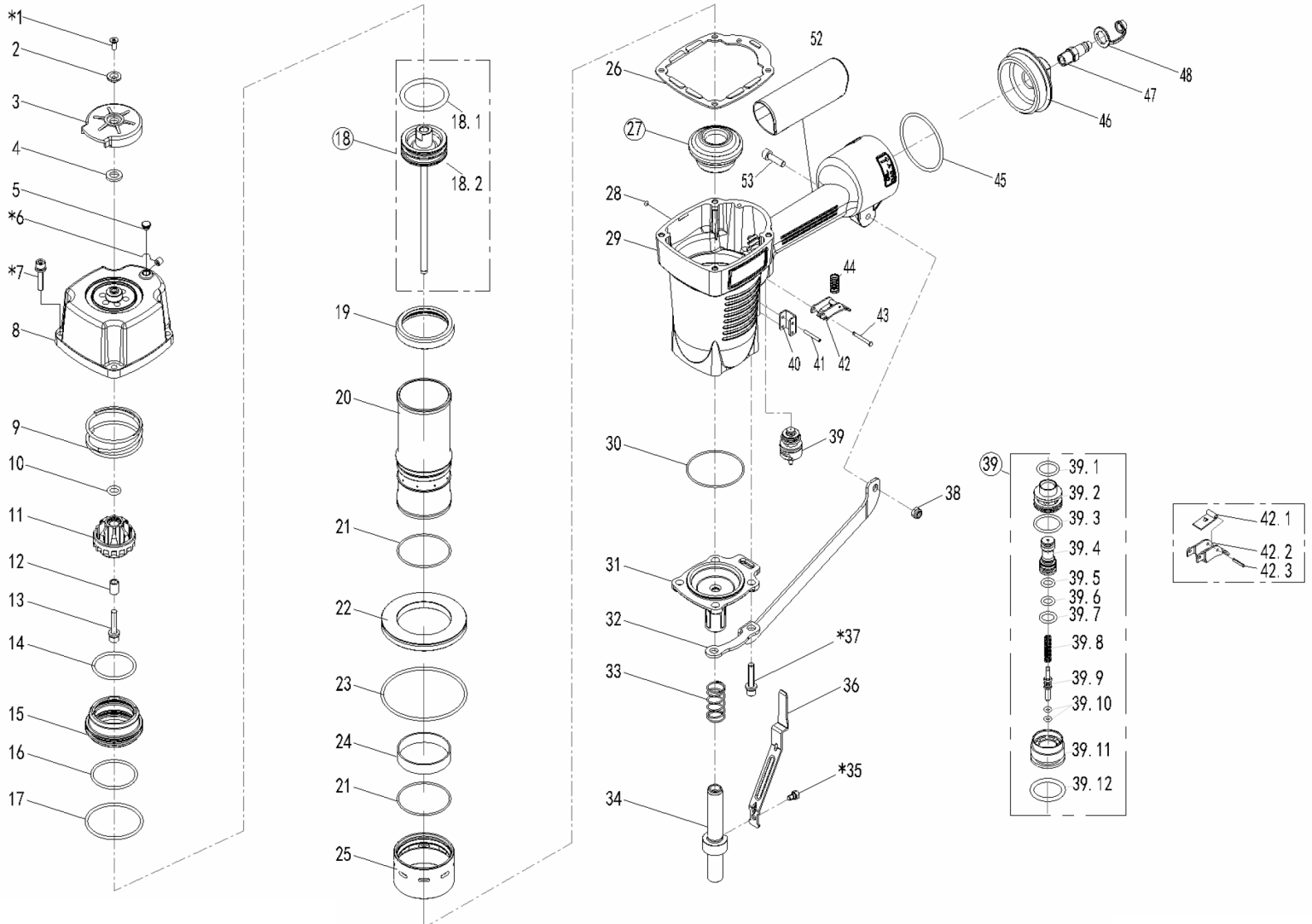




Single Concrete Pinner Model: PSSCP



REPLACEMENT KIT

Kit Model	Kit Description	Part No.
RPSSCPOD	REBUILD O-RING KIT	10, 14, 16, 17, 18.1, 21, 23, 28, 30, 45
	DRIVE BLADE AND BUMPER KIT	18,27
RPFS9TV2	TRIGGER KIT	39