

Brio®



Point of Use Water Dispenser Setup Manual

Model No.: CLPOU320WUVF4

Table of Contents

| | |
|---|-----------|
| Safety Information | 3 |
| Intended Use | 4 |
| Product Features | 4 |
| Indicator Panel Description | 5 |
| Product Dimensions | 5 |
| Package Contents | 5 |
| Materials Needed | 5 |
| Installation | 6 |
| Determine Installation Location | 6 |
| Connect to the Cold Water Supply | 6 |
| Flush the Filters | 7 |
| Install the Filters and Complete the Installation | 8 |
| Operation | 9 |
| Turn the Dispenser On/Off | 9 |
| Dispense Cold Water | 9 |
| Dispense Hot Water and Activate Child Safety Lock | 9 |
| Troubleshooting | 10 |
| Cleaning and Maintenance | 10 |
| Clean the Dispenser | 11 |
| Filter Replacement Schedule | 12 |
| Replace the Filters | 12 |
| Filter Specifications | 12 |
| Care and Maintenance | 13 |
| Warranty | 14 |

Safety Information

WARNING: To reduce risk of injury and property damage, you must read this entire guide before assembling, installing and operating the dispenser.

WARNING: This product dispenses water at very high temperatures. Failure to use properly can cause personal injury. When operating this dispenser, always exercise basic safety precautions, including the following:

- Prior to use, this dispenser must be properly assembled and installed in accordance with this manual.
- For indoor use only. Keep the water dispenser in a dry place away from direct sunlight. Do NOT use outdoors.
- Install and use only on a hard, flat and level surface.
- Do NOT place the water dispenser in an enclosed space or cabinet.
- Do NOT operate the dispenser in the presence of explosive fumes.
- Use only properly grounded outlets.
- Do not use an extension cord.
- Always grasp the plug and pull straight out from the outlet. Never unplug by pulling on the power cord.
- Do NOT use the dispenser if the cord becomes frayed or otherwise damaged. If the supply cord is damaged, it must be replaced by the manufacturer, its service agent or similarly qualified persons in order to avoid a hazard.
- To protect against electric shock, do NOT immerse cord, plug, or any other part of the dispenser in water or other liquids.
- Ensure the water dispenser is unplugged prior to cleaning.
- Never allow children to dispense hot water without proper and direct supervision. Unplug the unit to prevent unsupervised use by children.
- Service should be performed only by a certified technician.
- The appliance must not be cleaned by a water jet and is not suitable for installation in an area where a water jet could be used.

WARNING: Keep ventilation openings, in the appliance enclosure or in the built-in structure, clear of obstruction.

WARNING: Do not use mechanical devices or other means to accelerate the defrosting process, other than those recommended by the manufacturer.

- This appliance should work under environment of temperatures from 4°C~40°C (39°F~104°F) and humidity ≤90%.
- Never turn the machine upside down or lean it more than 45°.
- After turning the dispenser off, allow the dispenser to sit idle for 3 minutes before turning on again.

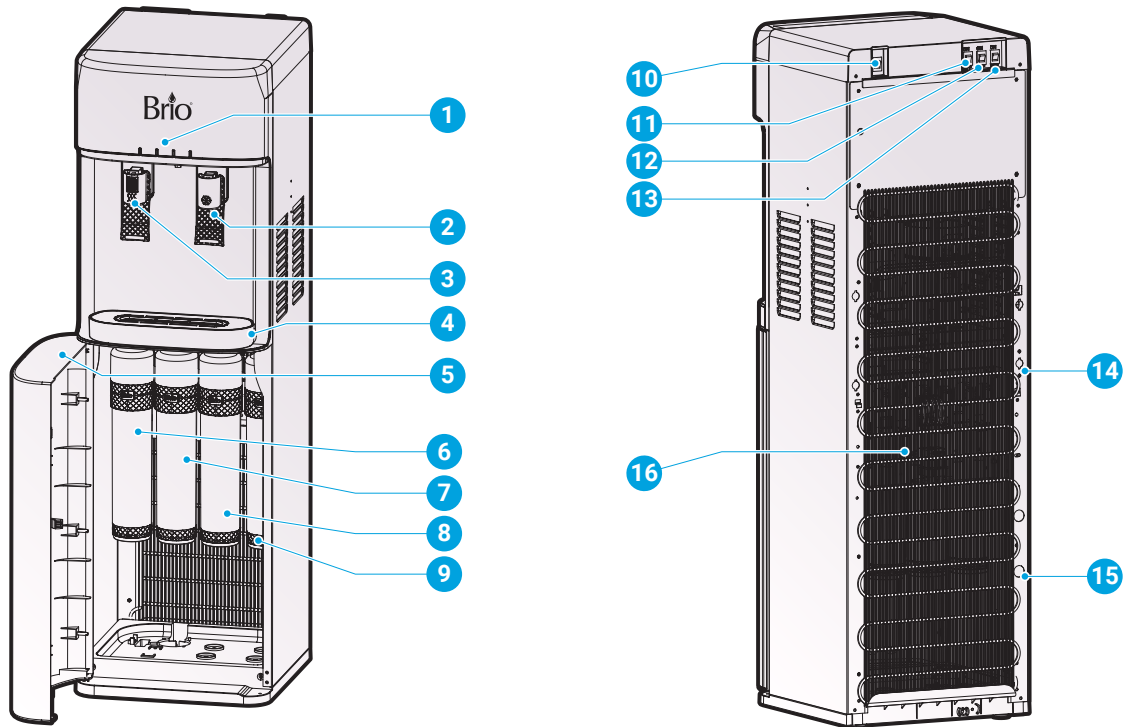
Intended Use

This appliance is intended to be used in household and similar applications such as:

- Staff kitchen areas in shops, offices and other working environments
- Farm houses
- Clients in hotels, motels and other residential type environments
- Bed and breakfast type environments
- Catering and similar non-retail applications

This appliance is not intended for use by persons (including children) with reduced physical, sensory or mental capabilities, or lack of experience and knowledge, unless they have been given supervision or instruction concerning use of the appliance by a person responsible for their safety.

Product Features



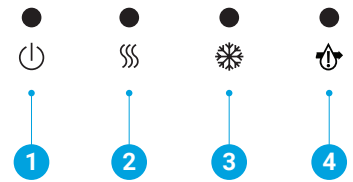
| Part | Description |
|------|--------------------------------------|
| 1 | Indicator panel |
| 2 | Cold water tap |
| 3 | Hot water tap with child safety lock |
| 4 | Drip tray |
| 5 | Water filter cabinet |
| 6 | Sediment filter |
| 7 | Carbon block filter |
| 8 | Ultra-filtration filter |

| Part | Description |
|------|---------------------|
| 9 | Post carbon filter |
| 10 | Nightlight switch |
| 11 | Filter reset switch |
| 12 | Cold water switch |
| 13 | Hot water switch |
| 14 | Drain outlet |
| 15 | Water inlet |
| 16 | Condenser |

Indicator Panel Description

1. Power indicator light – When illuminated, indicates that the dispenser is on.
2. Hot water indicator light – When illuminated, indicates that the dispenser is heating water.
3. Cold water indicator light – When illuminated, indicates that the dispenser is cooling water.
4. Water indicator light – When blinking, indicates that the dispenser is not connected to a water line or is not receiving water from the water line.

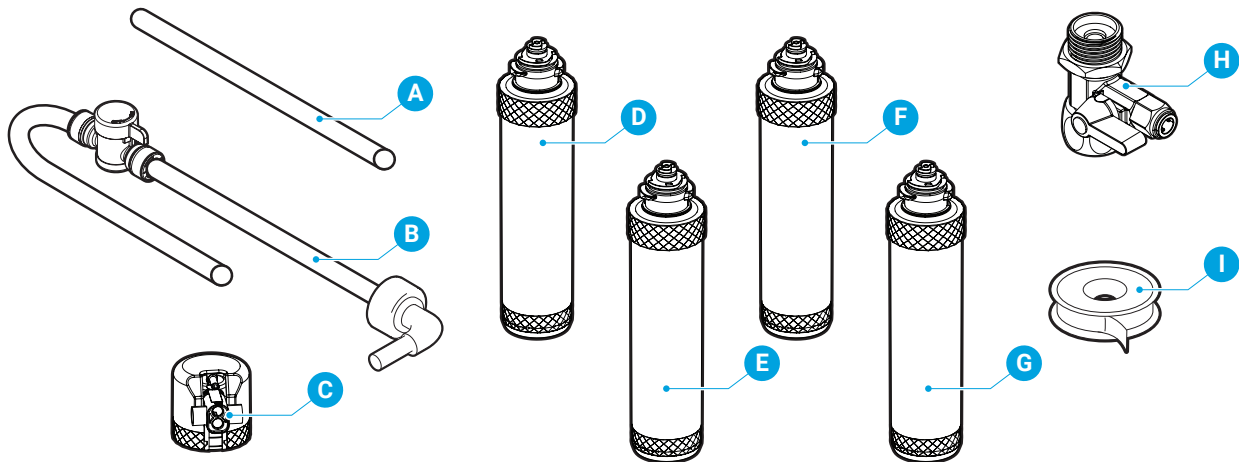
Brio®



Product Dimensions

| Height | Width | Depth |
|---------------------|--------------------|--------------------|
| 104.2 cm (41.0 in.) | 31.1 cm (12.2 in.) | 35.4 cm (13.9 in.) |

Package Contents



| Part | Description | Quantity |
|------|--------------------------------------|----------|
| A | Filter flushing tube | 1 |
| B | Shut-off valve tube (7 ft.) | 1 |
| C | Filter housing (for filter flushing) | 1 |
| D | Sediment filter | 1 |
| E | Carbon filter | 1 |

| Part | Description | Quantity |
|------|-------------------------------------|----------|
| F | Ultra-filtration filter | 1 |
| G | Post carbon filter | 1 |
| H | Feed water adapter (with extra nut) | 1 |
| I | Plumber's tape | 1 |

Materials Needed



Wrench

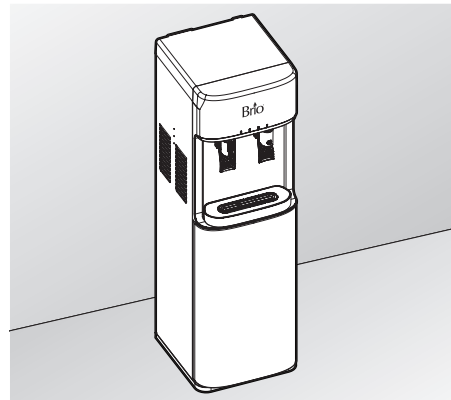
Installation

1. Determine Installation Location

- A. Place the dispenser upright.
- B. Locate the dispenser on a hard and level surface in a cool shaded location near a grounded wall outlet.

NOTICE: Do NOT plug in the power cord until the entire installation section is completed.

- C. Position the back of the dispenser no closer than 20 cm (8 in.) from a wall and permit free airflow between the wall and water dispenser.

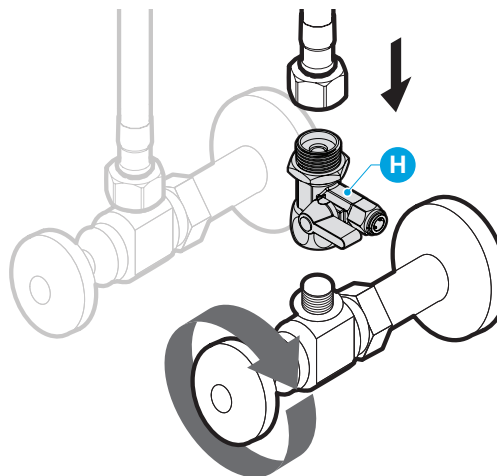


2. Connect to the Cold Water Supply

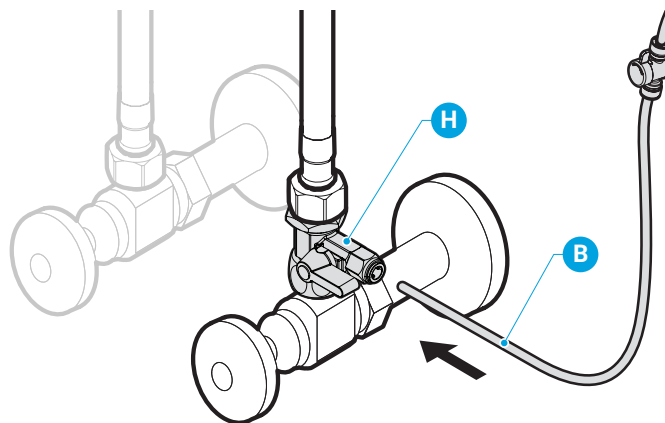
CAUTION: DO NOT CONNECT THIS WATER LINE TO A HOT WATER SUPPLY LINE. The water supply to the unit MUST be from the COLD WATER LINE. Using HOT WATER will severely damage your filters.

- A. Turn off and then disconnect the current cold water supply line.
- B. Connect the feed water adapter (H) to the cold water supply line.
- C. Connect the cold water supply line on top of the feed water adapter (H).

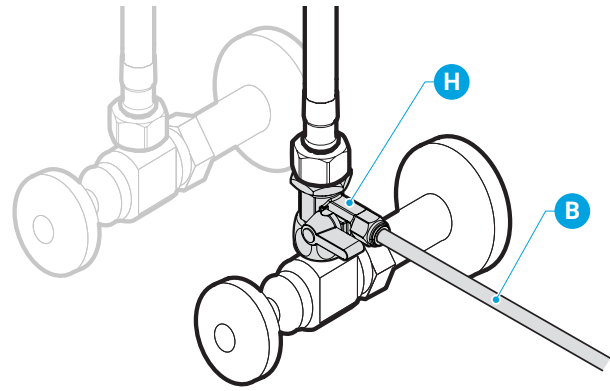
NOTE: An extra adapter nut is included on top of the feed water adapter (H) to attach to a 3/8 in. or 1/2 in. feed plumbing line.



- D. Insert the shut-off valve with tube (B) straight into the quick connector piece of the feed water adapter (H).



- E. Gently tug on the tube (B) to ensure a secure connection with the feed water adapter (H).

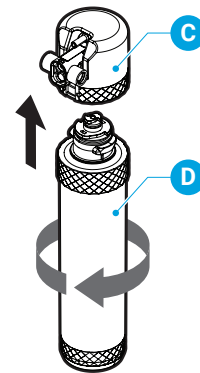


3. Flush the Filters

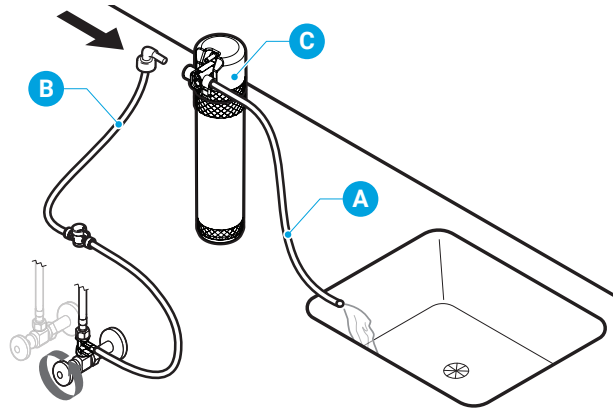
IMPORTANT: Follow this procedure every time you replace your filters.

IMPORTANT: Ensure the water supply is off before you begin.

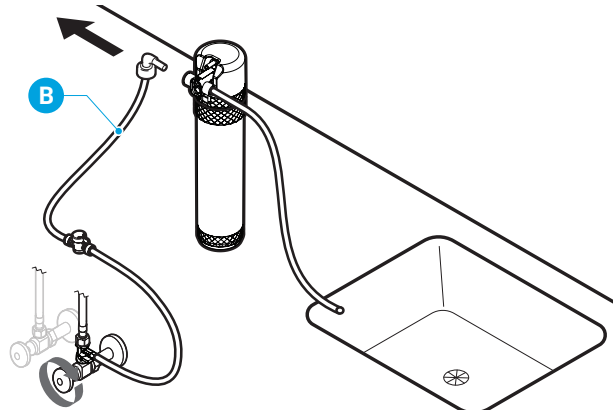
- A. Connect a filter (D) to the filter housing (C) by twisting the filter (D) clockwise.



- B. Connect the tip of the shut-off valve tube (B) to the left side of the filter housing (C).
- C. Connect the filter flushing tube (A) to the right side of the filter housing (C) and lay the open end of the filter flushing tube (A) over a sink or receptacle to collect water.

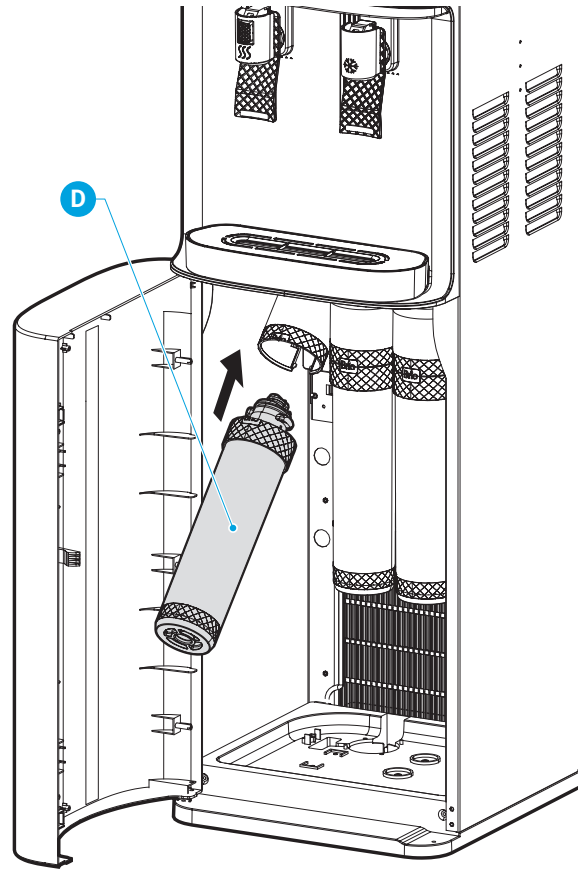


- D. Flush each filter for a minimum of 5 minutes. The recommended rate is 1.5-3 gallons of water (about 10 minutes) or until the water is clear in appearance.
- E. Shut off the valve at the water source and remove the filter housing from the tube (B).

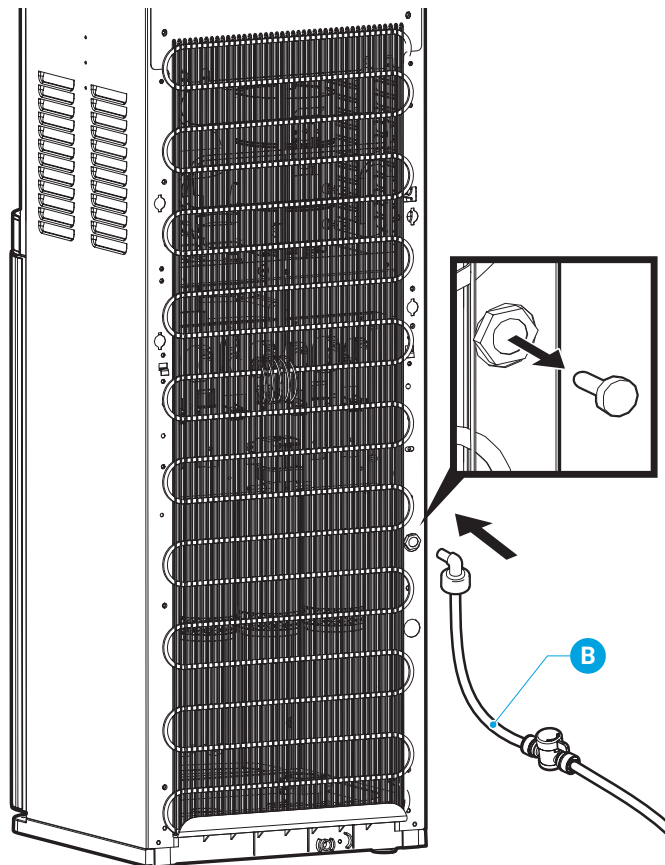


4. Install the Filters and Complete the Installation

- A. After flushing, twist each filter (D-G) clockwise into the filter housings located inside the dispenser cabinet. The sediment filter (D) goes on the left, followed by the carbon filter, the ultra-filtration filter, and finally, the post carbon filter.



- B. Remove the safety plug from the water inlet hole on the back of the dispenser by pushing in the inlet hole collar and then gently pulling out the plug.
- C. Connect the tip of the shut-off valve tube (B) into the water inlet hole on the back of the dispenser. Then turn on the main water supply and ensure the valve in the tube (B) is on.



Operation

IMPORTANT: This unit has been tested and sanitized prior to packing and shipping. During transit, dust and odors can accumulate in the tank and lines. Dispense and dispose at least one quart of water prior to drinking any water.

Turn the Dispenser On/Off

IMPORTANT: Before you activate the hot and cold switches, ensure water has filled the tanks inside the dispenser in order to prevent dry heating.

1. Plug in the dispenser and turn the On/Off switch to On.
2. Run water through the cold and hot water taps until water begins to dispense.
3. To power on the cooling system, flip the cooling switch to the On position.
4. To power on the heating system, flip the heating switch to the On position.

Dispense Cold Water

NOTE: Water will take approximately 1 hour after plugging in and turning on to become completely chilled. The cooling light will turn off once the water has been fully chilled.

1. Press a drinking glass or container against the cold water tap to dispense cold water.
2. Release when your container is full.

Dispense Hot Water and Activate Child Safety Lock

CAUTION: This unit dispenses water at temperatures that can cause severe burns. Avoid direct contact with hot water. Keep children and pets away from the unit while dispensing. Never allow children to dispense hot water without proper and direct supervision. Disable the heating feature by switching the heating convenience switch to the Off position.

NOTE: Water will take approximately 15-20 minutes after plugging in and turning on to reach its hottest temperature. The heating light will turn off once the water has been fully heated.

1. This water dispenser is equipped with a child safety feature in order to prevent inadvertent dispensing. To enable dispensing of hot water, press and hold the red lock button and then press your mug or container against the paddle directly beneath the red lock button.
2. Release the paddle once your container is full.

Troubleshooting

| Problem | Solution |
|--------------------------------------|---|
| The cold water is not cold. | <ul style="list-style-type: none"> • It takes up to one hour after setup to dispense cold water. • Make sure the power cord is properly connected to a working outlet. • Make sure the back of the dispenser is at least 20 cm from a wall and there is free airflow on all 20 cm sides of the dispenser. • Make sure green power switch on back of dispenser is On. • If water still isn't cold, call customer service at +1 844-257-4103 for assistance. |
| The hot water is not hot. | <ul style="list-style-type: none"> • It takes 15-20 minutes after setup to dispense hot water. • Make sure the power cord is properly connected to a working outlet. • Make sure red power switch on back of dispenser is On. |
| The nightlight is not working. | <ul style="list-style-type: none"> • Make sure the power cord is properly connected to a working outlet • Make sure the nightlight power switch on back of dispenser is On. |
| The dispenser is noisy. | <ul style="list-style-type: none"> • Ensure the dispenser is located on a level surface. • The heating tube may be generating a slight noise. This is normal. |
| There is water leakage. | <p>If the 3 lights are flashing, a leak was detected.</p> <ul style="list-style-type: none"> • The pipe is not connected properly. Check all water connections and tubes to ensure everything is connected properly. • The water and PE pipes have burst. Replace the water and PE pipe. |
| The machine is not dispensing water. | <ul style="list-style-type: none"> • The dispenser has become too cold and the lines are blocked by ice. Turn the cooling switch off for at least 4 hours to allow the water in the lines to thaw. |

Cleaning and Maintenance

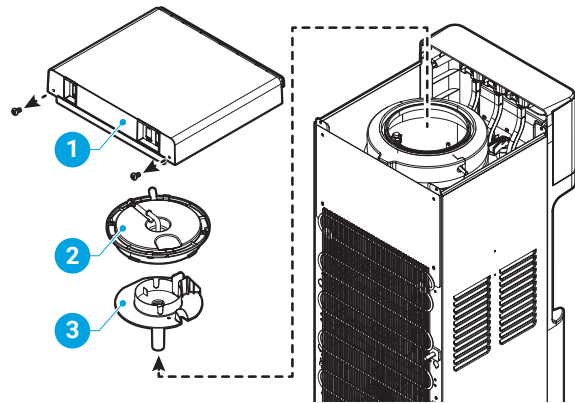
| Task | Frequency | Instruction |
|----------------------------|----------------|---|
| Sanitizing | Every 3 months | Use a disinfectant, purchased separately, following directions from manufacturer for proper amount to use. Use the Cleaning the Dispenser directions when sanitizing. |
| Removing minerals deposits | Every 6 months | Mix 4 liters water with 200g citric acid crystals, inject into the machine and make sure the water can flow out of the hot water tap. Switch on the power and allow it to heat for about 10 minutes. After 30 minutes, drain the liquid and clean it with water, dispensing two or three times. |

Clean the Dispenser

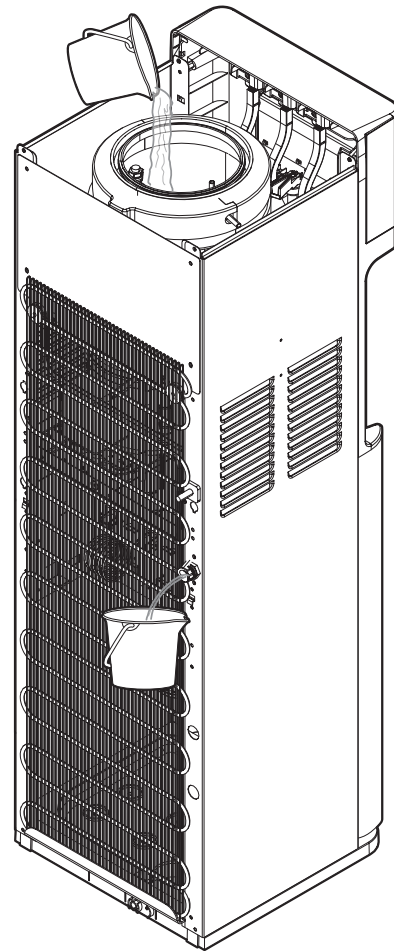
CAUTION: Before cleaning, make sure the power switch is in the O (off) position and unplug the water dispenser.

IMPORTANT: This dispenser contains UV technology that will help keep your dispenser clean. However, if you do need to clean your dispenser for any reason, follow these steps:

1. Remove remaining water from reservoirs in the dispenser by dispensing from the hot and cold taps into a pitcher or bucket.
2. Remove the top cover (1), cold tank cover (2), and separator (3).
3. Rinse off the separator (3) in the sink and wipe clean with a soft cloth.



4. Create a cleaning solution of 0.3 gallons vinegar and 0.3 gallons hot tap water. Allow the cleaning solution to fill the reservoir and sit for at least 10 minutes.
5. Place a large bucket beneath the drain outlet at the back of the dispenser.
6. Remove the drain cover and drain the water.
7. Reinstall the drain cover, separator, cold tank cover, and top cover after draining. Ensure all water supply connections are connected securely.
8. Plug the dispenser back into the outlet and turn on.



Filter Replacement Schedule

| Filter Type | Replacement Schedule | Function |
|------------------|---------------------------|---|
| Carbon | 6 months or 950 gallons | Reduces chlorine, taste and odor, lead and cysts. |
| Sediment | 6 months or 950 gallons | Performs a coarse filtration of original water. Removes mud, sand, iron, rust, and suspensions, and impurities. |
| Ultra-filtration | 9 months or 1,425 gallons | Removes suspended solids, bacteria, colloidal silica, pyrogens, and large organic materials. |
| Post carbon | 6 months or 950 gallons | Taste and impurity removal. |

Replace the Filters

IMPORTANT: Only replace the filters with new filters designed for this dispenser. Any other type of filter will damage the machine and void any warranty.

When a filter is approaching the end of its life, the red indicator light starts to blink. When the filter has reached the end of its life, the indicator light remains red. To change filters:

1. Shut off the water supply.
2. Remove the old filters and replace with new filters. Ensure the sediment filter is on the left and the carbon block filter is on the right.
3. To flush your new filters, follow the instructions in Step 5 - Flush the Filters and Complete the Installation.
4. Press the filter reset button until the red indicator light turns off.

Filter Specifications

Sediment Filter

(Sediment, Dirt, and Rust Removal)

| | |
|-----------------|---------------|
| Filter Capacity | 950 Gallons |
| Flow Rate | 0.8 GPM |
| Suggested PSI | 14.5 - 58 psi |
| Temperature | 33 - 100 °F |

Ultra-filtration Filter

(Removes suspended solids, bacteria, colloidal silica, pyrogens, and large organic materials)

| | |
|-----------------|---------------|
| Filter Capacity | 1,425 Gallons |
| Flow Rate | 0.5 GPM |
| Suggested PSI | 14.5 - 58 psi |
| Temperature | 33 - 100 °F |

Carbon Filter

(Taste and Impurity Removal)

| | |
|-----------------|---------------|
| Filter Capacity | 950 Gallons |
| Flow Rate | 0.8 GPM |
| Suggested PSI | 14.5 - 58 psi |
| Temperature | 33 - 100 °F |

Post Carbon Filter

(Taste and Impurity Removal)

| | |
|-----------------|---------------|
| Filter Capacity | 950 Gallons |
| Flow Rate | 0.8 GPM |
| Suggested PSI | 14.5 - 58 psi |
| Temperature | 33 - 100 °F |

Care and Maintenance

- Keep this dispenser in a dry and cool place and avoid direct sunshine.
- Ensure the back of the dispenser is at least 20 cm (8 in.) away from the wall.
- Never put the dispenser on paper or foam, which may store water and then cause creepage. Never put anything flammable beside this machine.
- Do not use the dispenser outdoors or in a place that can be splashed by water.
- If the dispenser is not in use for longer than a 24-hour period, turn off the heating switch or the refrigerating switch to save power and drain any remaining water.
- If the water supply is cut off, shut off the water supply and turn the dispenser off. When the water supply is back on, re-open the water supply to the dispenser, turn the dispenser on, and allow the dispenser to run in order to discharge sediment.

Warranty

Brio (“Vendor”) warrants to the original purchaser of the Brio Water Coolers (the “Product”), and to no other person, that if the Product is assembled and operated in accordance with the printed instructions accompanying it, then for a period of one (1) year from the date of purchase, all parts in the Product shall be free from defects in material and workmanship. This Limited Warranty shall be limited to repair or replacement of parts, which prove defective under normal use and service and which Vendor shall determine in its reasonable discretion upon examination to be defective. To take advantage of this Limited Warranty, please follow these steps:

1. Please retain your sales slip or invoice, as Vendor may require reasonable proof of your date of purchase.
2. Contact Vendor’s Customer Service Department using the contact information listed below.
3. Return parts to Vendor, per Vendor’s instructions, at your cost and expense.
4. Upon receipt by Vendor, Vendor shall advise you in writing whether a defect covered by this Limited Warranty exists in any returned part and whether your claim has been approved or denied.
5. Upon Vendor’s approval of your claim, Vendor will replace such defective part without charge to you.

WHAT THIS LIMITED WARRANTY DOES NOT COVER: This Limited Warranty does not cover any failures or operating difficulties of the Product due to accident, abuse, misuse, alteration, misapplication, improper installation or improper maintenance or service by you or any third party, or failure to perform normal and routine maintenance on the Product, as set out in the User’s Manual. In addition, this Limited Warranty does not cover damages to the finish, such as scratches, dents, discoloration or rust after purchase.

This Limited Warranty is the only express warranty given on the Product and is in lieu of all other express warranties. Vendor disclaims all warranties for products that are purchased from seller other than authorized retailers or distributors. THIS LIMITED WARRANTY RESTRICTS THE DURATION OF ANY AND ALL IMPLIED WARRANTIES, INCLUDING WITHOUT LIMITATION, THE IMPLIED WARRANTY OF MERCHANTABILITY AND FITNESS FOR A PARTICULAR PURPOSE TO THE ONE (1) YEAR TERM OF THIS LIMITED WARRANTY. UPON THE EXPIRATION OF THE ONE (1) YEAR TERM OF THIS LIMITED WARRANTY, VENDOR DISCLAIMS ANY AND ALL IMPLIED WARRANTIES, INCLUDING WITHOUT LIMITATION THE IMPLIED WARRANTIES OF MERCHANTABILITY AND FITNESS FOR A PARTICULAR PURPOSE, THE PRODUCT BEING THUS SOLD AS-IS, WITH ALL FAULTS. FURTHER, VENDOR SHALL HAVE NO LIABILITY WHATSOEVER TO PURCHASER OR ANY THIRD PARTY FOR ANY SPECIAL, INDIRECT, PUNITIVE, INCIDENTAL, OR CONSEQUENTIAL DAMAGES. OTHER THAN THIS LIMITED WARRANTY, THERE ARE NO WARRANTIES WHICH EXTEND BEYOND THE DESCRIPTION ON THE FACE HEREOF. Vendor assumes no responsibility for any defects caused by third parties. This Limited Warranty gives you specific legal rights, and you may have other rights which vary from state to state. State law may also override statements in this Limited Warranty regarding the restriction on the duration of implied warranties. Some jurisdictions do not allow exclusion or limitation of special, incidental or consequential damages, or limitations on how long a warranty lasts, so the above exclusion and limitations may not apply to you.

Brio[®]

Contact Us

Call: +1 844-257-4103