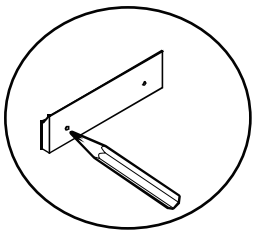


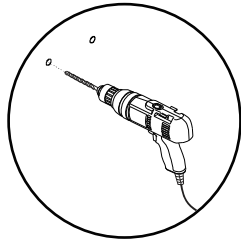
Ancerre

D E S I G N S

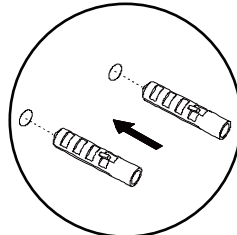
VTS-AUDREY-60



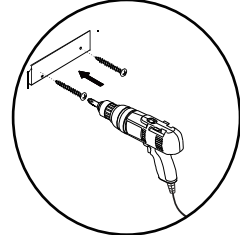
A



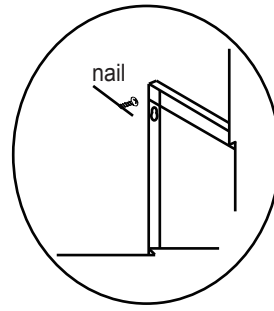
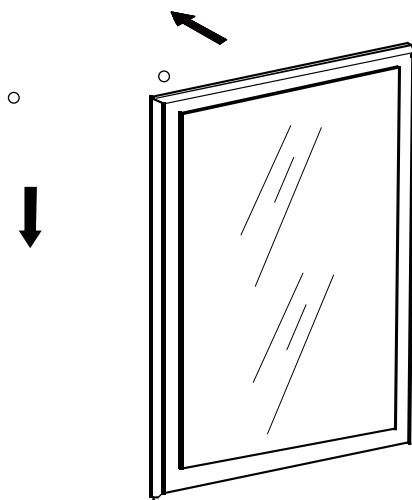
B



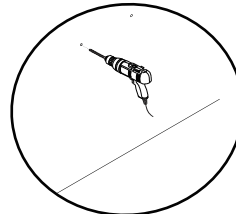
C



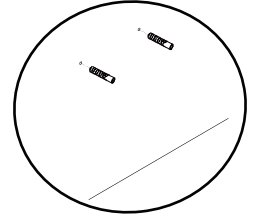
D



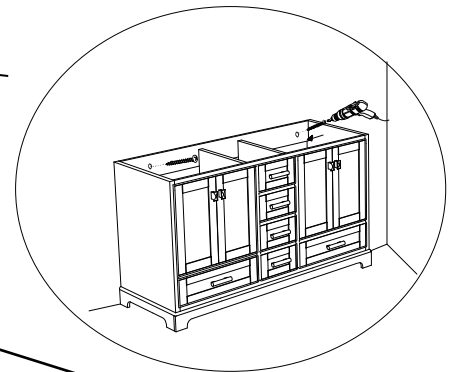
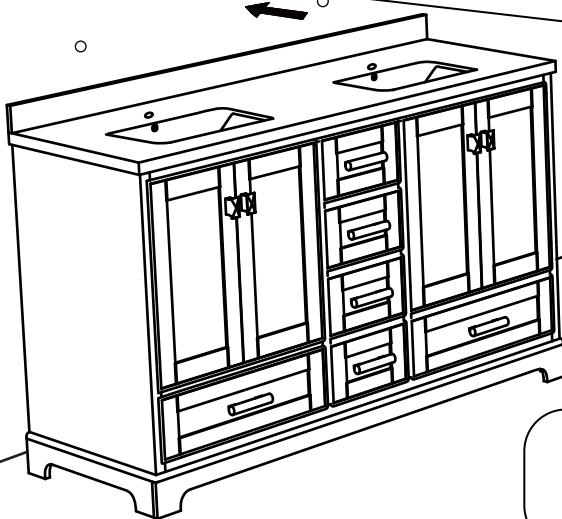
E



F

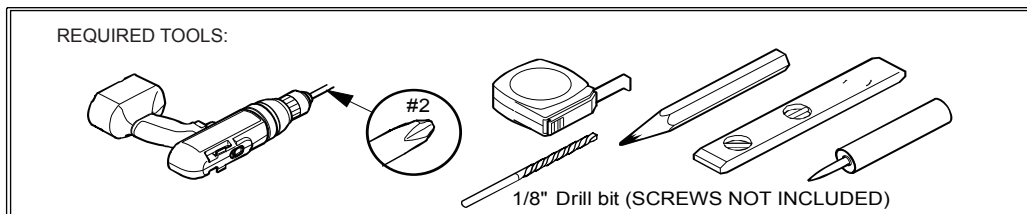


G*



H

Adjustable leg leveler.
Adjust for level.



*SECURE SCREW TO STUDS WHEN POSSIBLE