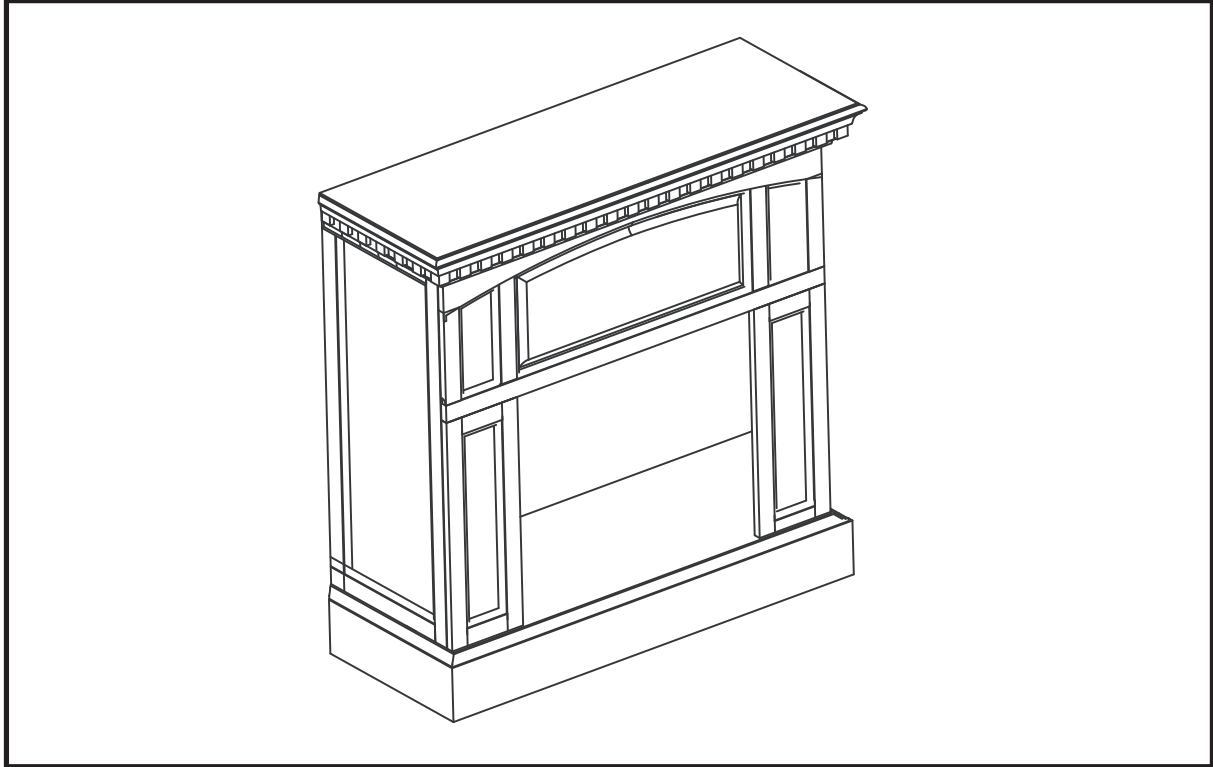


WOOD FIREPLACE MANTEL

23WM302

WOOD MANTEL ASSEMBLY INSTRUCTIONS



Part	PARTS LIST Description	Quantity
	<i>PARTS</i>	
A	Hearth/Base	1
B	Left Front Panel	1
C	Right Front Panel	1
D	Center Front Panel	1
E	Left Side Panel	1
F	Right Side Panel	1
G	Mantel/Top	1
	<i>HARDWARE</i>	
L	Bolt 1/4" x 1 1/4"	23
M	Washer	23
N	Wood Dowel	12

Twin-Star International, Inc.
Delray Beach, FL 33445

E-1

Made in China
Printed in China

For Customer Service:

E-mail: parts@twinstarhome.com
In English call: 866-661-1218
In French call: 866-374-9203
In Spanish call: 866-661-1218

ATTENTION

ALSO Requires - Electric
Fireplace Insert with Heater

PLEASE READ AND FOLLOW ALL SAFETY TIPS

GETTING STARTED

1. Before assembly, CAREFULLY use scissors or utility knife to cut and unwrap all parts. Make sure you do not discard the hardware.
2. Make sure that you have all the parts listed. If you are missing any parts please email Customer Service: parts@twinstarhome.com or call 1-866-661-1218 in English, 1-866-374-9203 in French or 1-866-661-1218 in Spanish. Please identify the parts you need and model number. Make sure to include your name and address.



CAUTION:

DO NOT MOVE MANTEL OR INSERT WHILE PLUGGED INTO POWER SUPPLY.

HELPFUL HINTS

- Some steps are more easily handled with two adults.
- Attach the fireplace insert to the completed wood mantel last. **INSTALL INSERT IN FROM THE BACK OF THE FIREPLACE SO AS NOT TO SCRATCH THE HEARTH/BASE.**
- Use care in assembling your new fireplace, take your time and use the hardware provided and a quality Phillips head screwdriver. **NEVER OVER TIGHTEN BOLTS.**
- Do not sit on top of the mantel.

CARE & CLEANING

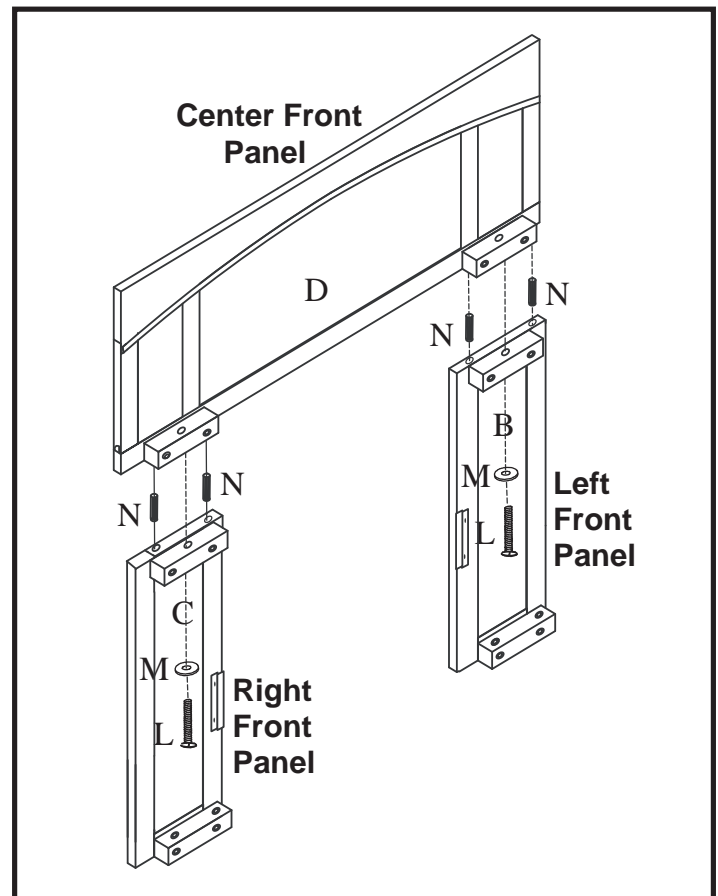
1. Dust your fireplace regularly with a soft non-lint producing cloth or household dusting product.
2. You can clean your fireplace with a gentle non-abrasive household cleaner. Make sure to dry your fireplace immediately with a soft cloth or towel.

For a complete tight fit every bolt should have a flat washer. First slide a flat washer onto the bolt. Your bolt is now ready for use.

Now it is time to assemble your Fireplace. All panels are labeled Left and Right as viewed from the front of unit.

1. Locate the Center Front Panel (D), Right Front Panel (C) and Left Front Panel (B) and set out face down on a scratch free surface.
2. Insert one Wood Dowel (N) into each of the pre-drilled holes.
3. Push the Right Front Panel and Left Front Panel snug to the Center Panel. Make sure the Wood Dowels are seated in the pre-drilled holes. Insert Bolts (L) and Washers (M) into the holes in the mounting blocks.

HAND TIGHTEN ONLY.

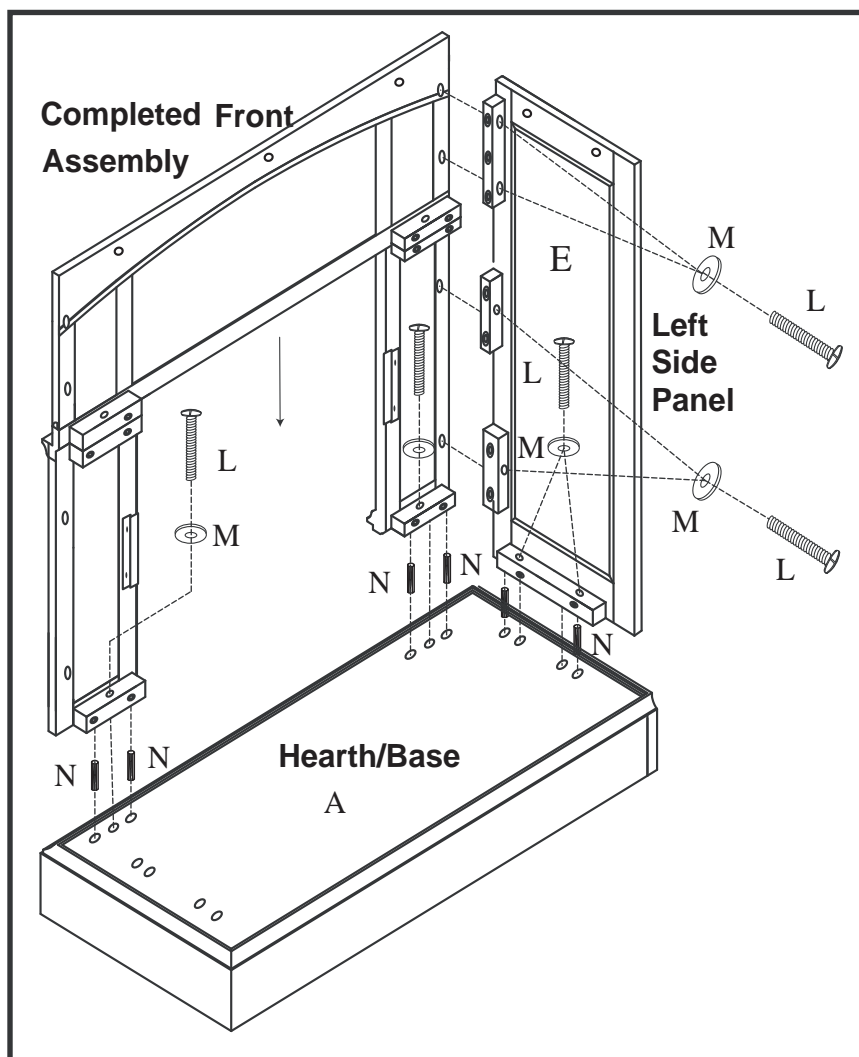


4. Locate Hearth/Base (A) and set out finished side up on the floor.
5. Insert one Wood Dowel (N) into each of the pre-drilled holes.
6. Attach the completed Front Panel assembly from step 3 to the Hearth/Base (A). Make sure the dowels are seated into the pre-drilled holes in the Hearth/Base. Using Bolts (L) and Washers (M) attach panels through pre-drilled holes in the mounting blocks.

HAND TIGHTEN ONLY.

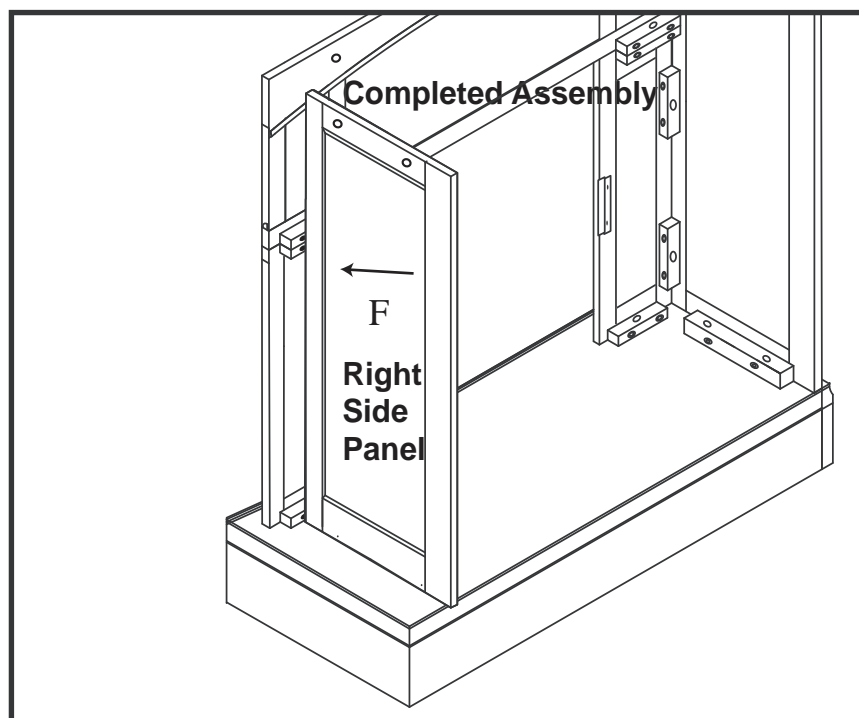
7. Locate Left Side Panel (E), insert one Wood Dowel (N) into each of the pre-drilled holes. Attach the Side Panel to Hearth/Base (A) and the completed front assembly. Then use Bolts (L) and Washers (M) through the pre-drilled holes in the mounting blocks.

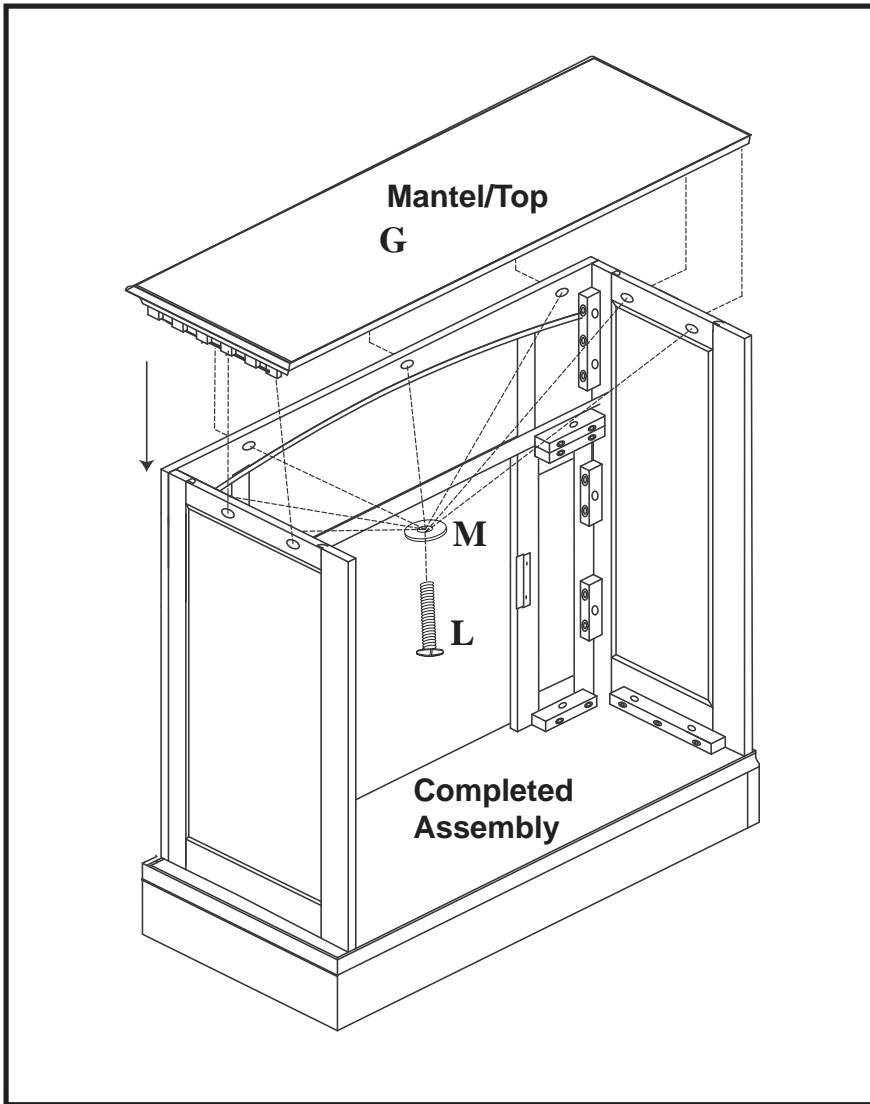
HAND TIGHTEN ONLY.



8. Locate Right Side Panel (F), insert one Wood Dowel (N) into each of the pre-drilled holes. Attach the Side Panel to Hearth/Base (A) and the completed front assembly. Then use Bolts (L) and Washers (M) through the pre-drilled holes in the mounting blocks.

HAND TIGHTEN ONLY.





9. Locate Mantel/Top (G) and lay finished side up on top of completed assembly. From the inside, attach the Mantel using Bolts (L) and Washers (M) through the pre-drilled holes in the Panels.

HAND TIGHTEN ONLY.

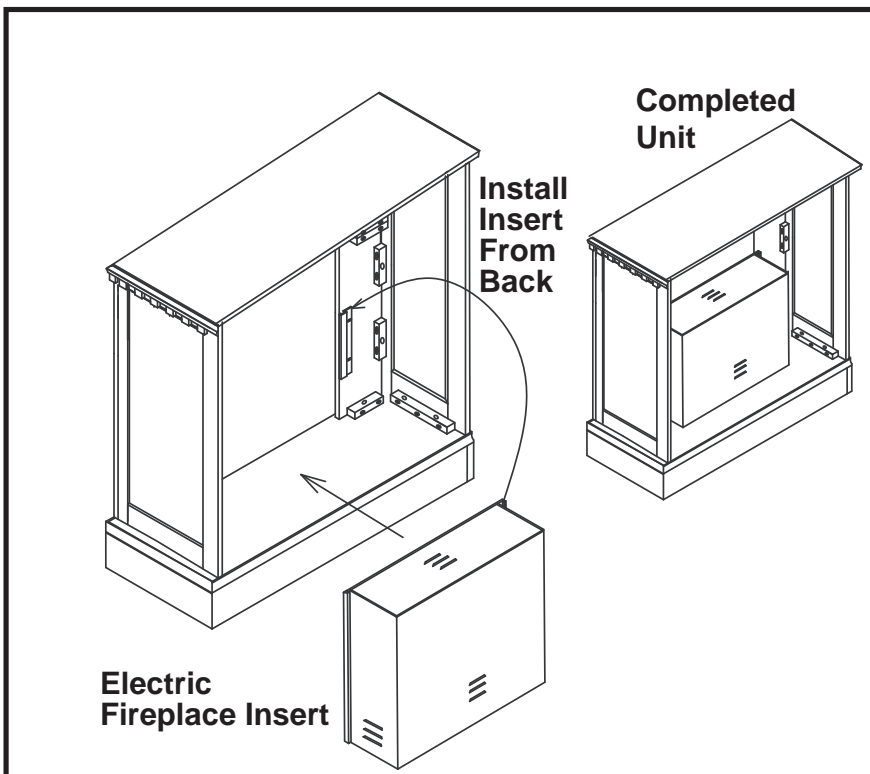
10. Using Phillips head screwdriver tighten all Bolts alternating top and bottom, left and right.
11. Remove the two mounting brackets attached to the back of the Left and Right Front panels. Set aside with the wood screws.

PLEASE READ ALL "ELECTRIC FIREPLACE INSERT" INSTRUCTIONS PRIOR TO INSTALLING ELECTRIC INSERT IN YOUR COMPLETED FIREPLACE MANTEL. INSTALL THE INSERT IN YOUR FIREPLACE CLOSE TO ITS FINAL POSITION.

12. Lift insert carefully into the back of the unit and center in the insert opening. Do not drag insert across Hearth/Base (A) as it may scratch your unit.

13. Install the mounting brackets to hold insert flush against the inside of the mantel front panel.

MOVE YOUR COMPLETED UNIT ONLY SHORT DISTANCES. MOVE COMPLETED UNIT WITH GREAT CARE. IT TAKES TWO PEOPLE TO MOVE COMPLETED UNIT INTO ITS FINAL POSITION.



Twin-Star International, Inc.
 Delray Beach, FL 33445
 In English: 1-866-661-1218
 In French: 1-866-374-9203
 In Spanish: 1-866-661-1218

Model# 23WM302
 Made in China
 Printed in China

© 2009, Twin-Star International, Inc.