



Quick Start Guide

Compact 24 LE (920014 s/n 35000 & up)

- Step 1: Unfold Handlebars
- Step 2: Install Discharge Chute
- Step 3: Install Discharge Chute Crank
- Step 4: Install Remote Deflector Cable
- Step 5: Check Function of Dual Handle Interlock
- Step 6: Check Tire Pressure
- Step 7: Check Auger Gearcase Oil
- Step 8: Check Engine Crankcase Oil
- Step 9: Fill Engine Fuel Tank
- Step 10: Starting the Engine
- Step 11: Stopping the Engine



READ AND UNDERSTAND ALL INSTRUCTION, WARNING, AND DANGER LABELS.

IMPORTANT: READ OPERATOR'S MANUAL AND ENGINE MANUAL THOROUGHLY AND FOLLOW THE IMPORTANT SAFE OPERATION PRACTICES BEFORE OPERATING.



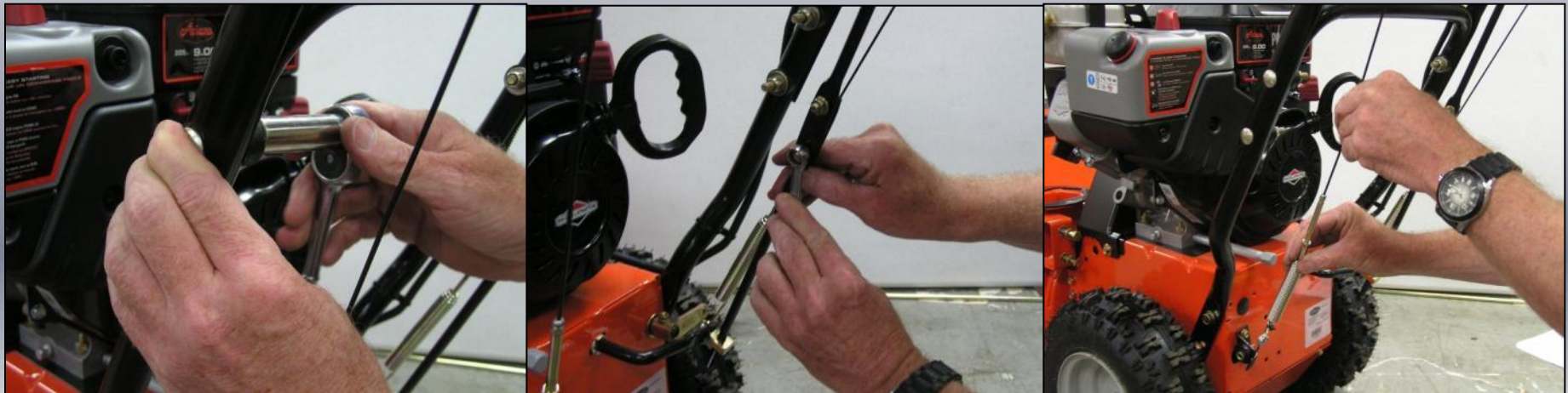
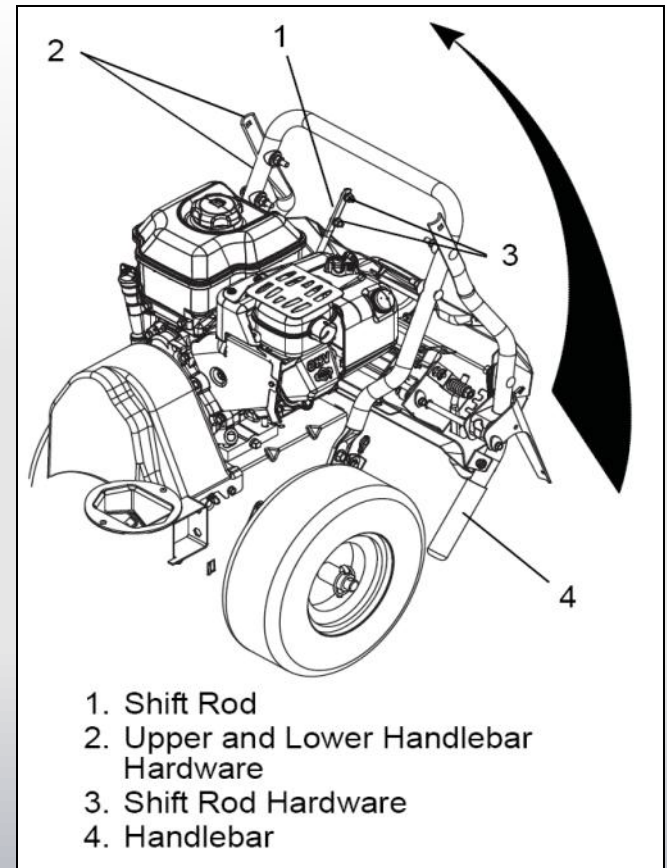
Step One: Unfold Handlebar

1. Remove the lower and loosen the upper hardware on the handlebar assembly.
2. Loosen the hardware on the shift rod.
3. Put the speed selector lever in the sixth forward position.
4. Rotate the handlebar into operating position.

NOTE: Be careful not to damage cable spring hooks when rotating handlebar upward.

5. Install and tighten the hardware on the handlebar assembly and shift rod.
6. Check tension on auger and traction clutch cables.

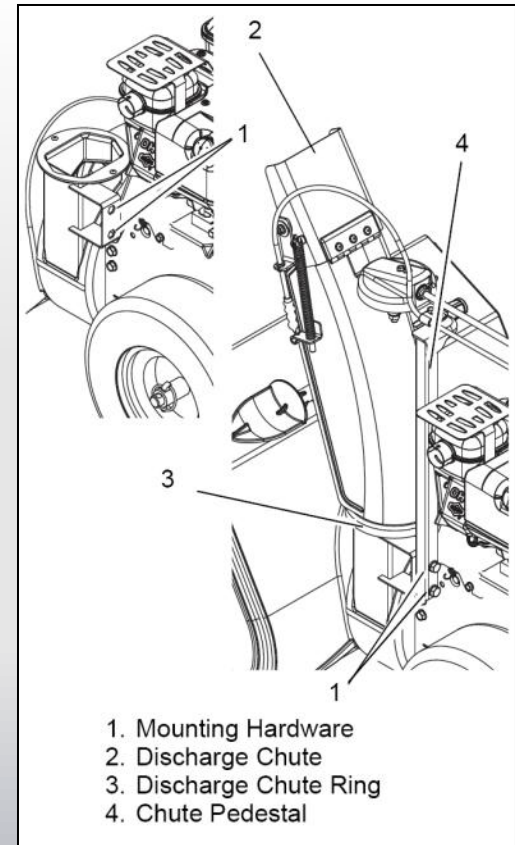
IMPORTANT: Cables should not be slack nor under tension. Adjust as necessary.





Step Two: Install Discharge Chute

1. Grease underside of discharge chute ring (if not already greased).
2. Remove mounting hardware from the bottom of the chute pedestal mount.
3. Install discharge chute over opening in the auger housing and secure pedestal to auger housing with hardware removed above.



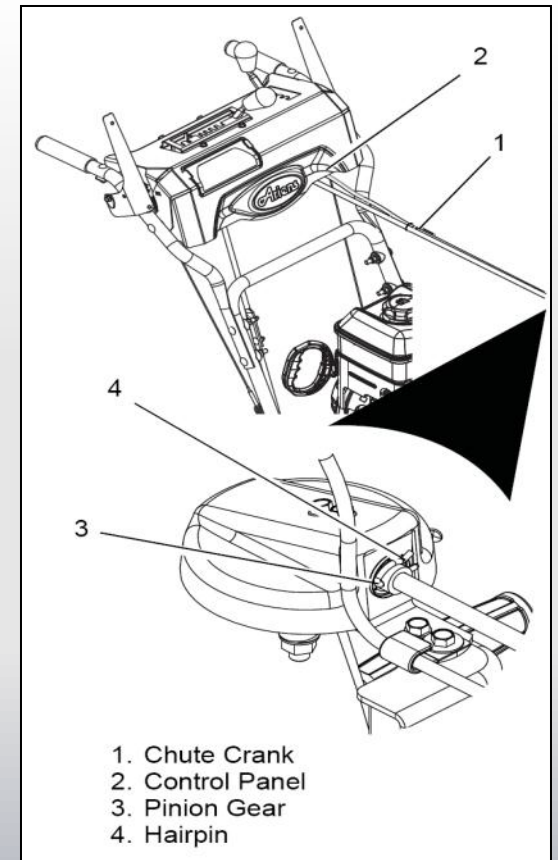


Step Three: Install Discharge Chute Crank

1. Slide Chute Crank through the opening in the control panel.

NOTE: Be careful not to damage nylon bushing when attaching crank to the dash.

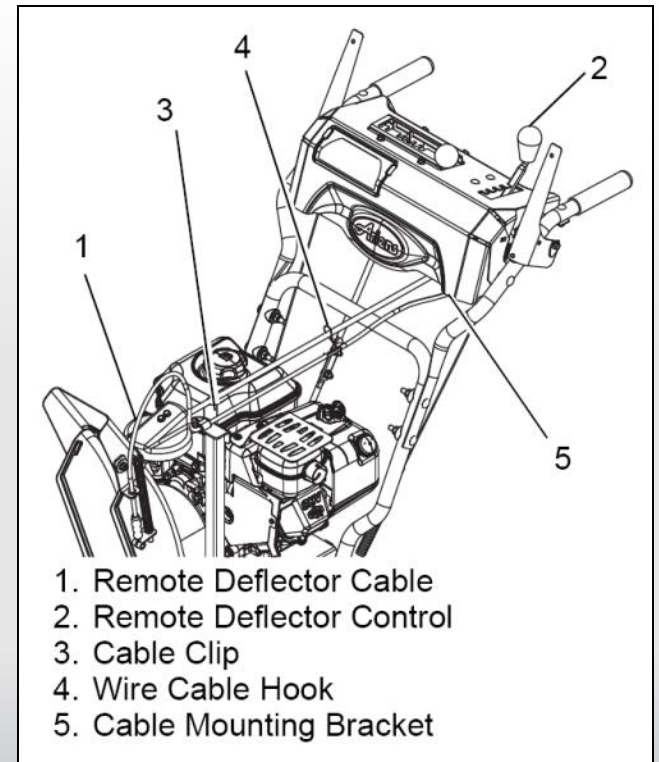
2. Connect the chute crank to the pinion gear on discharge chute with hairpin.





Step Four: Install Remote Deflector Cable

1. Slide cable through clip on top of discharge chute pedestal.
2. Bend clip closed around cable.
3. Using the wire hook attached to the deflector cable, hook cable to discharge chute crank.
4. Pull rubber seal cap away from snap fitting.
5. Install snap fitting into cable bracket's mounting hole located under the dash.
6. Position rubber seal cap over the top of snap fitting.





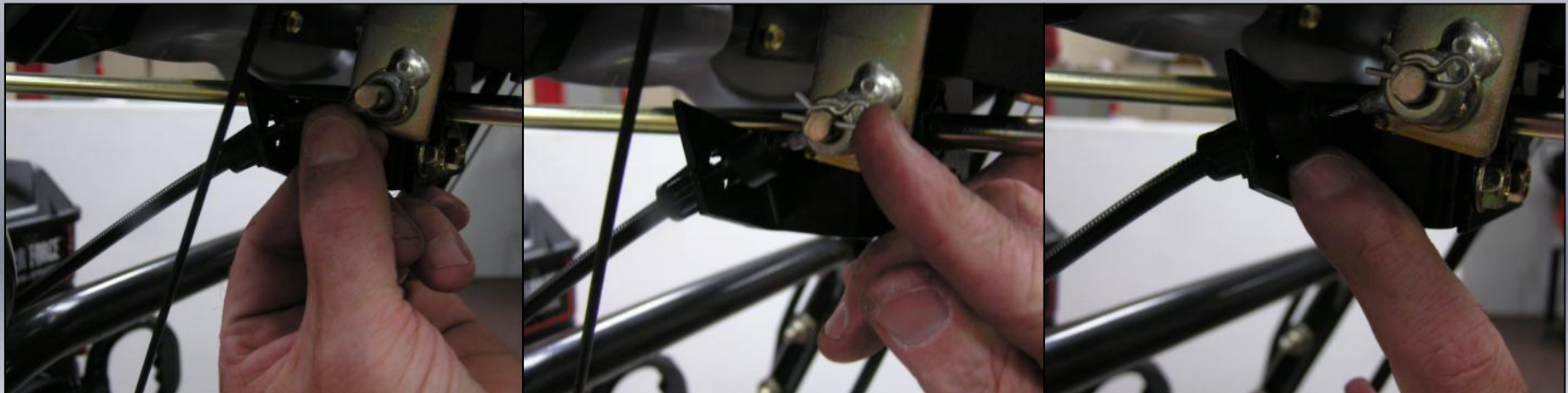
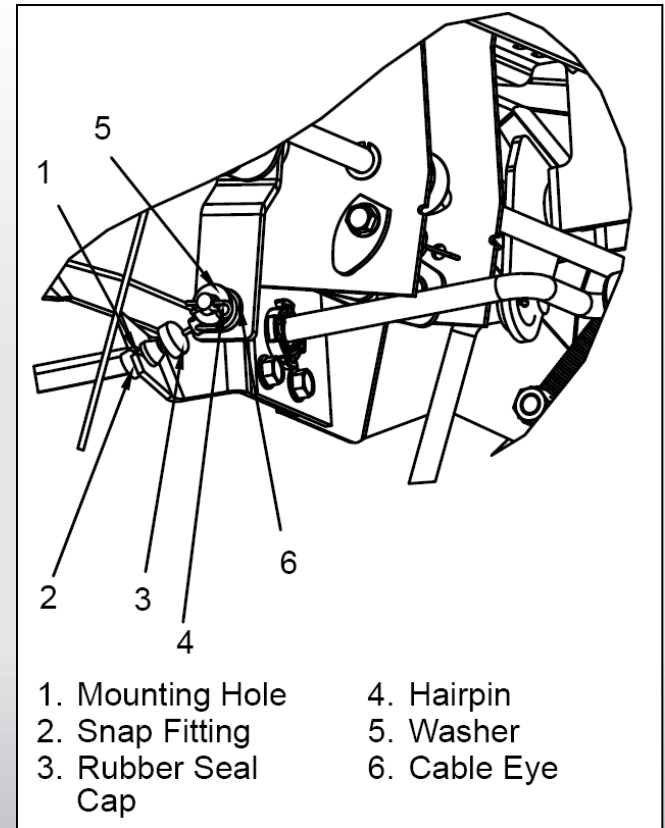
Step Four: Install Remote Deflector Cable Cont.

7. Move deflector control lever to rear most position.
8. Attach cable eye to pin on bottom of deflector control lever.

NOTE: Hold down chute deflector cap, if needed, for more cable slack.

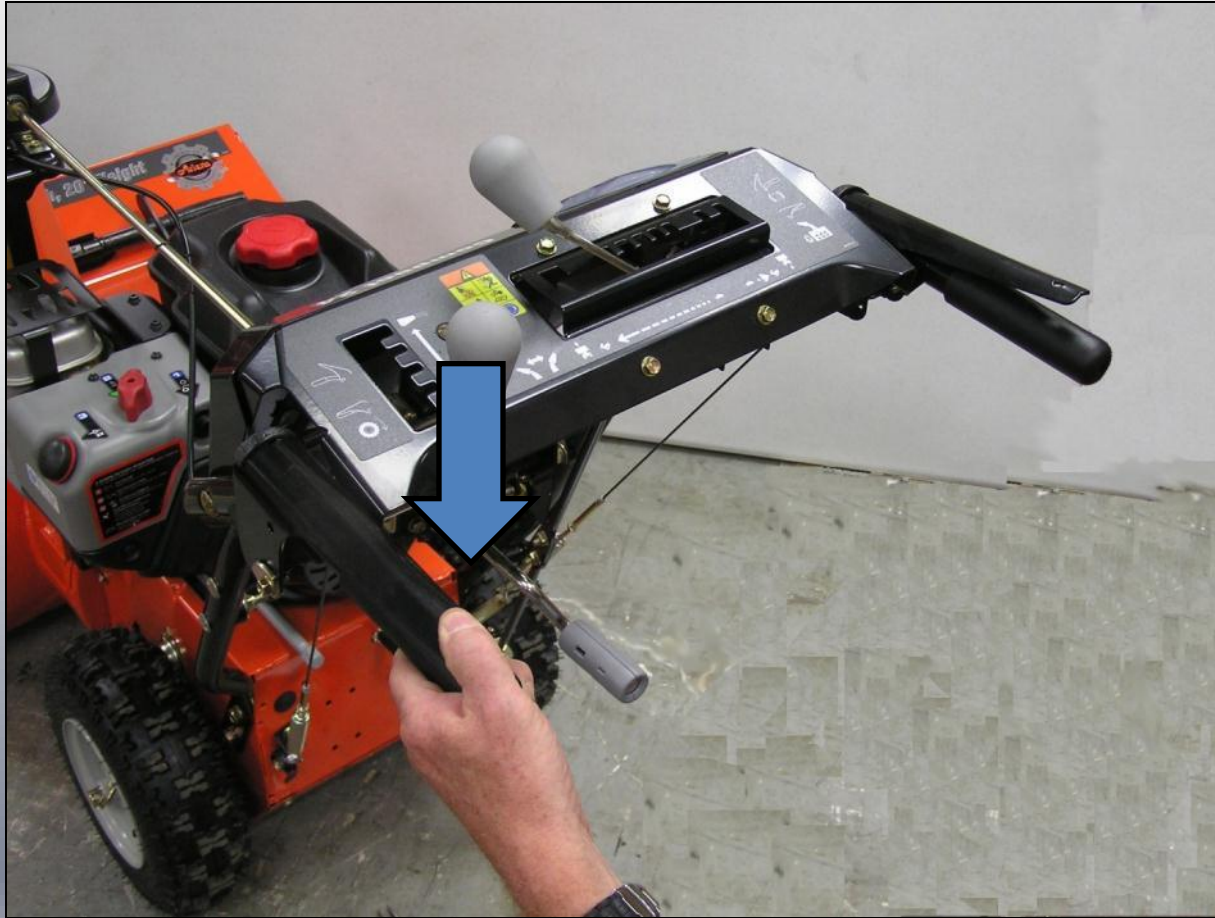
9. Secure cable eye to control lever with washer and hairpin.
10. Test controls to be sure deflector works properly.

NOTE: If deflector does not follow full range of travel See *Remote Discharge Deflector Control Adjustment (920014)* in Owners Manual.





Step Five: Check Function of Dual Handle Interlock



Without the engine running, press down (engage) both clutch levers. Release attachment clutch lever. Attachment clutch should remain engaged until traction clutch lever is released, then both clutches *must* disengage. If they do not, contact your Dealer for repairs.



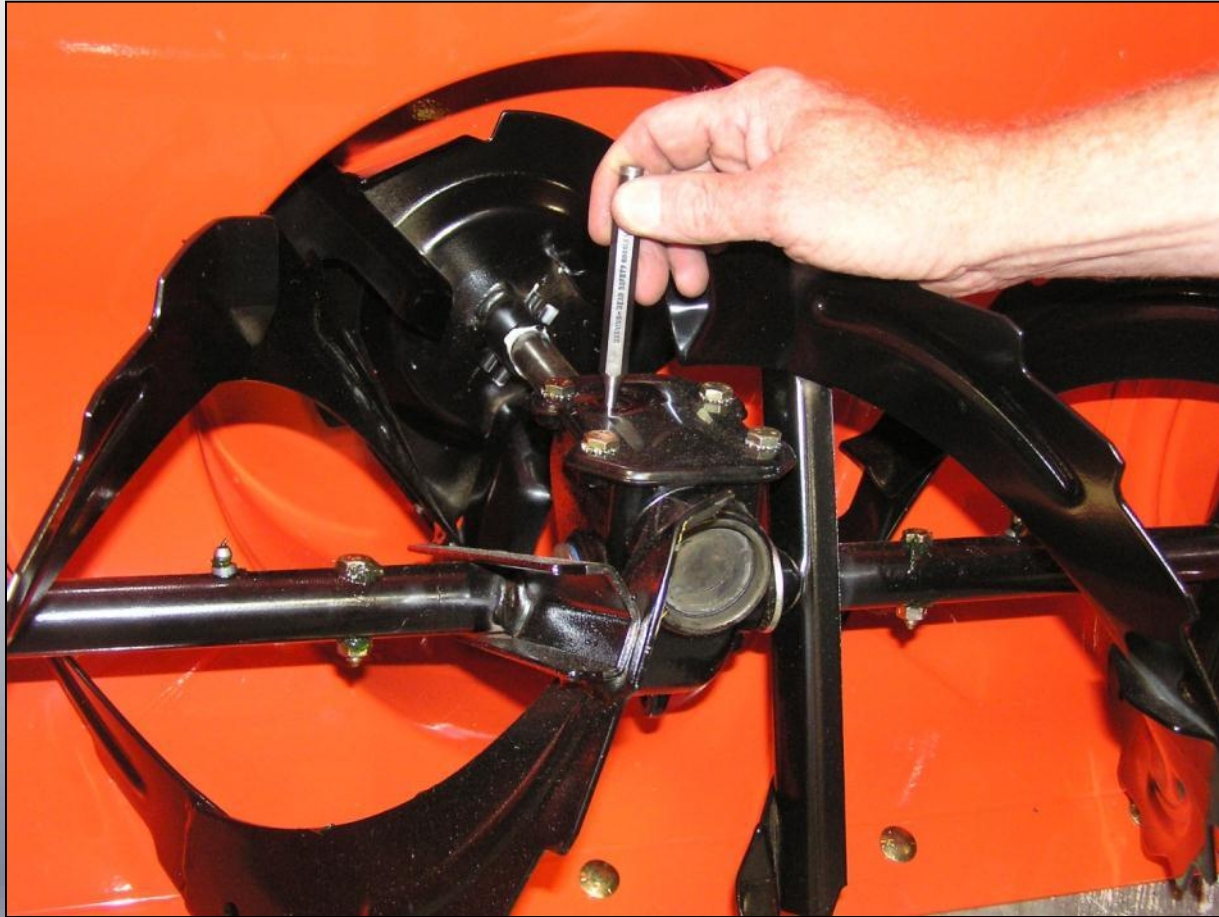
Step Six: Check Tire Pressure



Check tire pressure and adjust to the pressure listed on tire sidewall.



Step Seven: Check Auger Gearcase Oil



Check oil level in auger gearcase (see *Check Auger Gearcase* in Owners Manual).



Step Eight: Check Engine Crankcase Oil



IMPORTANT: The engine is shipped with oil in crankcase. Refer to Engine Manual for detailed instructions.



Step Nine: Fill Engine Fuel Tank



Fill fuel tank. DO NOT OVERFILL! See *FILLING FUEL TANK* in Owners Manual.

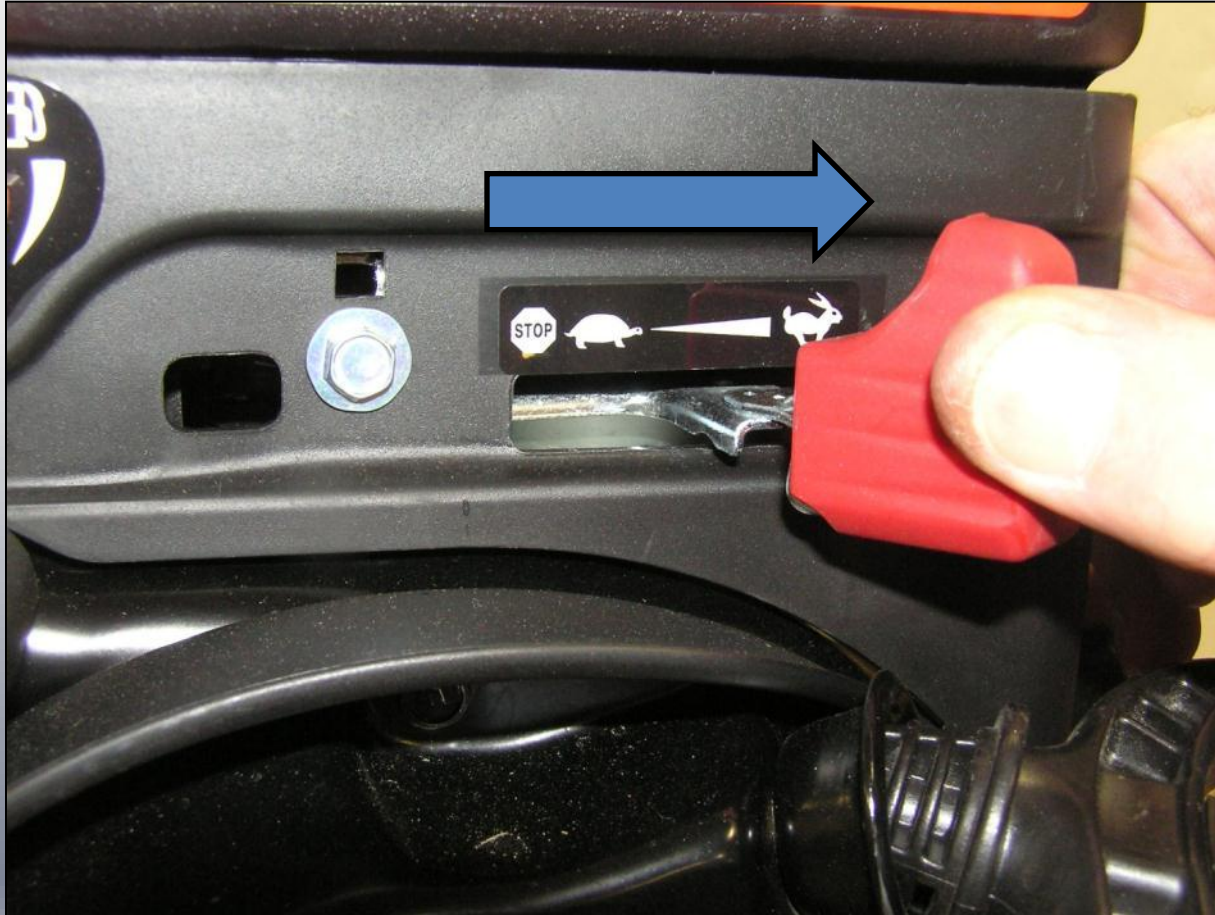


Step Ten: Starting the Engine





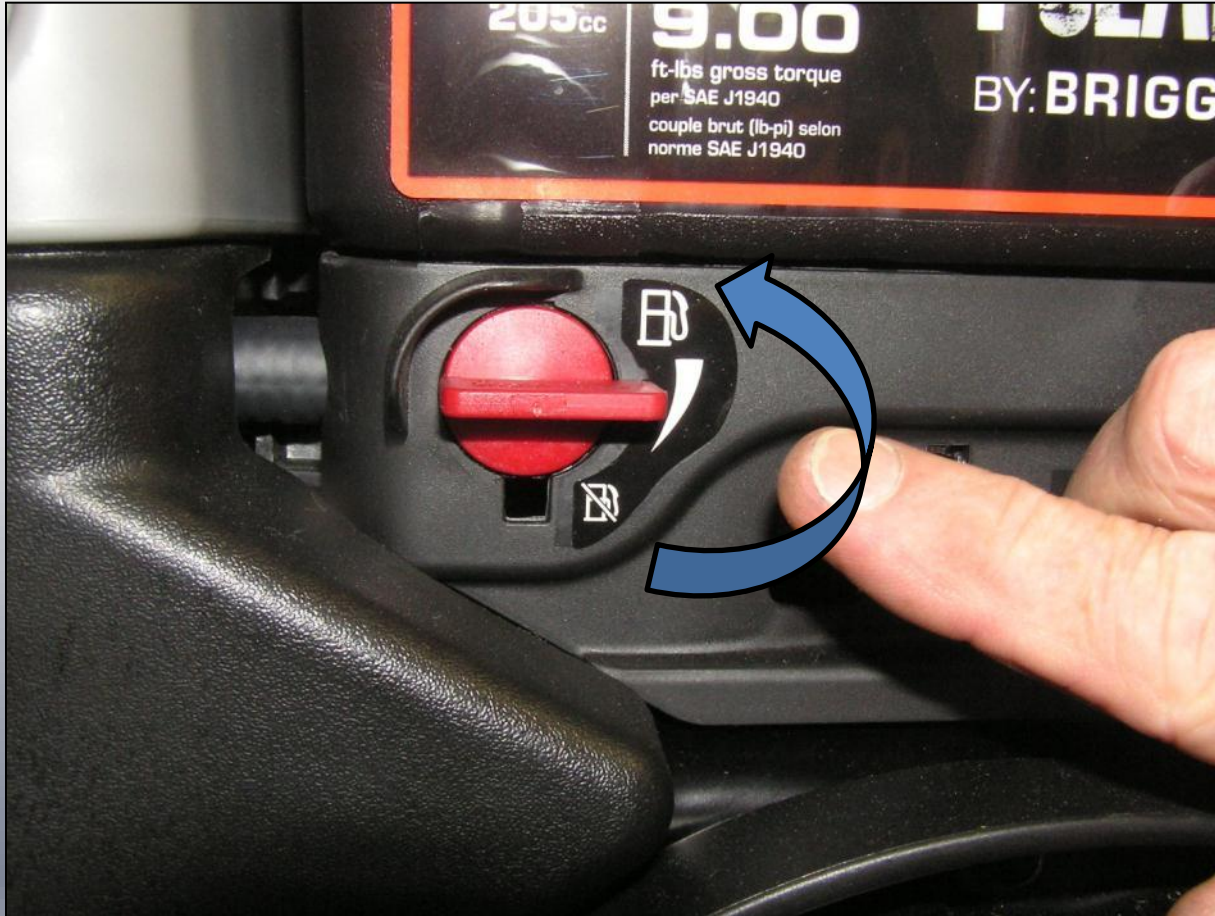
Starting Engine / Step A: Throttle



Move the throttle control lever to the fast position. Operate the engine with the throttle control lever in the fast position.



Starting Engine / Step B: Fuel Valve



Turn the fuel shut-off valve to the "ON" position.



Starting Engine / Step C: Key



Insert the key and turn to the on/start position.



Starting Engine / Step D: Choke



Turn the choke control knob to the choke position.

NOTE: Choke is usually unnecessary when restarting a warm engine.



Starting Engine / Step E: Prime



Push the primer two times.

NOTE: Priming is usually unnecessary when restarting a warm engine.



Starting Engine / Step F: (Manual Start)

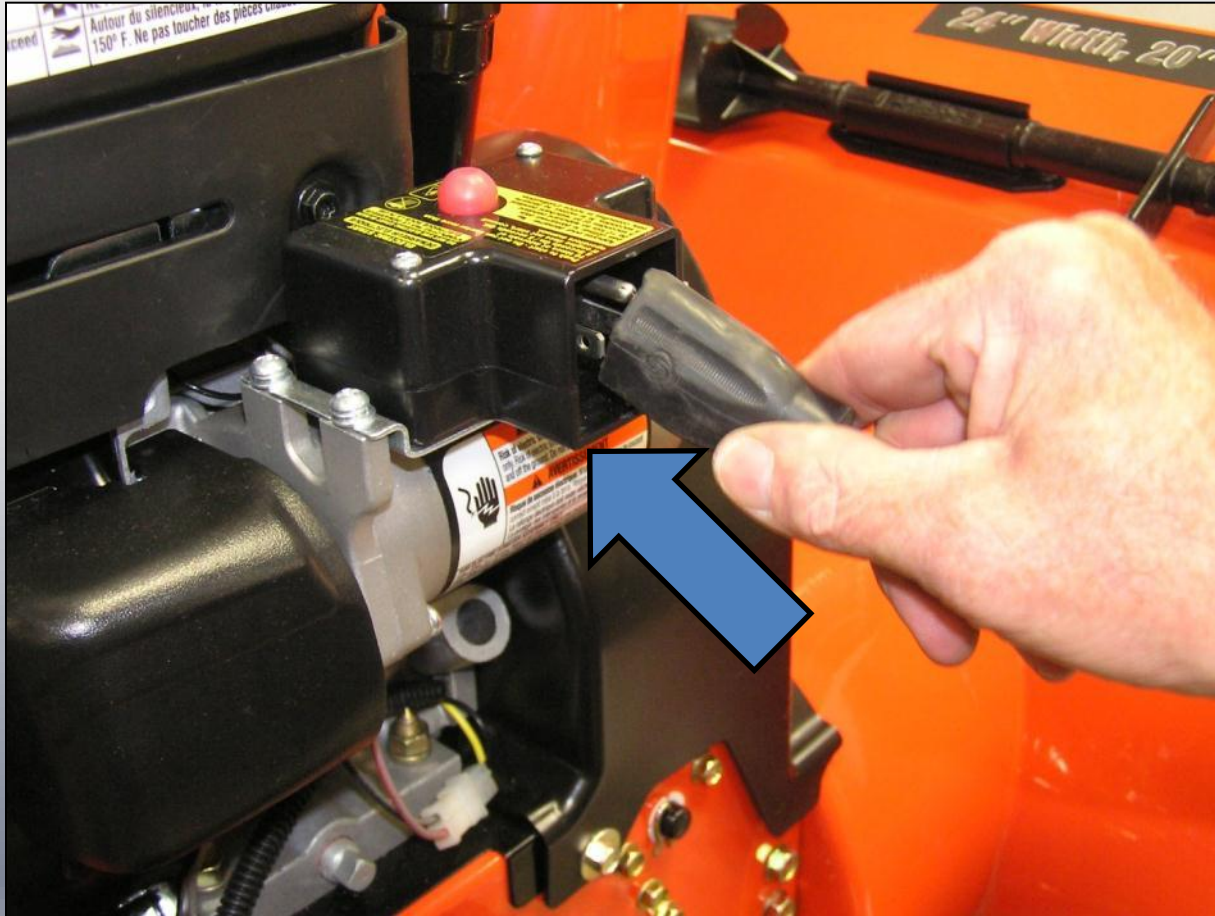


Firmly hold the starter cord handle. Pull the starter cord handle slowly until resistance is felt, then pull rapidly.

NOTE: If the engine does not start after repeated attempts, go to BRIGGSandSTRATTON.COM or call **1-800-233-3723**.



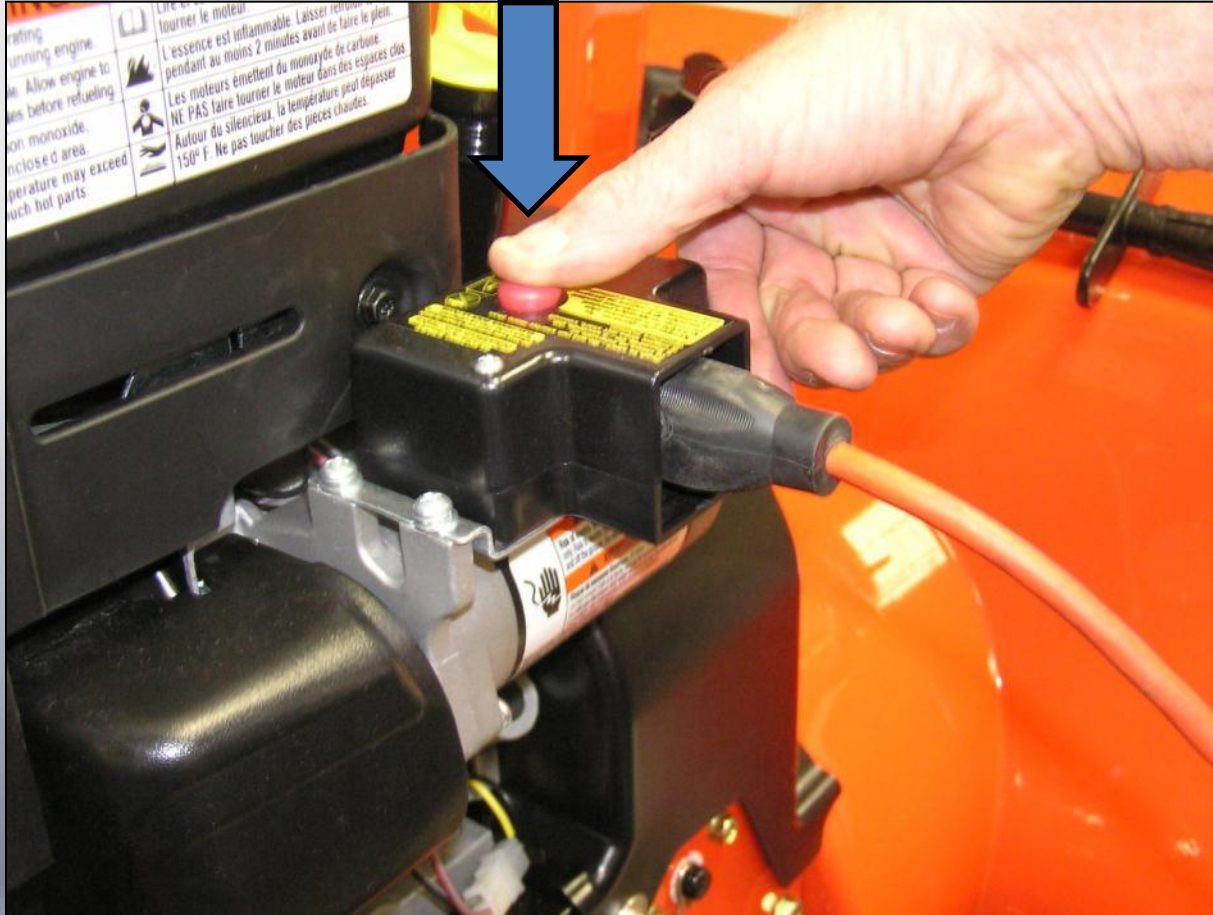
Starting Engine / Step F: (Electric Start)



First connect the extension cord to the power cord receptacle and then into a wall receptacle. If an additional extension cord is required, make sure it is a 3-wire.



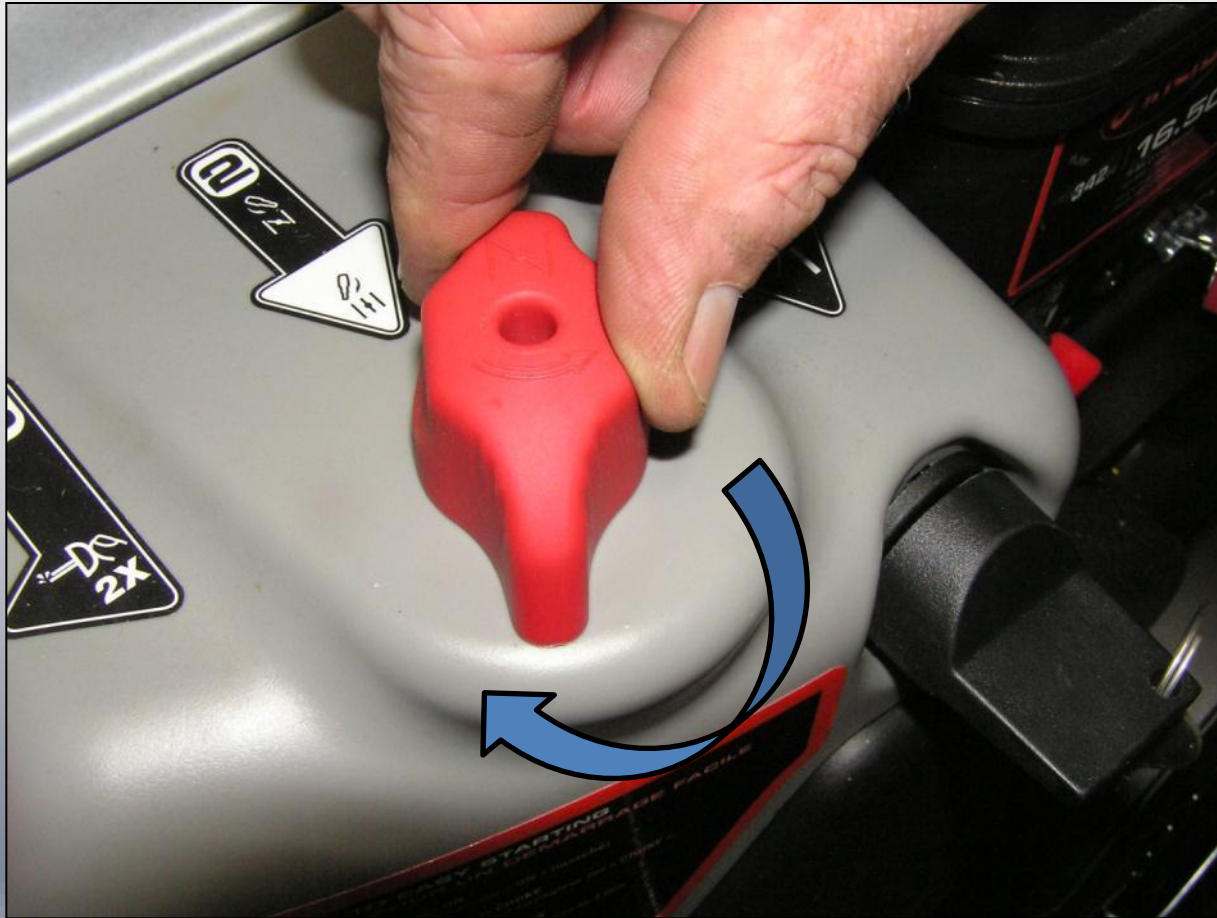
Starting Engine / Step G: (Electric Start)



Depress the push button. After you start the engine, first disconnect the extension cord from the wall receptacle and then from the power cord receptacle.



Starting Engine / Step H: Warm up



Allow the engine to warm up for several minutes, Then, slowly move the choke control knob to the run position.

Step Eleven: Stopping the Engine



Turn the key to the off position or move throttle control lever to slow and then to the stop position (completely left). Remove the key. Keep away from reach of children. After engine stops, turn the fuel shut-off valve to the closed (vertical) position.



Additional Resources

- Refer to Owners Manual and Engine Manual
- Contact Ariens Company
www.ariens.com
Phone: 920-756-4688
E-mail: info@ariens.com
- For issues concerning engine, please contact Briggs and Stratton
www.BRIGGSandSTRATTON.com
Phone: 800-233-3723