



Item # 100000000

Model # HPRO27SLOCKERBLK

USE AND CARE GUIDE

Husky Professional Duty 27.5 in. Side Locker

Questions, problems, missing parts?

Before returning to the store, call

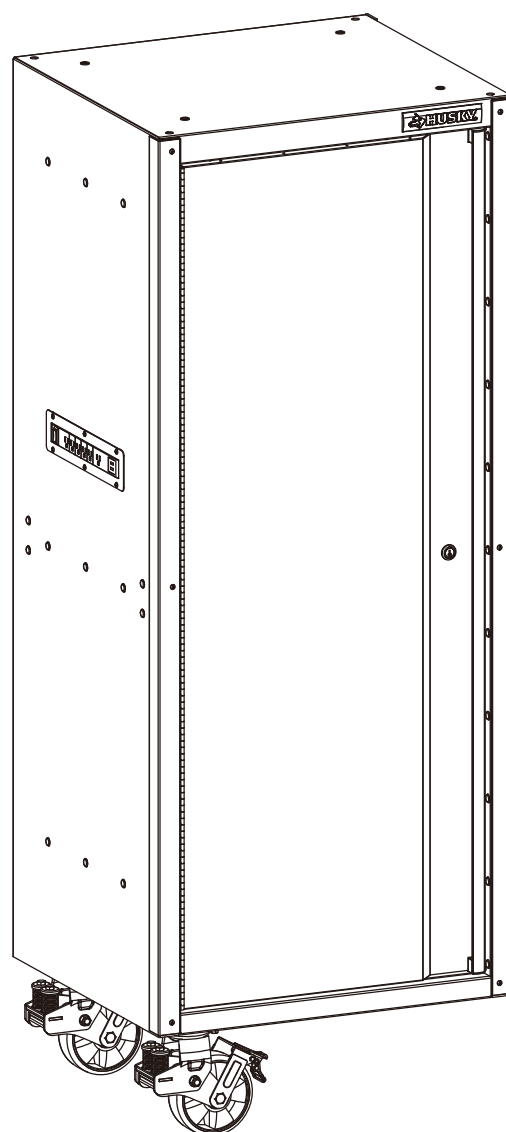
Husky Customer Service

8 a.m – 7 p.m., EST, Monday-Friday

9 a.m – 6 p.m., EST, Saturday

1-888-HD-HUSKY

HUSKYTOOLS.COM



THANK YOU

We appreciate the trust and confidence you have placed in Husky through the purchase of this side locker. We strive to continually create quality products designed to enhance your home. Visit us online to see our full line of products available for your home improvement needs. Thank you for choosing Husky!

Table of Contents

Table of Contents.....	2	Assembly	6
Safety Information	2	Cordless Power Tool Battery Chargers	13
Warranty.....	4	Maintenance.....	14
Specifications	4	Replacement Parts	15
Package Contents.....	4		
Hardware Included.....	4		
Alternative Tools For Assembly (Not Included)	4		

Safety Information

1. To reduce the risk of injury, please read and follow the safety instructions below before assembling and using this product.
2. Two or more people are required for the assembly of this product.
3. Use the brakes when this product is not being moved. This prevents the product from rolling.
4. Do not tow the product with power equipment.
5. Do not alter this product in any manner. For example, do not weld external lock bars or attach electrical equipment.
6. Before locking the cabinet, ensure there are no obstructions in order for the door to completely close and lock bars to work properly.



CAUTION: Be careful during assembly. The product may become unstable and tip, which may cause personal injury or product damage.



CAUTION: Keep the product on level surfaces. The product may become unstable and tip if stored or moved on an unlevel surface, which may cause personal injury or product damage.



CAUTION: Lock the door before moving this product. The door could come open and make the product unstable, which may cause personal or product damage.



CAUTION: Do not attach or mount this product to a vehicle or mobile trailers. This may cause personal injury or product damage. Mounting this product to any vehicle or mobile trailers in any manner will void warranty.



CAUTION: Do not stand on this product. You may fall which may cause personal injury or product damage.

!Save these instructions.

7. Extension cord

- Follow all manufacturers' Warnings and Operating Instructions for your extension cord.
- Do not insert extension cord through hole without grommet in place.
- Only use a three-wire extension cord with all three prongs intact. Never remove the round grounding prong.
- Extension cord must be connected to a 125 Volt GFCI protected outlet with proper ground. If GFCI outlet is not available, use an extension cord with GFCI protection built in.
- Check the insulation and plugs of extension cord before using. Do NOT use cord if it is worn or damaged.
- Do NOT overload extension cord.
- Remove extension cord from the hole before moving or transporting this product.
- Only use an extension cord that is rated for outdoor use.
- Do NOT connect extension cord to outlet that also supplies critical safety equipment with power.

8. Electrical Shock Hazard

- Do not plug cord into outlet with wet hands.
- Do not use this product near a bathtub, a shower, or a swimming pool.
- Product plugs must match the outlet.
- Never modify the plug in any way.
- Do not use any adapter plugs with earth (grounded) product power strips.
- Unmodified plugs and matching outlets will reduce the risk of electric shock.
- Avoid body contact with earthed or grounded surfaces. There is an increased risk of electric shock if your body is earthed or grounded.



CAUTION: RISK OF ELECTRICAL SHOCK: This unit has one power supply cord. Make sure the cord is unplugged before any servicing or cleaning.



WARNING: Changes or modifications to this unit not expressly approved by the party responsible for compliance could void the user's authority to operate the equipment.



NOTE: This device complies with Part 15 of the FCC Rules. Operation is subject to the following two conditions: (1) this device may not cause harmful interference, and (2) this device must accept any interference received, including interference that may cause undesired operation.



NOTE: This equipment has been tested and found to comply with the limits for a Class B digital device, pursuant to Part 15 of the FCC Rules. These limits are designed to provide reasonable protection against harmful interference in a residential installation. This equipment generates, uses and can radiate radio frequency energy and, if not installed and used in accordance with the instructions, may cause harmful interference to radio communications. However, there is no guarantee that interference will not occur in a particular installation.

If this equipment does cause harmful interference to radio or television reception, which can be determined by turning the equipment off and on, the user is encouraged to try to correct the interference by one or more of the following measures:

- Reorient or relocate the receiving antenna.
- Increase the separation between the equipment and receiver.
- Connect the equipment into an outlet on a circuit different from that to which the receiver is connected.
- Consult the dealer or an experienced radio/TV technician for help.

Warranty

This Husky Professional Grade product includes a Limited Lifetime Warranty, whereas the manufacturer warrants the product to be free from defects in materials and workmanship for the product's useful life. If any part of this product is found to be defective, the manufacturer's only obligation, and purchaser's exclusive remedy, is to provide replacement parts at the manufacturer's discretion, provided that the product has not been damaged through misuse, abuse, accident, modifications, alterations, neglect or mishandling.

This warranty shall not apply to any product that is found to have been improperly installed, setup, or used in any way not in accordance with the instructions supplied with the product. This warranty shall not apply to normal wear and tear or lack of maintenance, or a failure of the product as a result of use in a highly corrosive environment, improper storage, misuse, abuse, negligence, alteration, faulty installation, or any other failure not relating to faulty material or workmanship. This warranty shall not apply to the finish on any portion of the product such as surface and/or weathering, as this is considered normal wear and tear.

The manufacturer does not warrant and specifically disclaims any warranty, whether express or implied, of fitness for a particular purpose, other than the warranty contained herein. The manufacture specifically disclaims any liability and shall not be liable for any consequential or incidental loss or damage, including but not limited to any labor/expense costs involved in the replacement or repair of said product.


Contact the Customer Service Team at 1-888-HD-HUSKY or visit www.huskytools.com.


Specifications

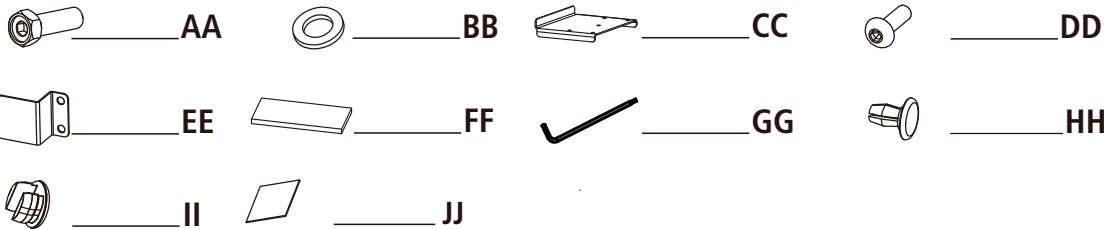
Maximum Sliding Tray Load Capacity	120 lbs.
Maximum Locker Load Capacity	2,000 lbs.

Package Contents

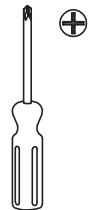
HARDWARE INCLUDED

 **NOTE:** Begin product assembly close to the final intended location of your locker. This product is heavy and may be difficult to move after assembly.

 **NOTE:** Hardware not shown to actual size.



ALTERNATIVE TOOLS FOR ASSEMBLY (Not Included)



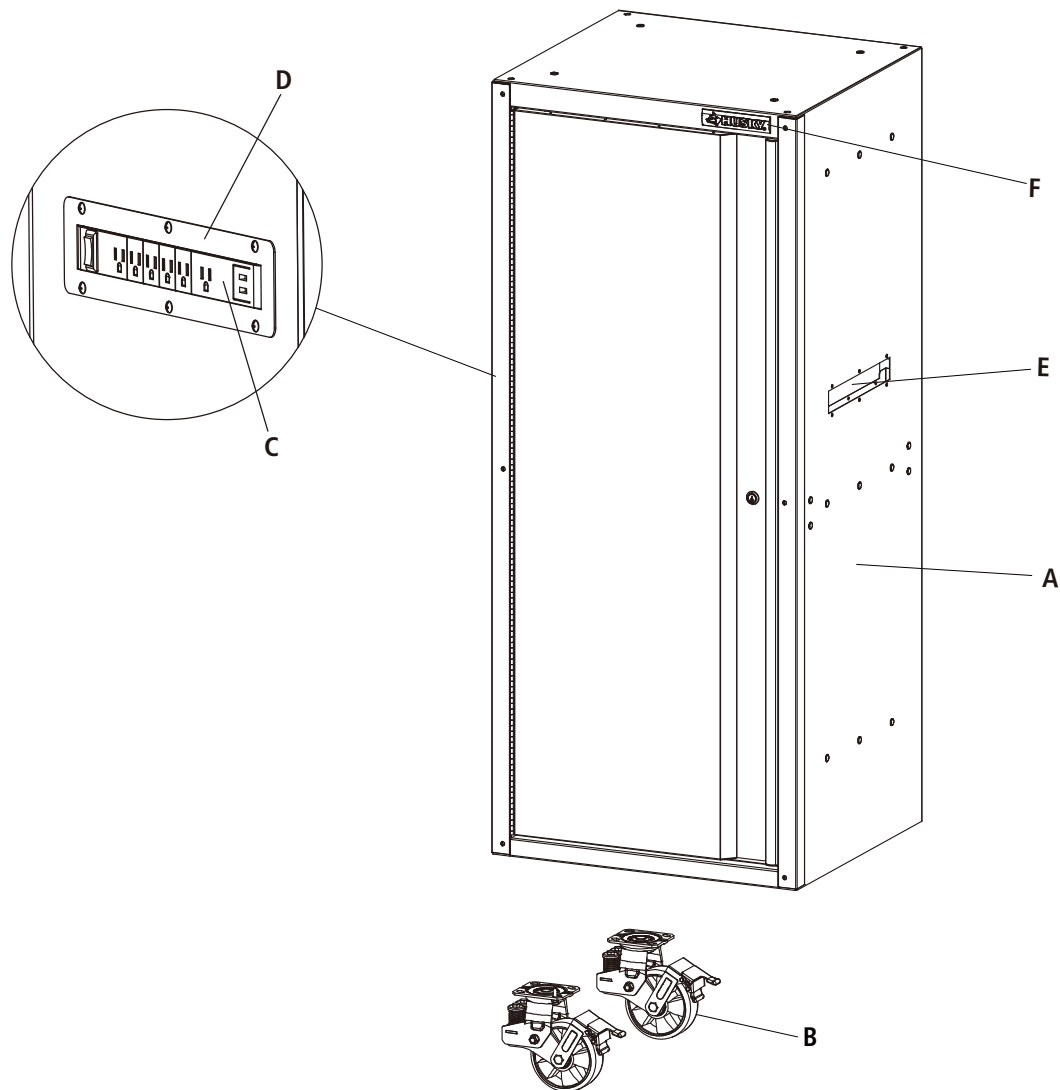
Phillips head screwdriver

Part	Description	Quantity
AA	Hexagon socket head cap bolt (M8)	22
BB	Washer (M19)	22
CC	Support base plate	1
DD	Hexagon socket button cap bolt	4
EE	Storage hook	2
FF	EVA spacer	3
GG	Hex key	1
HH	Plastic plug (M6)	19
II	Plastic plug (ø15mm)	18
JJ	Drawer liner adhesive tape	16

Package Contents (continued)



NOTE: Locker keys are attached to door.



Part	Description	Quantity
A	Locker	1
B	Swivel caster	2
C	Power outlet	1
D	Outlet panel cover	1
E	Blank plate	1
F	Magnetic Husky® logo badge	1

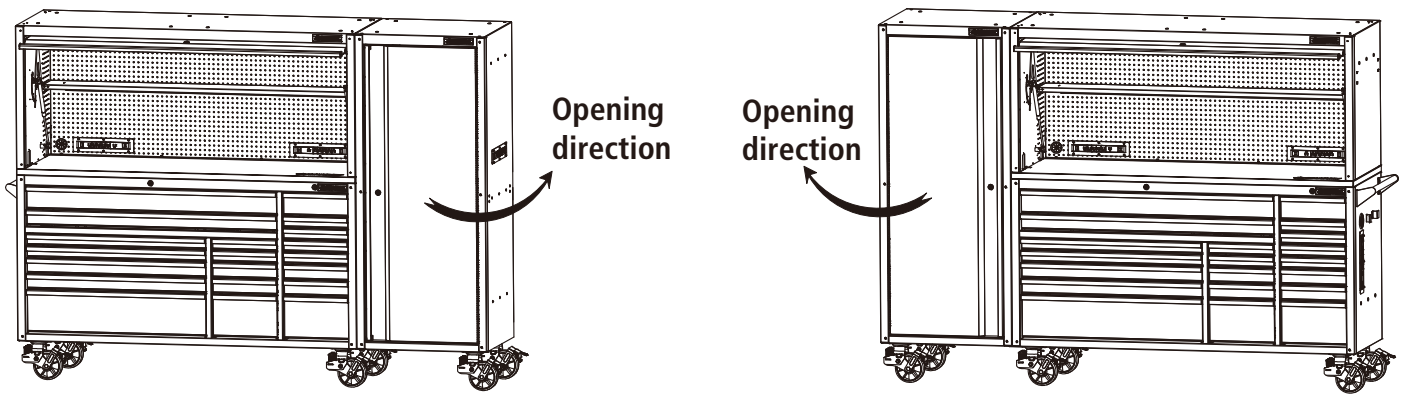
Assembly


This Husky 27.5 in. Side Locker is only intended to be used with the Husky Professional Duty system, which includes the following products:

72 in. 20-Dr. Professional Duty Workbench	Model#HPRO72MWC20BLK	SKU#100000
72 in. Professional Duty Hutch	Model # HPRO72HUTCHBLK	SKU # 1000000000
63.5 in. Professional Duty Top Locker	Model # HPRO63TLOCKERBLK	SKU # 1000000000
72 in. Professional Duty Top Locker	Model # HPRO72TLOCKERBLK	SKU # 1000000000

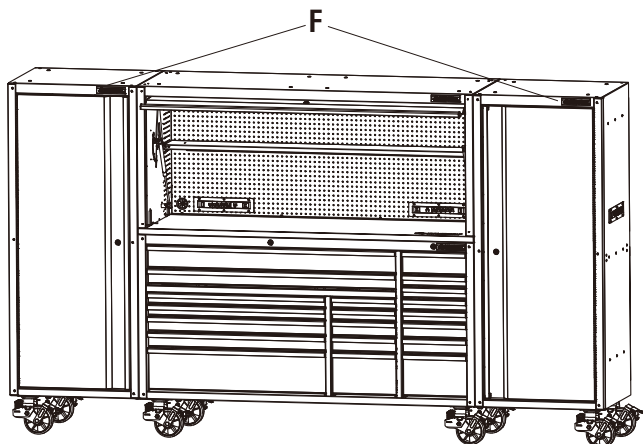
Side Locker is designed to attach to either side of the Husky Professional Duty 72 in. 20-Drawer Workbench with or without the Hutch.


- If mounting to the RIGHT side of the Workbench, then proceed to Step 1.
- If mounting to the LEFT side of the Workbench, then the door is in the correct position and skip to Step 2.
- If mounting to the BOTH side of the Workbench, then proceed to Step 1 & Step 2.



 **NOTE:** The Husky Professional 72 in. Hutch is shown for illustration purposes only, and not required for the installation of the 27.5 in. Side Locker.

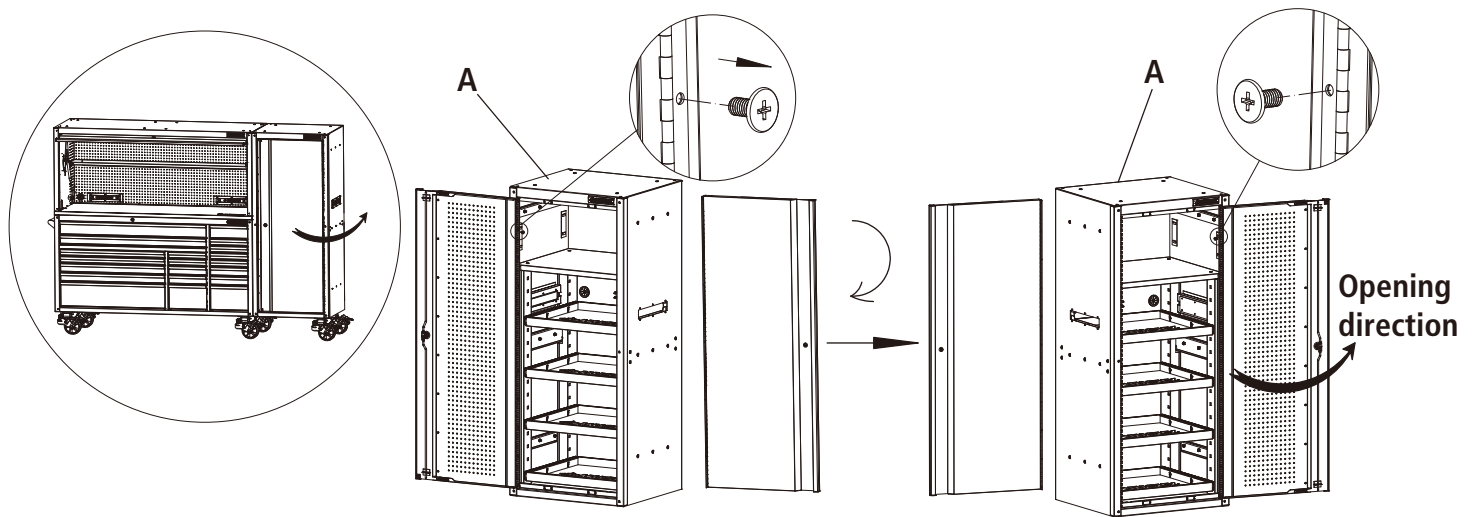
Husky® logo badge (F) is magnetic and can be moved to either side of the Locker.



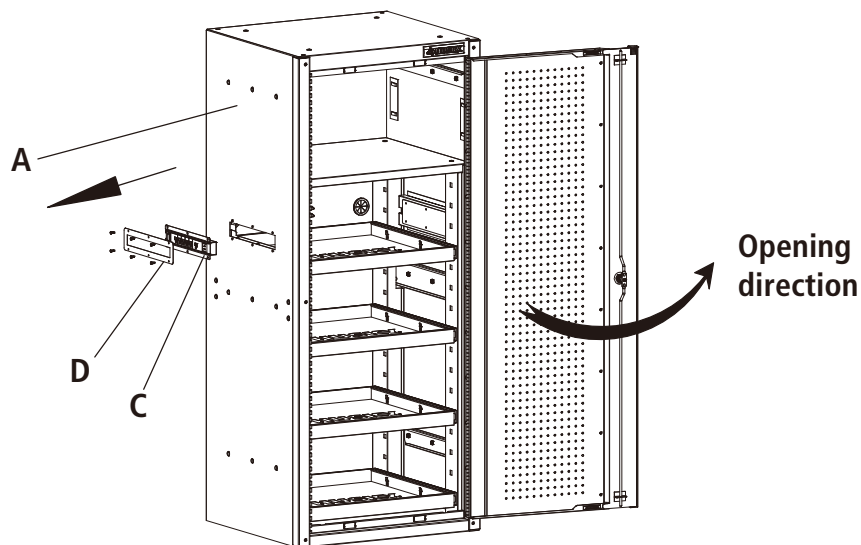
 **CAUTION:** Two or more people are required for assembly.

1 Installing Locker to right side of Workbench

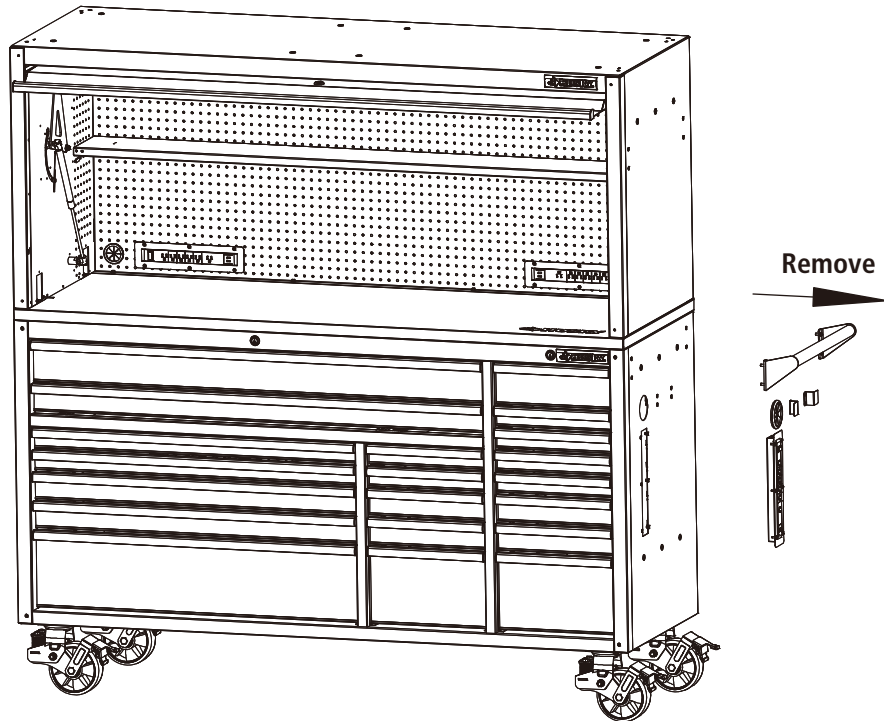
- Remove the door of the Locker (A) by removing the 11 Phillips head bolts inside the hinge of the Locker (A). Flip the door and re-orient to the other side. Then re-install the door with the 11 Phillips head bolts along the hinge located on the right side of the Locker (A).
- Ensure the door is level and centered in the opening before tightening the 11 bolts.
- Remove the Kwikset Smartkey® lock cylinder from the door, flip and reinstall for proper key orientation.



- Remove the Power outlet (C) from the left wall of the Locker (A) by removing the 6 Phillips head screws from the outlet panel cover (D) and gently pulling the Power outlet (C) and holder from the cabinet.

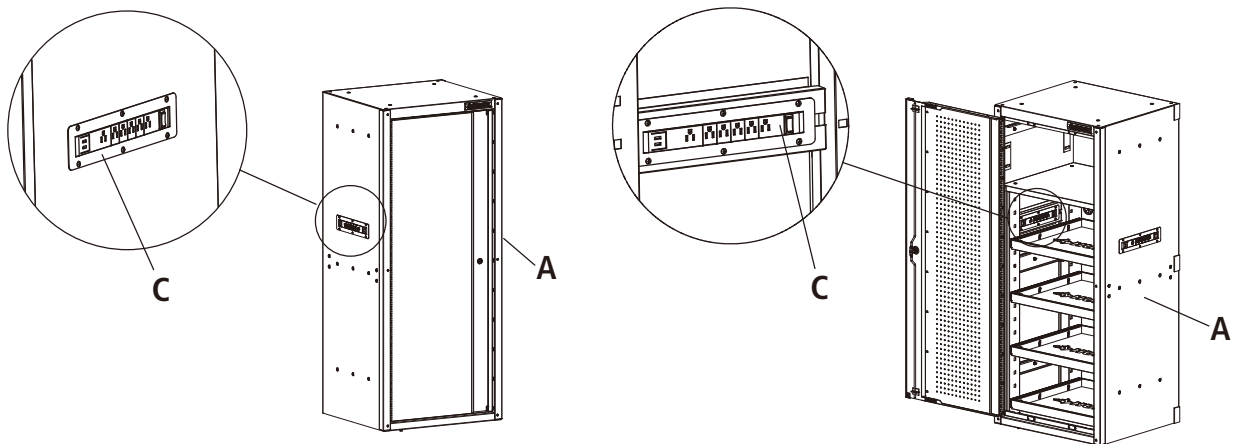


- Remove from the HPRO72MWC20BLK Workbench, the side handle, rubber grommet, 2 power cord storage hooks, power outlet and holder.
- Remove the Power outlet from the Workbench by removing the 6 Phillips head screws from the outlet panel cover and gently pulling the Power outlet and the holder out of the cabinet. Be careful when pulling the cord through the grommet to avoid pinching and damaging the cord. Once the cord plug head is pulled through, then remove the exterior rubber grommet on the right side.
- The right side of the workbench should be free of any obstructions to install the Locker (A).
- If desired, the side handle can be relocated to the from the Workbench to the exterior wall of the Side Locker A using the existing bolts after Step 6.

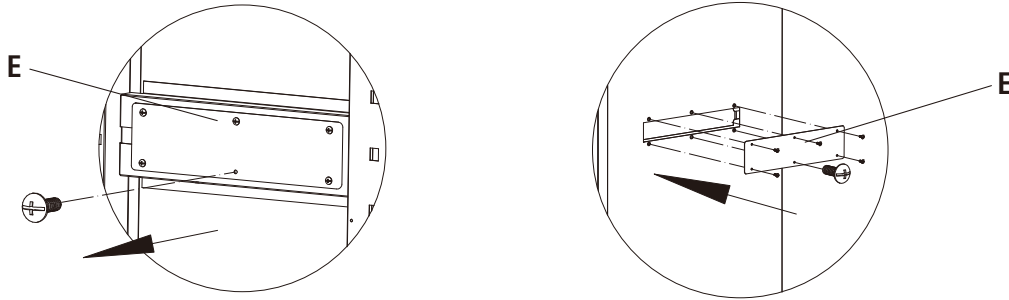


2 Power outlet orientation

- The power outlet (C) can be installed on the left or right hand side of the Locker (A), either facing to the inside or outside orientation.

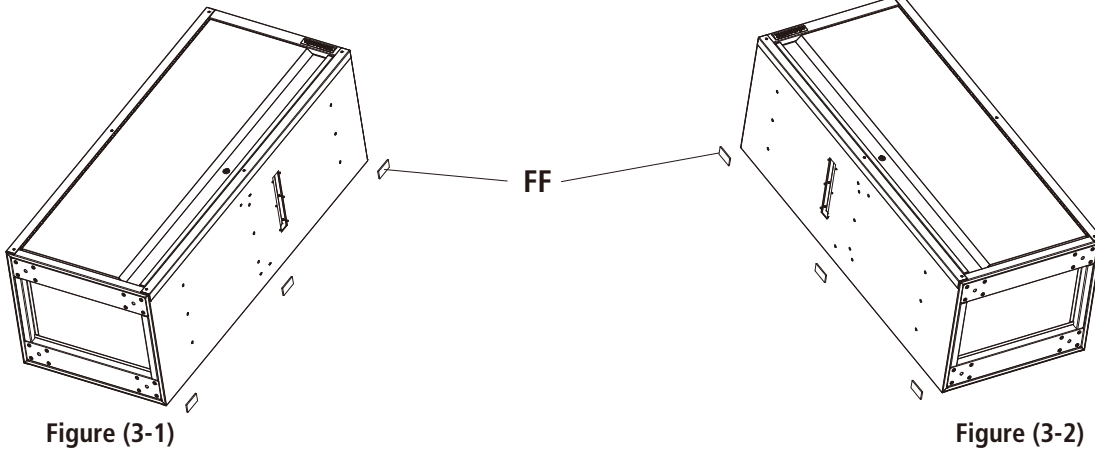


- If desired, add the blank plate (E) to the outside of the Locker (A) using the 6 Phillips head screws to cover the power outlet opening.



3 Attaching the EVA Spacers

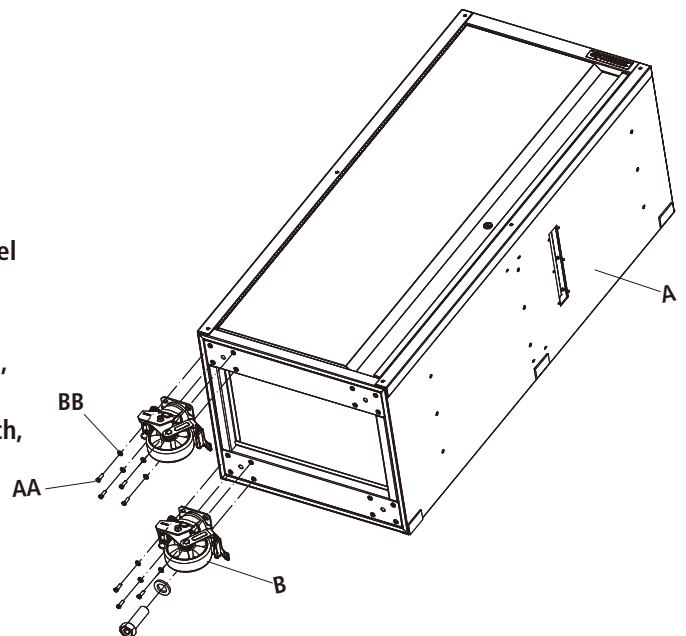
- Peel off the paper back from the 3 EVA Spacers (FF), and affix in the appropriate position toward the rear of the Locker A.
- If mounting to the LEFT side of the Workbench, then see Figure (3-1).
 - If mounting to the RIGHT side of the Workbench, then see Figure (3-2).



4 Attaching the Casters

- Be sure the door is locked and lay the Locker (A) down. Use packaging material to protect the finish.
- Attach the swivel casters (B) to the outer side of the Locker (A), by inserting 8 M8 Bolts (AA) and washers (BB) through the swivel caster (B). Use the Hex Key (FF) to tighten the bolts to the bottom frame.

Note: If assembling Locker (A) to the left side of the Workbench, then casters will mount to the left side.
 If assembling Locker (A) to the right side of the Workbench, then casters will mount to the right side.



5 Attach Locker Support Base Plate

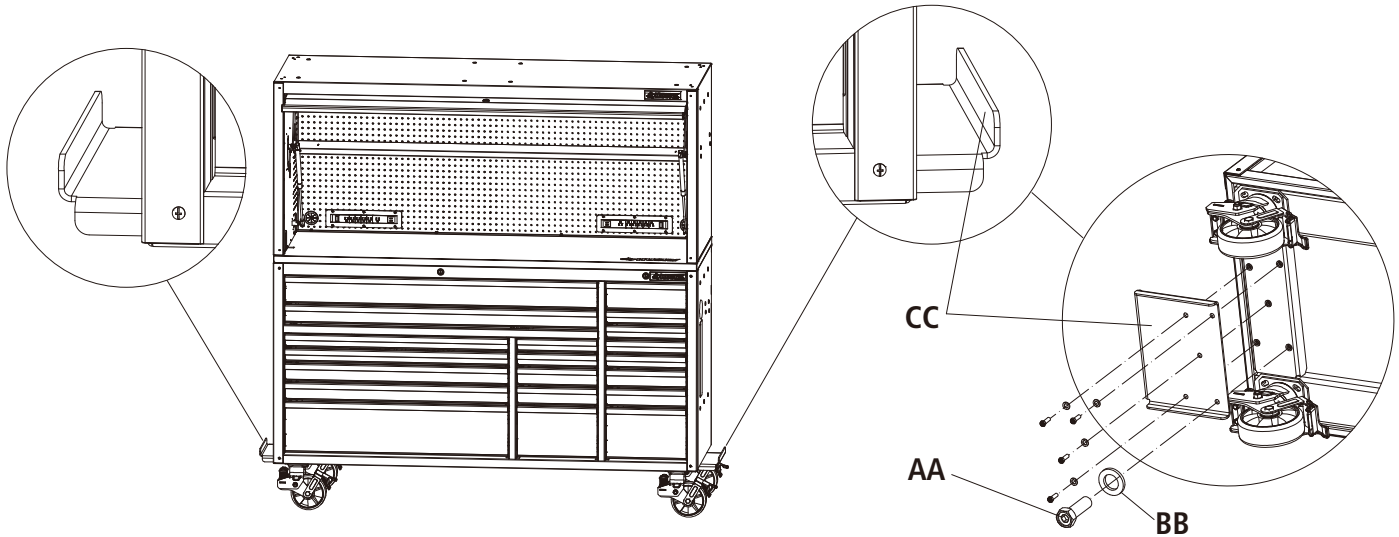
- Attach the Support Base Plate (CC) to the bottom of the Workbench by inserting 5 M8 (AA) and washers (BB) through the Base Plate (CC). Use the Hex Key (HH) to tighten the bolts to the bottom frame .

Note: If assembling Locker (A) to the left side of the Workbench, then Base Supported will mount to the left side.

If assembling Locker (A) to the right side of the Workbench, then Base Supported will mount to the right side.



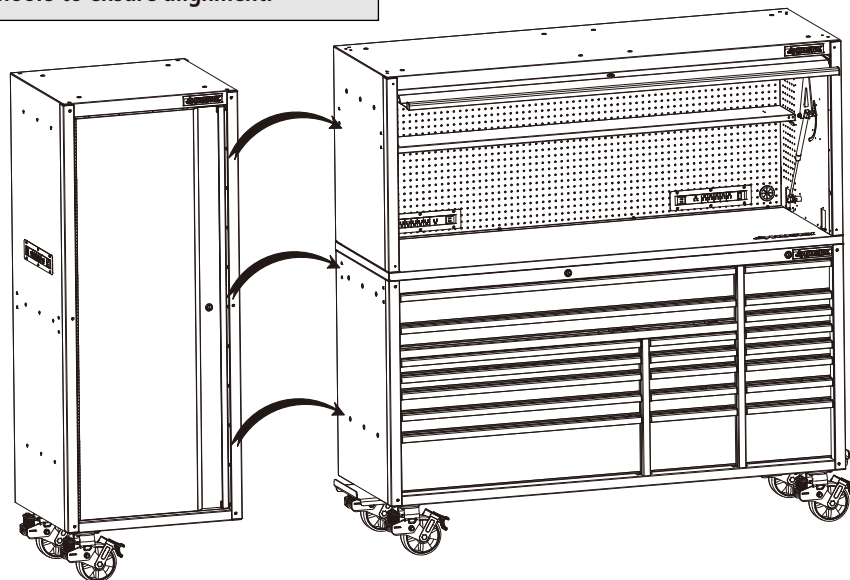
CAUTION: Do not turn over the 72 in. 20-Dr. Workbench for the installation of the Support Base Plate.



- Move and align the Workbench adjacent to the bottom of the Side Locker (A) and lock ALL wheels of the Workbench.
- With 2 or more people, gently lift up the Side Locker (A) to fully seat on the Support Base Plate (CC) to maintain balance. Then bring the units flush together ensuring proper alignment of the bolt attachment holes. Once aligned, lock the 2 Swivel Casters (B) on the Side Locker to prevent from moving.

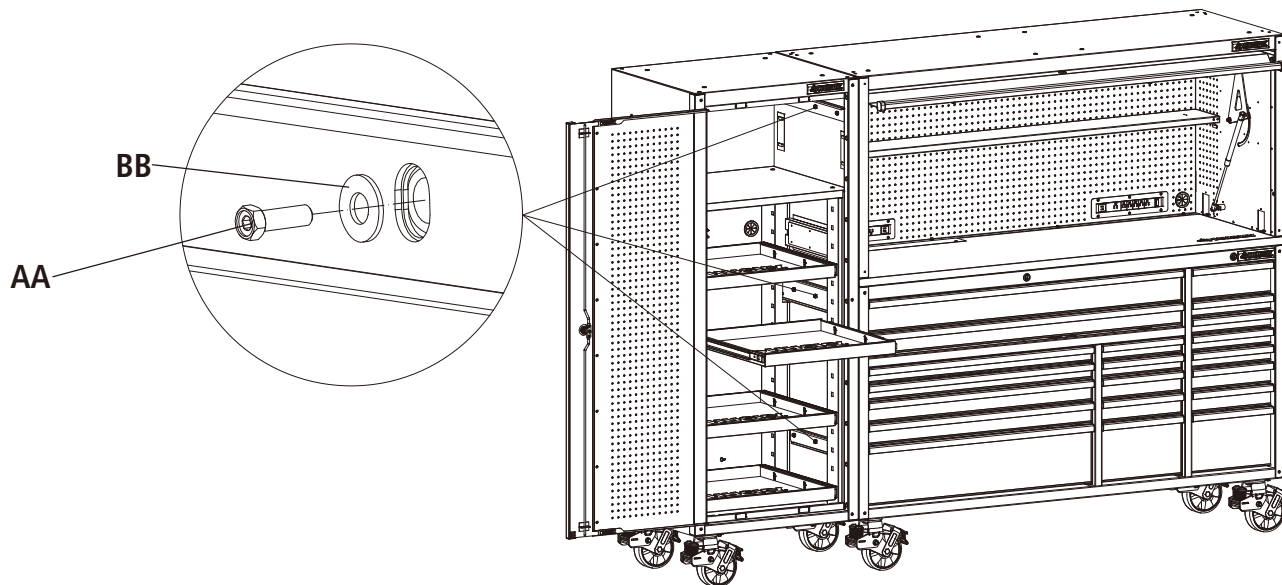


CAUTION: Do not push the side locker at this time to prevent tipping. Lock the caster wheels on the Workbench and Locker to prevent moving. Perform this step on even floors to ensure alignment.



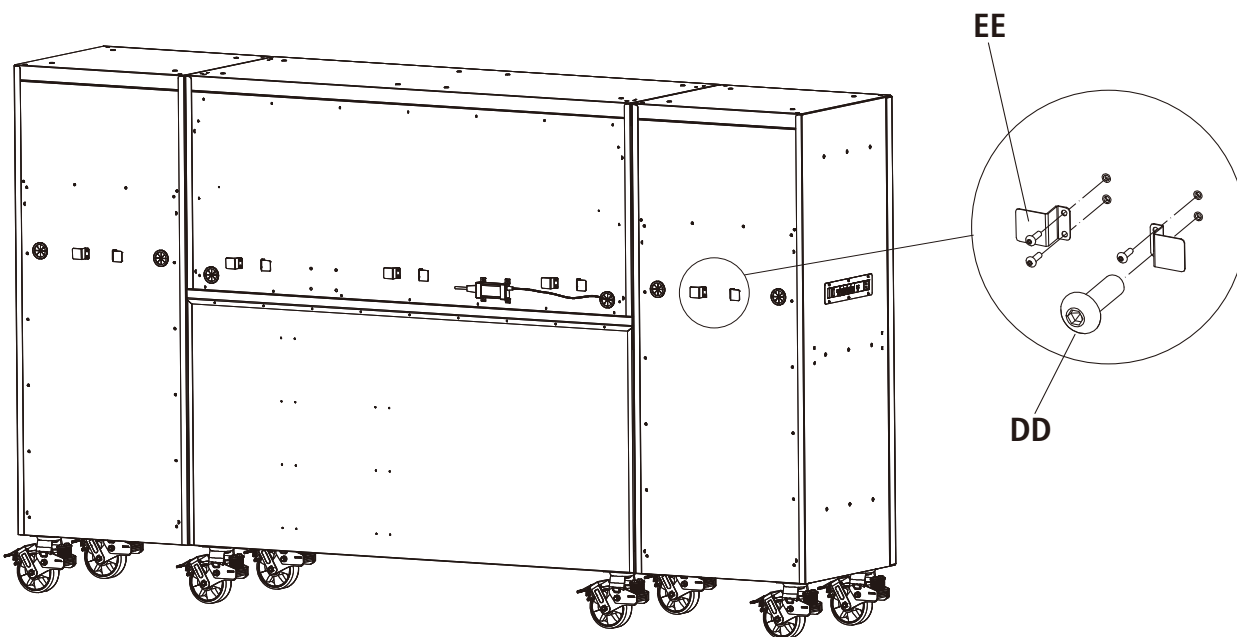
6 Attach Side Locker

- On the inside of the Side Locker (A) use 9 pcs M8 Bolts (AA) and Washers (BB) to attach to the Workbench, and Hutch.
- Only 6 M8 Bolts (AA) will be used if installing to the Workbench without the Hutch.
- Do not fully tighten until all bolts are installed.
- Ensure the front and top edges of the Side Locker (A) are flush with the Workbench and Hutch, then securely tighten all Bolts (AA).



7 Attach the Storage hooks

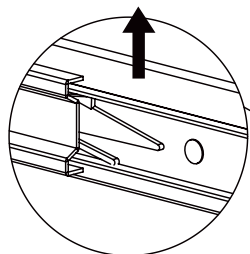
- Install the Storage Hooks (EE) on the back of the Side Locker (A) with 4 pcs Hexagon socket button cap bolts (DD).
- Wrap any loose or excess cord around the cord Storage Hooks.



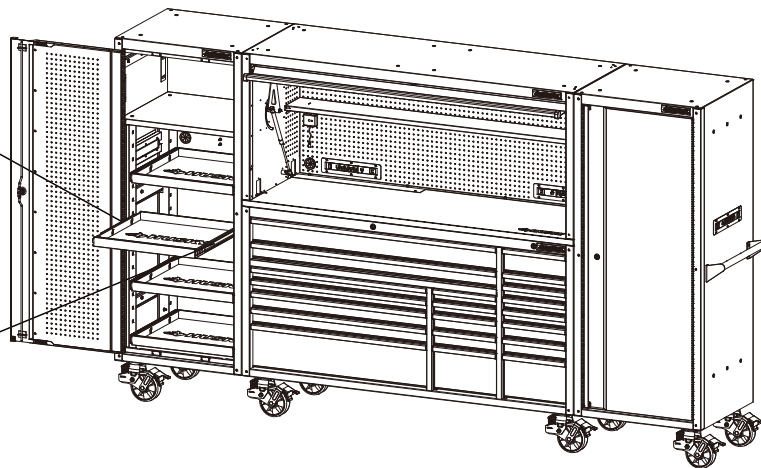
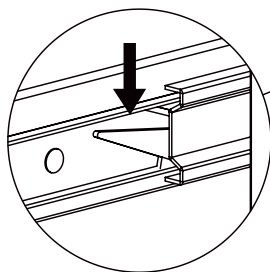
8 Adjustable Height Sliding Trays

To adjust the height of the sliding trays:

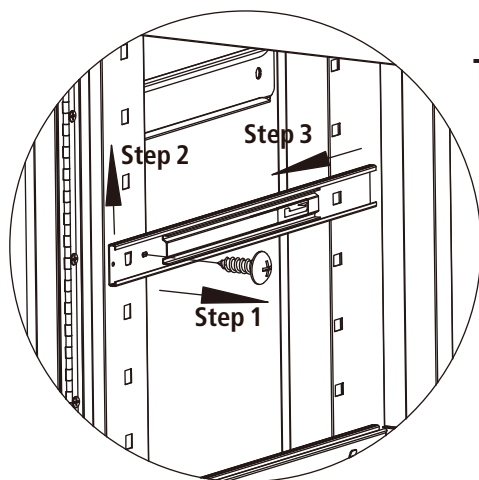
- Remove by fully extending the empty tray.
- Push up on one slide release lever while pulling down on the other release lever.
- Gently pull the tray outward until it releases from the outer slides.



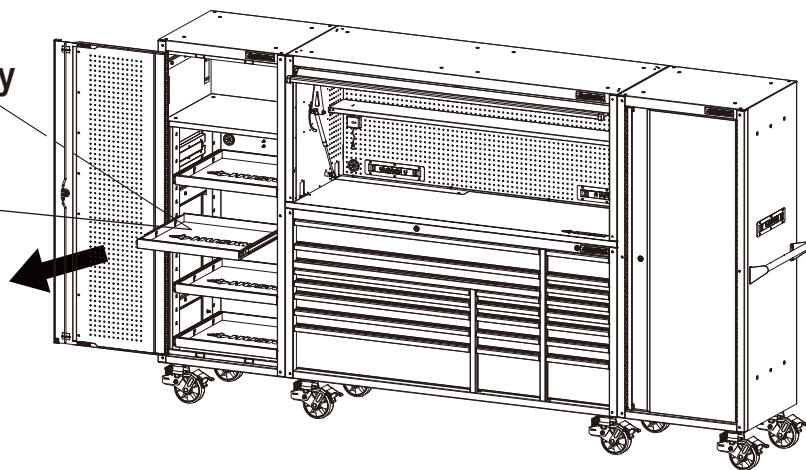
Drawer slide release lever



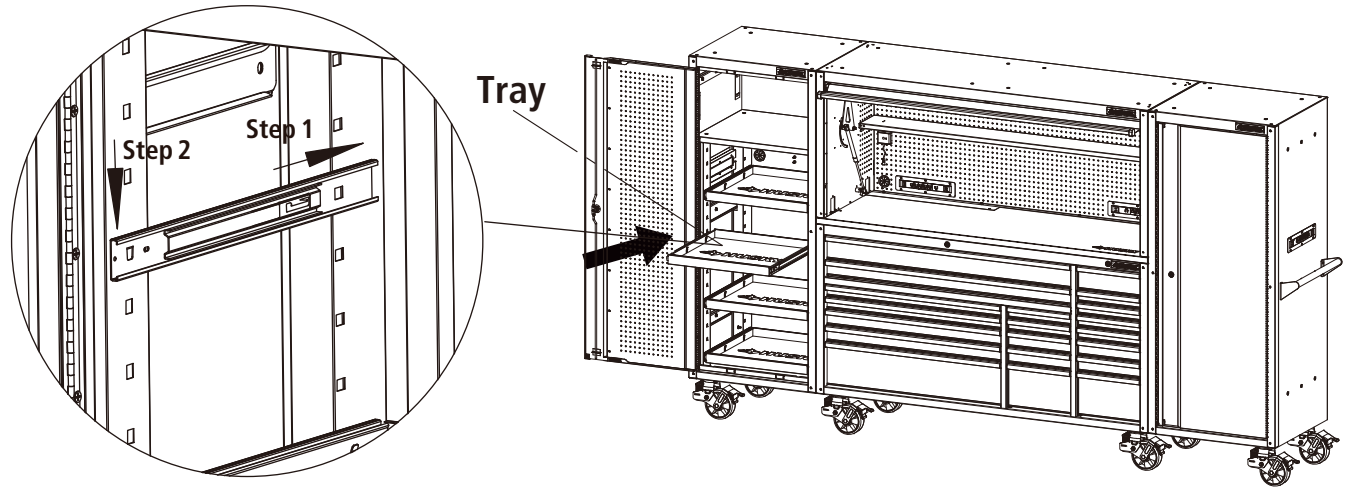
- Remove the Phillips head shipping screw at the front of the outer slide. This screw can be discarded as it's not needed for the tray operation.
- Push up at the front of the slide and then pull straight out to remove the outer slide from the Locker side wall. Repeat this process for the other side.



Tray



- At the desired height, re-install the outer slides by pushing the rear clip into the back channel support, then pushing the front clip down into the front support. Repeat this process for the other side. Ensure the slides are properly seated and level.
- Fully extend the slides out and gently insert the inner slide brackets of the tray into the outer slides, being careful they are properly aligned.
- Once properly inserted, completely close the tray to set the slides in their proper position and lock into the soft close mechanism.

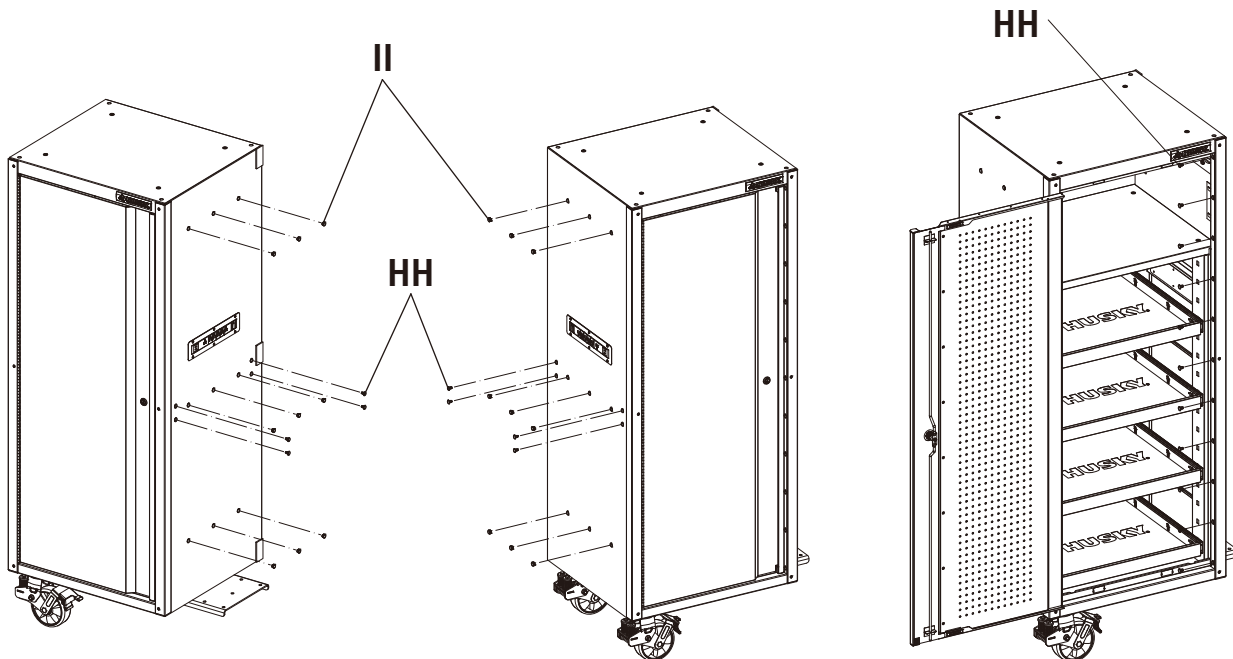


9 Adding Drawer Liner Adhesive Tape

- Use 4 pcs of Drawer Liner Adhesive Tape (JJ) to help secure the drawer liners in each drawer. The tape helps prevent shifting of the drawer liner during normal use.

10 Remove the plastic plug (Optional)

- Remove the 19 plastic plugs (HH) and 18 plastic plugs (II) from the side locker side panels and front if needed.



11 Kwikset Smartkey® Lock Operation

- This product has been equipped with the Kwikset Smartkey® locks which allow you to easily program each lock cylinder to a specific key code to match other Kwikset keyed products.
- Please see Kwikset Smartkey® supplemental instructions for keying and re-keying the locks.

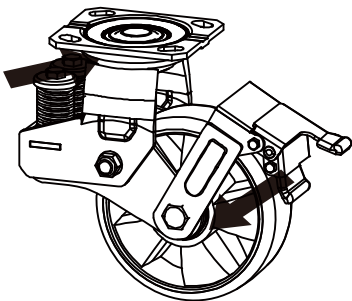
Cordless Power Tool Battery Chargers

- See Charger's Owner's Manual for proper use and care of charger and batteries. Follow all Warnings and Instructions provided with your battery charger.
- Place chargers and electrical connections in till.
- Chargers are for use in dry locations only. Do NOT expose to liquid, vapor, or rain. Should your charger become wet, Do NOT attempt to use. Unplug extension cord from supply before handling wet charger or cords.
- Only use chargers and batteries that are intact and operating properly.
- Do NOT touch metal prongs when plugging charger into extension cord.
- Keep flammable materials like paper or rags away from charger, cords or connections.
- Do NOT place or attempt to charge lead acid, car type batteries in Side Locker.

Maintenance

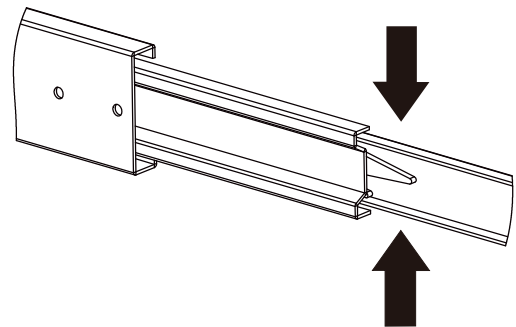
1 Caster maintenance

- Grease the casters annually using high-quality bearing grease.



2 Drawer maintenance

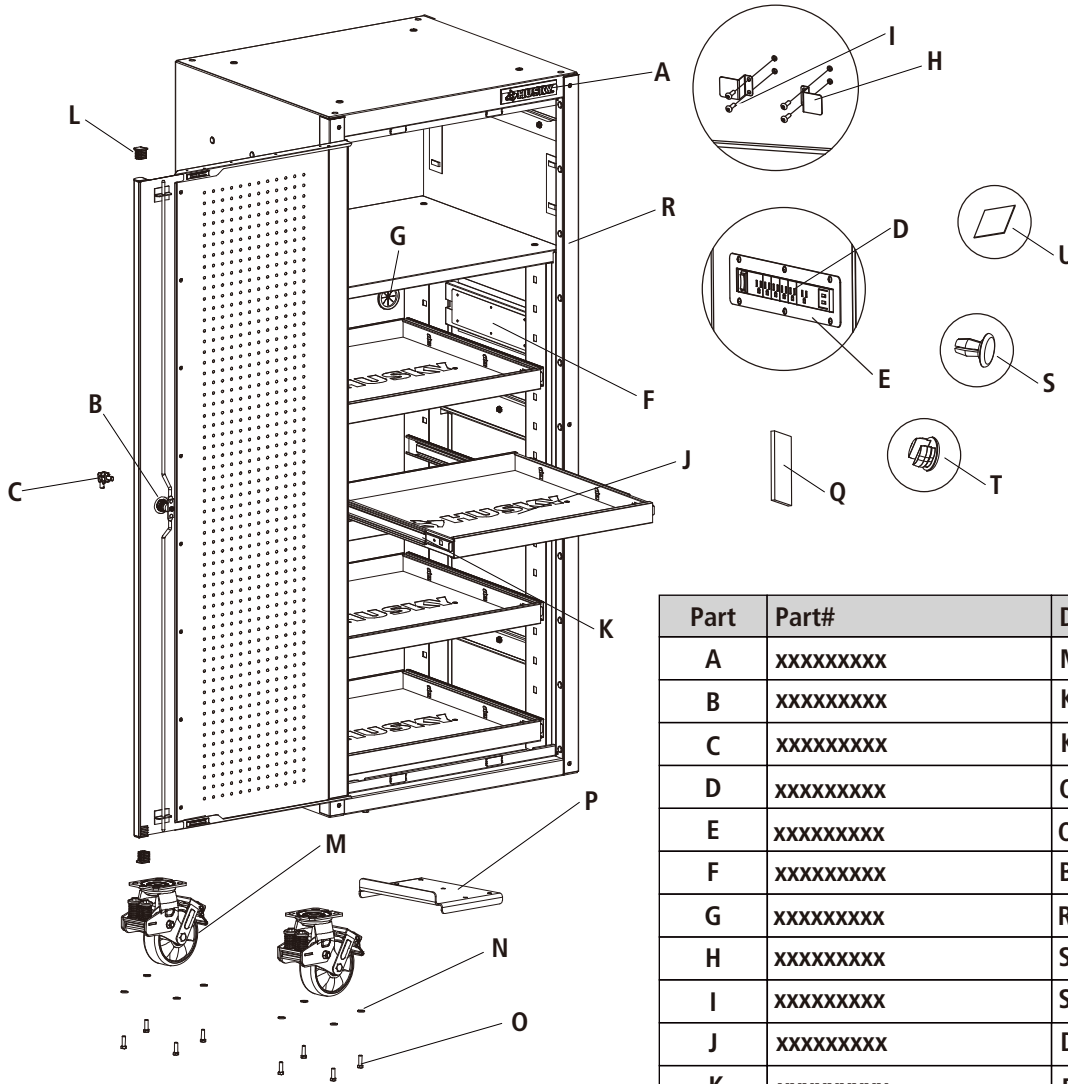
- Lubricate the slides semi-annually with high-quality bearing grease.



- Periodically clean the drawer fronts, drawer trim, and other surfaces with a mild detergent and water.
- Remove grease and oil with a standard nonflammable cleaning fluid.
- This product has been coated with an industrial UV-resistant power coating for a durable and long lasting finish. To help protect the coating, do not allow harsh chemicals to remain on the surface for extended periods of time.

Replacement Parts

For assistance with replacement parts please call 1-888-HD-HUSKY.



Part	Part#	Description	Quantity
A	XXXXXXXXXX	Magnetic Badge	1
B	XXXXXXXXXX	Kwikset Smartkey® Lock	1
C	XXXXXXXXXX	Key	2
D	XXXXXXXXXX	Outlet	1
E	XXXXXXXXXX	Outlet Panel Cover	1
F	XXXXXXXXXX	Blank Plate	1
G	XXXXXXXXXX	Rubber Grommet	2
H	XXXXXXXXXX	Storage Hook	2
I	XXXXXXXXXX	Storage Hook Bolt	4
J	XXXXXXXXXX	Drawer Liner	4
K	XXXXXXXXXX	Drawer Slide (pairs)	4
L	XXXXXXXXXX	Door Handle Cap	2
M	XXXXXXXXXX	Swivel Caster	2
N	XXXXXXXXXX	Caster Washer	8
O	XXXXXXXXXX	Caster Bolt	8
P	XXXXXXXXXX	Support Base Plate	1
Q	XXXXXXXXXX	EVA Spacer	3
R	XXXXXXXXXX	Aluminum Edge Guard	2
S	XXXXXXXXXX	Plastic Plug (M6)	19
T	XXXXXXXXXX	Plastic Plug (ø15mm)	18
U	XXXXXXXXXX	Drawer Liner Adhesive Tape	16



Questions, problems, missing parts? Before returning to the store call
Husky Customer Service
8 a.m. - 7 p.m., EST, Monday-Friday
9 a.m. - 6 p.m., EST, Saturday

1-888-HD-HUSKY

HUSKYTOOLS.COM

Retain this manual for future use.